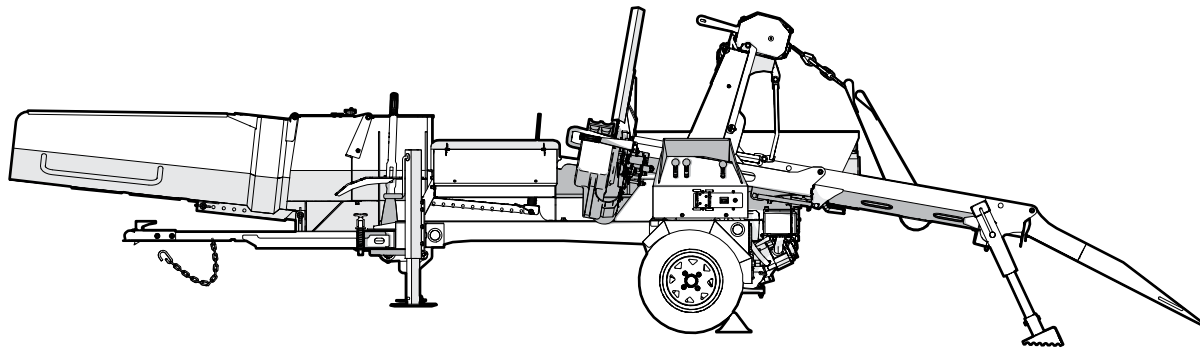


# PARTS MANUAL

---

Serial number 1101429 and up

## WP875 Firewood Processor



---

Revision D Apr-2024

Part Number: 2251T005

**WALLENSTEIN**

# Table of Contents

<b>Introduction .....</b>	<b>3</b>
<b>Model and Serial Number Location.....</b>	<b>3</b>
<b>Splitter Chute Assembly .....</b>	<b>4</b>
<b>Lead In Chute Assembly.....</b>	<b>5</b>
<b>Log Hold Down Assembly .....</b>	<b>6</b>
<b>Splitter Assembly .....</b>	<b>7</b>
<b>Log Chute Assembly .....</b>	<b>8</b>
<b>Running Gear .....</b>	<b>9</b>
<b>Running Gear Callout Table .....</b>	<b>10</b>
<b>Hydraulic Splitter Assembly .....</b>	<b>11</b>
<b>Engine and Pump Assembly.....</b>	<b>12</b>
<b>Hydraulic Winch .....</b>	<b>13</b>
<b>Hydraulic Winch Drum .....</b>	<b>14</b>
<b>Panel Assembly.....</b>	<b>15</b>
<b>Tool Box Lid .....</b>	<b>16</b>
<b>Lights and Harness .....</b>	<b>17</b>
<b>Valve Assembly .....</b>	<b>18</b>
<b>Hudraulic Circuit .....</b>	<b>19</b>
<b>Chain Saw Adapter.....</b>	<b>20</b>
<b>Label Locations .....</b>	<b>21</b>
<b>Label Locations .....</b>	<b>22</b>
<b>Label Locations .....</b>	<b>23</b>
<b>Accessories .....</b>	<b>24</b>
<b>Accessories .....</b>	<b>25</b>
<b>Bolt Torque .....</b>	<b>26</b>
<b>Hydraulic Fitting Torque.....</b>	<b>27</b>
<b>Lug Nut Torque .....</b>	<b>27</b>

## Introduction

### **! WARNING!**

For safety, operation, and maintenance information, see the Operator's Manual for your product.

Only qualified people are approved to maintain the machine.

### **! WARNING!**

Replace all safety labels that are missing, damaged, or illegible. If a component is replaced and it has a safety label on it, apply a safety label to the new component. Operating the machine with missing, damaged, or illegible safety labels puts the operator at risk of serious injury or death.

W100

This document provides information about the original equipment manufacturer (OEM) components (parts). Always replace a part with the correct OEM part. For service, support, or to order parts, contact your local Wallenstein Equipment dealer or distributor.

Always provide the model and serial number of your Wallenstein product when you order parts, or request service or other information. The model and serial number location is shown in the following illustration.

Record the model and serial number of your product here:

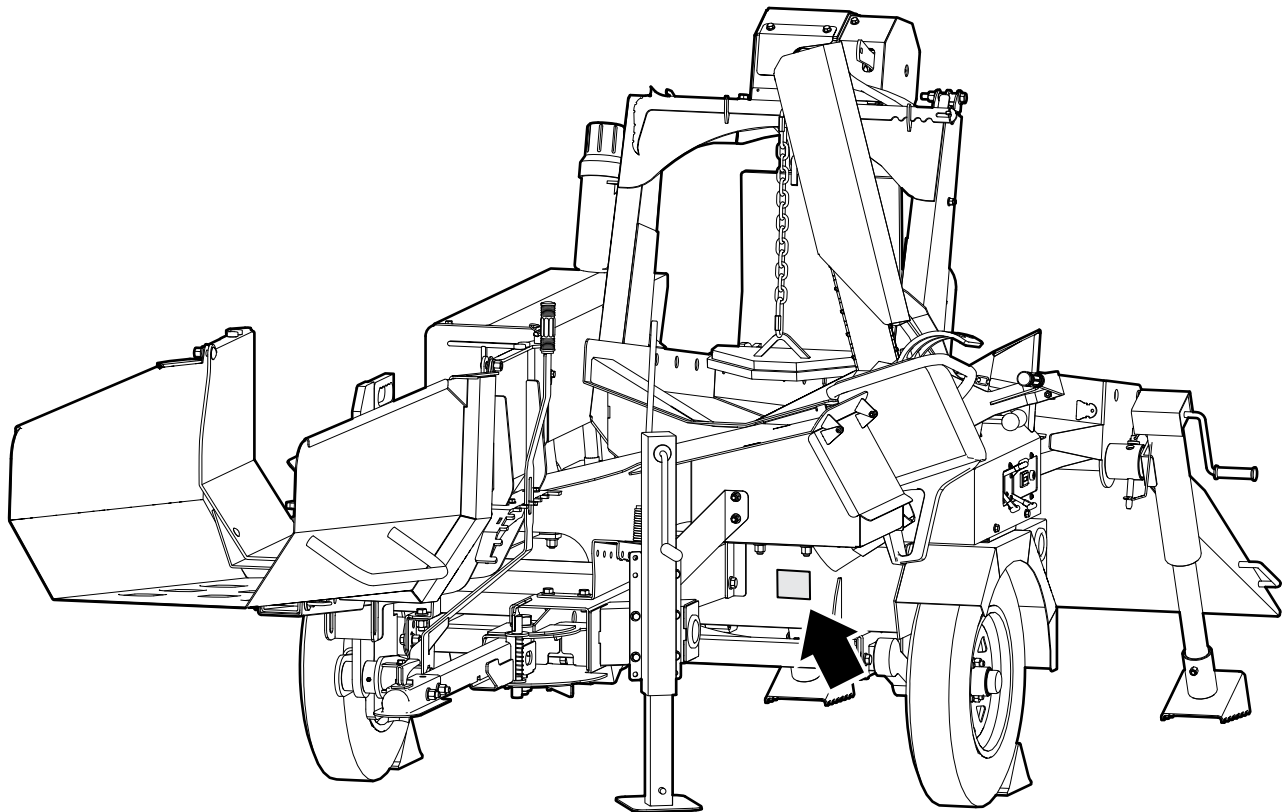
Model	
Serial Number	

The information contained in this document was current at the revision date noted on the bottom of each page. Wallenstein Equipment reserves the right to change product specifications at any time without notice. If your product specifications are different from the information in this document, contact your local dealer or distributor. To find a local dealer or distributor, go to [WallensteinEquipment.com](http://WallensteinEquipment.com) and select **Dealer Locator** at the bottom of the page.

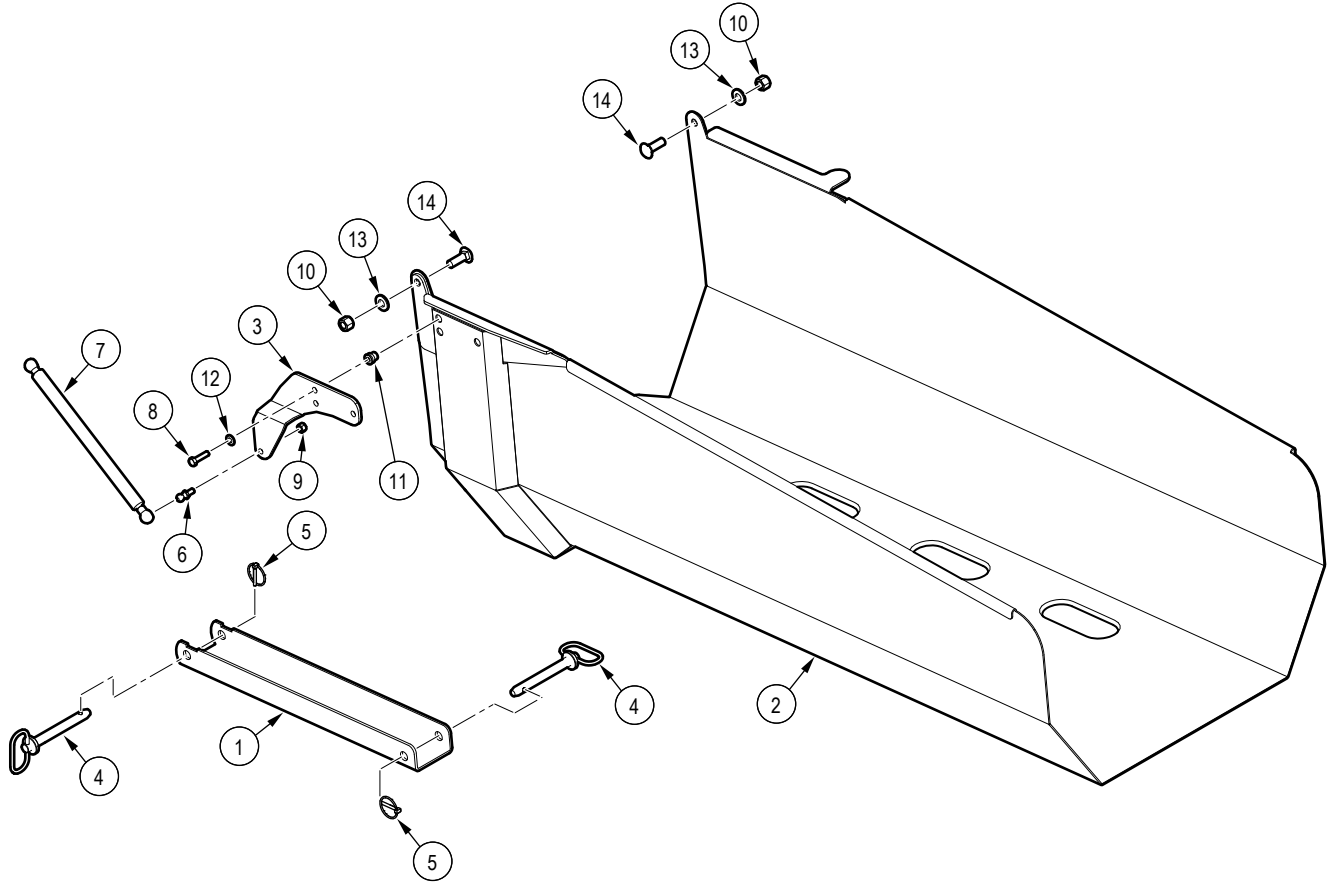
**Wallenstein Equipment Inc. • © 2024. All rights reserved.**

No part of this work may be copied, reproduced, replaced, distributed, published, displayed, modified, or transferred in any form or by any means except with the prior permission of Wallenstein Equipment Inc.

## Model and Serial Number Location



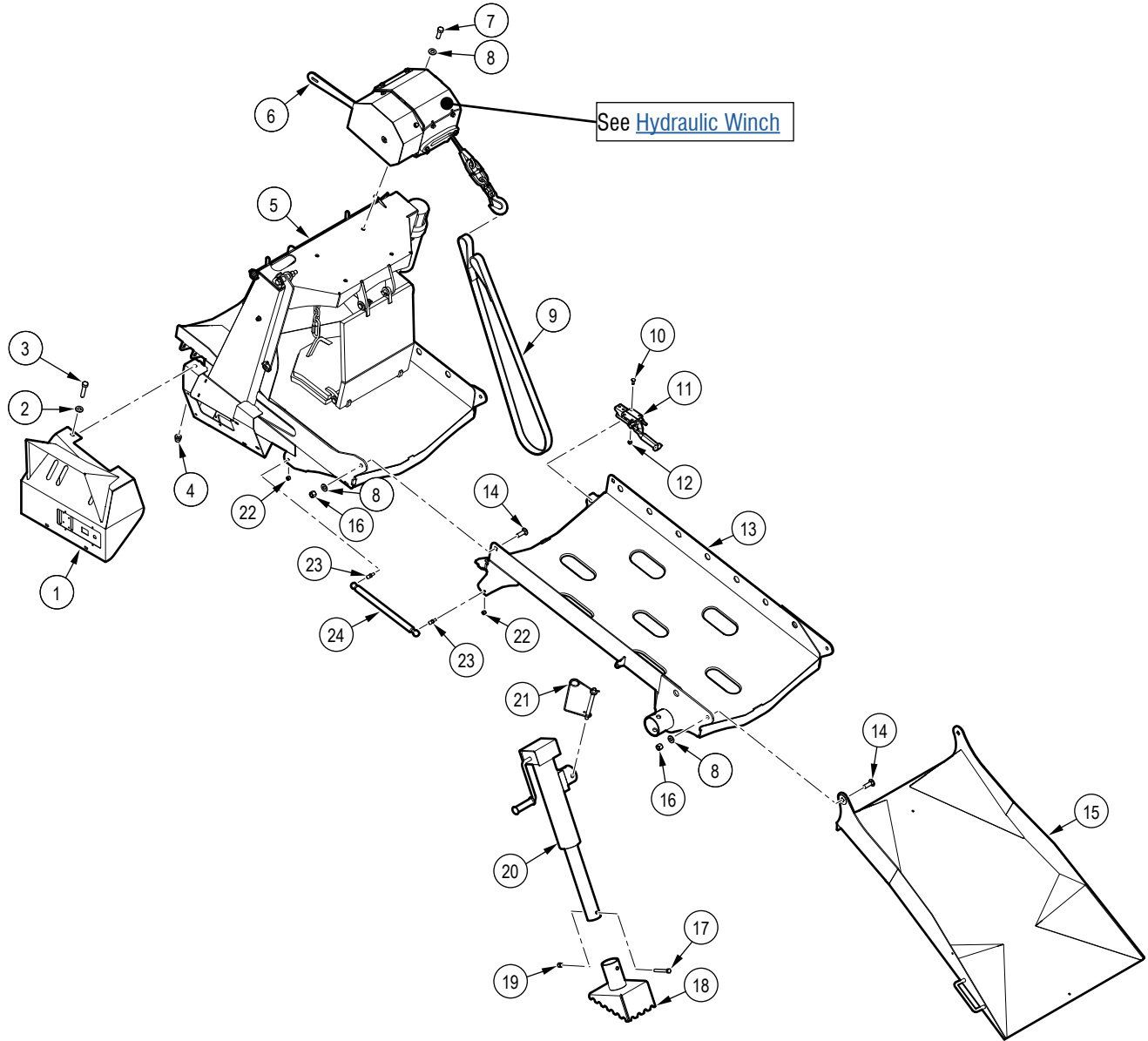
# Splitter Chute Assembly



Item	Part number	Description	Quantity
1	2071W114	Chute Adjuster	1
2	2251W065	Splitter Chute	1
3	2251L208	Plate, Spring Mount	1
4	Z11232	Hitch Pin, 5/8" x 4-1/4"	2
5	Z12110	Lynch Pin, 3/16"	2
6	Z34204	Ball Stud, 13mm x 5/16NC	2
7	Z34216	Gas Spring, 10mm OD x 540mm x 215mm x 250 lbs	1

Item	Part number	Description	Quantity
8	Z71212	Hex Bolt, 5/16NC x 1-1/4	3
9	Z72221	Hex Lock Nut, 5/16NC	2
10	Z72251	Hex Lock Nut, 1/2NC	2
11	Z72956	Rivet Nut, 5/16NC x 150	3
12	Z73122G8	SAE Washer, 5/16" Grade 8	3
13	Z73151G8	SAE Washer, 1/2" Grade 8	2
14	Z76251	Carriage Bolt, 1/2NC x 1-1/2"	2

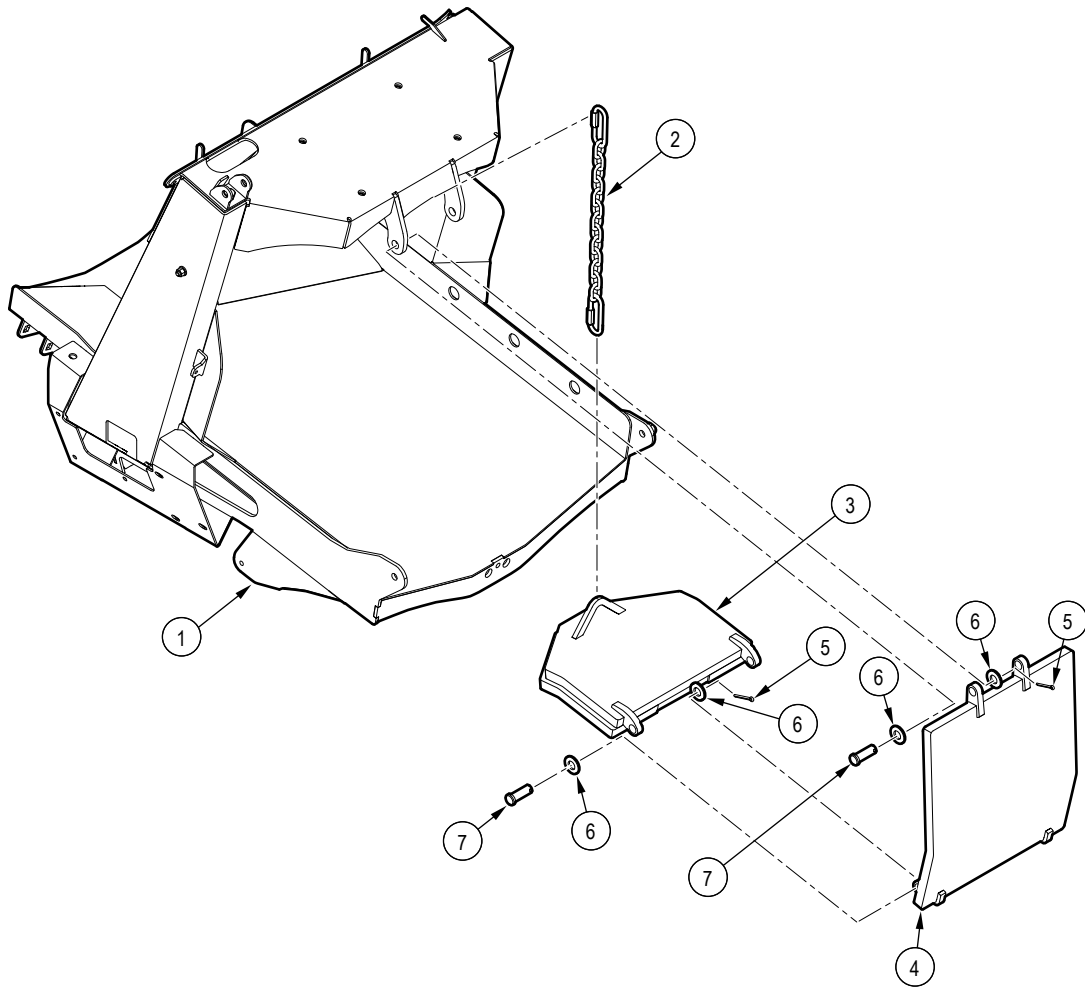
# Lead In Chute Assembly



Item	Part number	Description	Quantity
1	2251W076	Valve Cover	1
2	Z73122G8	SAE Washer, 5/16" Grade 8	3
3	Z71212	Hex Bolt, 5/16NC x 1-1/4"	3
4	Z72956	Rivet Nut, 5/16NC x 150	3
5	2251W063	Chute, Log WP 200	1
6	2251A055	Hydraulic Winch Assembly	1
7	Z71515	Hex Bolt, 1/2NC x 1-1/2"	4
8	Z73151G8	SAE Washer, 1/2" Grade 8	8
9	Z92405	Winching Strap, 1" x 5ft	1
10	Z76211	Carriage Bolt, 1/4NC x 3/4"	8
11	Z19511	Handle Clamp, Latch Type x 2-Piece	2
12	Z72511	Serrated Flange Locknut, 1/4NC	8

Item	Part number	Description	Quantity
13	2251W070	Chute, Bottom	1
14	Z76251	Carriage Bolt, 1/2NC x 1-1/2"	4
15	2251W055	Chute, Lead In	1
16	Z72251	Hex Lock Nut, 1/2NC	4
17	Z71330	Hex Bolt, 3/8NC x 3"	2
18	2251W066	Foot, Jack	2
19	Z72231	Hex Lock Nut, 3/8NC	2
20	Z91515	Trailer Jack, Side Wind x 2000lbs No Foot	2
21	Z12441	Snap Lock Pin, 1/2" x 4-1/2"	2
22	Z72221	Hex Lock Nut, 5/16NC	4
23	Z34204	Ball Stud, 13mm x 5/16NC	4
24	Z34216	Gas Spring, 10mm OD x 540mm x 215mm x 250 lbs	2

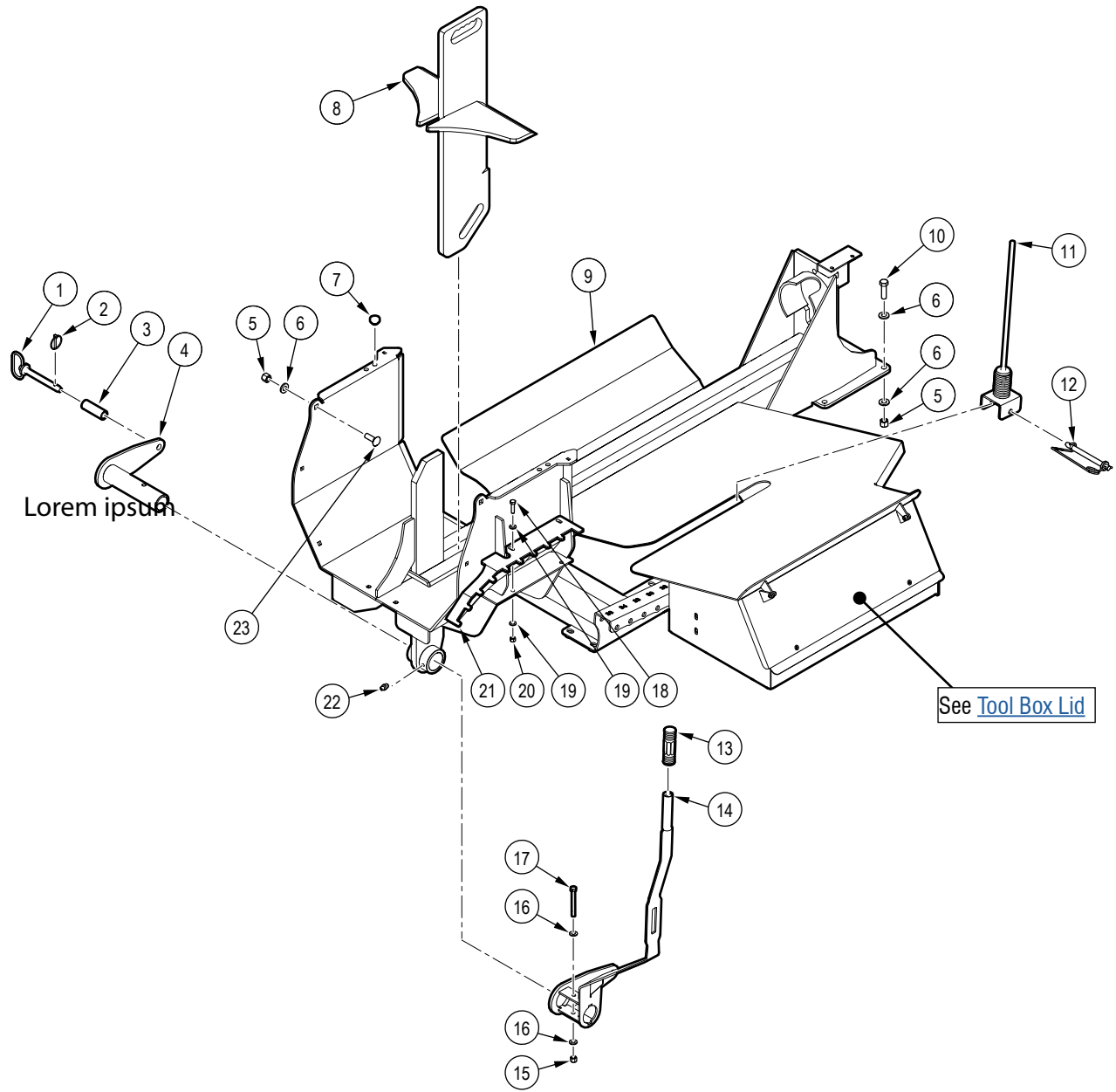
# Log Hold Down Assembly



Item	Part number	Description	Quantity
1	2251W063	Chute, Log WP 200	1
2	Z92311	Chain, 1/4" x 21" with Two Quicklinks	1
3	2251W074	Weldment, Lower Log Hold Down	1
4	2251W073	Weldment, Upper Log Hold Down	1

Item	Part number	Description	Quantity
5	Z12311	Cotter Pin, 1/8" x 1"	4
6	Z73161G8	SAE Washer, 5/8" Grade 8	4
7	Z11361	Clevis Pin, 5/8" x 1-1/2"	4

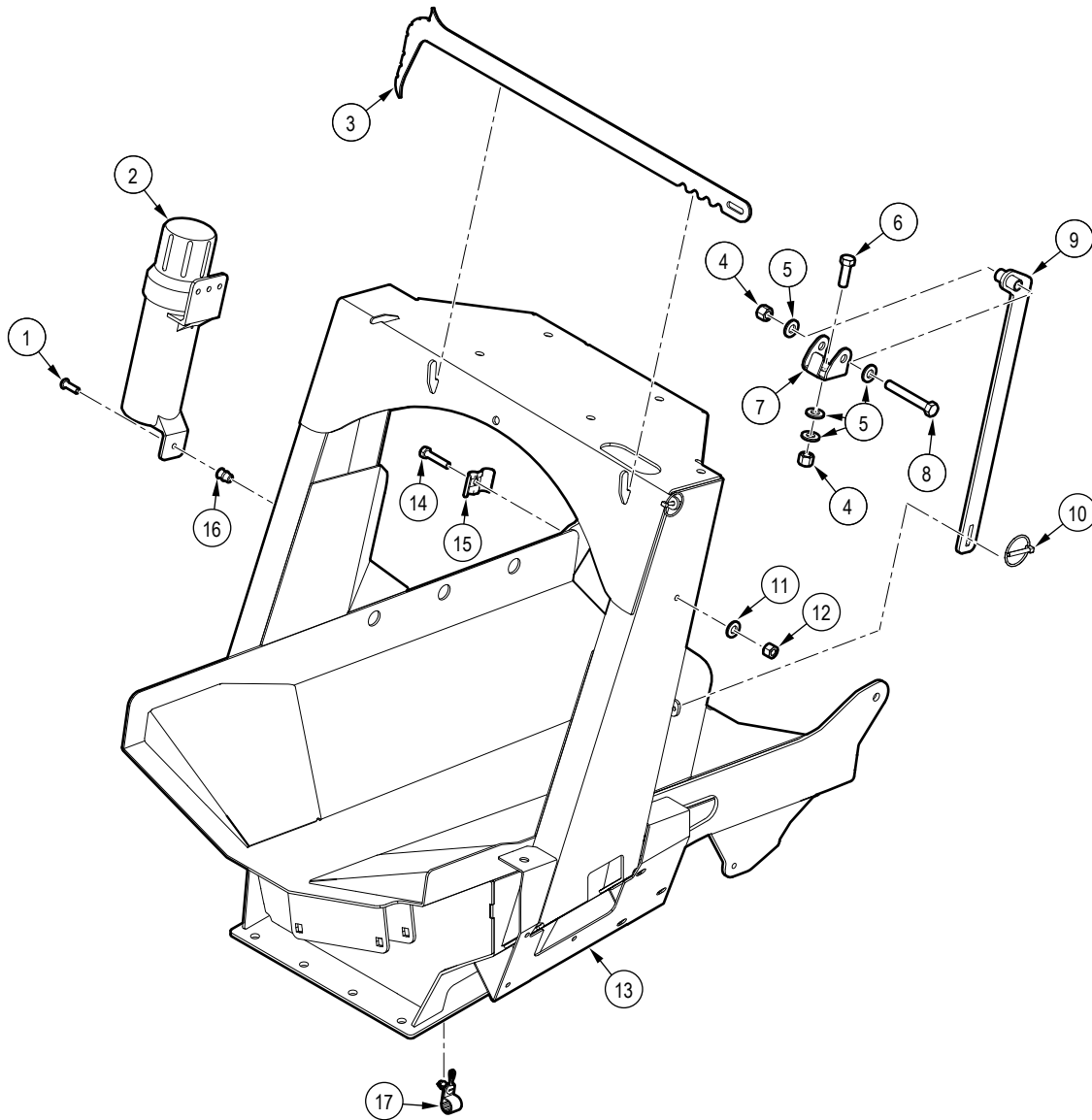
# Splitter Assembly



Item	Part number	Description	Quantity
1	Z11232	Hitch Pin, 5/8" x 4-1/4"	1
2	Z12110	Lynch Pin, 3/16"	1
3	2071M123	Roller Wedge Lift	1
4	2251W072	Arm Wedge Lifter	1
5	Z72251	Hex Lock Nut, 1/2NC	6
6	Z73151G8	SAE Washer, 1/2" Grade 8	10
7	Z19909	Rubber Bumper, 7/16" x 1"	4
8	2071W532	Wedge 4 Way	1
9	2251W548	Weldment, Main Frame	1
10	Z71517	Hex Bolt, 1/2NC x 1-3/4"	4
11	2071W190	Log Stop Whip	1
12	Z12441	Snap Lock Pin, 1/2" x 4-1/2"	1

Item	Part number	Description	Quantity
13	Z19321	Handle Grip, 1"	1
14	2251W071	Lever, Wedge Lift	1
15	Z72231	Hex Lock Nut, 3/8NC	1
16	Z73131G8	SAE Washer, 3/8" Grade 8	2
17	Z71332	Hex Bolt, 3/8NC x 3-1/4"	1
18	Z71212	Hex Bolt, 5/16NC x 1-1/4"	2
19	Z73122G8	Z73122G8	4
20	Z72221	Hex Lock Nut, 5/16NC	2
21	2251L182	Tooth Bar	1
22	Z29202	Grease Fitting, 1/4NF	1
23	Z76251	Carriage Bolt, 1/2NC x 1-1/2"	2

# Log Chute Assembly

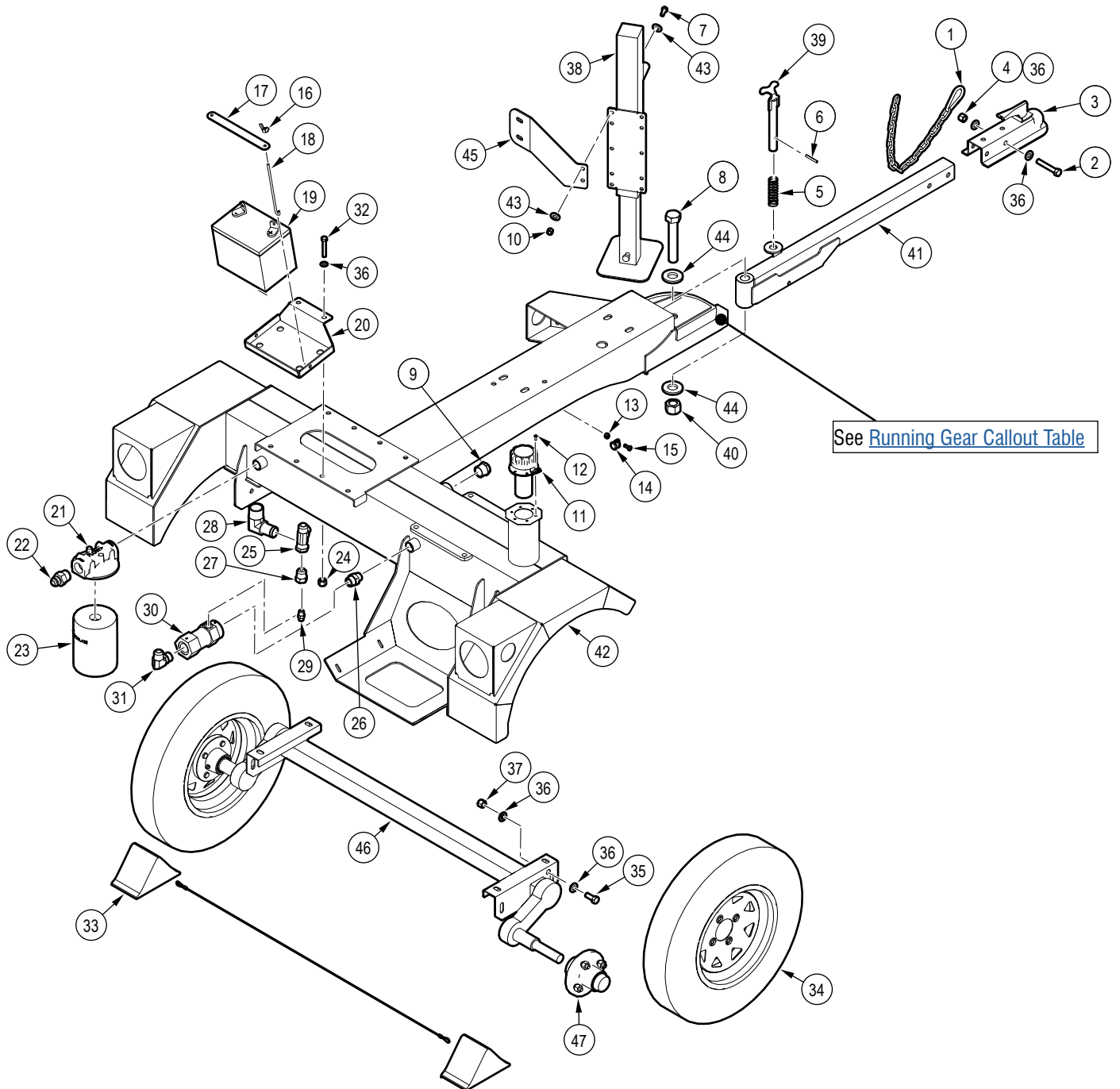


Item	Part number	Description	Quantity
1	Z78301	BHCS, 1/4NC x 3/4", Hex Drive	3
2	Z96503	Manual Tube, 3-1/2" Short	1
3	2250L223	Hookaroon, 30"	1
4	Z72251	Hex Lock Nut, 1/2NC	2
5	Z73151G8	SAE Washer, 1/2" Grade 8	4
6	Z71515	Hex Bolt, 1/2NC x 1-1/2"	1
7	2071L123	Clevis, Latch Mount	1
8	Z71535	Hex Bolt, 1/2NC x 3-1/2"	1
9	2071W121	Latch, Bottom Chute	1

Item	Part number	Description	Quantity
10	Z12110	Lynch Pin, 3/16"	1
11	Z73122G8	SAE Washer, 5/16" Grade 8	1
12	Z72221	Hex Lock Nut, 5/16NC	1
13	2251W063	Chute, Log WP200	1
14	Z71215	Hex Bolt, 5/16NC x 1-1/2"	1
15	2250L286	Hose Clamp, 2 x 3/8"	1
16	Z72962	Rivet Nut, 1/4NC x 260	3
17	Z62828	Cable Clamp, P-Type Push In 1/2"	2



# Running Gear

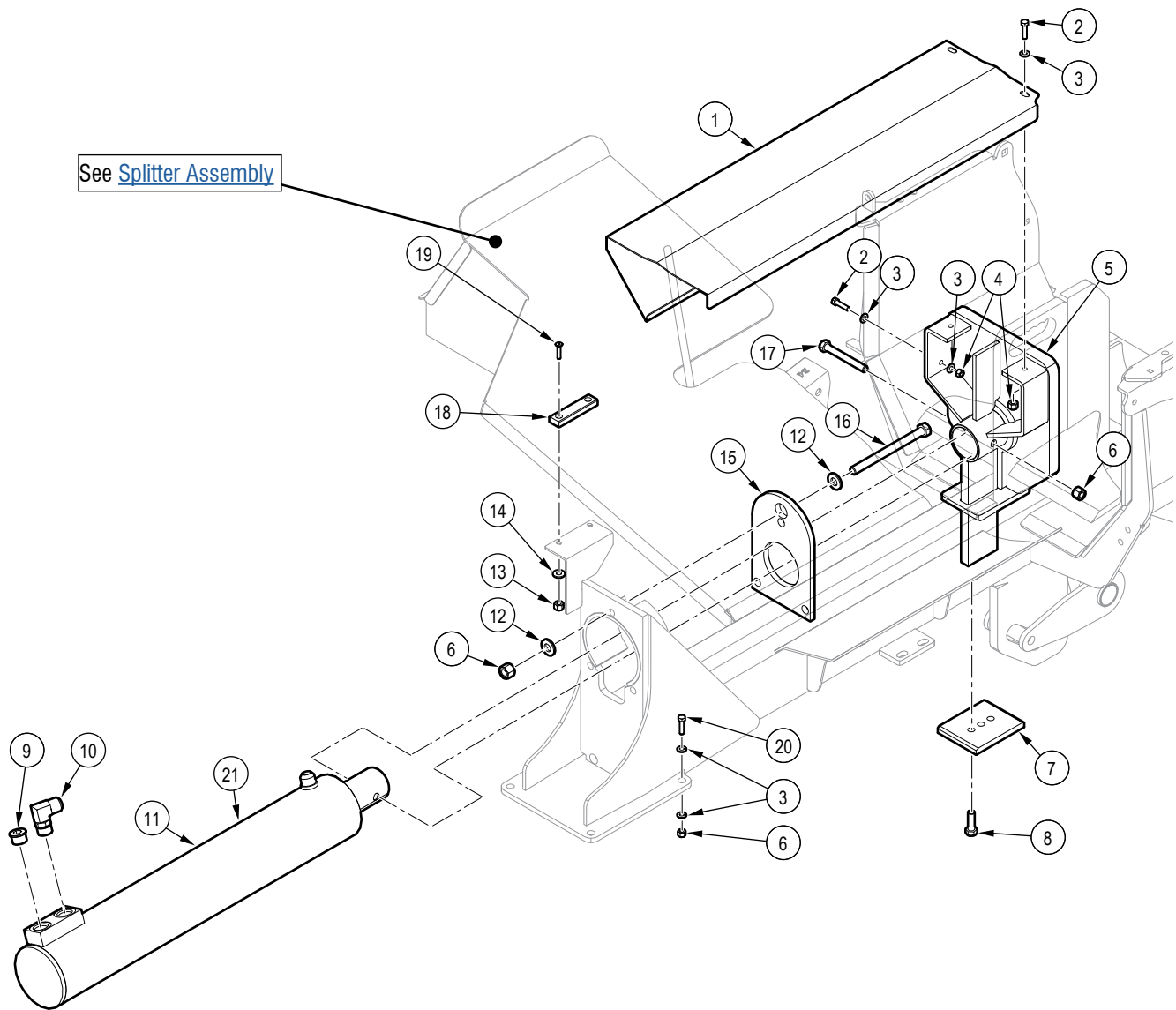


## Running Gear Callout Table

Item	Part number	Description	Quantity
1	Z92303	Safety Chain, 1/4" Gr43 x 2ft x 6,000lbs	2
2	Z71535	Hex Bolt, 1/2NC x 3-1/2"	
3	Z91614	Hitch Coupler, 2" Ball x 2" x 3500lbs	1
4	Z72251	Hex Lock Nut, 1/2NC	
5	Z32307	Comp Spring, 1.100" OD x 3-1/2" x 0.080"	1
6	Z14172	Roll Pin, 1/4" x 1-3/4"	1
7	Z71310	Hex Bolt, 3/8NC x 1"	8
8	Z71919	Hex Bolt, 1NC x 6"	1
9	Z55901	Site Glass, MP16	1
10	Z72231	Hex Lock Nut, 3/8NC	
11	Z55403	Filler Breather Cap x 400um Locking	1
12	Z78303	Machine Screw, #10NF x 1/2"	6
13	Z72211	Hex Lock Nut, 1/4NC	2
14	Z62819	Rubberized Wire Clamp, 1/2"	2
15	Z78301	BHCS, 1/4NC x 3/4", Hex Drive	2
16	Z72921	Wing Nut, 1/4NC	2
17	Z93207	Hold-Down Strap, 1" x 8-1/2"	1
18	Z93202	J-Hook, 1/4" x 7"	2
19	Z93204	Battery, 325CCA	1
20	2251L021	Tray, Battery	1
21	Z55304	Filter Cap, MP16 x FP16	1
22	Z514403	Straight, MJIC x MP 1216	1
23	Z55303	Particulate Filter, FP16	1
24	Z72251	Hex Lock Nut, 1/2NC	2

Item	Part number	Description	Quantity
25	Z51597	Tee, MJIC x FJICX x MJIC 121212	1
26	Z51613	Straight, MORB x MP 1212	1
27	Z514905	Straight, FJIC x MJIC 0612	1
28	Z52672	Hose End x FJICX 1212	1
29	Z51929	Straight, MJIC x MORB 0606 x 0.047" Orifice	1
30	Z56408	Dump Valve	1
31	Z516501	Elbow 90, MJIC x MORB 1212	1
32	Z71515	Hex Bolt, 1/2NC x 1-1/2"	2
33	Z91903	Wheel Chock	2
34	Z91302	5.30-12 LRC 8PR P811 4on4"	2
35	Z71515	Hex Bolt, 1/2NC x 1-1/2"	4
36	Z73151G8	SAE Washer, 1/2" Grade 8	14
37	Z72251	Hex Lock Nut, 1/2NC	4
38	Z91551	Trailer Jack, Side Wind x 7000lbs	1
39	2251W040	Locking Pin, Tongue	1
40	Z72291	Hex Lock Nut, 1NC	1
41	2251W039	Weldment, Pivot Tongue	1
42	2251W061	Weldment, WP845 Tank	1
43	Z73131G8	SAE Washer, 3/8" Grade 8	8
44	Z73191G8	SAE Washer, 1" Grade 8	2
45	2251L223	Brace, Toolbox	1
46	Z91115	9 Full Flex Axle, 2200lbs x 54" HF	1
47	Z91206	Idler Hub Assembly, 1000lbs x 4on4" x 1-1/16"	2

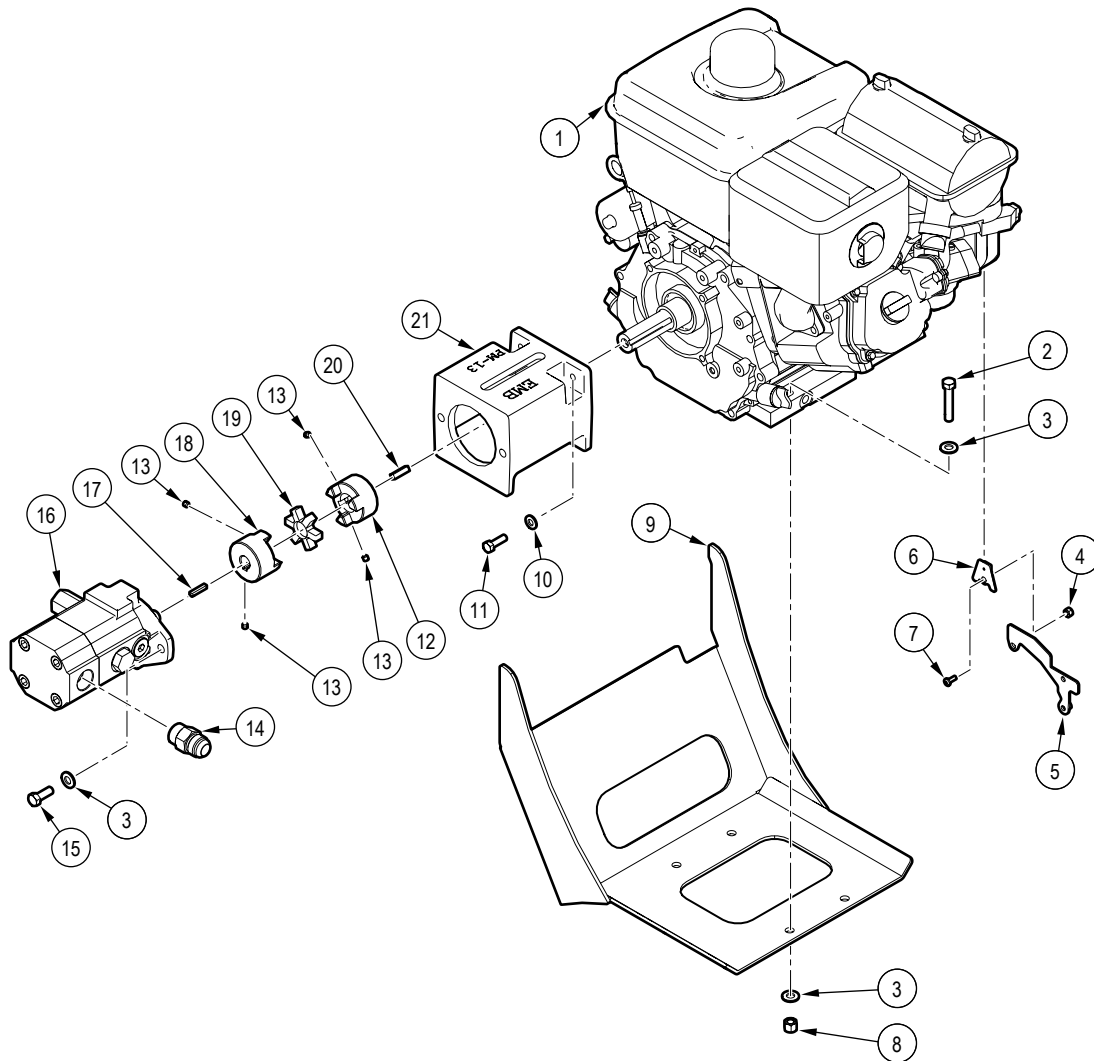
# Hydraulic Splitter Assembly



Item	Part number	Description	Quantity
1	2251L509	Cover, Sliding	1
2	Z71210	Hex Bolt, 5/16NC x 1"	3
3	Z73122G8	SAE Washer, 5/16" Grade 8	6
4	Z72221	Hex Lock Nut, 5/16NC	3
5	2251W069	Weldment, Hvy Push Block	1
6	Z72251	Hex Lock Nut, 1/2NC	8
7	2055S517	Cap, Push Block	1
8	Z71576G8	Hex Bolt, 1/2NF x 1-1/2" G8	1
9	Z516414	Straight, MJIC x MORB 1212	1
10	Z516501	Elbow 90, MJIC x MORB 1212	1
11	2251C5014	Barrel, 4-1/2"	1

Item	Part number	Description	Quantity
12	Z73151G8	SAE Washer, 1/2" Grade 8	14
13	Z72211	Hex Lock Nut, 1/4NC	2
14	Z73111G8	SAE Washer, 1/4" Grade 8	2
15	2071L215	Plate, Cylinder Retaining	1
16	Z71560	Hex Bolt, 1/2NC x 6"	3
17	Z71540	Hex Bolt, 1/2NC x 4"	1
18	1022S208	Rotor Hood Slide	1
19	Z75214	FHCS, 1/4NC x 1-1/4"	2
20	Z71517	Hex Bolt, 1/2NC x 1-3/4"	4
21	SLK-4525	Seal Kit (not shown)	1

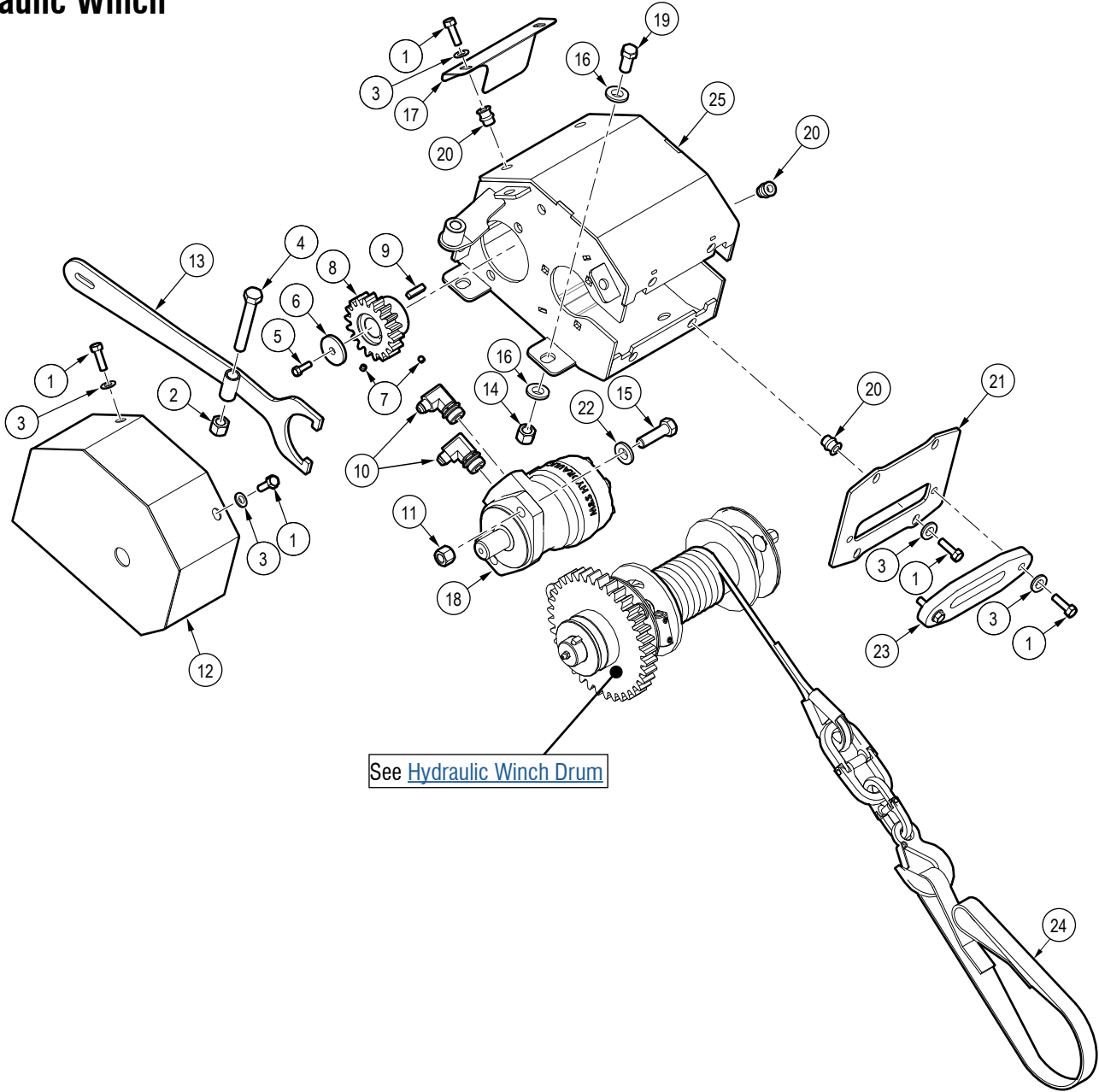
# Engine and Pump Assembly



Item	Part number	Description	Quantity
1	Z47754	Vanguard 14hp (408 cc) E-Start	1
2	Z71320	Hex Bolt, 3/8NC x 2"	4
3	Z73131G8	SAE Washer, 3/8" Grade 8	10
4	Z72204	Hex Lock Nut, #10NF	3
5	2251L188	Choke Cable Lever Extension Bracket	1
6	Z47921	Casing Cable Clamp, Choke	1
7	Z78303	Machine Screw, #10NF x 1/2"	1
8	Z72231	Hex Lock Nut, 3/8NC	4
9	2251L216	Bracket, Engine Mount	1
10	Z73122G8	SAE Washer, 5/16" Grade 8	4

Item	Part number	Description	Quantity
11	Z71274	Hex Bolt, 5/16NF x 1"	4
12	Z46404	Shaft Coupling, L095 x 1"	1
13	Z74111	Set Screw, 1/4NC x 1/4"	4
14	Z514401	Straight, MJIC x MP 1212	1
15	Z71310	Hex Bolt, 3/8NC x 1"	2
16	Z53206	Two-Stage Pump, 22GPM	1
17	Z46522	Key, 3/16" x 3/16" x 1"	1
18	Z46419	Shaft Coupling, L095 x 5/8"	1
19	Z46405	Spider, L095	1
20	Z46533	Key, 1/4" x 1/4" x 1"	1
21	Z53808	Pump Mount, PM-13	1

# Hydraulic Winch

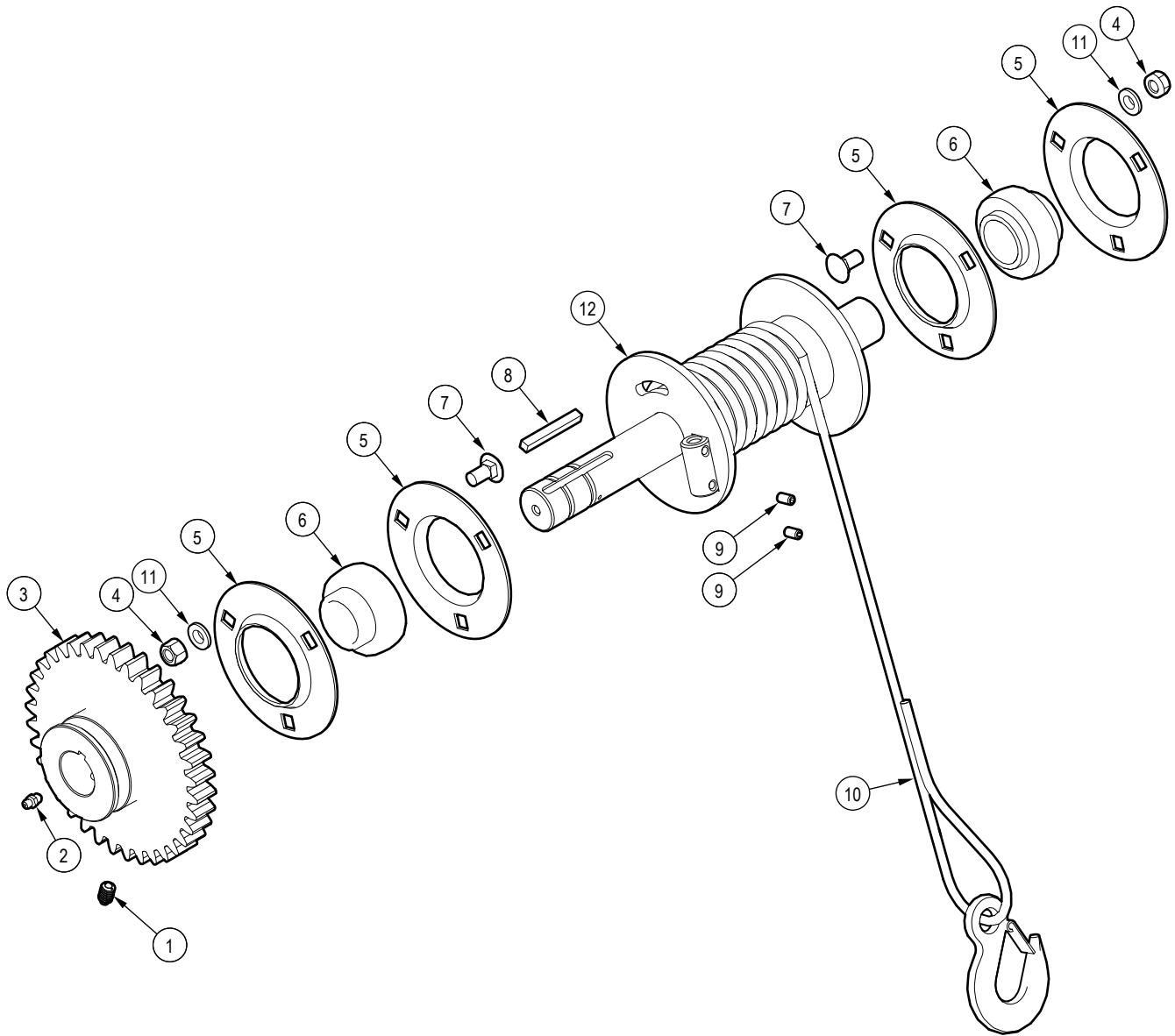


See [Hydraulic Winch Drum](#)

Item	Part number	Description	Quantity
1	Z71212	Hex Bolt, 5/16NC x 1-1/4"	11
2	Z72251	Hex Lock Nut, 1/2NC	11
3	Z73122G8	SAE Washer, 5/16" Grade 8	11
4	Z71535	Hex Bolt, 1/2NC x 3-1/2"	1
5	Z71107	Hex Bolt, 1/4NC x 3/4"	1
6	5081L114	Washer, Motor Shaft	1
7	Z74111	Set Screw, 1/4NC x 1/4"	2
8	5081M126	Drive Gear Hub	1
9	Z46533	Key, 1/4" x 1/4" x 1"	1
10	Z51656	Elbow 90, MJIC x MORB 0610	2
11	Z72251	Hex Lock Nut, 1/2NC	2
12	5081W111	Shield	1
13	5081W122	Handle, Winch Clutch	1

Item	Part number	Description	Quantity
14	Z73111G8	SAE Washer, 1/4" Grade 8	1
15	Z71517	Hex Bolt, 1/2NC x 1-3/4"	2
16	Z73151G8	SAE Washer, 1/2" Grade 8	10
17	5081L138	Guard	1
18	Z54109	Hydraulic Motor, 100CCR	1
19	Z71515	Hex Bolt, 1/2NC x 1-1/2"	4
20	Z72957	Rivet Nut, 5/16NC x 312	9
21	2251L071	Mount, Hawse Fairlead	1
22	Z73151G8	SAE Washer, 1/2" Grade 8	1
23	2251M003	Synthetic Fairlead	1
24	Z92405	Winching Strap, 1" x 5ft	1
25	2251W018	Housing, Winch	1

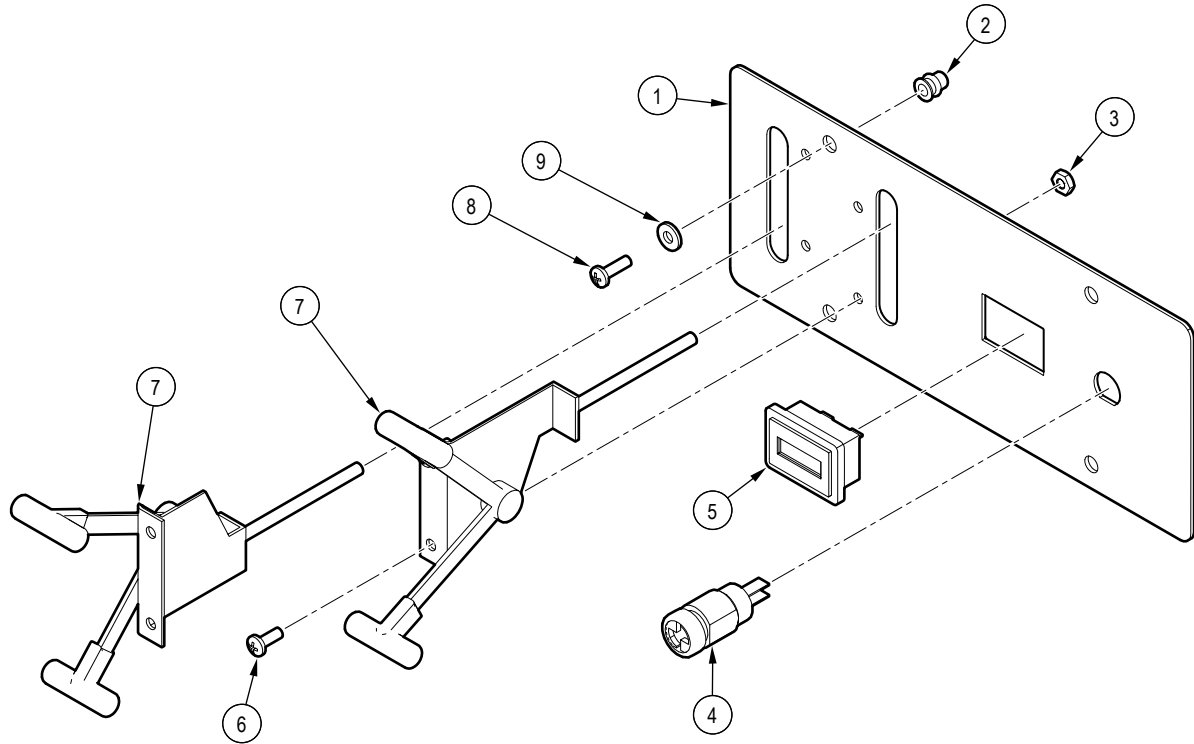
# Hydraulic Winch Drum



Item	Part number	Description	Quantity
1	Z34302	Spring Plunger, 3/8NC x 5/8" x 21 lbs	1
2	Z29202	Grease Fitting, 1/4NF	1
3	5081M125	Gear, Driven	1
4	Z72231	Hex Lock Nut, 3/8 NC	6
5	Z25301	3-Bolt Flange Bearing, PF206 x Flange Only	4
6	Z25207	Bearing Insert, UC206-20	2

Item	Part number	Description	Quantity
7	Z76231	Carriage Bolt, 3/8NC x 1"	6
8	Z46531	Key, 1/4" x 1/4" x 2"	1
9	Z74111	Set Screw, 1/4NC x 1/4"	2
10	Z92112	Synthetic Winch Rope, 1/4x50ft with Hook	1
11	Z73131G8	SAE Washer, 3/8" Grade 8	6
12	2251W019	Drum, Main Cable	1

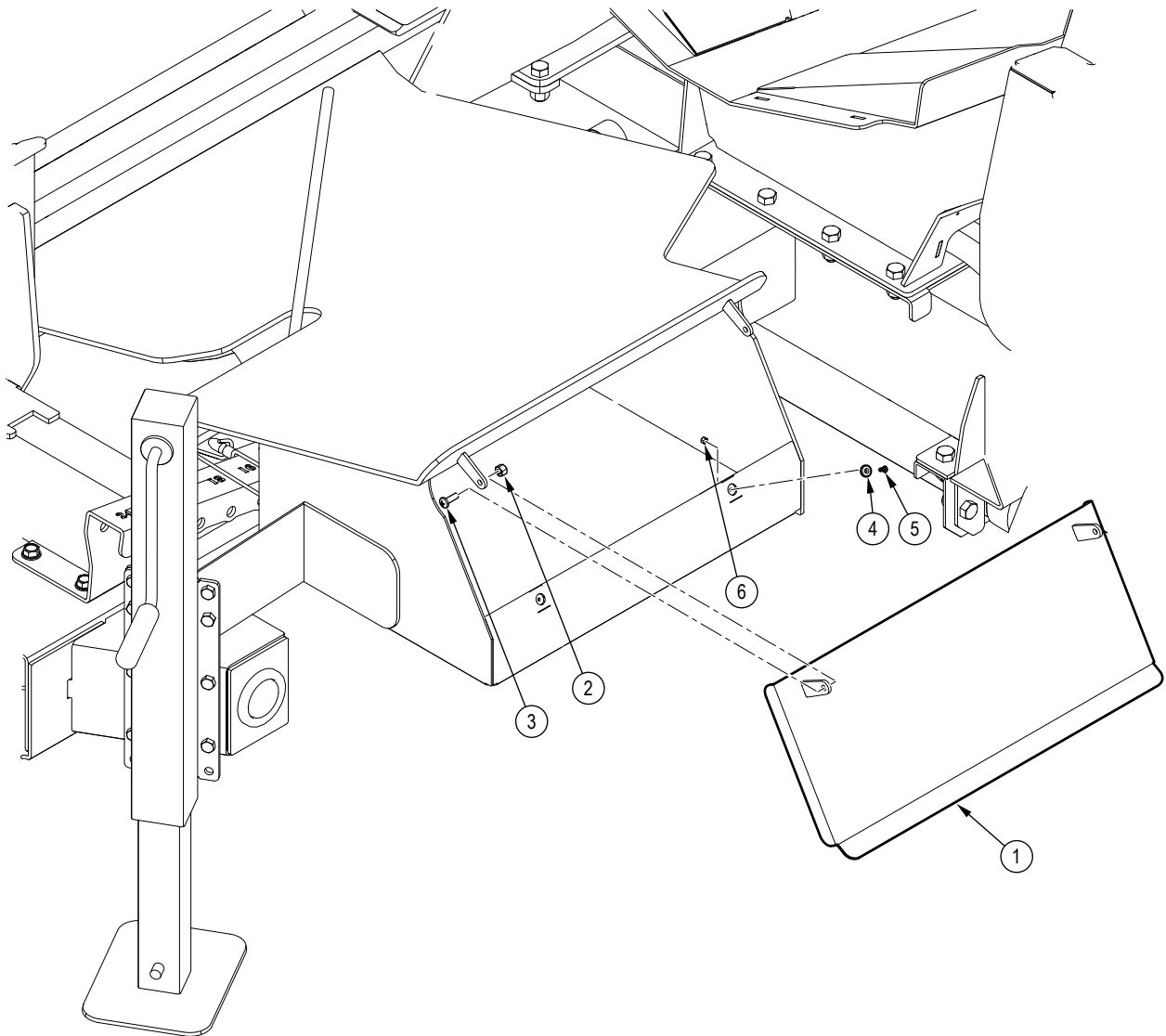
# Panel Assembly



Item	Part number	Description	Quantity
1	2251L249	Plate, Remote Start	1
2	Z72953	Rivet Nut, #10NC x 130	4
3	Z72752	Gear, Driven	1
4	Z47754	Vanguard Keyswitch Start	1
5	Z64612	Tach/Hour Meter Rectangular Snap-Mount	1

Item	Part number	Description	Quantity
6	Z78303	Machine Screw, #10NF x 1/2"	4
7	Z92116	Remote Throttle Cable, 66"	2
8	Z78312	Machine Screw, #10NC x 5/8"	4
9	Z73101	SAE Washer, #10	4

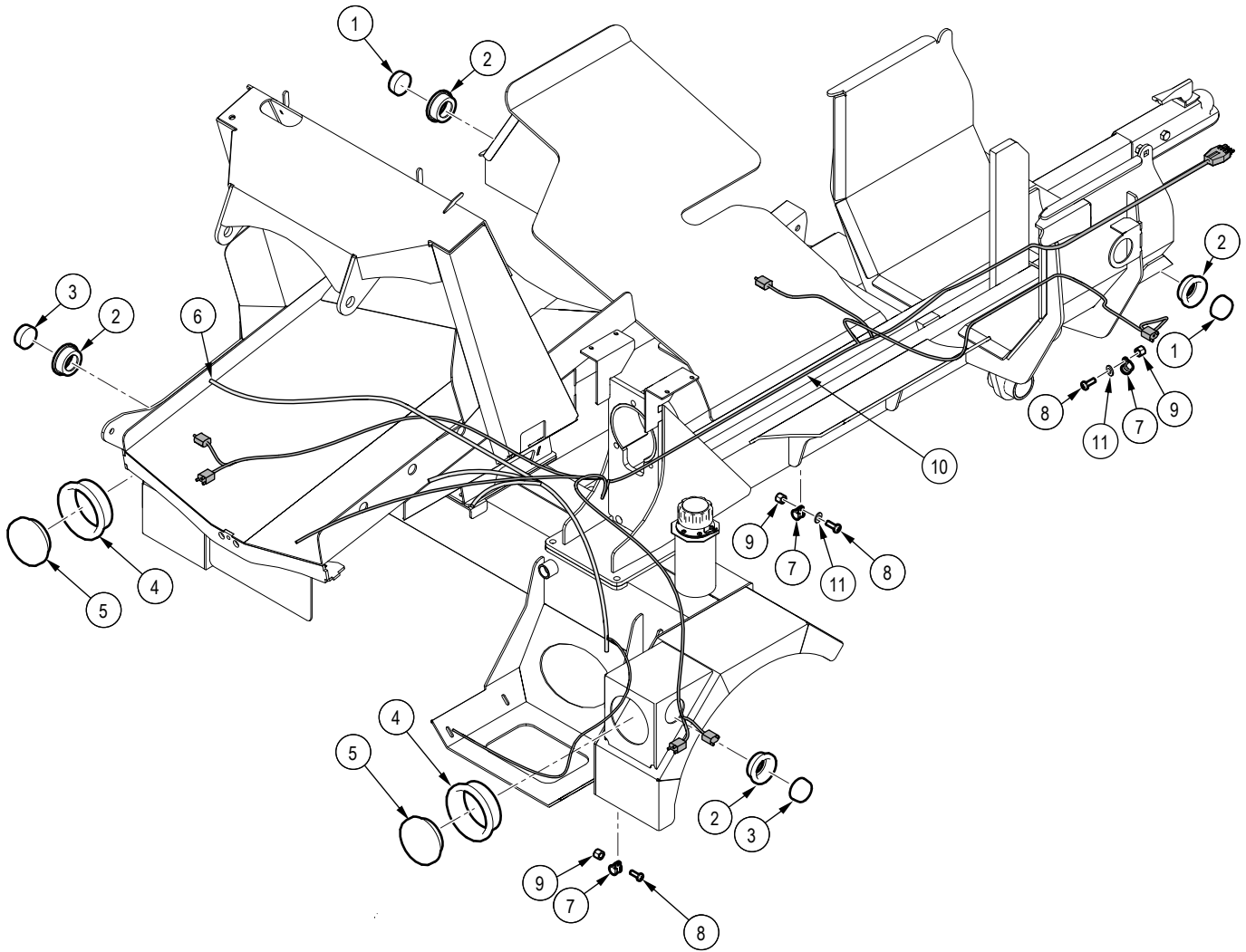
# Tool Box Lid



Item	Part number	Description	Quantity
1	2251L619	Lid, Toolbox	1
2	Z72211	Hex Lock Nut, 1/4NC	2
3	Z78301	BHCS, 1/4NC x 3/4", Hex Drive	2
4	Z19920	Puck Magnet 1-2 x 1-8	2
5	Z75207	FHCS, 4NC x 1/2"	2
6	Z72208	Hex Lock Nut, #4NC	2



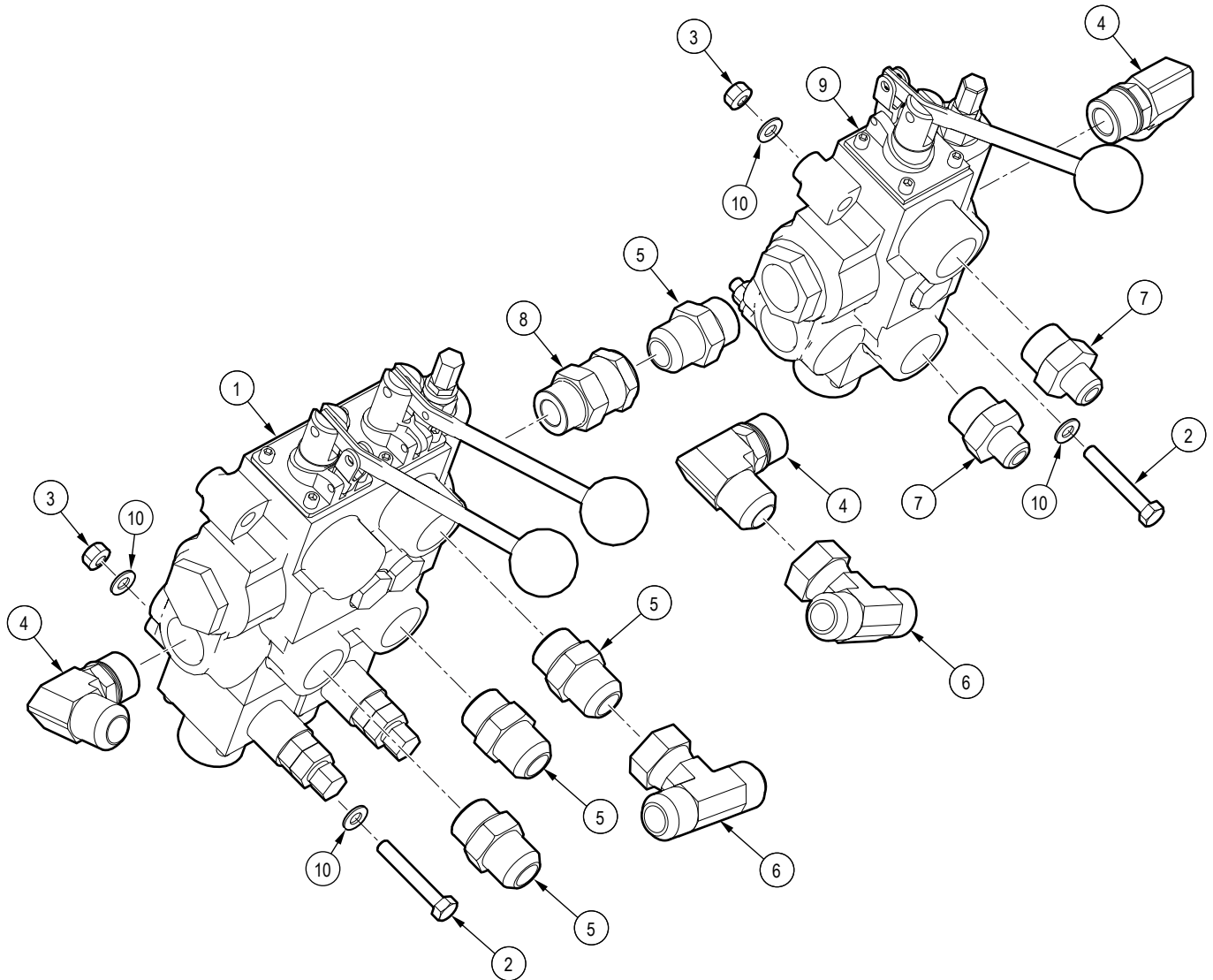
# Lights and Harness



Item	Part number	Description	Quantity
1	Z61211	Marker LED, Round x Amber	2
2	Z61202	Grommet, Round x Open Back	4
3	Z61210	Marker LED, Round x Red	2
4	Z61116	Grommet, 4" Round x Open Back	2
5	Z61115	STT LED, 4" Round	2
6	2251F022	Harness, WP840 VG Controls	1

Item	Part number	Description	Quantity
7	Z62819	Rubberized Wire Clamp, 1/2"	3
8	Z78301	BHCS, 1/4NC x 3/4", Hex Drive	3
9	Z72211	Hex Lock Nut, 1/4NC	3
10	2251F013	Wire Harness, WP800 Series Lights	1
11	Z73111G8	SAE Washer, 1/4" Grade 8	3

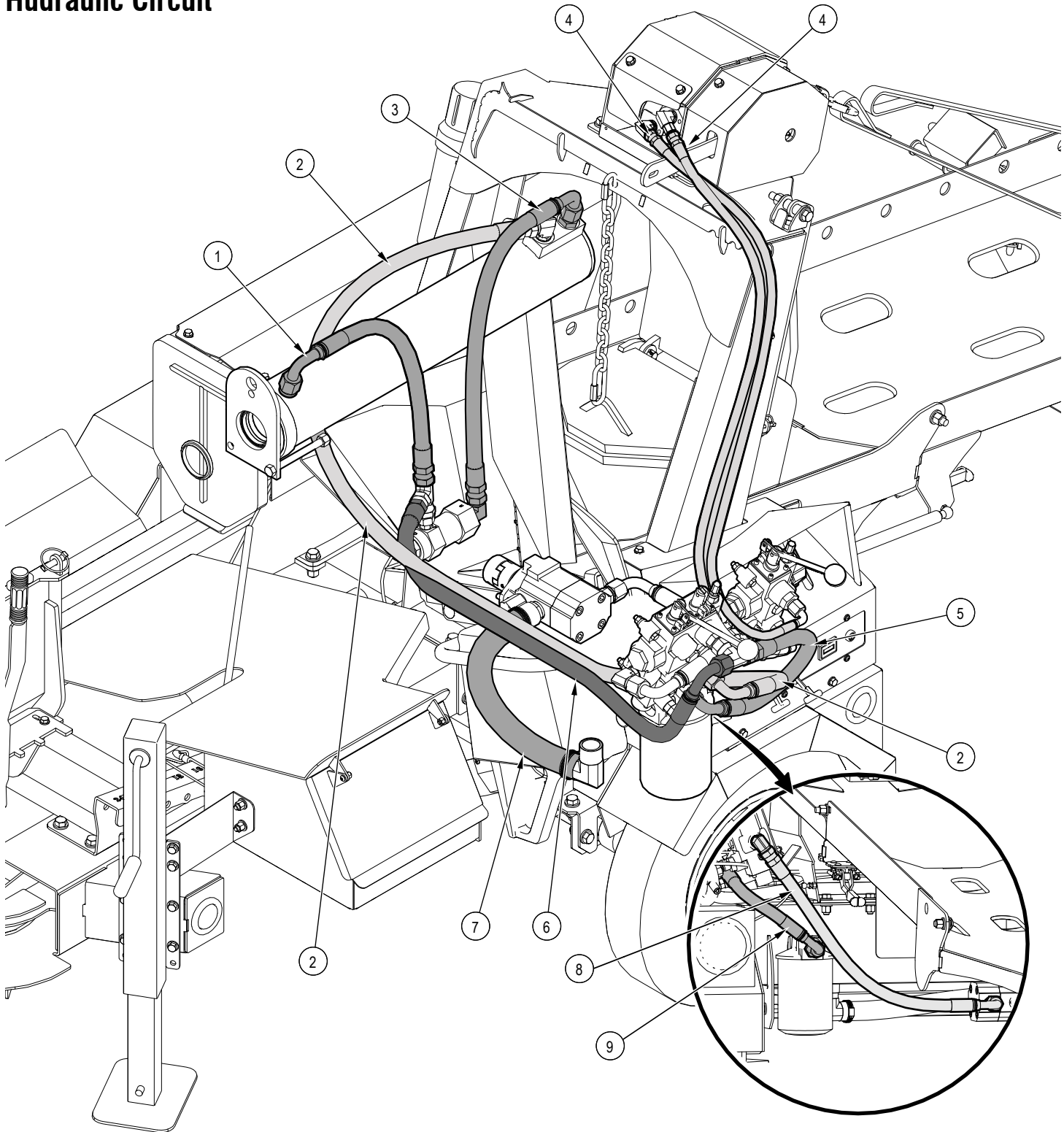
# Valve Assembly



Item	Part number	Description	Quantity
1	Z56213	Auto-Cycle Valve, VC x 25GPM Body Only	1
2	Z71220	Hex Bolt, 5/16NC x 2"	6
3	Z72221	Hex Lock Nut, 5/16NC	6
4	Z516501	Elbow 90, MJIC x MORB 1212	3
5	Z516414	Straight, MJIC x MORB 1212	4

Item	Part number	Description	Quantity
6	Z51596	Tee, MJIC x MJIC x FJICX 121212	2
7	Z516412	Straight, MJIC x MORB 0812	2
8	Z51764	Straight, MORB x FJICX 1212	1
9	Z56224	Single Spool Valve	1
10	Z73122G8	SAE Washer, 5/16" Grade 8	12

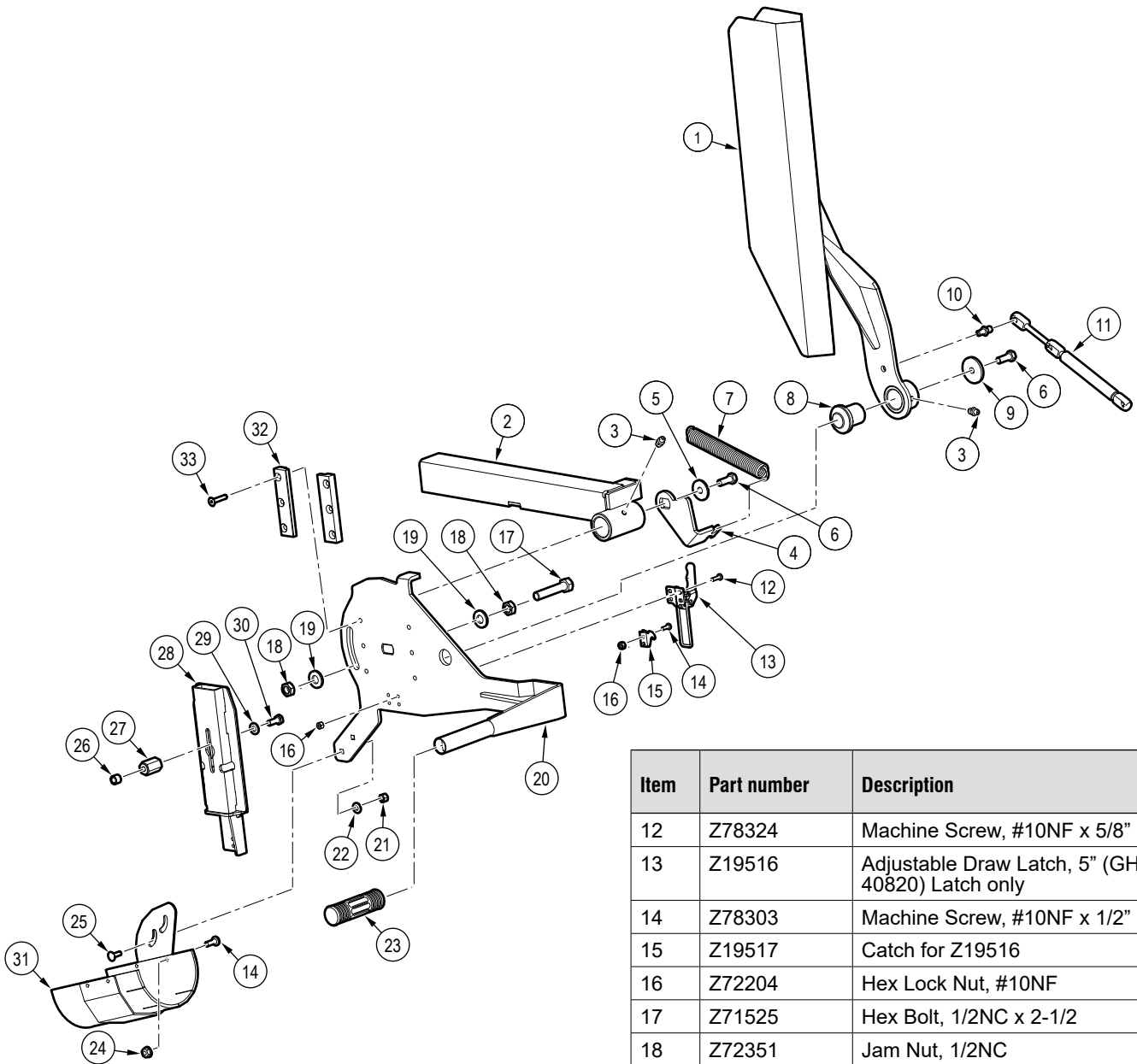
# Hudraulic Circuit



Item	Part number	Description	Quantity
1	2251F001	3/4" FJIC12 x 90FJIC12 x 16"	1
2	2251F010	3/4" FJIC12 x 90FJIC12 x 70"	1
3	2251F502	3/4" FJIC12 x 90FJIC12 x 33"	1
4	2251F007	3/8" FJIC06 x 90FJIC08 x 43"	2
5	2251F006	3/4" FJIC12 x 90FJIC12 x 17"	1
6	2251F011	3/4" FJIC12 x 90FJIC12 x 34.5"	1

Item	Part number	Description	Quantity
7	2251F018	3/4" FJIC12 x 90FJIC12 x 9.75"	1
8	2251F020	3/4" FJIC12 x 90FJIC12 x 24"	1
9	2251F021	3/4" FJIC12 x 90FJIC12 x 9.75"	1

# Chain Saw Adapter



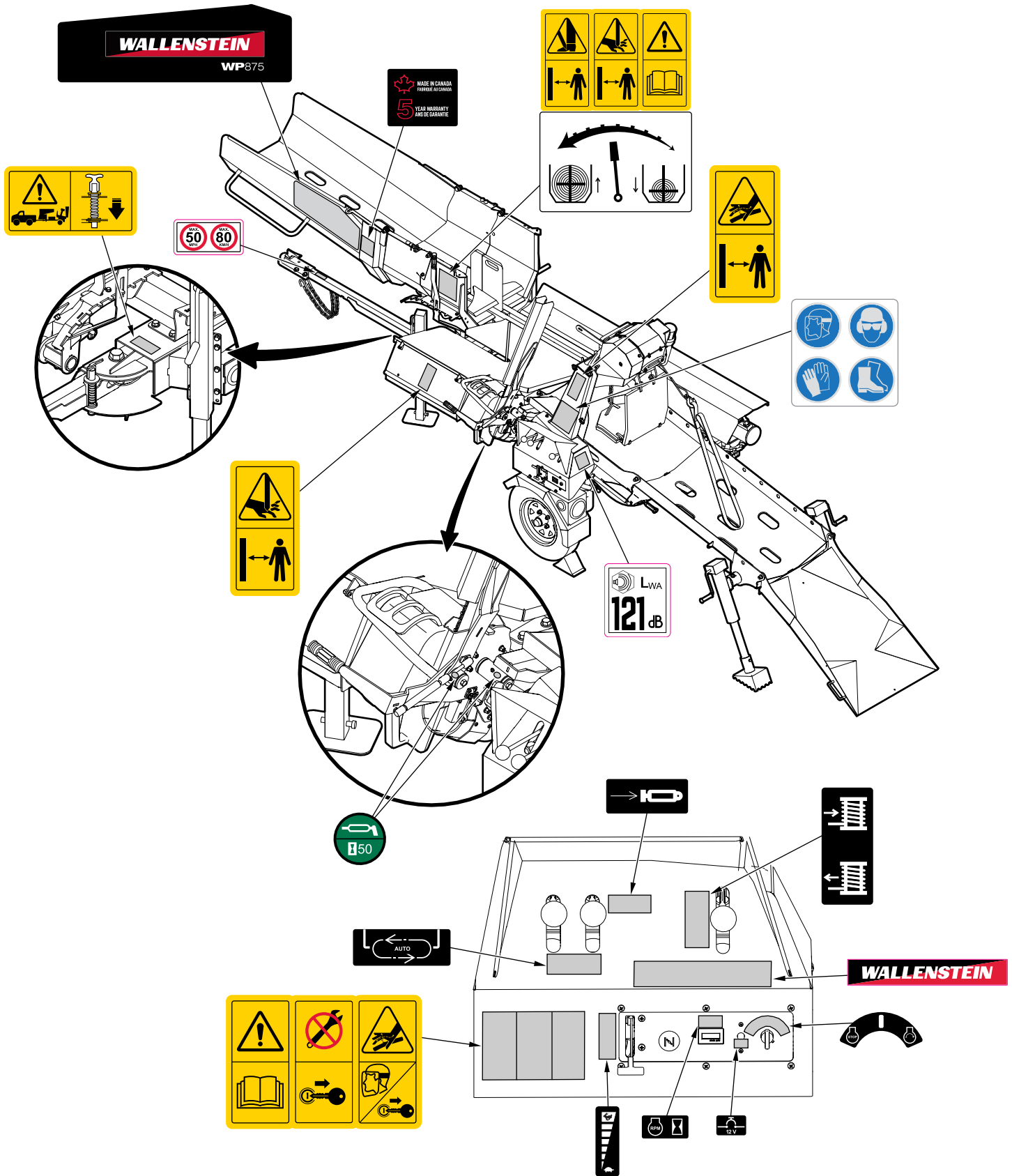
Item	Part number	Description	Quantity
1	2089W587	Chainsaw Guard Pivot Spine, Nonadjustable	1
2	2089W586	Pivot Base	1
3	Z29202	Grease Fitting, 1/4NF	2
4	2089L5507	Pivot Stop Washer	1
5	2089L5501	Washer	1
6	Z71310	Hex Bolt, 3/8NC x 1"	2
7	Z31404	Ext Spring, 25mm OD x 178mm x 0.135"	1
8	2089M563	Chainsaw Guard Pivot Pin	1
9	2089L555	Washer	1
10	Z34208	As Supplied	2
11	Z34209	Gas Spring, 8mm x 9.65" x 3.15" x 56 lbs	1

Item	Part number	Description	Quantity
12	Z78324	Machine Screw, #10NF x 5/8"	4
13	Z19516	Adjustable Draw Latch, 5" (GH-40820) Latch only	1
14	Z78303	Machine Screw, #10NF x 1/2"	6
15	Z19517	Catch for Z19516	1
16	Z72204	Hex Lock Nut, #10NF	6
17	Z71525	Hex Bolt, 1/2NC x 2-1/2"	1
18	Z72351	Jam Nut, 1/2NC	2
19	Z73151G8	SAE Washer, 1/2" Grade 8	2
20	2251W047	Chainsaw Pivot Weldment	1
21	Z72211	Hex Lock Nut, 1/4NC	2
22	Z73111G8	SAE Washer, 1/4" Grade 8	2
23	Z19321	Handle Grip, 1"	1
24	Z72503	Serrated Flange Locknut, #10NF	4
25	Z76211	Carriage Bolt, 1/4NC x 3/4"	2
26	2089M571	Bushing, Stihl Cover	2
27	2089M570	Bar Mounting Stud	2
28	2251W045	Universal Chainsaw Adapter	1
29	Z73122	SAE Washer, 5/16"	2
30	Z77150	Hex Bolt, M8x1.25 x 20mm	2
31	2089S592	Debris Chute	1
32	2251M009	Guide Gusset Block	2
33	Z75214	FHCS, 1/4NC x 1-1/4"	6

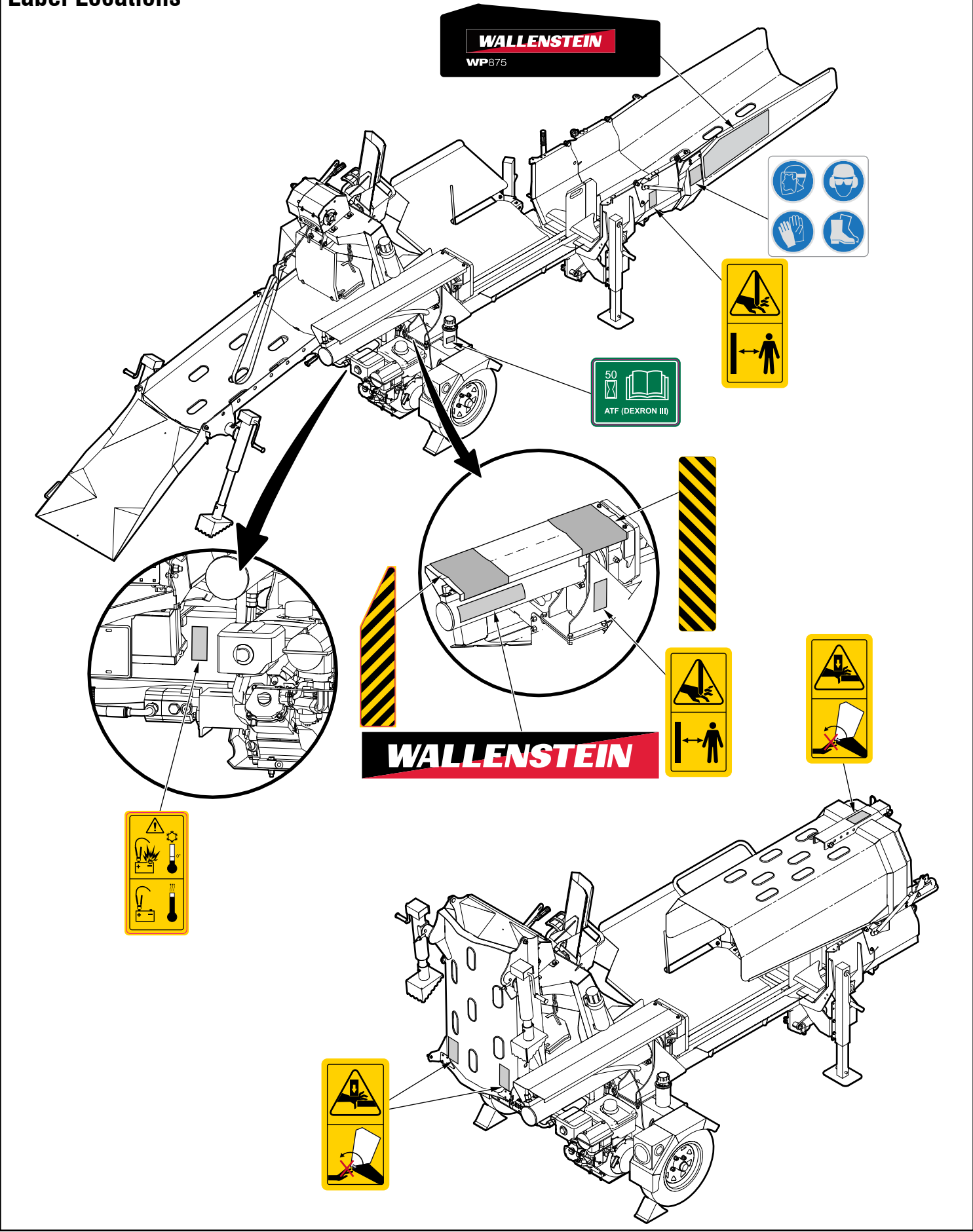
# Label Locations

**IMPORTANT!** If you replace a part that has a safety label on it, you must apply a new safety label. Immediately replace safety labels that are damaged, have been removed, or are illegible.

Contact your local Wallenstein Equipment dealer or distributor to order a safety label kit. Labels are not sold individually.

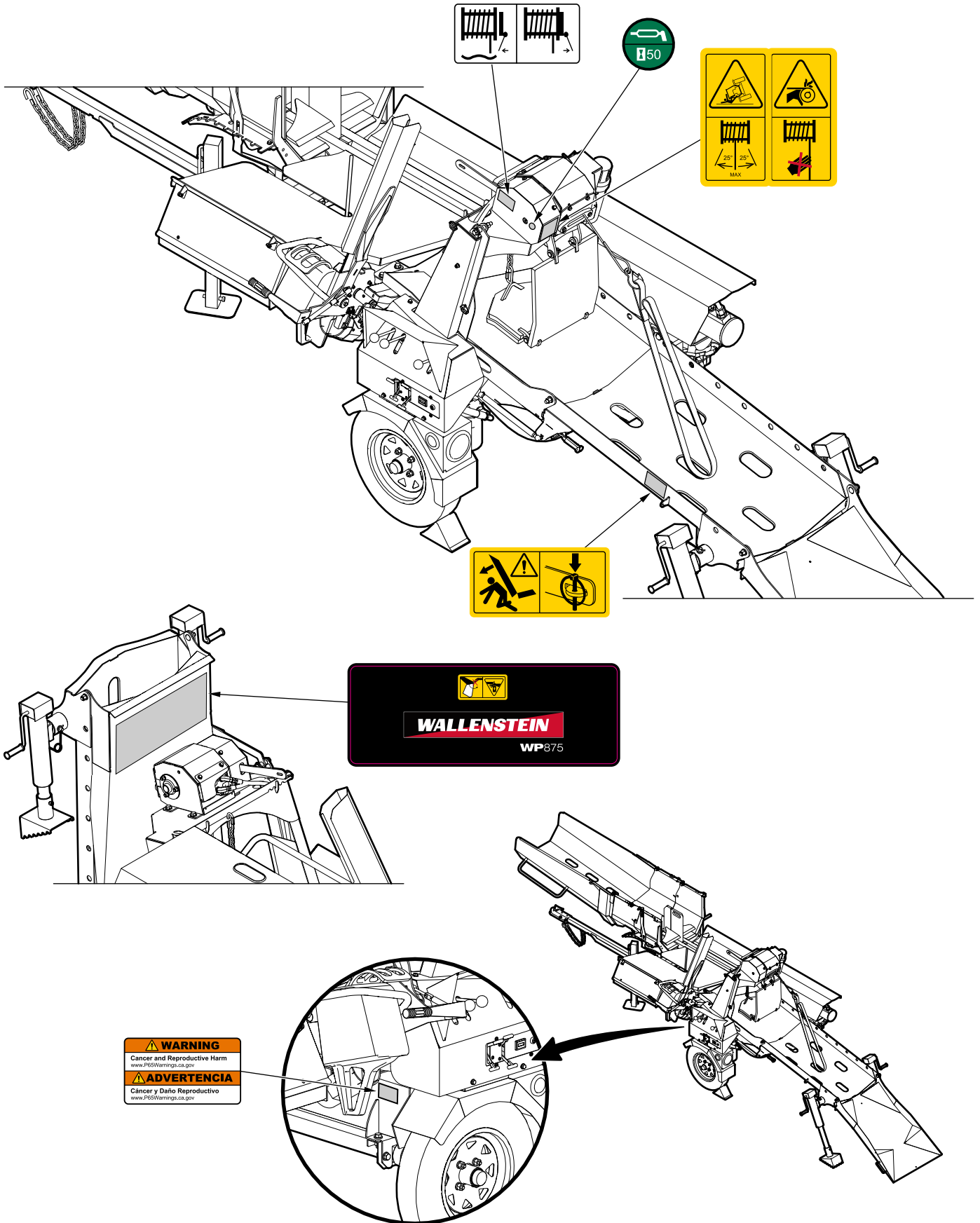


# Label Locations



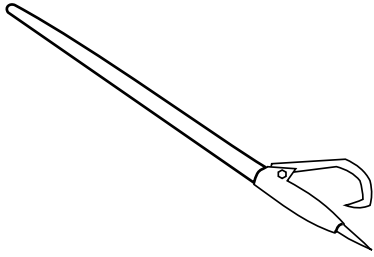


# Label Locations



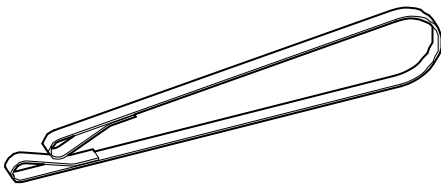
## Accessories

For price and availability, contact your local Wallenstein dealer or distributor.



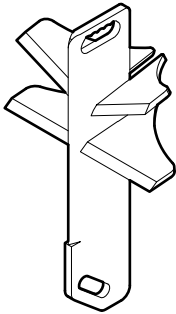
**48" Log Peavey**  
**Part number Z99001**

Use the log peavey to feed your final log into the firewood processor. Also the ideal tool for gaining leverage for rolling heavy logs into position single stroke.



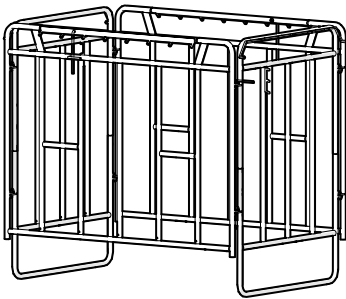
**60" Winching Strap**  
**Part number z92405**

High strength nylon strap for winching logs onto the processor.



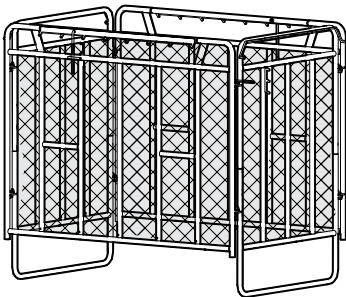
**6-Way Wedge P01**  
**Part number P01**

Split logs into six pieces with a single stroke.



**Firewood Mesh Bag Frame**  
**Part number P500**

Optimal skid size: 48" x 48"



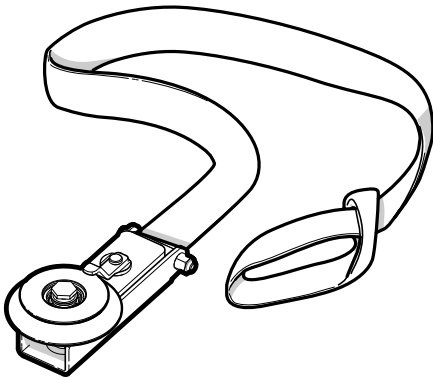
**Firewood Mesh Bag Z99007**  
**Part number Z99007**

PTO Power Pack Use with the P500 frame and a pallet to have a log pile that is ready to go and easy to transport without having to manually stack it.



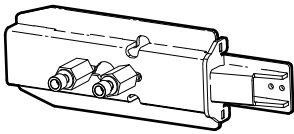
## Accessories

For price and availability, contact your local Wallenstein dealer or distributor.



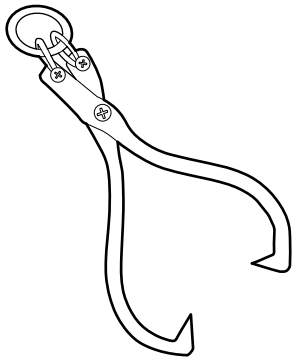
### **Self Releasing Directional Pulley** **Part number 5089A100**

Allows you to safely winch logs around corners, reducing damage to your logs. As the log approaches the pulley, it triggers a lever that automatically releases the cable from the pulley.



### **Spare Pivoting Chainsaw Adapter** **Part number P212**

Spare adapter kit for second chainsaw. For use with P202.



### **Logging Tongs** **Part number Z99003**

Opens to approx. 26" ..

## Bolt Torque

**IMPORTANT!** If you replace hardware, use fasteners of the same grade.

**IMPORTANT!** The torque specifications in these tables are for non-greased or non-oiled threads. Do not grease or oil fastener threads unless otherwise indicated. When using a thread lock, increase the specified torque 5%.



Bolt grades are identified by the marks on the bolt head.

The bolt torque specification tables provide the correct torque settings for common bolts and capscrews. Tighten all bolts to the torque that is specified in the table, unless otherwise indicated. Check the bolt tightness periodically.

### Imperial Bolt Torque Specifications

Bolt Diameter	Torque					
	SAE Gr. 2		SAE Gr. 5		SAE Gr. 8	
	lbf•ft	N•m	lbf•ft	N•m	lbf•ft	N•m
1/4 inch	6	8	9	12	12	17
5/16 inch	10	13	19	25	27	36
3/8 inch	20	27	33	45	45	63
7/16 inch	30	41	53	72	75	100
1/2 inch	45	61	80	110	115	155
9/16 inch	60	95	115	155	165	220
5/8 inch	95	128	160	215	220	305
3/4 inch	165	225	290	390	400	540
7/8 inch	170	230	420	570	650	880



SAE Gr. 2



SAE Gr. 5



SAE Gr. 8

### Metric Bolt Torque Specifications

Bolt Diameter	Torque			
	Gr. 8.8		Gr. 10.9	
	lbf•ft	N•m	lbf•ft	N•m
M3	0.4	0.5	1.3	1.8
M4	2.2	3	3.3	4.5
M6	7	10	11	15
M8	18	25	26	35
M10	37	50	52	70
M12	66	90	92	125
M14	83	112	116	158
M16	166	225	229	310
M20	321	435	450	610
M30	1,103	1,495	1,550	2,100



8.8



10.9

## Hydraulic Fitting Torque

Tighten flare-type tube fittings:

1. Check the flare and flare seat for defects that might cause leaks.
2. Align the tube with the fitting before tightening.
3. Hand-tighten the swivel nut until it is snug.
4. To prevent the tube from twisting, use two wrenches. Place one wrench on the connector body and tighten the swivel nut with the second wrench. Torque the fitting to the correct specification.

If a torque wrench is not available, use the flats from finger tight (FFFT) method.

Hydraulic Fitting Torque Specifications					
Tube size OD	Hex size across flats	Torque		Flats from finger tight	
		lbf•ft	N•m	Flats	Turns
3/16	7/16	6	8	2	1/6
1/4	9/16	11–12	15–17	2	1/6
5/16	5/8	14–16	19–22	2	1/6
3/8	11/16	20–22	27–30	1-1/4	1/6
1/2	7/8	44–48	59–65	1	1/6
5/8	1	50–58	68–79	1	1/6
3/4	1-1/4	79–88	107–119	1	1/8
1	1-5/8	117–125	158–170	1	1/8

Specifications are for non-lubricated connections.

## Lug Nut Torque



### WARNING!

**Wheel lug nuts must be installed and kept at the correct torque to prevent loose wheels, broken studs, or possible separation of a wheel from the axle.**

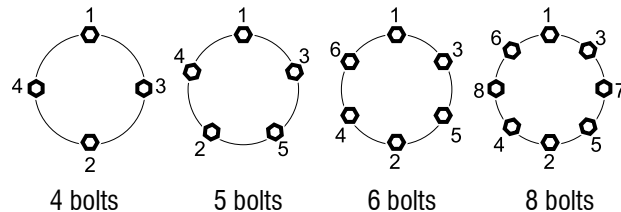
It is an extremely important safety procedure to apply and maintain the correct torque on lug nuts that secure the wheel to the trailer axle. A calibrated torque wrench is the best tool to make sure that the correct amount of torque is applied to a fastener.

Tighten wheel lug nuts to the correct torque before the first use and after each wheel removal. After a wheel is installed, check and torque the lug nuts after the first 10 miles (16 km), 25 miles (40 km), and 50 miles (80 km). Check the lug nut torque periodically thereafter.

- Start all lug nuts onto the threads by hand.
- Tighten lug nuts in stages, following the pattern shown below the Lug Nut Torque Specifications table.

Lug Nut Torque Specifications				
Wheel size	Units	First stage	Second stage	Third stage
8 inch	lbf•ft N•m	12–20 16–26	30–35 39–45.5	45–55 58.5–71.5
12 inch	lbf•ft N•m	20–25 26–32.5	35–40 45.5–52	50–60 65–78
13 inch	lbf•ft N•m	20–25 26–32.5	35–40 45.5–52	50–60 65–78
14 inch	lbf•ft N•m	20–25 26–32.5	50–60 65–78	90–120 117–156
15 inch	lbf•ft N•m	20–25 26–32.5	50–60 65–78	90–120 117–156
16 inch	lbf•ft N•m	20–25 26–32.5	50–60 65–78	90–120 117–156

Lug nut torque pattern:





**MAKING WORK FEEL MORE LIKE PLAY™**

[WallensteinEquipment.com](http://WallensteinEquipment.com)

