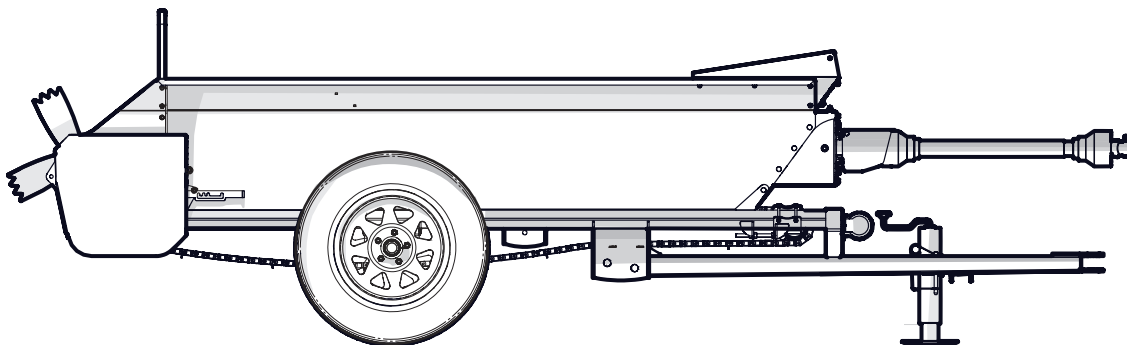


PARTS MANUAL

Serial Number 780P170 & up

MX80P MANURE SPREADER



Foreword

This Wallenstein parts manual is prepared to assist customers in ordering quality OEM replacement parts.

Regular maintenance combined with replacing old, worn or broken parts with the correct OEM parts is essential in prolonging the life of your Wallenstein product. Refer to this manual to identify replacement parts.

To order parts, contact your Wallenstein dealer or distributor. Have the product model and serial number handy.

If your dealer is no longer available, please go to our website: <http://wallensteinequipment.com> and click on the [Dealer Locator](#) to find the nearest dealer.

All information contained in this parts manual is current as per the revision date at the bottom of the page. Wallenstein reserves the right to change product specifications at any time without notice.

If your product specifications differ from those contained in this manual, contact Wallenstein for current information.

Reproduction of information in this parts manual is prohibited without prior written permission from Wallenstein Equipment Inc.

Wallenstein Equipment Inc. • © 2021

WARNING!

Refer to the operators manual for safe operation and maintenance.

Maintenance should be performed by trained personnel only.

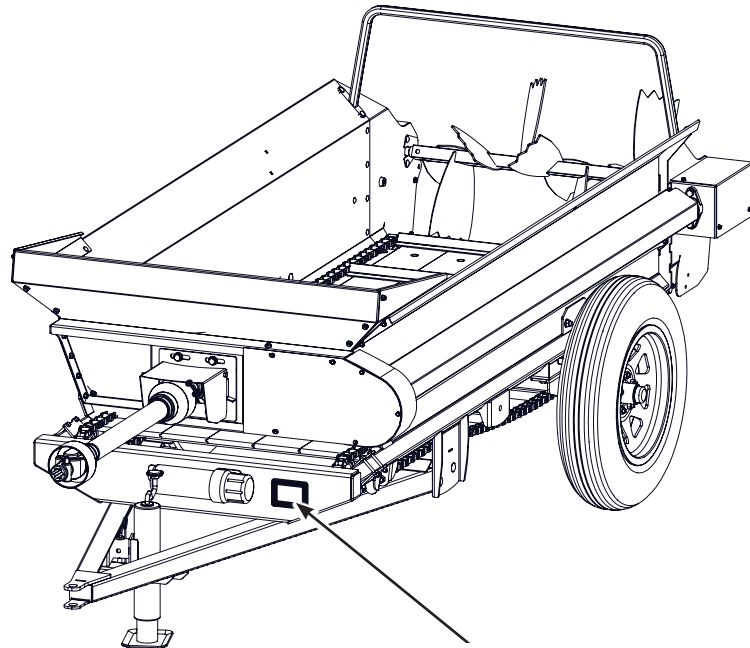
Serial Number Location

Always provide the model and serial number of your Wallenstein product when ordering parts or requesting service or other information. This information is found on the product information plate as shown below.

Record your product information here for future reference.

Model _____

Serial Number _____



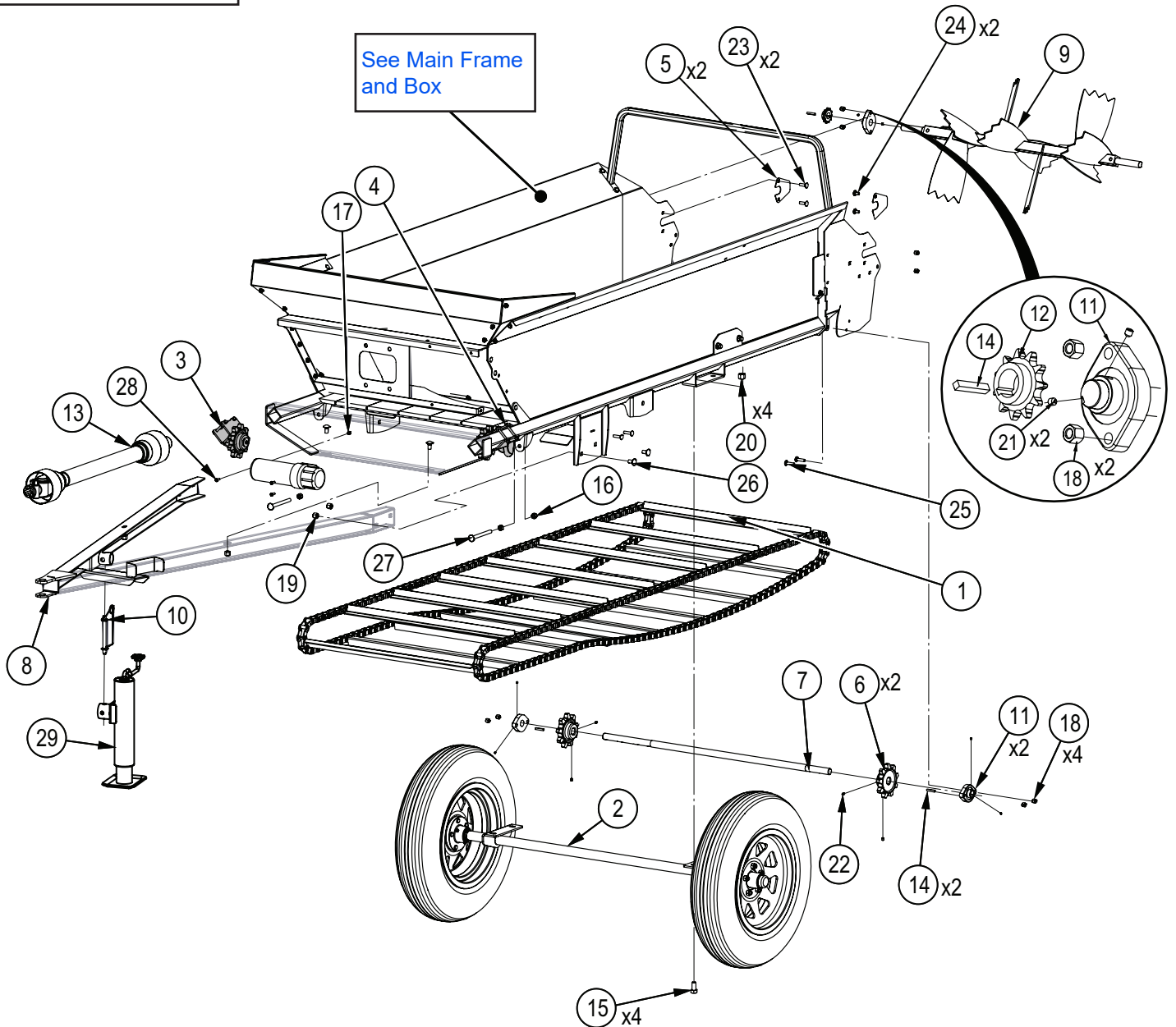
Model and Serial
Number Location

www.wallensteinequipment.com

Contents

Main Parts.....	4
Main Frame and Box.....	5
Box Panel PTO Assembly	6
Apron Chain and Front Sprockets	7
PTO Input Shaft Assembly	8
PTO Drive.....	9
Beater Bar Drive.....	10
Axle Assembly.....	11
Apron Chain Ratchet	12
Apron Drive Ratchet Mechanism.....	13
Hub Assembly	14
Decal Layout.....	15
Accessories	17
Common Bolt Torque Values	18
Wheel Lug Torque Values.....	19

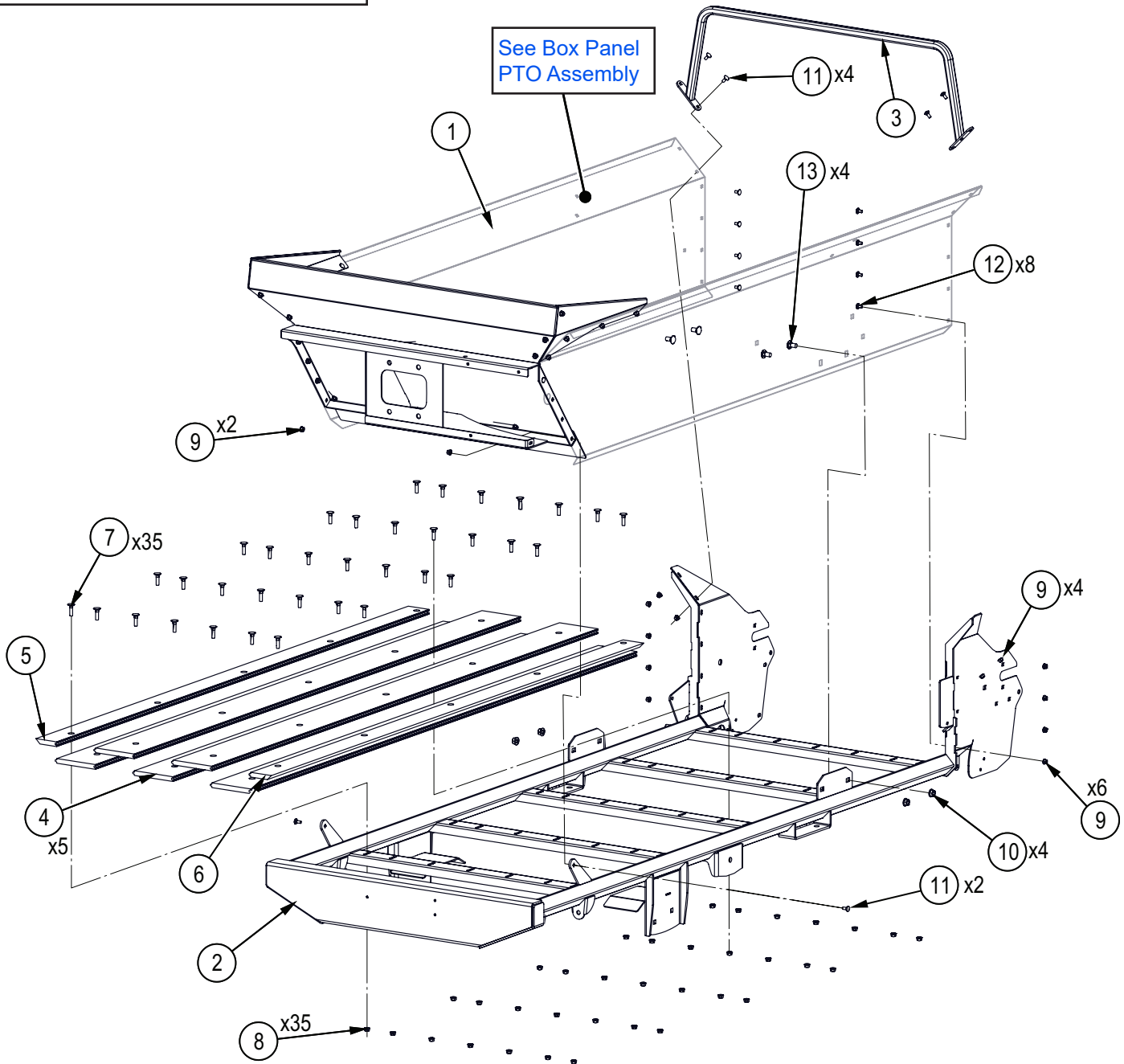
Main Parts



Item No.	Part No.	Description	Qty
1	7014A455	Assembly, Apron Chain 662	1
2	7015A504	Assembly, PTO Axle	1
3	7015A505	Assy, Front Apron Sprocket RH	1
4	7015A506	Assy, Front Apron Sprocket LH	1
5	7015L560	Plate, Beater Bar Capture	2
6	7015M501	Sprocket, Apron Chain Rear	2
7	7015M503	Shaft, Rear Apron Drive	1
8	7015W502	MX80 Hitch Frame	1
9	7015W519	Beater Bar, PTO Drive	1
10	Z12441	Snap Lock Pin, 1/2" x 4-1/2"	1
11	Z25102	2-Bolt Flange Bearing, SBF205-16	3
12	Z42803	Sprocket, #50 x 11 x 1"	1
13	Z44203	PTO Shaft, Series B2 x 39.685"	1
14	Z46532	Key, 1/4" x 1/4" x 1-1/2"	3
15	Z71612	Hex Bolt, 5/8NC x 1-1/4"	4

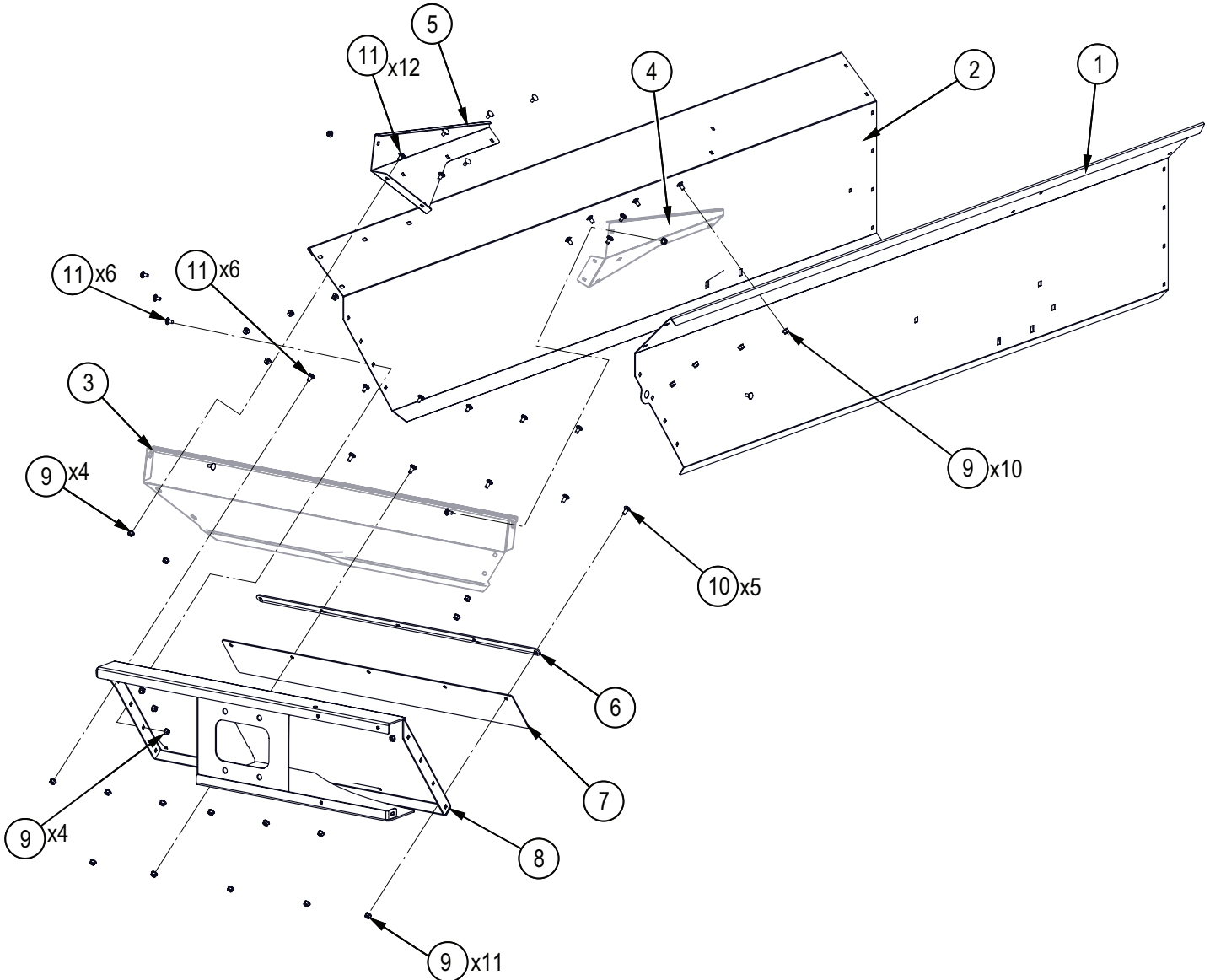
Item No.	Part No.	Description	Qty
16	Z72151	Hex Nut, 1/2NC	4
17	Z72211	Hex Lock Nut, 1/4NC	3
18	Z72231	Hex Lock Nut, 3/8NC	8
19	Z72251	Hex Lock Nut, 1/2NC	6
20	Z72261	Hex Lock Nut, 5/8NC	4
21	Z74112	Set Screw, 1/4NF x 1/4"	6
22	Z74121	Set Screw, 5/16NC x 3/8"	4
23	Z76232	Carriage Bolt, 3/8NC x 1-1/4"	2
24	Z76233	Carriage Bolt, 3/8NC x 3/4"	2
25	Z76239	Carriage Bolt, 3/8NC x 1-1/2" Extra Short Neck	4
26	Z76252	Carriage Bolt, 1/2NC x 1"	6
27	Z76254	Carriage Bolt, 1/2NC x 5-1/2" Full Threads	2
28	Z78301	Machine Screw, 1/4NC x 3/4"	3
29	Z91513	Trailer Jack, Top Wind x 2000lbs	1

Main Frame and Box



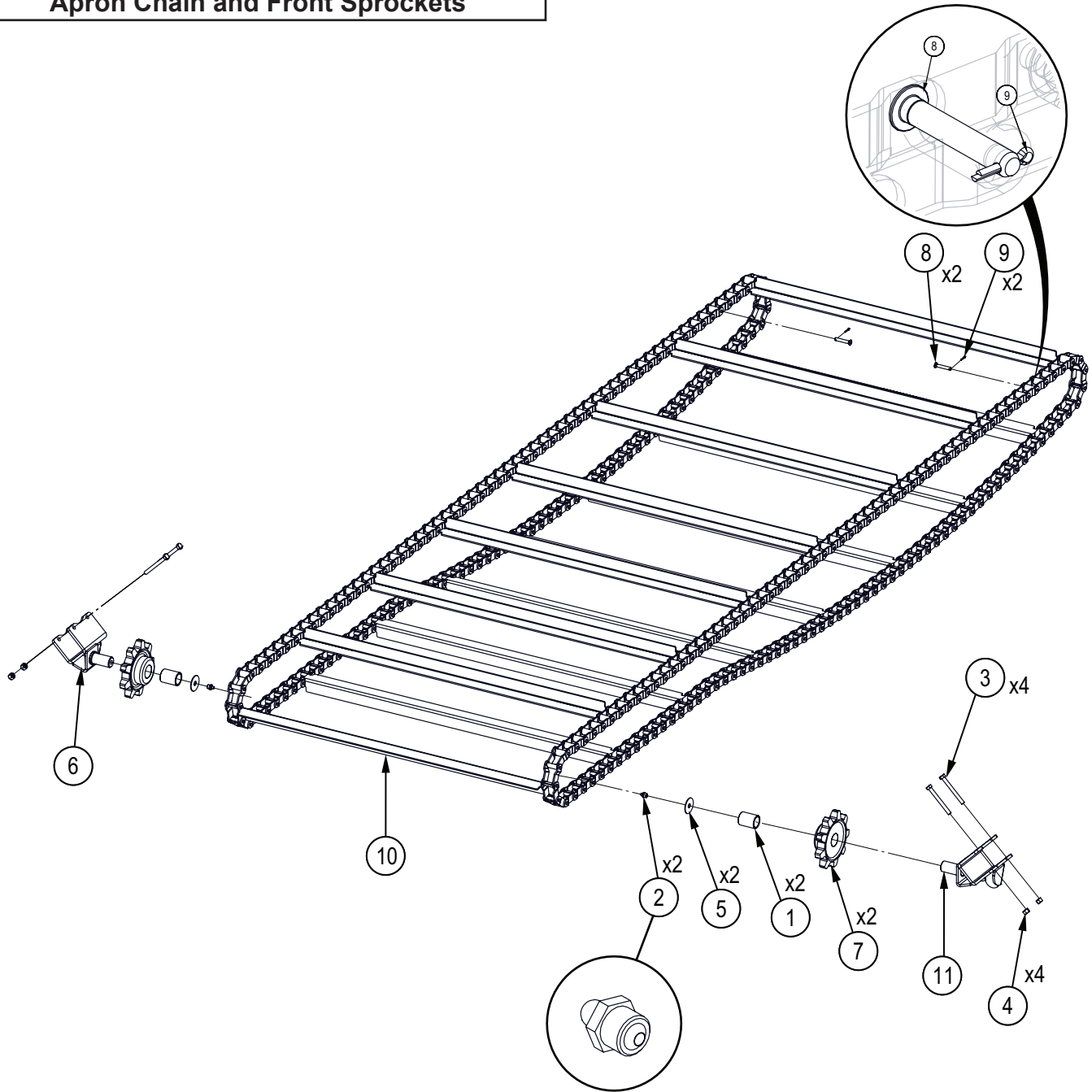
Item No.	Part No.	Description	Qty
1	7015A501	Assembly, PTO Box	1
2	7015W501	MX80 Main Frame	1
3	7015W517	Crossbar	1
4	7015S505	Floor Board, Center	5
5	7015S506	Floor Board, Right End	1
6	7015S507	Floor Board, Left End	1
7	Z76631	Plow Bolt, 3/8NC x 1-1/2"	35
8	Z72531	Serrated Flange Locknut, 3/8NC	35
9	Z72521	Serrated Flange Locknut, 5/16NC	14
10	Z72551	Serrated Flange Locknut, 1/2NC	4
11	Z76221	Carriage Bolt, 5/16NC x 3/4"	6
12	Z76222	Carriage Bolt, 5/16NC x 5/8"	8
13	Z76252	Carriage Bolt, 1/2NC x 1"	4

Box Panel PTO Assembly



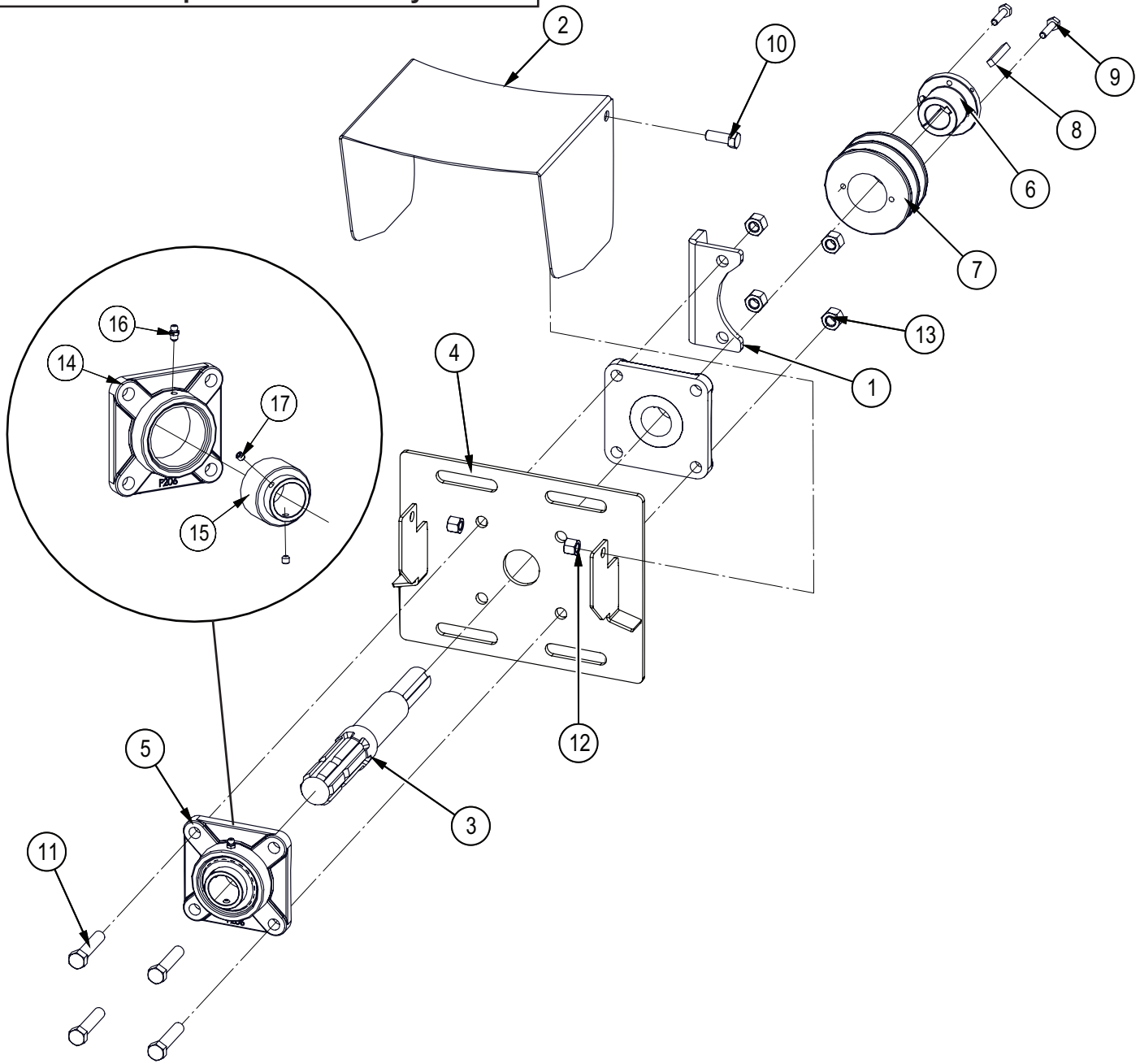
Item No.	Part No.	Description	Qty
1	7015L505	Panel, Box Side LH	1
2	7015L506	Panel, Box Side RH	1
3	7015L540	Splash Guard, Top	1
4	7015L542	Splash Guard, LH	1
5	7015L543	Splash Guard, RH	1
6	7015L561	Clamp, Floor Seal	1
7	7015S508	Floor Seal	1
8	7015W503	Box Front, PTO	1
9	Z72521	Serrated Flange Locknut, 5/16NC	29
10	Z76221	Carriage Bolt, 5/16NC x 3/4"	5
11	Z76222	Carriage Bolt, 5/16NC x 5/8"	24

Apron Chain and Front Sprockets



Item No.	Part No.	Description	Qty
1	Z26301	Bronze Bushing, 1" ID x 1-1/4" OD x 1-5/8" Long	2
2	Z29201	Grease Fitting, MP02	2
3	Z71230	Hex Bolt, 5/16NC x 3"	4
4	Z72221	Hex Lock Nut, 5/16NC	4
5	Z73232	Extra Wide Washer, 3/8"	2
6	7015W507	Bracket, Front Sprocket RH	1
7	7015M519	Sprocket, Apron Chain Front	2
8	7011M302	Pin, 662 Chain Clevis	2
9	Z12304	Cotter Pin, 3/32" x 1/2"	2
10	7014S452	Chain, Apron 662, 121 Links	1
11	7015W508	Beater Bar, PTO Drive	1

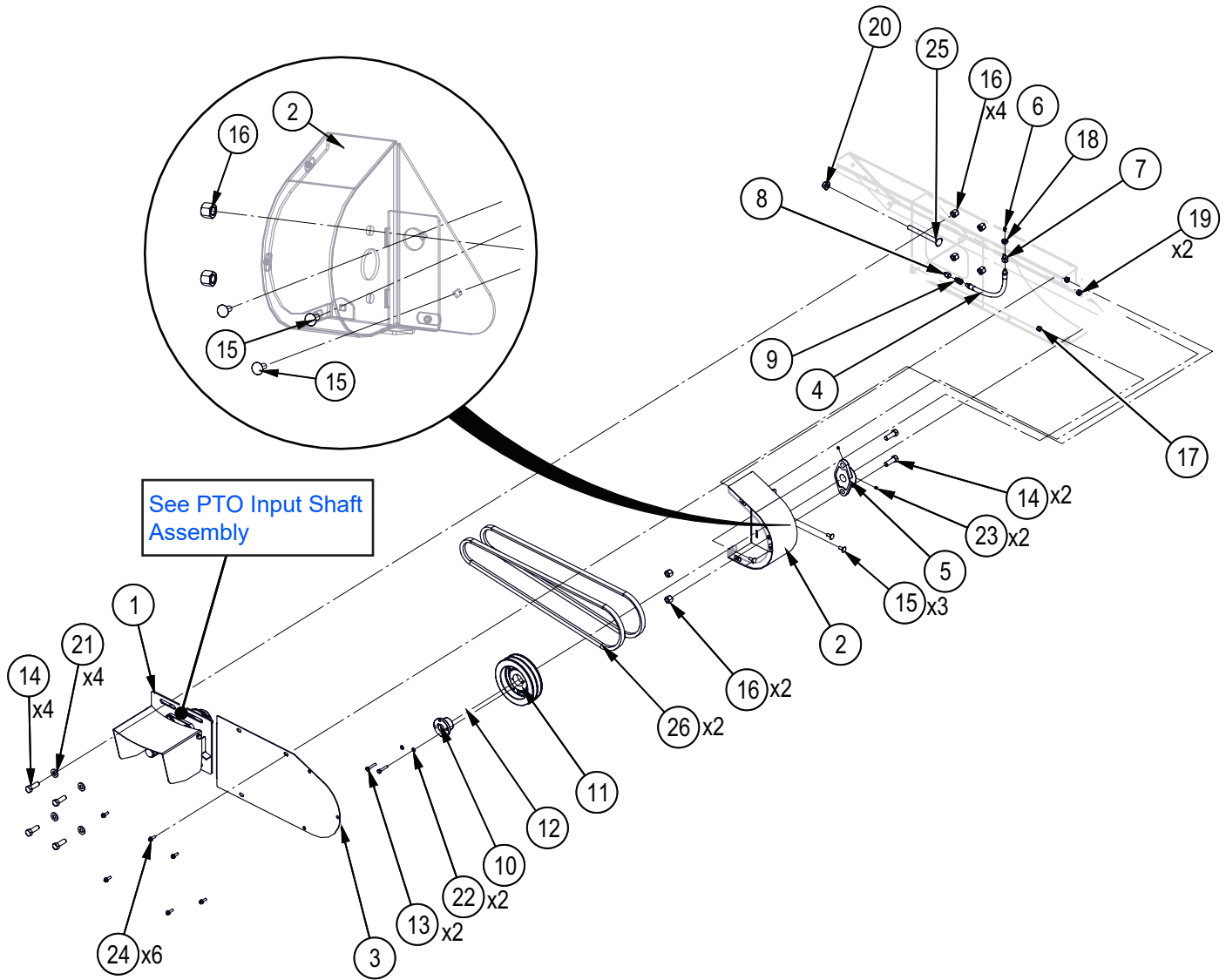
PTO Input Shaft Assembly



Item No.	Part No.	Description	Qty
1	7015L539	Bracket, Belt Tightener	1
2	7015L541	PTO Cover	1
3	7015M516	PTO Spline	1
4	7015W504	PTO Spline Plate	1
5	Z25202	4-Bolt Flange Bearing, UCF206-20	2
6	Z41510	Hub, L x 1"	1
7	Z41704	Double Sheave, 2MBL35 x L	1
8	Z46532	Key, 1/4" x 1/4" x 1-1/2"	1
9	Z71110	Hex Bolt, 1/4NC x 1"	2

Item No.	Part No.	Description	Qty
10	Z71310	Hex Bolt, 3/8NC x 1"	2
11	Z71420	Hex Bolt, 7/16NC x 2"	4
12	Z72231	Hex Lock Nut, 3/8NC	2
13	Z72241	Hex Lock Nut, 7/16NC	4
14	F206-Casting	F206-Casting	2
15	Z25202-1	Bearing Insert, UC206-20 for Z25202	2
16	Z29202	Grease Fitting, 1/4N	2
17	Z74112	Set Screw, 1/4NF x 1/4"	4

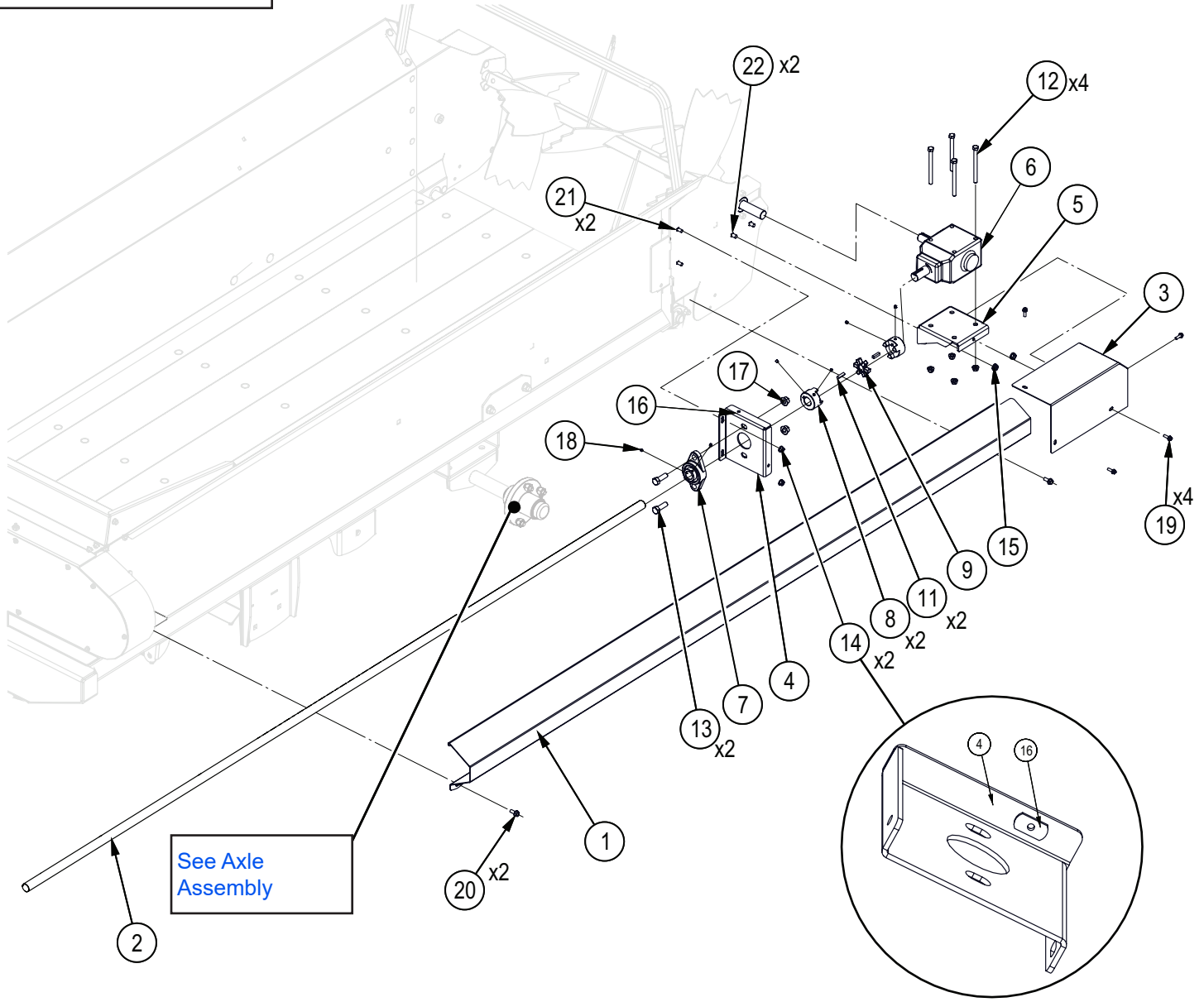
PTO Drive



Item No.	Part No.	Description	Qty
1	7015A508	Assy, Adjustable Input Shaft	1
2	7015W505	Front Pulley Shield	1
3	7015L532	Shield, PTO Belt	1
4	7013F001	1/4" Grease Whip, MP02 x MP02 x 10"	1
5	Z25101	2-Bolt Flange Bearing, UCFL205-16	1
6	Z29202	Grease Fitting, 1/4NF	1
7	Z29206	Bulkhead, FP x FP 0402 x 7/16NC	1
8	Z29303	Grease Fitting, FP02 x 1/4NF	1
9	Z29311	Grease Fitting, MP x FFX 0202	1
10	Z41510	Hub, L x 1"	1
11	Z41705	Double Sheave, 2MBL62 x L	1
12	Z46532	Key, 1/4" x 1/4" x 1-1/2"	1
13	Z71113	Hex Bolt, 1/4NC x 1-3/8"	2
14	Z71515	Hex Bolt, 1/2NC x 1-1/2"	6

Item No.	Part No.	Description	Qty
15	Z76221	Carriage Bolt, 5/16NC x 3/4"	3
16	Z72251	Hex Lock Nut, 1/2NC	6
17	Z72221	Hex Lock Nut, 5/16NC	1
18	Z72341	Jam Nut, 7/16NC	1
19	Z72521	Serrated Flange Locknut, 5/16NC	2
20	Z72551	Serrated Flange Locknut, 1/2NC	1
21	Z73151	SAE Washer, 1/2"	4
22	Z73311	Split Lock Washer, 1/4"	2
23	Z74112	Set Screw, 1/4NF x 1/4"	2
24	Z76111	Flange Bolt, 1/4NC x 3/4"	6
25	Z76253	Carriage Bolt, 1/2NC x 5" Full Threads	1
26	Z41151	Single "B" Belt x 57"	2

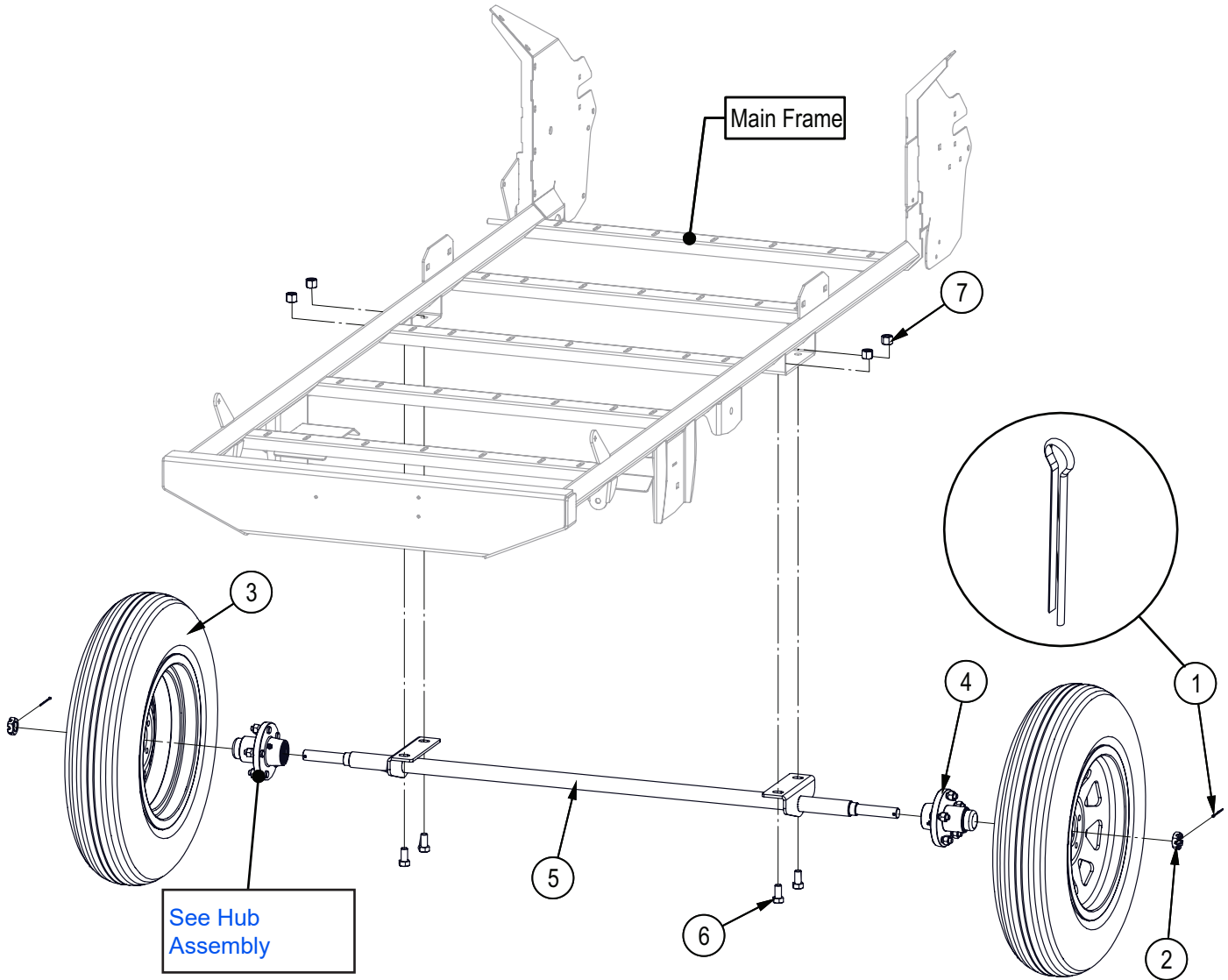
Beater Bar Drive



Item No.	Part No.	Description	Qty
1	7015L533	Shield, PTO Drive Shaft	1
2	7015M515	Shaft, PTO Drive	1
3	7015W506	Guard, Gearbox	1
4	7015L536	Bracket, PTO Drive Shaft	1
5	7015L525	Bracket, Gear Box	1
6	Z43101	Right Angle Gearbox, 15HP x 540RPM	1
7	Z25101	2-Bolt Flange Bearing, UCFL205-16	1
8	Z46404	Shaft Coupling, L095 x 1"	2
9	Z46405	Spider, L095	1
11	Z46533	Key, 1/4" x 1/4" x 1"	2
12	Z71345	Hex Bolt, 3/8NC x 4-1/2"	4

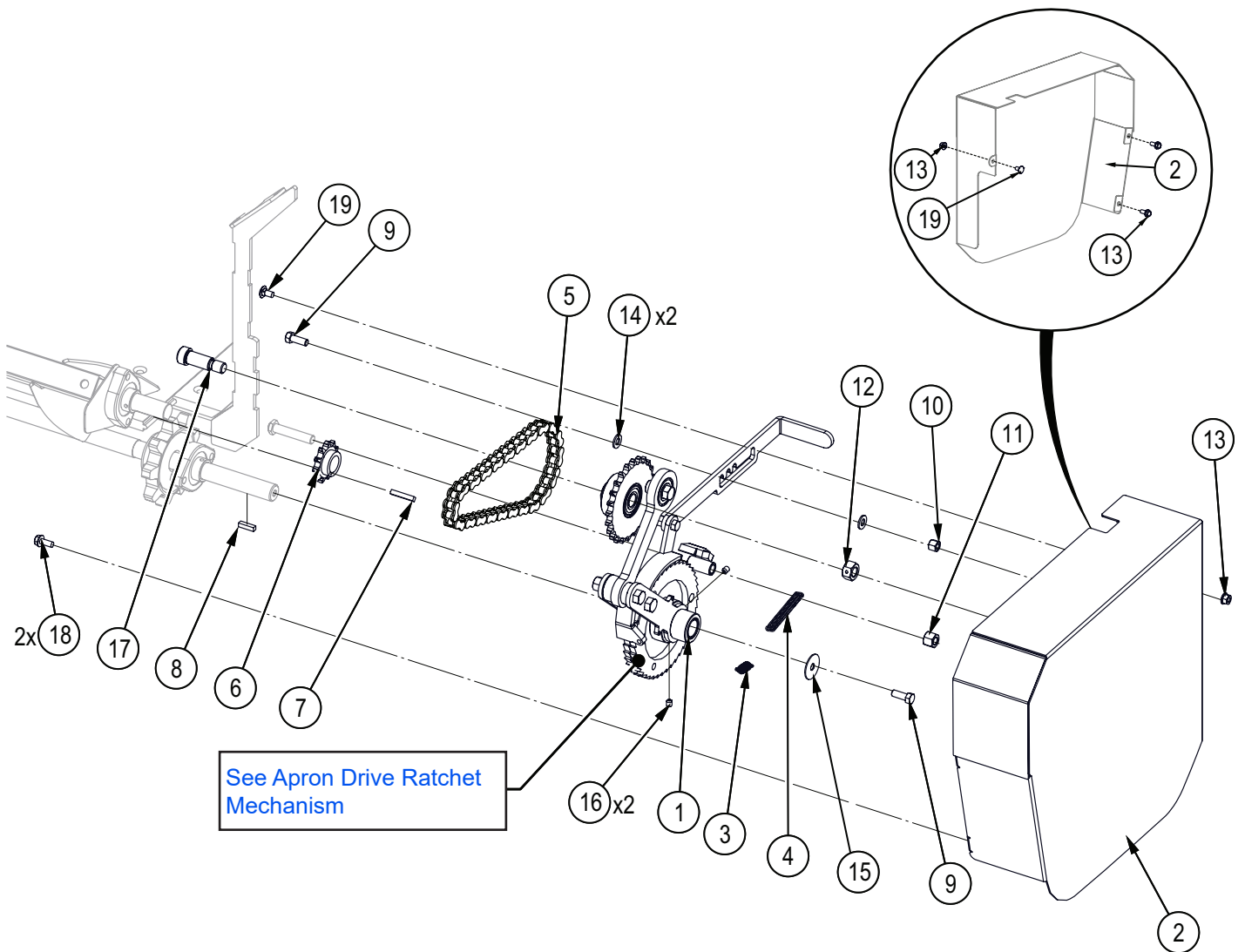
Item No.	Part No.	Description	Qty
13	Z71515	Hex Bolt, 1/2NC x 1-1/2"	2
14	Z72521	Serrated Flange Locknut, 5/16NC	2
15	Z72531	Serrated Flange Locknut, 3/8NC	6
16	Z72811	Weld Nut, 1/4NC Flanged	4
17	Z72551	Serrated Flange Locknut, 1/2NC	2
18	Z74112	Set Screw, 1/4NF x 1/4"	6
19	Z76111	Flange Bolt, 1/4NC x 3/4"	4
20	Z76121	Flange Bolt, 5/16NC x 3/4"	2
21	Z76221	Carriage Bolt, 5/16NC x 3/4"	2
22	Z76233	Carriage Bolt, 3/8NC x 3/4"	2

Axle Assembly



Item No.	Part No.	Description	Qty
1	Z12312	Cotter Pin, 1/8" x 2-1/2"	2
2	Z72691	Castle Nut, 1NF x 9/16" Thick	2
3	Z91304	6.70-15SL I-1(TL) 6PR Farm Specialist 5on4.5"	2
4	Z91204	Idler Hub Assy, 1100lbs x 5on4-1/2"	2
5	7015W509	Solid Axle, 1" Spindle	1
6	Z71612	Hex Bolt, 5/8NC x 1-1/4"	4
7	Z72261	Hex Lock Nut, 5/8NC	4

Apron Chain Ratchet

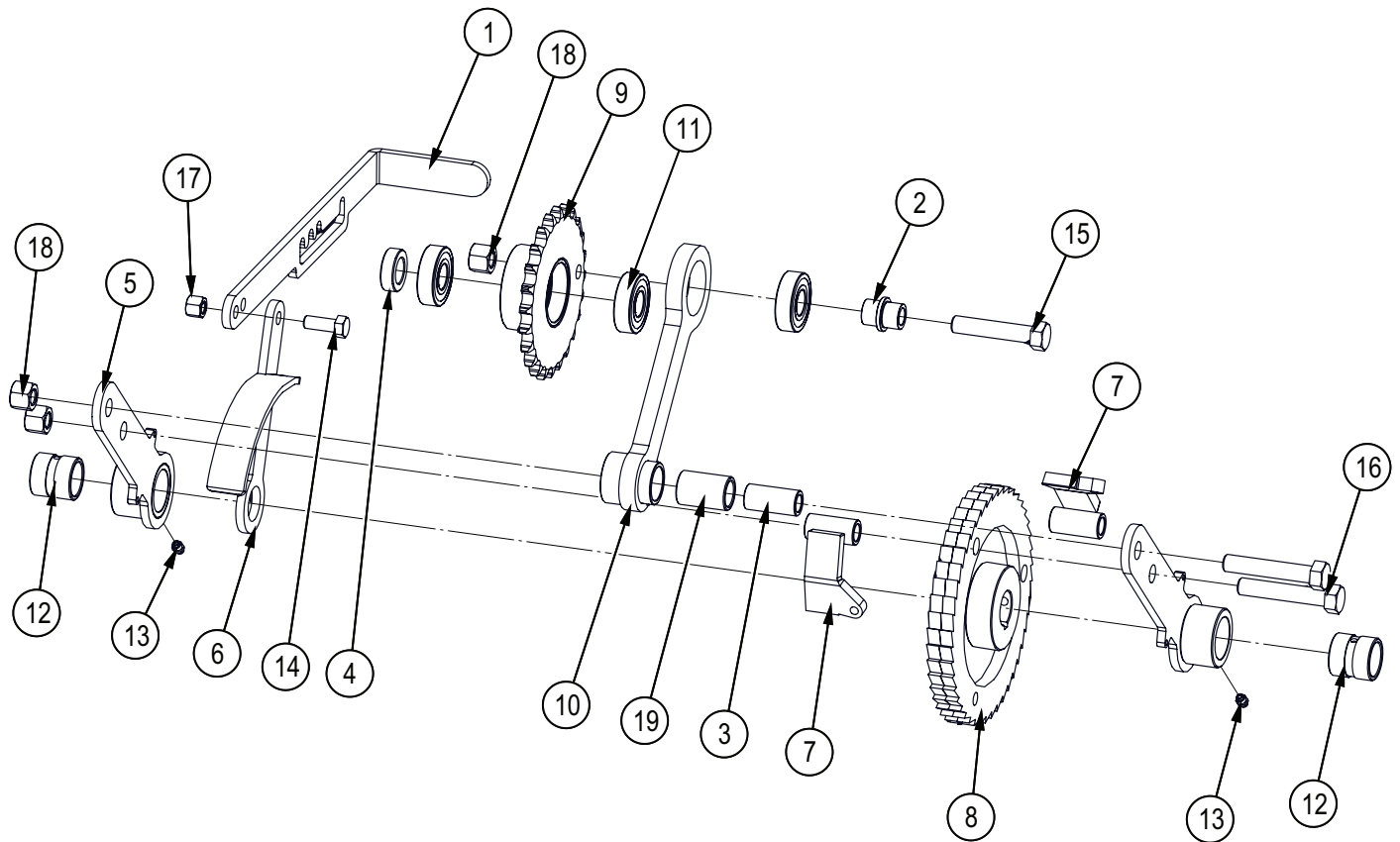


See Apron Drive Ratchet Mechanism

Item No.	Part No.	Description	Qty
1	7015A507	Apron Ratchet Drive Mechanism	1
2	7015W518	Shield, Apron Drive	1
3	Z31201	Ext Spring, 1/2" OD x 1-1/2" x .048"	1
4	Z31304	Ext Spring, 1/2" OD x 2-1/2" x .063"	1
5	Z42141	Roller Chain, #50 x 22	1
6	Z42803	Sprocket, #50 x 11 x 1"	1
7	Z46532	Key, 1/4" x 1/4" x 1-1/2"	1
8	Z46533	Key, 1/4" x 1/4" x 1"	1
9	Z71310	Hex Bolt, 3/8NC x 1"	2
10	Z72231	Hex Lock Nut, 3/8NC	1

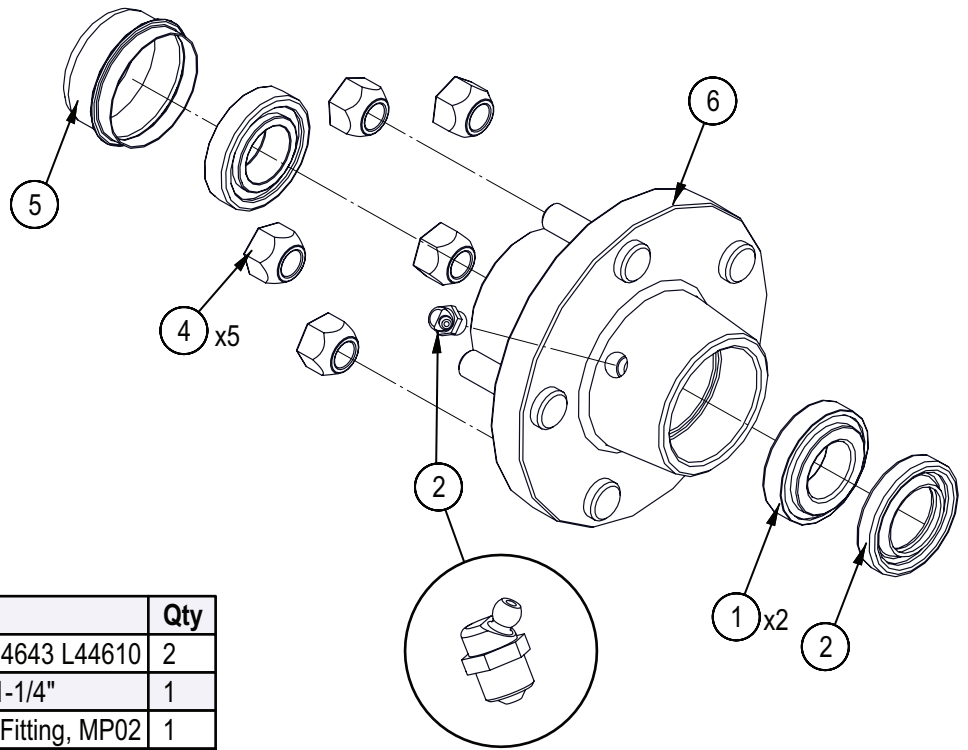
Item No.	Part No.	Description	Qty
11	Z72251	Hex Lock Nut, 1/2NC	1
12	Z72263	Hex CTR-lock Nut, 5/8NC	1
13	Z72521	Serrated Flange Locknut, 5/16NC	1
14	Z73131	SAE Washer, 3/8"	2
15	Z73232	Extra Wide Washer, 3/8"	1
16	Z74121	Set Screw, 5/16NC x 3/8"	2
17	Z75571	Shoulder Bolt, 3/4" x 1-1/2"	1
18	Z76121	Flange Bolt, 5/16NC x 3/4"	2
19	Z76222	Carriage Bolt, 5/16NC x 5/8"	1

Apron Drive Ratchet Mechanism



Item No.	Part No.	Description	Qty
1	7015L524	Handle, Ratchet Speed Set	1
2	7015M512	Flange Bushing	1
3	7015M514	Bushing, Link Arm Bolt	1
4	7015M517	Bolt Spacer	1
5	7015W510	Arm, Apron Ratchet Drive	2
6	7015W511	Slide, Speed Adjuster	1
7	7015W512	Dog, Ratchet	2
8	7015W513	Ratchet, Apron Drive	1
9	7015W514	#50 24Tooth Sprocket Hub	1
10	7015W515	Arm, Ratchet Drive Link	1
11	Z21204	Ball Bearing, 1635-2RS x Self Aligning	3
12	Z26303	Bronze Bushing, 1" ID x 1-1/4" OD x 1-1/4" Long Grooved OD	2
13	Z29202	Grease Fitting, 1/4NF	2
14	Z71310	Hex Bolt, 3/8NC x 1"	1
15	Z71525	Hex Bolt, 1/2NC x 2-1/2"	1
16	Z71527	Hex Bolt, 1/2NC x 2-3/4"	2
17	Z72231	Hex Lock Nut, 3/8NC	1
18	Z72251	Hex Lock Nut, 1/2NC	3
19	Z26201	Bronze Bushing, 3/4" ID x 1" OD x 1-1/2" Long	1

Hub Assembly

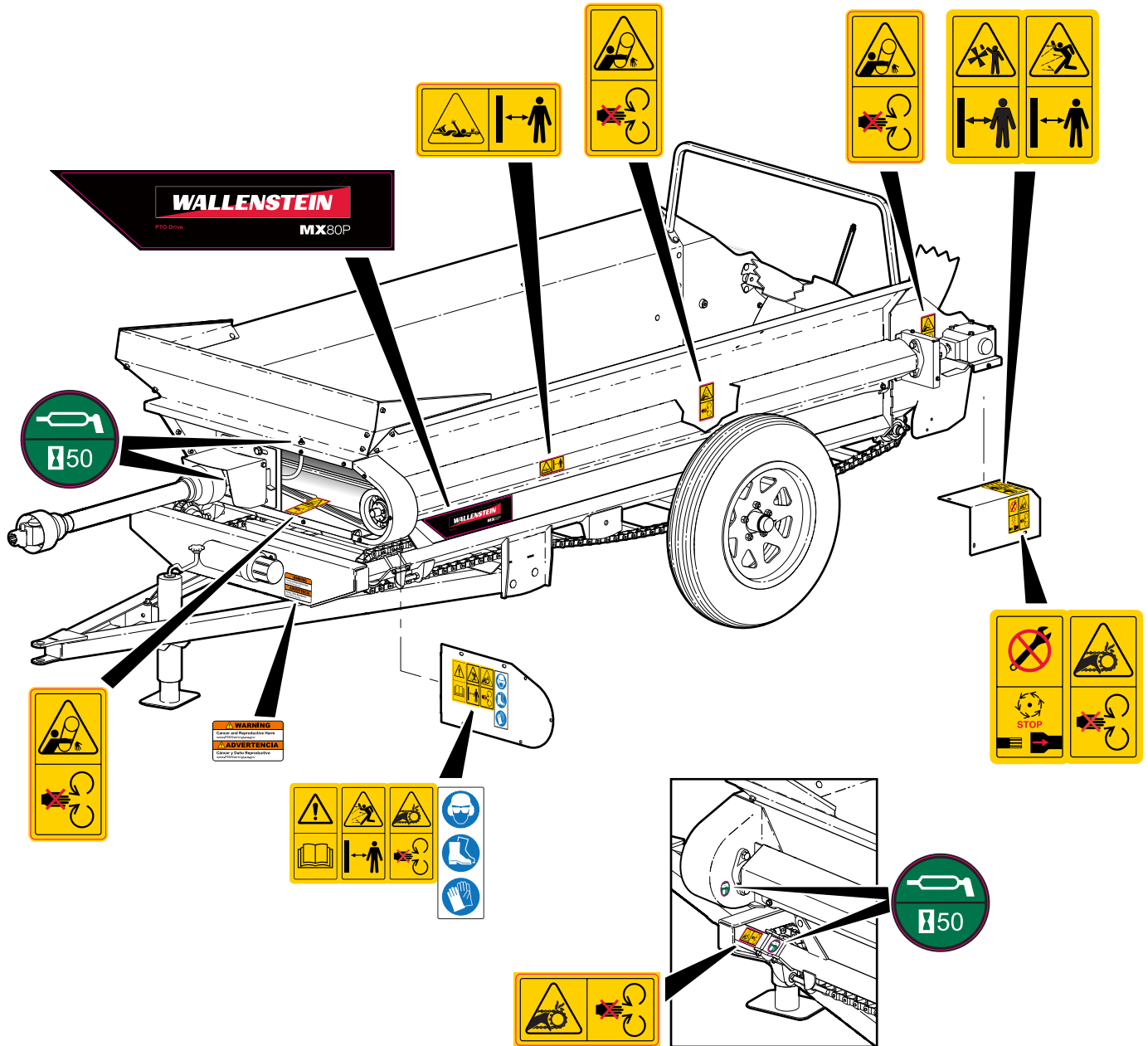


Item No.	Part No.	Description	Qty
1	Z23201	Roller Bearing, L44643 L44610	2
2	Z28301	Double Lip Seal, 1-1/4"	1
3	Z29204	Elbow 45 Grease Fitting, MP02	1
4	Z72931	Lug Nut, 1/2NF	5
5	Z91801	Dust Cap, 1.98 Bore	1
6	Z91203	Hub, 1100lbs x 5on4-1/2"	1

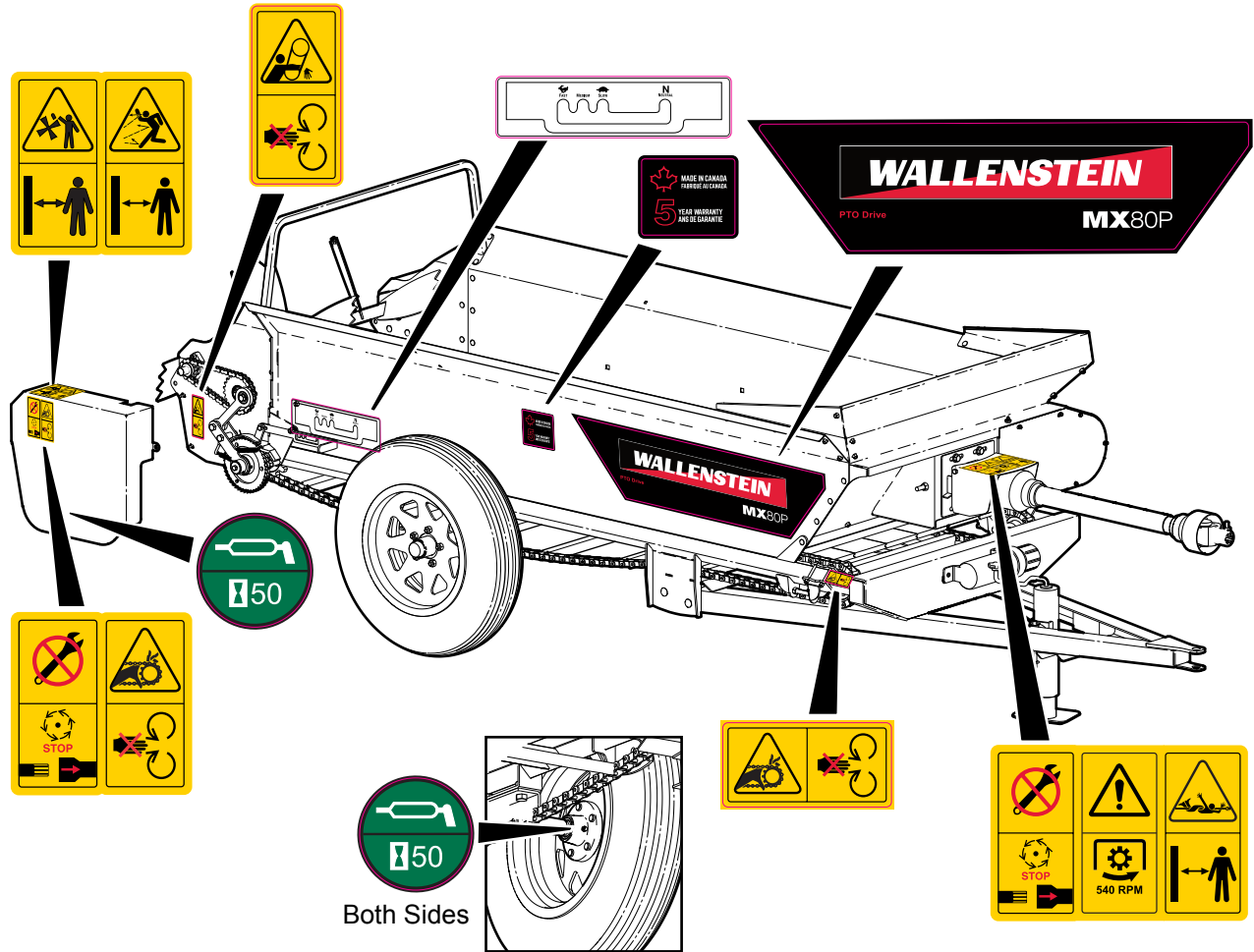
Decal Layout

IMPORTANT! If parts are replaced that have safety signs on them, new signs must be applied. Safety signs must always be replaced if they become damaged, are removed, or become illegible.

Safety signs are included in the product decal kit available from your authorized dealer. Decals are not available separately.

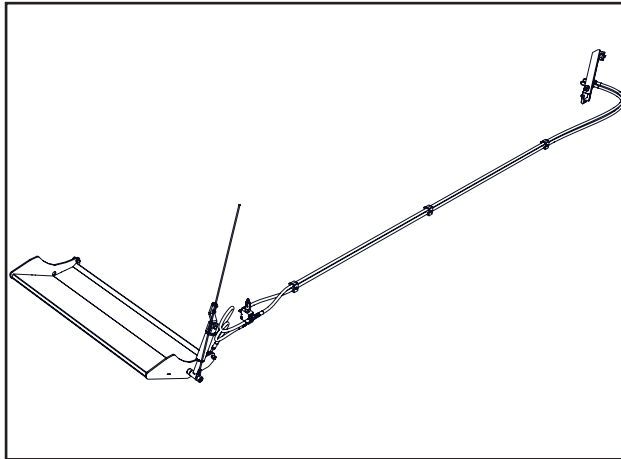


Decal Layout



Accessories

Call your dealer for pricing and availability

**Fines Pan – P/N M7590**

The Fines Pan provides a more consistent spread of manure by causing all manure to be discharged by the beater paddles.

Kit consists of fines pan and hardware.

Must be dealer installed.


Common Bolt Torque Values

Checking Bolt Torque

The tables shown give correct torque values for various bolts and capscrews. Tighten all bolts to the torque values specified in the table, unless indicated otherwise. Check tightness of bolts periodically.

IMPORTANT! If replacing hardware, use fasteners of the same grade.

IMPORTANT! Torque figures indicated in the table are for non-greased or non-oiled threads. Do not grease or oil threads unless indicated otherwise. When using a thread locker, increase torque values by 5%.

 **NOTE:** Bolt grades are identified by their head markings.

Imperial Bolt Torque Specifications

Bolt Diameter	Torque Value					
	SAE Gr. 2		SAE Gr. 5		SAE Gr. 8	
	lbf•ft	N•m	lbf•ft	N•m	lbf•ft	N•m
1/4"	6	8	9	12	12	17
5/16"	10	13	19	25	27	36
3/8"	20	27	33	45	45	63
7/16"	30	41	53	72	75	100
1/2"	45	61	80	110	115	155
9/16"	60	95	115	155	165	220
5/8"	95	128	160	215	220	305
3/4"	165	225	290	390	400	540
7/8"	170	230	420	570	650	880
1"	225	345	630	850	970	1320



SAE Gr. 2



SAE Gr. 5



SAE Gr. 8

Metric Bolt Torque Specifications

Bolt Diameter	Torque Value			
	Gr. 8.8		Gr. 10.9	
	lbf•ft	N•m	lbf•ft	N•m
M3	0.4	0.5	1.3	1.8
M4	2.2	3	3.3	4.5
M6	7	10	11	15
M8	18	25	26	35
M10	37	50	52	70
M12	66	90	92	125
M14	83	112	116	158
M16	166	225	229	310
M20	321	435	450	610
M30	1,103	1 495	1,550	2 100



8.8



10.9

Wheel Lug Torque Values

It is extremely important safety procedure to apply and maintain proper wheel mounting torque on your trailer axle. Torque wrenches are the best method to assure the proper amount of torque is being applied to a fastener.

Wheel lugs should be torqued before first road use and after each wheel removal. Check and re-torque after the first 10 miles (16 km), 25 miles (40 km), and again at 50 miles (80 km). Check periodically thereafter.

WARNING!

Wheel lug nuts must be installed and kept at the proper torque value to prevent loose wheels, broken studs, or possible separation of wheels from axle.

- Start all lug nuts onto the threads by hand.
- Tighten lug nuts in stages, following the pattern shown in the Wheel Lug Nut Torque table.

Wheel Lug Nut Torque				
Wheel Size	Units	1st Stage	2nd Stage	3rd Stage
8"	lbf•ft N•m	12–20 16–26	30–35 39–45.5	45–55 58.5–71.5
12"	lbf•ft N•m	20–25 26–32.5	35–40 45.5–52	50–60 65–78
13"	lbf•ft N•m	20–25 26–32.5	35–40 45.5–52	50–60 65–78
14"	lbf•ft N•m	20–25 26–32.5	50–60 65–78	90–120 117–156
15"	lbf•ft N•m	20–25 26–32.5	50–60 65–78	90–120 117–156
16"	lbf•ft N•m	20–25 26–32.5	50–60 65–78	90–120 117–156

Wheel Lug Torque Pattern

