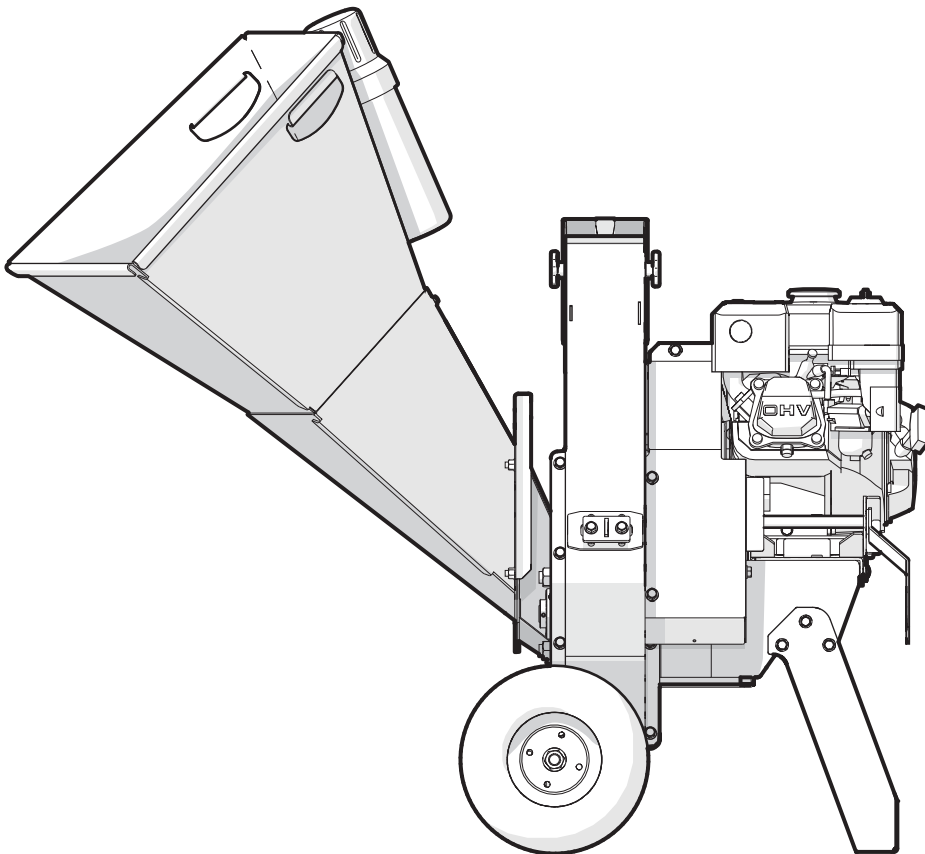


# PARTS MANUAL

---

Serial Number 1C34424 to 1C34471, 100064 to 100158, 1100000 and up

## BXC34 Wood Chipper



## Introduction

This Wallenstein parts manual is prepared to assist customers in ordering quality OEM replacement parts.

Regular maintenance combined with replacing old, worn or broken parts with the correct OEM parts is essential in prolonging the life of your Wallenstein product. Refer to this manual to identify replacement parts.

To order parts, contact your Wallenstein dealer or distributor. Have the product model and serial number handy.

If your dealer is no longer available, please go to [WallensteinEquipment.com](http://WallensteinEquipment.com). At the bottom of the page, select Dealer Locator.

All information contained in this parts manual is current as per the revision date at the bottom of the page. Wallenstein reserves the right to change product specifications at any time without notice.

If your product specifications differ from those contained in this manual, contact Wallenstein for current information.

Reproduction of information in this parts manual is prohibited without prior written permission from Wallenstein Equipment Inc.

Wallenstein Equipment Inc. • © 2023

### **! WARNING!**

**For safety, operation, and maintenance information, see the Operator's Manual.**

**Maintenance should be performed by trained personnel only.**

### Serial Number Location

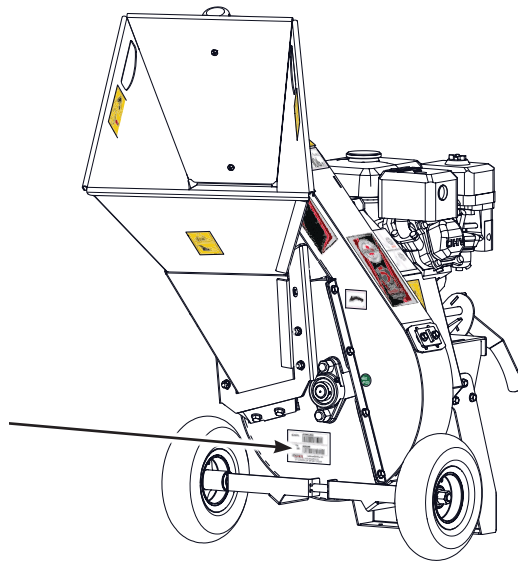
Always provide the model and serial number of your Wallenstein product when ordering parts or requesting service or other information. The serial number is on the product information plate as shown below.

**Record your product information here for future reference.**

**Model** \_\_\_\_\_

**Serial Number** \_\_\_\_\_

**Model and Serial Number Location**

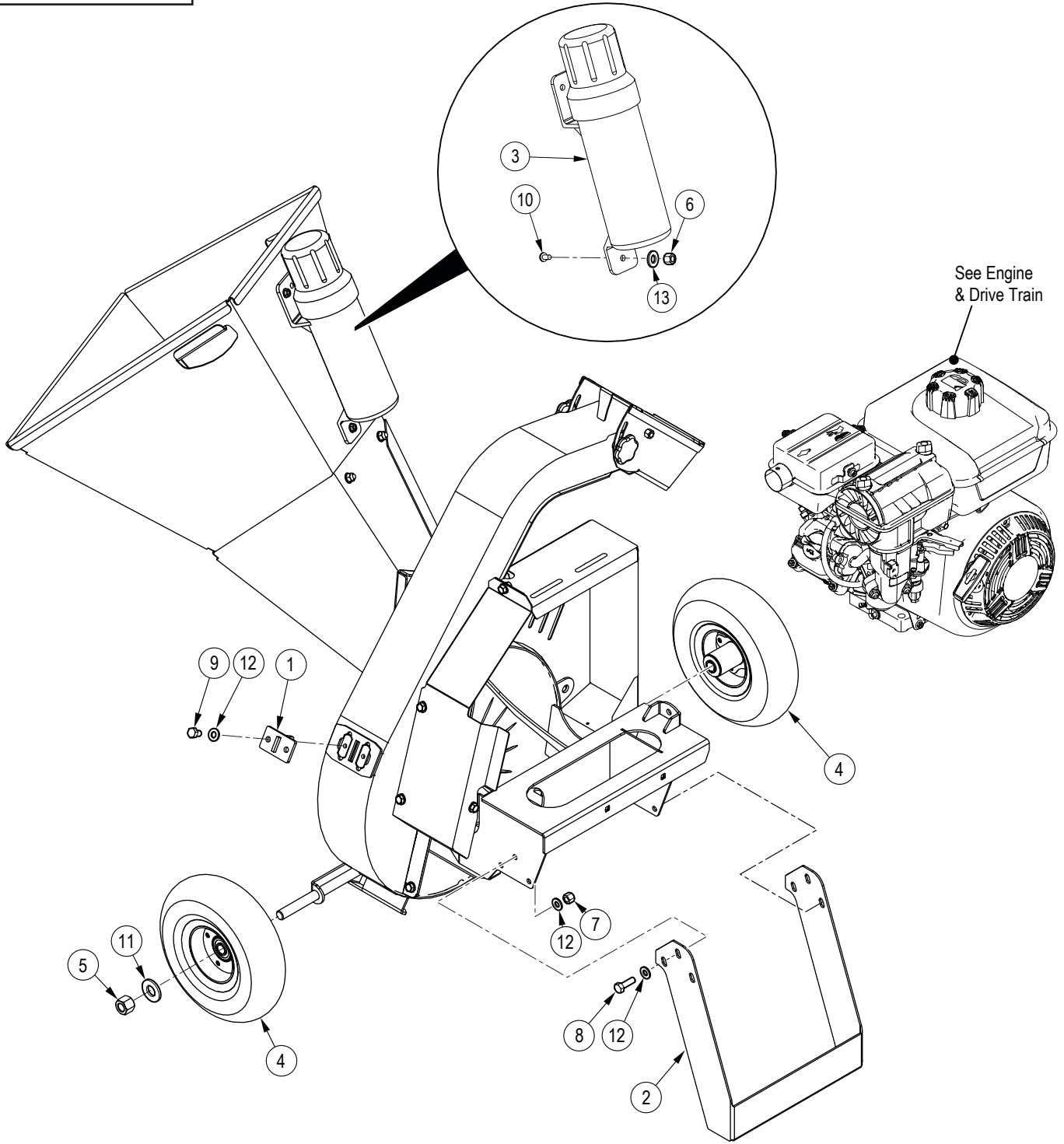


[www.wallensteinequipment.com](http://www.wallensteinequipment.com)

## Contents

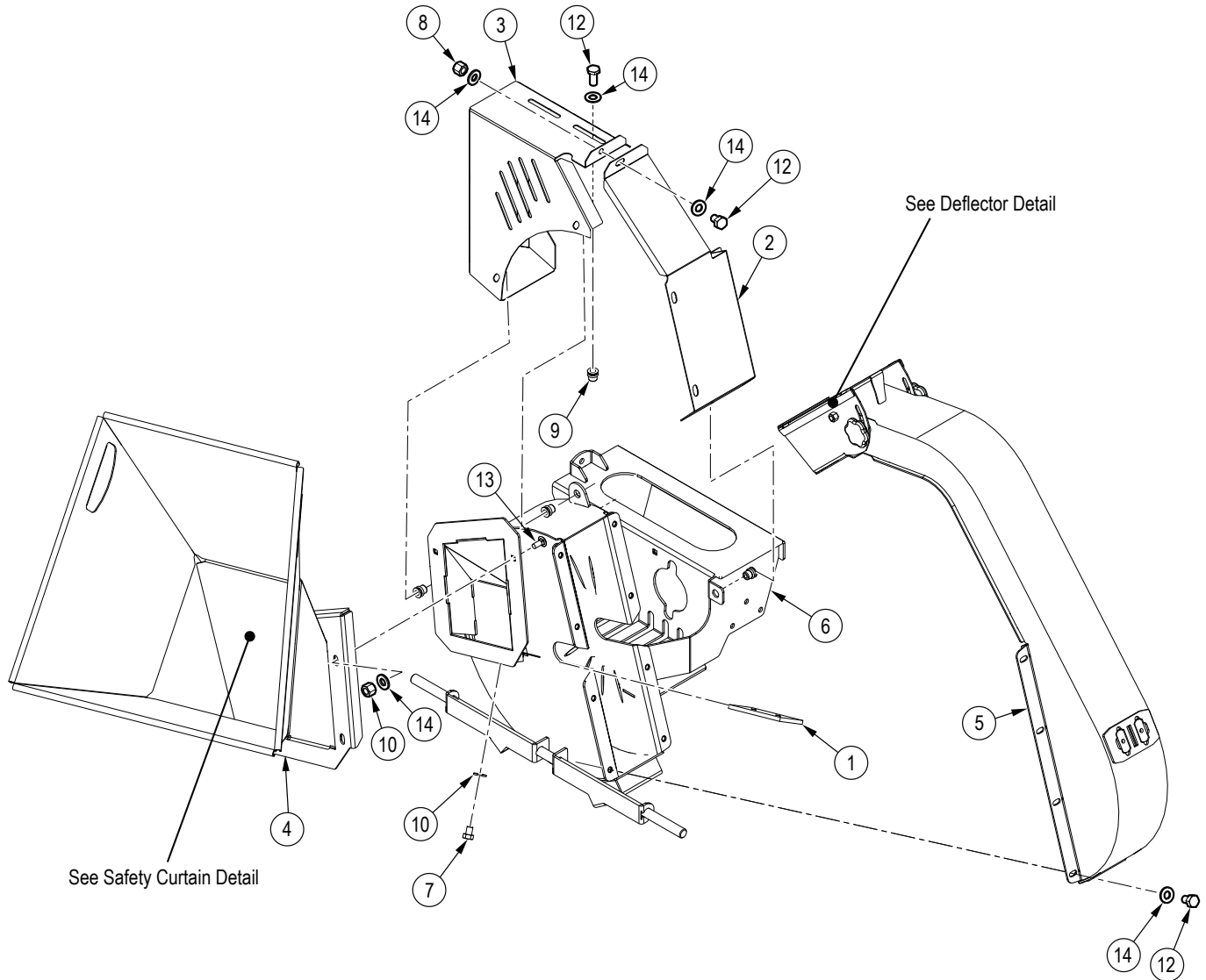
<b>Main Parts</b> .....	<b>4</b>
<b>Upper and Lower Rotor Housing</b> .....	<b>5</b>
<b>Rotor Parts</b> .....	<b>6</b>
<b>Engine and Driveline</b> .....	<b>7</b>
<b>Deflector Detail</b> .....	<b>8</b>
<b>Safety Flap Detail</b> .....	<b>8</b>
<b>Decals</b> .....	<b>9</b>
<b>Accessories</b> .....	<b>10</b>

**Main Parts**



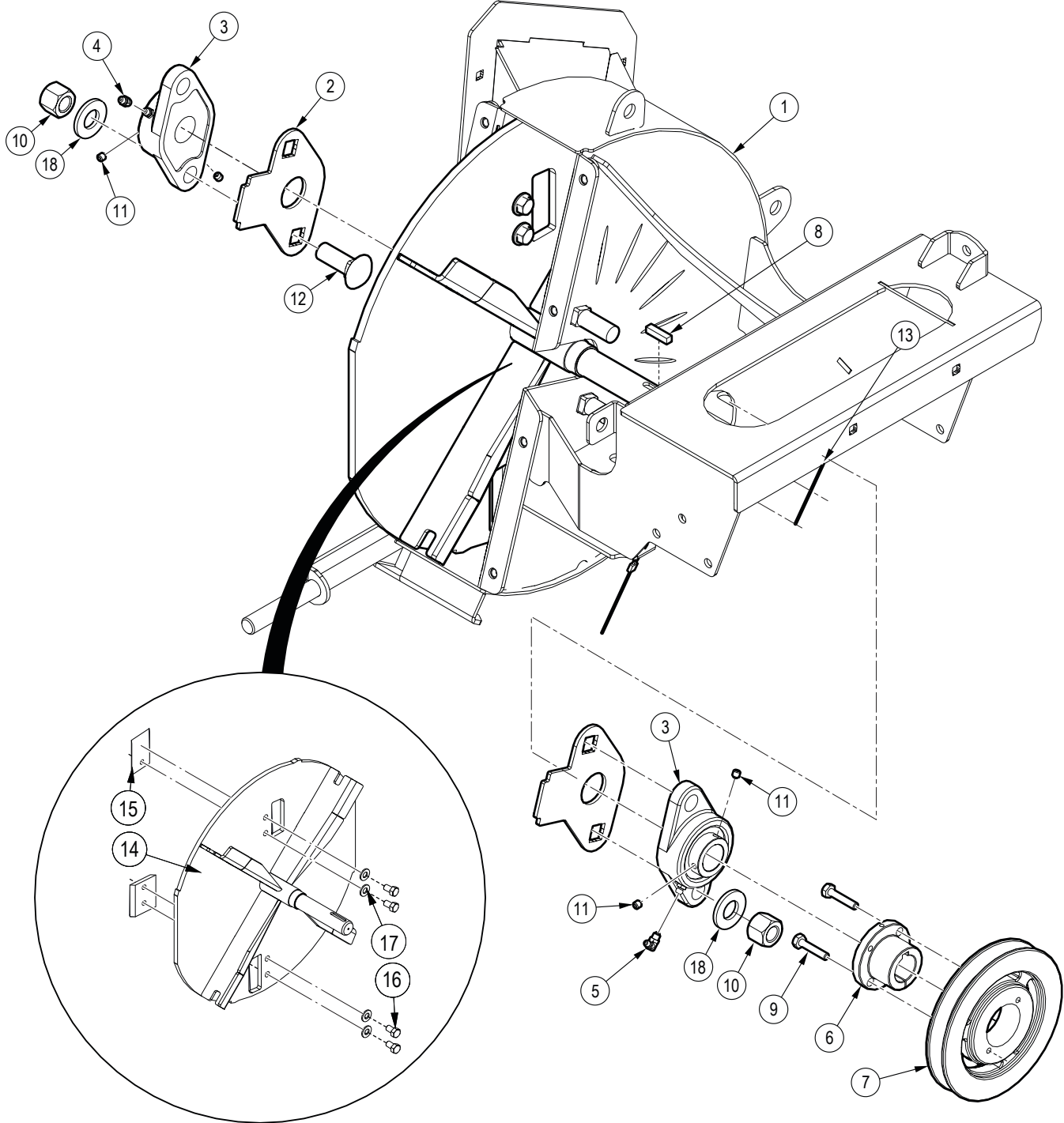
Item	Part No.	Description	Qty	Item	Part No.	Description	Qty
1	1073W126	Twig Breaker	1	9	Z71205	Hex Bolt, 5/16NC x 1/2"	2
2	1073L239	Front Leg	1	10	Z78318	Machine Screw, 1/4NC x 7/8"	3
3	Z96503	Manual Tube, 3-1/2" Short	1	11	Z73161G8	SAE Washer, 5/8" Grade 8	2
4	Z91307	4.10-3.50-4NHS LRB 300lbs x 5/8"	2	12	Z73122G8	SAE Washer, 5/16" Grade 8	8
5	Z72261	Hex Lock Nut, 5/8NC	2	13	Z73111G8	SAE Washer, 1/4" Grade 8	3
6	Z72211	Hex Lock Nut, 1/4NC	3				
7	Z72221	Hex Lock Nut, 5/16NC	6				
8	Z71210	Hex Bolt, 5/16NC x 1"	6				

## Upper and Lower Rotor Housing



Item No.	Part No.	Description	Qty
1	1056M304	Knife, 3" Ledger	1
2	1075L521	Shield, Actuator Side	1
3	1075L600	Shield, Engine Side	1
4	1075W561	Weldment, Feed Hopper	1
5	1075W552	Weldment, Upper Housing	1
6	1075W560	Weldment, Lower Housing	1
7	Z71376G8	Hex Bolt, 3/8NF x 1/2" G8	2
8	Z72221	Hex Lock Nut, 5/16NC	5
9	Z72956	Rivet Nut, 5/16NC x 150	7
10	Z73131	SAE Washer, 3/8"	2
12	Z71207	Hex Bolt, 5/16NC x 3/4"	15
13	Z76221	Carriage Bolt, 5/16NC x 3/4"	4
14	Z73122G8	SAE Washer, 5/16" Grade 8	15

**Rotor Parts**

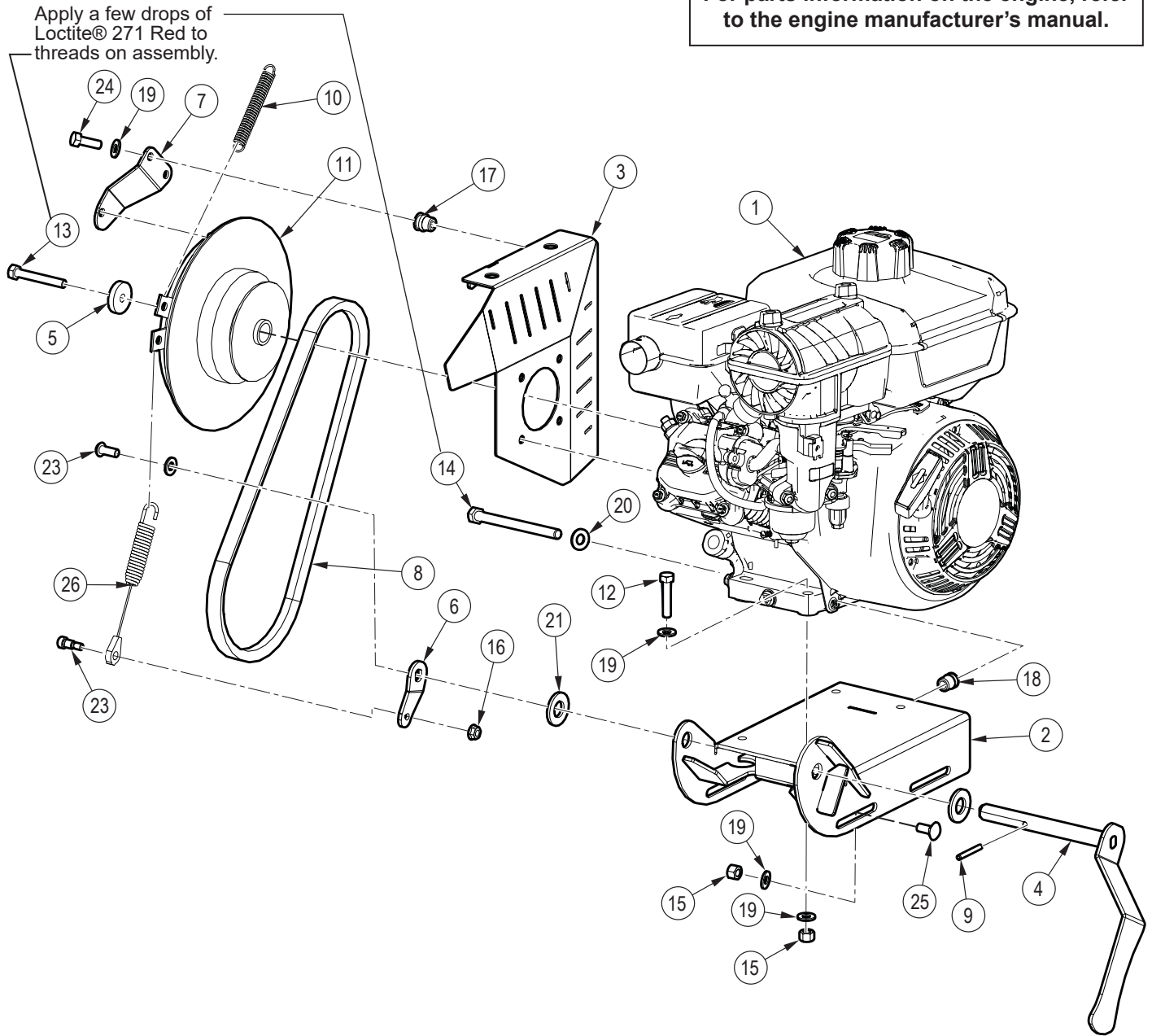


Item No.	Part No.	Description	Qty
1	1075A501	Rotor Assembly	1
2	1075L197	Bearing Cover Plate	2
3	Z25101	2-Bolt Flange Bearing	2
4	Z29202	Grease Fitting, 1/4NF	1
5	Z29203	Elbow 90 Grease Fitting, 1/4NF	1
6	Z41510	Hub, L x 1"	1
7	Z41615	Sheave, MBL57 x L	1
8	Z46533	Key, 1/4" x 1/4" x 1"	1
9	Z71112	Hex Bolt, 1/4NC x 1-1/4"	2

Item	Part No.	Description	Qty
10	Z72261	Hex Lock Nut, 5/8NC	4
11	Z74111	Set Screw, 1/4NC x 1/4"	4
12	Z76262	Carriage Bolt, 5/8NC x 1-3/4"	4
13	Z92110	Aircraft Cable, 1/16" x 24"	2
14	1075W550	Rotor Weldment	1
16	Z71372G8	Hex Bolt, 3/8NF x 5/8" G8	4
17	Z73131	SAE Washer, 3/8"	4
18	Z73161G8	SAE Washer, 5/8" Grade 8	4

**Engine and Driveline**

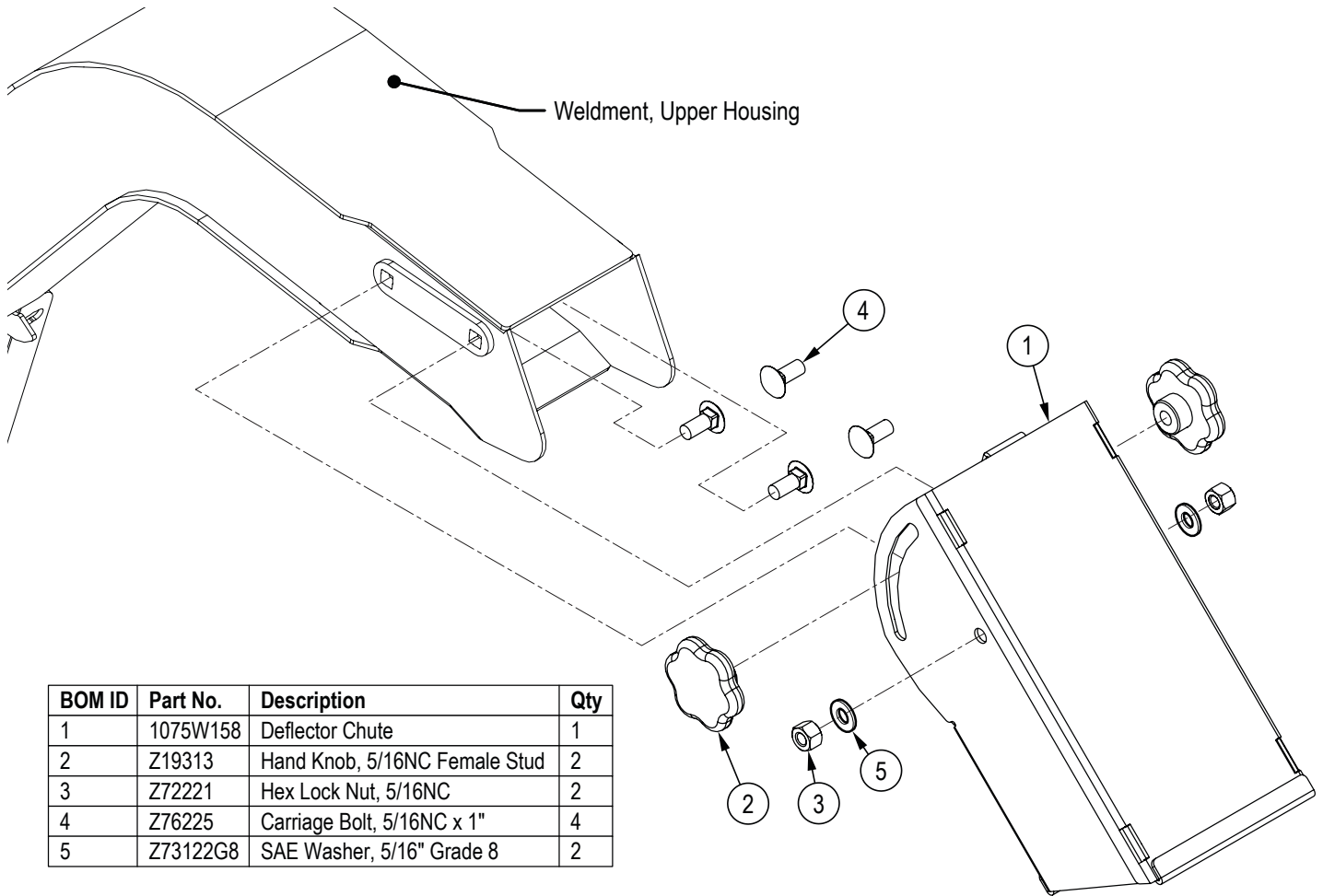
For parts information on the engine, refer to the engine manufacturer's manual.



Item No.	Part No.	Description	Qty
1	Z47752	Vanguard (R) 6.5 hp (203 cc)	1
2	1075W504	Weldment, Sliding Engine Base	1
3	1075W502	Weldment, Shield Mount	1
4	1075W503	Clutch Actuator	1
5	1073L255	Trap Washer	1
6	1075L602	Clutch Actuator Foot	1
7	1075L509	Clutch Keep	1
8	Z41164	Single Belt, B32	1
9	Z14151	Roll Pin, 3/16" x 1-1/2"	1
10	Z31304	Ext Spring, 1/2" OD x 2-1/2" x .063"	1
11	Z49301	Brake Clutch, 3.6" x 3/4"	1
12	Z71215	Hex Bolt, 5/16NC x 1-1/2"	4
13	Z71277G8	Hex Bolt, 5/16NF x 2-1/4" G8	1
14	Z71390FT	Hex Bolt, 3/8NC x 5" Full Threads	1

Item	Part No.	Description	Qty
15	Z72221	Hex Lock Nut, 5/16NC	8
16	Z72511	Serrated Flange Locknut, 1/4NC	1
17	Z72956	Rivet Nut, 5/16NC x 150	2
18	Z72958	Rivet Nut, 3/8NC x 150	1
19	Z73122	SAE Washer, 5/16"	12
20	Z73131	SAE Washer, 3/8"	1
21	Z73161	SAE Washer, 5/8"	2
22	Z75351	BHCS, 5/16NF x 3/4"	5
23	Z75523	Shoulder Bolt, 5/16" x 3/8"	1
24	Z71207	Hex Bolt, 5/16NC x 3/4"	2
25	Z76221	Carriage Bolt, 5/16NC x 3/4"	4
26	Z92117	Clutch Actuator Cable with Spring and 5/16" Eye	1

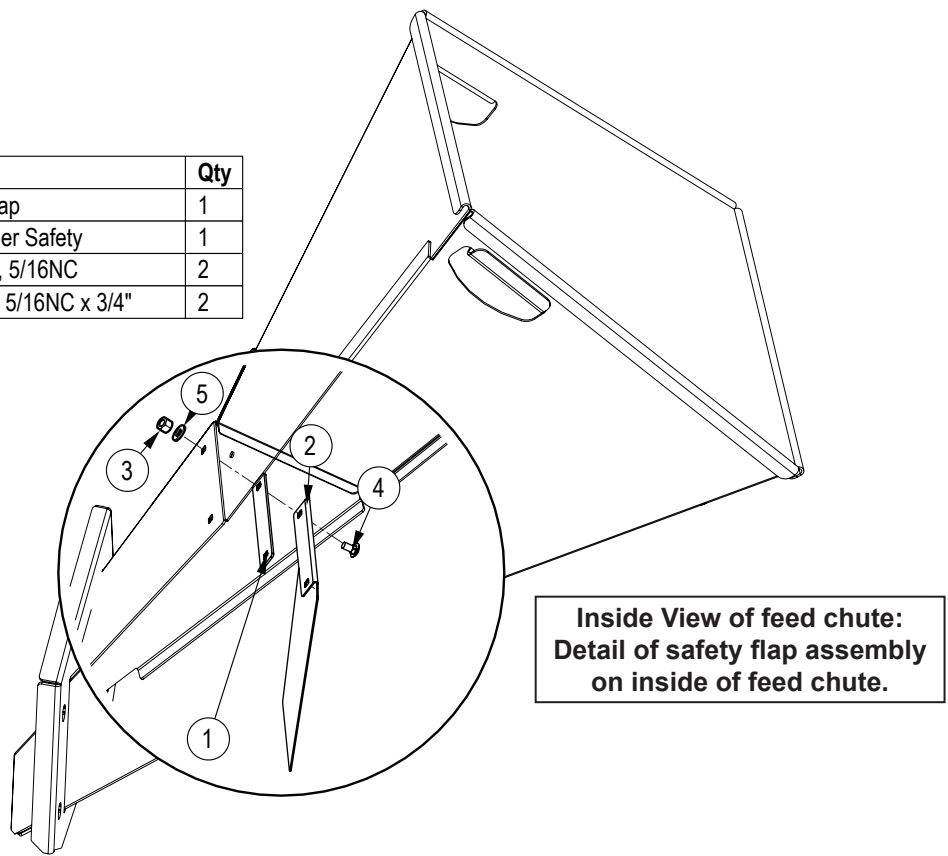
**Deflector Detail**



BOM ID	Part No.	Description	Qty
1	1075W158	Deflector Chute	1
2	Z19313	Hand Knob, 5/16NC Female Stud	2
3	Z72221	Hex Lock Nut, 5/16NC	2
4	Z76225	Carriage Bolt, 5/16NC x 1"	4
5	Z73122G8	SAE Washer, 5/16" Grade 8	2

**Safety Curtain Detail**

BOM ID	Part No.	Description	Qty
1	1075L214	Plate, Flap Trap	1
2	1075S154	Curtain, Rubber Safety	1
3	Z72221	Hex Lock Nut, 5/16NC	2
4	Z76221	Carriage Bolt, 5/16NC x 3/4"	2





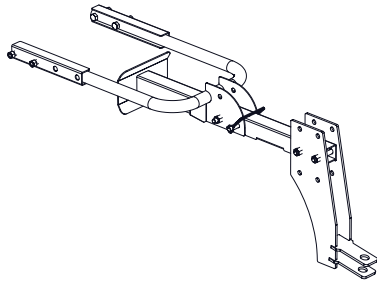


**Accessories**

Call your dealer for pricing and availability

**Ledger Clearance Setting Gauge**  
**P/N – 1012L269**

An easy and accurate way of setting the critical clearances between the ledger knife and the rotor knife.

**Garden Tractor Hitch**  
**P/N – 1082A355**

Tow the wood chipper by attaching it to a garden tractor or an ATV.

## Bolt Torque

**IMPORTANT!** If you replace hardware, use fasteners of the same grade.

**IMPORTANT!** The torque specifications in these tables are for non-greased or non-oiled threads. Do not grease or oil fastener threads unless otherwise indicated. When using a thread lock, increase the specified torque 5%.



*Bolt grades are identified by the marks on the bolt head.*

The bolt torque specification tables provide the correct torque settings for common bolts and capscrews. Tighten all bolts to the torque that is specified in the table, unless otherwise indicated. Check the bolt tightness periodically.

### Imperial Bolt Torque Specifications

Bolt Diameter	Torque					
	SAE Gr. 2		SAE Gr. 5		SAE Gr. 8	
	lbf•ft	N•m	lbf•ft	N•m	lbf•ft	N•m
1/4 inch	6	8	9	12	12	17
5/16 inch	10	13	19	25	27	36
3/8 inch	20	27	33	45	45	63
7/16 inch	30	41	53	72	75	100
1/2 inch	45	61	80	110	115	155
9/16 inch	60	95	115	155	165	220
5/8 inch	95	128	160	215	220	305
3/4 inch	165	225	290	390	400	540
7/8 inch	170	230	420	570	650	880



SAE Gr. 2



SAE Gr. 5



SAE Gr. 8

### Metric Bolt Torque Specifications

Bolt Diameter	Torque			
	Gr. 8.8		Gr. 10.9	
	lbf•ft	N•m	lbf•ft	N•m
M3	0.4	0.5	1.3	1.8
M4	2.2	3	3.3	4.5
M6	7	10	11	15
M8	18	25	26	35
M10	37	50	52	70
M12	66	90	92	125
M14	83	112	116	158
M16	166	225	229	310
M20	321	435	450	610
M30	1,103	1,495	1,550	2,100



8.8



10.9