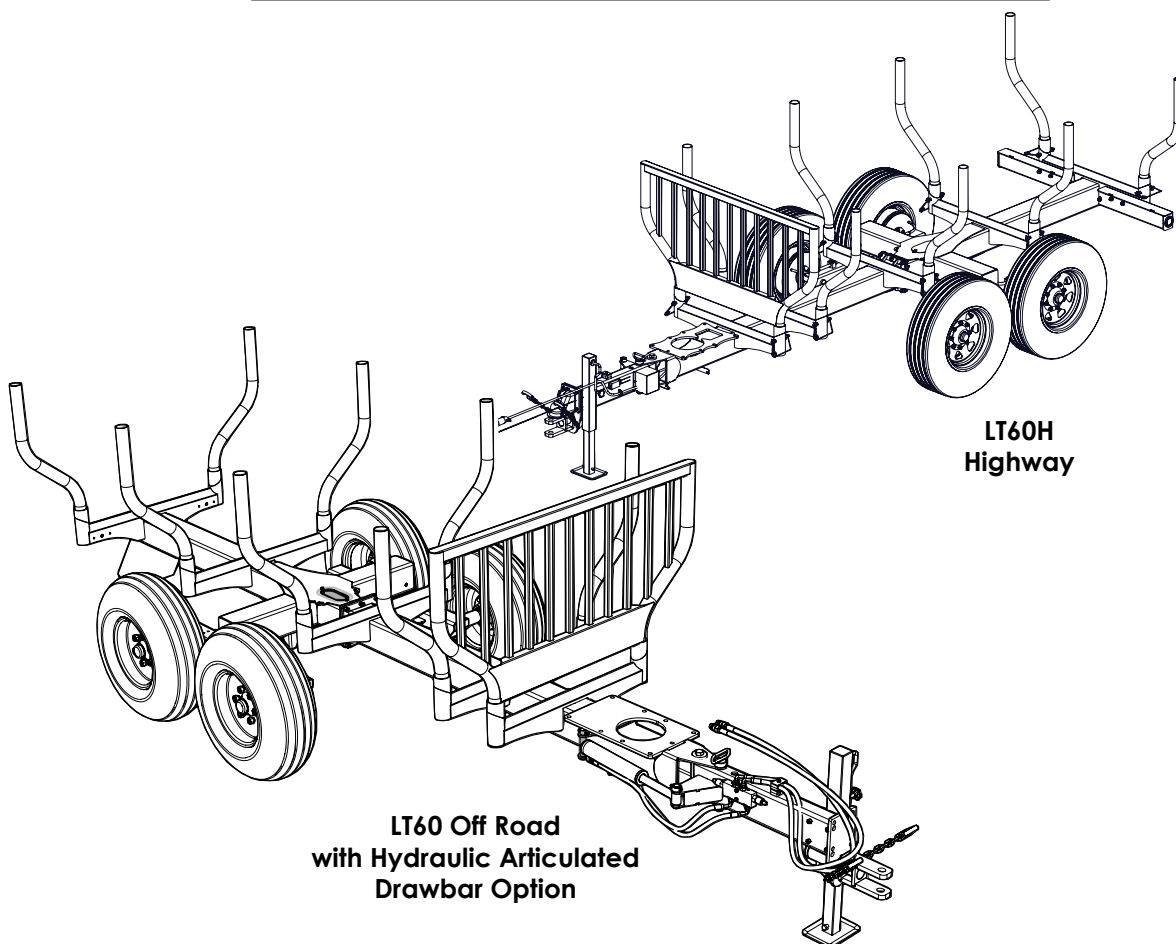




EMB Manufacturing Inc.  
4144 Boomer Line · St. Clements, On · N0B 2M0 · Canada  
Ph: (519) 699-9283 · Fax: (519) 699-4146  
www.embmfg.com

# LT60 Timber Talon Log Trailer Parts Manual

LT60H S/N 2E9US1113FS060032 to 2E9US1119FS060051  
LT60 S/N 60T14 to 60T19



LT60H  
Highway

LT60 Off Road  
with Hydraulic Articulated  
Drawbar Option



Refer to the operators  
manual for safe  
operation and  
maintenance

# Foreword

EMB Mfg. has prepared this parts manual to assist customers in ordering quality OEM replacement parts.

Proper and regular service and replacing old, worn or broken parts with the correct OEM parts are essential to prolonging the life of your EMB product. Please refer to this manual before ordering any replacement parts.

All information contained in this parts manual is based on the latest product specification available at the time of printing this manual. If your product differs from the specifications contained within this manual contact EMB Mfg. for information.

EMB reserves the right to alter specifications on their products at any time.

Reproduction of this parts manual of any kind is prohibited without prior written permission from EMB Mfg.

For parts and information please contact your dealer. If your dealer is no longer available please go to our website: <http://www.wallensteinequipment.com> and click on "FIND A DEALER NEAR YOU" for information on a local dealer.

## Table of Contents

<b>Bolt Torque.....</b>	<b>4</b>
<b>Hydraulic Fitting Torque .....</b>	<b>5</b>
<b>Wheel Lug Torque .....</b>	<b>5</b>
<b>LX115 / LT60 Variation Chart.....</b>	<b>6</b>
<b>Main Frame Ass'y .....</b>	<b>7</b>
<b>Axle Ass'y .....</b>	<b>8</b>
<b>Tongue Ass'y .....</b>	<b>9</b>
<b>Tail Ass'y .....</b>	<b>9</b>
<b>Hub Ass'y.....</b>	<b>10</b>
<b>Brake Drum Ass'y.....</b>	<b>10</b>
<b>Electric Brake Ass'y .....</b>	<b>11</b>
<b>Hydraulic Drawbar Option.....</b>	<b>12</b>
<b>Hydraulic Drawbar Schematic.....</b>	<b>12</b>
<b>Cylinder Seal Installation .....</b>	<b>13</b>
<b>Hydraulic Drawbar Cylinder .....</b>	<b>13</b>
<b>Hose List.....</b>	<b>13</b>
<b>Labels.....</b>	<b>14</b>
<b>Accessories.....</b>	<b>15</b>

Maintenance should be performed by  
trained personnel only.



Refer to the operators  
manual for safe  
operation and  
maintenance

**Bolt Torque**

**CHECKING BOLT TORQUE**

The tables shown below give correct torque values for various bolts and capscrews. Tighten all bolts to the torques specified in chart unless otherwise noted. Check tightness of bolts periodically, using bolt torque chart as a guide. Replace hardware with the same strength bolt.

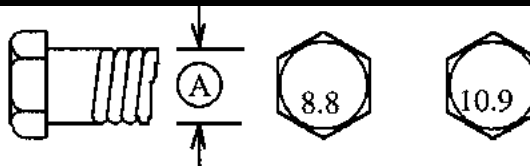
ENGLISH TORQUE SPECIFICATIONS						
Bolt Diameter "A"	Bolt Torque*					
	SAE 2 (N.m) (lb-ft)		SAE 5 (N.m) (lb-ft)		SAE 8 (N.m) (lb-ft)	
1/4"	8	6	12	9	17	12
5/16"	13	10	25	19	36	27
3/8"	27	20	45	33	63	45
7/16"	41	30	72	53	100	75
1/2"	61	45	110	80	155	115
9/16"	95	60	155	115	220	165
5/8"	128	95	215	160	305	220
3/4"	225	165	390	290	540	400
7/8"	230	170	570	420	880	650
1"	345	225	850	630	1320	970



Torque figures indicated above are valid for non-greased or non-oiled threads and heads unless otherwise specified. Therefore, do not grease or oil bolts or capscrews unless otherwise specified in this manual. When using locking elements, increase torque values by 5%.

\* Torque value for bolts and capscrews are identified by their head markings.

METRIC TORQUE SPECIFICATIONS				
Bolt Diameter "A"	Bolt Torque*			
	8.8 (N.m) (lb-ft)		10.9 (N.m) (lb-ft)	
M3	0.5	0.4	1.8	1.3
M4	3	2.2	4.5	3.3
M5	6	4	9	7
M6	10	7	15	11
M8	25	18	35	26
M10	50	37	70	52
M12	90	66	125	92
M14	140	103	200	148
M16	225	166	310	229
M20	435	321	610	450
M24	750	553	1050	774
M30	1495	1103	2100	1550
M36	2600	1917	3675	2710



### Hydraulic Fitting Torque

#### Tightening Flare Type Tube Fittings \*

1. Check flare and flare seat for defects that might cause leakage.
2. Align tube with fitting before tightening.
3. Lubricate connection and hand tighten swivel nut until snug.
4. To prevent twisting the tube(s), use two wrenches. Place one wrench on the connector body and with the second tighten the swivel nut to the torque shown.

Tube Size OD (in.)	Nut Size Across Flats (in.)	Torque Value*		Recommended Turns To Tighten (After Finger Tightening)	
		(N.m)	(lb-ft)	(Flats)	(Turn)
3/16	7/16	8	6	1	1/6
1/4	9/16	12	9	1	1/6
5/16	5/8	16	12	1	1/6
<b>3/8</b>	<b>11/16</b>	<b>24</b>	<b>18</b>	<b>1</b>	<b>1/6</b>
1/2	7/8	46	34	1	1/6
5/8	1	62	46	1	1/6
3/4	1-1/4	102	75	3/4	1/8
7/8	1-3/8	122	90	3/4	1/8

The torque values shown are based on lubricated connections as in reassembly.

### Wheel Lug Torque

It is extremely important safety procedure to apply and maintain proper wheel mounting torque on your trailer axle. Torque wrenches are the best method to assure the proper amount of torque is being applied to a fastener.

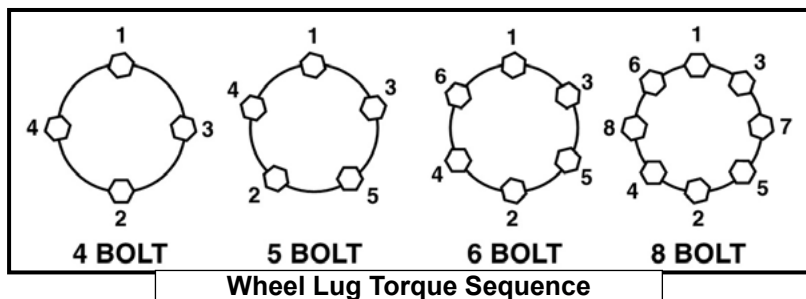
Wheel lugs should be torqued before first road use and after each wheel removal. Check and re torque after the first 16Km (10 miles), 40Km (25 miles), and again at 80Km (50 miles). Check periodically thereafter.

Note: Wheel lugs must be applied and maintained at the proper torque levels to prevent loose wheels, broken studs, and possible dangerous separation of wheels from your axle.

- Start all lugs by hand to prevent cross threading.
- Tighten lugs in sequence, per wheel lug torque sequence chart.
- The tightening of the fasteners should be done in stages. Following the recommended sequence, tighten fasteners per wheel torque requirements chart.

#### Wheel Torque Requirements

Wheel Size	Torque Unit	1st Stage	2nd Stage	3rd Stage
8"	ft-lbs	12 - 20	30 - 35	45 - 55
	Nm	16 - 26	39 - 45.5	58.5 - 71.5
12"	ft-lbs	20 - 25	35 - 40	50 - 60
	Nm	26 - 32.5	45.5 - 52	65 - 78
13"	ft-lbs	20 - 25	35 - 40	50 - 60
	Nm	26 - 32.5	45.5 - 52	65 - 78
14"	ft-lbs	20 - 25	50 - 60	90 - 120
	Nm	26 - 32.5	65 - 78	117 - 156
15"	ft-lbs	20 - 25	50 - 60	90 - 120
	Nm	26 - 32.5	65 - 78	117 - 156
16"	ft-lbs	20 - 25	50 - 60	90 - 120
	Nm	26 - 32.5	65 - 78	117 - 156

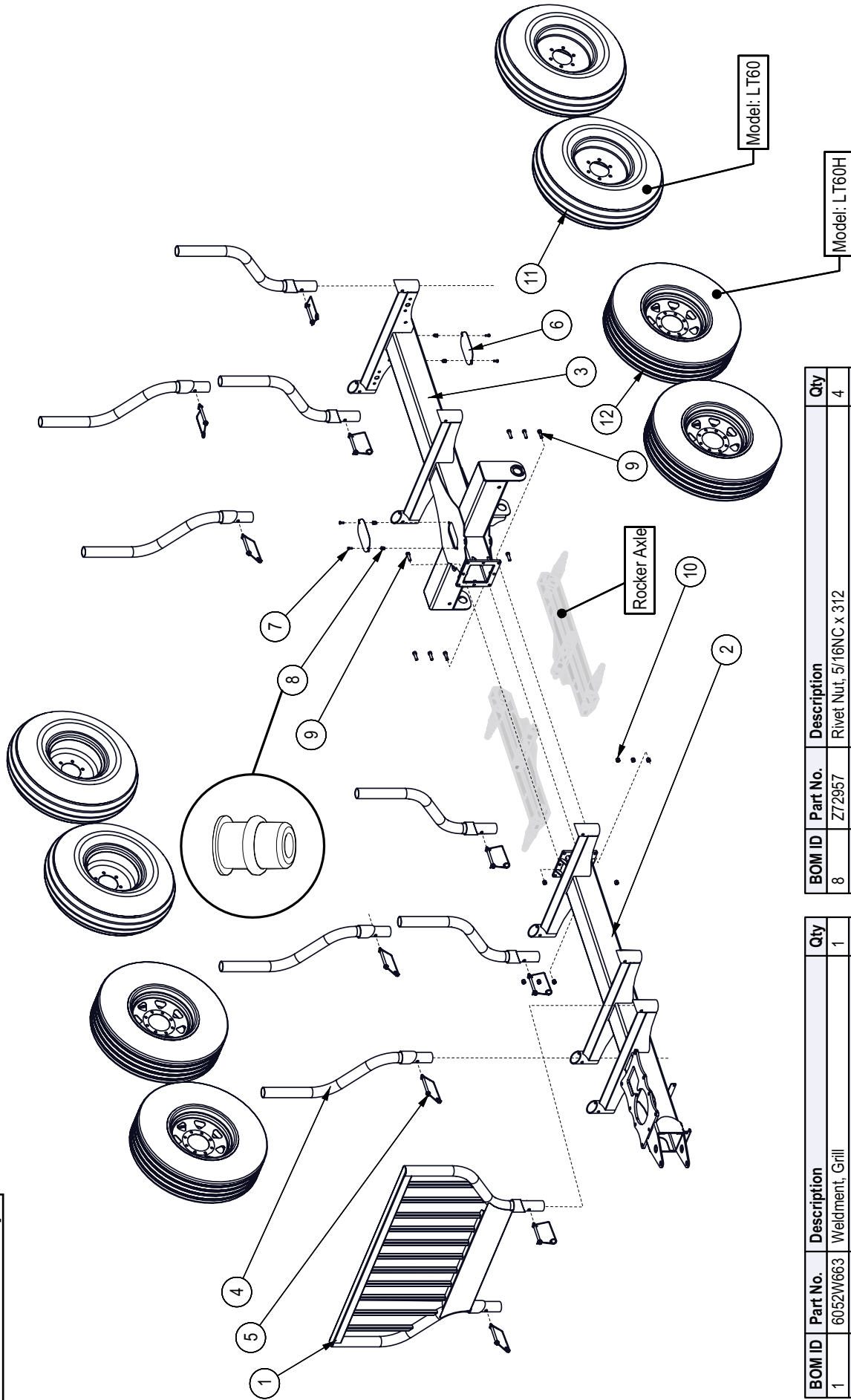


**LX115 / LT60 Variation Chart**

The LX / LT series of Timber Talon Grapples and Log Trailers are available with different options and features. Use the chart below to identify your particular model when ordering parts.

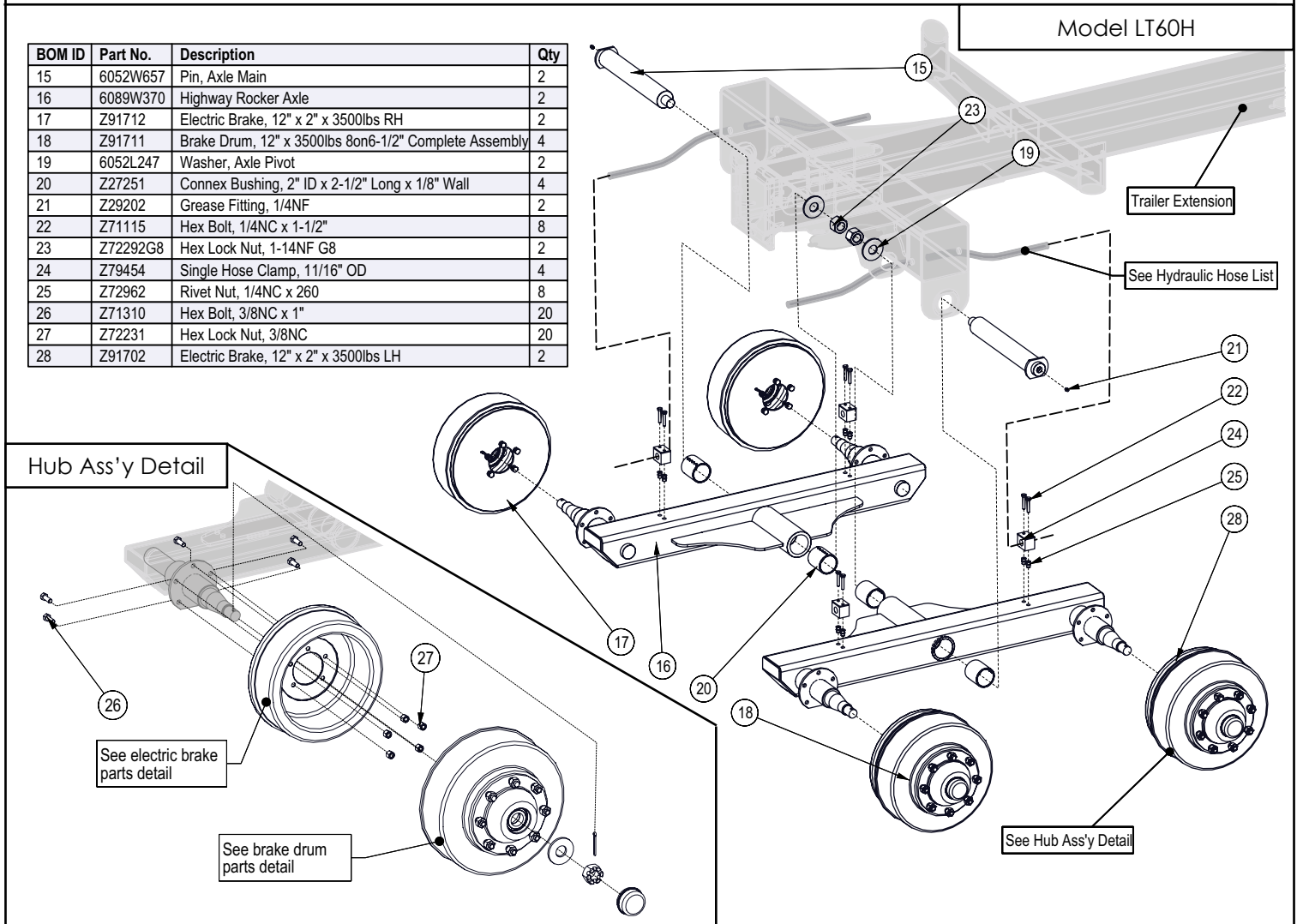
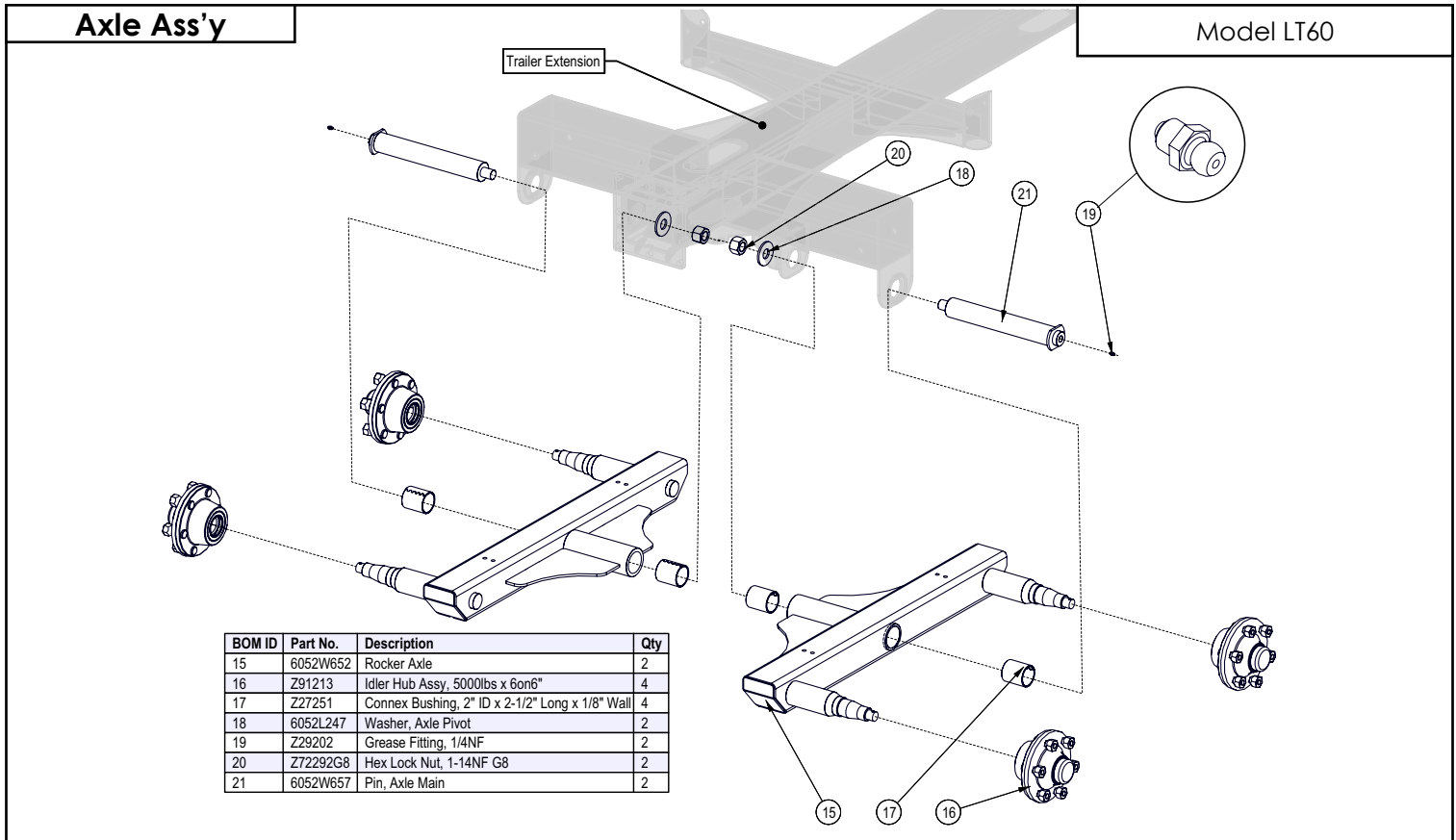
LX115 / LT60 Timber Talon Comparison Chart		Boom Mounting Combination		Three Point Hitch	Trailer / Bunk Posts	Dual Speed Winch	Highway Kit
		LX115	LT60				
	Grapple Boom	LX115	X				
	Grapple Boom Off Road Trailer	LX115	LT60		✓		
	Grapple Boom Trailer - Highway Kit	LX115	LT60H		✓		✓
	Grapple Boom 3 Point Hitch Kit	LX115	L400	✓			
Winch Models	Grapple Boom with Winch	LX115W	X			✓	
	Grapple Boom with Winch Off Road Trailer	LX115W	LT60		✓	✓	
	Grapple Boom with Winch Trailer - Highway Kit	LX115W	LT60H		✓	✓	✓
	Grapple Boom with Winch 3 Point Hitch Kit	LX115W	L400	✓		✓	

**Main Frame Ass'y**



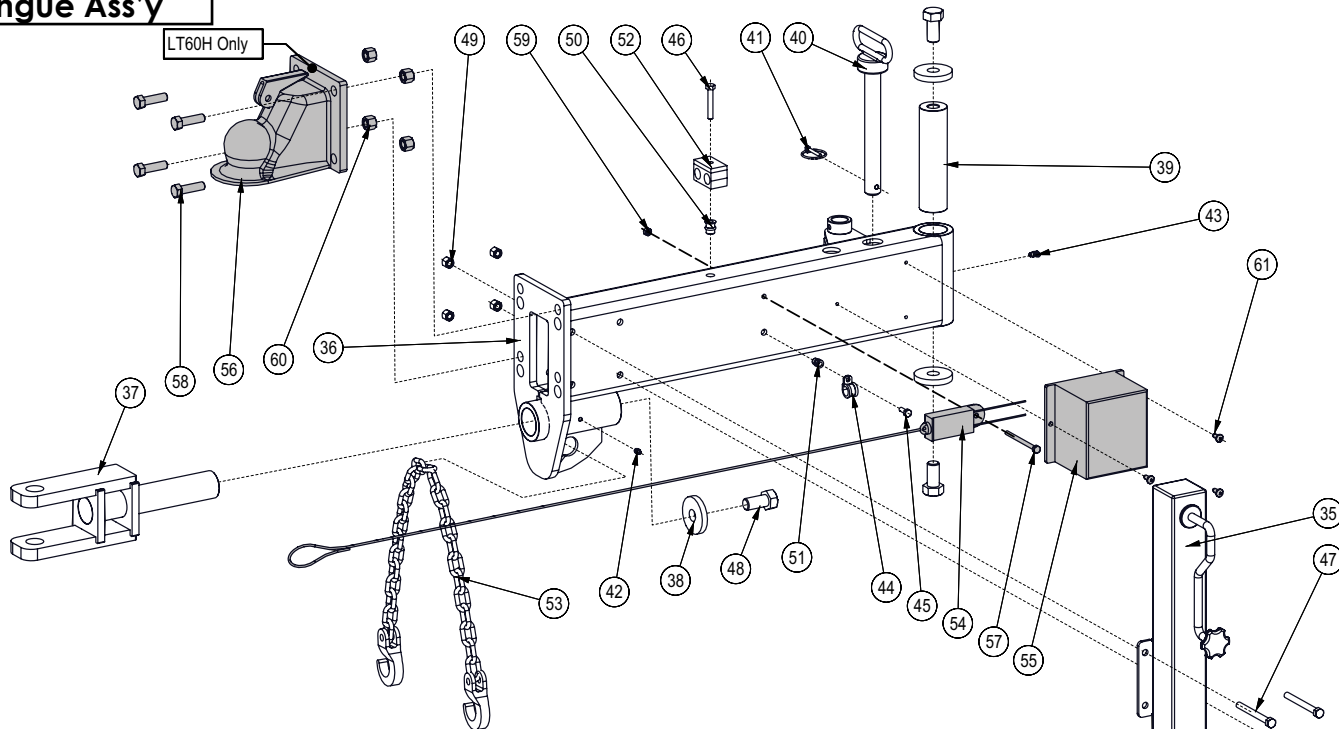
BOM ID	Part No.	Description	Qty
8	Z72957	Rivet Nut, 5/16NC x 312	4
9	Z71517	Hex Bolt, 1/2NC x 1-3/4"	8
10	Z72251	Hex Lock Nut, 1/2NC	8
11	Z91308	11L-15SL L-1 (TL) 12PR Farm Specialist 6on6" - LT60	4
12	Z91327	ST235/60R16 LRE Radial Trail 8on6-1/2" - LT60H	4

BOM ID	Part No.	Description	Qty
1	6052W663	Weldment, Grill	1
2	6052W665	Main Frame	1
3	6052W666	Trailer Extension	1
4	6052W664	Bunk Post	8
5	Z12441	Snap Lock Pin, 1/2" x 4-1/2"	10
6	6052L477	Plate, Access Cover	2
7	Z71207	Hex Bolt, 5/16NC x 3/4"	4





**Tongue Ass'y**

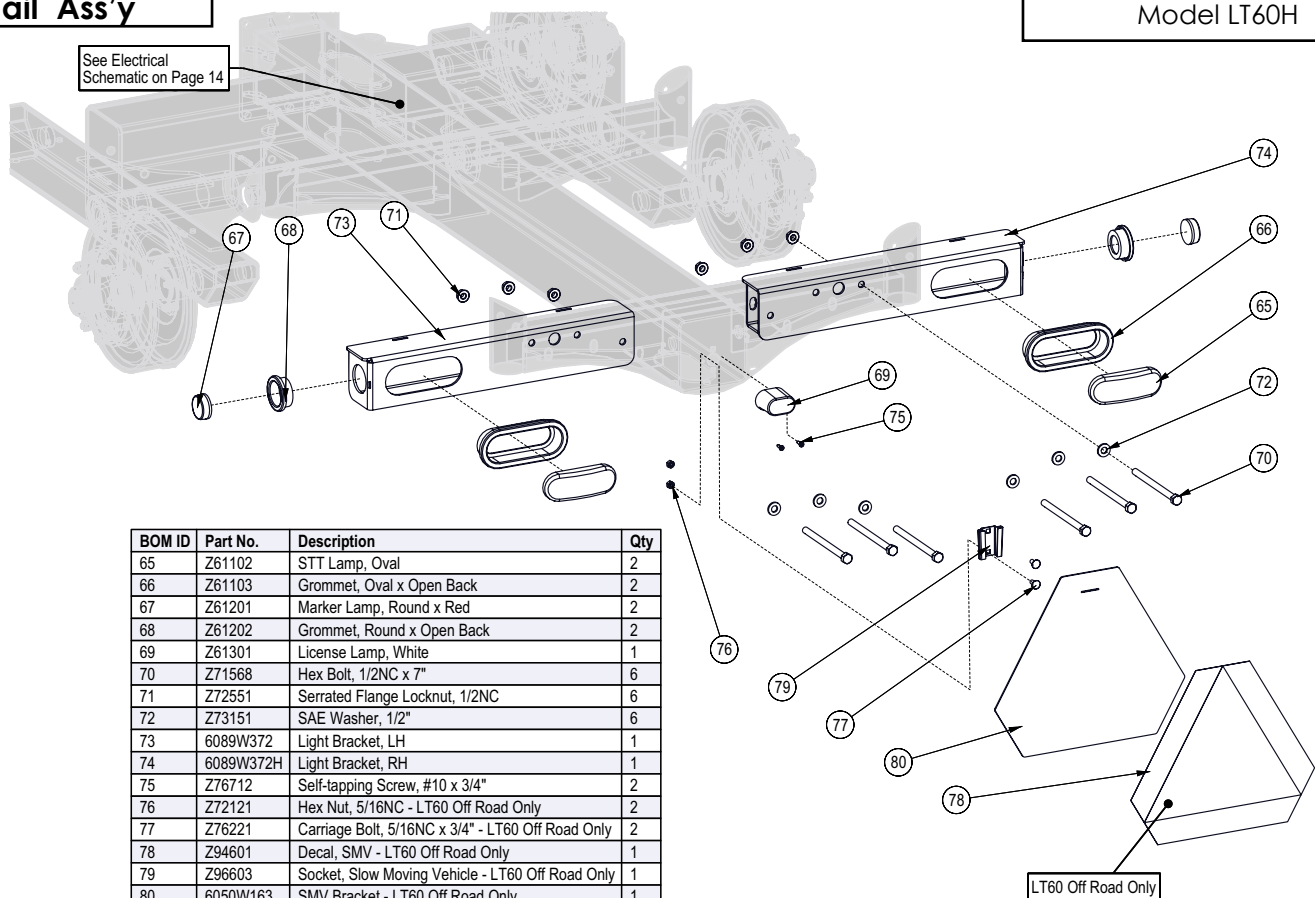


BOM ID	Part No.	Description	Qty
35	2071W116	Drop Leg Jack Assembly	1
36	6052W667	Tongue	1
37	6052W668	Hitch	1
38	6052L227	Washer, Hitch Capture	3
39	6052M215	Pin, Tongue Pivot	1
40	Z11263	Hitch Pin, 1" x 7-1/2"	1
41	Z12110	Lynch Pin, 3/16"	1
42	Z29202	Grease Fitting, 1/4NF	1
43	Z29203	Elbow 90 Grease Fitting, 1/4NF	1
44	Z62819	Rubberized Wire Clamp, 1/2"	1
45	Z71107	Hex Bolt, 1/4NC x 3/4"	1
46	Z71220	Hex Bolt, 5/16NC x 2"	1
47	Z71337	Hex Bolt, 3/8NC x 3-3/4"	4
48	Z71782	Hex Bolt, 3/4NF x 1-1/2"	3

BOM ID	Part No.	Description	Qty
49	Z72231	Hex Lock Nut, 3/8NC	4
50	Z72957	Rivet Nut, 5/16NC x 312	1
51	Z72962	Rivet Nut, 1/4NC x 260	1
52	Z79463	Double Hose Clamp, 11/16" OD	1
53	Z92309	Safety Chain, 1/4" x 5ft Heavy Duty with Two Grab Hooks	1
54	Z91726-1	Breakaway Safety Switch for Z91726 - LT60H Only	1
55	Z91726-2	Battery Pack for Z917266 - LT60H Only	1
56	Z91618	Hitch Coupler, 2-5/16" Ball x 12000lbs - LT60H Only	1
57	Z71135	Hex Bolt, 1/4NC x 3-1/2" - LT60H Only	1
58	Z71517	Hex Bolt, 1/2NC x 1-3/4" - LT60H Only	4
59	Z72111	Hex Nut, 1/4NC - LT60H Only	1
60	Z72251	Hex Lock Nut, 1/2NC - LT60H Only	4
61	Z76721	Self-tapping Screw, 1/4" x 3/4" - LT60H Only	3

**Tail Ass'y**

Model LT60H

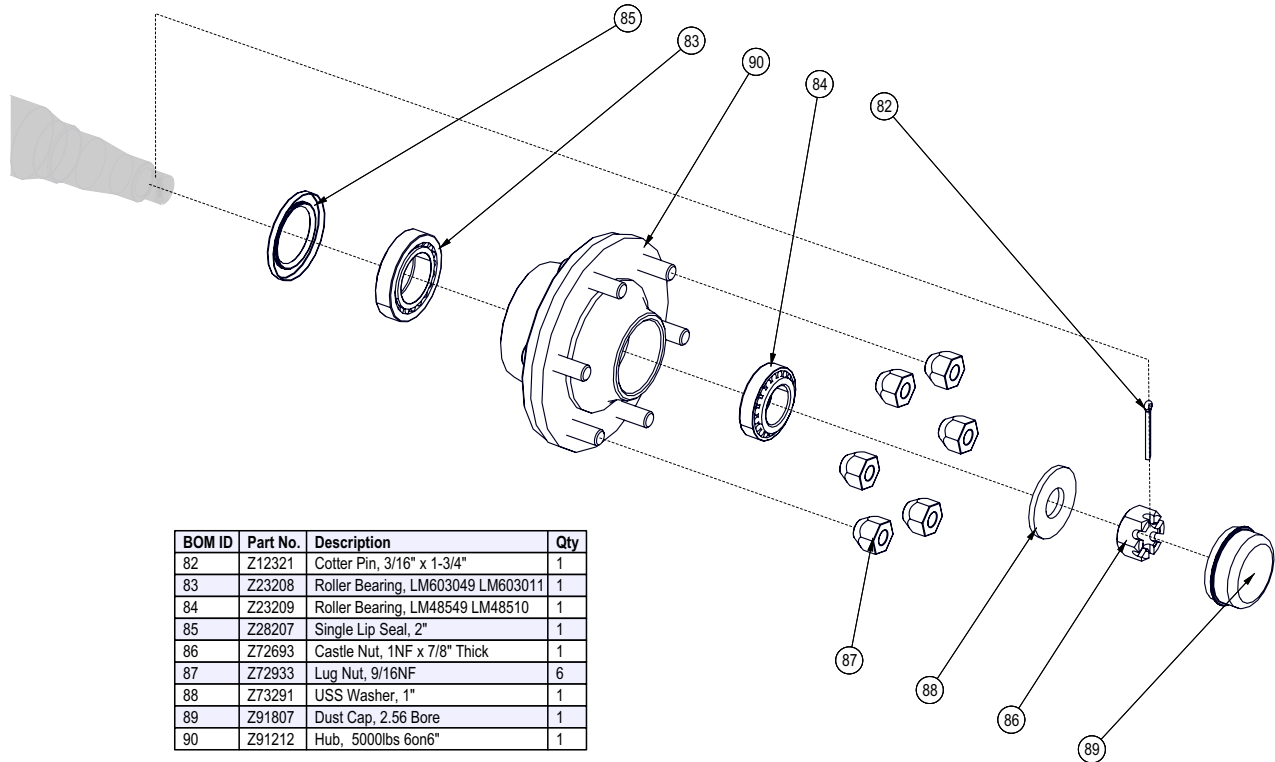


See Electrical Schematic on Page 14

BOM ID	Part No.	Description	Qty
65	Z61102	STT Lamp, Oval	2
66	Z61103	Grommet, Oval x Open Back	2
67	Z61201	Marker Lamp, Round x Red	2
68	Z61202	Grommet, Round x Open Back	2
69	Z61301	License Lamp, White	1
70	Z71568	Hex Bolt, 1/2NC x 7"	6
71	Z72551	Serrated Flange Locknut, 1/2NC	6
72	Z73151	SAE Washer, 1/2"	6
73	6089W372	Light Bracket, LH	1
74	6089W372H	Light Bracket, RH	1
75	Z76712	Self-tapping Screw, #10 x 3/4"	2
76	Z72121	Hex Nut, 5/16NC - LT60 Off Road Only	2
77	Z76221	Carriage Bolt, 5/16NC x 3/4" - LT60 Off Road Only	2
78	Z94601	Decal, SMV - LT60 Off Road Only	1
79	Z96603	Socket, Slow Moving Vehicle - LT60 Off Road Only	1
80	6050W163	SMV Bracket - LT60 Off Road Only	1

**Hub Ass'y**

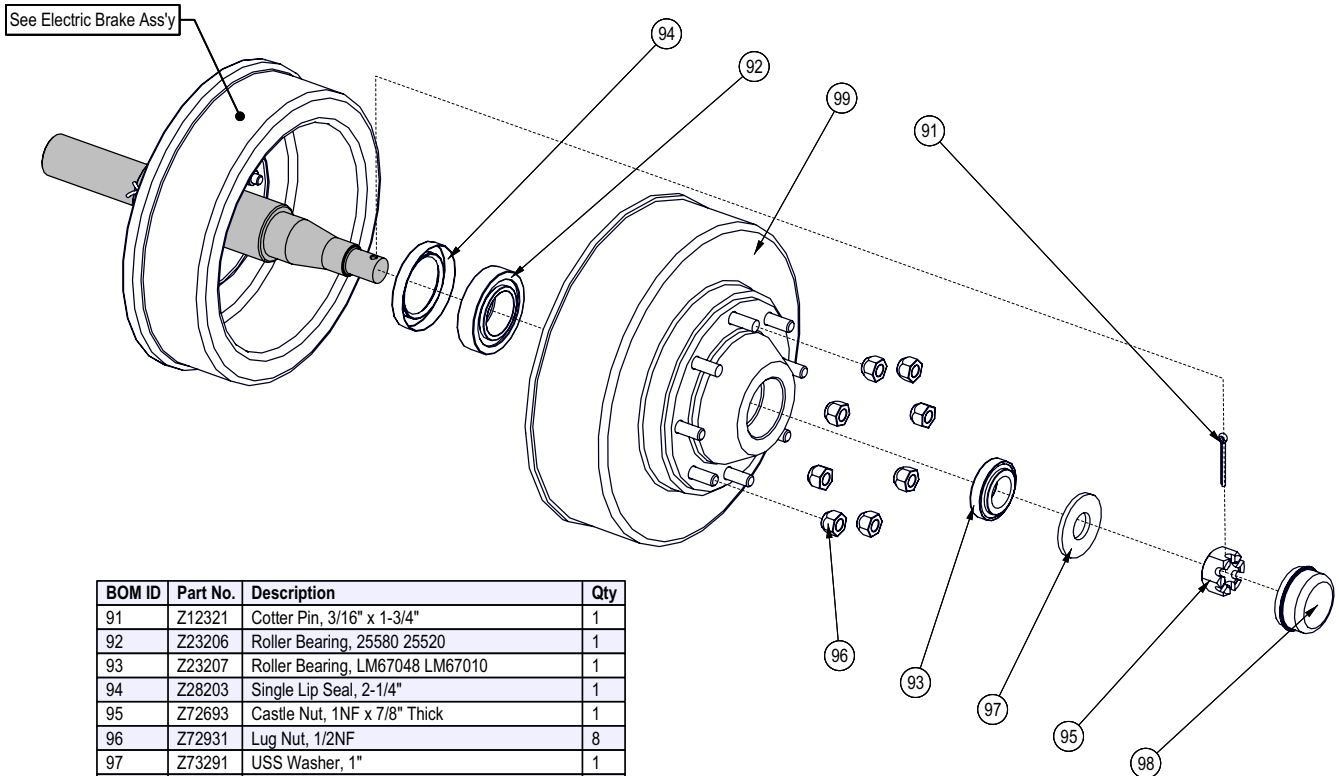
Model LT60



BOM ID	Part No.	Description	Qty
82	Z12321	Cotter Pin, 3/16" x 1-3/4"	1
83	Z23208	Roller Bearing, LM603049 LM603011	1
84	Z23209	Roller Bearing, LM48549 LM48510	1
85	Z28207	Single Lip Seal, 2"	1
86	Z72693	Castle Nut, 1NF x 7/8" Thick	1
87	Z72933	Lug Nut, 9/16NF	6
88	Z73291	USS Washer, 1"	1
89	Z91807	Dust Cap, 2.56 Bore	1
90	Z91212	Hub, 5000lbs 6on6"	1

**Brake Drum Ass'y**

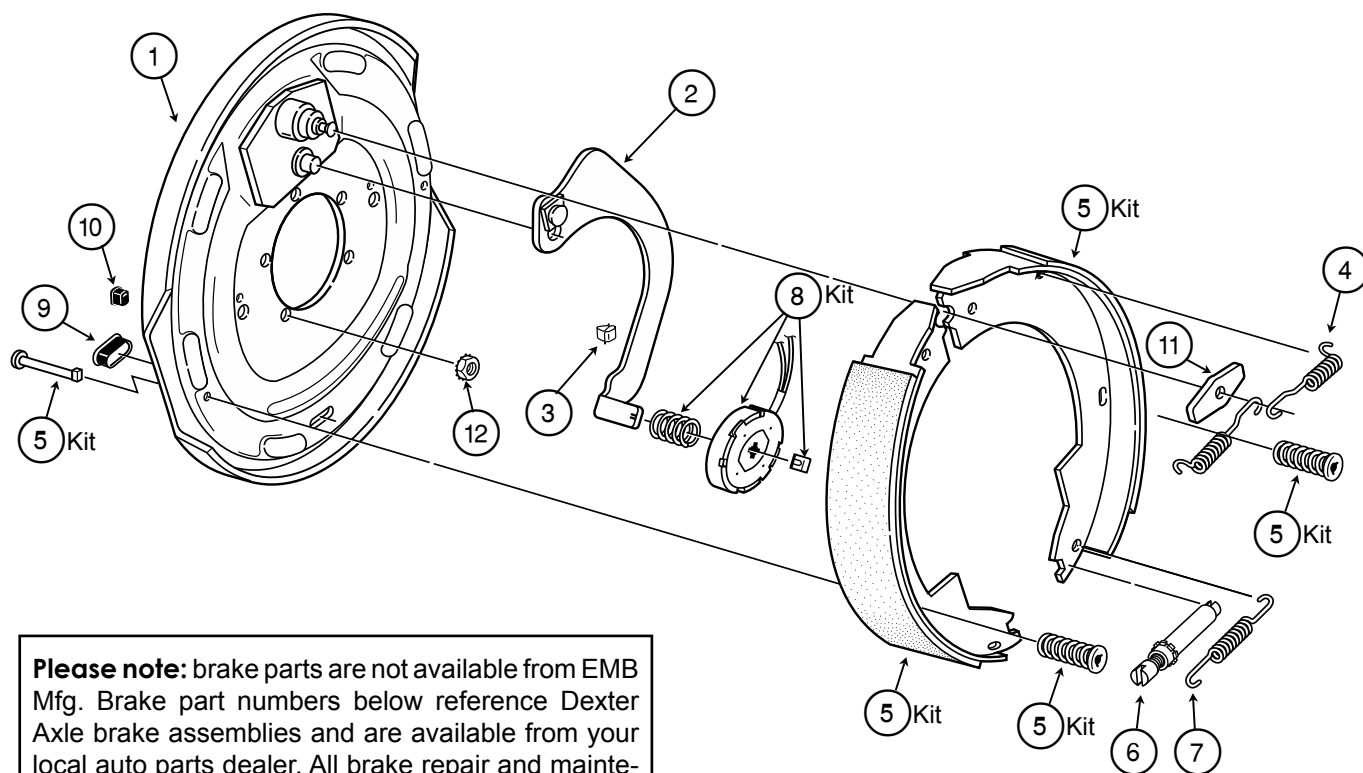
Model LT60H



BOM ID	Part No.	Description	Qty
91	Z12321	Cotter Pin, 3/16" x 1-3/4"	1
92	Z23206	Roller Bearing, 25580 25520	1
93	Z23207	Roller Bearing, LM67048 LM67010	1
94	Z28203	Single Lip Seal, 2-1/4"	1
95	Z72693	Castle Nut, 1NF x 7/8" Thick	1
96	Z72931	Lug Nut, 1/2NF	8
97	Z73291	USS Washer, 1"	1
98	Z91806	Dust Cap, 2.33 Bore	1
99	Z91710	Brake Drum, 12" x 3500lbs 8on6-1/2" Drum Only	1

**Electric Brake Ass'y**

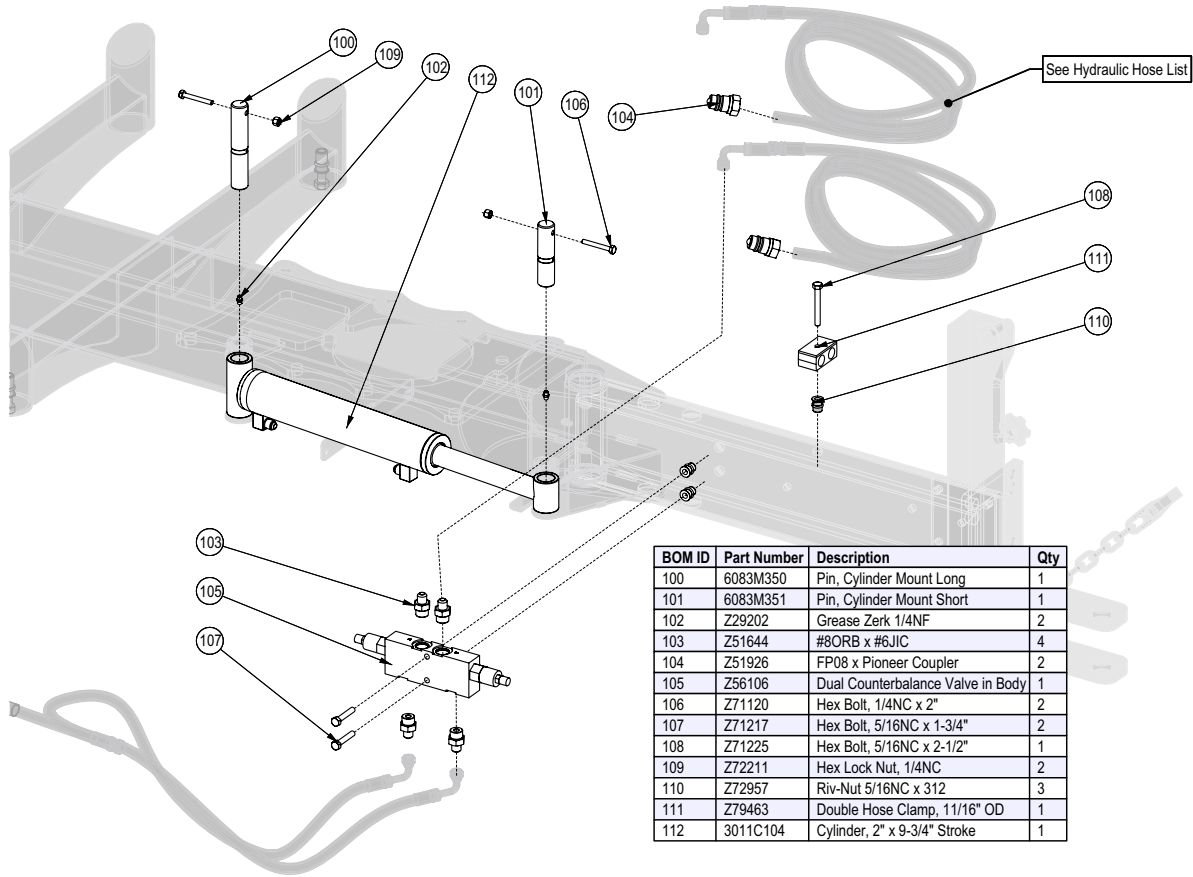
Model LT60H



**Please note:** brake parts are not available from EMB Mfg. Brake part numbers below reference Dexter Axle brake assemblies and are available from your local auto parts dealer. All brake repair and maintenance should be done by a qualified mechanic.

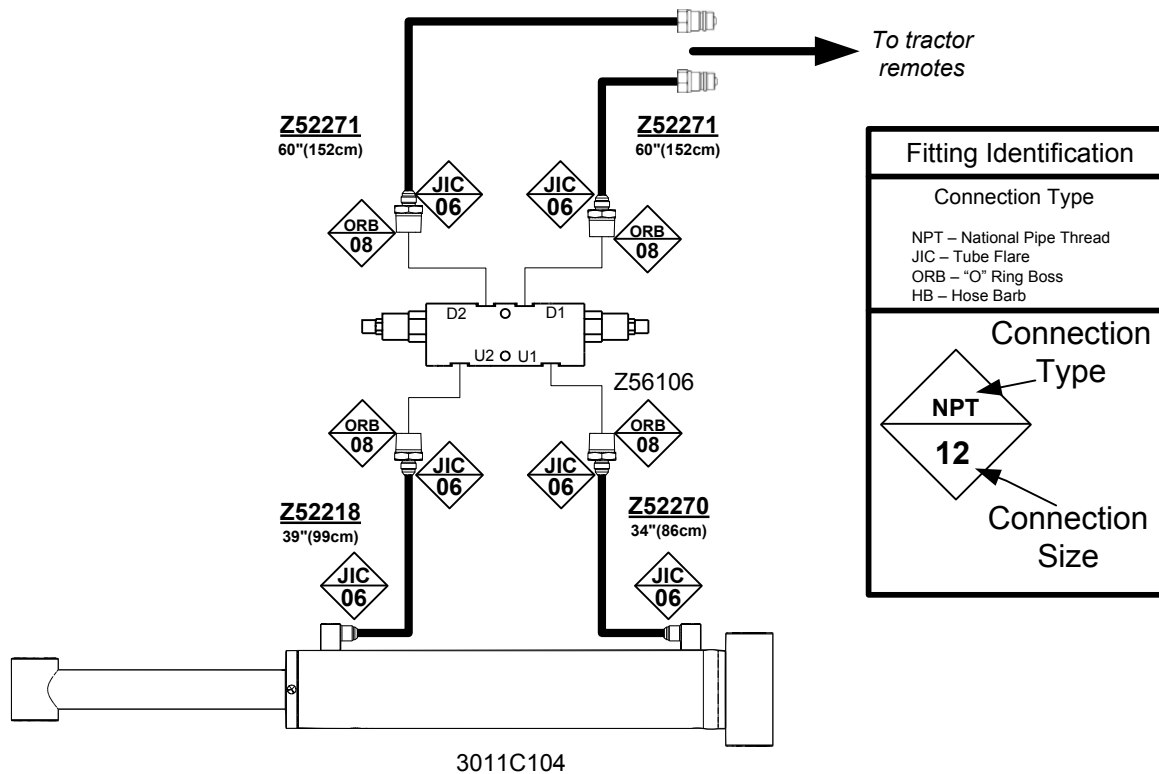
Item	Part No.	Description	Qty	Item	Part No.	Description	Qty
	Z91702	LH Complete Brake Assembly	1	10	K71-105-00	<b>Magnet Kit Contains:</b>	1
	Z91712	RH Complete Brake Assembly (shown)	1			Magnet (white wire)	1
1	036-089-10	Backing Plate Assembly	1			Magnet Clip	1
2	047-107-05	LH Actuating Lever Arm Assembly	1			Magnet Spring	1
2	047-108-05	RH Actuating Lever Arm Assembly	1	11	K71-048-00	<b>Shoe &amp; Lining Kit Contains:</b>	1
3	027-005-00	Wire Clip	2			Primary Shoe & Lining	1
4	046-009-00	Retractor Spring	2			Secondary Shoe & Lining	1
5	043-004-00	Adjuster Assembly	1			Shoe Hold Down Pin #2	2
6	046-018-00	Adjusting Screw Spring	1			Shoe Hold Down Spring & Cup	2
7	046-007-00	Adjuster Slot Plug	2				
8	046-016-00	Wire Grommet	1				
9	005-067-00	Anchor Post Washer	1				

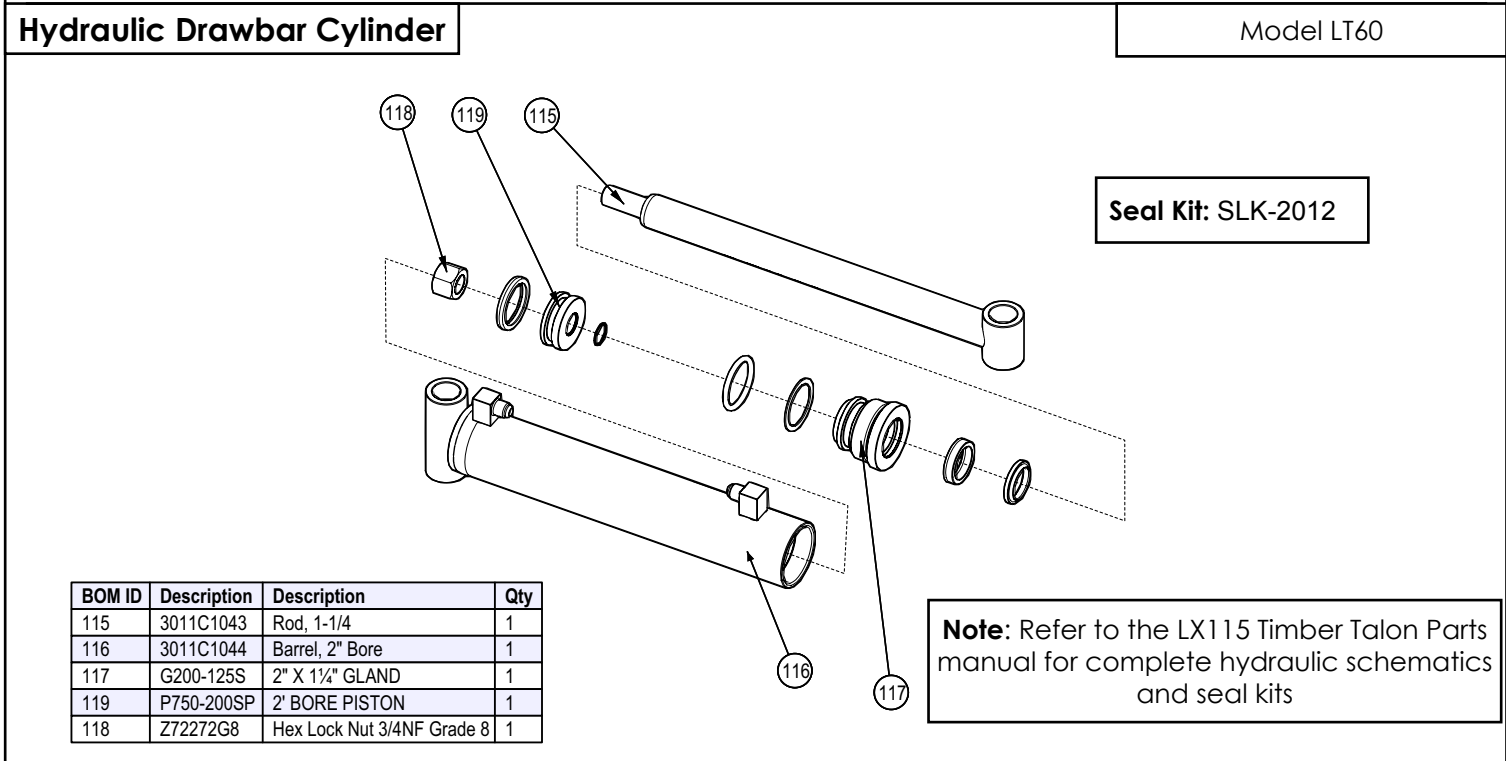
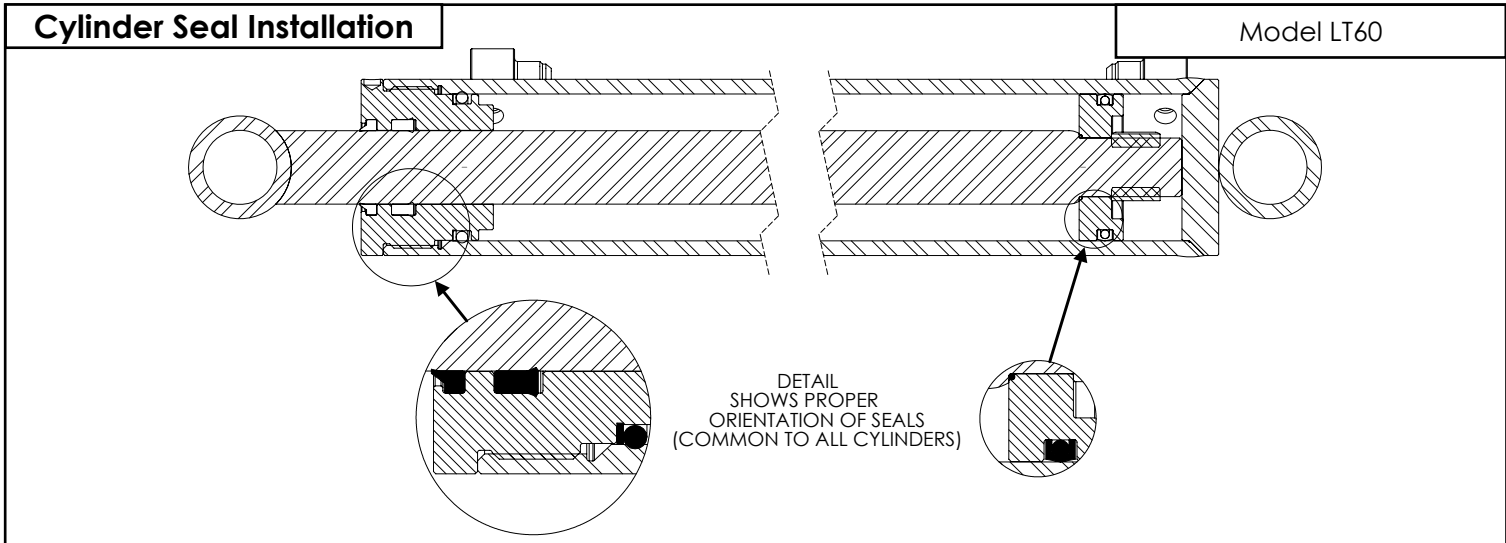
**Hydraulic Drawbar Option**



BOM ID	Part Number	Description	Qty
100	6083M350	Pin, Cylinder Mount Long	1
101	6083M351	Pin, Cylinder Mount Short	1
102	Z29202	Grease Zerk 1/4NF	2
103	Z51644	#8ORB x #6JIC	4
104	Z51926	FP08 x Pioneer Coupler	2
105	Z56106	Dual Counterbalance Valve in Body	1
106	Z71120	Hex Bolt, 1/4NC x 2"	2
107	Z71217	Hex Bolt, 5/16NC x 1-3/4"	2
108	Z71225	Hex Bolt, 5/16NC x 2-1/2"	1
109	Z72211	Hex Lock Nut, 1/4NC	2
110	Z72957	Riv-Nut 5/16NC x 312	3
111	Z79463	Double Hose Clamp, 11/16" OD	1
112	3011C104	Cylinder, 2" x 9-3/4" Stroke	1

**Hydraulic Drawbar Schematic**

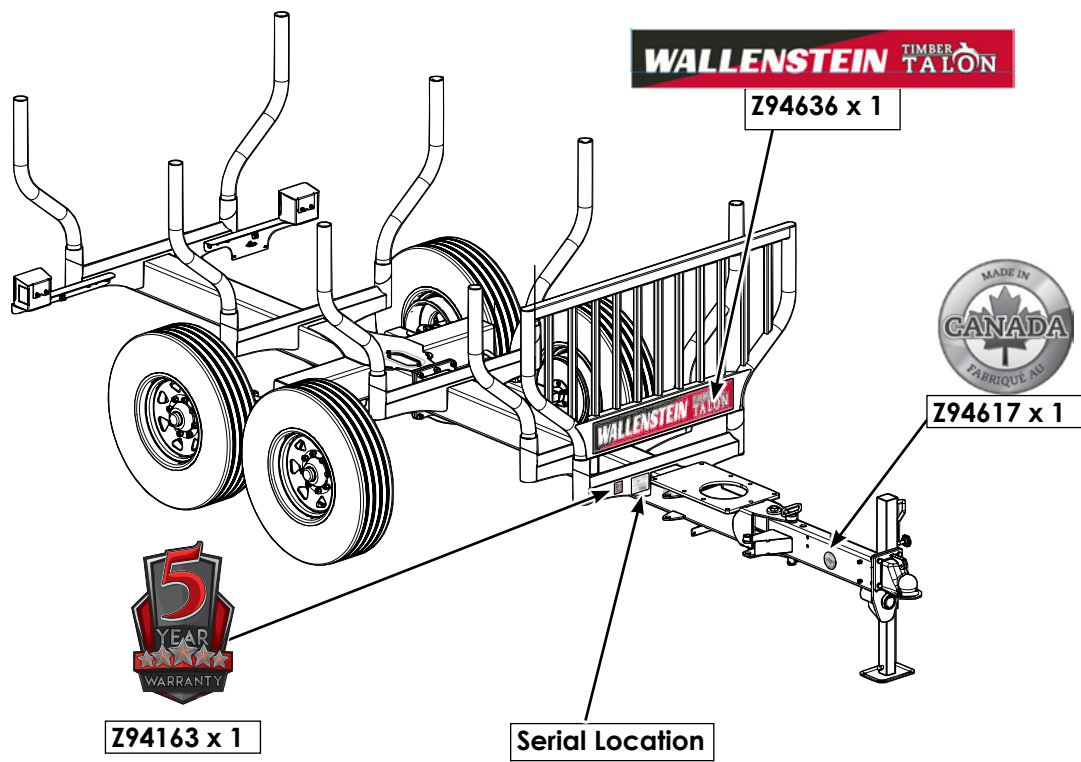




**Hydraulic Hose List**

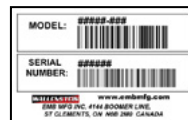
Part Number	Description	Qty	Where Used
6089S350	3/8" Hydraulic Hose, 16" LG.	4	LT60H
Z52218	3/8" Hose, FJIC06 x 90FJIC06 x 39"	1	LT60 Hyd Drawbar
Z52270	3/8" Hose, FJIC06 x 90FJIC06 x 34"	1	LT60 Hyd Drawbar
Z52271	3/8" Hose, 90FJIC06 x MP08x 60"	2	LT60 Hyd Drawbar
Z52260	3/8" Hose, FJIC06 x MP08 x 48"	2	L601 Power Pack
Z52347	1/2" Hose, MP08 x MP08 x 30"	1	L601 Power Pack

**Labels**



**Timber Talon Log Highway Trailer:  
LT60-H**

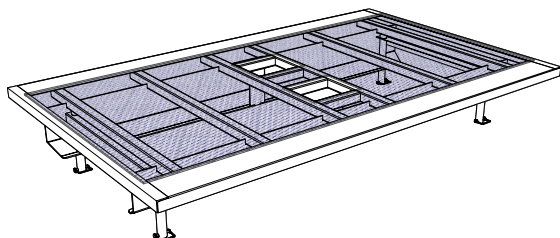
or



**Timber Talon Log Offroad Trailer:  
LT60**

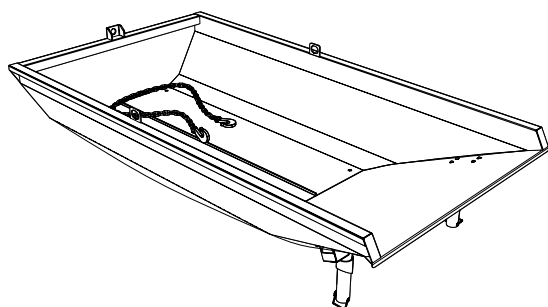
## Accessories

Call your dealer for pricing and availability



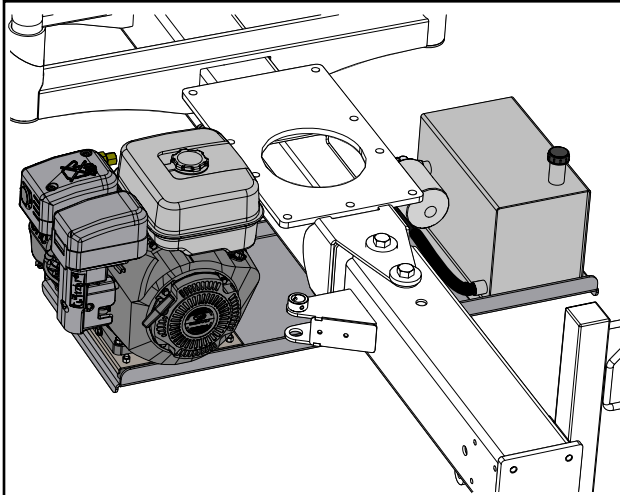
### #L630 LT60 EXPANDED METAL FLAT BED

Transporting material and equipment made easy. Simply drop on this flat bed and you're set to go! **LT60 trailer L630** has a 321 cm x 179 cm (10.6' x 5.8') cargo bed.



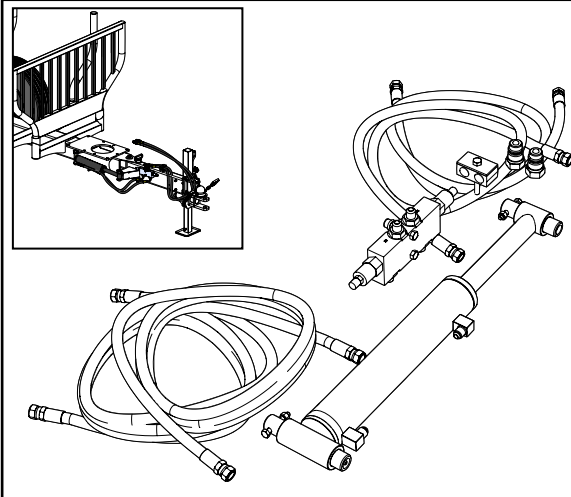
### #L620 LT60 DUMP BOX

Load, transport and easily dump your loads, made for use with the back hoe kit. **The L620** holds 1.13 cubic meters (40 cu.ft). Each dump box comes complete with a 1.8 meter (6 foot) chain used for dumping.



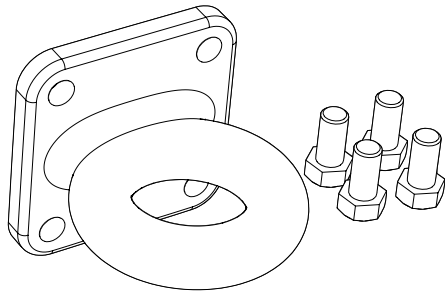
### #L601 LX115 POWER PACK

Independently power your LX grapple: the **L601 for LX115** features a 9HP Subaru engine. Power packs include hydraulic pump and 17.5 litre (4.6 us gal) reservoir tank.



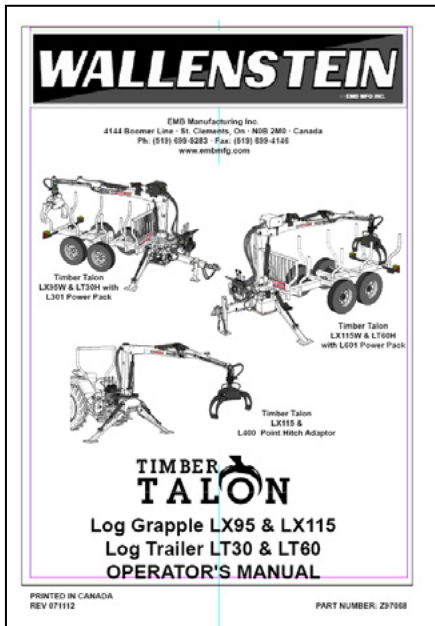
**#L650 HYDRAULIC ARTICULATED DRAWBAR**  
(tractorremotes required)

Tight bush trail corner navigation made easy with this handy hydraulic articulating drawbar. Available for off road use only. It is controlled by your tractors remotes.



**#L640 PINTLE HITCH**

Pintle hitch accessory to match up to your existing pintle hook.



**#Z97068**  
**GENERATOR**  
**OPERATOR'S MANUAL**

Available as a download at  
[www.wallensteinequipment.com](http://www.wallensteinequipment.com)