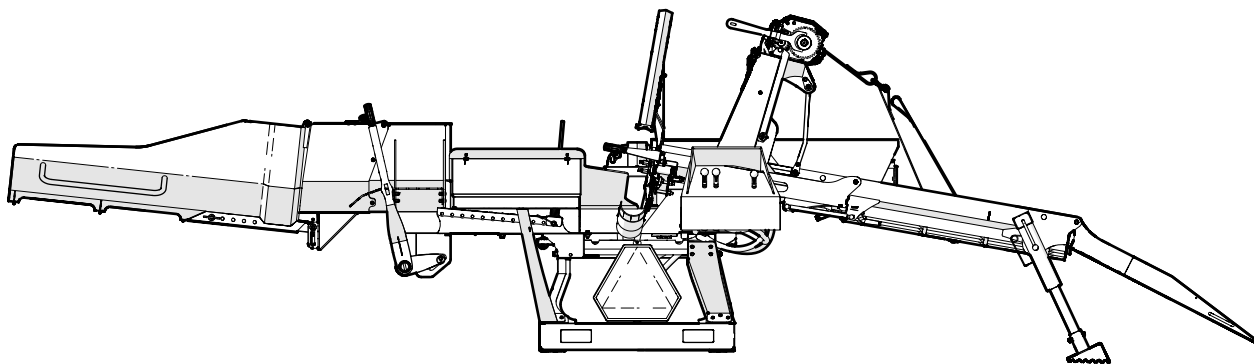


PARTS MANUAL

Serial Number 275001 & up

WP275 Firewood Processor



Foreword

This Wallenstein parts manual is prepared to assist customers in ordering quality OEM replacement parts.

Regular maintenance combined with replacing old, worn or broken parts with the correct OEM parts is essential in prolonging the life of your Wallenstein product. Refer to this manual to identify replacement parts.

To order parts, contact your Wallenstein dealer or distributor. Have the product model and serial number handy.

If your dealer is no longer available, please go to our website: <http://wallensteinequipment.com> and click on the [Dealer Locator](#) to find the nearest dealer.

All information contained in this parts manual is current as per the revision date at the bottom of the page. Wallenstein reserves the right to change product specifications at any time without notice.

If your product specifications differ from those contained in this manual, contact Wallenstein for current information.

Reproduction of information in this parts manual is prohibited without prior written permission from Wallenstein Equipment Inc.

Wallenstein Equipment Inc. • © 2021

! WARNING!

Refer to the operators manual for safe operation and maintenance.

Maintenance should be performed by trained personnel only.

Serial Number Location

Always provide the model and serial number of your Wallenstein product when ordering parts or requesting service or other information. This information is found on the product information plate as shown below.

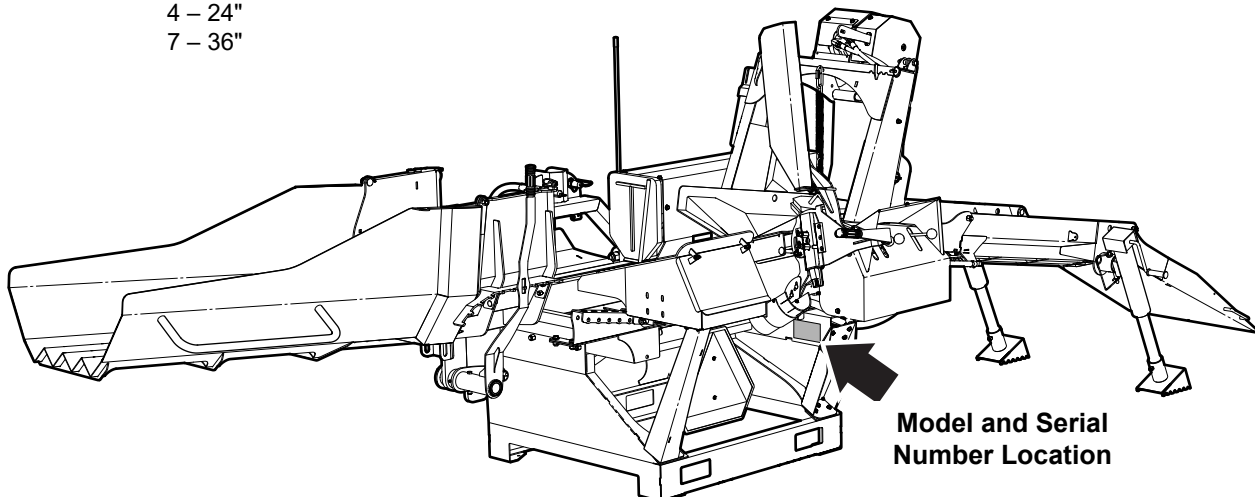
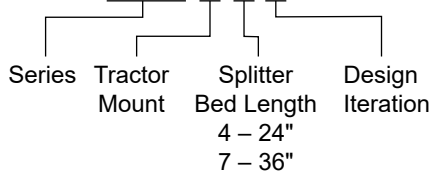
Record your product information here for future reference.

Model _____

Serial Number _____

Model Configuration

WP245



www.wallensteinequipment.com

Contents

Splitter Chute Assembly.....4

Lead In Chute Assembly5

Log Hold Down Assembly.....6

Splitter Main Frame Assembly.....7

Log Chute Assembly8

Chain Saw Adapter9

Three Point Hitch Frame Assembly.....10

Hydraulic Splitter Assembly11

Hydraulic Winch.....12

Winch Drum.....13

Cylinder.....14

Valve Assembly15

Closed Center Plug.....16

Hydraulic Circuit17

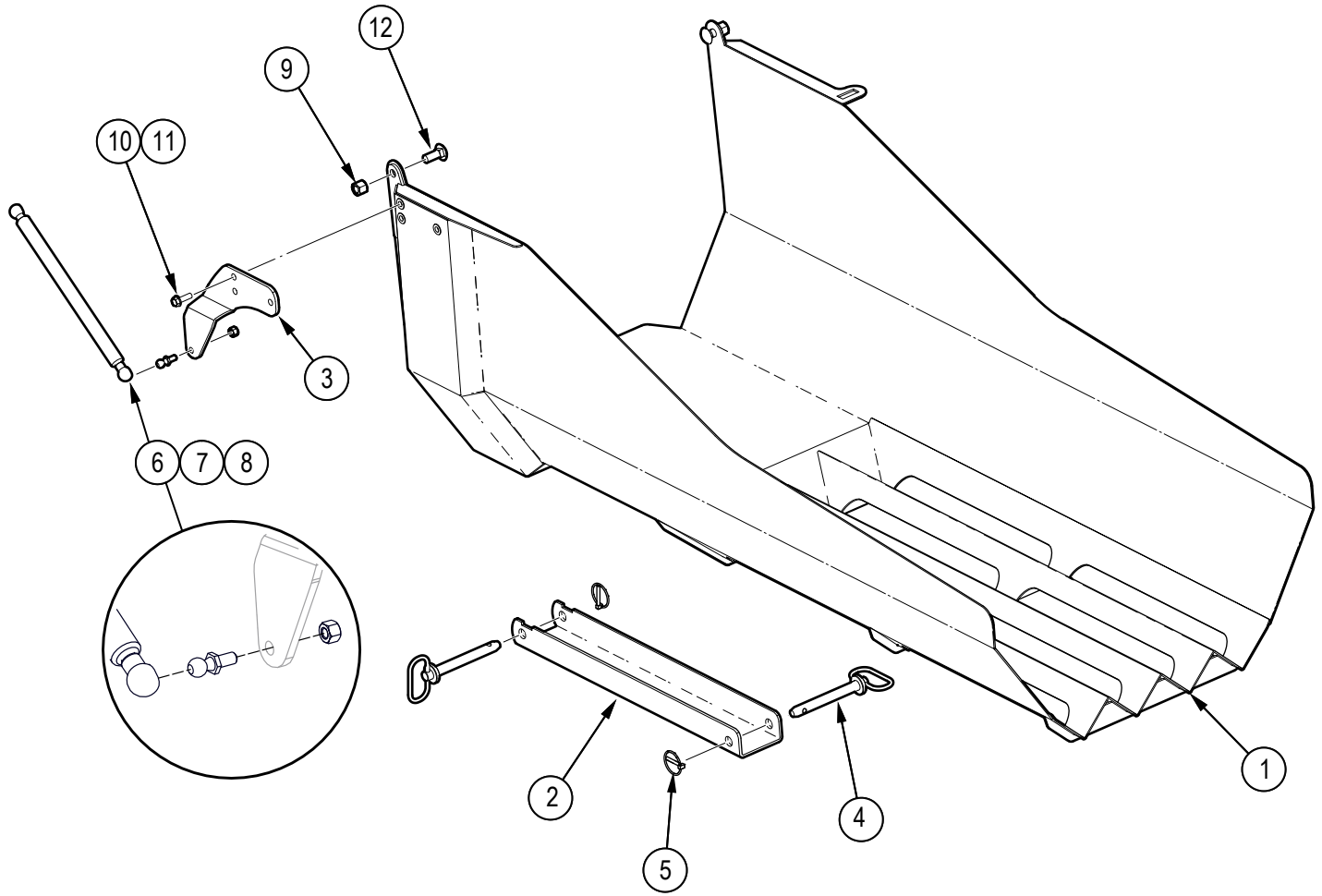
Decal Layout.....18

Accessories.....21

Common Bolt Torque Values22

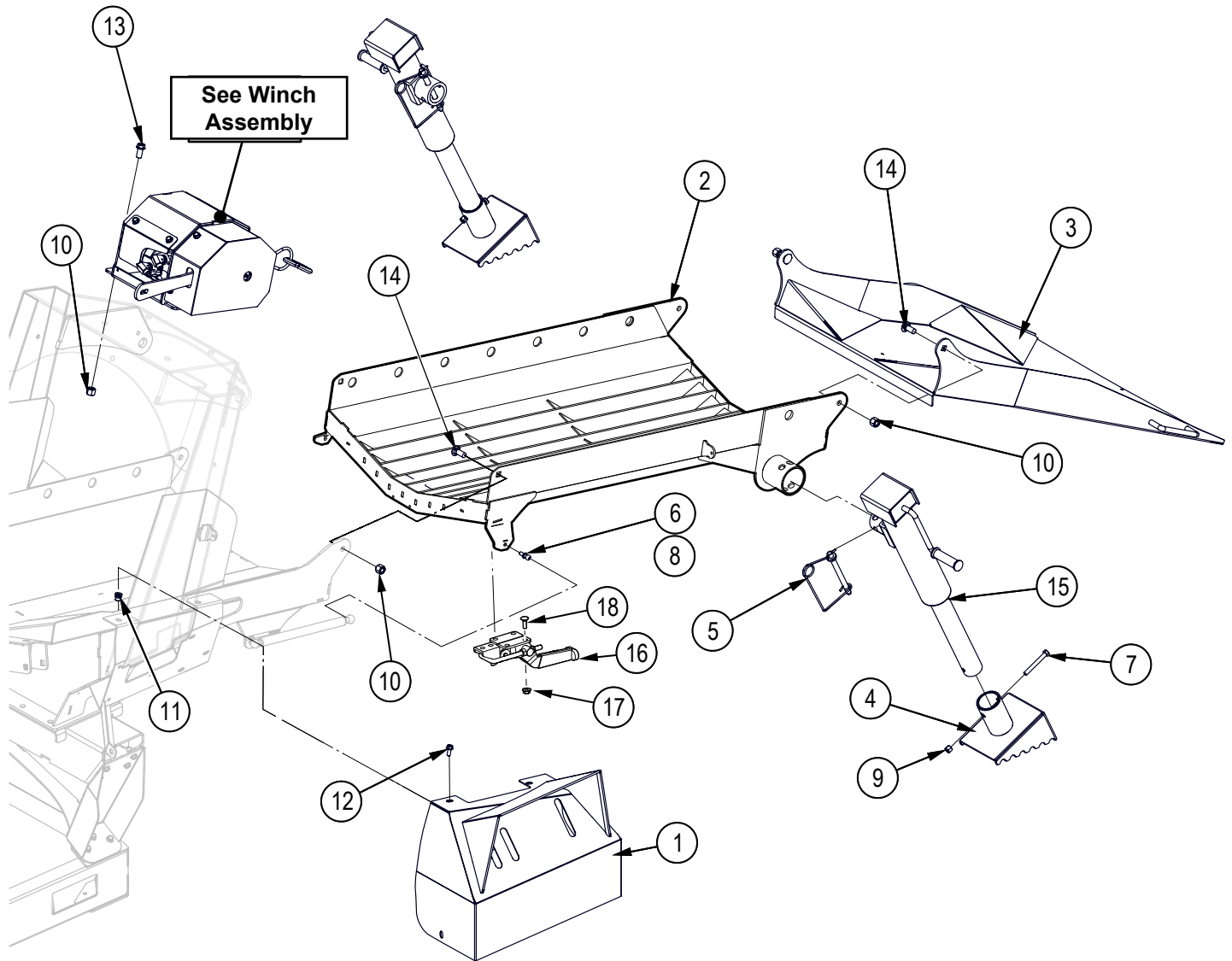
Hydraulic Fitting Torque Values23

Splitter Chute Assembly



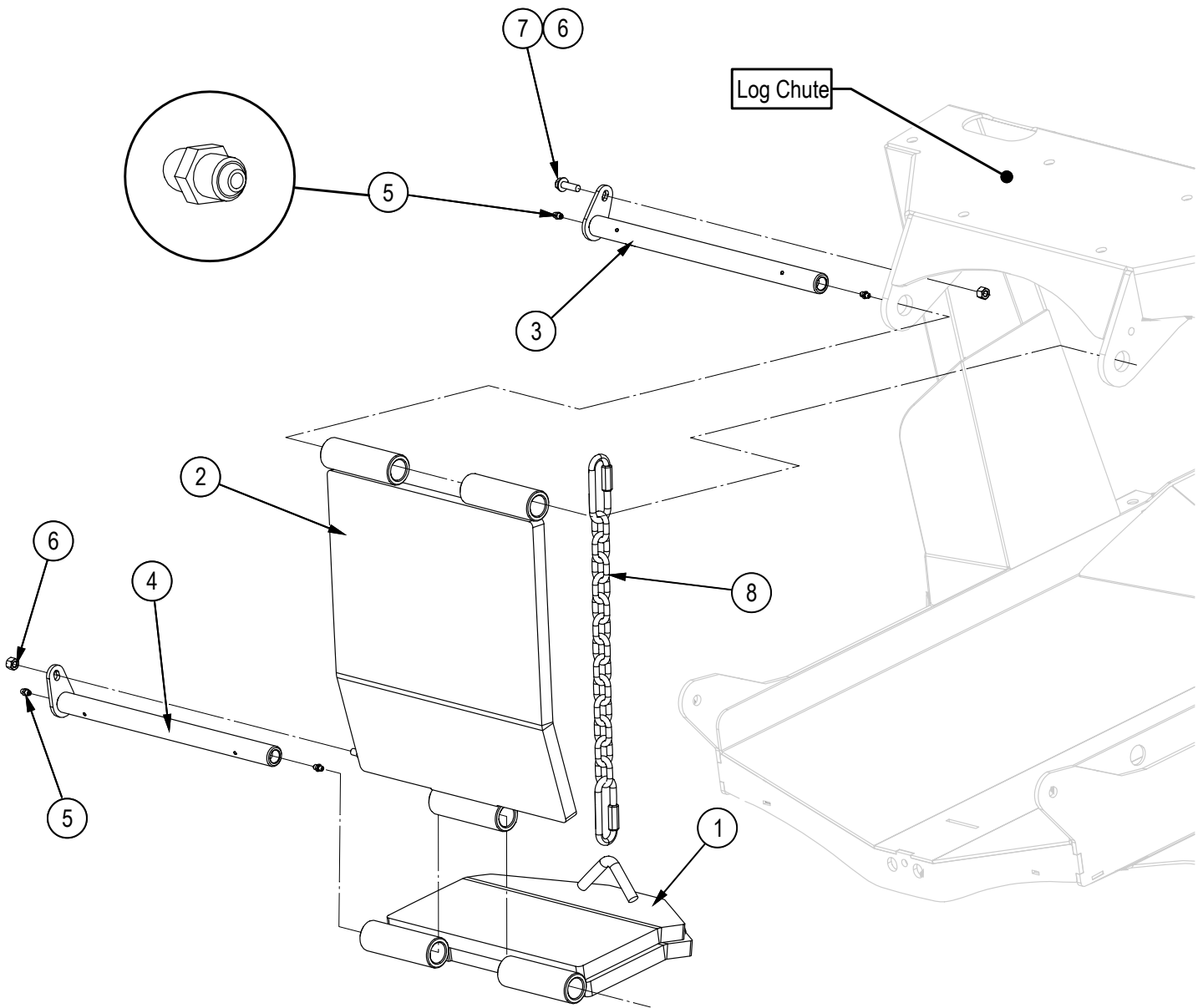
Item No.	Part No.	Description	Qty
1	2251W044	Splitter Chute	1
2	2071W114	Chute Adjuster	1
3	2071L188	Plate, Spring Mount	1
4	Z11232	Hitch Pin, 5/8" x 4-1/4"	2
5	Z12110	Lynch Pin, 3/16"	2
6	Z34216	Gas Spring, 10mm OD x 540mm x 215mm x 158 lbs	2
7	Z34204	Ball Stud, 13mm x 5/16NC	1
8	Z72221	Hex Lock Nut, 5/16NC	1
9	Z72251	Hex Lock Nut, 1/2NC	2
10	Z72956	Rivet Nut, 5/16NC x 150	3
11	Z76125	Flange Bolt, 5/16NC x 1"	3
12	Z76259	Carriage Bolt, 1/2NC x 1-1/4"	2

Lead In Chute Assembly



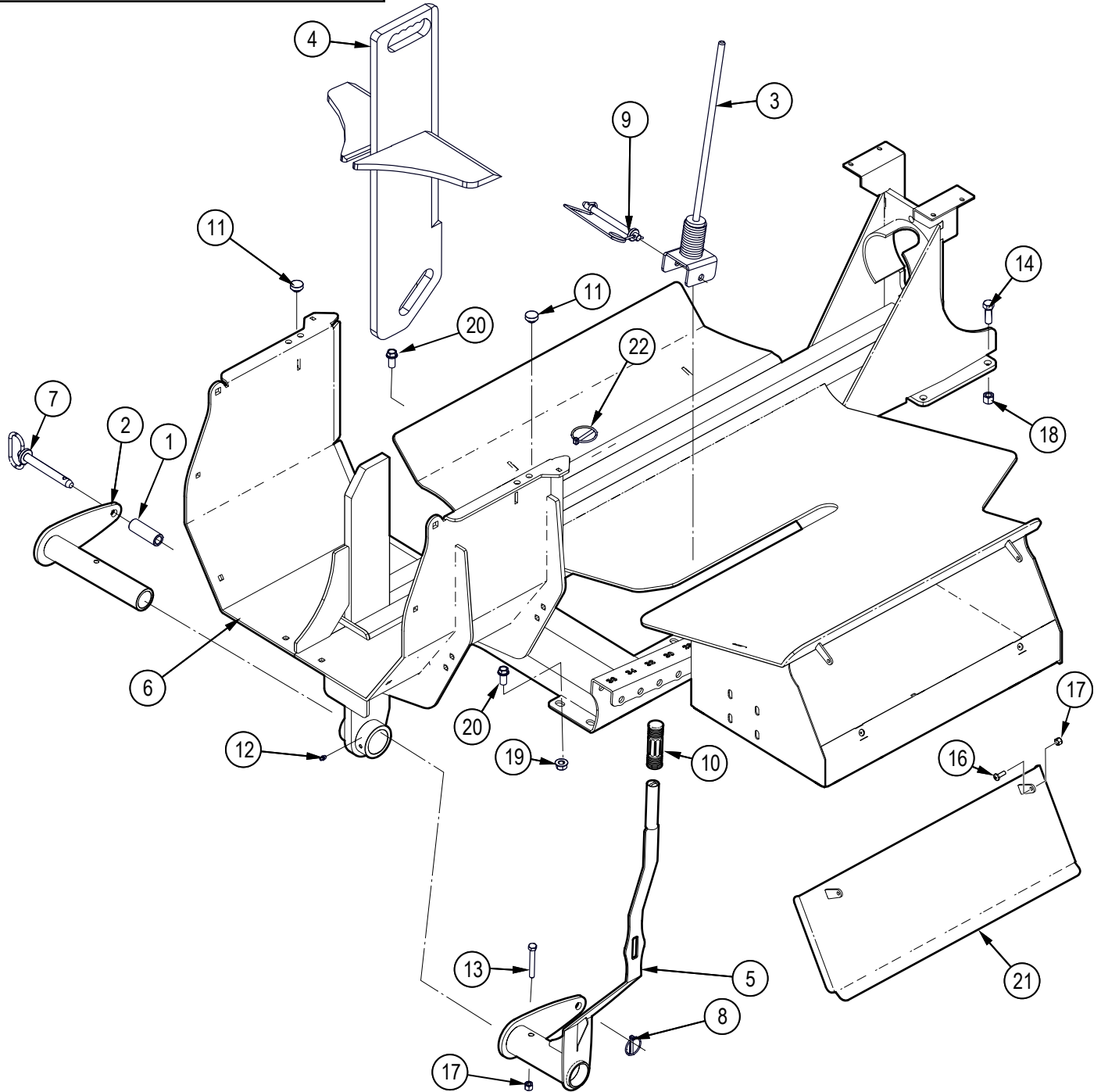
Item No.	Part No.	Description	Qty
1	2210W043	Valve Cover	1
2	2251W046	Chute, Bottom	1
3	2251W055	Chute, Lead In	1
4	2251W020	Foot, Jack	2
5	Z12441	Snap Lock Pin, 1/2" x 4-1/2"	2
6	Z34204	Ball Stud, 13mm x 5/16NC	2
7	Z71330	Hex Bolt, 3/8NC x 3"	2
8	Z72221	Hex Lock Nut, 5/16NC	2
9	Z72231	Hex Lock Nut, 3/8NC	2
10	Z72251	Hex Lock Nut, 1/2NC	8
11	Z72956	Rivet Nut, 5/16NC x 150	3
12	Z76121	Flange Bolt, 5/16NC x 3/4"	3
13	Z76153	Flange Bolt, 1/2NC x 1"	4
14	Z76259	Carriage Bolt, 1/2NC x 1-1/4"	4
15	Z91515	Trailer Jack, Side Wind x 2000lbs No Foot	2
16	Z19511	Handle Clamp, Latch Type x 2-Piece	2
17	Z72511	Serrated Flange Locknut, 1/4NC	12
18	Z76211	Carriage Bolt, 1/4NC x 3/4"	12

Log Hold Down Assembly



Item No.	Part No.	Description	Qty
1	2071W102	Hold Down Bottom	1
2	2071W110	Log Hold Down Long	1
3	2071W112	Pin, Log Hold Down	1
4	2071W136	Pin, Log Hold Down	1
5	Z29202	Grease Fitting, 1/4NF	4
6	Z72221	Hex Lock Nut, 5/16NC	2
7	Z76125	Flange Bolt, 5/16NC x 1"	1
8	Z92311	Chain, 1/4" x 21" with Two Quicklinks	1

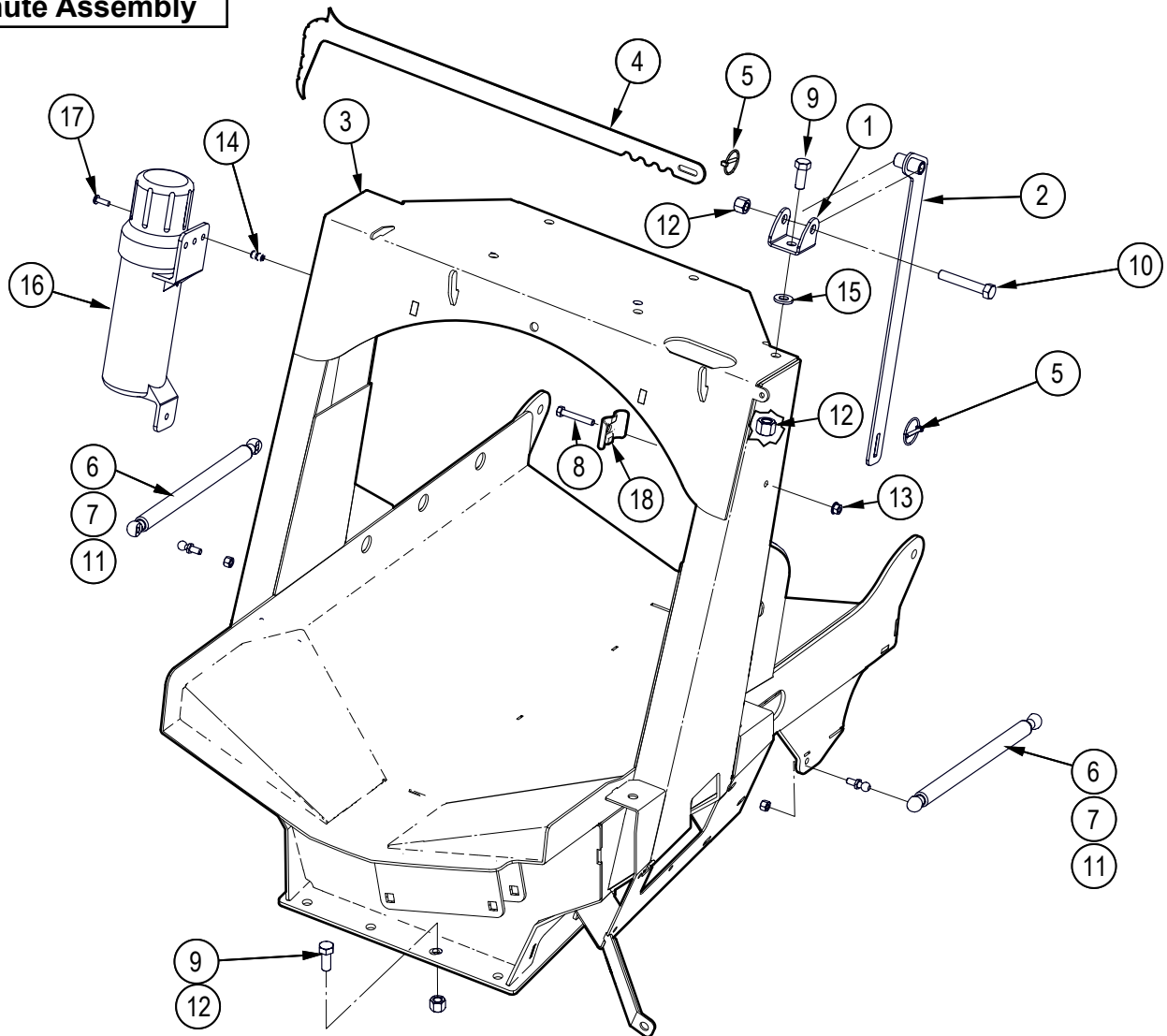
Splitter Main Frame Assembly



Item	Part No.	Description	Qty
1	2071M123	Roller Wedge Lift	1
2	2051W049	Arm Wedge Lifter	1
3	2071W190	Log Stop Whip	1
4	2071W532	Wedge 4 Way	1
5	2051W048	Wedge Position Handle	1
6	2210W531	Main Frame	1
7	Z11232	Hitch Pin, 5/8" x 4-1/4"	1
8	Z12110	Lynch Pin, 3/16"	1
9	Z12441	Snap Lock Pin, 1/2" x 4-1/2"	1
10	Z19321	Handle Grip, 1"	1
11	Z19909	Rubber Bumper, 7/16" x 1"	4

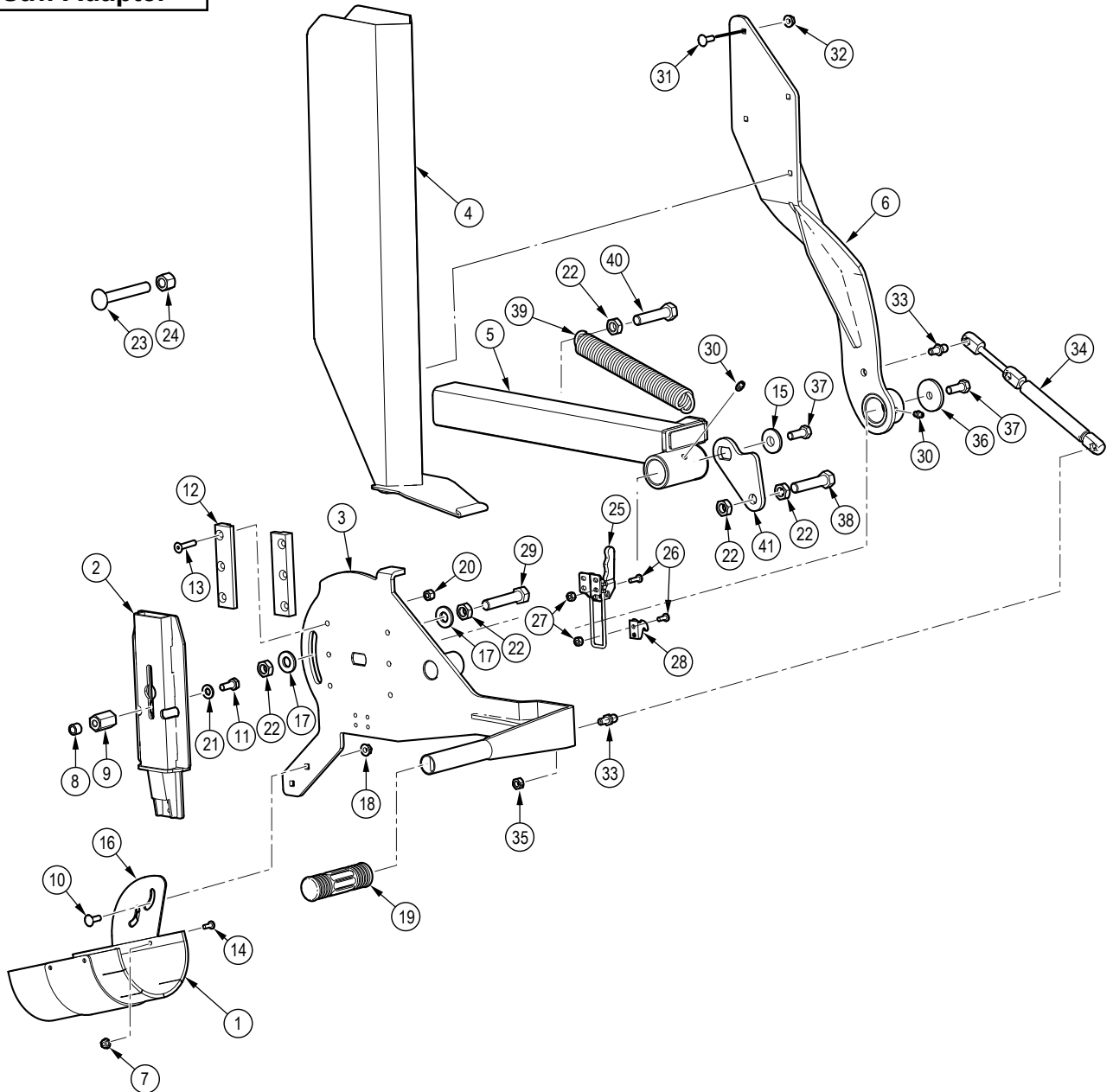
Item	Part No.	Description	Qty
12	Z29202	Grease Fitting, 1/4NF	1
13	Z71330	Hex Bolt, 3/8NC x 3"	1
14	Z71515	Hex Bolt, 1/2NC x 1-1/2"	4
15	Z72211	Hex Lock Nut, 1/4NC	2
16	Z78301	Machine Screw 1/4"NC x 3/4"	2
17	Z72231	Hex Lock Nut, 3/8NC	1
18	Z72251	Hex Lock Nut, 1/2NC	4
19	Z72551	Serrated Flange Locknut, 1/2NC	4
20	Z76153	Flange Bolt, 1/2NC x 1"	6
21	2251W544	Toolbox Lid	1
22	Z12140	Lynch Pin 7/16"	1

Log Chute Assembly



Item No.	Part No.	Description	Qty
1	2071L123	Clevis, Latch Mount	1
2	2071W121	Arm, Log Chute Lock	1
3	2210W045	Chute, Log	1
4	2250L223	Hookaroon, 30"	1
5	Z12110	Lynch Pin, 3/16"	2
6	Z34216	Gas Spring, 10mm OD x 540mm x 215mm x 158 lbs	2
7	Z34204	Ball Stud, 13mm x 5/16NC	2
8	Z71220	Hex Bolt, 5/16NC x 2"	1
9	Z71512	Hex Bolt, 1/2NC x 1-1/4"	9
10	Z71530	Hex Bolt, 1/2NC x 3"	1
11	Z72221	Hex Lock Nut, 5/16NC	2
12	Z72251	Hex Lock Nut, 1/2NC	10
13	Z72521	Serrated Flange Locknut, 5/16NC	1
14	Z72962	Rivet Nut, 1/4NC x 260	3
15	Z73151	SAE Washer, 1/2"	1
16	Z96503	Manual Tube, 3-1/2" Short	1
17	Z78301	Machine Screw, 1/4NC x 3/4"	3
18	2250L286	Hose Clamp, 2 x 3/8"	1

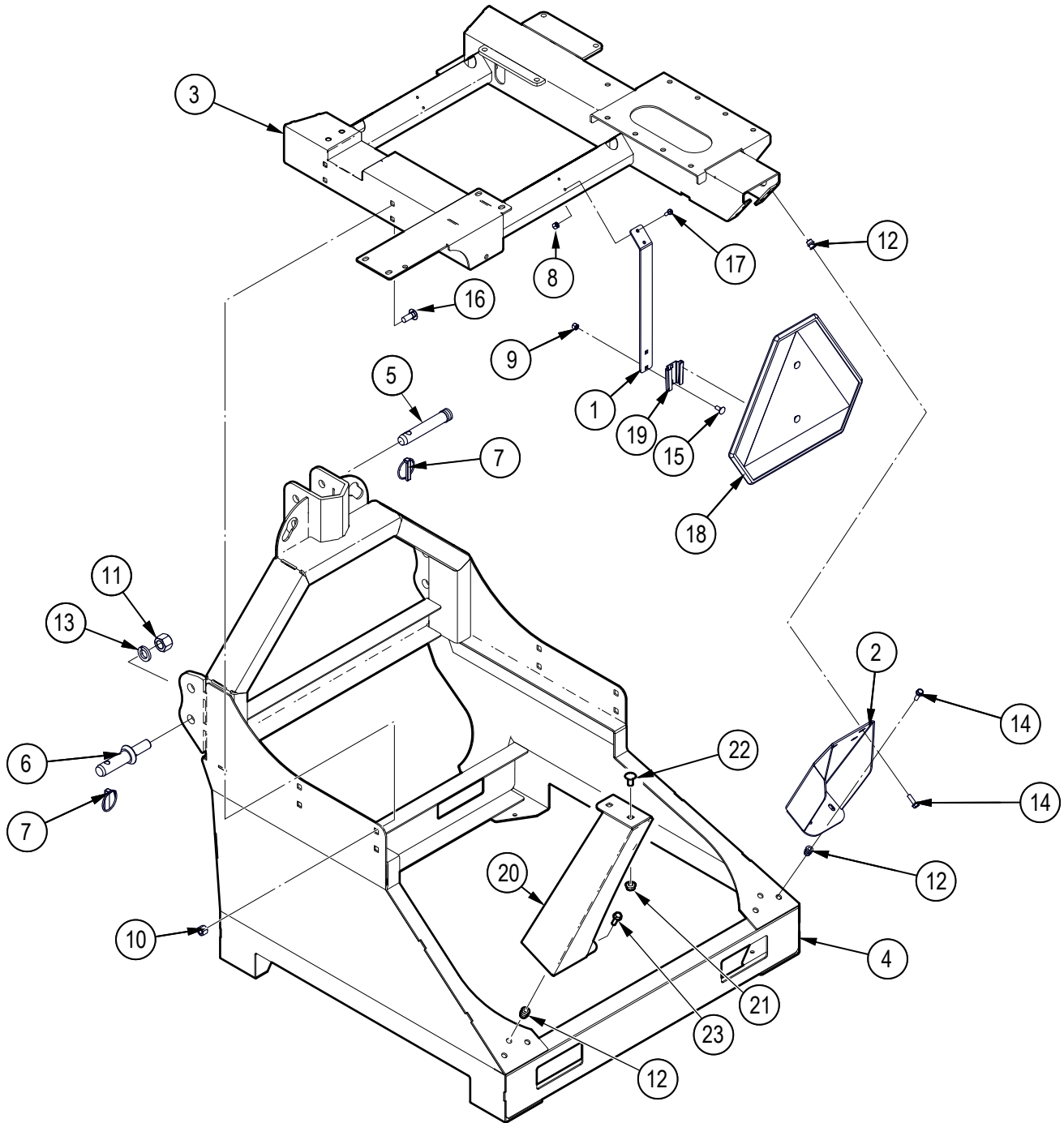
Chain Saw Adapter



Item No.	Part No.	Description	Qty
1	2089L561	Chain Saw Debris Guard	1
2	2251W045	Universal Chain Saw Adapter	1
3	2251W047	Chain Saw Pivot	1
4	2089W553	Chain Saw Guard	1
5	2089W586	Chain Saw Pivot Base	1
6	2089W569	Guard Spine	1
7	Z72503	Serrated Flange Locknut, #10NF	7
8	2089M571	Bushing, Stihl Cover	2
9	2089M570	Bar Mounting Stud	9
10	Z76211	Carriage Bolt, 1/4NC x 3/4"	2
11	Z77150	Hex Bolt, M8x1.25 x 20mm	2
12	2251M009	Guide Gusset Block	2
13	Z75214	FHCS, 1/4NC x 1-1/4"	6
14	Z78303	Machine Screw, #10NF x 1/2"	4
15	2089L5501	Washer	1
16	2089L561	Chain Saw Debris Guard	1
17	Z73151	SAE Washer, 1/2"	2
18	Z72511	Serrated Flange Locknut, 1/4NC	2
19	Z19321	Handle Grip, 1"	1
20	Z72211	Hex Lock Nut, 1/4NC	6
21	Z73151	SAE Washer, 1/2"	2

Item No.	Part No.	Description	Qty
22	Z72351	Jam Nut, 1/2NC	5
23	Z762510	Carriage Bolt, 1/2NC x 3-1/2"	2
24	Z72251	Hex Lock Nut, 1/2NC	2
25	Z19516	Adjustable Draw Latch, 5" (GH-40820) Latch only	1
26	Z78324	Machine Screw, #10NF x 5/8"	6
27	Z72204	Hex Lock Nut, #10NF	6
28	Z19517	Catch for Z19516	1
29	Z71525	Hex Bolt, 1/2NC x 2-1/2"	1
30	Z29202	Grease Fitting, 1/4NF	2
31	Z76211	Carriage Bolt, 1/4NC x 3/4"	4
32	Z72511	Serrated Flange Locknut, 1/4NC	4
33	Z34208	Ball Stud, 10mm x 5/16NC	2
34	Z34209	Gas Spring, 8mm x 9.65" x 3.15" x 56 lbs	1
35	Z72223	Hex CTR-lock Nut, 5/16NC	1
36	2089L555	Washer	1
37	Z71310	Hex Bolt, 3/8NC x 1"	1
38	Z71522	Hex Bolt, 1/2NC x 2-1/4"	1
39	Z31404	Extension Spring	1
40	Z71517	Hex Bolt, 1/2NC x 1-3/4"	1
41	2089L574	Pivot Stop Washer	1

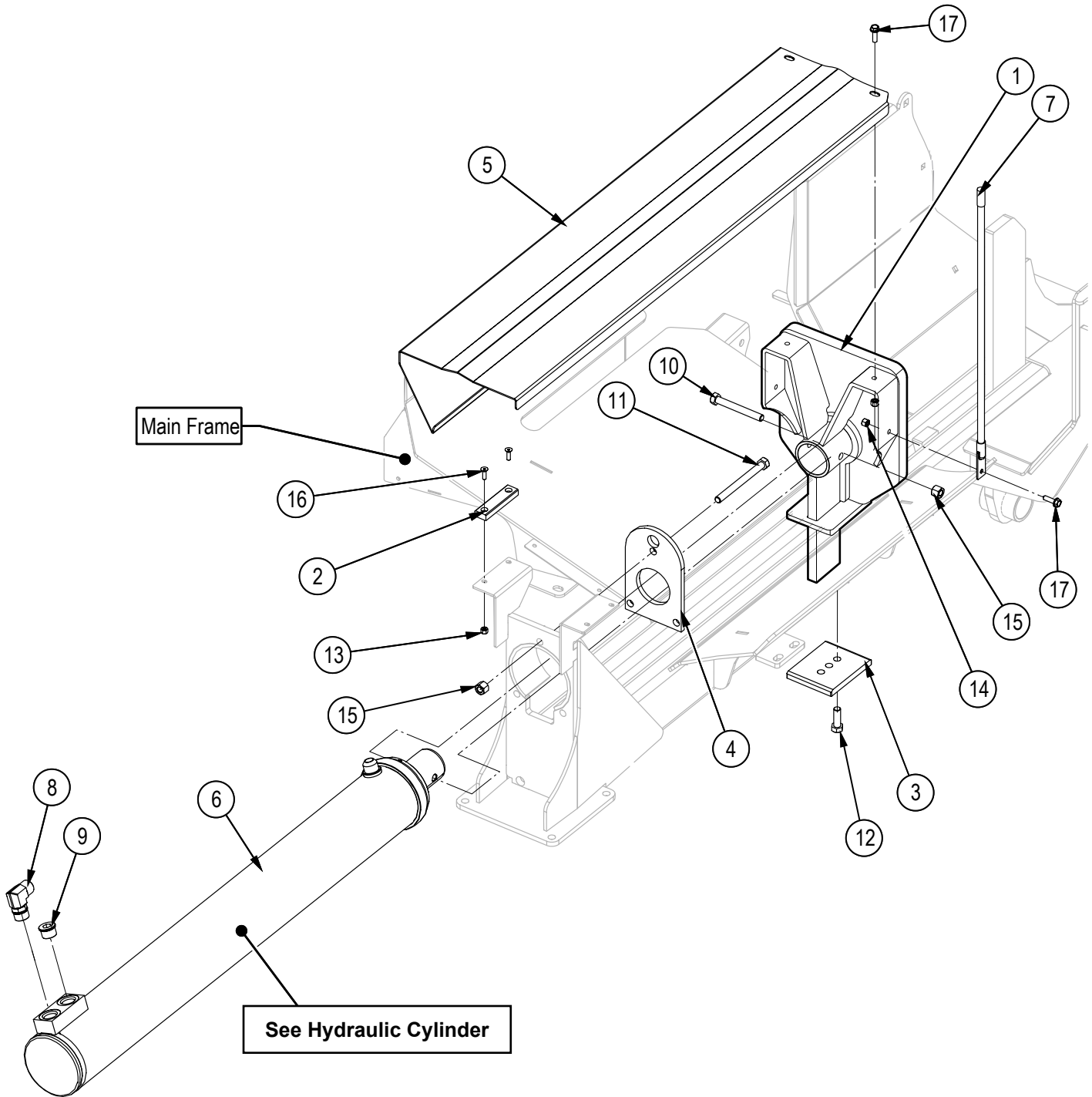
Three Point Hitch Frame Assembly



Item No.	Part No.	Description	Qty
1	2019L922	SMV Post	1
2	2210L015	Brace, 3PH	1
3	2210W058	WP 3PH Frame Adapter	1
4	2210W002	WP 3PH Base	1
5	Z11142	Toplink Pin, 1" x 4-5/16"	1
6	Z11442	Implement Pin, 1-1/8" x 2-1/4" x 7/8NF	2
7	Z12140	Lynch Pin, 7/16"	3
8	Z72211	Hex Lock Nut, 1/4NC	2
9	Z72221	Hex Lock Nut, 5/16NC	2
10	Z72251	Hex Lock Nut, 1/2NC	8
11	Z72282	Hex Lock Nut, 7/8NF	2
12	Z72957	Rivet Nut, 5/16NC x 312	10

Item No.	Part No.	Description	Qty
13	Z73381	Split Lock Washer, 7/8"	2
14	Z76125	Flange Bolt, 5/16NC x 1"	10
15	Z76221	Carriage Bolt, 5/16NC x 3/4"	2
16	Z76259	Carriage Bolt, 1/2NC x 1-1/4"	8
17	Z78301	Machine Screw, 1/4NC x 3/4"	2
18	Z96605	SMV Sign With Spade, Assembled	1
19	Z96603	SMV Socket	1
20	2210W047	Brace, WP240 Tool Box	1
21	Z72531	Serrated Flange Locknut, 3/8NC	2
22	Z76233	Carriage Bolt, 3/8NC x 3/4"	2

Hydraulic Splitter Assembly



Main Frame

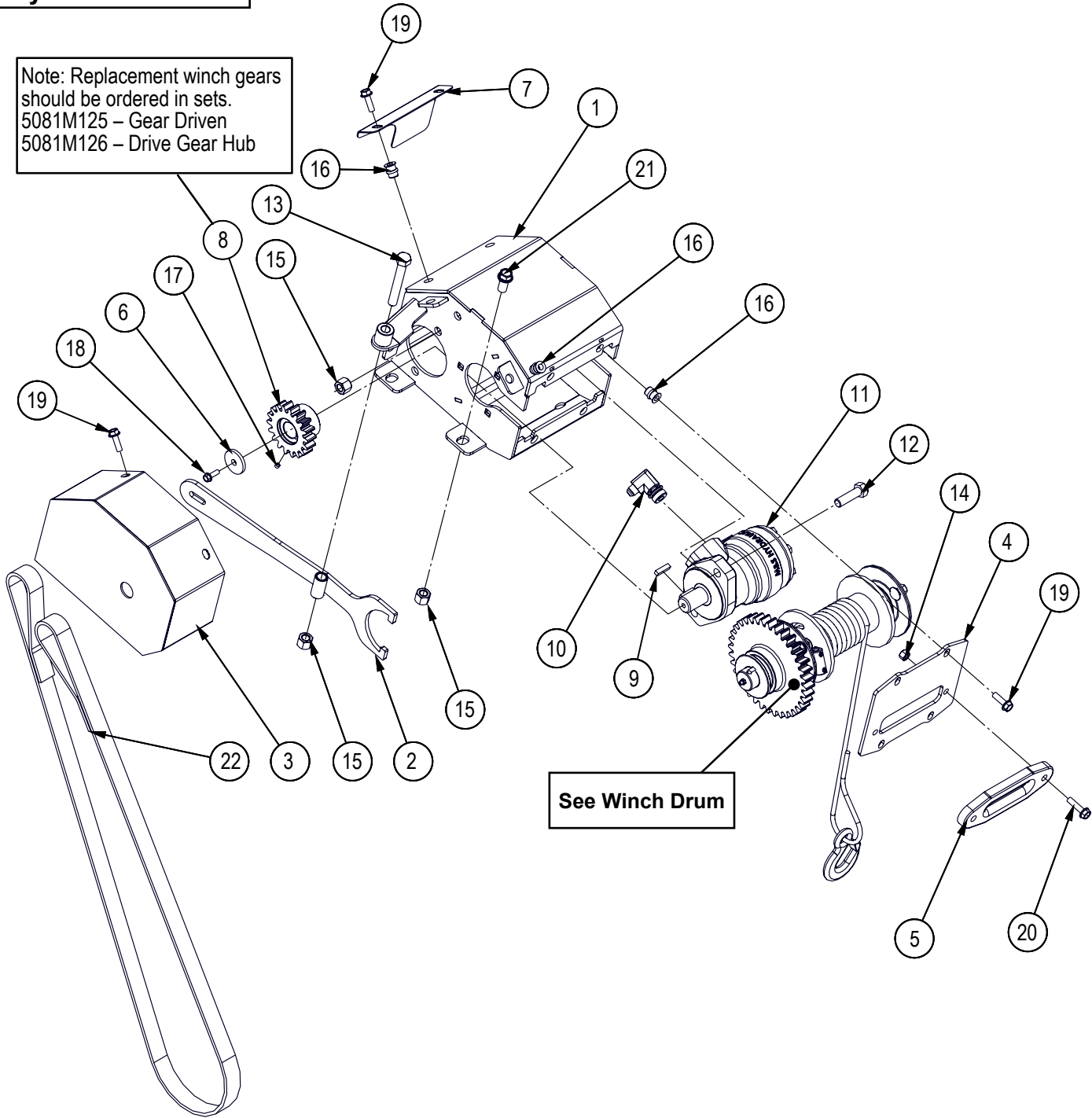
See Hydraulic Cylinder

Item No.	Part Number	Description	Qty
1	2251W053	Hvy Push Block	1
2	1022S208	Rotor Hood Slide	2
3	2055S517	Cap, Push Block	1
4	2071L215	Plate, Cylinder Retaining	1
5	2251L509	Cover, Sliding	1
6	2251C501	Cylinder, 4-1/2" x 37.750"	1
7	Z19908	Blade Guide, 1/2" x 24"	1
8	Z516501	Elbow 90, MJIC x MORB 1212	1
9	Z51695	Socket Plug, MORB 12	1

Item No.	Part Number	Description	Qty
10	Z71540	Hex Bolt, 1/2NC x 4"	1
11	Z71555	Hex Bolt, 1/2NC x 5-1/2"	3
12	Z71576G8	Hex Bolt, 1/2NF x 1-1/2" G8	3
13	Z72211	Hex Lock Nut, 1/4NC	4
14	Z72221	Hex Lock Nut, 5/16NC	4
15	Z72251	Hex Lock Nut, 1/2NC	4
16	Z75211	FHCS, 1/4NC x 7/8"	4
17	Z76125	Flange Bolt, 5/16NC x 1"	4

Hydraulic Winch

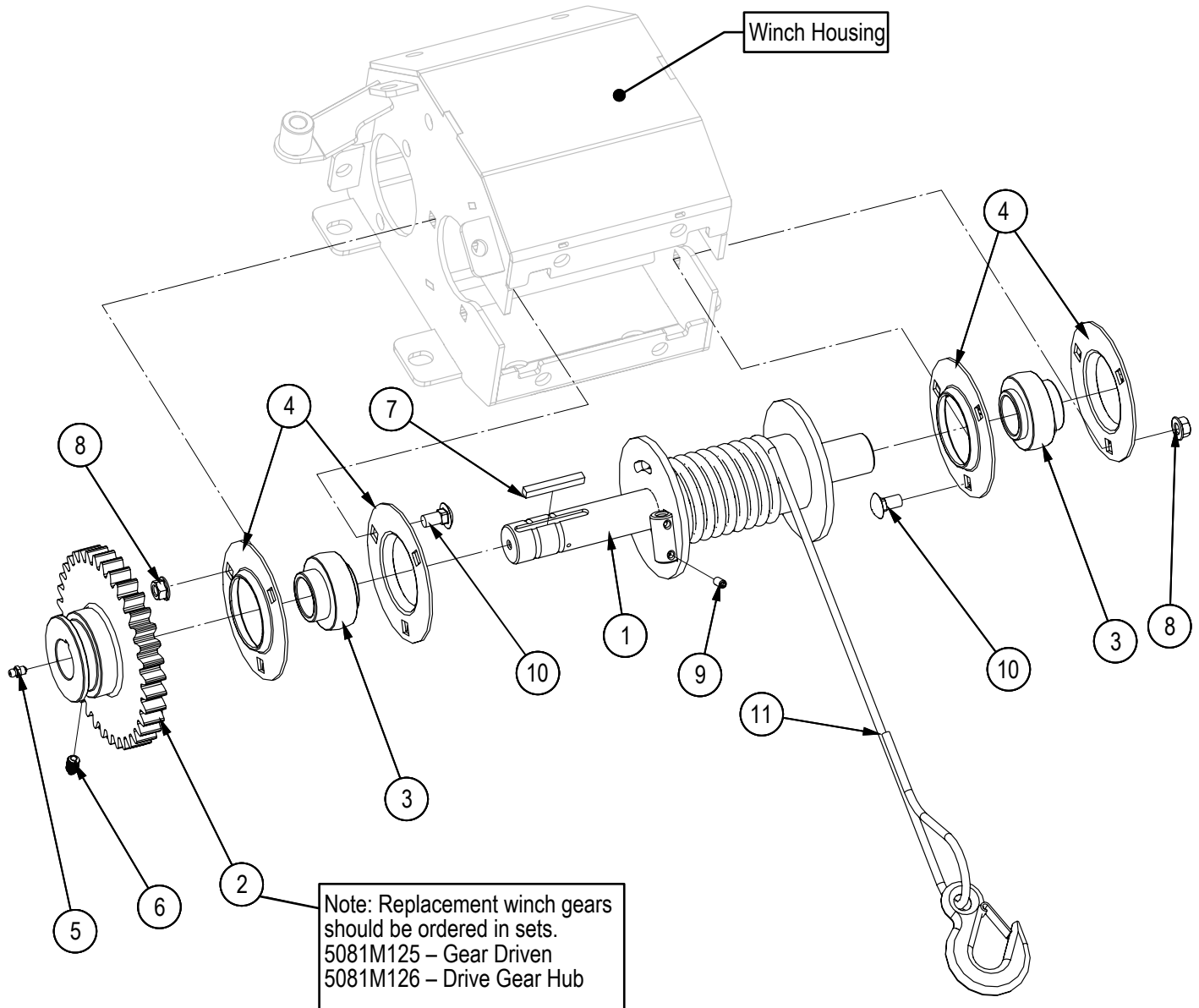
Note: Replacement winch gears should be ordered in sets.
 5081M125 – Gear Driven
 5081M126 – Drive Gear Hub



Item No.	Part No.	Description	Qty
1	2251W018	Housing, Winch	1
2	5081W122	Handle, Winch Clutch	1
3	5081W111	Shield	1
4	2251L071	Mount, Hawse Fairlead	1
5	2251M003	Synthetic Fairlead	1
6	5081L114	Washer, Motor Shaft	1
7	5081L138	Guard	1
8	5081M126	Drive Gear Hub	1
9	Z46533	Key, 1/4" x 1/4" x 1"	1
10	Z51656	Elbow 90, MJIC x MORB 0610	2
11	Z54109	Hydraulic Motor, 100CCR	1
12	Z71517	Hex Bolt, 1/2NC x 1-3/4"	2

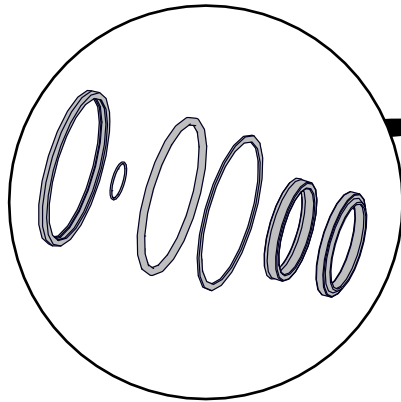
Item No.	Part No.	Description	Qty
13	Z71535	Hex Bolt, 1/2NC x 3-1/2"	1
14	Z72221	Hex Lock Nut, 5/16NC	2
15	Z72251	Hex Lock Nut, 1/2NC	7
16	Z72957	Rivet Nut, 5/16NC x 312	9
17	Z74111	Set Screw, 1/4NC x 1/4"	2
18	Z76111	Flange Bolt, 1/4NC x 3/4"	1
19	Z76125	Flange Bolt, 5/16NC x 1"	9
20	Z76128	Flange Bolt, 5/16NC x 1-1/4"	2
21	Z76153	Flange Bolt, 1/2NC x 1"	4
22	Z92405	Winching Strap, 1" x 5ft	1

Winch Drum

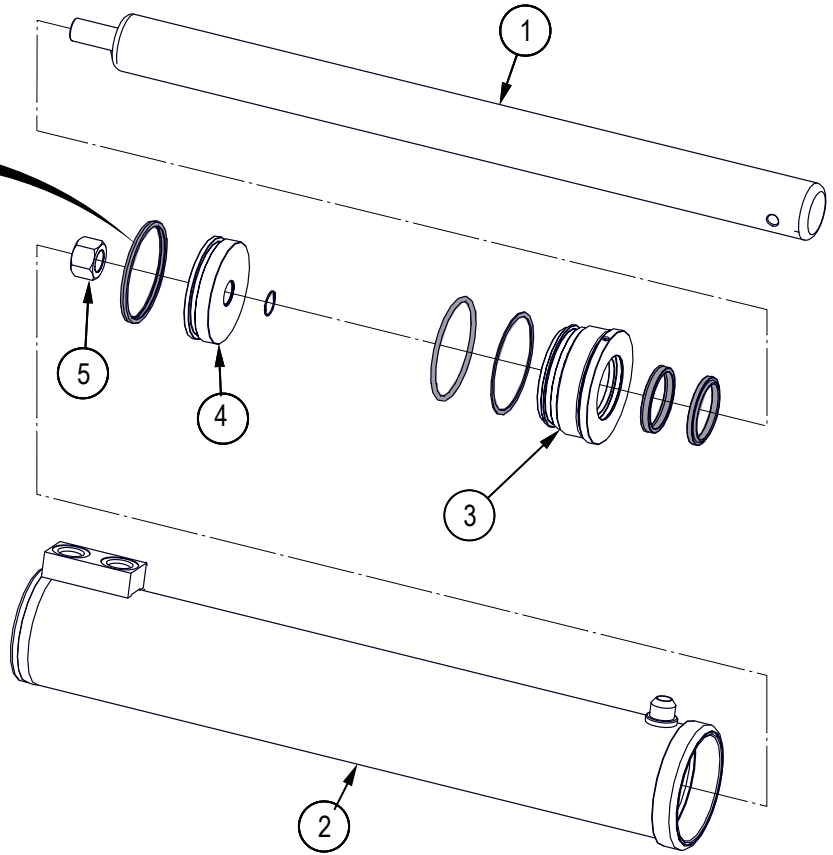


Item No.	Part No.	Description	Qty
1	2251W019	Drum, Main Cable	1
2	5081M125	Gear, Driven	1
3	Z25207	Bearing Insert, UC206-20	2
4	Z25301	3-Bolt Flange Bearing, PF206 x Flange Only	4
5	Z29202	Grease Fitting, 1/4NF	1
6	Z34302	Spring Plunger, 3/8NC x 5/8" x 21 lbs	1
7	Z46531	Key, 1/4" x 1/4" x 2"	1
8	Z72531	Serrated Flange Locknut, 3/8NC	6
9	Z74113	Set Screw, 1/4NC x 1/2"	2
10	Z76233	Carriage Bolt, 3/8NC x 3/4"	6
11	Z92112	Synthetic Winch Rope, 1/4 x 50ft with Grab Hook	1

Cylinder

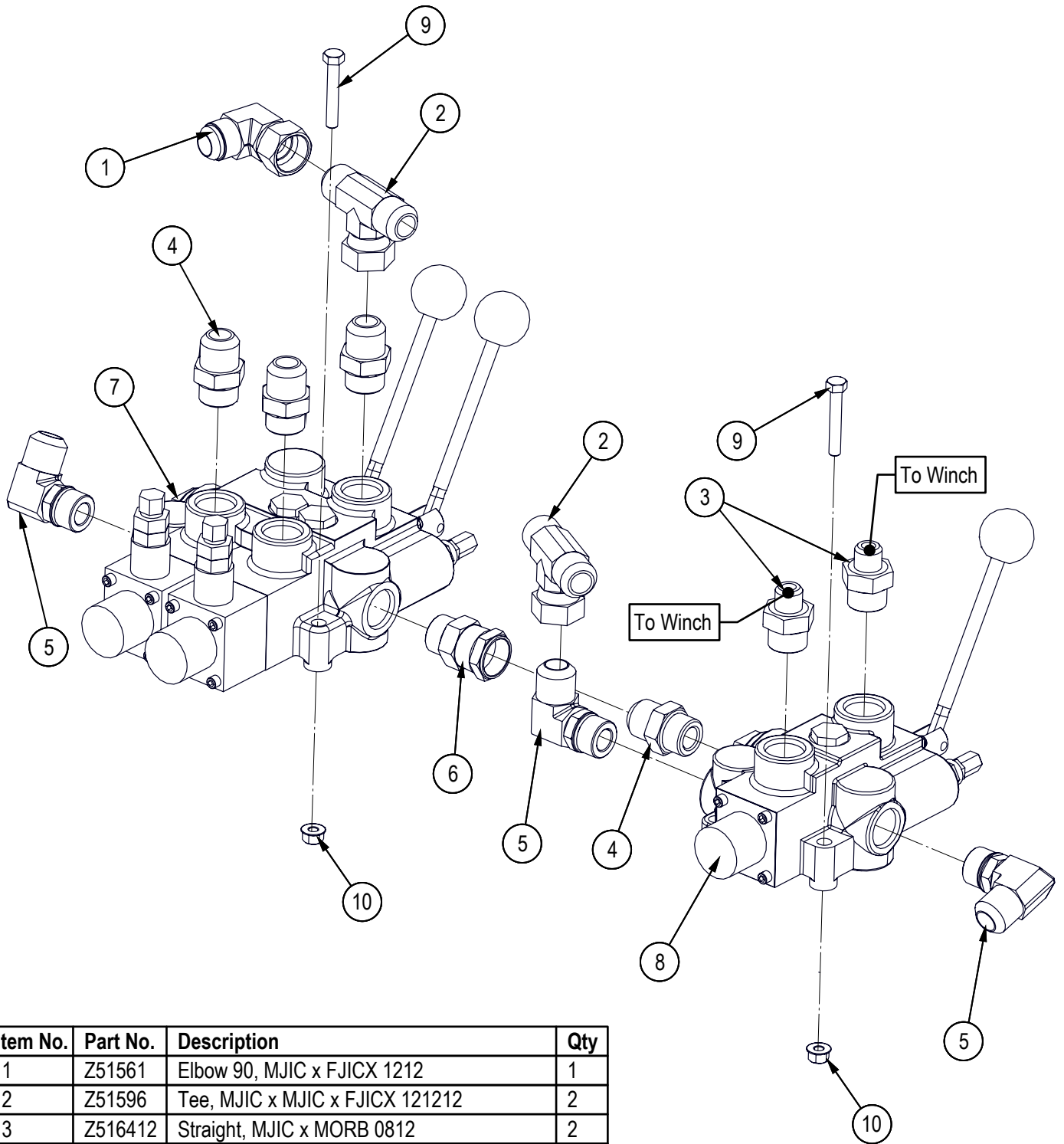


Seal Kit #SLK-4525



Item No.	Part No.	Description	Qty
1	2251C0012	Rod, 2-1/2x 1	1
2	2251C0014	Barrel, 4-1/2"	1
3	G450-250S	Gland, 4-1/2" x 2-1/2"	1
4	P100-450SP	Piston, 4-1/2" Bore	1
5	Z722909G8	Hex Top-lock Nut, 1-14NF G8	1

Valve Assembly

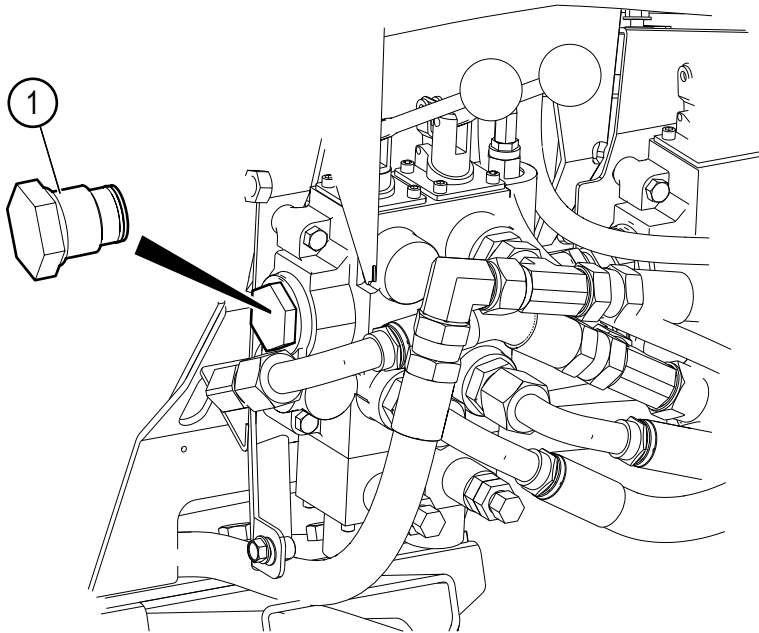


Item No.	Part No.	Description	Qty
1	Z51561	Elbow 90, MJIC x FJICX 1212	1
2	Z51596	Tee, MJIC x MJIC x FJICX 121212	2
3	Z516412	Straight, MJIC x MORB 0812	2
4	Z516414	Straight, MJIC x MORB 1212	4
5	Z516501	Elbow 90, MJIC x MORB 1212	3
6	Z51764	Straight, MORB x FJICX 1212	1
7	Z56213	Auto-Cycle Valve, OC x 25GPM	1
8	Z56224	Single Spool Valve, PB Tandem SC x 30GPM	1
9	Z71220	Hex Bolt, 5/16NC x 2"	6
10	Z72521	Serrated Flange Locknut, 5/16NC	6

Closed Center Plug

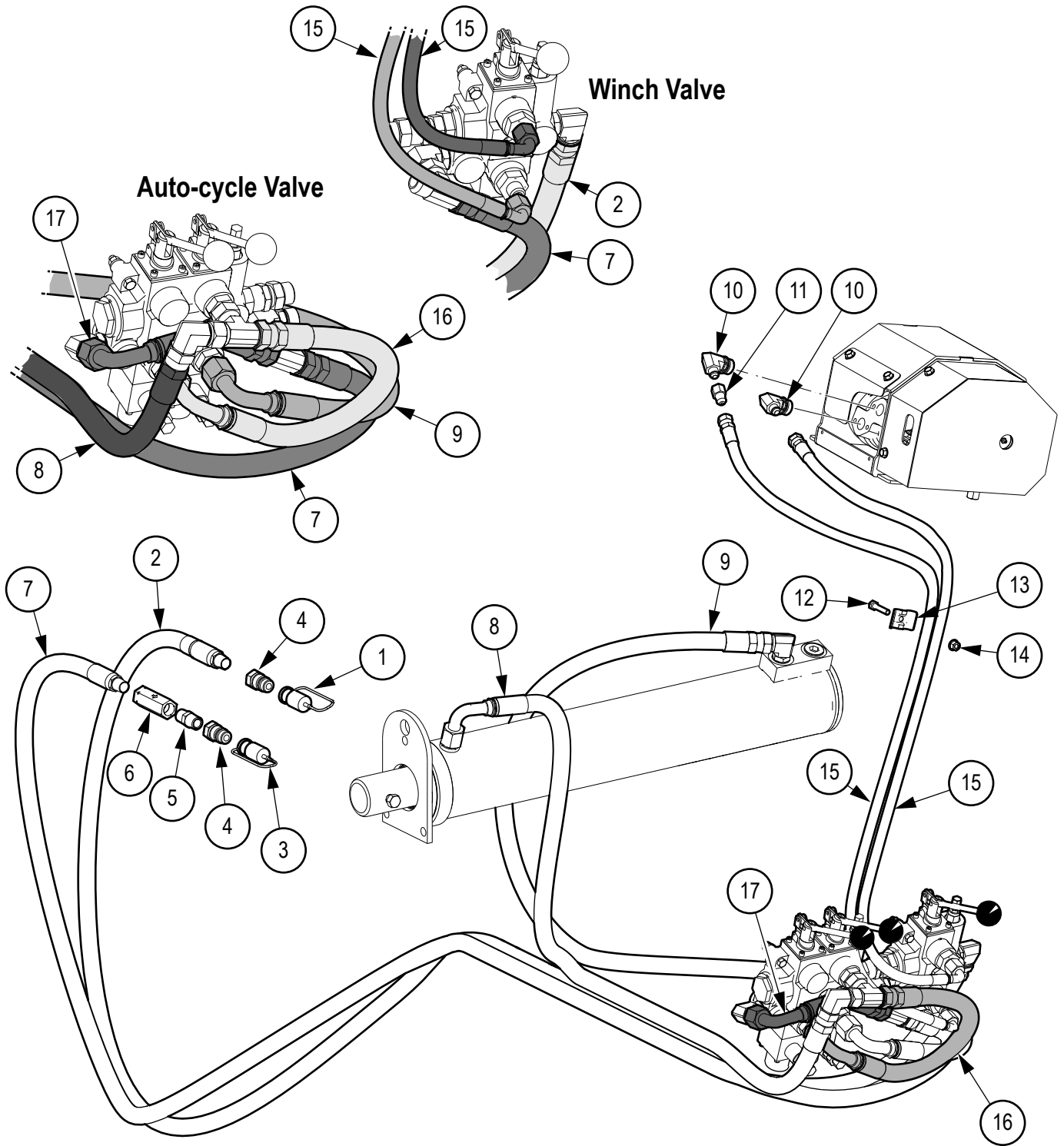
For tractors with a closed-center hydraulic circuit.

Replace port plug in the main control valve with item 1.



Item No.	Part No.	Description	Qty
1	Z56917	Plug, Closed Center	1

Hydraulic Circuit

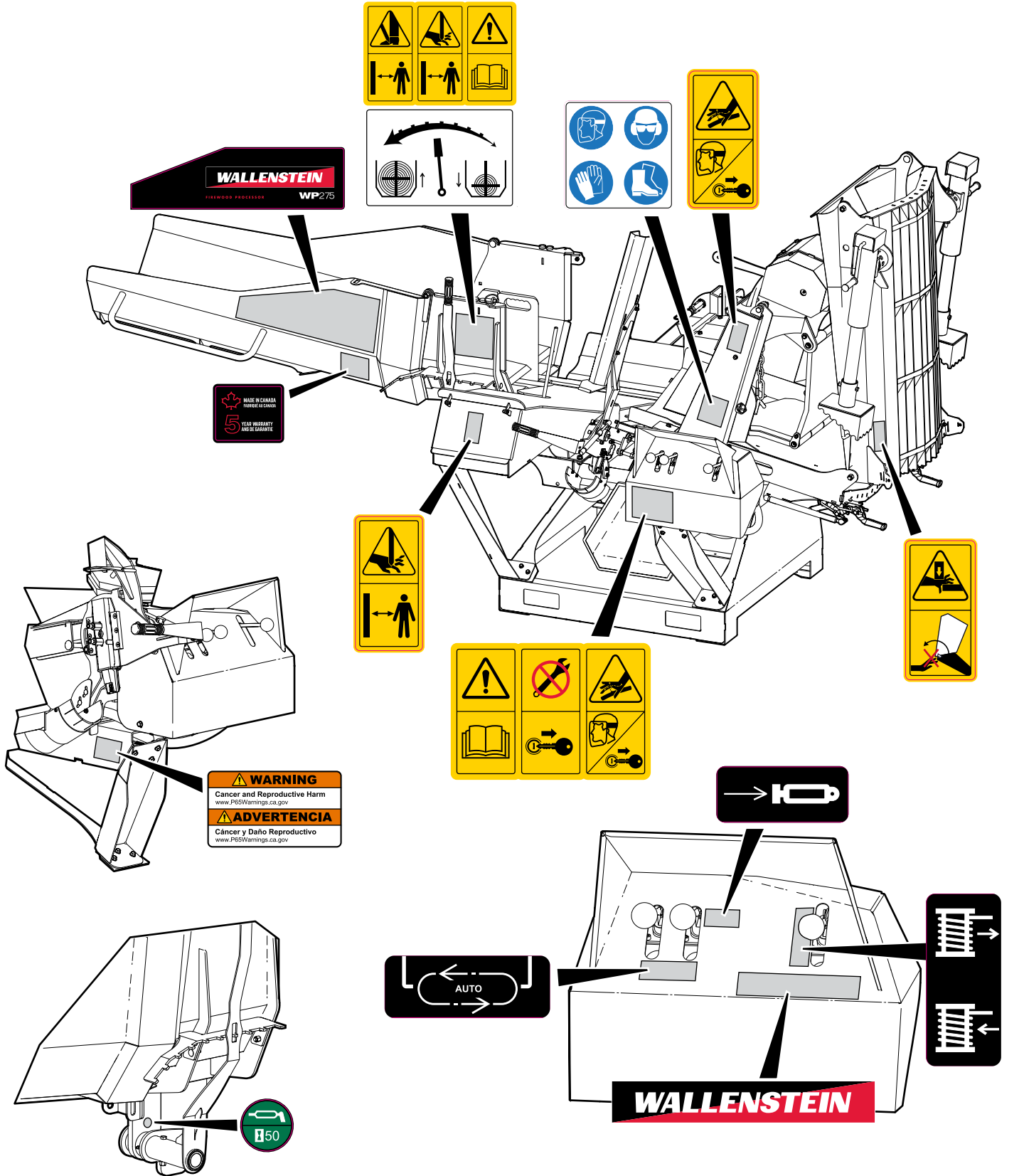


Item No.	Part No.	Description	Qty	Item No.	Part No.	Description	Qty
1	Z52831	Nipple Cap, Red	1	10	Z51656	Elbow, 90° MJIC x MORB 0610	2
2	2210F003	3/4" Hose FJIC12 x MP08 x 102"	1	11	Z51944	Straight, FJIC x MJIC 0606 x 0.125" Orifice	1
3	Z52832	Nipple Cap, Black	1	12	Z71215	Hex Bolt, 5/15NC x 1-1/2"	1
4	Z51926	Quick Coupler, FP08 x M ISO 7241-1	2	13	Z51944	Hose Clamp, 2 x 3/8"	1
5	Z51122	Straight, MP x MP 0808	1	14	Z72251	Hex Lock Nut, 1/2NC	1
6	Z56102	Check Valve, FP08 x 0PSI	1	15	2251F007	3/8" Hose, FJIC06 x 90FJIC08 x 43"	2
7	2210F002	3/4" Hose, FJIC12 x MP08 x 102"	1	16	2251F006	3/4" Hose, FJIC12 x 90FJIC12 x 17"	1
8	2210F001	3/4" Hose, FJIC12 x 90FJIC12 x 63"	1	17	2251F008	3/4" Hose, FJIC12 x 90FJIC12 x 4-3/4"	1
9	2210F510	3/4" Hose, FJIC12 x 90FJIC12 x 66"	1				

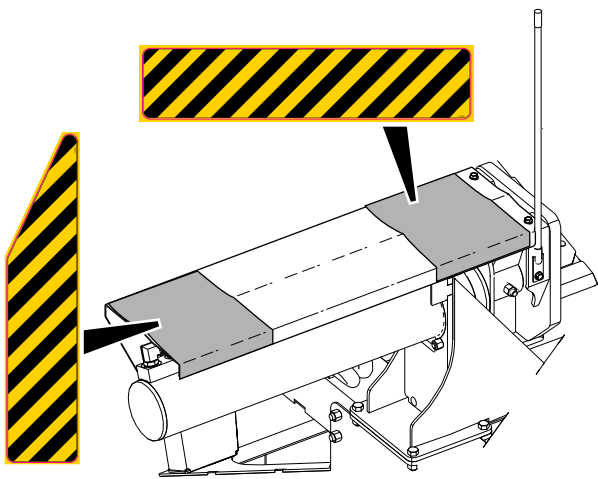
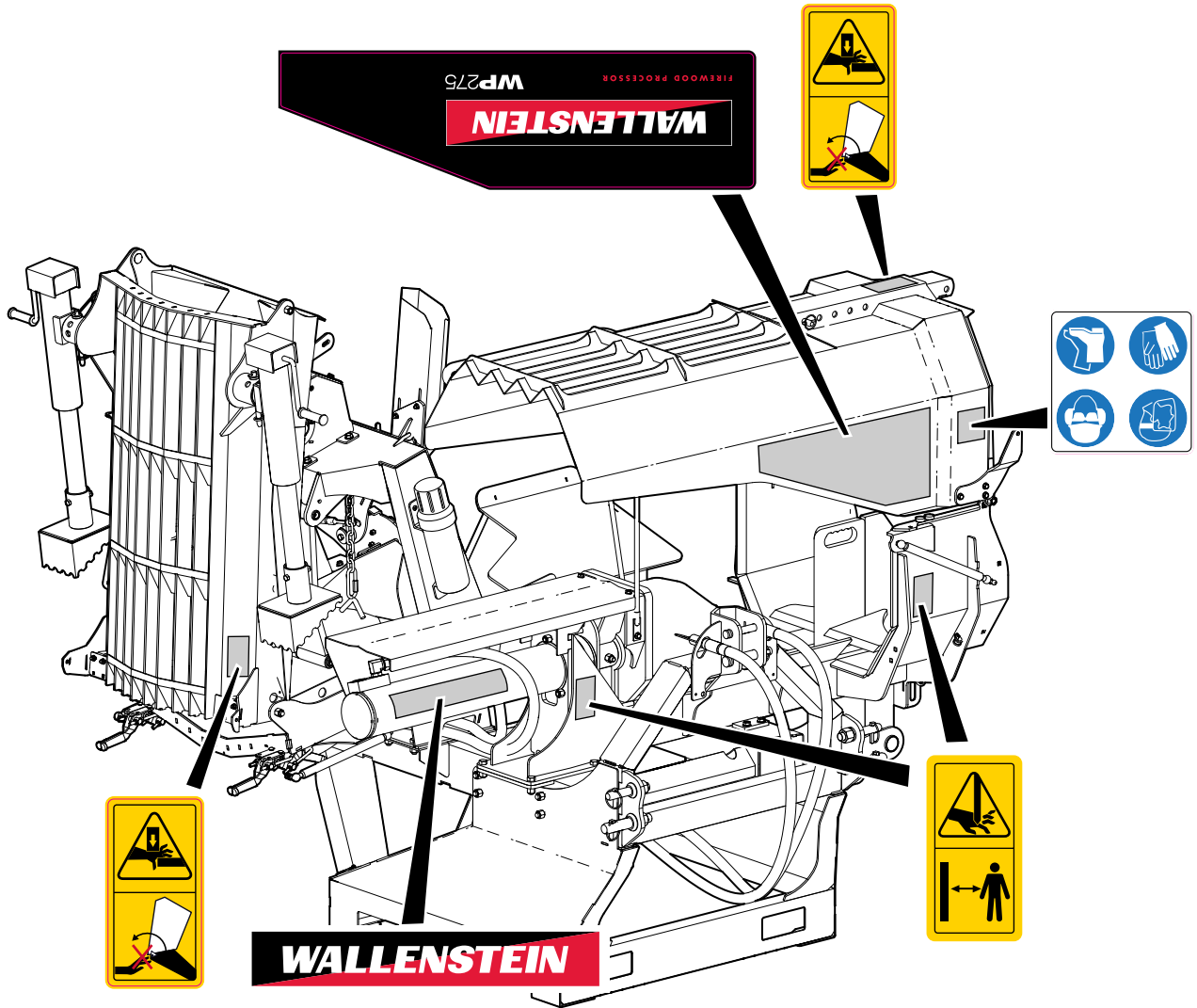
Decal Layout

IMPORTANT! If parts are replaced that have safety signs on them, new signs must be applied. Safety signs must always be replaced if they become damaged, are removed, or become illegible.

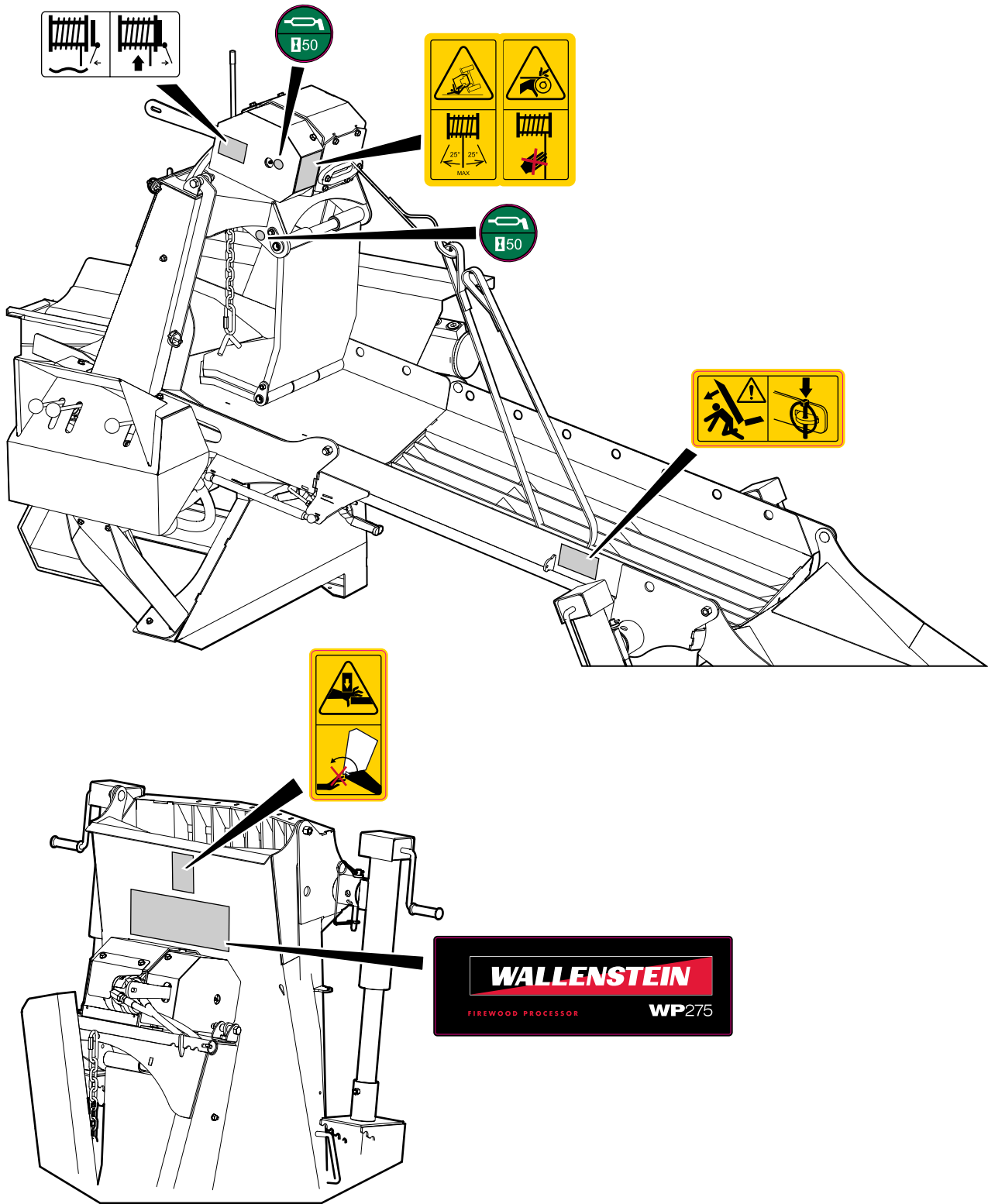
Safety signs are included in the product decal kit available from your authorized dealer. Decals are not available separately.



Decal Layout

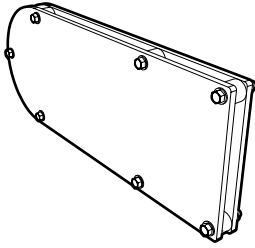


Decal Layout



Accessories

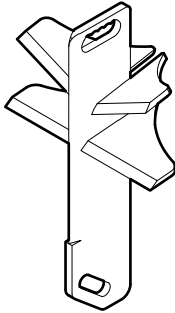
Call your dealer for pricing and availability



P100 NYLON CHAIN SAW HOLSTER P/N 2089A570

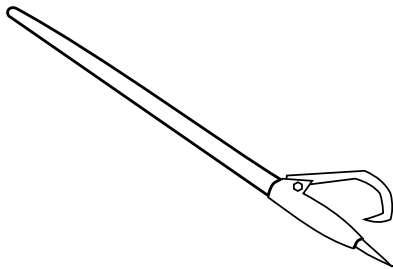
For models: **WP840, WP870**
easy to install, fastens to Wood Processor

Nylon holder, safely holds your Chain Saw keeping it off the ground and out of the way!



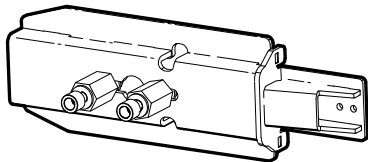
6-WAY WEDGE – P/N 2089W572

Boost productivity and make quick work out of chunks by splitting into six pieces at once.



48" LOG PEAVEY – P/N Z99001

Helps to move those heavy log timbers into position, and finish getting your last logs through the Wood Processor!



P211 UNIVERSAL CHAIN SAW ADAPTOR

Save time by attaching a spare chain saw adaptor to a second saw.


Common Bolt Torque Values

Checking Bolt Torque

The tables shown give correct torque values for various bolts and capscrews. Tighten all bolts to the torque values specified in the table, unless indicated otherwise. Check tightness of bolts periodically.

IMPORTANT! If replacing hardware, use fasteners of the same grade.

IMPORTANT! Torque figures indicated in the table are for non-greased or non-oiled threads. Do not grease or oil threads unless indicated otherwise. When using a thread locker, increase torque values by 5%.

 **NOTE:** Bolt grades are identified by their head markings.

Imperial Bolt Torque Specifications

Bolt Diameter	Torque Value					
	SAE Gr. 2		SAE Gr. 5		SAE Gr. 8	
	lbf•ft	N•m	lbf•ft	N•m	lbf•ft	N•m
1/4"	6	8	9	12	12	17
5/16"	10	13	19	25	27	36
3/8"	20	27	33	45	45	63
7/16"	30	41	53	72	75	100
1/2"	45	61	80	110	115	155
9/16"	60	95	115	155	165	220
5/8"	95	128	160	215	220	305
3/4"	165	225	290	390	400	540
7/8"	170	230	420	570	650	880
1"	225	345	630	850	970	1320



SAE Gr. 2



SAE Gr. 5



SAE Gr. 8

Metric Bolt Torque Specifications

Bolt Diameter	Torque Value			
	Gr. 8.8		Gr. 10.9	
	lbf•ft	N•m	lbf•ft	N•m
M3	0.4	0.5	1.3	1.8
M4	2.2	3	3.3	4.5
M6	7	10	11	15
M8	18	25	26	35
M10	37	50	52	70
M12	66	90	92	125
M14	83	112	116	158
M16	166	225	229	310
M20	321	435	450	610
M30	1,103	1 495	1,550	2 100



8.8



10.9

Hydraulic Fitting Torque Values

Tightening Flare Type Tube Fittings

1. Check flare and flare seat for defects that might cause leakage.
2. Align tube with fitting before tightening.
3. Hand-tighten swivel nut until snug.
4. To prevent twisting the tube, use two wrenches. Place one wrench on the connector body and tighten the swivel nut with the second. Torque to values shown.

If a torque wrench is not available, use the FFFT (Flats From Finger Tight) method.

Hydraulic Fitting Torque					
Tube Size OD	Hex Size Across Flats	Torque value		Flats From Finger Tight	
		lbf•ft	N•m	Flats	Turns
3/16	7/16	6	8	2	1/6
1/4	9/16	11–12	15–17	2	1/6
5/16	5/8	14–16	19–22	2	1/6
3/8	11/16	20–22	27–30	1-1/4	1/6
1/2	7/8	44–48	59–65	1	1/6
5/8	1	50–58	68–79	1	1/6
3/4	1-1/4	79–88	107–119	1	1/8
1	1-5/8	117–125	158–170	1	1/8

Values shown are for non-lubricated connections.