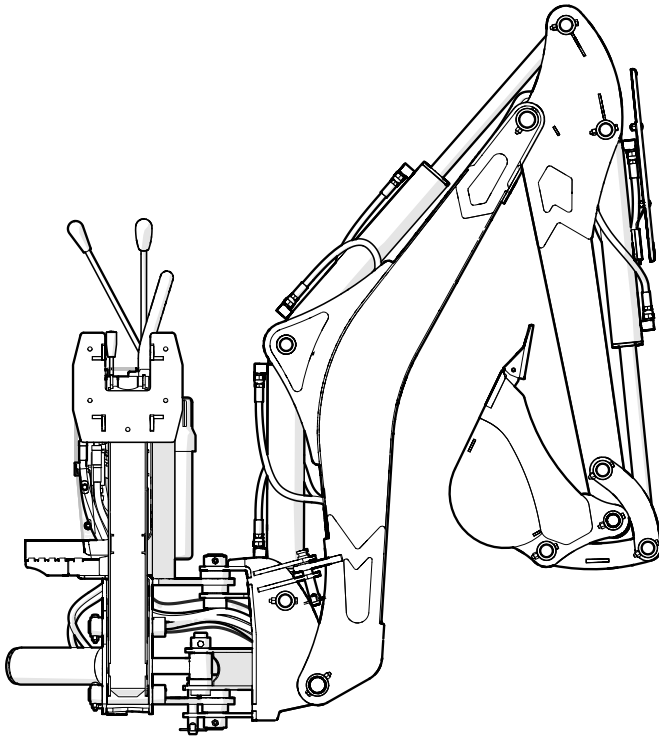


# PARTS MANUAL

---

Serial Number 3605001 & up

**GE605**  
**BACKHOE**



## Foreword

This Wallenstein parts manual is prepared to assist customers in ordering quality OEM replacement parts.

Regular maintenance combined with replacing old, worn or broken parts with the correct OEM parts is essential in prolonging the life of your Wallenstein product. Refer to this manual to identify replacement parts.

To order parts, contact your Wallenstein dealer or distributor. Have the product model and serial number handy.

If your dealer is no longer available, please go to our website: <http://wallensteinequipment.com> and click on the [Dealer Locator](#) to find the nearest dealer.

All information contained in this parts manual is current as per the revision date at the bottom of the page. Wallenstein reserves the right to change product specifications at any time without notice.

If your product specifications differ from those contained in this manual, contact Wallenstein for current information.

Reproduction of information in this parts manual is prohibited without prior written permission from Wallenstein Equipment Inc.

Wallenstein Equipment Inc. • © 2019

## WARNING!

Refer to the operators manual for safe operation and maintenance.

Maintenance should be performed by trained personnel only.

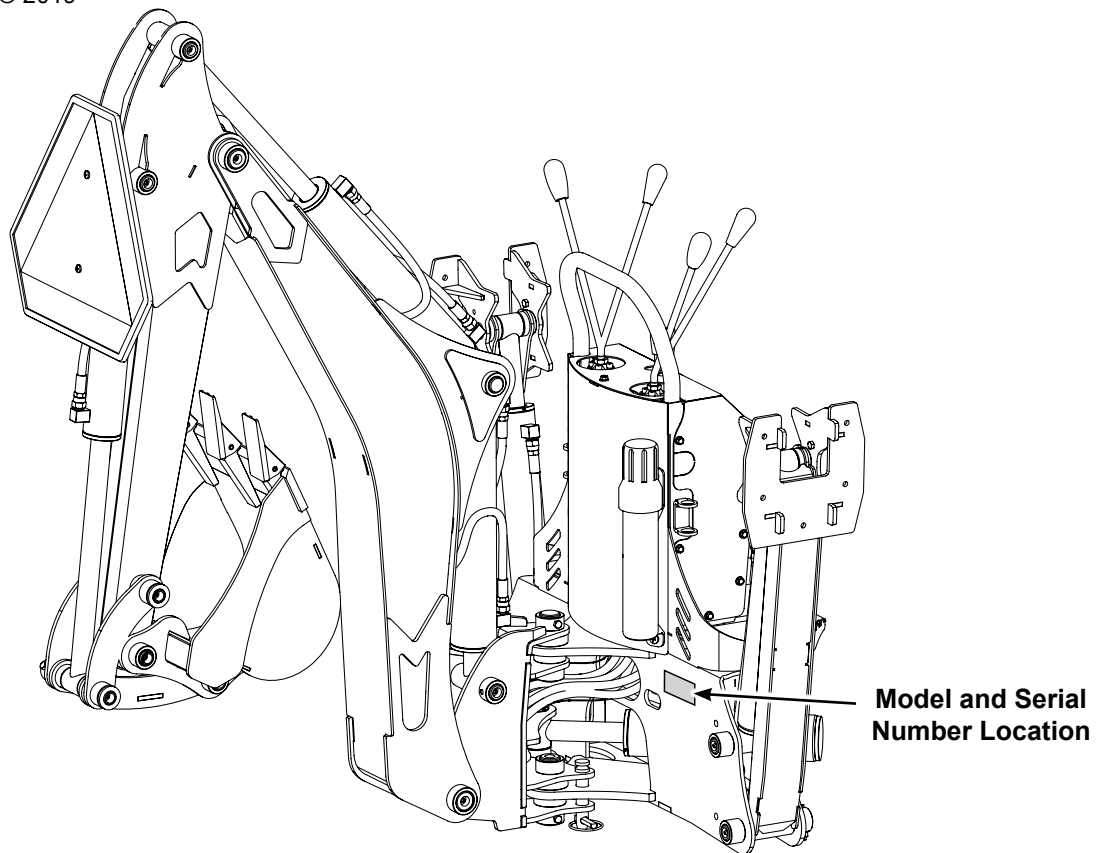
## Serial Number Location

Always provide the model and serial number of your Wallenstein product when ordering parts or requesting service or other information. This information is found on the product information plate as shown below.

Record your product information here for future reference.

Model \_\_\_\_\_

Serial Number \_\_\_\_\_

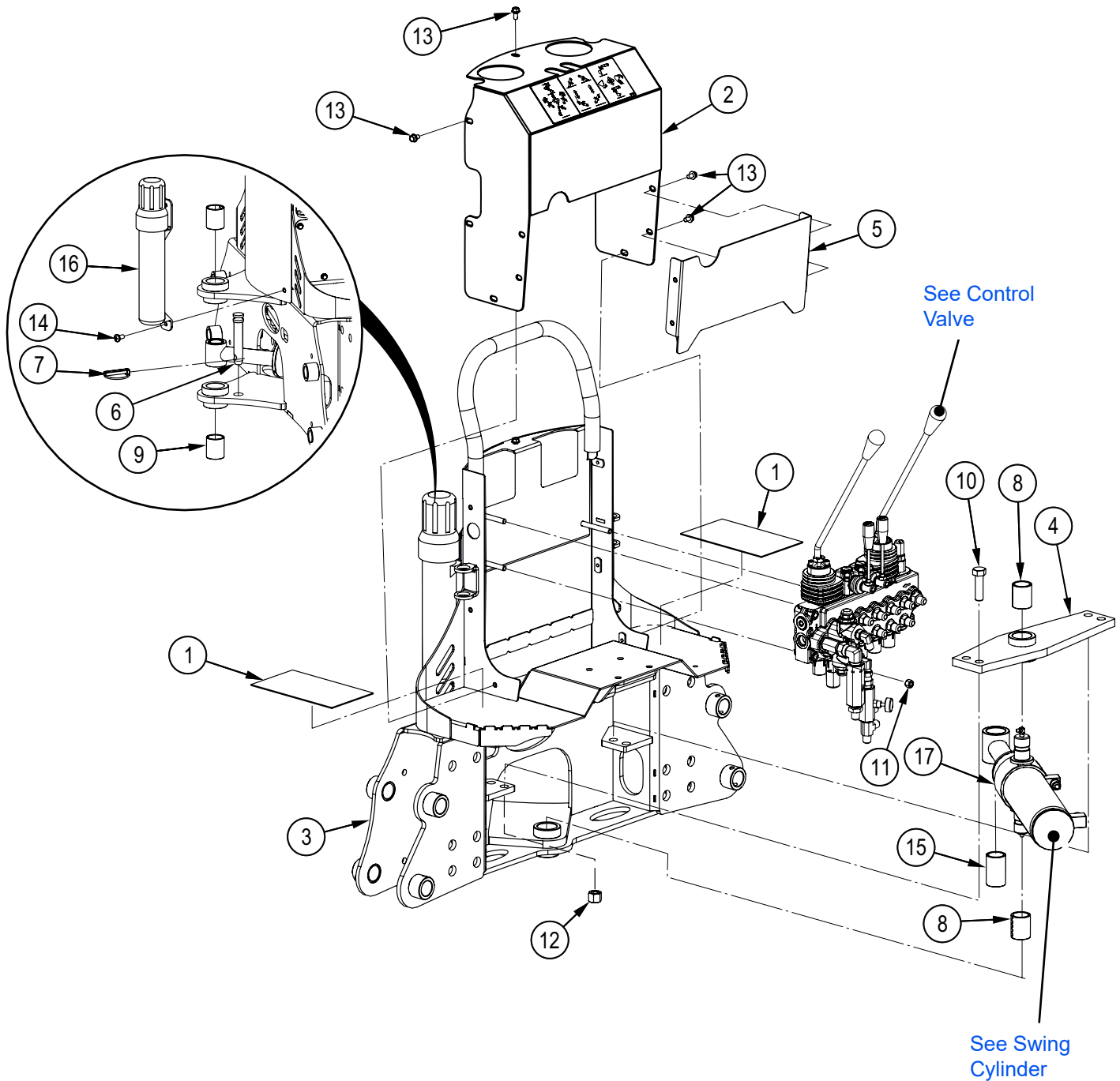


[www.wallensteinequipment.com](http://www.wallensteinequipment.com)

## Contents

<b>Main Frame Assembly Serial Number 3605001 up to 360568 .....</b>	<b>4A</b>
<b>Main Frame Assembly Serial Number 360569 and Up .....</b>	<b>4B</b>
<b>Top Link—S/N 360569 &amp; Up .....</b>	<b>5</b>
<b>Stabilizer Assembly .....</b>	<b>6</b>
<b>Main Boom Assembly .....</b>	<b>7</b>
<b>Dipper Boom Assembly .....</b>	<b>8</b>
<b>Bucket &amp; Linkage Assembly .....</b>	<b>9</b>
<b>Swing Cylinder .....</b>	<b>10</b>
<b>Stabilizer Cylinder .....</b>	<b>11</b>
<b>Main Boom Cylinder .....</b>	<b>12</b>
<b>Dipper Boom Cylinder .....</b>	<b>13</b>
<b>Bucket Cylinder .....</b>	<b>14</b>
<b>Hydraulic Valve Assembly .....</b>	<b>15</b>
<b>Valve Service Parts .....</b>	<b>16</b>
<b>Hydraulic Circuit .....</b>	<b>17</b>
<b>Hydraulic Plumbing Diagram .....</b>	<b>18</b>
<b>Accessories .....</b>	<b>19</b>
<b>Accessories Seat Assembly BT7251 .....</b>	<b>20</b>
<b>Decal Layout .....</b>	<b>21</b>
<b>Common Bolt Torque Values .....</b>	<b>23</b>
<b>Hydraulic Fitting Torque Values .....</b>	<b>24</b>

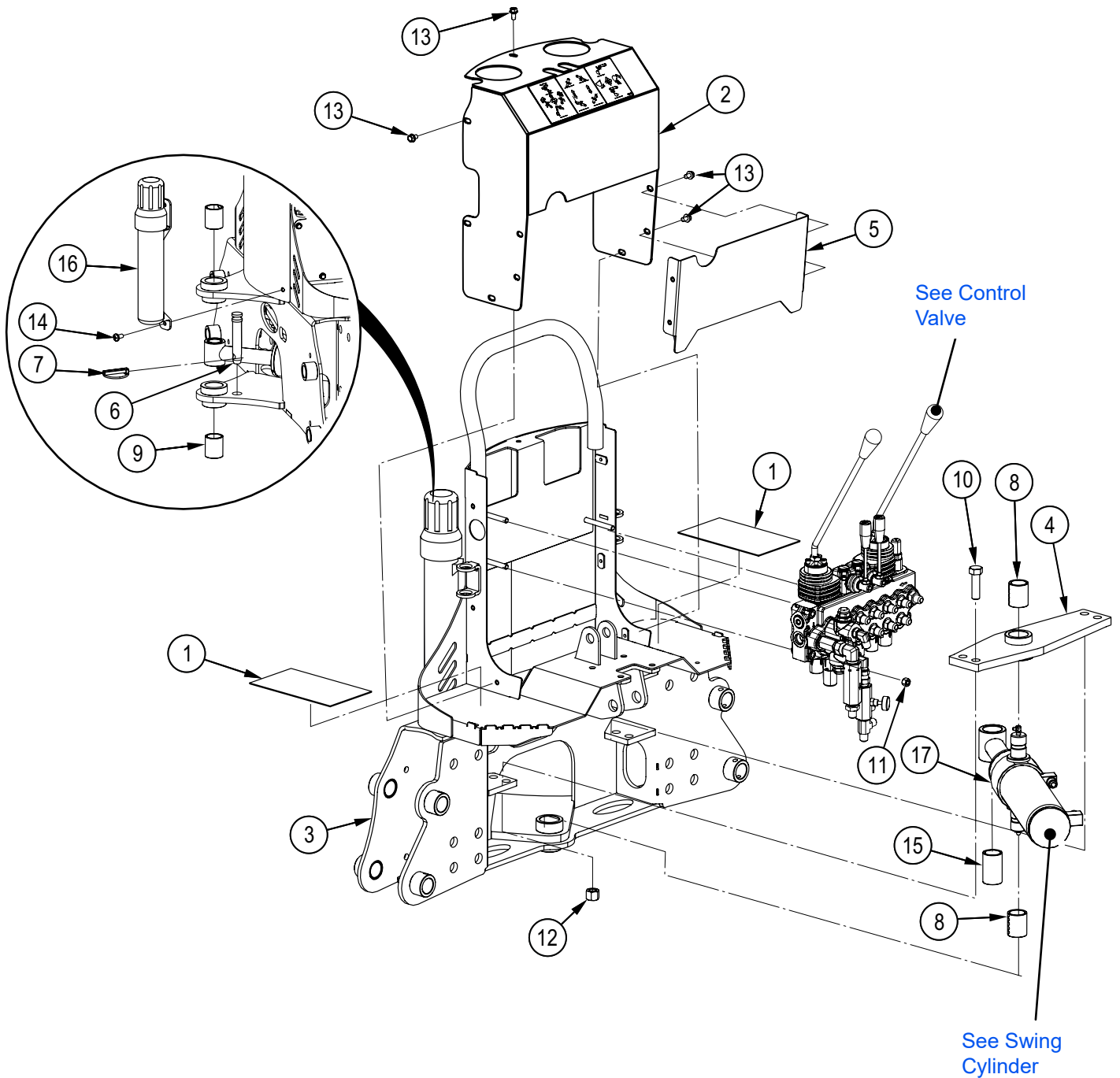
Main Frame Assembly Serial Number 3605001 up to 360568



Item No.	Part No.	Description	Qty
1	3015F101	Extreme Antislip Tape, Black 4" x 7" Lg.	2
2	3015L108	Shield, Control Valve	1
3	3015W104	Main Frame	1
4	3015W105	Bar, Swing Cylinder Retaining	1
5	3015W111	Weldment, Hose Safety Cover	1
6	Z11121	Toplink Pin, 3/4" x 2-3/4"	1
7	Z12140	Lynch Pin, 7/16"	1
8	Z27221	Bushing, 1" ID x 1-1/2" Long x 1/8" Wall	2
9	Z27231	Bushing, 1-1/4" ID x 1-3/4" Long x 1/8" Wall	2

Item No.	Part No.	Description	Qty
10	Z71517	Hex Bolt, 1/2NC x 1-3/4"	4
11	Z72221	Hex Lock Nut, 5/16NC	3
12	Z72251	Hex Lock Nut, 1/2NC	4
13	Z76113	Flange Bolt, 1/4NC x 3/8"	11
14	Z78306	Machine Screw, 5/16NC x 5/8"	2
15	Z27222	Bushing, 1" ID x 2" Long x 1/8" Wall	1
16	Z96505	Manual Tube, 2" Short	1
17	3015C105	GXL Cylinder, 2-1/2" x 1-1/4" x 7-1/4"	1

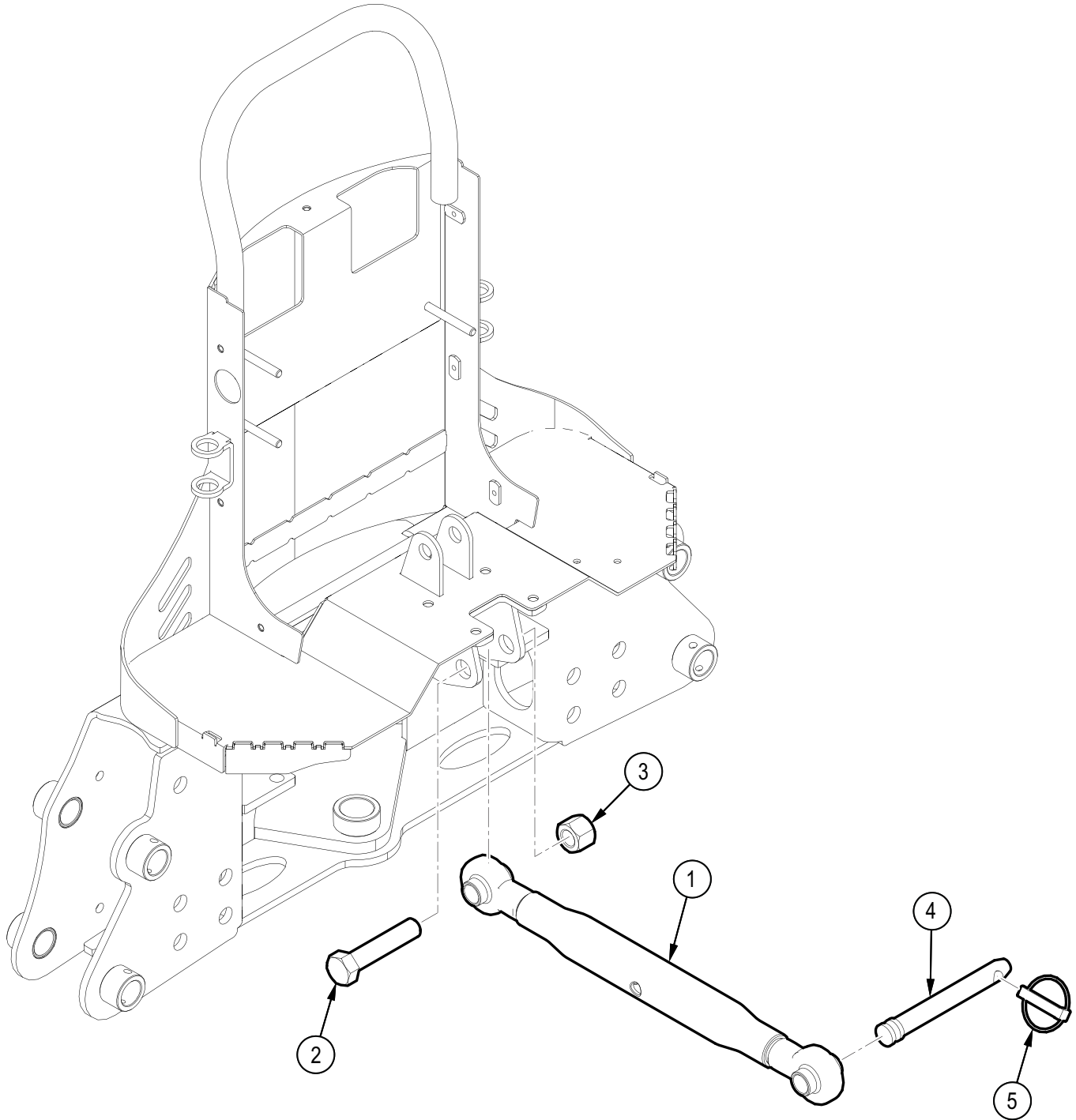
**Main Frame Assembly Serial Number 360569 and Up**



Item No.	Part No.	Description	Qty
1	3015F101	Extreme Antislip Tape, Black 4" x 7" Lg.	2
2	3015L108	Shield, Control Valve	1
3	3015W104	Main Frame	1
4	3015W105	Bar, Swing Cylinder Retaining	1
5	3015W111	Weldment, Hose Safety Cover	1
6	Z11121	Toplink Pin, 3/4" x 2-3/4"	1
7	Z12140	Lynch Pin, 7/16"	1
8	Z27221	Bushing, 1" ID x 1-1/2" Long x 1/8" Wall	2
9	Z27231	Bushing, 1-1/4" ID x 1-3/4" Long x 1/8" Wall	2

Item No.	Part No.	Description	Qty
10	Z71517	Hex Bolt, 1/2NC x 1-3/4"	4
11	Z72221	Hex Lock Nut, 5/16NC	3
12	Z72251	Hex Lock Nut, 1/2NC	4
13	Z76113	Flange Bolt, 1/4NC x 3/8"	11
14	Z78306	Machine Screw, 5/16NC x 5/8"	2
15	Z27222	Bushing, 1" ID x 2" Long x 1/8" Wall	1
16	Z96505	Manual Tube, 2" Short	1
17	3015C105	GXL Cylinder, 2-1/2" x 1-1/4" x 7-1/4"	1

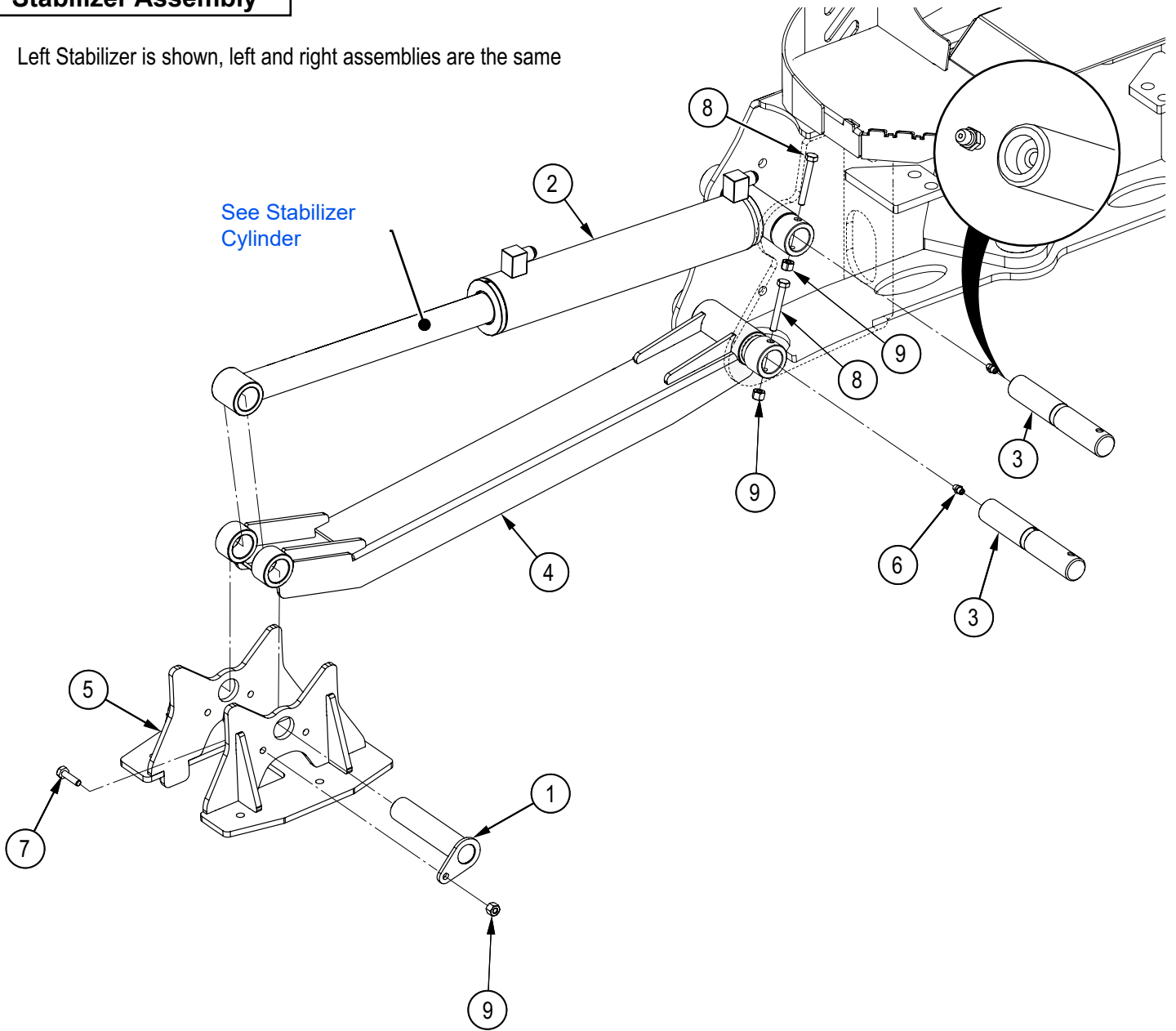
## Top Link—S/N 360569 &amp; Up



Item No.	Part No.	Description	Qty
1	Z11502	Body, Cat 1 Short Toplink	1
2	Z71735	Hex Bolt, 3/4NC x 3-1/2"	1
3	Z72271	Hex Lock Nut, 3/4NC	1
4	Z11123	Toplink Pin, 3/4" x 4-3/4"	1
5	Z12140	Lynch Pin, 7/16"	1

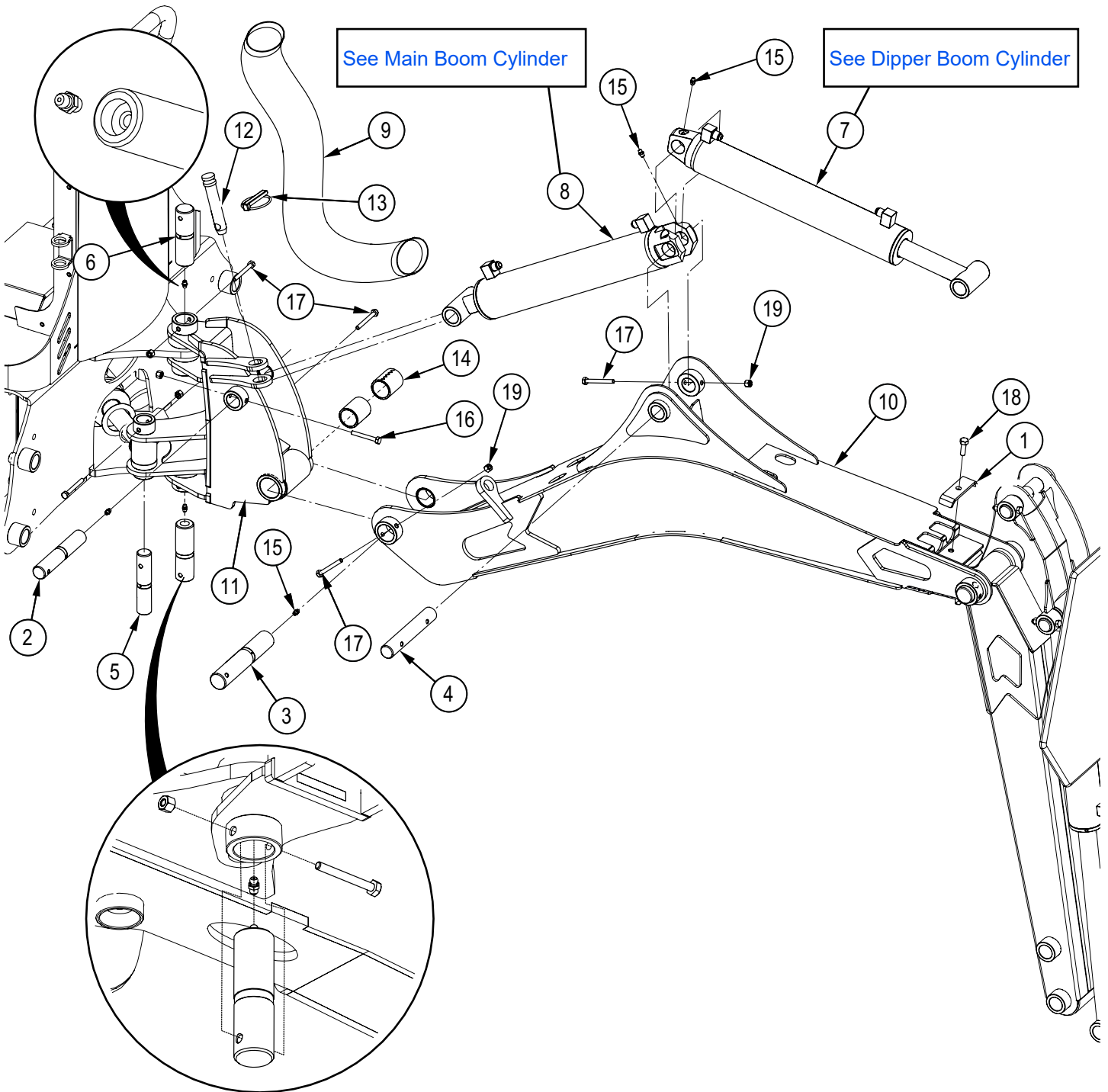
**Stabilizer Assembly**

Left Stabilizer is shown, left and right assemblies are the same



Item No.	Part No.	Description	Qty
1	3011W118	Flange Pin, 1" x 4-1/2"	2
2	3015C101	GXL Cylinder, 2" x 1-1/4" x 9-7/8"	2
3	3015M107	Pin, 1" x 6" Greasable	4
4	3015W106	Stabilizer	2
5	3015W110	Flip-over Foot	2
6	Z29202	Grease Fitting, 1/4NF	4
7	Z71110	Hex Bolt, 1/4NC x 1"	2
8	Z71120	Hex Bolt, 1/4NC x 2"	4
9	Z72211	Hex Lock Nut, 1/4NC	6

**Main Boom Assembly**

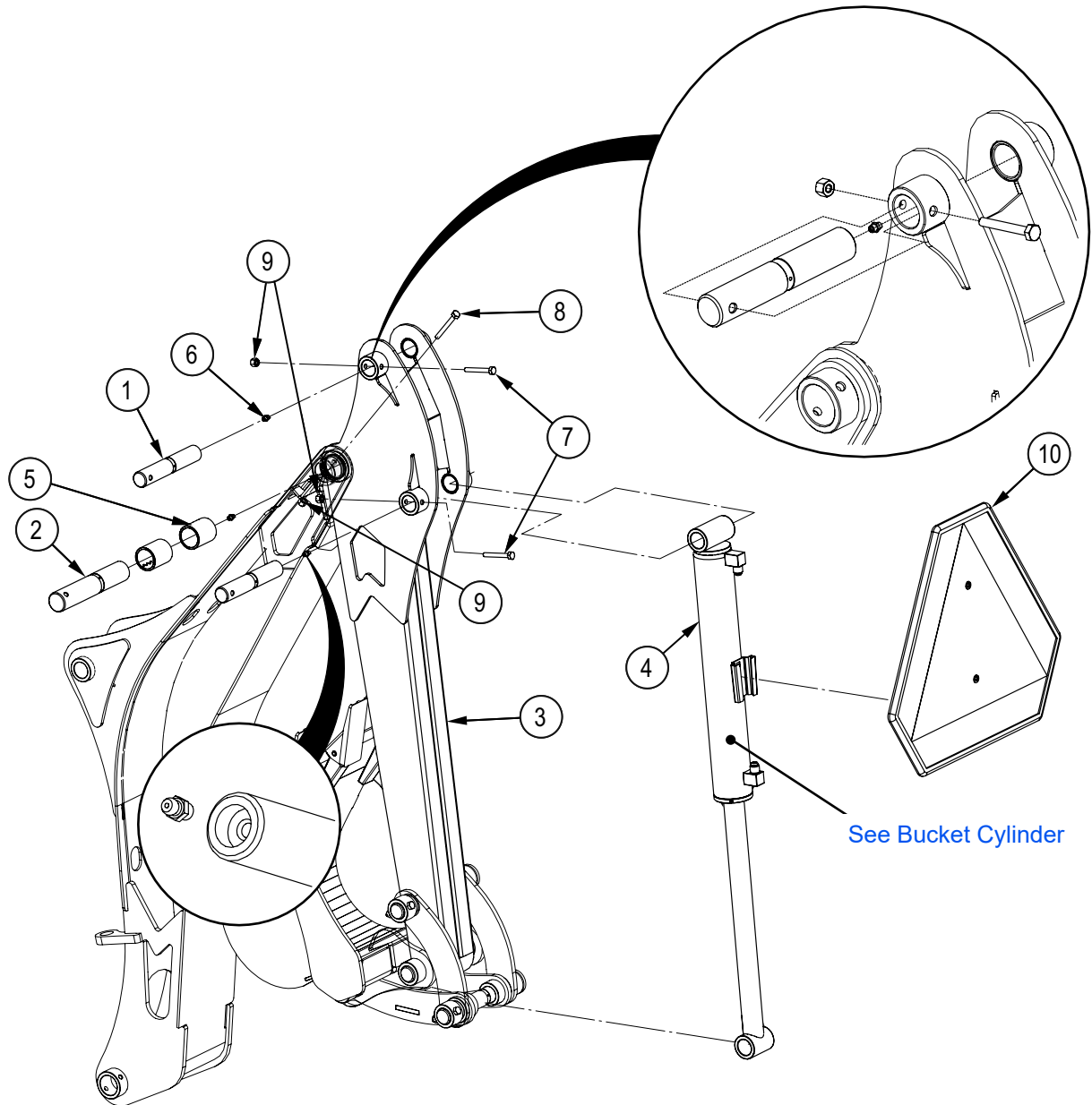


Item No.	Part No.	Description	Qty
1	3011L176	Clamp, Two Hose	1
2	3011M110	Pin, 1" x 5.66 Greasable	1
3	3011M113	Pin, 1-1/4 x 6-5/8 Greasable	1
4	3011M115	Pin, 1" x 6 Double Hole	1
5	3011M120	Pin, 1" x 4-3/4 Greasable	1
6	3011M133	Pin, 1-1/4 x 4-5/16 Greasable	2
7	3015C103	GXL Cylinder, 2-1/4" x 1-1/4" x 13-1/8"	1
8	3015C104	GXL Cylinder, 2-1/2" x 1-1/4" x 13"	1
9	3015F113	Hose Wrap, 28"	1
10	3015W102	Main Boom	1

Item No.	Part No.	Description	Qty
11	3015W103	Swing Tower	1
12	Z11121	Toplink Pin, 3/4" x 2-3/4"	1
13	Z12140	Lynch Pin, 7/16"	1
14	Z27231	Bushing, 1-1/4" ID x 1-3/4" Long x 1/8" Wall	2
15	Z29202	Grease Fitting, 1/4NF	8
16	Z71120	Hex Bolt, 1/4NC x 2"	1
17	Z71122	Hex Bolt, 1/4NC x 2-1/4"	6
18	Z71210	Hex Bolt, 5/16NC x 1"	1
19	Z72211	Hex Lock Nut, 1/4NC	7

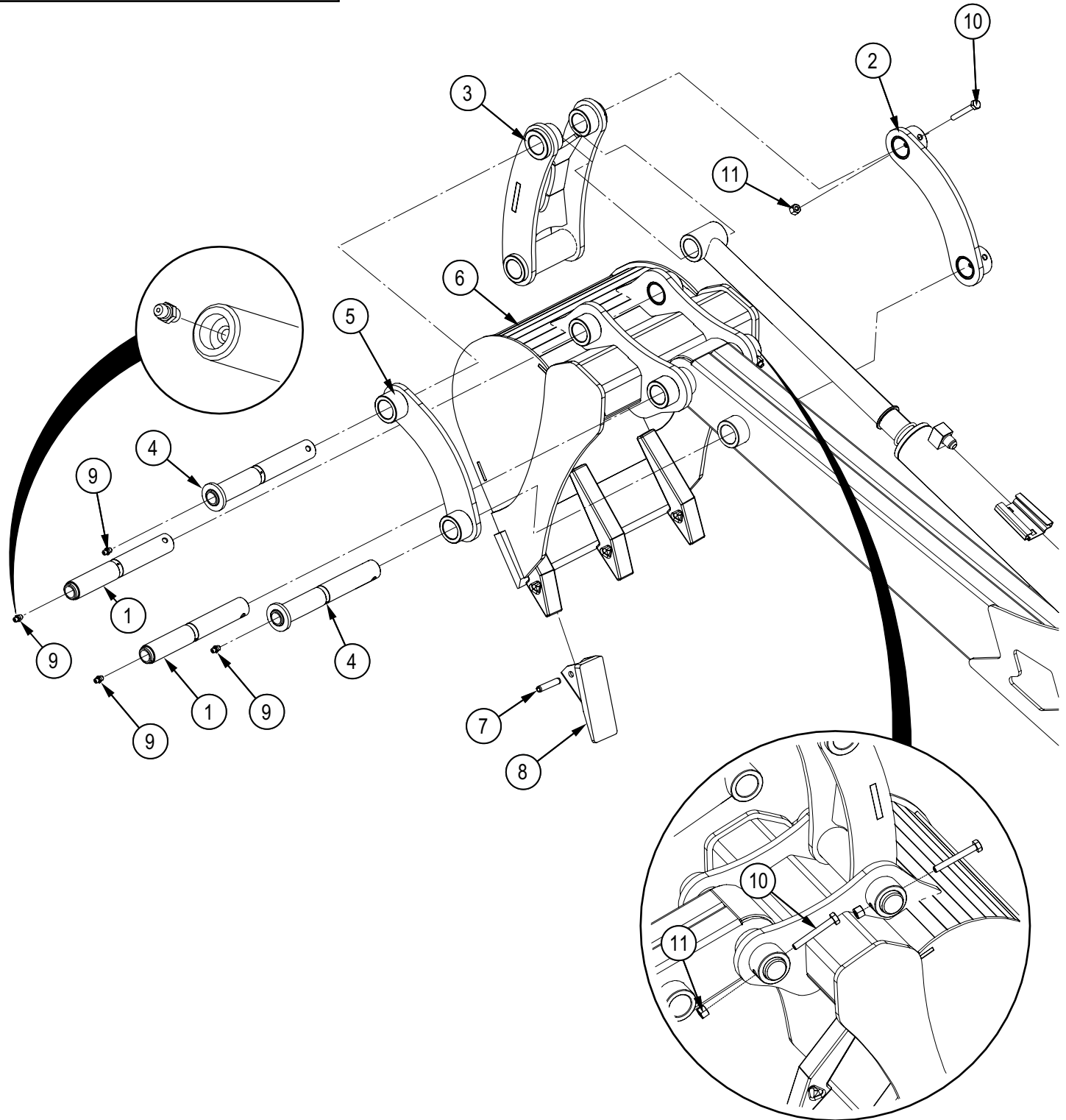


## Dipper Boom Assembly



Item No.	Part No.	Description	Qty
1	3011M110	Pin, 1" x 5.66 Greasable	2
2	3011M113	Pin, 1-1/4 x 6-5/8 Greasable	1
3	3011W101	Dipper Boom	1
4	3015C102	GXL Cylinder, 2" x 1-1/4" x 12-3/4"	1
5	Z27231	Connex Bushing, 1-1/4" ID x 1-3/4" Long x 1/8" Wall	2
6	Z29202	Grease Fitting, 1/4NF	3
7	Z71120	Hex Bolt, 1/4NC x 2"	2
8	Z71122	Hex Bolt, 1/4NC x 2-1/4"	1
9	Z72211	Hex Lock Nut, 1/4NC	3
10	Z96605	SMV Sign With Spade, Assembled	1

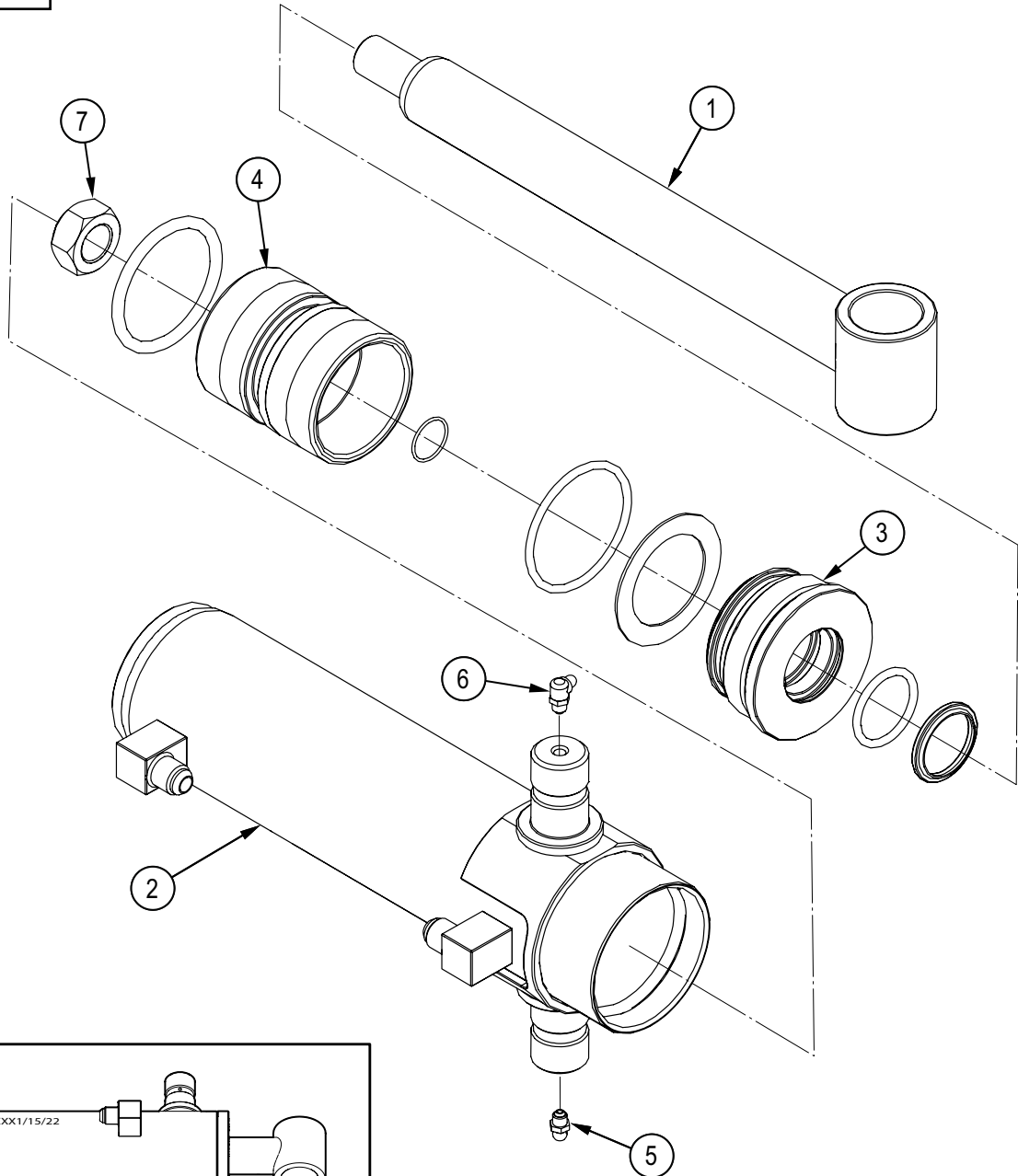
**Bucket & Linkage Assembly**



Item No.	Part No.	Description	Qty
1	3011M109	Pin, 1 x 7.45 Greasable	2
2	3011W102	RH Bucket Linkage	1
3	3011W103	Middle Bucket Linkage	1
4	3011W117	Bucket Pin w/ Washer	2
5	3011W119	LH Bucket Linkage	1
6	3082W011	12" Small Bucket	1

Item No.	Part No.	Description	Qty
7	Z14181	Roll Pin, 5/16" x 1-1/2"	3
8	Z19902	Tooth, Backhoe Pin-on	3
9	Z29202	Grease Fitting, 1/4NF	4
10	Z71120	Hex Bolt, 1/4NC x 2"	4
11	Z72211	Hex Lock Nut, 1/4NC	4

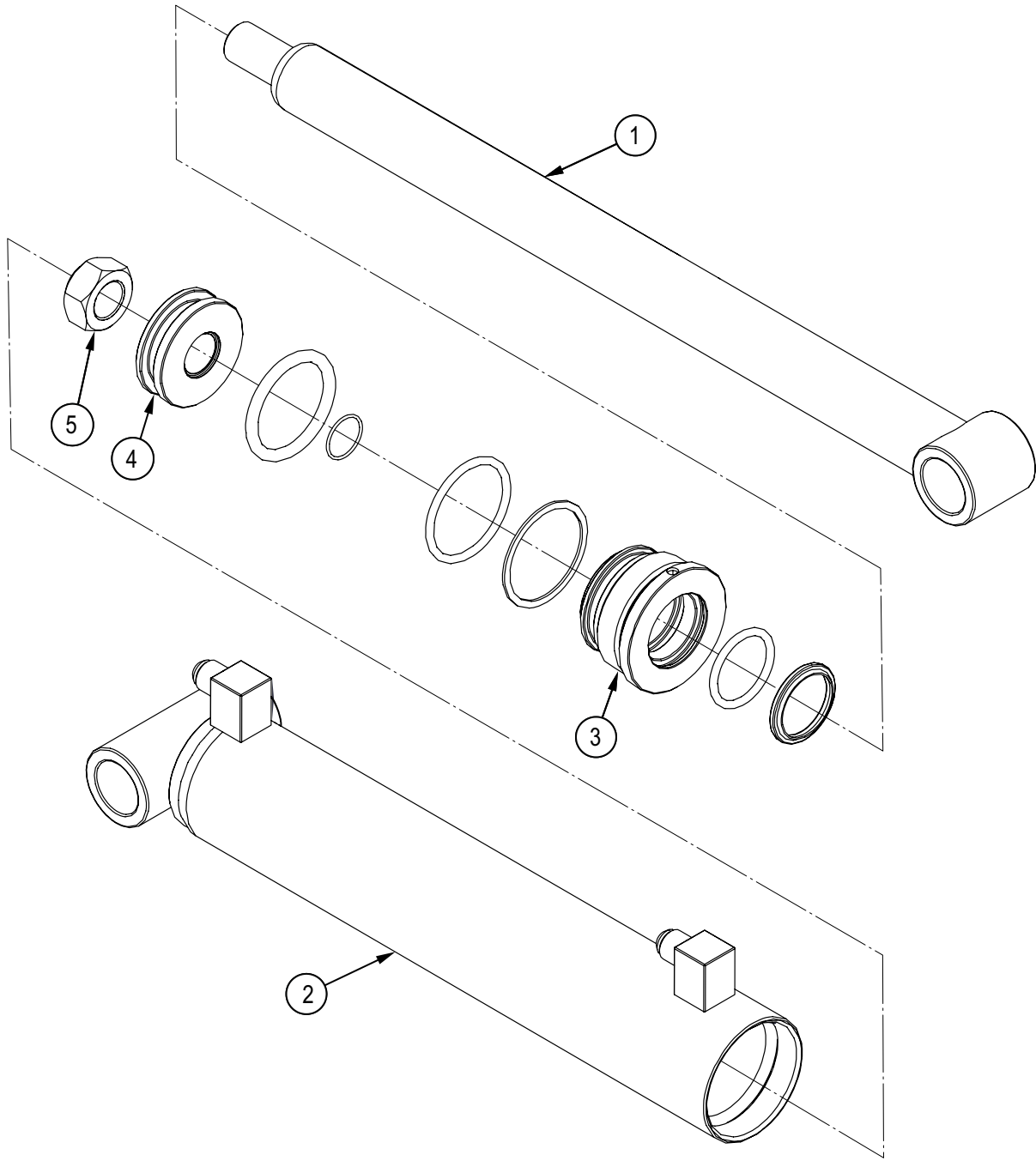
**Swing Cylinder**



Note: For part number 3015C105, the seals can only be replaced in cylinders manufactured in 2022 and later. See the date code that is engraved between the two ports on the cylinder (for example, 3015CXXX1/15/22). If the year is 2022 or later, order seal kit SLK-2512. If the year is before 2022, order the cylinder 3015C105.

Item No.	Part No.	Description	Qty
1	3015C1053	Rod, 1-1/4" x 3/4NF	1
2	3015C1054	Barrel, 2-1/2"	1
3	G250-125GXL	Gland, 2-1/2" x 1-1/4" GXL	1
4	P750-250GXLDPC	Piston GXL, 2-1/2" Bore x Double Cushion	1
5	Z29202	Grease Fitting, 1/4NF	1
6	Z29203	Elbow 90 Grease Fitting, 1/4NF	1
7	Z72276	Hex Top-lock Nut, 3/4NF	1

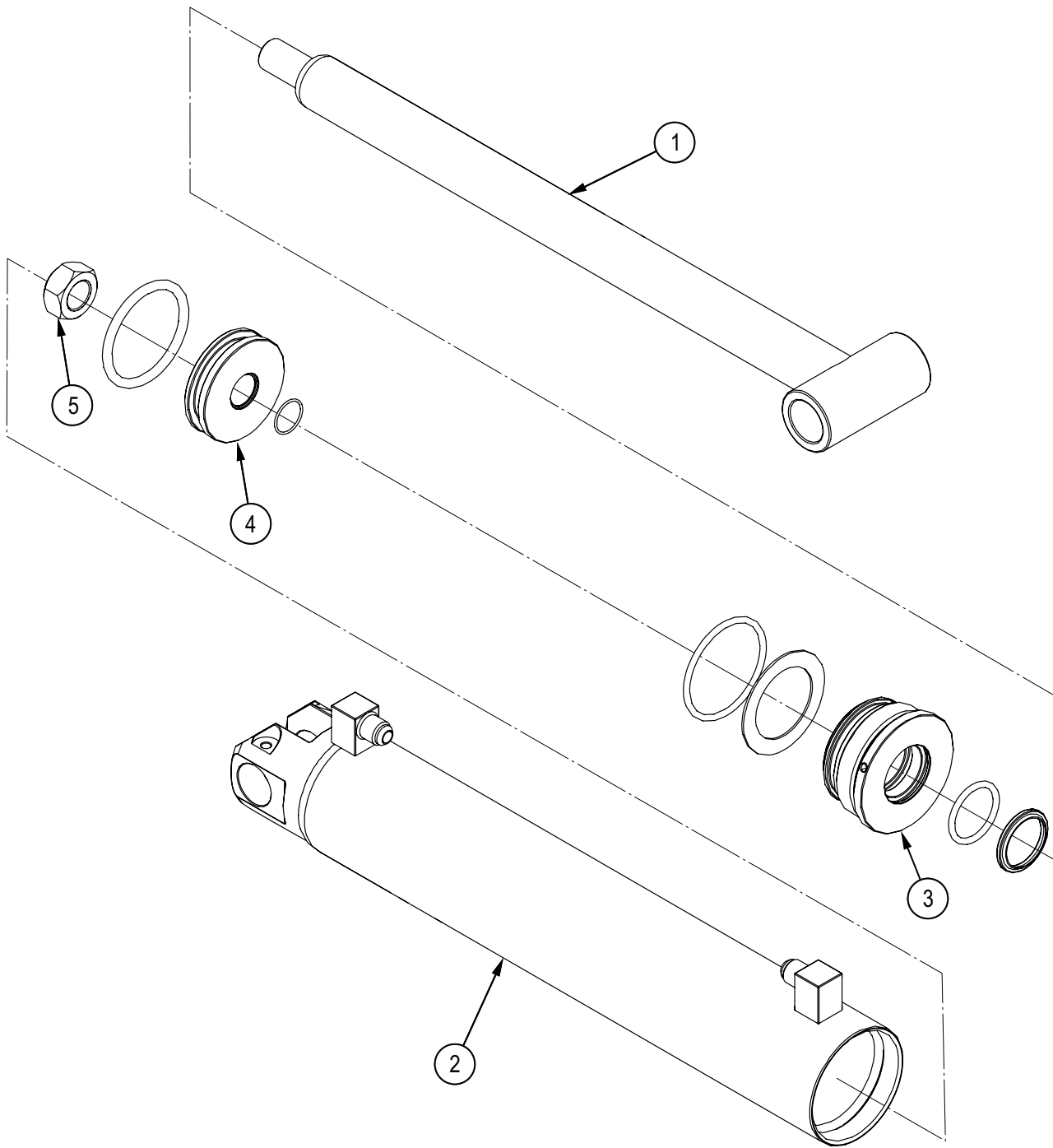
**Stabilizer Cylinder**



Seal Kit SLK-2012GXL

Item No.	Part No.	Description	Qty
1	3015C1013	Rod, 1-1/4" x 3/4NF	1
2	3015C1014	Barrel, 2"	1
3	G200-125GXL	Gland, 2" x 1-1/4" GXL	1
4	P750-200GXL	Piston GXL, 2" Bore	1
5	Z72276	Hex Top-lock Nut, 3/4NF	1

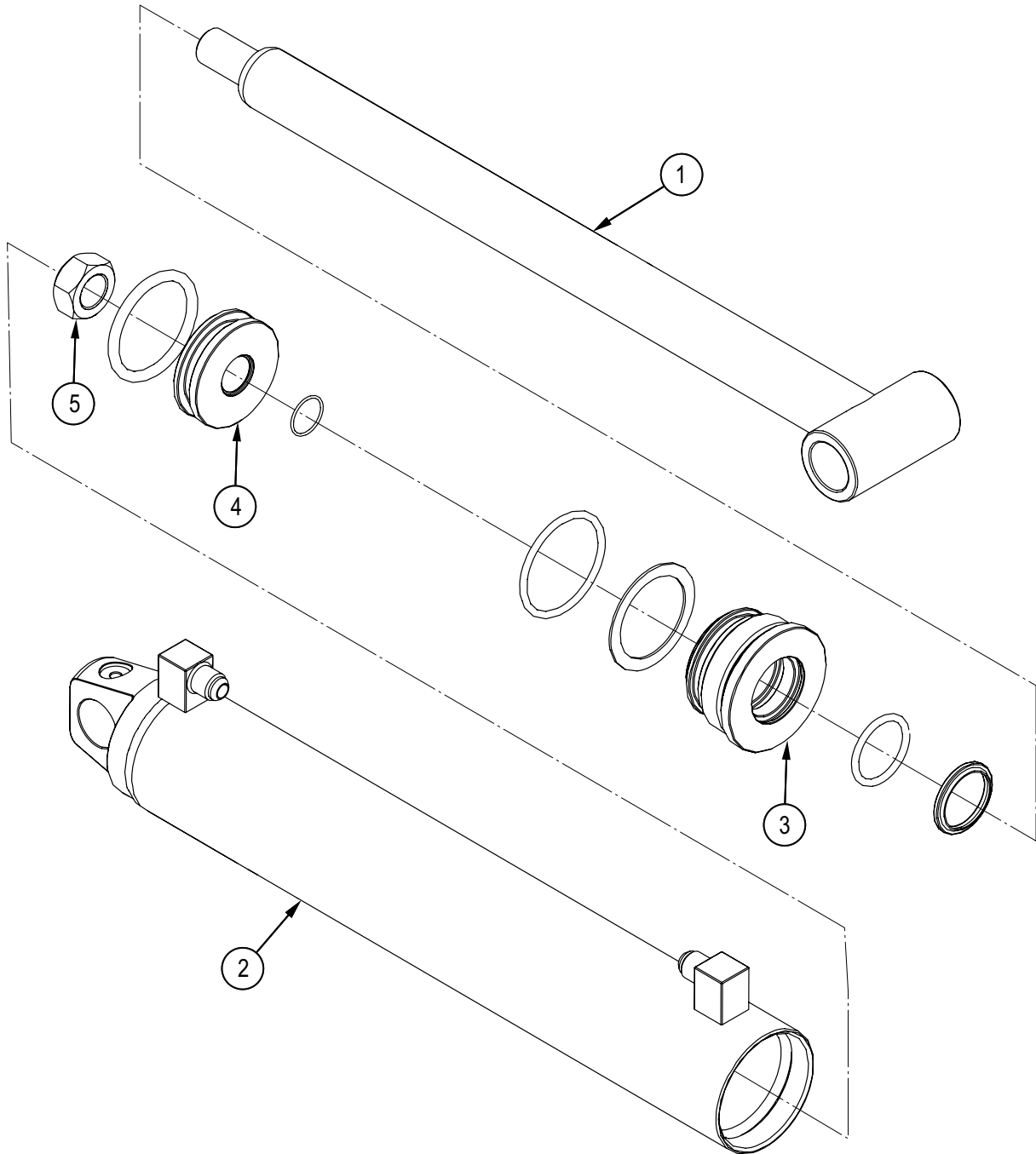
**Main Boom Cylinder**



Seal Kit SLK-2512GXL

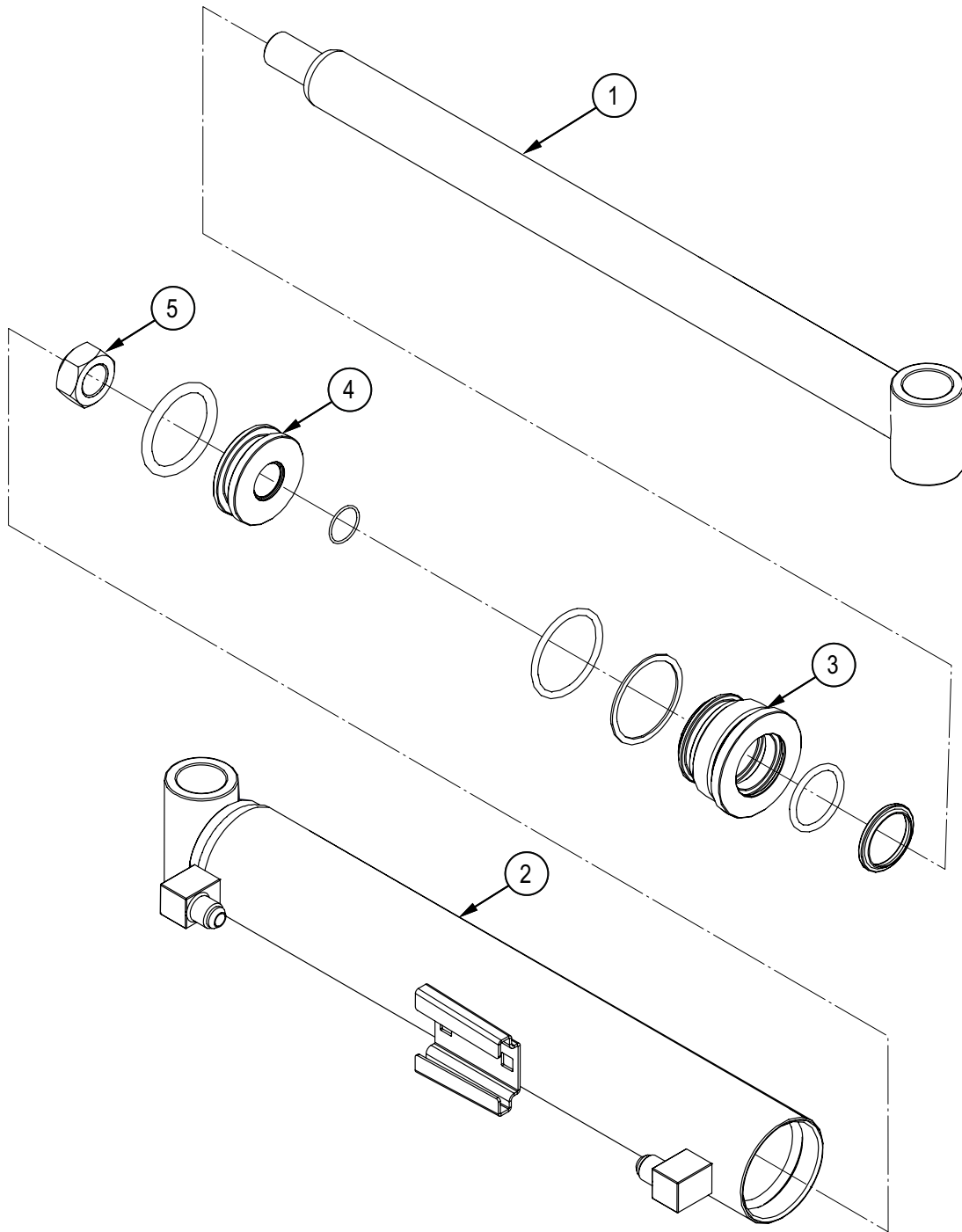
Item No.	Part No.	Description	Qty
1	3015C1043	Rod, 1-1/4" x 3/4NF	1
2	3015C1044	Barrel, 2-1/2"	1
3	G250-125GXL	Gland, 2-1/2" x 1-1/4" GXL	1
4	P750-250GXL	Piston GXL, 2-1/2" Bore	1
5	Z72276	Hex Top-lock Nut, 3/4NF	1

## Dipper Boom Cylinder



Item No.	Part No.	Description	Qty
1	3015C1033	Rod, 1-1/4" x 3/4NF	1
2	3015C1034	Barrel, 2-1/4"	1
3	G225-125GXL	Gland, 2-1/4" x 1-1/4" GXL	1
4	P750-225GXL	Piston GXL, 2-1/4" Bore	1
5	Z72276	Hex Top-lock Nut, 3/4NF	1

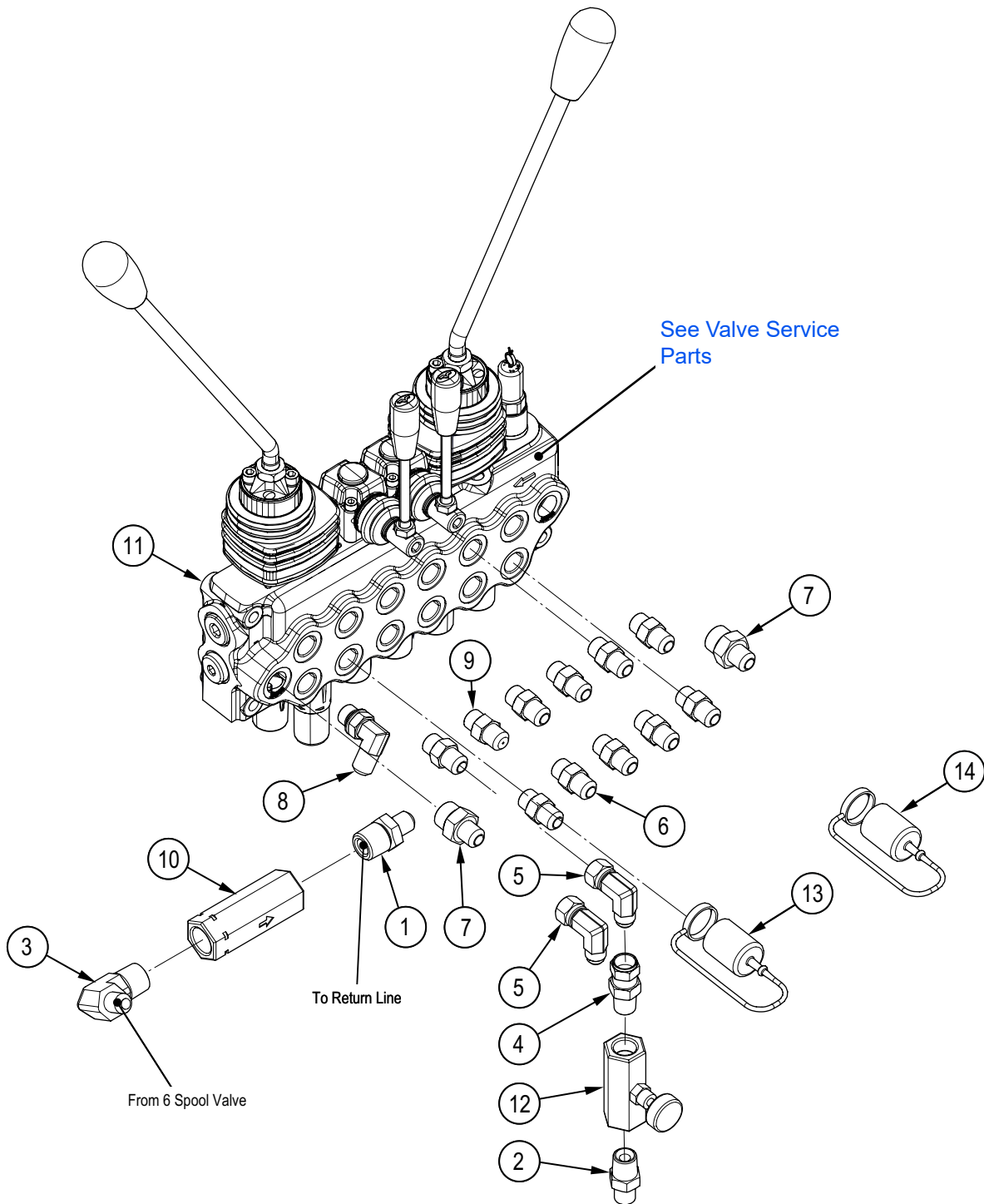
**Bucket Cylinder**



Seal Kit SLK-2012GXL

Item No.	Part No.	Description	Qty
1	3015C1023	Rod, 1-1/4" x 3/4NF	1
2	3015C1024	Barrel, 2"	1
3	G200-125GXL	Gland, 2" x 1-1/4" GXL	1
4	P750-200GXL	Piston GXL, 2" Bore	1
5	Z72276	Hex Top-lock Nut, 3/4NF	1

**Hydraulic Valve Assembly**

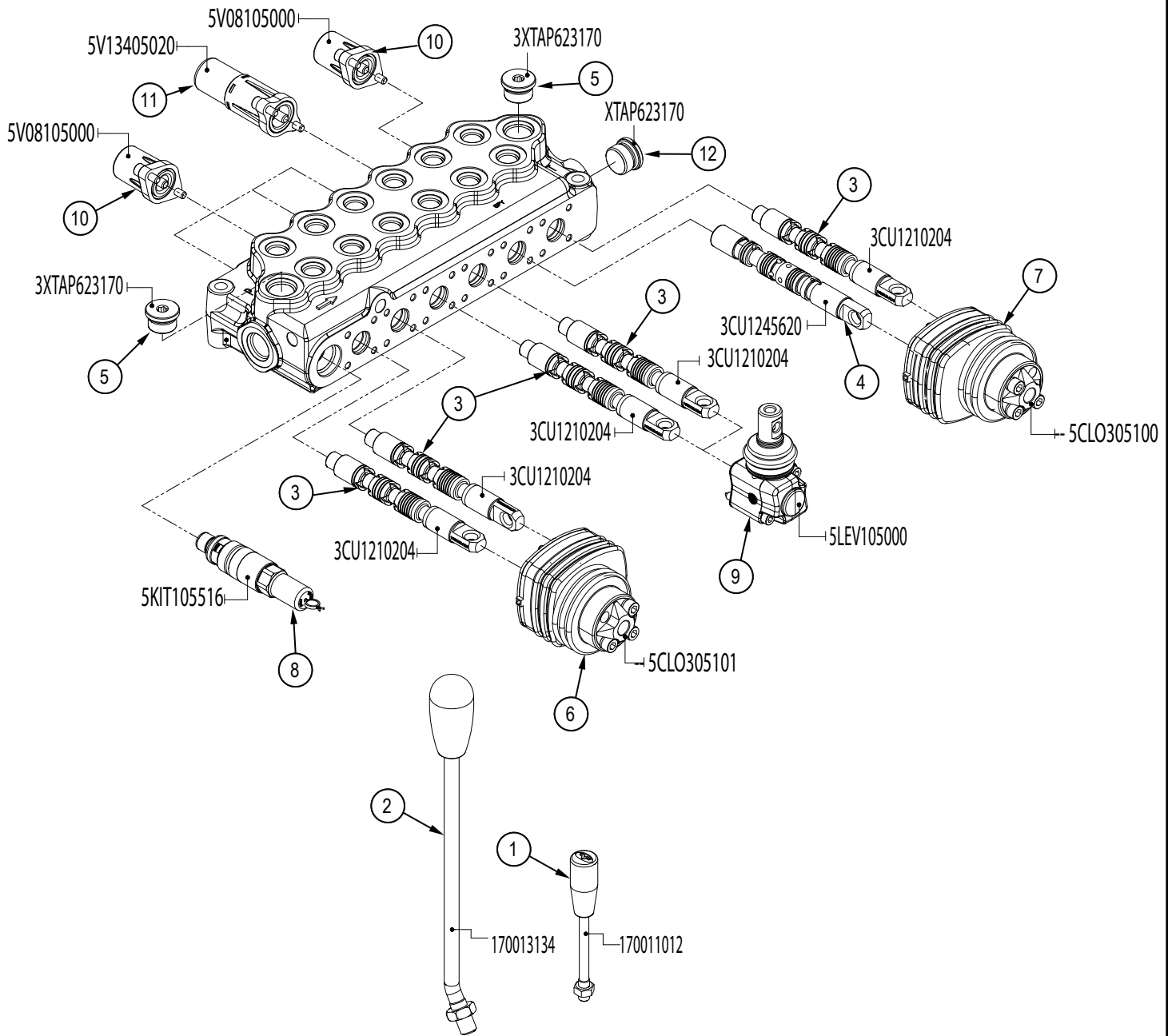


Item No.	Part No.	Description	Qty
1	Z51441	Straight, MJIC x MP 0608	1
2	Z51443	Straight, MJIC x MP 0606	1
3	Z51456	Elbow 90, MJIC x MP 0608	1
4	Z51511	Straight, MP x FJICX 0606	1
5	Z51563	Elbow 90, MJIC x FJICX 0606	2
6	Z51641	Straight, MJIC x MORB 0606	10
7	Z51644	Straight, MJIC x MORB 0608	2

Item No.	Part No.	Description	Qty
8	Z51651	Elbow 90, MJIC x MORB 0606	1
9	Z51929	Straight, MJIC x MORB 0606 x 0.047" Orifice	1
10	Z56102	Check Valve, FP08 x 0PSI	1
11	Z56222	Six Spool Valve, VC x 12GPM	1
12	Z56301	Flow Control, Needle x 0-9GPM	1
13	Z52831	Nipple Cap, ISO 7241-1 x Red	1
14	Z52832	Nipple Cap, ISO 7241-1 x Black	1

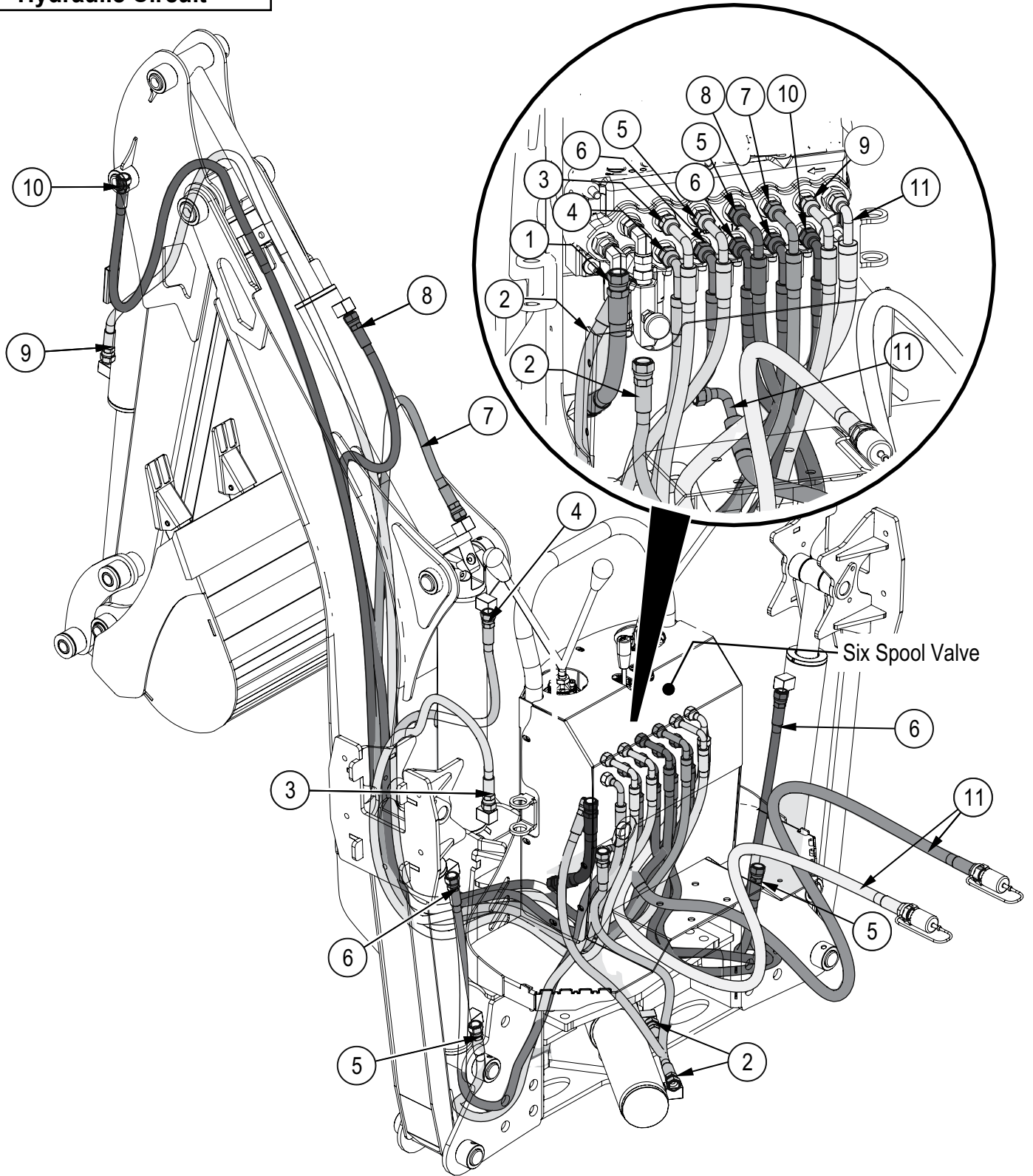


**Valve Service Parts**



Item No.	Part No.	Description	Qty	Item No.	Part No.	Description	Qty
1	170011012	AL 01/M8X120 Handlelever	2	7	5CLO305101	LCN2-3/SD5-SDM110 Cloche Kit (RH)	1
2	170013134	08/M12X340 Handlelever 30"	2	8	5KIT105516	VMD5/1(JNH3) Valve Kit	1
3	3CU1210204	1CS[S]/SD5 Spool	5	9	5LEV105000S	LSG/S5 Lever Box	2
4	3CU1245620	5PY/SD5 Spool	1	10	5V08105000	Spring Center Kit	5
5	3Xtap822150	TCEI SAE8 Plug	2	11	5V13405020	Float Kit	1
6	5CLO305100	LCN1-4/S5 Cloche Kit (LH)	1	12	XTAP623170	AET/SD5 Plug	1

Hydraulic Circuit

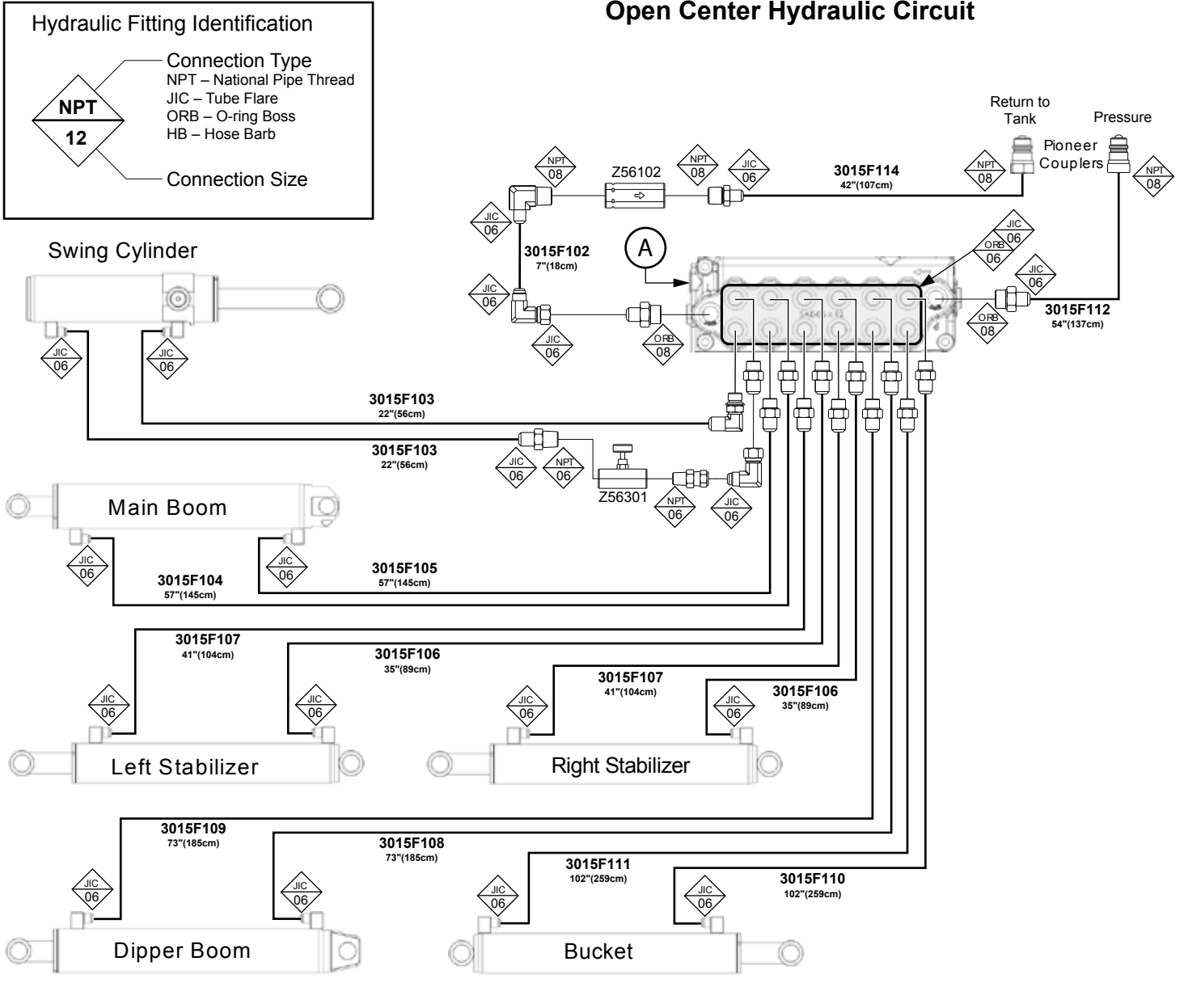


Item No.	Part No.	Description	Qty
1	3015F102	3/8" Hose, FJIC06 x FJIC06 x 7"	1
2	3015F103	1/4" Hose, FJIC06 x FJIC06 x 22"	2
3	3015F104	1/4" Hose, FJIC06 x Long 90 FJIC06 x 57"	1
4	3015F105	1/4" Hose, FJIC06 x 90 FJIC06 x 57"	1
5	3015F106	1/4" Hose, FJIC06 x Long 90 FJIC06 x 35"	2
6	3015F107	1/4" Hose, FJIC06 x 90 FJIC06 x 41"	2

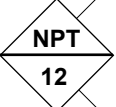
Item No.	Part No.	Description	Qty
7	3015F108	1/4" Hose, FJIC06 x Long 90 FJIC06 x 73"	1
8	3015F109	1/4" Hose, FJIC06 x 90 FJIC06 x 73"	1
9	3015F110	1/4" Hose, FJIC06 x Long 90 FJIC06 x 102"	1
10	3015F111	1/4" Hose, FJIC06 x 90 FJIC06 x 102"	1
11	3015F112	3/8" Hose, 90FJIC06 x MP08 x 48"	2

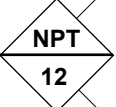
**Hydraulic Plumbing Diagram**

**Open Center Hydraulic Circuit**

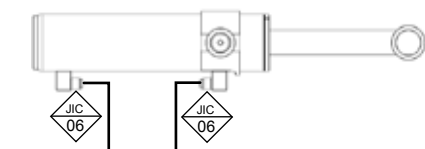


**Hydraulic Fitting Identification**

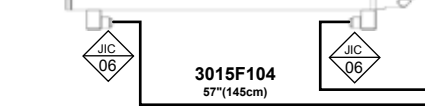

**Connection Type**  
 NPT – National Pipe Thread  
 JIC – Tube Flare  
 ORB – O-ring Boss  
 HB – Hose Barb


**Connection Size**

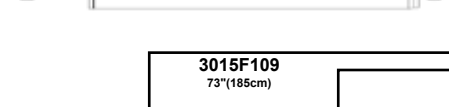
**Swing Cylinder**



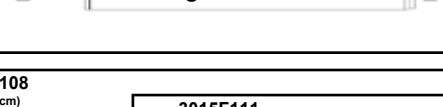
**Main Boom**



**Left Stabilizer**



**Right Stabilizer**



**Dipper Boom**



**Bucket**



**Closed Center Hydraulic Circuits —**

To connect this back hoe to a closed-center circuit, plug P/N Z56916 will be required.

Remove the end plug at Position A in the control valve and install Z56916 in its place. See illustration.

<b>Accessories</b>
--------------------

BK2609 – 9" Bucket
--------------------

- |  |
|--|
| <ul style="list-style-type: none"> <li>• 3 teeth</li> <li>• Bucket Volume: 0.5 ft<sup>3</sup></li> </ul> |
|--|

BK2612 – 12" Bucket
---------------------

- |  |
|--|
| <ul style="list-style-type: none"> <li>• 3 teeth</li> <li>• Bucket Volume: 0.7 ft<sup>3</sup></li> </ul> |
|--|

BK2615 – 15" Bucket
---------------------

- |  |
|--|
| <ul style="list-style-type: none"> <li>• 4 teeth</li> <li>• Bucket Volume: 0.9 ft<sup>3</sup></li> </ul> |
|--|

BK2618 – 18" Bucket
---------------------

- |  |
|--|
| <ul style="list-style-type: none"> <li>• 4 teeth</li> <li>• Bucket Volume: 1 ft<sup>3</sup></li> </ul> |
|--|

BT5280 – Clamp-on mechanical thumb
------------------------------------

<p>The mechanical thumb allows better control of material that is difficult to scoop or pick up.</p>
--

PTO605 – PTO Hydraulic Pump Kit 5 gpm
---------------------------------------

<p>The PTO pump kit provides hydraulic power to the back hoe for tractors without available auxiliary power.</p>
--

BT7251 – Operator's Seat for GE605
------------------------------------

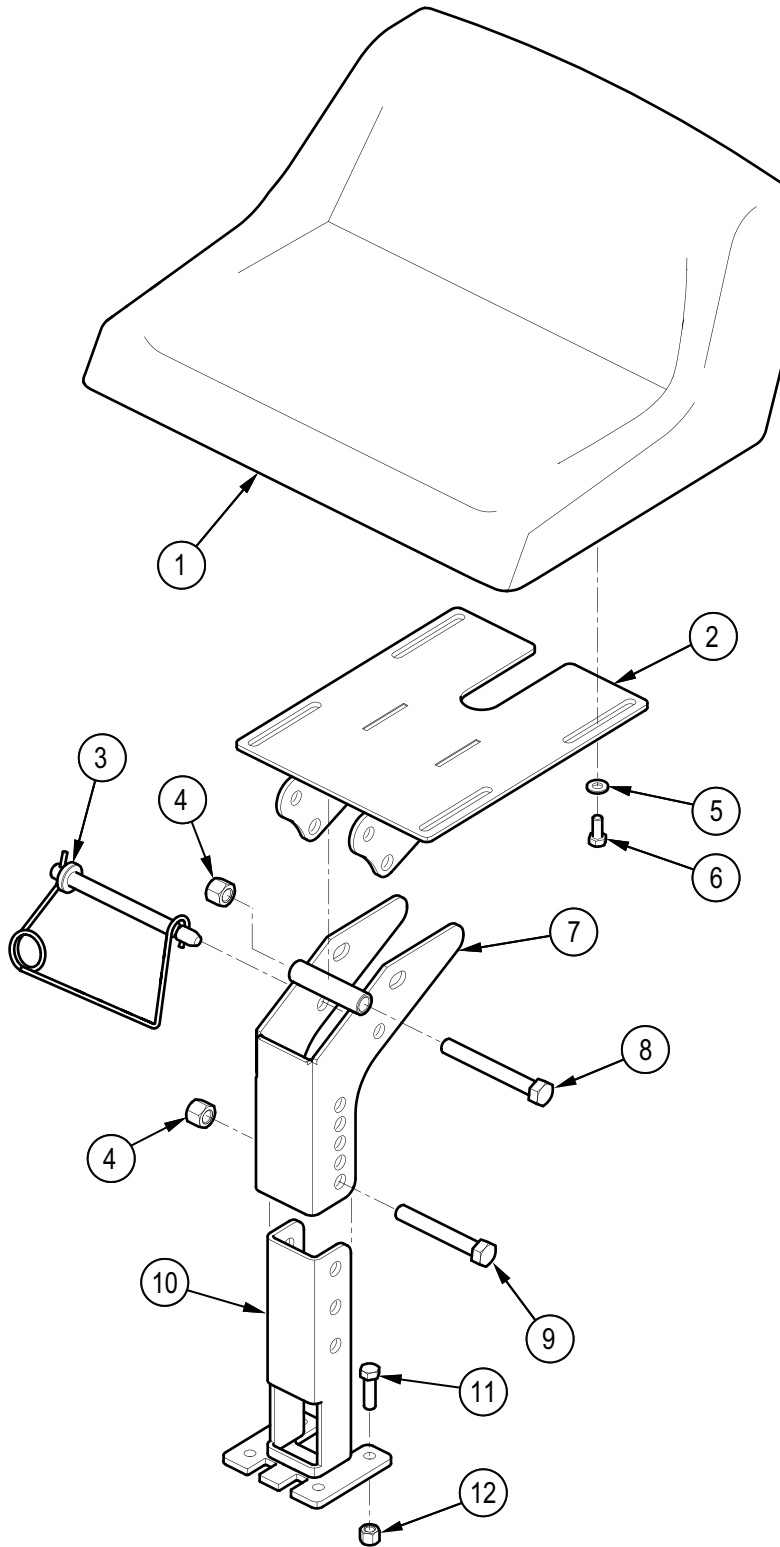
See next page

<p>For tractors without swivel a seat.</p>
--

BP220 – Street Pad Kit
------------------------

<p>Pads placed on stabilizer cleats to protect pavement or cement.</p>
--

**BT7251 Seat Assembly Accessory**

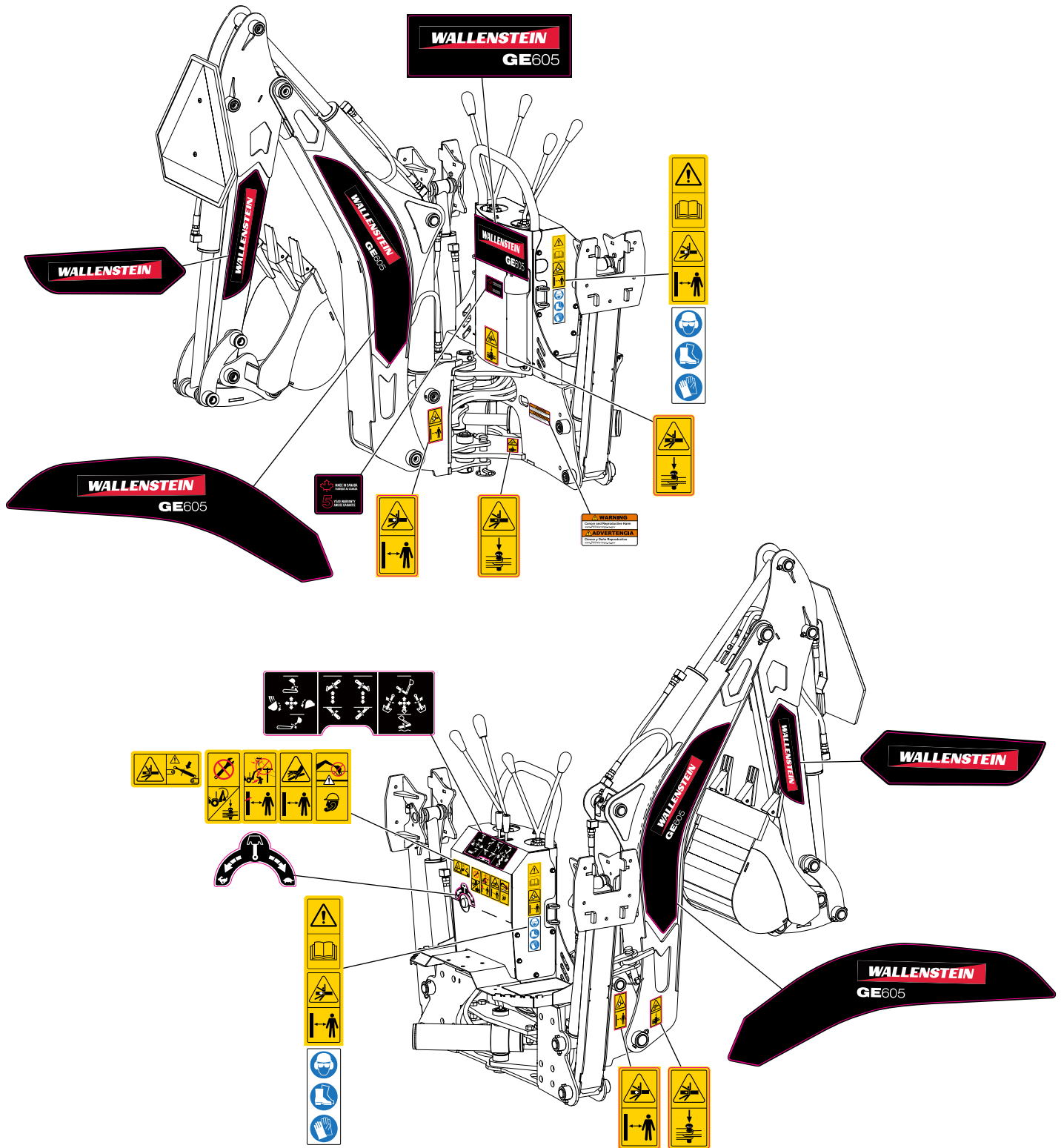


Item No.	Part No.	Description	Qty	Item No.	Part No.	Description	Qty
1	Z19202	Low-Back Seat	1	7	3015W108	Channel, Top Seat Mount	1
2	3015W109	6' Capacity Backhoe Attachment	1	8	Z71540	Hex Bolt, 1/2NC x 4"	1
3	Z12441	Snap Lock Pin, 1/2" x 4-1/2"	1	9	Z71535	Hex Bolt, 1/2NC x 3-1/2"	1
4	Z72251	Hex Lock Nut, 1/2NC	1	10	3015W113	Bottom Seat Mount	1
5	Z73122	SAE Washer, 5/16"	1	11	Z71312	Hex Bolt, 3/8NC x 1-1/4"	1
6	Z71207	Hex Bolt, 5/16NC x 3/4"	1	12	Z72231	Hex Lock Nut, 3/8NC	1

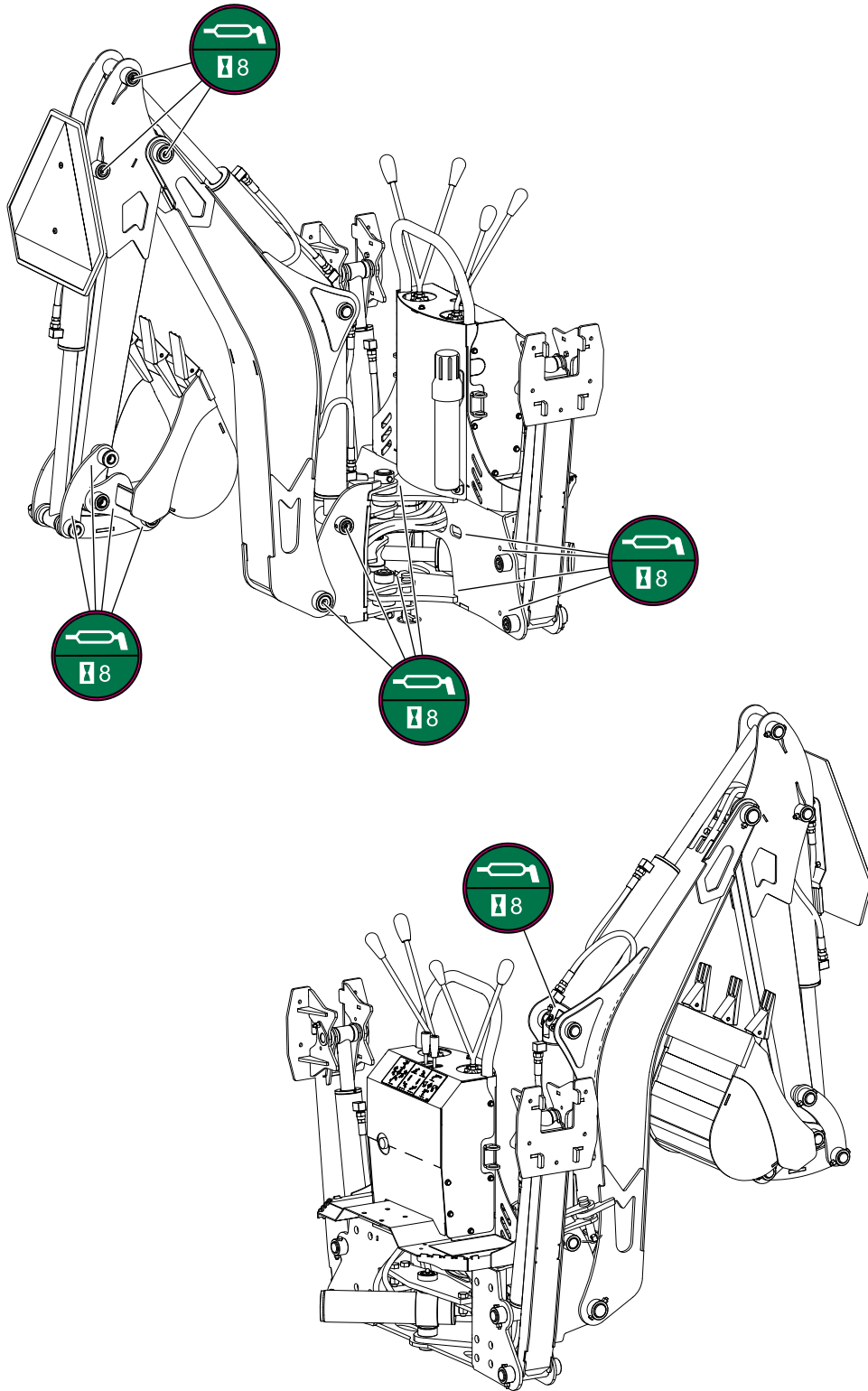
### Decal Layout

**IMPORTANT!** If parts are replaced that have safety signs on them, new signs must be applied. Safety signs must always be replaced if they become damaged, are removed, or become illegible.

Safety signs are included in the product decal kit available from your authorized dealer. Decals are not available separately.



Decal Layout




## Common Bolt Torque Values

### Checking Bolt Torque

The tables shown give correct torque values for various bolts and capscrews. Tighten all bolts to the torque values specified in the table, unless indicated otherwise. Check tightness of bolts periodically.

**IMPORTANT!** If replacing hardware, use fasteners of the same grade.

**IMPORTANT!** Torque figures indicated in the table are for non-greased or non-oiled threads. Do not grease or oil threads unless indicated otherwise. When using a thread locker, increase torque values by 5%.

 **NOTE:** Bolt grades are identified by their head markings.

### Imperial Bolt Torque Specifications

Bolt Diameter	Torque Value					
	SAE Gr. 2		SAE Gr. 5		SAE Gr. 8	
	lbf•ft	N•m	lbf•ft	N•m	lbf•ft	N•m
1/4"	6	8	9	12	12	17
5/16"	10	13	19	25	27	36
3/8"	20	27	33	45	45	63
7/16"	30	41	53	72	75	100
1/2"	45	61	80	110	115	155
9/16"	60	95	115	155	165	220
5/8"	95	128	160	215	220	305
3/4"	165	225	290	390	400	540
7/8"	170	230	420	570	650	880
1"	225	345	630	850	970	1320



SAE Gr. 2



SAE Gr. 5



SAE Gr. 8

### Metric Bolt Torque Specifications

Bolt Diameter	Torque Value			
	Gr. 8.8		Gr. 10.9	
	lbf•ft	N•m	lbf•ft	N•m
M3	0.4	0.5	1.3	1.8
M4	2.2	3	3.3	4.5
M6	7	10	11	15
M8	18	25	26	35
M10	37	50	52	70
M12	66	90	92	125
M14	83	112	116	158
M16	166	225	229	310
M20	321	435	450	610
M30	1,103	1 495	1,550	2 100



8.8



10.9



## Hydraulic Fitting Torque Values

### Tightening Flare Type Tube Fittings

1. Check flare and flare seat for defects that might cause leakage.
2. Align tube with fitting before tightening.
3. Hand-tighten swivel nut until snug.
4. To prevent twisting the tube, use two wrenches. Place one wrench on the connector body and tighten the swivel nut with the second. Torque to values shown.

If a torque wrench is not available, use the FFFT (Flats From Finger Tight) method.

Hydraulic Fitting Torque					
Tube Size OD	Hex Size Across Flats	Torque value		Flats From Finger Tight	
		lbf•ft	N•m	Flats	Turns
3/16	7/16	6	8	2	1/6
1/4	9/16	11–12	15–17	2	1/6
5/16	5/8	14–16	19–22	2	1/6
3/8	11/16	20–22	27–30	1-1/4	1/6
1/2	7/8	44–48	59–65	1	1/6
5/8	1	50–58	68–79	1	1/6
3/4	1-1/4	79–88	107–119	1	1/8
1	1-5/8	117–125	158–170	1	1/8

Values shown are for non-lubricated connections.