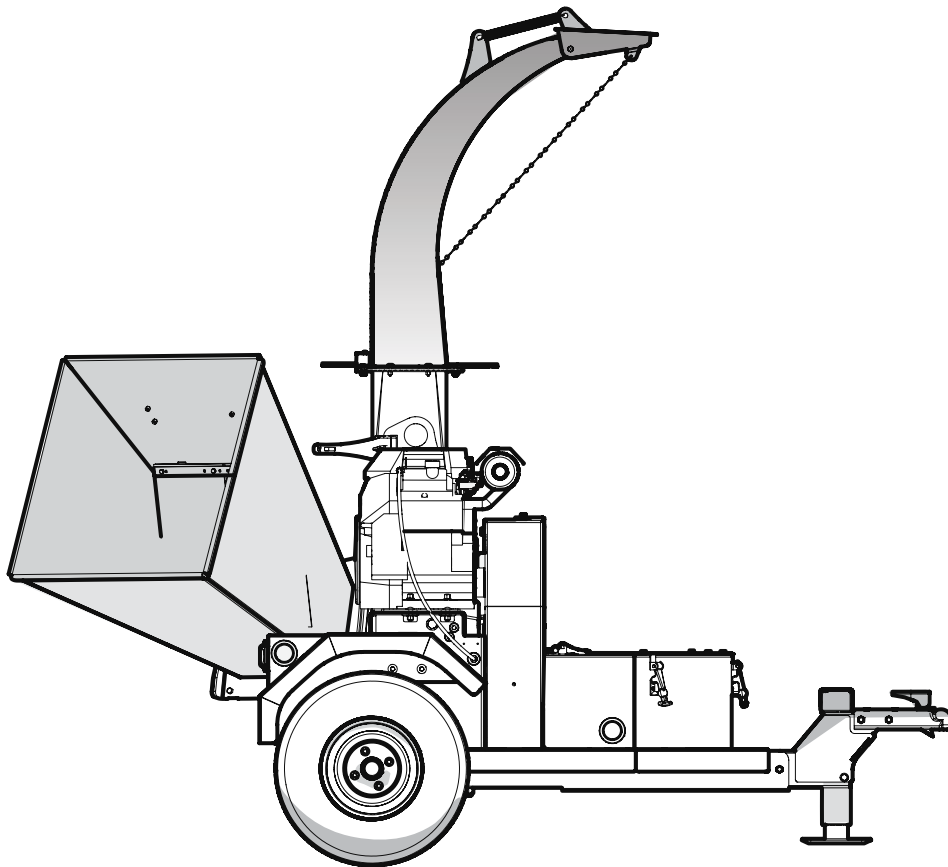


PARTS MANUAL

Serial Number 2E9US1117FS050202 & up

BXT6224 **Trailer Wood Chipper**



Foreword

This Wallenstein parts manual is prepared to assist customers in ordering quality OEM replacement parts.

Regular maintenance combined with replacing old, worn or broken parts with the correct OEM parts is essential in prolonging the life of your Wallenstein product. Refer to this manual to identify replacement parts.

To order parts, contact your Wallenstein dealer or distributor. Have the product model and serial number handy.

If your dealer is no longer available, please go to our website: <http://wallensteinequipment.com> and click on the [Dealer Locator](#) to find the nearest dealer.

All information contained in this parts manual is current as per the revision date at the bottom of the page. Wallenstein reserves the right to change product specifications at any time without notice.

If your product specifications differ from those contained in this manual, contact Wallenstein for current information.

Reproduction of information in this parts manual is prohibited without prior written permission from Wallenstein Equipment Inc.

Wallenstein Equipment Inc. • © 2021

WARNING!

Refer to the operators manual for safe operation and maintenance.

Maintenance should be performed by trained personnel only.

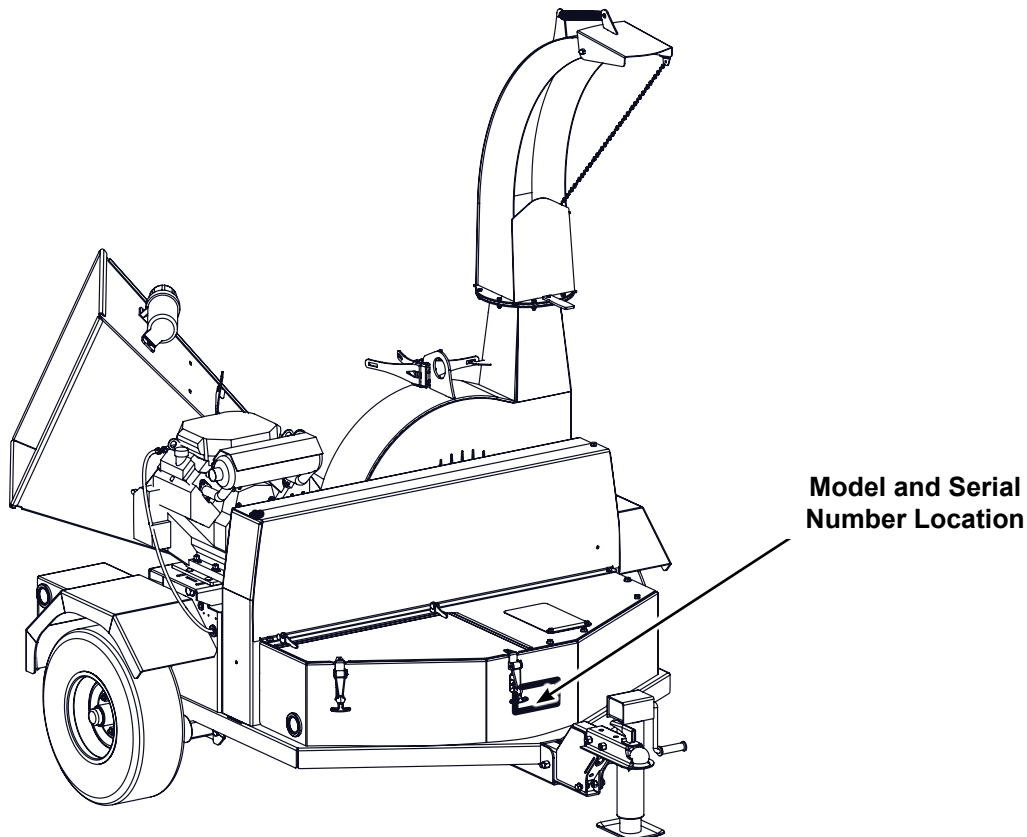
Serial Number Location

Always provide the model and serial number of your Wallenstein product when ordering parts or requesting service or other information. This information is found on the product information plate as shown below.

Record your product information here for future reference.

Model _____

Serial Number _____

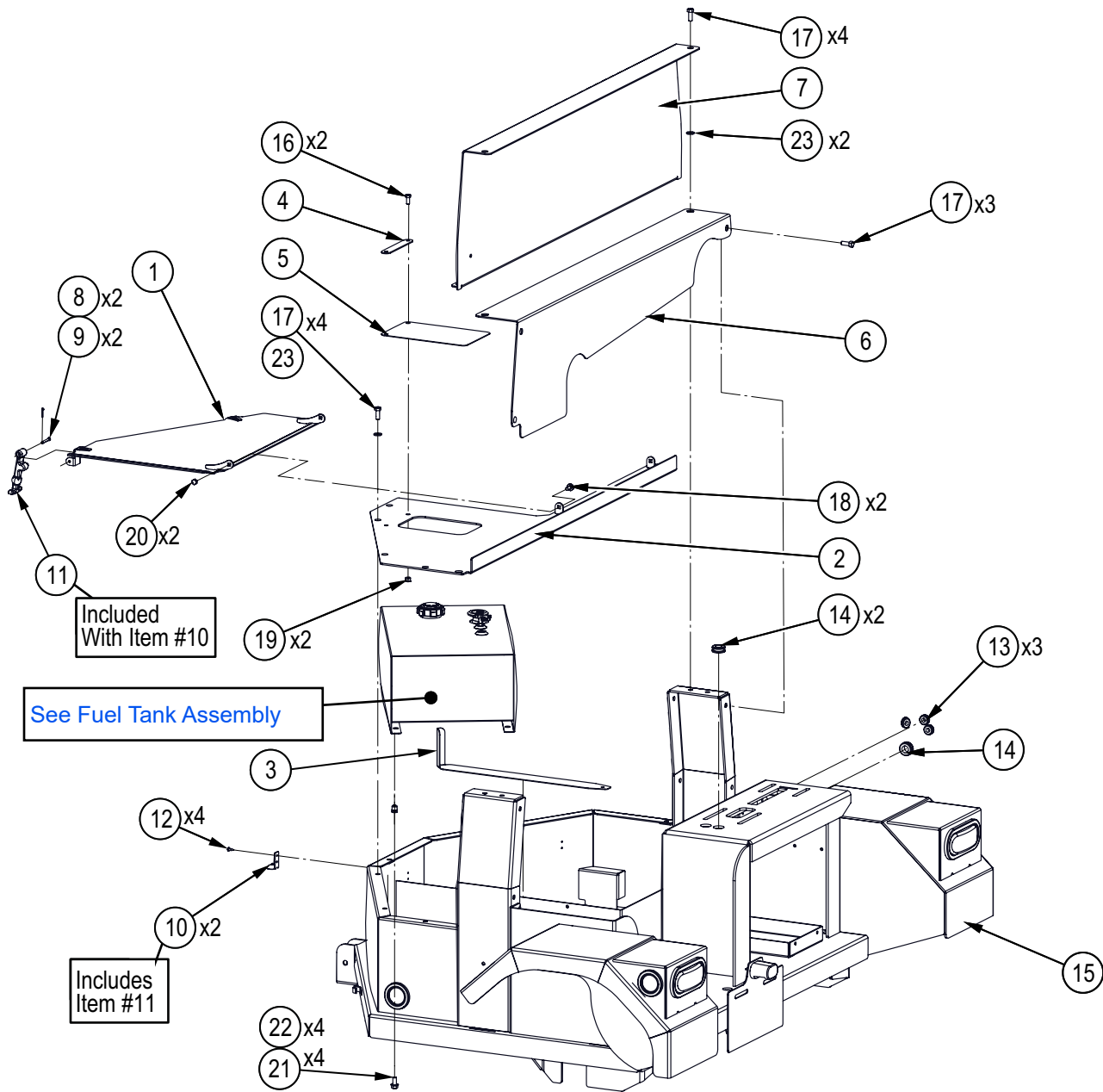


www.wallensteinequipment.com

Contents

Main Frame and Guards	4
Blower Assembly	5
Discharge Chute Assembly.....	6
Wheels and Axle.....	7
Engine and Driveline	8
Fuel Tank Assembly.....	9
Rotor	10
Self-Feed Hopper	11
Hitch Assembly	12
Idler Hub	13
Battery and Harness	14
Decal Layout.....	15
Decal Layout.....	16
Common Bolt Torque Values	18
Wheel Lug Torque Values.....	19

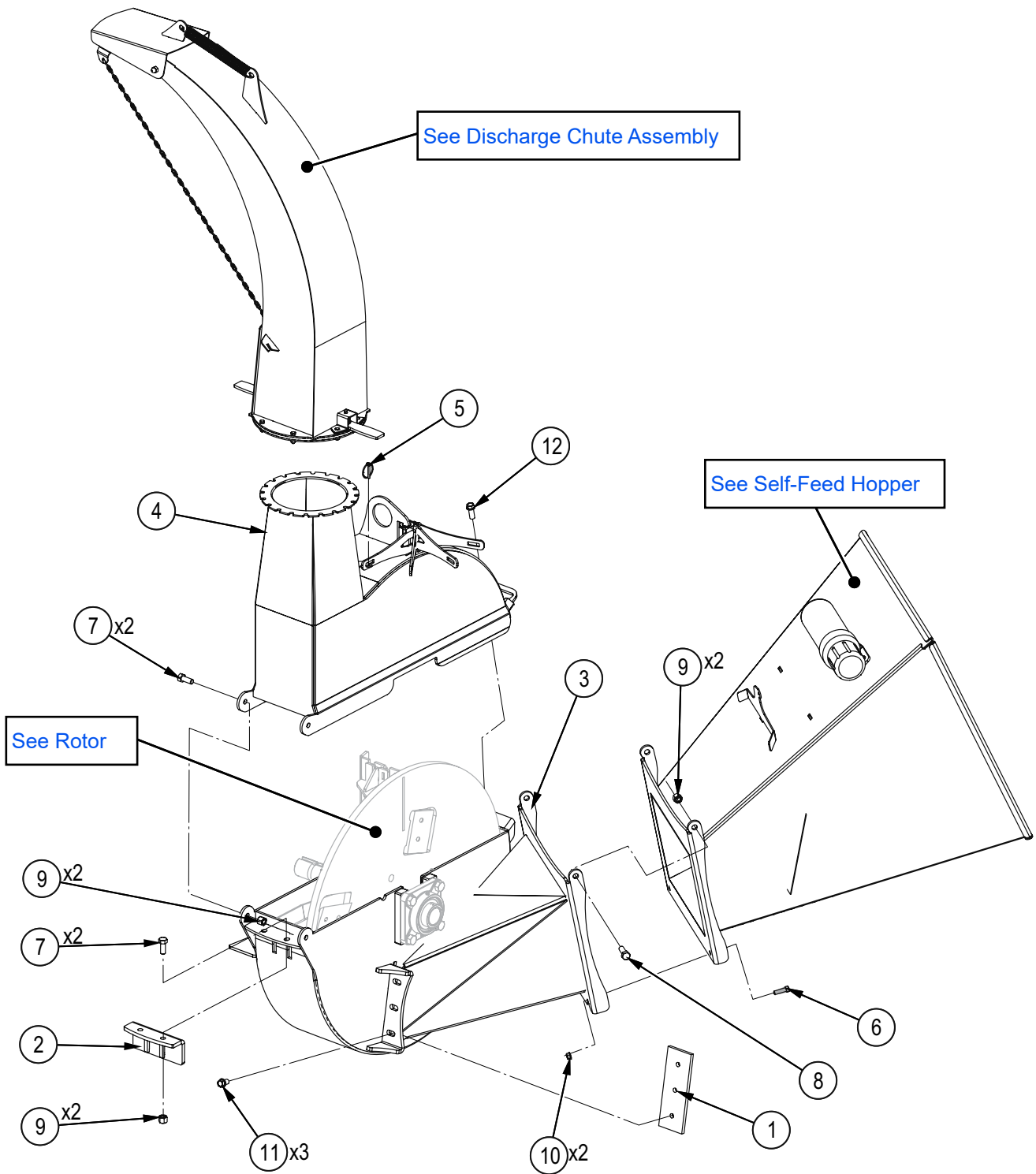
Main Frame and Guards



Item	Part No.	Description	Qty
1	1053W305	Tank Cover	1
2	1053W307	Bay Cover	1
3	1012L269	Gauge, Ledger Setting	1
4	1052L124	Gas Flap Strap	1
5	1052S103	Flap, Fuel Tank	1
6	1053L322	Rear Belt Guard	1
7	1053L325	Front Guard	1
8	Z11300	Clevis Pin 3/16 x 1-3/8	2
9	Z12300	Cotter Pin 3/32 X 3/4	2
10	Z18201	Hood Fastener, Top Bracket	2
11		Hood Fastener, Latch Strap	2
12	Z76711	Self-tapping Screw, #10 x 1/2"	4

Item	Part No.	Description	Qty
13	Z62808	Rubber Grommet, 7/16" x 1/4"	2
14	Z62822	Rubber Grommet, 3/4" x 1/4"	3
15	1053W303	Main Frame	1
16	Z71207	Hex Bolt, 5/16NC x 3/4"	2
17	Z71310	Hex Bolt, 3/8NC x 1"	11
18	Z76221	Carriage Bolt, 5/16NC x 3/4"	2
19	Z72221	Hex Lock Nut, 5/16NC	2
20	Z72914	Acorn Nut, 5/16NC	2
21	Z76133	Flange Bolt, 3/8NC x 3/4"	4
22	Z72958	Rivet Nut, 3/8NC x 150	4
23	Z73131	SAE Washer, 3/8"	5

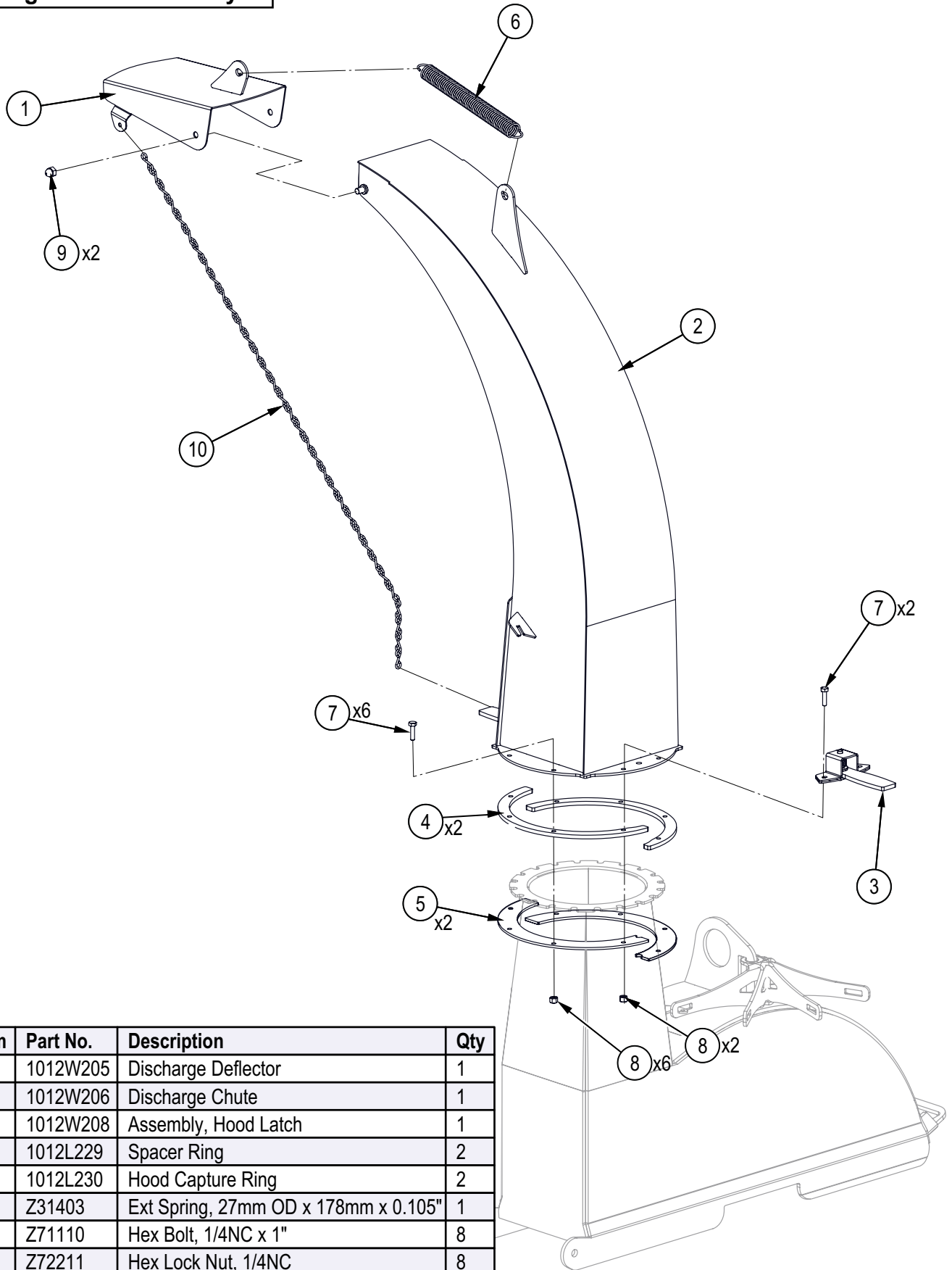
Blower Assembly



Item	Part No.	Description	Qty
1	1012M204	Knife, BX62 Ledger	1
2	1012W204	Twig Breaker	1
3	1053W201	Housing, Bottom Rotor	1
4	1053W202	Housing, Upper Rotor	1
5	Z12110	Lynch Pin, 3/16"	1
6	Z71312	Hex Bolt, 3/8NC x 1-1/4"	2
7	Z71512	Hex Bolt, 1/2NC x 1-1/4"	4

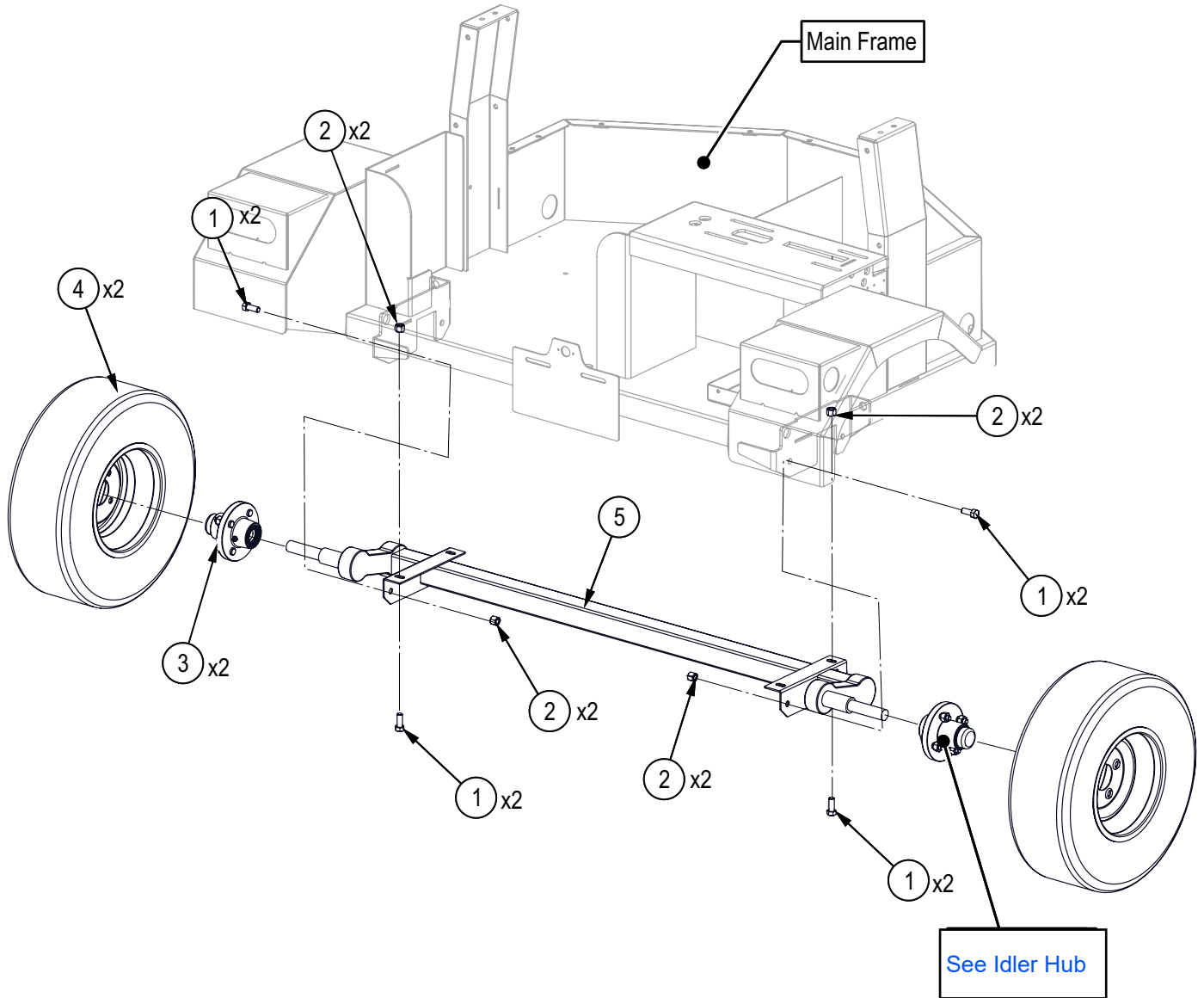
Item	Part No.	Description	Qty
8	Z71515	Hex Bolt, 1/2NC x 1-1/2"	2
9	Z72251	Hex Lock Nut, 1/2NC	6
10	Z72531	Serrated Flange Locknut, 3/8NC	2
11	Z76151	Flange Bolt, 1/2NF x 3/4"	3
12	Z76152	Flange Bolt, 1/2NC x 1-1/4"	1

Discharge Chute Assembly



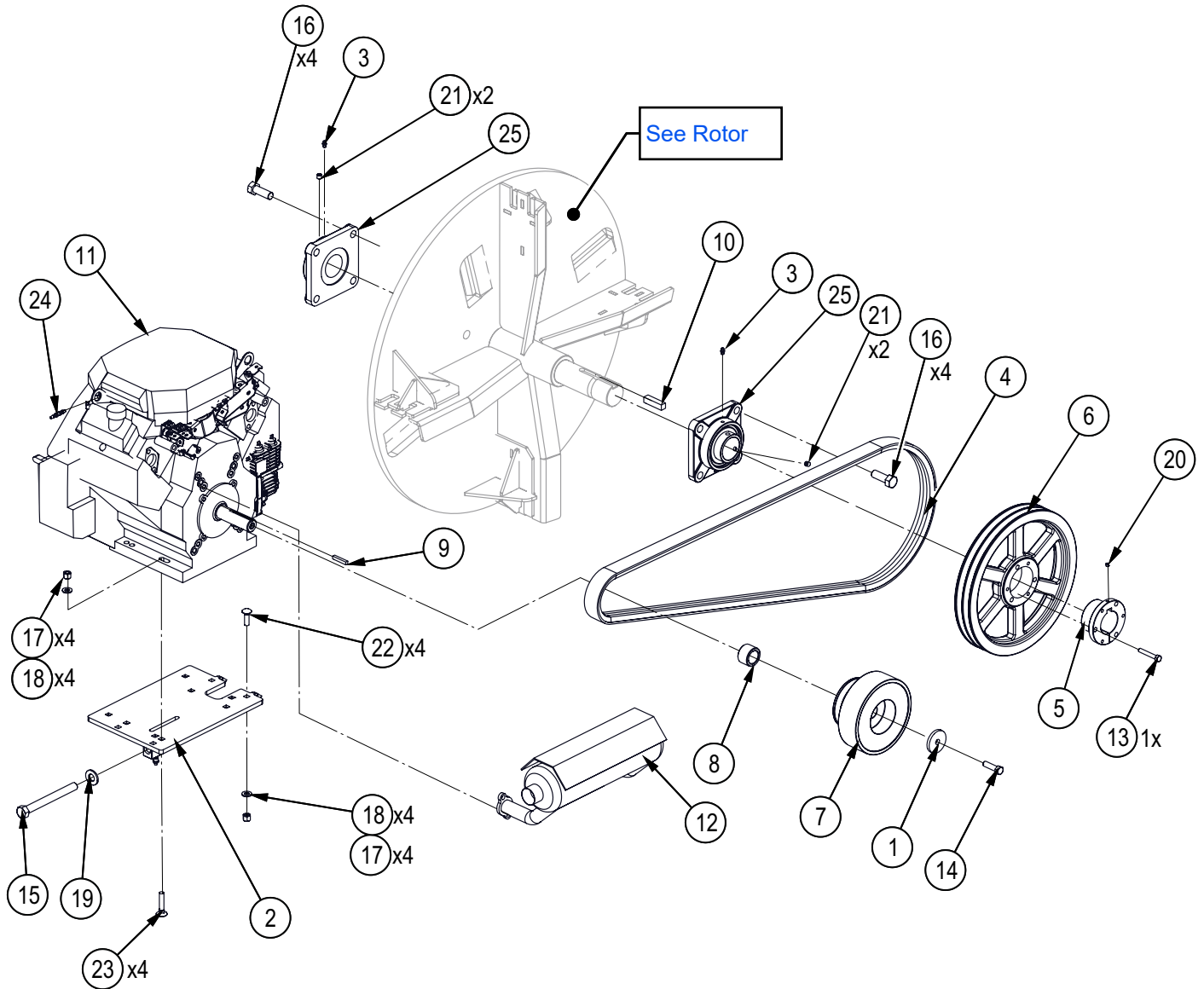
Item	Part No.	Description	Qty
1	1012W205	Discharge Deflector	1
2	1012W206	Discharge Chute	1
3	1012W208	Assembly, Hood Latch	1
4	1012L229	Spacer Ring	2
5	1012L230	Hood Capture Ring	2
6	Z31403	Ext Spring, 27mm OD x 178mm x 0.105"	1
7	Z71110	Hex Bolt, 1/4NC x 1"	8
8	Z72211	Hex Lock Nut, 1/4NC	8
9	Z72911	Acorn Nut, 3/8NC	2
10	Z92304	Single-Jack Chain, #10 x 35 Links	1

Wheels and Axle



Item	Part No.	Description	Qty
1	Z71512	Hex Bolt, 1/2NC x 1-1/4"	8
2	Z72251	Hex Lock Nut, 1/2NC	8
3	Z91206	Idler Hub Assy, 1000lbs x 4on4" x 1-1/16"	2
4	Z91303	20.5x8.0-10 LRC SportTrail 4on4"	2
5	Z91114	#9 Full Flex Axle, 1800lbs x 66" HF Axle Only	1

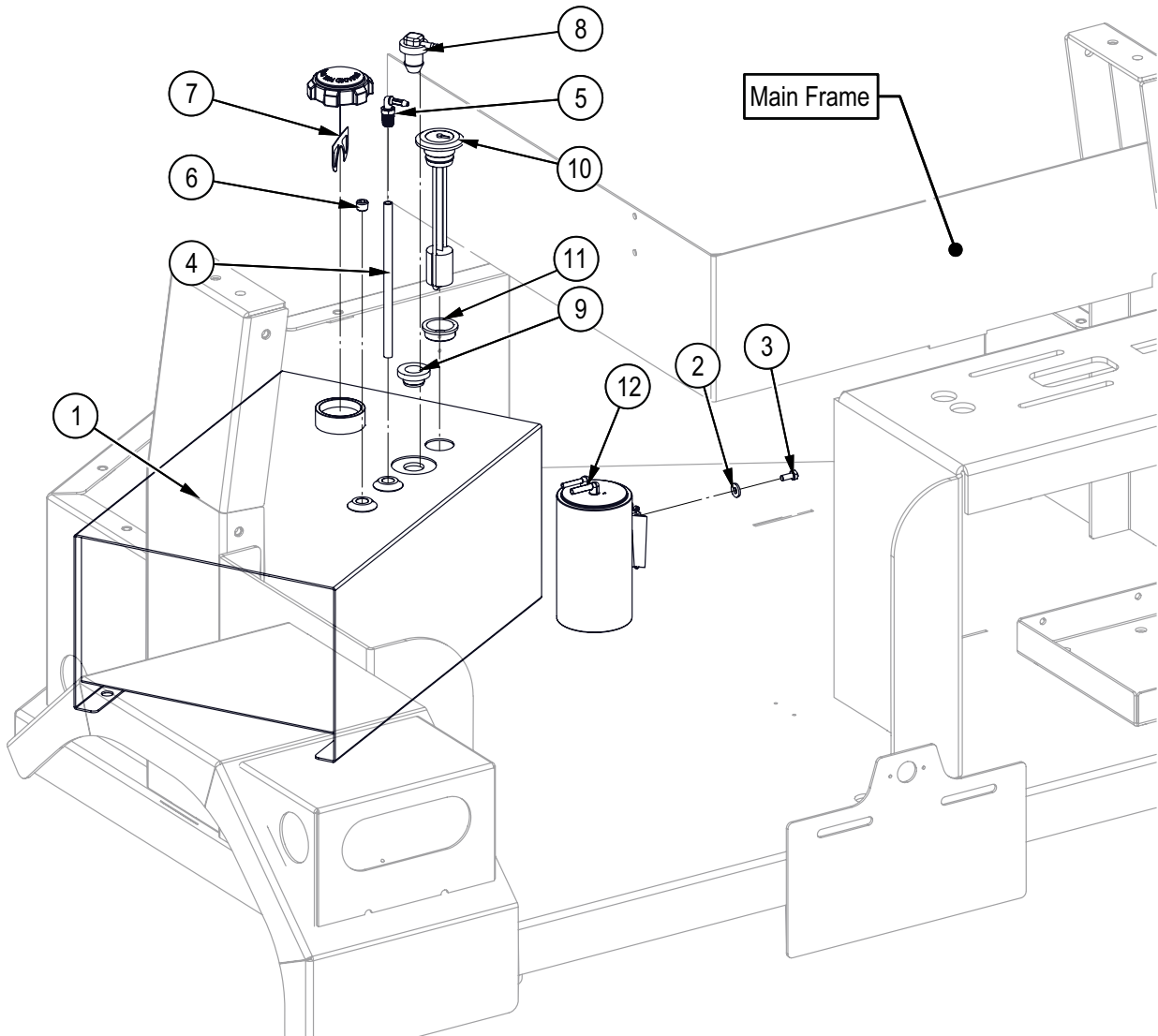
Engine and Driveline



Item	Part No.	Description	Qty
1	1052L503	Washer, Clutch Trap x 7/16"	1
2	1053W304	Engine Adjustment Plate	1
3	Z29202	Grease Fitting, 1/4NF	2
4	Z41254	Double "B" Belt x 87	1
5	Z41512	Hub, SK x 2"	1
6	Z41702	Double Sheave, 2B124 x SK	1
7	Z41902	Centrifugal Clutch, 2B39 x 1-1/8"	1
8	Z46353	Spacer, 1-1/8" ID x 1.065"	1
9	Z46532	Key, 1/4" x 1/4" x 1-1/2"	1
10	Z46561	Key, 1/2" x 1/2" x 2"	1
11	Z47168	Honda GX690RHTXA, Electric	1
12	Z47169	Aftermarket Muffler, GX690 (Ignition Side)	1
13	Z71220	Hex Bolt, 5/16NC x 2"	3

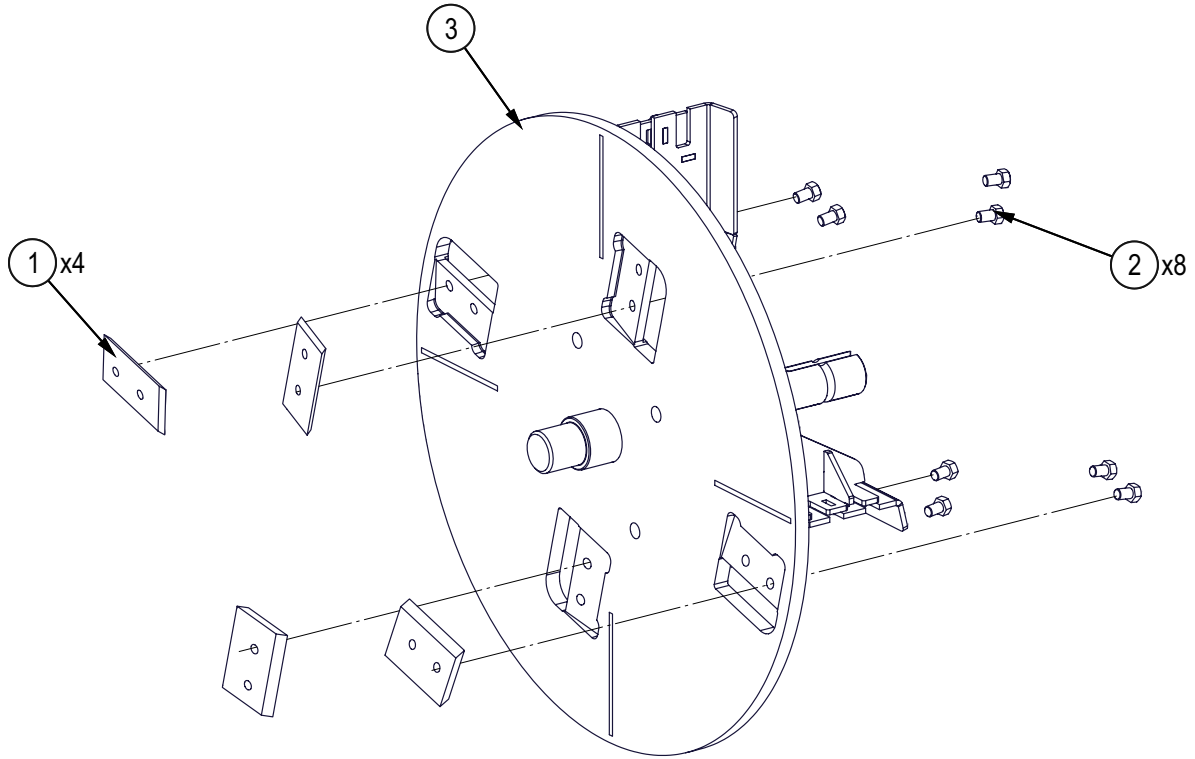
Item	Part No.	Description	Qty
14	Z71472	Hex Bolt, 7/16NF x 1-1/2"	1
15	Z71660	Hex Bolt, 5/8NC x 6"	1
16	Z71672G8	Hex Bolt, 5/8NF x 1-3/4" G8	8
17	Z72231	Hex Lock Nut, 3/8NC	8
18	Z73131	SAE Washer, 3/8"	8
19	Z73161	SAE Washer, 5/8"	1
20	Z74111	Set Screw, 1/4NC x 1/4"	1
21	Z74132	Set Screw, 3/8NF x 3/8"	4
22	Z76232	Carriage Bolt, 3/8NC x 1-1/4"	4
23	Z76632	Plow Bolt, 3/8NC x 2"	4
24	Z93314	Plastic Reducer, HB x HB 0403	1
25	Z25203	4-Bolt Flange Bearing, UCF210-32	2

Fuel Tank Assembly



Item	Part No.	Description	Qty
1	1052W501	Fuel Tank, Trailer Chippers	1
2	Z73111	SAE Washer, 1/4"	2
3	Z77130	Hex Bolt, M6x1.0 x 14mm	2
4	1052S501	Fuel Pickup Tube	1
5	Z93312	Plastic Elbow 90, MP x HB 0404	1
6	Z51194	Socket Plug, MP 04	1
7	Z93108	EPA Ratchet Fuel Cap, Unleaded Fuel x Unvented with Tether	1
8	Z93110	EPA Remote Vent, HB04	1
9	Z93111	Vent Grommet For Z93110	1
10	Z93113	Fuel Gauge, Grommet Mount x 7"	1
11	Z93115	Fuel Gauge Grommet for Z93113	1
12	Z93309	EPA Carbon Canister, 652cc	1

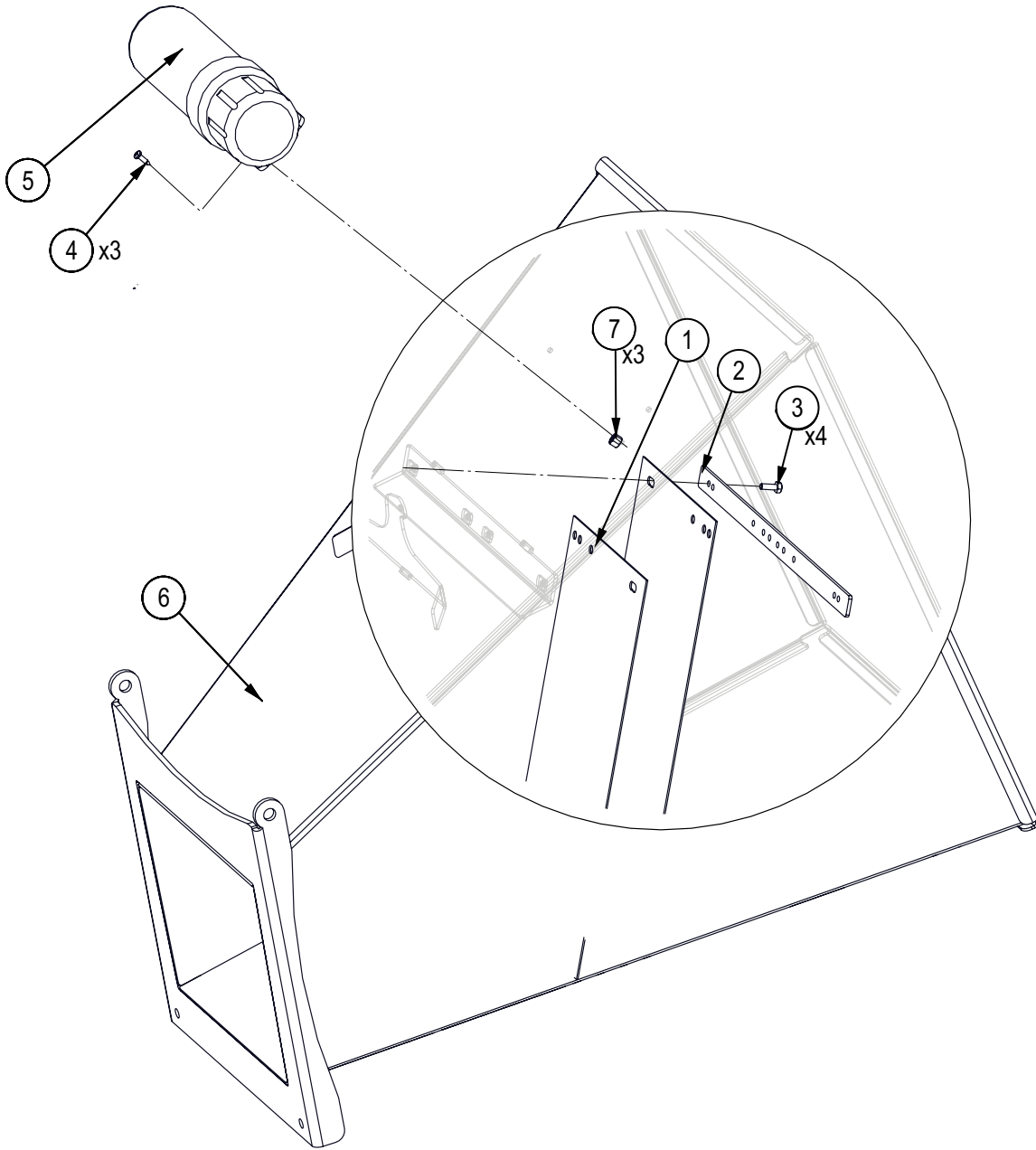
Rotor



Item	Part No.	Description	Qty
1	1053M303	Split Knife, BXT62 Rotor	4
2	Z71572G8	Hex Bolt, 1/2NF x 7/8" G8	7
3	1053W203	Rotor, 4-split Trailer Weldment	1

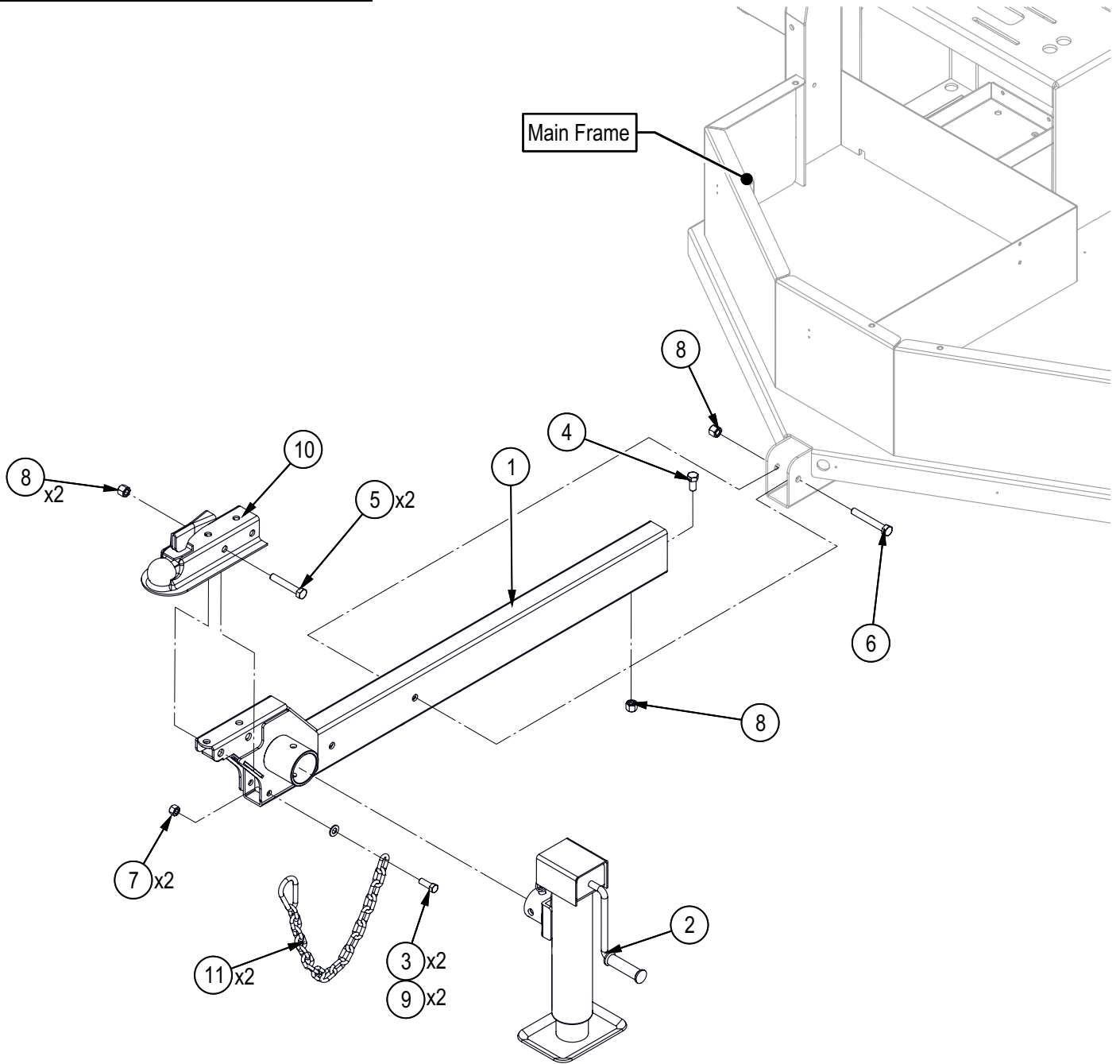
ECR03519

Self-Feed Hopper



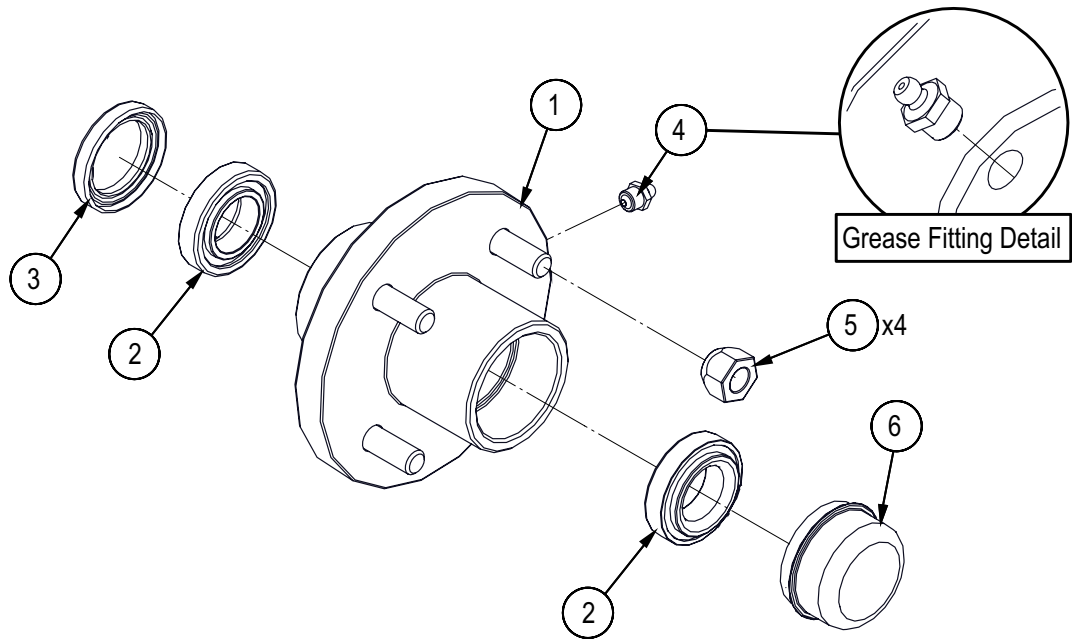
Item No.	Part No.	Description	Qty
1	1011S103	Flap, Hopper	2
2	1012L251	Strap, Hopper Flap	1
3	Z71107	Hex Bolt, 1/4NC x 3/4"	4
4	Z78301	Machine Screw, 1/4NC x 3/4"	3
5	Z96503	Manual Tube, 3-1/2" Short	1
6	1012W207	Hopper, Self-Feed BX62	1
7	Z72211	Hex Lock Nut, 1/4NC	3

Hitch Assembly



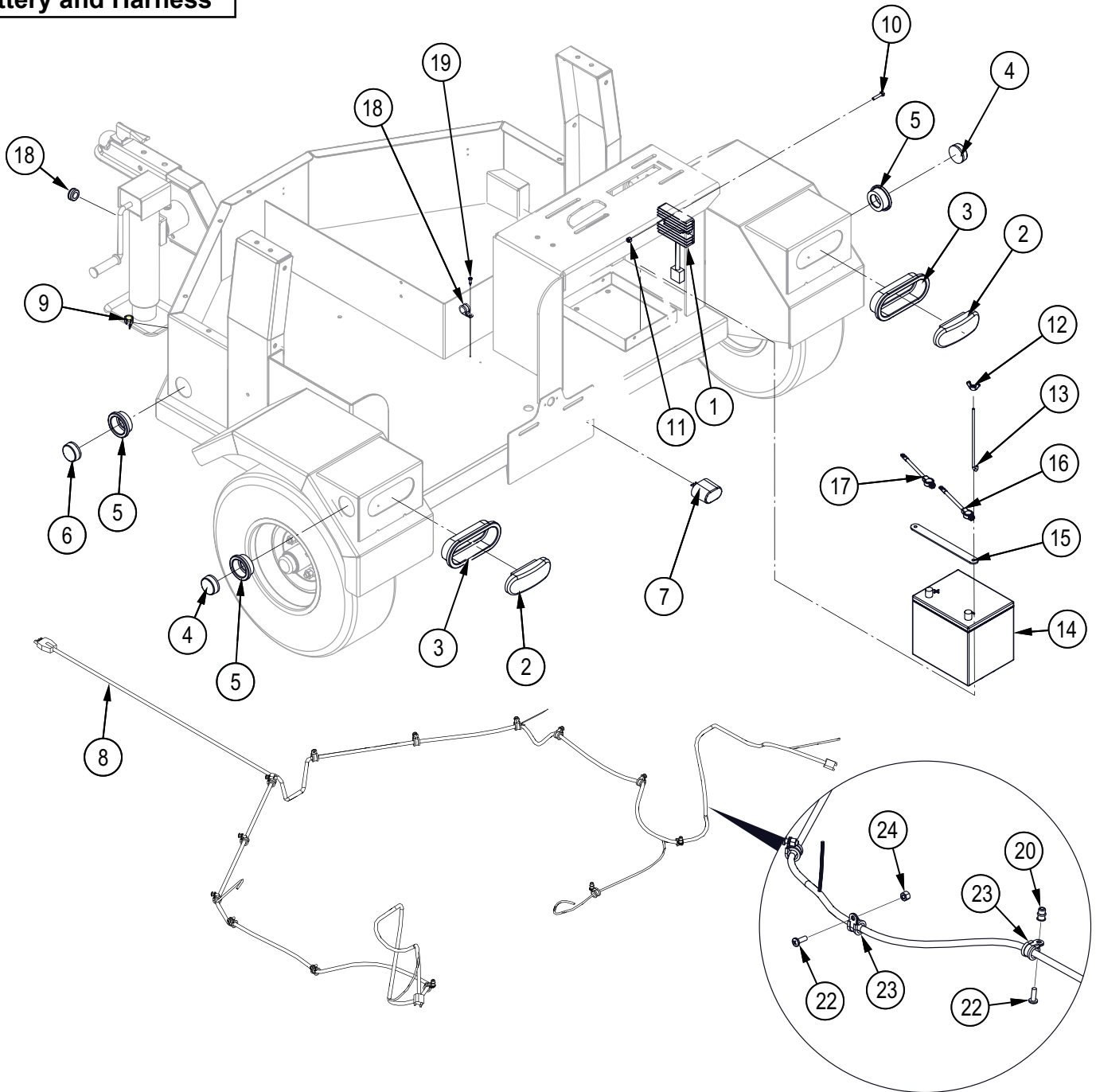
Item	Part No.	Description	Qty
1	1053W301	Tongue	1
2	Z91512	Trailer Jack, Side Wind x 2000lbs	1
3	Z71412	Hex Bolt, 7/16NC x 1-1/4"	2
4	Z71510	Hex Bolt, 1/2NC x 1"	1
5	Z71530	Hex Bolt, 1/2NC x 3"	2
6	Z71535	Hex Bolt, 1/2NC x 3-1/2"	1
7	Z72241	Hex Lock Nut, 7/16NC	2
8	Z72251	Hex Lock Nut, 1/2NC	4
9	Z73142	SAE Washer, 7/16"	2
10	Z91614	Hitch Coupler, 2" Ball x 2" x 3500lbs	1
11	Z92303	Safety Chain, 1/4" x 2ft with Snap	2

Idler Hub



Item	Part No.	Description	Qty
1	Z91201	Hub, 1000lbs x 4on4	1
2	Z23202	Roller Bearing, L44649 L44610	2
3	Z28302	Double Lip Seal, 1-1/16"	1
4	Z29201	Grease Fitting, MP02	1
5	Z72931	Lug Nut, 1/2NF	4
6	Z91801	Dust Cap, 1.98 Bore	1

Battery and Harness



Item	Part No.	Description	Qty
1	Z47901	Regulator Rectifier	1
2	Z61102	STT Lamp, Oval	2
3	Z61103	Grommet, Oval x Open Back	2
4	Z61201	Marker Lamp, Round x Red	2
5	Z61202	Grommet, Round x Open Back	4
6	Z61205	Marker Lamp, Round x Amber	2
7	Z61301	License Lamp, White	1
8	1053F001	Harness, BXT62 Lights	1
9	Z62815	J-Clip, 1/2" Vinyl Coated	1
10	Z71112	Hex Bolt, 1/4NC x 1-1/4"	2
11	Z72211	Hex Lock Nut, 1/4NC	2
12	Z72921	Wing Nut, 1/4NC	2

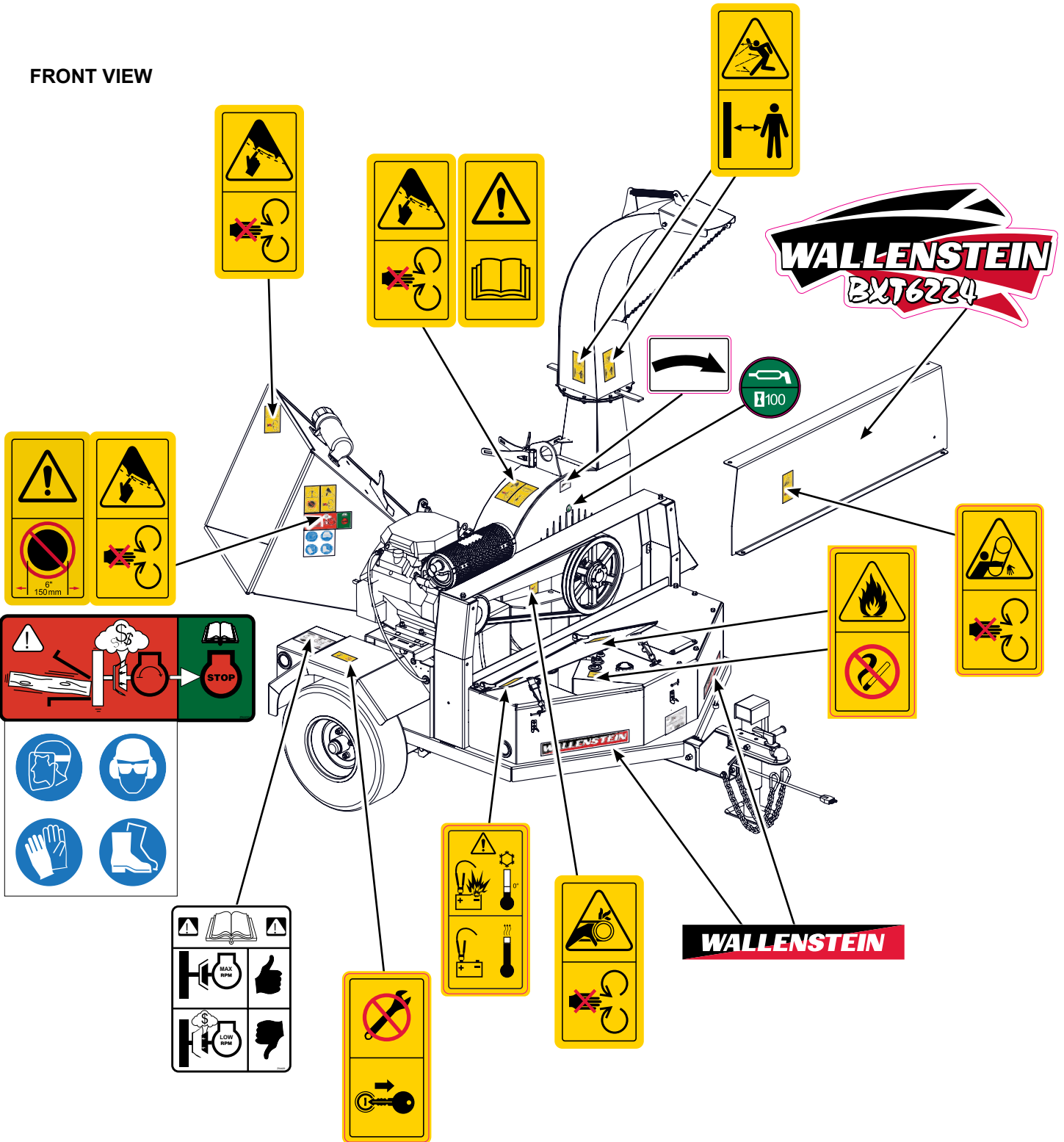
Item	Part No.	Description	Qty
13	Z93202	J-Hook, 1/4" x 7"	2
14	Z93205	Battery, 550CCA	1
15	Z93207	Hold-Down Strap, 1" x 8-1/2"	1
16	Z93218	Battery Post Cable, Negative x 25"	1
17	Z93219	Battery Post Cable, Positive x 28"	1
18	Z62821	Rubberized Wire Clamp, 5/8"	2
19	Z76712	Self-tapping Screw, #10 x 3/4"	2
20	Z72962	Rivet Nut, 1/4NC x 260	3
21	Z62822	Rubber Grommet, 3/4" x 1/4"	1
22	Z78301	Machine Screw, 1/4NC x 3/4"	13
23	Z62819	Rubberized Wire Clamp, 1/2"	13
24	Z72211	Hex Lock Nut, 1/4NC	10

Decal Layout

IMPORTANT! If parts are replaced that have safety signs on them, new signs must be applied. Safety signs must always be replaced if they become damaged, are removed, or become illegible.

Safety signs are included in the product decal kit available from your authorized dealer. Decals are not available separately.

FRONT VIEW

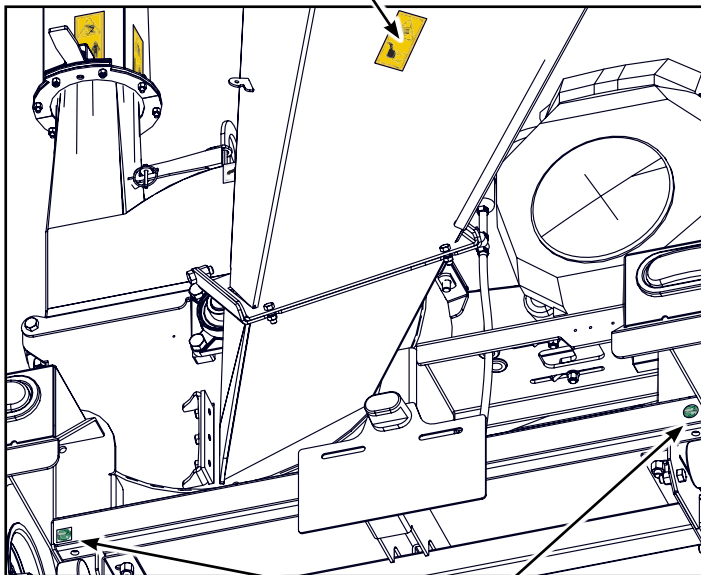


Decal Layout

BACK VIEW



Z94427

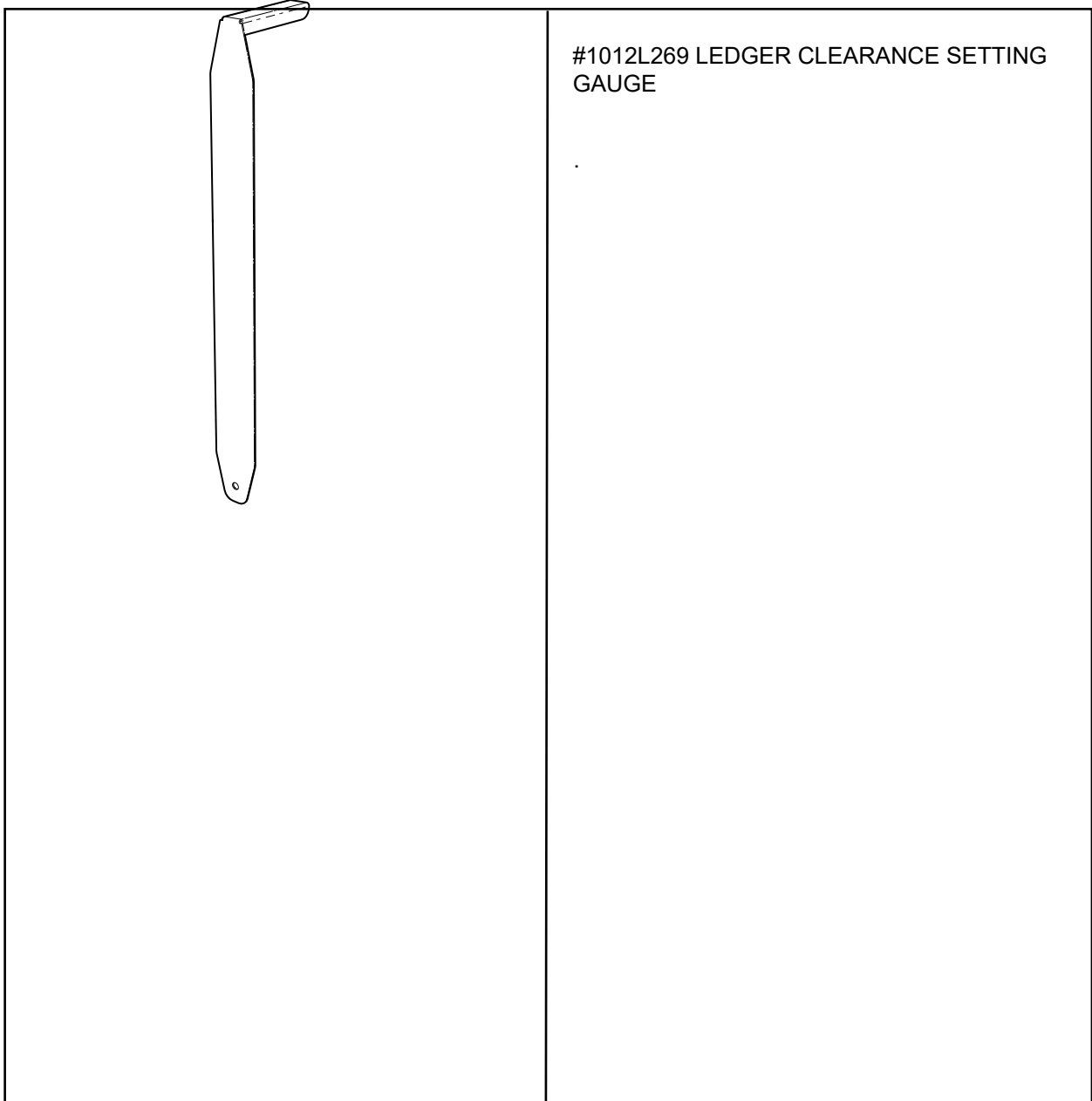


BOTTOM VIEW



Accessories

Call your dealer for pricing and availability




Common Bolt Torque Values

Checking Bolt Torque

The tables shown give correct torque values for various bolts and capscrews. Tighten all bolts to the torque values specified in the table, unless indicated otherwise. Check tightness of bolts periodically.

IMPORTANT! If replacing hardware, use fasteners of the same grade.

IMPORTANT! Torque figures indicated in the table are for non-greased or non-oiled threads. Do not grease or oil threads unless indicated otherwise. When using a thread locker, increase torque values by 5%.

 **NOTE:** Bolt grades are identified by their head markings.

Imperial Bolt Torque Specifications

Bolt Diameter	Torque Value					
	SAE Gr. 2		SAE Gr. 5		SAE Gr. 8	
	lbf•ft	N•m	lbf•ft	N•m	lbf•ft	N•m
1/4"	6	8	9	12	12	17
5/16"	10	13	19	25	27	36
3/8"	20	27	33	45	45	63
7/16"	30	41	53	72	75	100
1/2"	45	61	80	110	115	155
9/16"	60	95	115	155	165	220
5/8"	95	128	160	215	220	305
3/4"	165	225	290	390	400	540
7/8"	170	230	420	570	650	880
1"	225	345	630	850	970	1320



SAE Gr. 2



SAE Gr. 5



SAE Gr. 8

Metric Bolt Torque Specifications

Bolt Diameter	Torque Value			
	Gr. 8.8		Gr. 10.9	
	lbf•ft	N•m	lbf•ft	N•m
M3	0.4	0.5	1.3	1.8
M4	2.2	3	3.3	4.5
M6	7	10	11	15
M8	18	25	26	35
M10	37	50	52	70
M12	66	90	92	125
M14	83	112	116	158
M16	166	225	229	310
M20	321	435	450	610
M30	1,103	1 495	1,550	2 100



8.8



10.9

Wheel Lug Torque Values

It is extremely important safety procedure to apply and maintain proper wheel mounting torque on your trailer axle. Torque wrenches are the best method to assure the proper amount of torque is being applied to a fastener.

Wheel lugs should be torqued before first road use and after each wheel removal. Check and re torque after the first 10 miles (16 km), 25 miles (40 km), and again at 50 miles (80 km). Check periodically thereafter.

NOTE: *Wheel lugs must be applied and maintained at the proper torque levels to prevent loose wheels, broken studs, and possible dangerous separation of wheels from your axle.*

- Start all lugs by hand to prevent cross threading.
- Tighten lugs in sequence, per wheel lug torque sequence chart.
- The tightening of the fasteners should be done in stages. Following the recommended sequence, tighten fasteners per wheel torque requirements chart.

Wheel Lug Nut Torque				
Wheel Size	Units	1st Stage	2nd Stage	3rd Stage
8"	lbf•ft N•m	12–20 16–26	30–35 39–45.5	45–55 58.5–71.5
12"	lbf•ft N•m	20–25 26–32.5	35–40 45.5–52	50–60 65–78
13"	lbf•ft N•m	20–25 26–32.5	35–40 45.5–52	50–60 65–78
14"	lbf•ft N•m	20–25 26–32.5	50–60 65–78	90–120 117–156
15"	lbf•ft N•m	20–25 26–32.5	50–60 65–78	90–120 117–156
16"	lbf•ft N•m	20–25 26–32.5	50–60 65–78	90–120 117–156

Wheel Lug Torque Pattern

