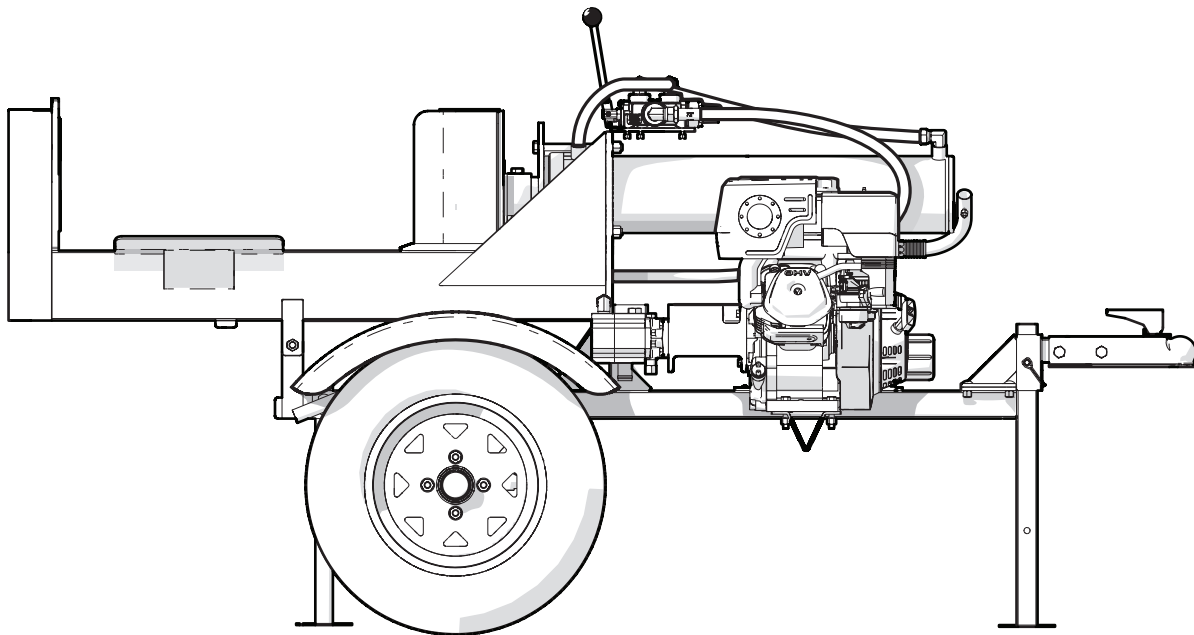


PARTS MANUAL

WX980L Serial Number 2E9US1110ES380195 to 2E9US1115NS380712, and 1100000 to 1100759

WX980 Serial Number 380195 to 380716, 100031, and 1100000 to 1100759

WX980 / WX980L Trailer Log Splitter



Foreword

This Wallenstein parts manual is prepared to assist customers in ordering quality OEM replacement parts.

Regular maintenance combined with replacing old, worn or broken parts with the correct OEM parts is essential in prolonging the life of your Wallenstein product. Refer to this manual to identify replacement parts.

To order parts, contact your Wallenstein dealer or distributor. Have the product model and serial number handy.

If your dealer is no longer available, please go to our website: <http://wallensteinequipment.com> and click on the [Dealer Locator](#) to find the nearest dealer.

All information contained in this parts manual is current as per the revision date at the bottom of the page. Wallenstein reserves the right to change product specifications at any time without notice.

If your product specifications differ from those contained in this manual, contact Wallenstein for current information.

Reproduction of information in this parts manual is prohibited without prior written permission from Wallenstein Equipment Inc.

Wallenstein Equipment Inc. • © 2022

WARNING!

Refer to the operators manual for safe operation and maintenance.

Maintenance should be performed by trained personnel only.

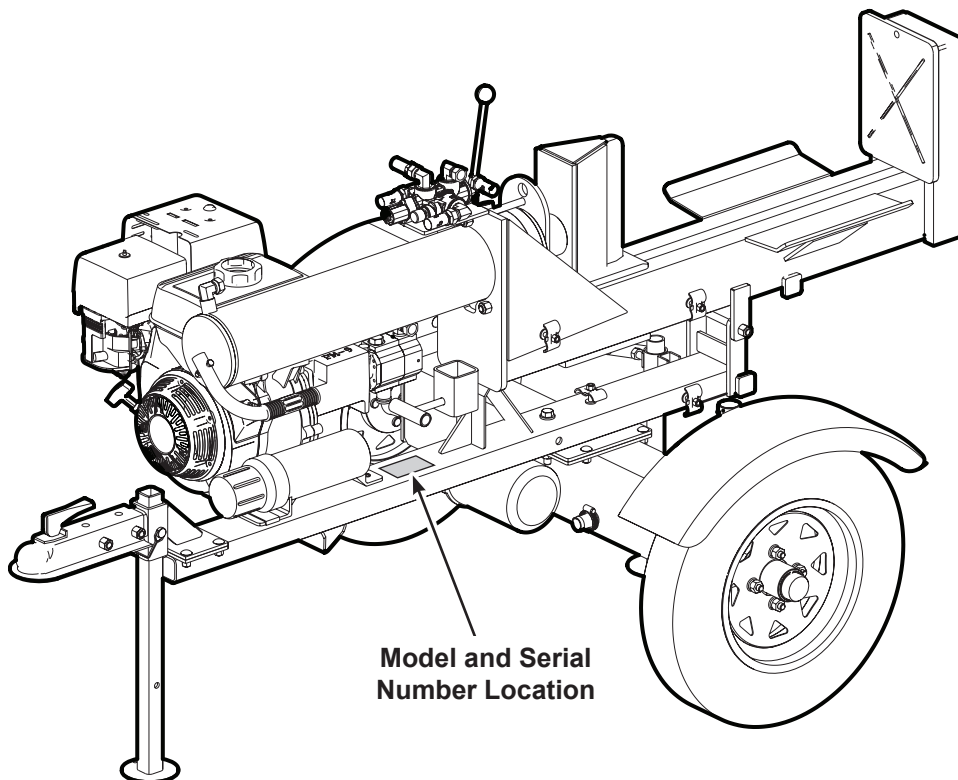
Serial Number Location

Always provide the model and serial number of your Wallenstein product when ordering parts or requesting service or other information. This information is found on the product information plate as shown below.

Record your product information here for future reference.

Model _____

Serial Number _____

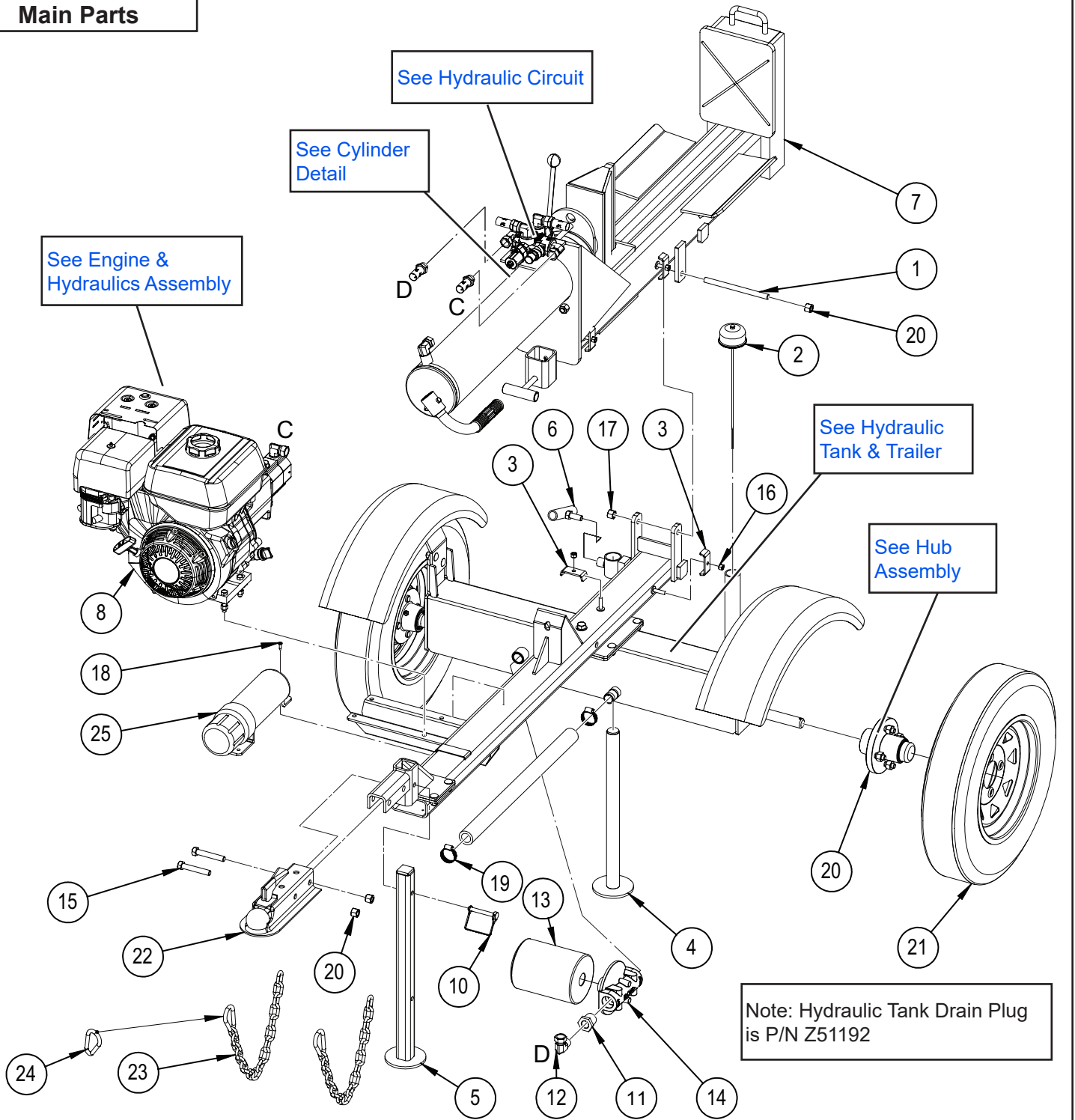


www.wallensteinequipment.com

Contents

Main Parts	4
Hydraulic Tank and Trailer	5
Rotating Base	6
Valve Assembly	7
Valve Service Kit	7
Engine and Hydraulics Assembly	8
Hub Assembly	9
Cylinder Detail	9
Hydraulic Circuit	10
Wiring Diagram – WX980L	11
Decal Layout	12
Accessories	13
Common Bolt Torque Values	14
Hydraulic Fitting Torque Values	15
Wheel Lug Torque Values	15

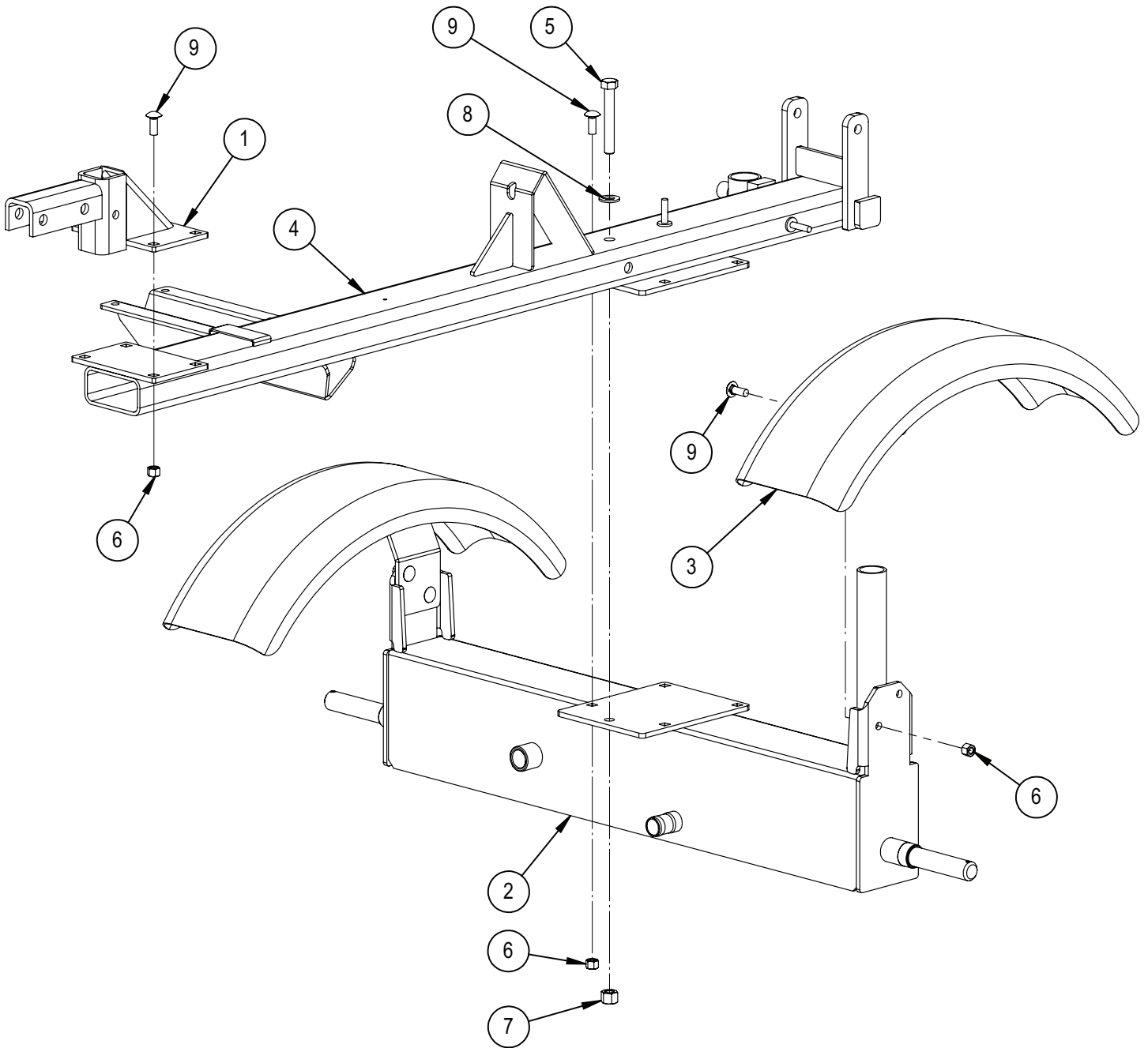
Main Parts



Item No.	Part No.	Description	Qty
1	2016M602	Pin, Pivot Threaded	1
2	Z55404	Vented Plug Dipstick x 9"	1
3	2054L412	Clamp, Two Hose	2
4	2054W405	Jack Stand, Rear	1
5	2054W406	Jack Stand, Front	1
6	2054W407	Handle, Rear Jack Lock	1
7	2061A101	Assembly, Splitter Base	1
8	2061A103	Assy, 9hp Engine to 16gpm Pump	1
10	Z12432	Snapper Pin 3/8 x 2-1/2	1
11	Z51223	Reducer, MP x FP 1608	1
12	Z51331	Elbow 90 MP x FPX 0808	1
13	Z55303	Oil Filter - 1" - Particulate	1

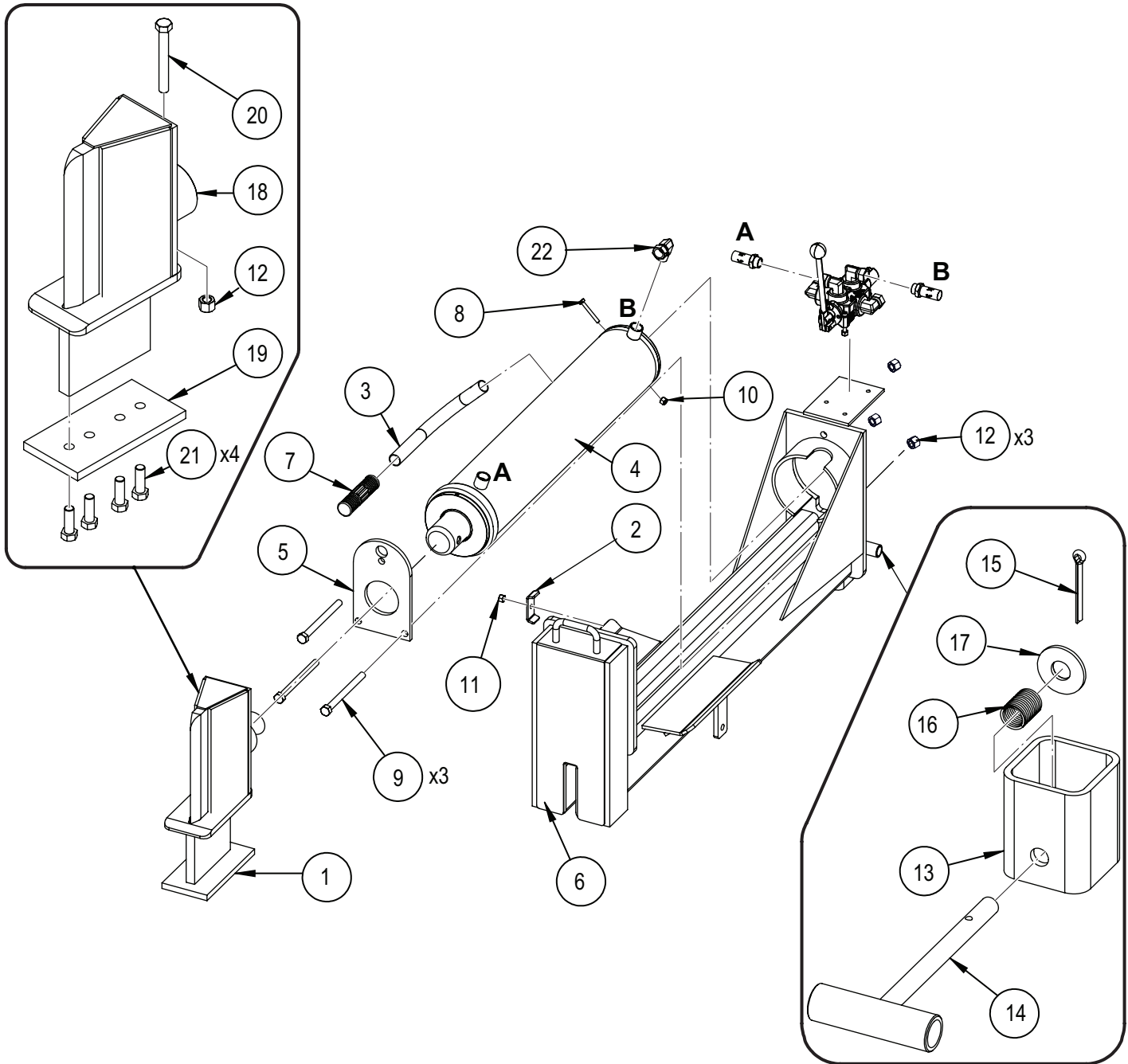
Item No.	Part No.	Description	Qty
14	Z55304	Filter Cap, FP16 x FP16	1
15	Z71530	Hex Bolt 1/2NC x 3	2
16	Z72221	Hex Lock Nut 5/16NC	2
17	Z72251	Hex Lock Nut 1/2NC	4
18	Z76712	Self-tapping Screw #10	1
19	Z79401	Hose Clamp, #16	2
20	Z91202	Assembly, 1000# 4-Bolt Hub	2
21	Z91302	5.30-12 LRB SportTrail 4 Spoked	2
22	Z91614	2" Hitch Coupler	1
23	Z92303	Safety Chain 1/4 x 2'	2
24	Z92303-2	Safety Snap	2
25	Z96503	Manual Tube 3-1/2 Short	1

Hydraulic Tank and Trailer



Item No.	Part No.	Description	Qty
1	2054W604	Hitch Mount	1
2	2061W108 2061W108-L	WX980 Tank WX980L Tank	1
3	2061W103	Fender	2
4	2061W104	WX980 Tongue	1
5	Z71535	Hex Bolt 1/2NC x 3-1/2	1
6	Z72231	Hex Lock Nut 3/8NC	12
7	Z72251	Hex Lock Nut 1/2NC	1
8	Z73151	Flat Washer, 1/2	1
9	Z76231	Carriage Bolt 3/8NC x 1	12

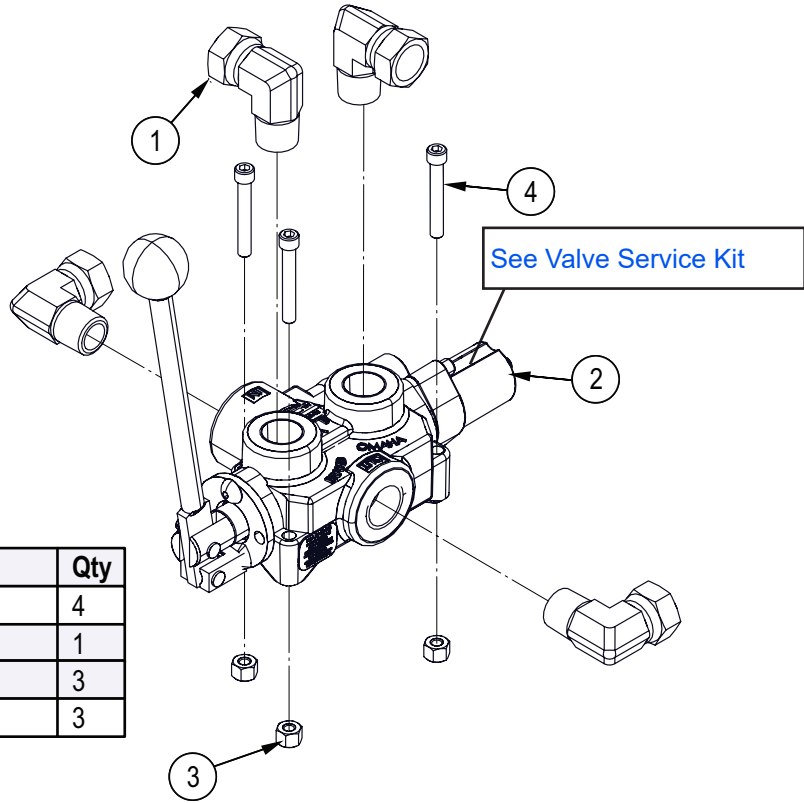
Rotating Base



Item No.	Part No.	Description	Qty
1	2015A505	Wedge Assy for 5" Cylinder	1
2	2054L4121	Clamp, Two Hose x 1/2"	2
3	2054S4141	Handle, Lift	1
4	2061C101	Cylinder, 5 x 24" x 2-1/2	1
5	2061S121	Plate, Cylinder Retaining (Bolt)	1
6	2061W101	WX980 Cylinder Base	1
7	Z19321	Handle Grip, 1"	1
8	Z71120	Hex Bolt 1/4NC x 2	1
9	Z71560	Hex Bolt 1/2NC x 6	3
10	Z72111	Hex Lock Nut 1/4NC	1
11	Z72221	Hex Lock Nut 5/16NC	2
12	Z72251	Hex Lock Nut	4

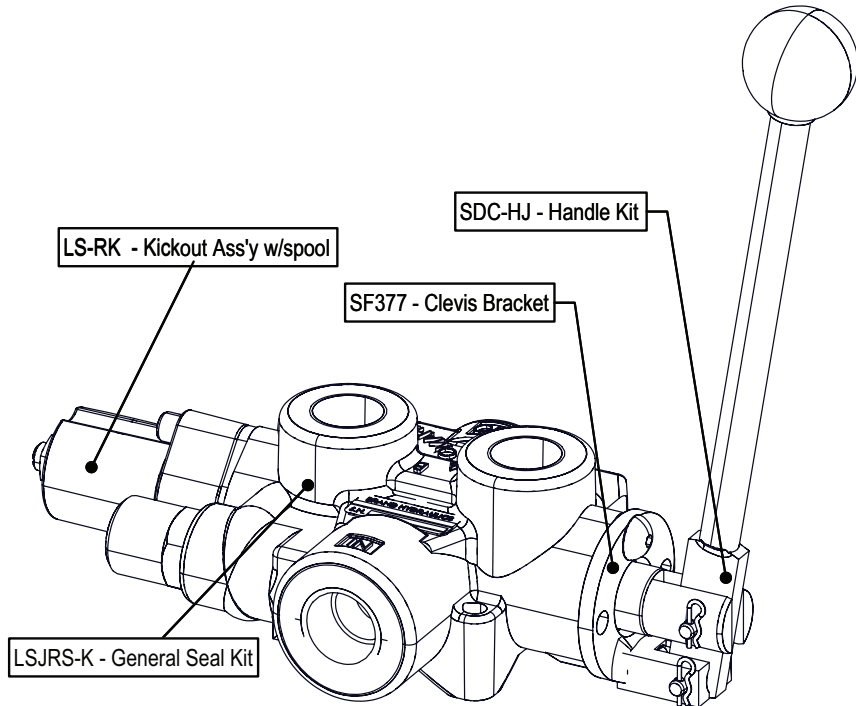
Item No.	Part No.	Description	Qty
13	2016S604	Housing, Latch Spring	1
14	2016W603	Handle, Spring Latch	1
15	Z12321	Cotter Pin, 3/16" x 1-3/4"	1
16	Z32301	Comp Spring, 0.720" OD x 3" x 0.063"	1
17	Z73251	USS Washer, 1/2"	1
18	2015W505	Wedge for 5" Cylinder	1
19	2014S414	Plate, Sliding Wedge Capture	1
20	Z71537	Hex Bolt, 1/2NC x 3-3/4"	1
21	Z71576G8	Hex Bolt, 1/2NF x 1-1/2" G8	4
22	Z51331	Elbow 90, MP x FXP 0808	1

Valve Assembly

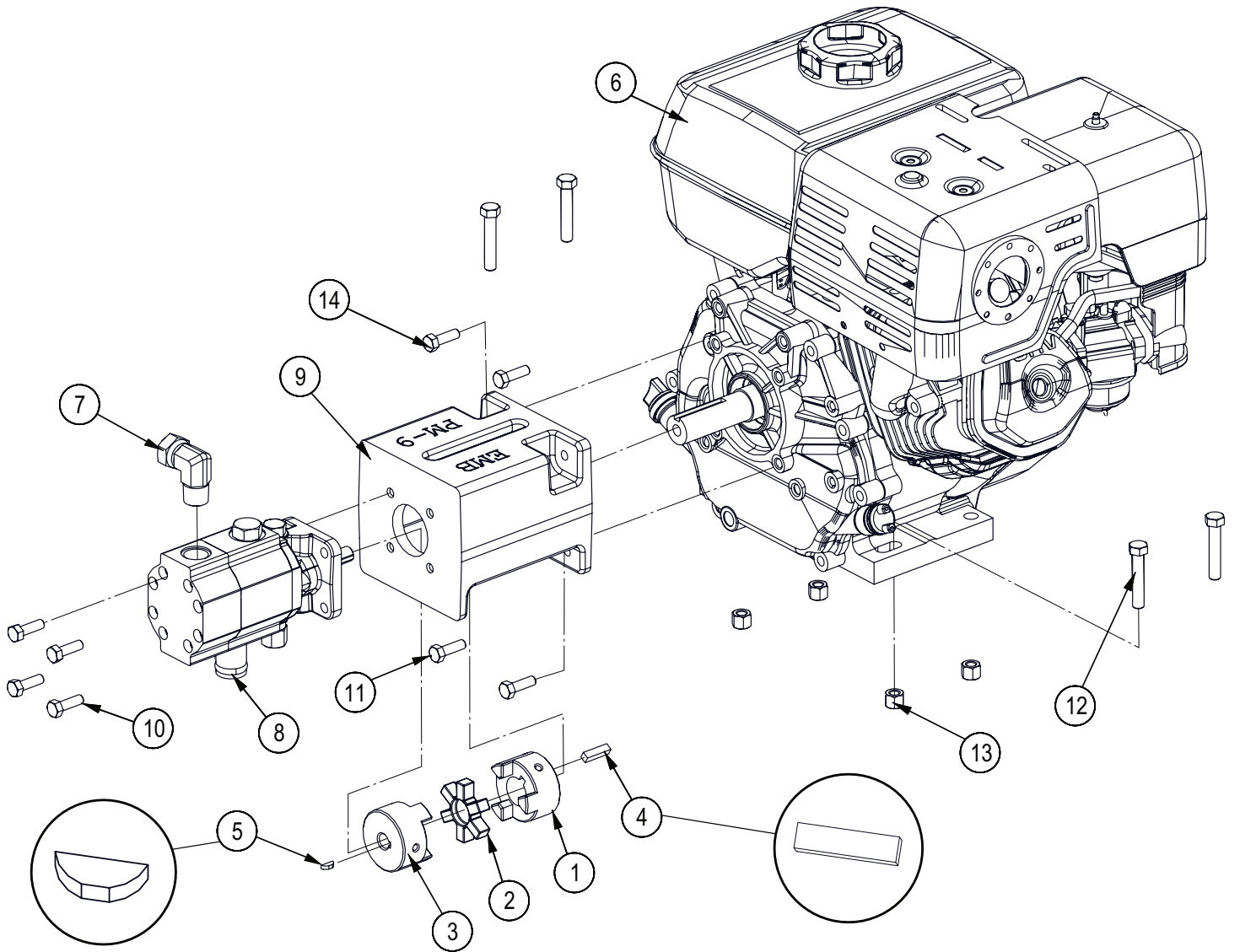


Item No.	Part No.	Description	Qty
1	Z51331	Elbow 90 MP x FPX 0808	4
2	Z56209	Valve, Single Function Detent	1
3	Z72211	Hex Lock Nut, 1/4NC	3
4	Z75114	SHCS, 1/4NC x 1-3/4"	3

Valve Service Kit



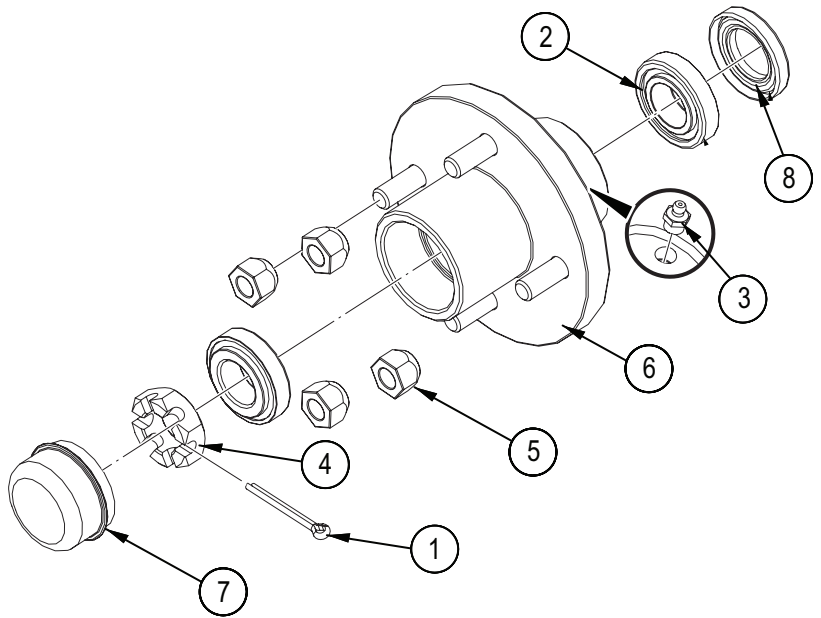
Engine and Hydraulics Assembly



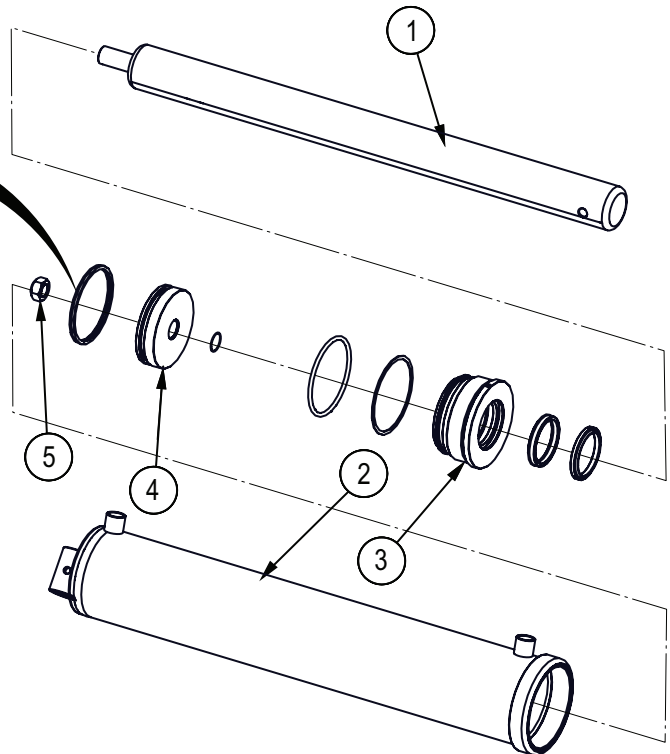
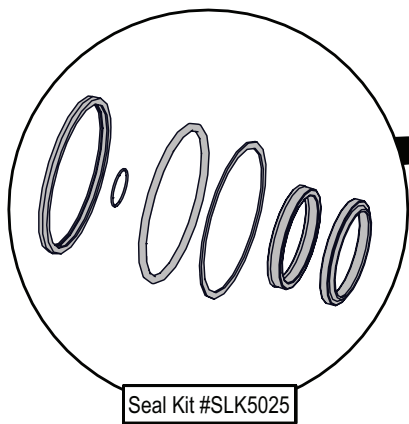
Item No.	Part No.	Description	Qty
1	Z46404	Shaft Coupling, L095 x 1"	1
2	Z46405	Spider, L095	1
3	Z46409	Shaft Coupling, L095 x 1/2"	1
4	Z46533	Key, 1/4" x 1/4" x 1"	1
5	Z46592	Woodruff Key, 1/8" x 1/2"	1
6	Z47135	Honda GX270UTQH6, Rope	1
7	Z51331	Elbow 90, MP x FPX 0808	1
8	Z53205	Two-Stage Pump, 16GPM	1
9	Z53802	Pump Mount, PM-9	1
10	Z71207	Hex Bolt, 5/16NC x 3/4"	4
11	Z71274	Hex Bolt, 5/16NF x 1"	2
12	Z71320	Hex Bolt, 3/8NC x 2"	4
13	Z72231	Hex Lock Nut, 3/8NC	4
14	Z71273	Hex Bolt, 5/16NF x 3/4"	2

Hub Assembly

Item No.	Part No.	Description	Qty
1	Z12321	Cotter Pin, 3/16" x 1-3/4"	1
2	Z23201	Roller Bearing, L44643 L44610	2
3	Z29201	Grease Fitting, MP02	1
4	Z72691	Castle Nut, 1NF x 9/16" Thick	1
5	Z72931	Lug Nut, 1/2NF	4
6	Z91201	Hub, 1000lbs x 4on4	1
7	Z91801	Dust Cap, 1.98 Bore	1
8	Z28301	Double Lip Seal, 1-1/4"	1

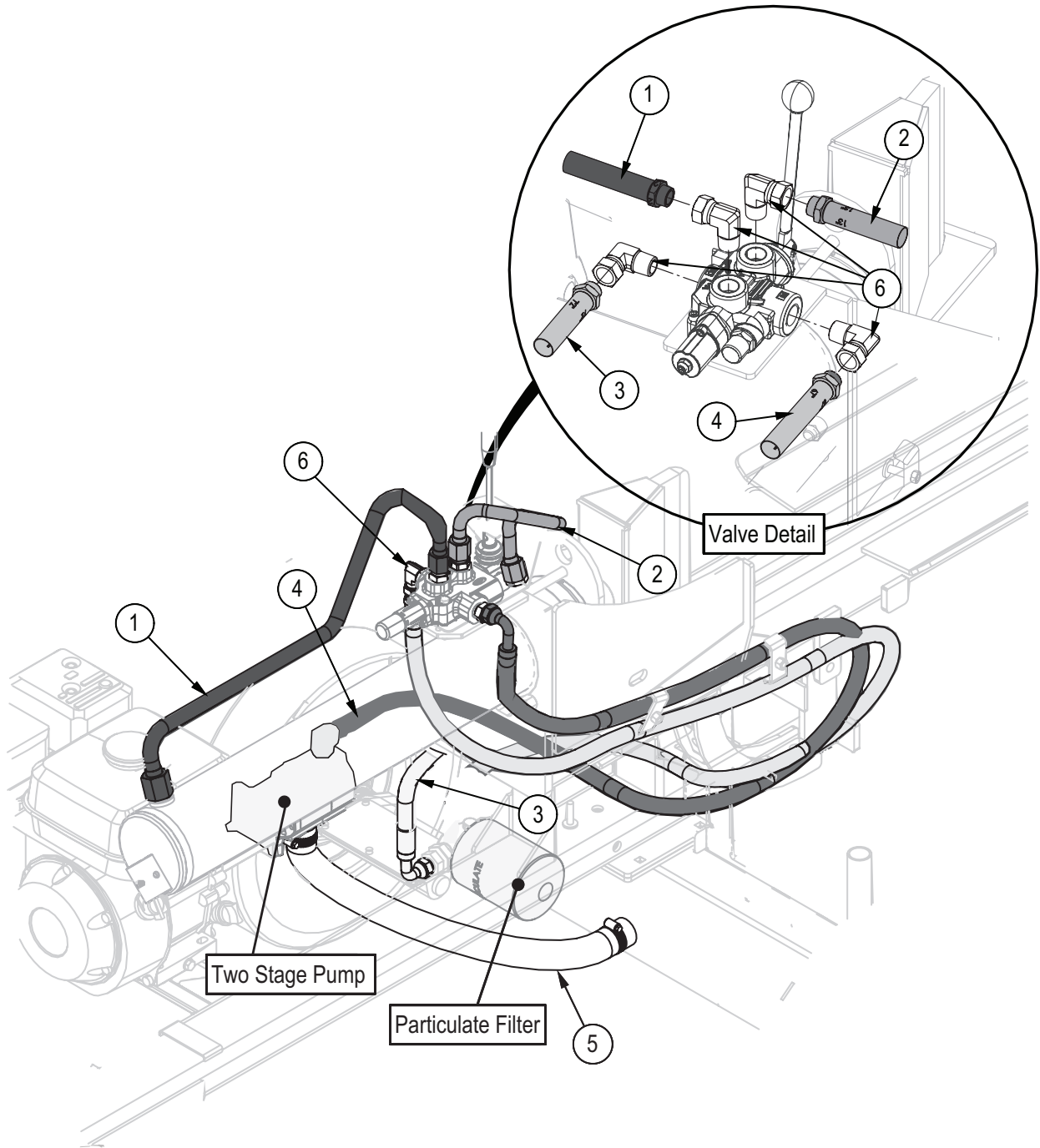


Cylinder Detail



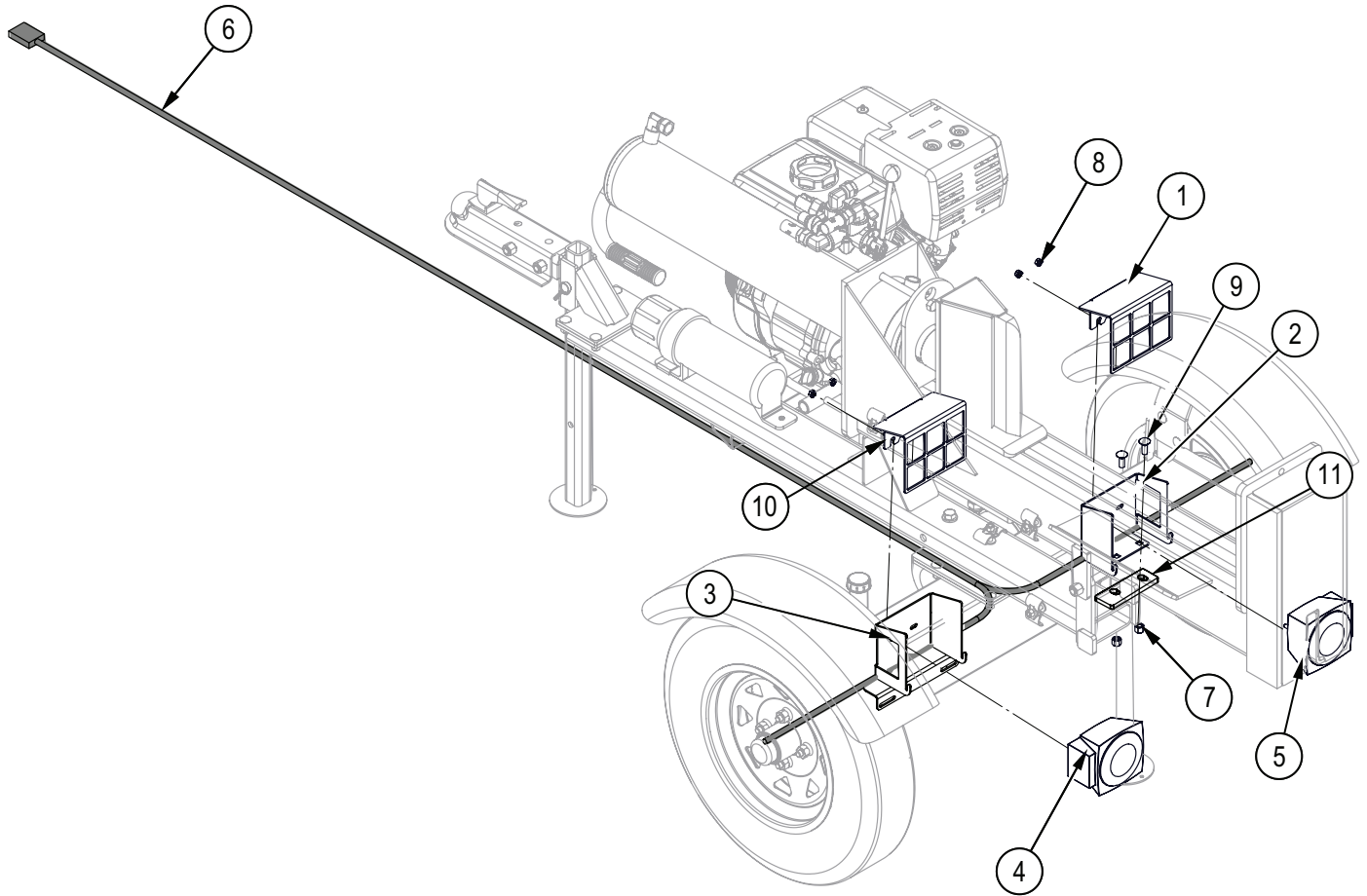
Item No.	Part No.	Description	Qty
1	2015C5012	Rod, 2-1/2 x 1	1
2	2015C5014	Barrel, 5"	1
3	G500-250S	Gland, 5" x 2-1/2"	1
4	P100-500SP	Piston, 5" Bore	1
5	Z72276	Hex Lock Nut, 1NF GR8	1

Hydraulic Circuit



Item No.	Part No.	Description	Qty
1	Z52305	1/2" Hose, MP08 x MP08 x 18"	1
2	Z52301	1/2" Hose, MP08 x MP08 x 13"	1
3	Z52311	1/2" Hose, MP08 x MP08 x 72"	1
4	Z52309	1/2" Hose, MP08 x MP08 x 67"	1
5	Z52405	Suction Hose, 1" x 24"	1
6	Z51331	Elbow 90, MP x FPX 0808	4

Wiring Diagram – WX980L

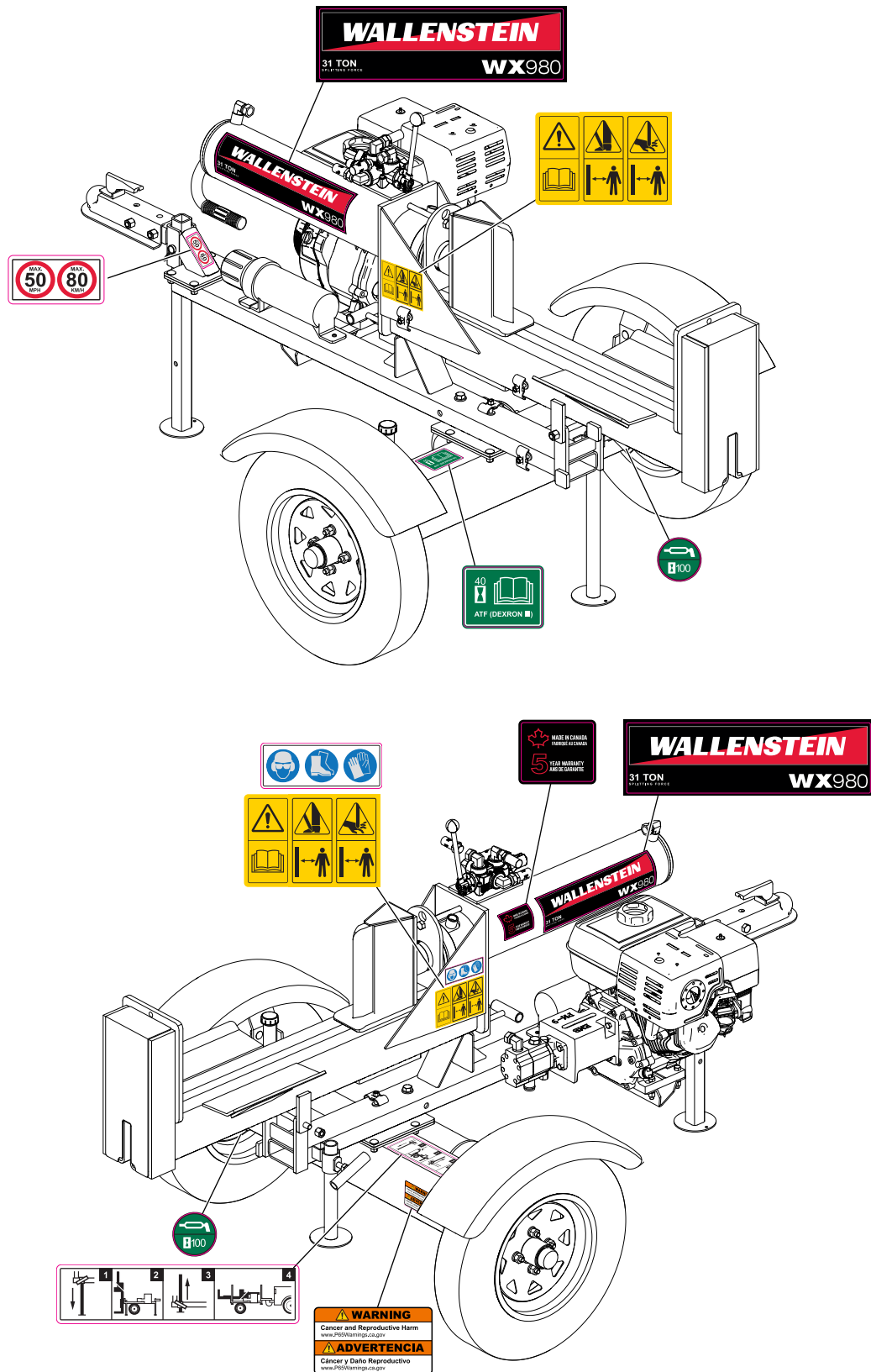


Item No.	Part No.	Description	Qty
1	2054W403	Light Guard, RH	1
2	2054L601	Light Bracket, RH	1
3	2054L402	Light Bracket, LH	1
4	Z61106	STTL Lamp, Square LH	1
5	Z61107	STT Lamp, Square RH	1
6	Z62105	Harness, 110" Lights	1
7	Z72231	Hex Lock Nut, 3/8NC	2
8	Z72941	Serrated Washer Nut, 1/4NC	4
9	Z76231	Carriage Bolt, 3/8NC x 1"	2
10	2054W404	Light Guard, LH	1
11	2054L622	Bracket, Light Base	1

Decal Layout

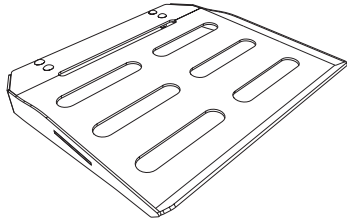
IMPORTANT! If parts are replaced that have safety signs on them, new signs must be applied. Safety signs must always be replaced if they become damaged, are removed, or become illegible.

Safety signs are included in the product decal kit available from your authorized dealer. Decals are not available separately.

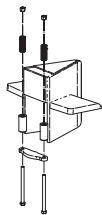


Accessories

Call your dealer for pricing and availability

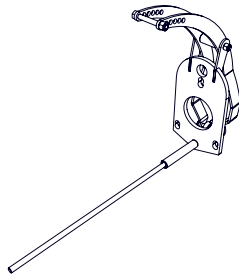


Clamp-on shelf extension – P/N W4211



4-Way Wedge – P/N W4130

Boost productivity and make quick work out of logs by splitting four pieces at once.



Splitter Stroke Limiter – P/N W4213

Manually set return stroke length. Reduce cycle time on shorter pieces.


Common Bolt Torque Values

Checking Bolt Torque

The tables shown give correct torque values for various bolts and capscrews. Tighten all bolts to the torque values specified in the table, unless indicated otherwise. Check tightness of bolts periodically.

IMPORTANT! If replacing hardware, use fasteners of the same grade.

IMPORTANT! Torque figures indicated in the table are for non-greased or non-oiled threads. Do not grease or oil threads unless indicated otherwise. When using a thread locker, increase torque values by 5%.

 **NOTE:** Bolt grades are identified by their head markings.

Imperial Bolt Torque Specifications

Bolt Diameter	Torque Value					
	SAE Gr. 2		SAE Gr. 5		SAE Gr. 8	
	lbf•ft	N•m	lbf•ft	N•m	lbf•ft	N•m
1/4"	6	8	9	12	12	17
5/16"	10	13	19	25	27	36
3/8"	20	27	33	45	45	63
7/16"	30	41	53	72	75	100
1/2"	45	61	80	110	115	155
9/16"	60	95	115	155	165	220
5/8"	95	128	160	215	220	305
3/4"	165	225	290	390	400	540
7/8"	170	230	420	570	650	880
1"	225	345	630	850	970	1320



SAE Gr. 2



SAE Gr. 5



SAE Gr. 8

Metric Bolt Torque Specifications

Bolt Diameter	Torque Value			
	Gr. 8.8		Gr. 10.9	
	lbf•ft	N•m	lbf•ft	N•m
M3	0.4	0.5	1.3	1.8
M4	2.2	3	3.3	4.5
M6	7	10	11	15
M8	18	25	26	35
M10	37	50	52	70
M12	66	90	92	125
M14	83	112	116	158
M16	166	225	229	310
M20	321	435	450	610
M30	1,103	1 495	1,550	2 100



8.8



10.9

Hydraulic Fitting Torque Values

Tightening Flare Type Tube Fittings

1. Check flare and flare seat for defects that might cause leakage.
2. Align tube with fitting before tightening.
3. Hand-tighten swivel nut until snug.
4. To prevent twisting the tube, use two wrenches. Place one wrench on the connector body and tighten the swivel nut with the second. Torque to values shown.

If a torque wrench is not available, use the FFFT (Flats From Finger Tight) method.

Tube Size OD	Hex Size Across Flats	Torque value		Flats From Finger Tight	
		lbf•ft	N•m	Flats	Turns
Inches	Inches				
3/16	7/16	6	8	2	1/6
1/4	9/16	11–12	15–17	2	1/6
5/16	5/8	14–16	19–22	2	1/6
3/8	11/16	20–22	27–30	1-1/4	1/6
1/2	7/8	44–48	59–65	1	1/6
5/8	1	50–58	68–79	1	1/6
3/4	1-1/4	79–88	107–119	1	1/8
1	1-5/8	117–125	158–170	1	1/8

Values shown are for non-lubricated connections.

Wheel Lug Torque Values

It is extremely important safety procedure to apply and maintain proper wheel mounting torque on your trailer axle. Torque wrenches are the best method to assure the proper amount of torque is being applied to a fastener.

Wheel lugs should be torqued before first road use and after each wheel removal. Check and re torque after the first 10 miles (16 km), 25 miles (40 km), and again at 50 miles (80 km). Check periodically thereafter.

NOTE: *Wheel lugs must be applied and maintained at the proper torque levels to prevent loose wheels, broken studs, and possible dangerous separation of wheels from your axle.*

- Start all lugs by hand to prevent cross threading.
- Tighten lugs in sequence, per wheel lug torque sequence chart.
- The tightening of the fasteners should be done in stages. Following the recommended sequence, tighten fasteners per wheel torque requirements chart.

Wheel Lug Nut Torque

Wheel Size	Units	1st Stage	2nd Stage	3rd Stage
8"	lbf•ft N•m	12–20 16–26	30–35 39–45.5	45–55 58.5–71.5
12"	lbf•ft N•m	20–25 26–32.5	35–40 45.5–52	50–60 65–78
13"	lbf•ft N•m	20–25 26–32.5	35–40 45.5–52	50–60 65–78
14"	lbf•ft N•m	20–25 26–32.5	50–60 65–78	90–120 117–156
15"	lbf•ft N•m	20–25 26–32.5	50–60 65–78	90–120 117–156
16"	lbf•ft N•m	20–25 26–32.5	50–60 65–78	90–120 117–156

Wheel Lug Torque Pattern

