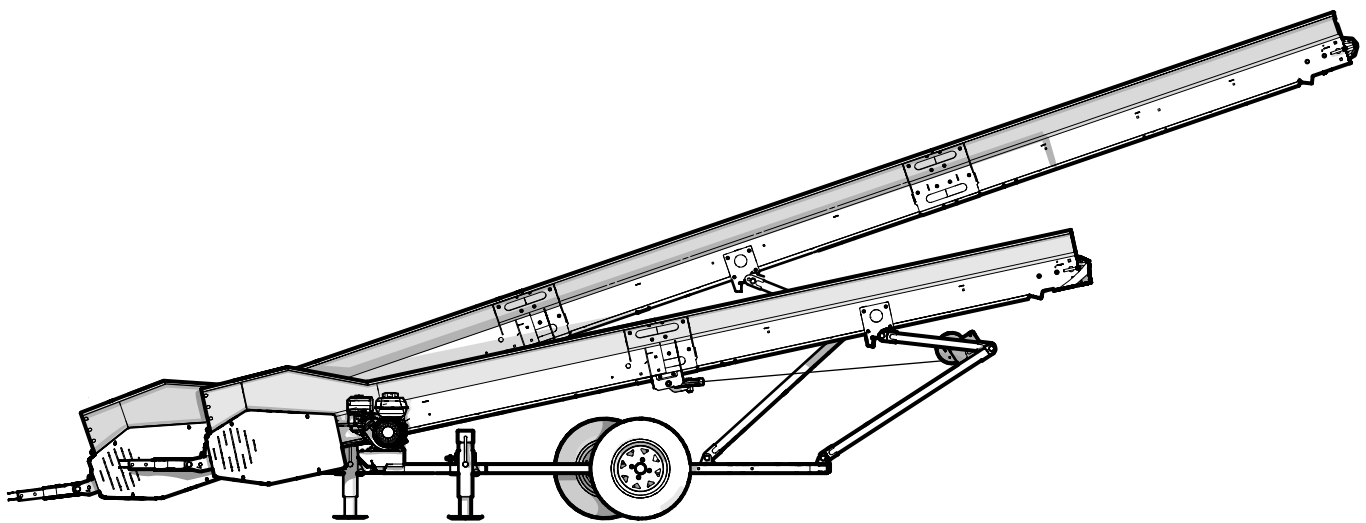


# PARTS MANUAL

---

Serial Number CT16B8, CT24B12 & up

## CT16B / CT24B Firewood Stacking Conveyor



## Foreword

This Wallenstein parts manual is prepared to assist customers in ordering quality OEM replacement parts.

Regular maintenance combined with replacing old, worn or broken parts with the correct OEM parts is essential in prolonging the life of your Wallenstein product. Refer to this manual to identify replacement parts.

To order parts, contact your Wallenstein dealer or distributor. Have the product model and serial number handy.

If your dealer is no longer available, please go to our website: <http://wallensteinequipment.com> and click on the [Dealer Locator](#) to find the nearest dealer.

All information contained in this parts manual is current as per the revision date at the bottom of the page. Wallenstein reserves the right to change product specifications at any time without notice.

If your product specifications differ from those contained in this manual, contact Wallenstein for current information.

Reproduction of information in this parts manual is prohibited without prior written permission from Wallenstein Equipment Inc.

Wallenstein Equipment Inc. • © 2022

## **WARNING!**

**Refer to the operators manual for safe operation and maintenance.**

**Maintenance should be performed by trained personnel only.**

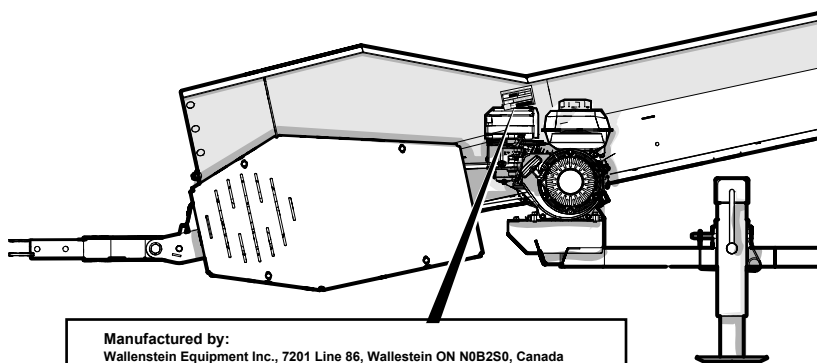
## Serial Number Location




Always provide the model and serial number of your Wallenstein product when ordering parts or requesting service or other information. This information is found on the product information plate as shown below.

**Record your product information here for future reference.**

**Model** \_\_\_\_\_

**Serial Number** \_\_\_\_\_



|  |   |
|--|---|
| Manufactured by:<br>Wallenstein Equipment Inc., 7201 Line 86, Wallenstein ON N0B2S0, Canada                |   |
| <b>MODEL: #####</b><br> | TYPE OF VEHICLE/TYPE DE VEHICULE:<br>TRA / REM<br>GAWR/PNBE (KG):    GVWR/PNBV (KG):<br>###                      ###  |
| DIMENSION- RIM/JANTE:<br>###   | TIRE/PNEU:<br>###   |
| COLD INFL. PRESS/PRESS DE<br>CONFLA A FROID (PSI/LPC):<br>###  | THIS VEHICLE CONFORMS TO ALL APPLICABLE STANDARDS<br>PRESCRIBED UNDER THE CANADIAN MOTOR SAFETY REGULATIONS<br>IN EFFECT ON THE DATE OF MANUFACTURE / CE VEHICULE EST<br>CONFORME A TOUTES LES NORMES QUI LUI SONT APPLICABLES EN<br>VERTU DU REGLEMENT SUR LA SECURITE DES VEHICLES<br>AUTOMOBILES DU CANADA EN VIGUEUR A LA DATE DE SA FABRICATION. |
|                         | <b>VIN/ NLV: #####</b><br>   |

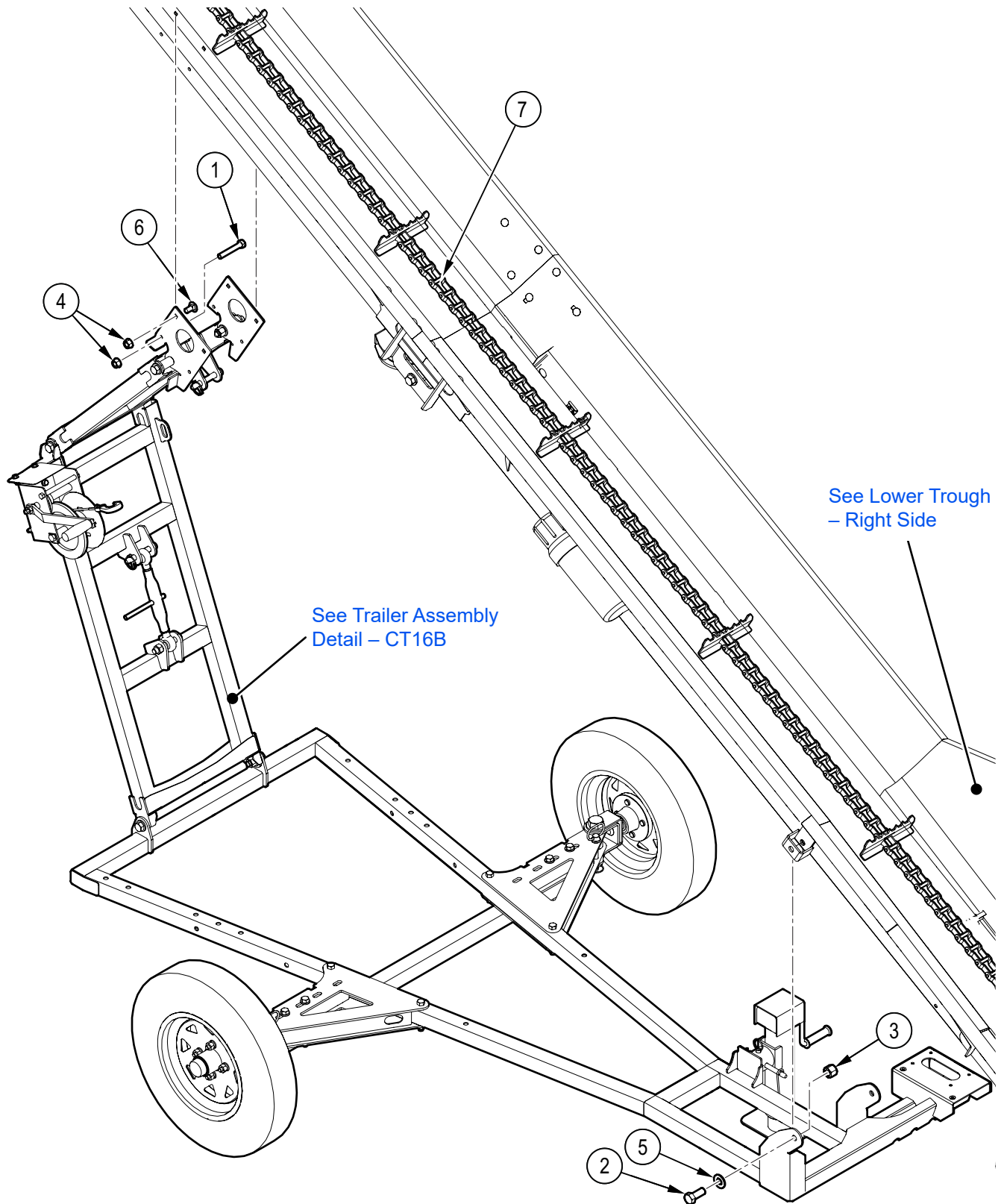
### Model and Serial Number Location

[www.wallensteinequipment.com](http://www.wallensteinequipment.com)

## Contents

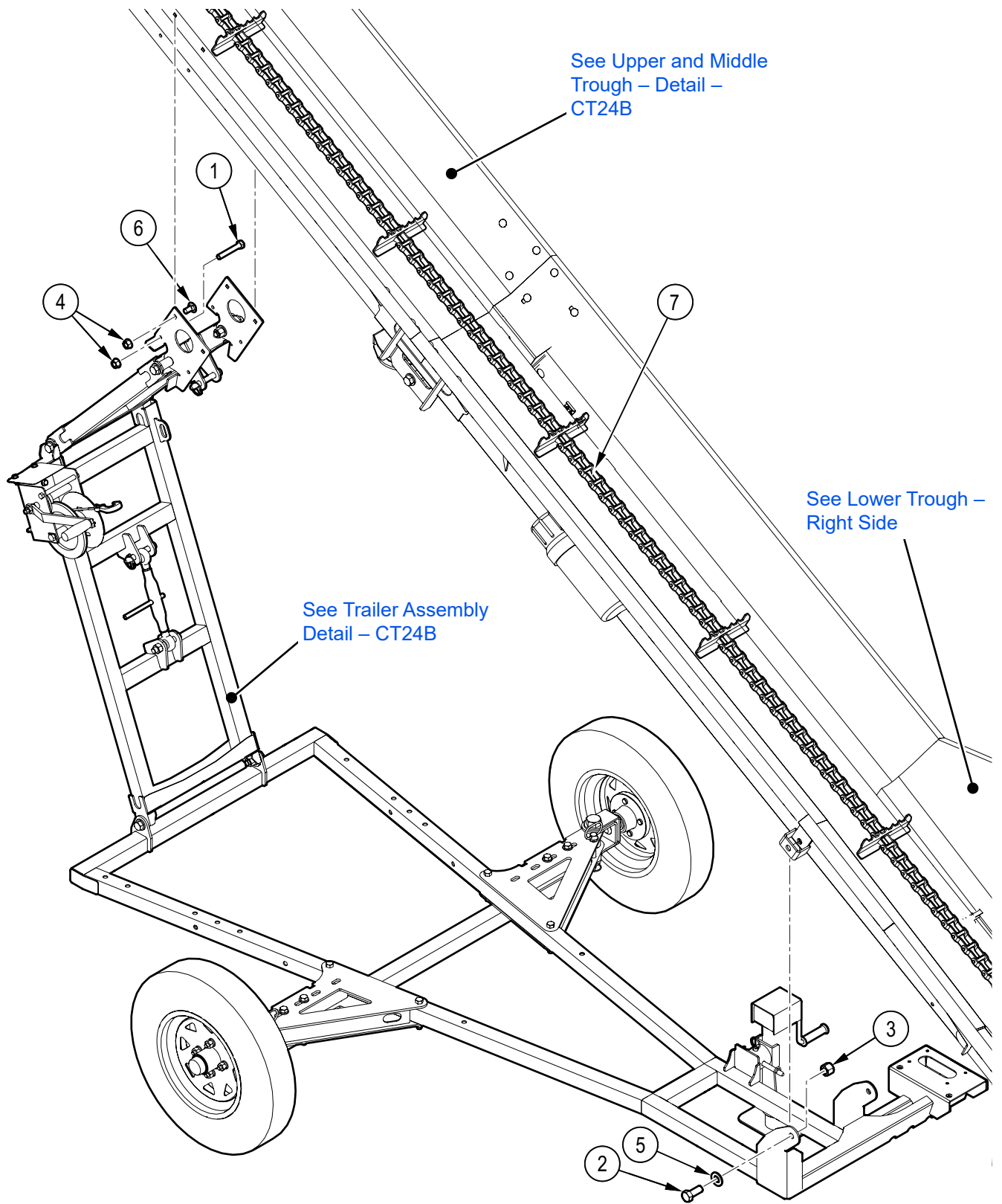
|   |           |
|---|-----------|
| <b>Main Parts – CT16B .....</b>                     | <b>4</b>  |
| <b>Main Parts – CT24B .....</b>                     | <b>5</b>  |
| <b>Trailer Assembly Detail – CT16B .....</b>        | <b>6</b>  |
| <b>Trailer Assembly Detail – CT24B .....</b>        | <b>7</b>  |
| <b>Folding Frame .....</b>                          | <b>8</b>  |
| <b>Upper and Middle Trough Detail – CT24B .....</b> | <b>9</b>  |
| <b>Lower Trough – Right Side .....</b>              | <b>10</b> |
| <b>Lower Trough – Left Side .....</b>               | <b>11</b> |
| <b>Engine and Driveline .....</b>                   | <b>12</b> |
| <b>Idler Sprocket Detail .....</b>                  | <b>13</b> |
| <b>Hub Detail .....</b>                             | <b>14</b> |
| <b>Decal Layout.....</b>                            | <b>15</b> |
| <b>Common Bolt Torque Values .....</b>              | <b>16</b> |
| <b>Wheel Lug Torque .....</b>                       | <b>17</b> |

Main Parts – CT16B



| Item No. | Part No. | Description                    | Qty | Item No. | Part No. | Description                 | Qty |
|----------|----------|--------------------------------|-----|----------|----------|-----------------------------|-----|
| 1        | Z71322   | Hex Bolt, 3/8NC x 2-1/4"       | 4   | 5        | Z73161   | SAE Washer, 5/8"            | 2   |
| 2        | Z71615   | Hex Bolt, 5/8NC x 1-1/2"       | 2   | 6        | Z76233   | Carriage Bolt, 3/8NC x 3/4" | 4   |
| 3        | Z72261   | Hex Lock Nut, 5/8NC            | 2   | 7        | 2280W257 | 16ft Conveyor Chain         | 1   |
| 4        | Z72531   | Serrated Flange Locknut, 3/8NC | 8   |          |          |                             |     |

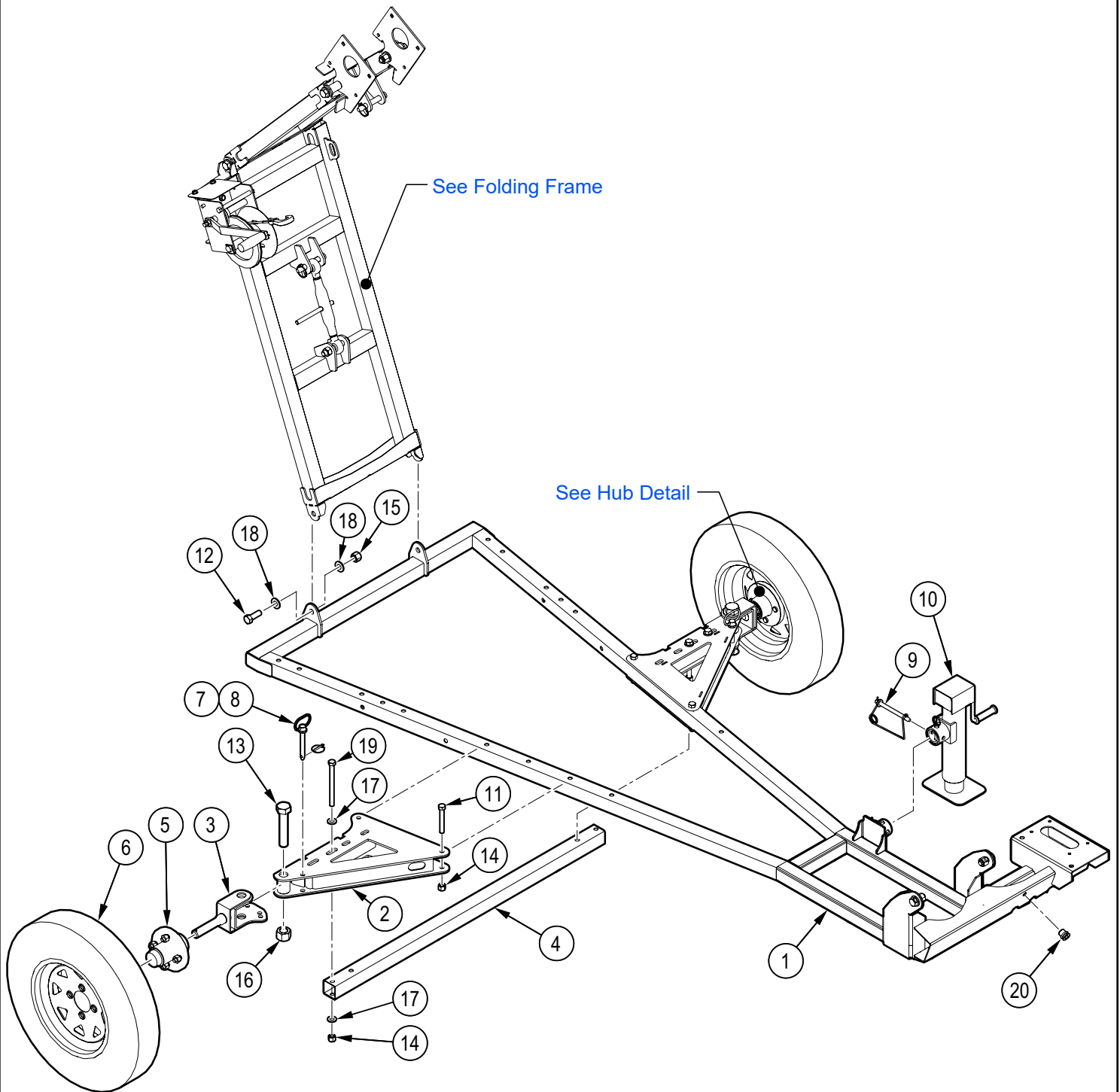
**Main Parts – CT24B**



| Item No. | Part No. | Description                    | Qty |
|----------|----------|--------------------------------|-----|
| 1        | Z71322   | Hex Bolt, 3/8NC x 2-1/4"       | 4   |
| 2        | Z71615   | Hex Bolt, 5/8NC x 1-1/2"       | 2   |
| 3        | Z72261   | Hex Lock Nut, 5/8NC            | 2   |
| 4        | Z72531   | Serrated Flange Locknut, 3/8NC | 8   |

| Item No. | Part No. | Description                 | Qty |
|----------|----------|-----------------------------|-----|
| 5        | Z73161   | SAE Washer, 5/8"            | 2   |
| 6        | Z76233   | Carriage Bolt, 3/8NC x 3/4" | 4   |
| 7        | 2280W258 | 24ft Conveyor Chain         | 1   |

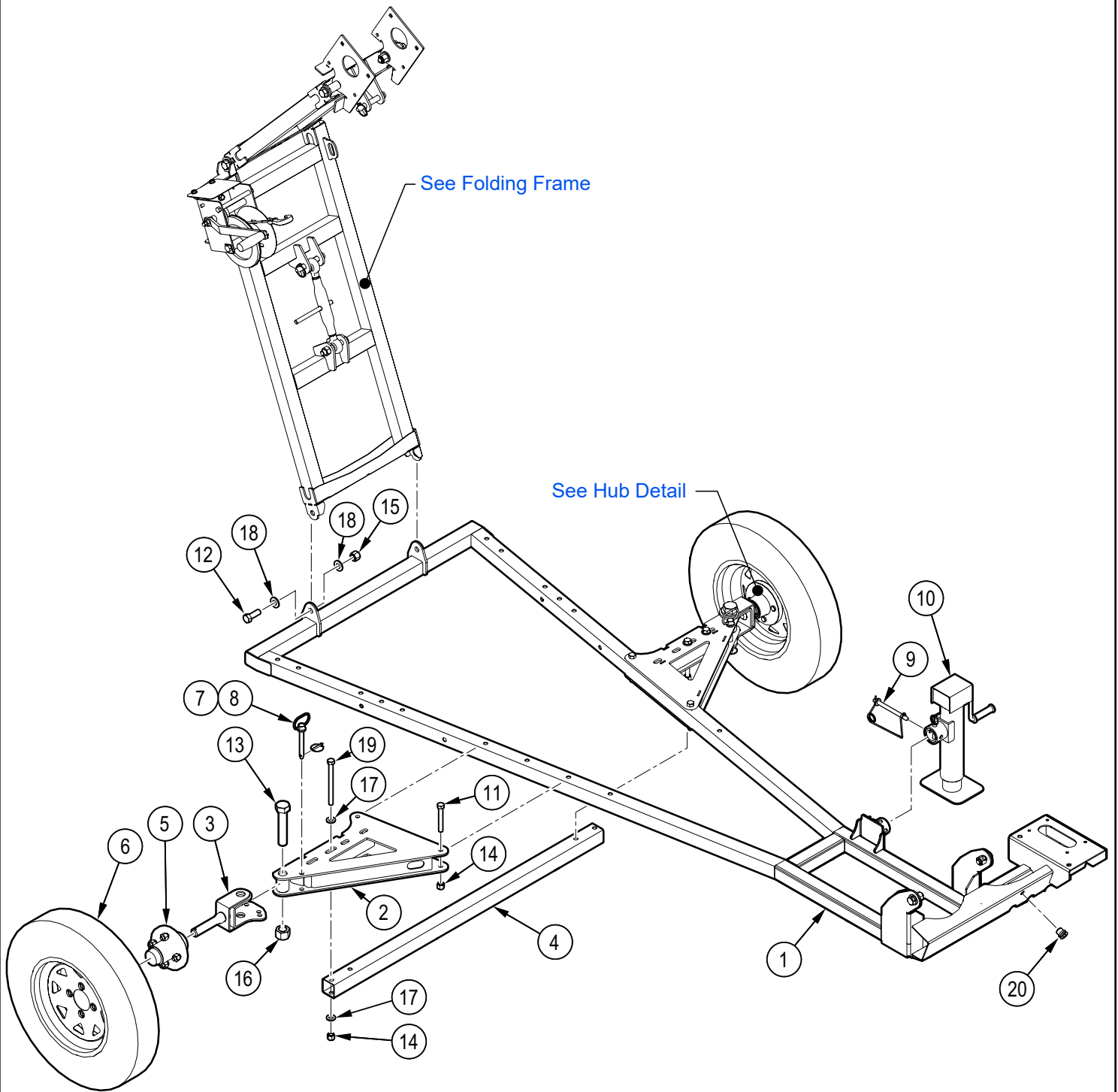
**Trailer Assembly Detail – CT16B**



| Item No. | Part No. | Description                            | Qty |
|----------|----------|--|-----|
| 1        | 2280W249 | Wheel Base Frame                       | 1   |
| 2        | 2280W252 | Axle                                   | 2   |
| 3        | 2280W202 | Wheel Rotator                          | 2   |
| 4        | 2280W254 | Spanner Bar                            | 1   |
| 5        | Z91202   | Idler Hub Assy, 1000lbs x 4on4" x 1"   | 2   |
| 6        | Z91322   | 5.30-12 LRC USA Trail 4on4" (E-Marked) | 2   |
| 7        | Z11222   | Hitch Pin, 1/2" x 3-1/2"               | 2   |
| 8        | Z12110   | Lynch Pin, 3/16"                       | 2   |
| 9        | Z12441   | Snap Lock Pin, 1/2" x 4-1/2"           | 1   |
| 10       | Z91512   | Trailer Jack, Side Wind x 2000lbs      | 1   |

| Item No. | Part No. | Description              | Qty |
|----------|----------|--------------------------|-----|
| 11       | Z71535   | Hex Bolt, 1/2NC x 3-1/2" | 4   |
| 12       | Z71617   | Hex Bolt, 5/8NC x 1-3/4" | 2   |
| 13       | Z71912   | Hex Bolt, 1NC x 5"       | 2   |
| 14       | Z72251   | Hex Lock Nut, 1/2NC      | 8   |
| 15       | Z72261   | Hex Lock Nut, 5/8NC      | 2   |
| 16       | Z72291   | Hex Lock Nut, 1NC        | 2   |
| 17       | Z73151   | SAE Washer, 1/2"         | 8   |
| 18       | Z73161   | SAE Washer, 5/8"         | 4   |
| 19       | Z71560   | Hex Bolt, 1/2NC x 6"     | 4   |
| 20       | Z71560   | Rivet Nut, 5/16NC x 150  | 1   |

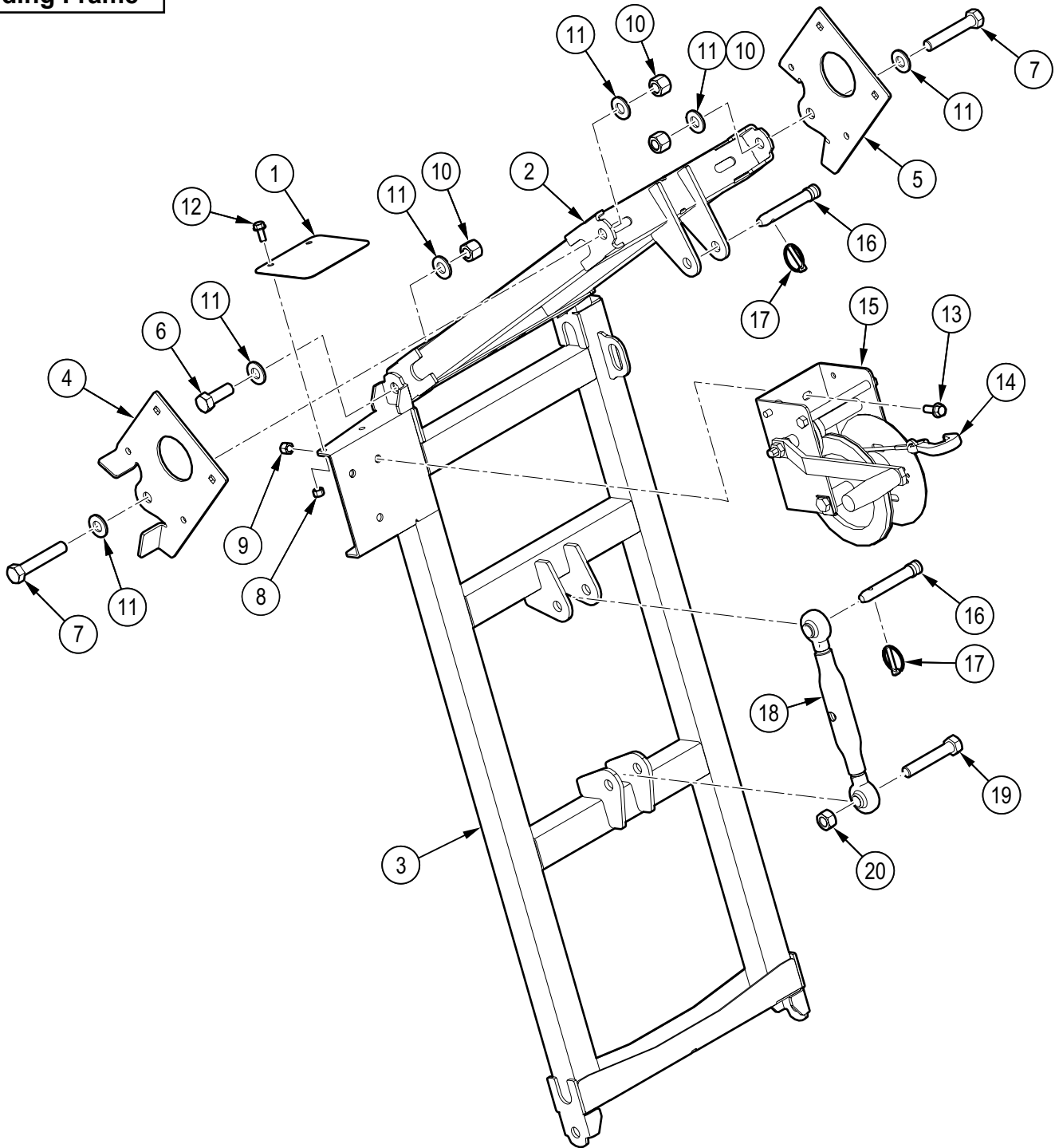
**Trailer Assembly Detail – CT24B**



| Item No. | Part No. | Description                            | Qty |
|----------|----------|--|-----|
| 1        | 2280W249 | Wheel Base Frame                       | 1   |
| 2        | 2280W252 | Axle                                   | 2   |
| 3        | 2280W202 | Wheel Rotator                          | 2   |
| 4        | 2280W254 | Spanner Bar                            | 1   |
| 5        | Z91202   | Idler Hub Assy, 1000lbs x 4on4" x 1"   | 2   |
| 6        | Z91322   | 5.30-12 LRC USA Trail 4on4" (E-Marked) | 2   |
| 7        | Z11222   | Hitch Pin, 1/2" x 3-1/2"               | 2   |
| 8        | Z12110   | Lynch Pin, 3/16"                       | 2   |
| 9        | Z12441   | Snap Lock Pin, 1/2" x 4-1/2"           | 1   |
| 10       | Z91512   | Trailer Jack, Side Wind x 2000lbs      | 1   |

| Item No. | Part No. | Description              | Qty |
|----------|----------|--------------------------|-----|
| 11       | Z71535   | Hex Bolt, 1/2NC x 3-1/2" | 4   |
| 12       | Z71617   | Hex Bolt, 5/8NC x 1-3/4" | 2   |
| 13       | Z71912   | Hex Bolt, 1NC x 5"       | 2   |
| 14       | Z72251   | Hex Lock Nut, 1/2NC      | 8   |
| 15       | Z72261   | Hex Lock Nut, 5/8NC      | 2   |
| 16       | Z72291   | Hex Lock Nut, 1NC        | 2   |
| 17       | Z73151   | SAE Washer, 1/2"         | 8   |
| 18       | Z73161   | SAE Washer, 5/8"         | 4   |
| 19       | Z71560   | Hex Bolt, 1/2NC x 6"     | 4   |
| 20       | Z71560   | Rivet Nut, 5/16NC x 150  | 1   |

**Folding Frame**

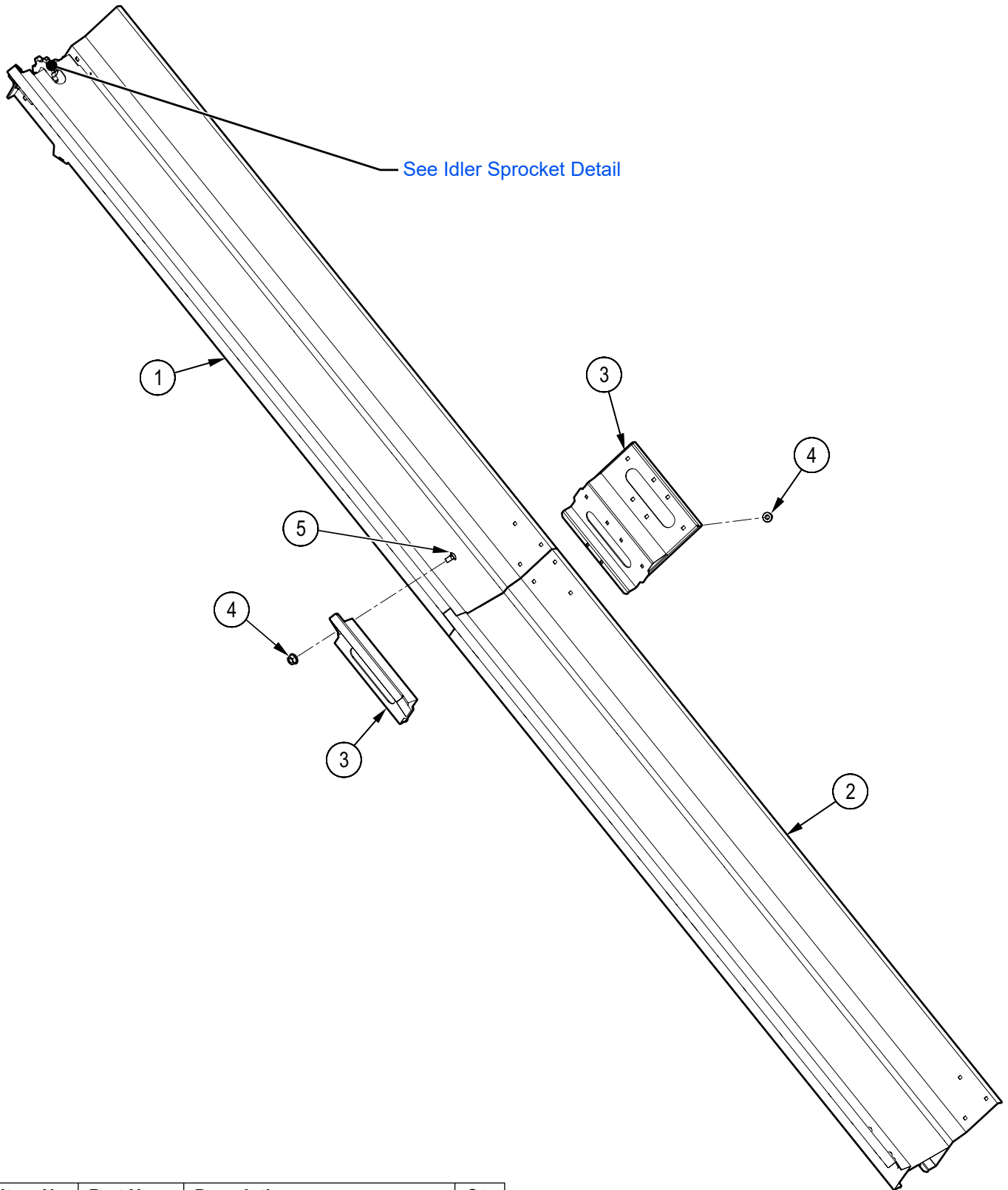


| Item No. | Part No.  | Description              | Qty |
|----------|-----------|--------------------------|-----|
| 1        | 2280L277  | Guard, Finger            | 1   |
| 2        | 2280W203  | Top Folding Frame        | 1   |
| 3        | 2280W204  | Bottom Folding Frame     | 1   |
| 4        | 2280W253  | Folding Stop             | 1   |
| 5        | 2280W253H | Mirror                   | 1   |
| 6        | Z71617    | Hex Bolt, 5/8NC x 1-3/4" | 2   |
| 7        | Z71635    | Hex Bolt, 5/8NC x 3-1/2" | 2   |
| 8        | Z72221    | Hex Lock Nut, 5/16NC     | 2   |
| 9        | Z72231    | Hex Lock Nut, 3/8NC      | 3   |
| 10       | Z72261    | Hex Lock Nut, 5/8NC      | 4   |

| Item No. | Part No. | Description                         | Qty |
|----------|----------|-------------------------------------|-----|
| 11       | Z73161   | SAE Washer, 5/8"                    | 8   |
| 12       | Z76121   | Flange Bolt, 5/16NC x 3/4"          | 2   |
| 13       | Z76134   | Flange Bolt, 3/8NC x 1"             | 3   |
| 14       | Z92129   | Winch Cable, 3/16" x 25ft with Hook | 1   |
| 15       | Z92906   | Hand Winch, 1500lbs With Brake      | 1   |
| 16       | Z11111   | Toplink Pin, 5/8" x 2-3/4"          | 2   |
| 17       | Z12120   | Lynch Pin, 1/4"                     | 2   |
| 18       | Z11501   | Cat 0 Toplink                       | 1   |
| 19       | Z71635   | Hex Bolt, 5/8NC x 3-1/2"            | 1   |
| 20       | Z72161   | Hex Nut, 5/8NC                      | 1   |

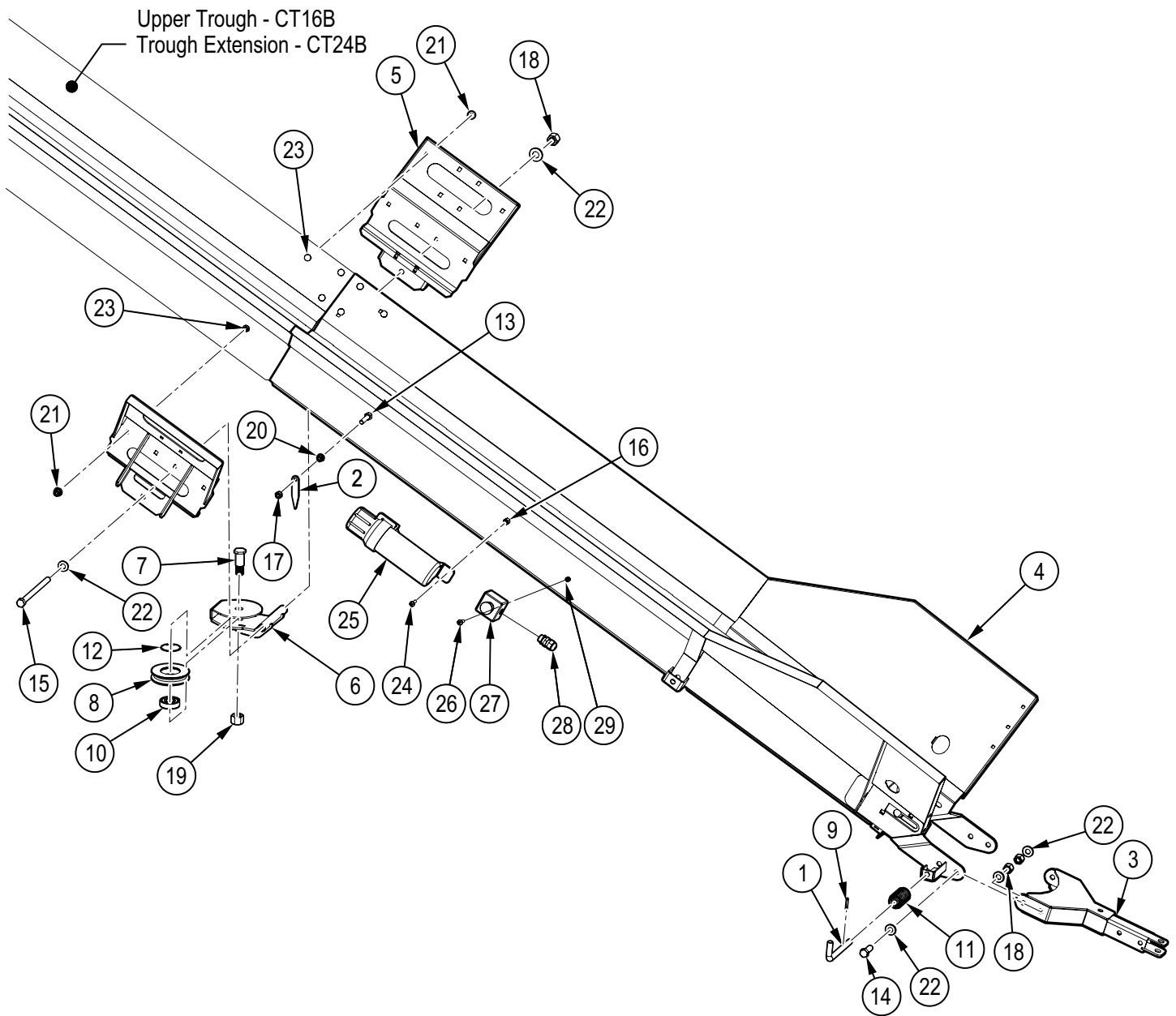


Upper and Middle Trough Detail – CT24B



| Item No. | Part No. | Description                    | Qty |
|----------|----------|--------------------------------|-----|
| 1        | 2280W244 | Upper Trough Trailer           | 1   |
| 2        | 2280W225 | Trough Extension               | 1   |
| 3        | 2280L224 | Joiner Lifter Side RH          | 2   |
| 4        | Z72531   | Serrated Flange Locknut, 3/8NC | 24  |
| 5        | Z76233   | Carriage Bolt, 3/8NC x 3/4"    | 24  |

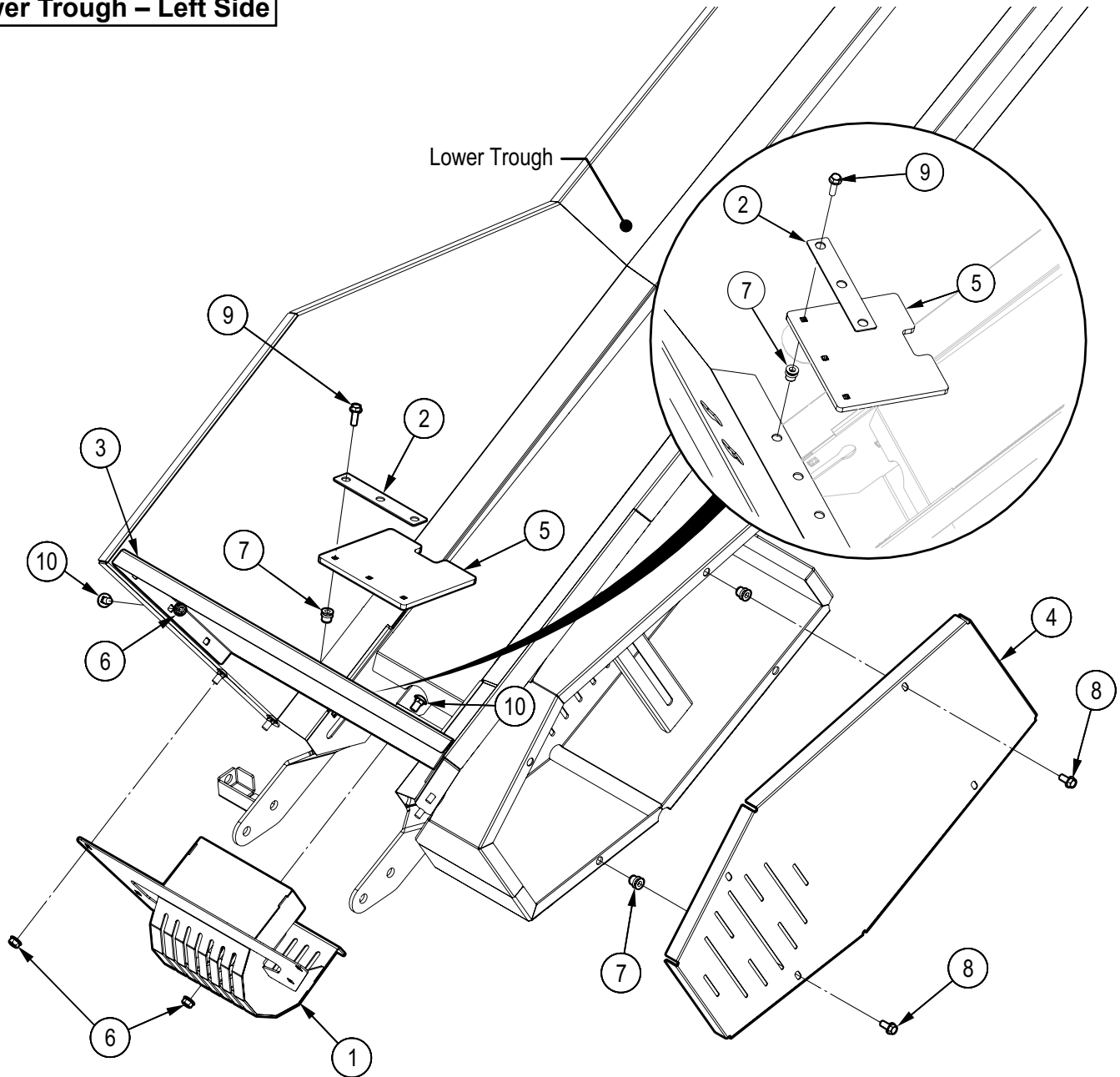
**Lower Trough – Right Side**



| Item No. | Part No. | Description                              | Qty |
|----------|----------|--|-----|
| 1        | 1026M102 | L Handed Plunger, Compact                | 1   |
| 2        | 2280L184 | Indicator, Angle                         | 1   |
| 3        | 2280W226 | Hitch                                    | 1   |
| 4        | 2280W242 | Trailer Lower Trough                     | 1   |
| 5        | 2280W250 | Joiner, Pulley Base                      | 2   |
| 6        | 2280W251 | Frame, Snatchblock                       | 1   |
| 7        | 5011M815 | Snatch Block, Pulley Pin                 | 1   |
| 8        | 5011M816 | Cable Pulley                             | 1   |
| 9        | Z14151   | Roll Pin, 3/16" x 1-1/2"                 | 1   |
| 10       | Z21201   | Ball Bearing, 6305-2RS                   | 1   |
| 11       | Z32305   | Comp Spring, 0.845" OD x 3-1/2" x 0.085" | 1   |
| 12       | Z46101   | Internal Retaining Ring, 2-7/16"         | 1   |
| 13       | Z71212   | Hex Bolt 5/16NC x 1 1/4"                 | 1   |
| 14       | Z71617   | Hex Bolt, 5/8NC x 1-3/4"                 | 2   |

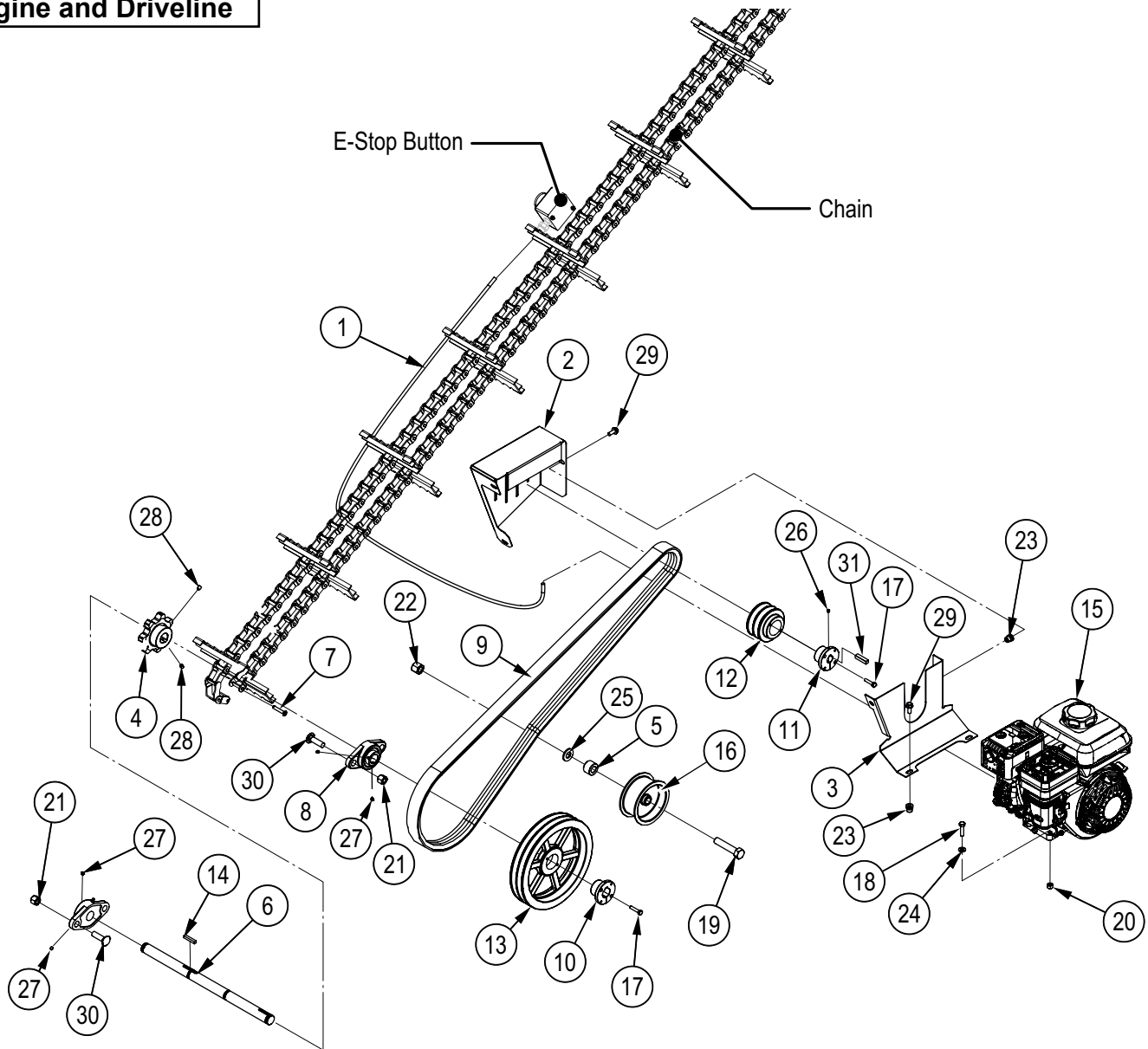
| Item No. | Part No. | Description                     | Qty |
|----------|----------|---------------------------------|-----|
| 16       | Z72211   | Hex Lock Nut, 1/4NC             | 2   |
| 17       | Z72221   | Hex Lock Nut, 5/16NC            | 1   |
| 18       | Z72261   | Hex Lock Nut, 5/8NC             | 3   |
| 19       | Z72281   | Hex Lock Nut, 7/8NC             | 1   |
| 20       | Z72521   | Serrated Flange Locknut, 5/16NC | 1   |
| 21       | Z72531   | Serrated Flange Locknut, 3/8NC  | 24  |
| 22       | Z73161   | SAE Washer, 5/8"                | 6   |
| 23       | Z76233   | Carriage Bolt, 3/8NC x 3/4"     | 24  |
| 24       | Z78301   | Machine Screw, 1/4NC x 3/4"     | 2   |
| 25       | Z96503   | Manual Tube, 3-1/2" Short       | 1   |
| 26       | Z78309   | Machine Screw, #8NC x 1/2"      | 2   |
| 27       | Z66114   | E-Stop Button, N/O Contact      | 1   |
| 28       | Z62820   | Straight Fitting, 3/8" Wire     | 1   |
| 29       | Z72202   | Hex Lock Nut, #8NC              | 2   |

Lower Trough – Left Side



| Item No. | Part No. | Description                    | Qty | Item No. | Part No. | Description                    | Qty |
|----------|----------|--------------------------------|-----|----------|----------|--------------------------------|-----|
| 1        | 2280W117 | Bottom Sprocket Enclosure      | 1   | 6        | Z72531   | Serrated Flange Locknut, 3/8NC | 12  |
| 2        | 2280L158 | Rubber Mount, Bottom Enclosure | 1   | 7        | Z72956   | Rivet Nut, 5/16NC x 150        | 7   |
| 3        | 2280L221 | Backer Plate                   | 1   | 8        | Z76121   | Flange Bolt, 5/16NC x 3/4"     | 4   |
| 4        | 2280L258 | Shield, Belt                   | 1   | 9        | Z76125   | Flange Bolt, 5/16NC x 1"       | 3   |
| 5        | 2280S103 | Trough Flap, Rubber            | 1   | 10       | Z76233   | Carriage Bolt, 3/8NC x 3/4"    | 12  |

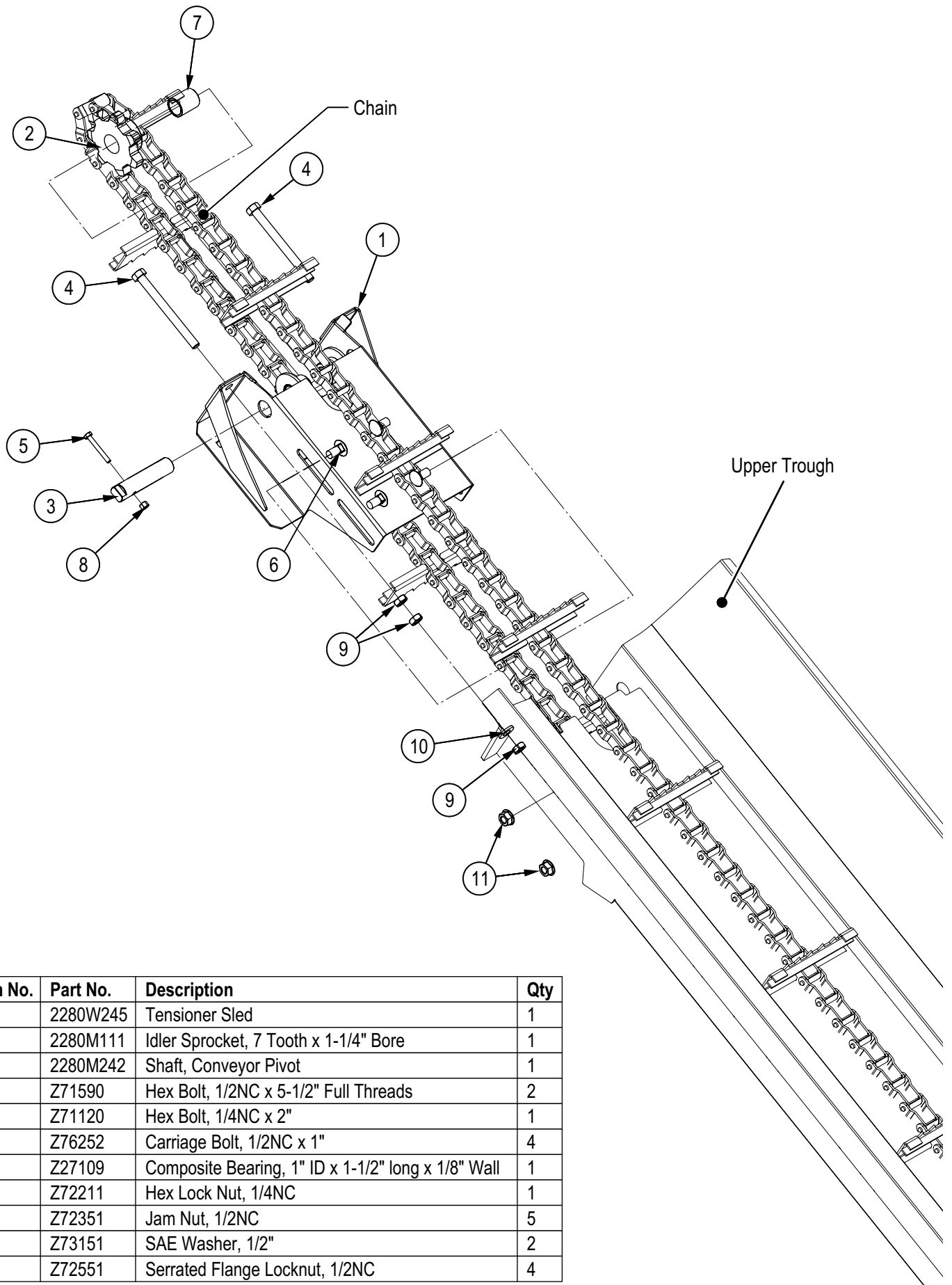
## Engine and Driveline



| Item No. | Part No. | Description                        | Qty |
|----------|----------|------------------------------------|-----|
| 1        | 2280F258 | Harness, Kill Switch               | 1   |
| 2        | 2280L259 | Shield, Engine Pulley              | 1   |
| 3        | 2280L269 | Subplate, Belt Shield              | 1   |
| 4        | 2280M110 | Sprocket, 7 Tooth x 1" Bore        | 1   |
| 5        | 2280M245 | Spacer, Idler Bearing              | 1   |
| 6        | 2280M248 | Shaft, Conveyor Drive              | 1   |
| 7        | 7011M302 | Pin, 662 Chain Clevis              | 1   |
| 8        | Z25101   | 2-Bolt Flange Bearing, UCFL205-16  | 2   |
| 9        | Z41264   | Belt, 2B x 85"                     | 1   |
| 10       | Z41510   | Hub, L x 1"                        | 1   |
| 11       | Z41513   | Hub, L x 3/4"                      | 1   |
| 12       | Z41714   | Double Sheave, 2MBL33 x L          | 1   |
| 13       | Z41712   | Double Sheave, 2MBL97 x L          | 1   |
| 14       | Z46532   | Key, 1/4" x 1/4" x 1-1/2"          | 1   |
| 15       | Z47174   | GX120HX, 6:1 x Rope                | 1   |
| 16       | Z49104   | Idler Assembly, 4" x 1-7/8" x 5/8" | 1   |

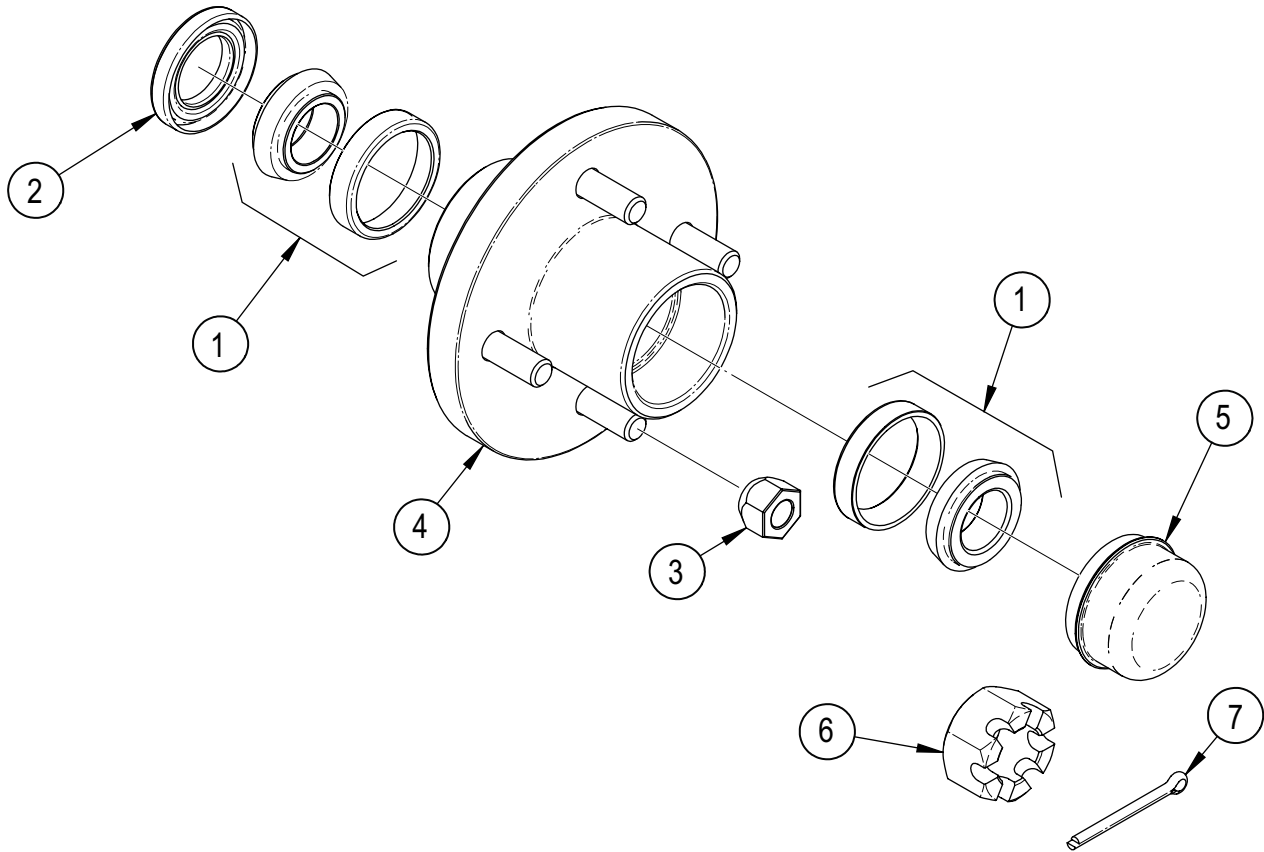
| Item No. | Part No. | Description                   | Qty |
|----------|----------|-------------------------------|-----|
| 17       | Z71112   | Hex Bolt, 1/4NC x 1-1/4"      | 4   |
| 18       | Z71212   | Hex Bolt, 5/16NC x 1-1/4"     | 4   |
| 19       | Z71630   | Hex Bolt, 5/8NC x 3"          | 1   |
| 20       | Z72221   | Hex Lock Nut, 5/16NC          | 4   |
| 21       | Z72251   | Hex Lock Nut, 1/2NC           | 4   |
| 22       | Z72261   | Hex Lock Nut, 5/8NC           | 1   |
| 23       | Z72956   | Rivet Nut, 5/16NC x 150       | 4   |
| 24       | Z73122   | SAE Washer, 5/16"             | 4   |
| 25       | Z73161   | SAE Washer, 5/8"              | 1   |
| 26       | Z74111   | Set Screw, 1/4NC x 1/4"       | 1   |
| 27       | Z74112   | Set Screw, 1/4NF x 1/4"       | 4   |
| 28       | Z74121   | Set Screw, 5/16NC x 3/8"      | 2   |
| 29       | Z76121   | Flange Bolt, 5/16NC x 3/4"    | 5   |
| 30       | Z76258   | Carriage Bolt, 1/2NC x 1-3/4" | 4   |
| 31       | Z46523   | Key, 3/16" x 3/16" x 1-1/2"   | 1   |

**Idler Sprocket Detail**



| Item No. | Part No. | Description  | Qty |
|----------|----------|--|-----|
| 1        | 2280W245 | Tensioner Sled                                     | 1   |
| 2        | 2280M111 | Idler Sprocket, 7 Tooth x 1-1/4" Bore              | 1   |
| 3        | 2280M242 | Shaft, Conveyor Pivot                              | 1   |
| 4        | Z71590   | Hex Bolt, 1/2NC x 5-1/2" Full Threads              | 2   |
| 5        | Z71120   | Hex Bolt, 1/4NC x 2"                               | 1   |
| 6        | Z76252   | Carriage Bolt, 1/2NC x 1"                          | 4   |
| 7        | Z27109   | Composite Bearing, 1" ID x 1-1/2" long x 1/8" Wall | 1   |
| 8        | Z72211   | Hex Lock Nut, 1/4NC                                | 1   |
| 9        | Z72351   | Jam Nut, 1/2NC                                     | 5   |
| 10       | Z73151   | SAE Washer, 1/2"                                   | 2   |
| 11       | Z72551   | Serrated Flange Locknut, 1/2NC                     | 4   |

Hub Detail

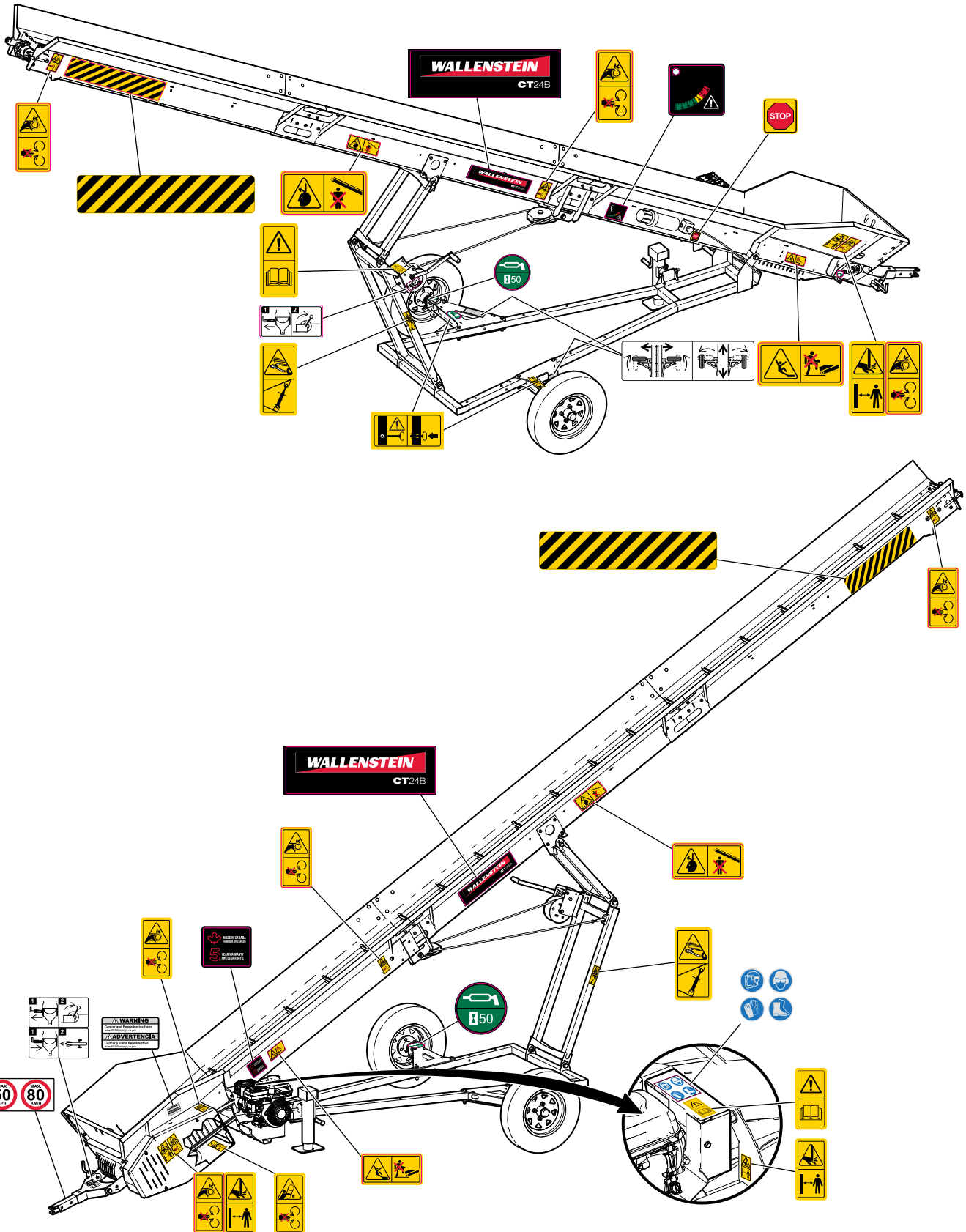


| Item No. | Part No. | Description                 | Qty |
|----------|----------|-----------------------------|-----|
| 1        | Z23201   | L44643 Cone, L44610 Cup     | 2   |
| 2        | Z28301   | Double Lip Seal 1-1/4 Shaft | 1   |
| 3        | Z72931   | Lug Nut 1/2NF               | 4   |
| 4        | Z91201   | 1000# 4-Bolt Hub            | 1   |
| 5        | Z91801   | Dust Cap 1.98 Bore          | 1   |
| 6        | Z72691   | Slotted Hex Nut 1NF         | 1   |
| 7        | Z12322   | Cotter Pin 3/16 X 2         | 1   |

### Decal Layout

**IMPORTANT!** If parts are replaced that have safety signs on them, new signs must be applied. Safety signs must always be replaced if they become damaged, are removed, or become illegible.

Safety signs are included in the product decal kit available from your authorized dealer. Decals are not available separately.




## Common Bolt Torque Values

### Checking Bolt Torque

The tables shown give correct torque values for various bolts and capscrews. Tighten all bolts to the torque values specified in the table, unless indicated otherwise. Check tightness of bolts periodically.

**IMPORTANT!** If replacing hardware, use fasteners of the same grade.

**IMPORTANT!** Torque figures indicated in the table are for non-greased or non-oiled threads. Do not grease or oil threads unless indicated otherwise. When using a thread locker, increase torque values by 5%.

 **NOTE:** Bolt grades are identified by their head markings.

### Imperial Bolt Torque Specifications

| Bolt Diameter | Torque Value |     |           |     |           |      |
|---------------|--------------|-----|-----------|-----|-----------|------|
|               | SAE Gr. 2    |     | SAE Gr. 5 |     | SAE Gr. 8 |      |
|               | lbf•ft       | N•m | lbf•ft    | N•m | lbf•ft    | N•m  |
| 1/4"          | 6            | 8   | 9         | 12  | 12        | 17   |
| 5/16"         | 10           | 13  | 19        | 25  | 27        | 36   |
| 3/8"          | 20           | 27  | 33        | 45  | 45        | 63   |
| 7/16"         | 30           | 41  | 53        | 72  | 75        | 100  |
| 1/2"          | 45           | 61  | 80        | 110 | 115       | 155  |
| 9/16"         | 60           | 95  | 115       | 155 | 165       | 220  |
| 5/8"          | 95           | 128 | 160       | 215 | 220       | 305  |
| 3/4"          | 165          | 225 | 290       | 390 | 400       | 540  |
| 7/8"          | 170          | 230 | 420       | 570 | 650       | 880  |
| 1"            | 225          | 345 | 630       | 850 | 970       | 1320 |



SAE Gr. 2



SAE Gr. 5



SAE Gr. 8

### Metric Bolt Torque Specifications

| Bolt Diameter | Torque Value |       |          |       |
|---------------|--------------|-------|----------|-------|
|               | Gr. 8.8      |       | Gr. 10.9 |       |
|               | lbf•ft       | N•m   | lbf•ft   | N•m   |
| M3            | 0.4          | 0.5   | 1.3      | 1.8   |
| M4            | 2.2          | 3     | 3.3      | 4.5   |
| M6            | 7            | 10    | 11       | 15    |
| M8            | 18           | 25    | 26       | 35    |
| M10           | 37           | 50    | 52       | 70    |
| M12           | 66           | 90    | 92       | 125   |
| M14           | 83           | 112   | 116      | 158   |
| M16           | 166          | 225   | 229      | 310   |
| M20           | 321          | 435   | 450      | 610   |
| M30           | 1,103        | 1 495 | 1,550    | 2 100 |



8.8



10.9



### Wheel Lug Torque

It is extremely important safety procedure to apply and maintain proper wheel mounting torque on your trailer axle. Torque wrenches are the best method to assure the proper amount of torque is being applied to a fastener.

Wheel lugs should be torqued before first road use and after each wheel removal. Check and re torque after the first 10 miles (16 km), 25 miles (40 km), and again at 50 miles (80 km). Check periodically thereafter.

**NOTE:** *Wheel lugs must be applied and maintained at the proper torque levels to prevent loose wheels, broken studs, and possible dangerous separation of wheels from your axle.*

- Start all lugs by hand to prevent cross threading.
- Tighten lugs in sequence, per wheel lug torque sequence chart.
- The tightening of the fasteners should be done in stages. Following the recommended sequence, tighten fasteners per wheel torque requirements chart.

| Wheel Lug Nut Torque |               |                  |                  |                    |
|----------------------|---------------|------------------|------------------|--------------------|
| Wheel Size           | Units         | 1st Stage        | 2nd Stage        | 3rd Stage          |
| 8"                   | lbf•ft<br>N•m | 12–20<br>16–26   | 30–35<br>39–45.5 | 45–55<br>58.5–71.5 |
| 12"                  | lbf•ft<br>N•m | 20–25<br>26–32.5 | 35–40<br>45.5–52 | 50–60<br>65–78     |
| 13"                  | lbf•ft<br>N•m | 20–25<br>26–32.5 | 35–40<br>45.5–52 | 50–60<br>65–78     |
| 14"                  | lbf•ft<br>N•m | 20–25<br>26–32.5 | 50–60<br>65–78   | 90–120<br>117–156  |
| 15"                  | lbf•ft<br>N•m | 20–25<br>26–32.5 | 50–60<br>65–78   | 90–120<br>117–156  |
| 16"                  | lbf•ft<br>N•m | 20–25<br>26–32.5 | 50–60<br>65–78   | 90–120<br>117–156  |

Wheel Lug Torque Pattern

