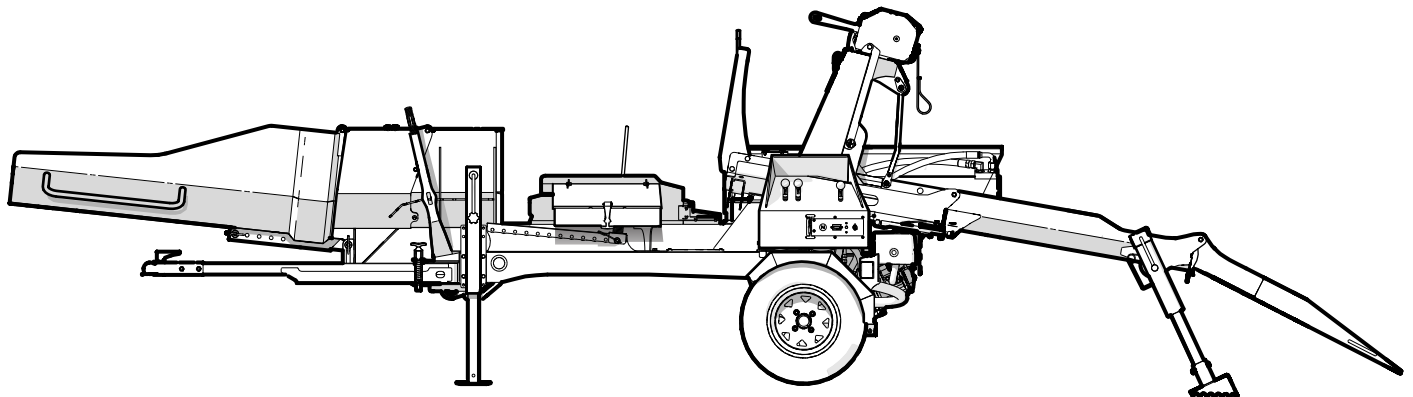


PARTS MANUAL

Serial Number 2E9US1116HS870001 & up

WP870 FIREWOOD PROCESSOR



Foreword

This Wallenstein parts manual is prepared to assist customers in ordering quality OEM replacement parts.

Regular maintenance combined with replacing old, worn or broken parts with the correct OEM parts is essential in prolonging the life of your Wallenstein product. Refer to this manual to identify replacement parts.

To order parts, contact your Wallenstein dealer or distributor. Have the product model and serial number handy.

If your dealer is no longer available, please go to our website: <http://wallensteinequipment.com> and click on the [Dealer Locator](#) to find the nearest dealer.

All information contained in this parts manual is current as per the revision date at the bottom of the page. Wallenstein reserves the right to change product specifications at any time without notice.

If your product specifications differ from those contained in this manual, contact Wallenstein for current information.

Reproduction of information in this parts manual is prohibited without prior written permission from Wallenstein Equipment Inc.

Wallenstein Equipment Inc. • © 2019

WARNING!

Refer to the operators manual for safe operation and maintenance.

Maintenance should be performed by trained personnel only.

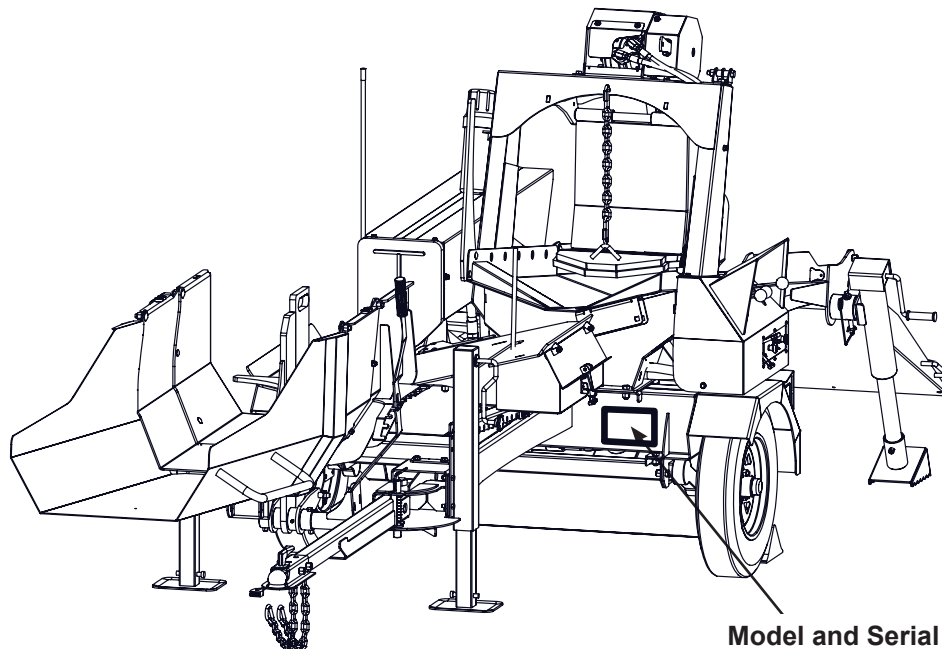
Serial Number Location

Always provide the model and serial number of your Wallenstein product when ordering parts or requesting service or other information. This information is found on the product information plate as shown below.

Record your product information here for future reference.

Model _____

Serial Number _____



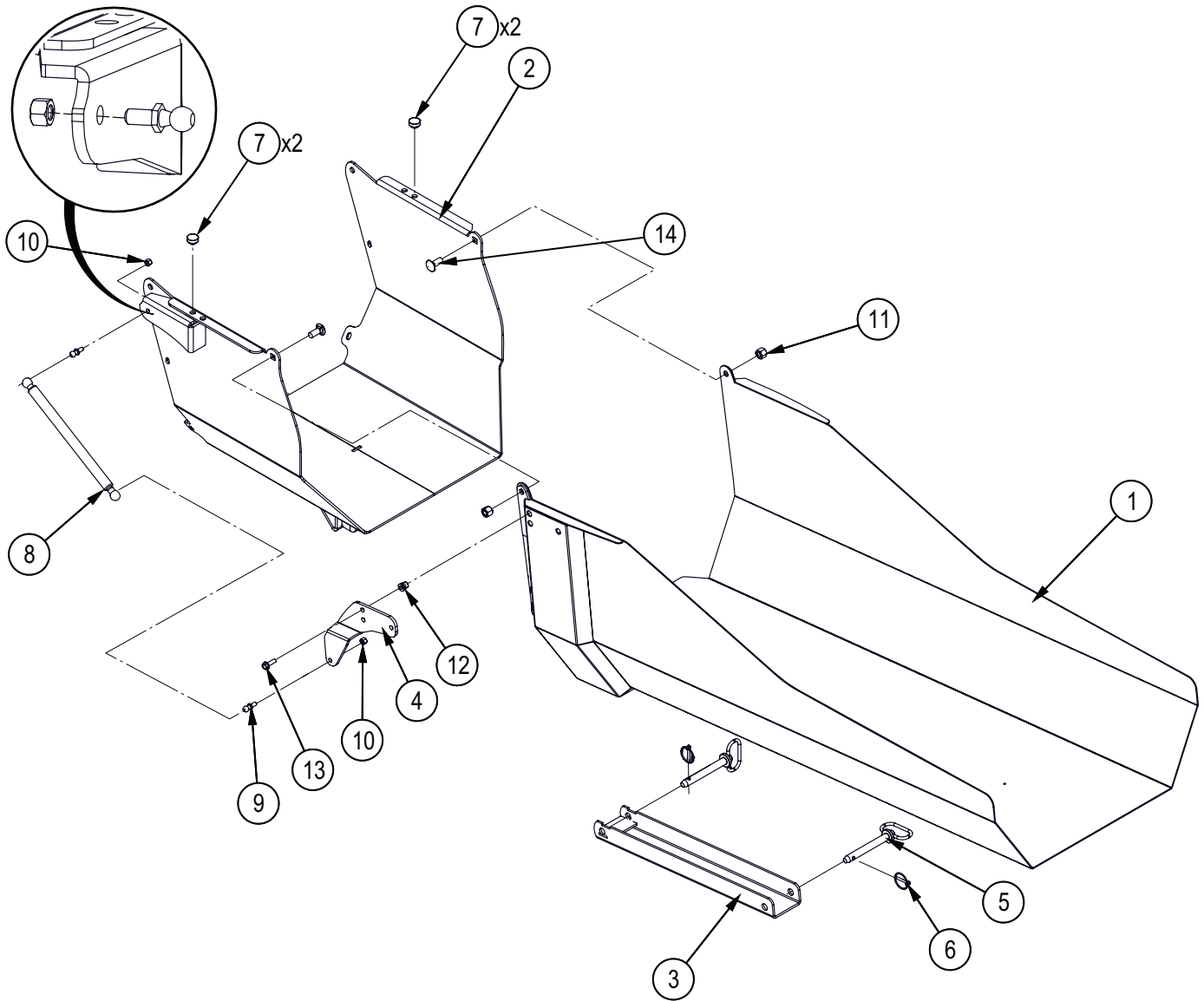
Model and Serial
Number Location

www.wallensteinequipment.com

Contents

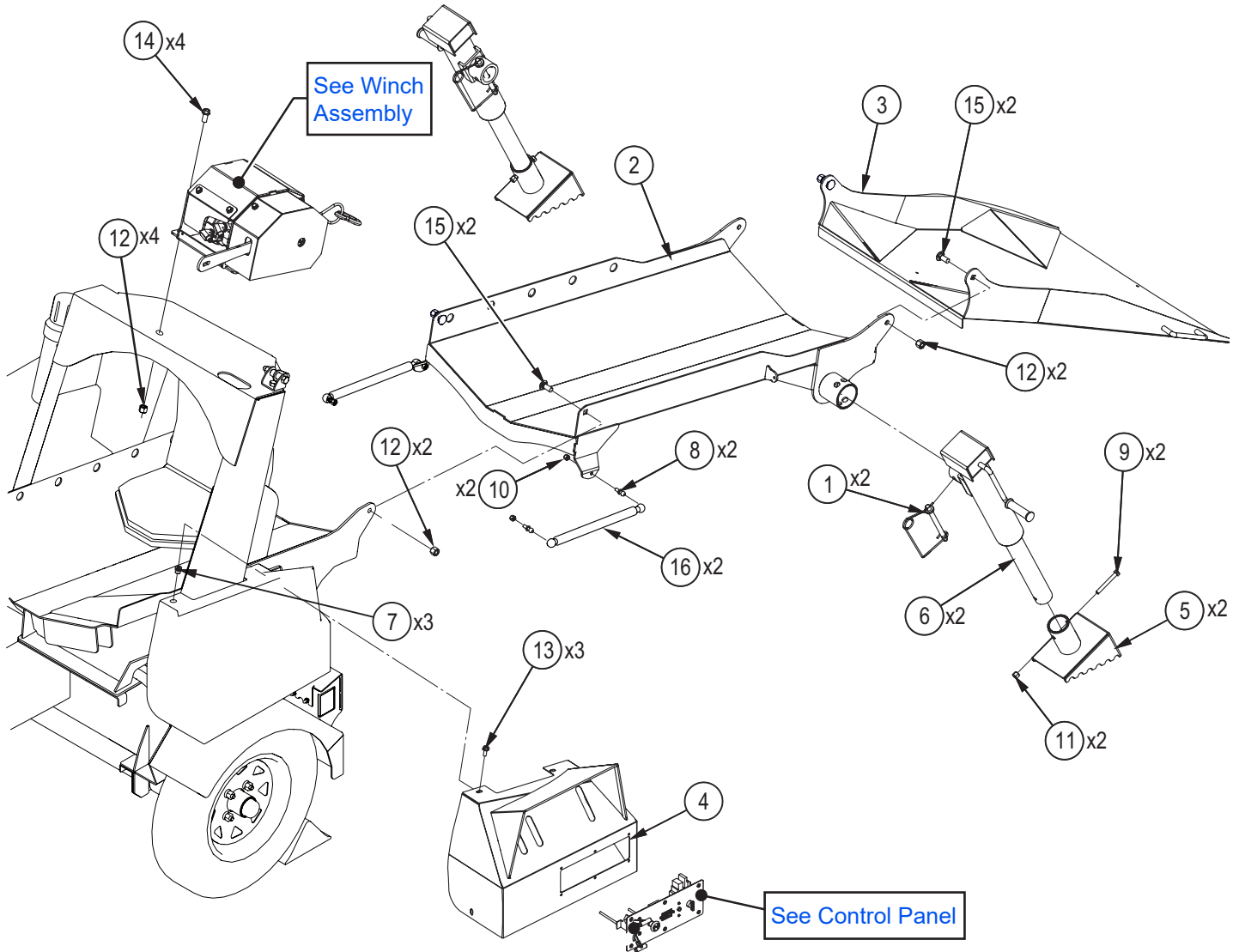
| | |
|-----------------------------------|----|
| Splitter Chute Assembly..... | 4 |
| Lead In Chute Assembly | 5 |
| Log Hold Down Assembly..... | 6 |
| Splitter Main Frame Assembly..... | 7 |
| Log Chute Assembly | 8 |
| Running Gear | 9 |
| Hydraulic Splitter Assembly | 10 |
| Engine and Pump Assembly..... | 11 |
| Hydraulic Winch | 12 |
| Winch Drum..... | 13 |
| Panel Assembly..... | 14 |
| Tool Box Lid..... | 15 |
| Handle Clamp Assembly | 15 |
| Cylinder..... | 16 |
| Hub Assembly | 16 |
| Lights and Harness..... | 17 |
| Valve Assembly..... | 18 |
| Hydraulic Circuit | 19 |
| Decal Layout..... | 20 |
| Control Panel Decals | 23 |
| Accessories | 24 |
| Common Bolt Torque Values | 25 |
| Hydraulic Fitting Torque..... | 26 |
| Wheel Lug Torque Values..... | 26 |

Splitter Chute Assembly



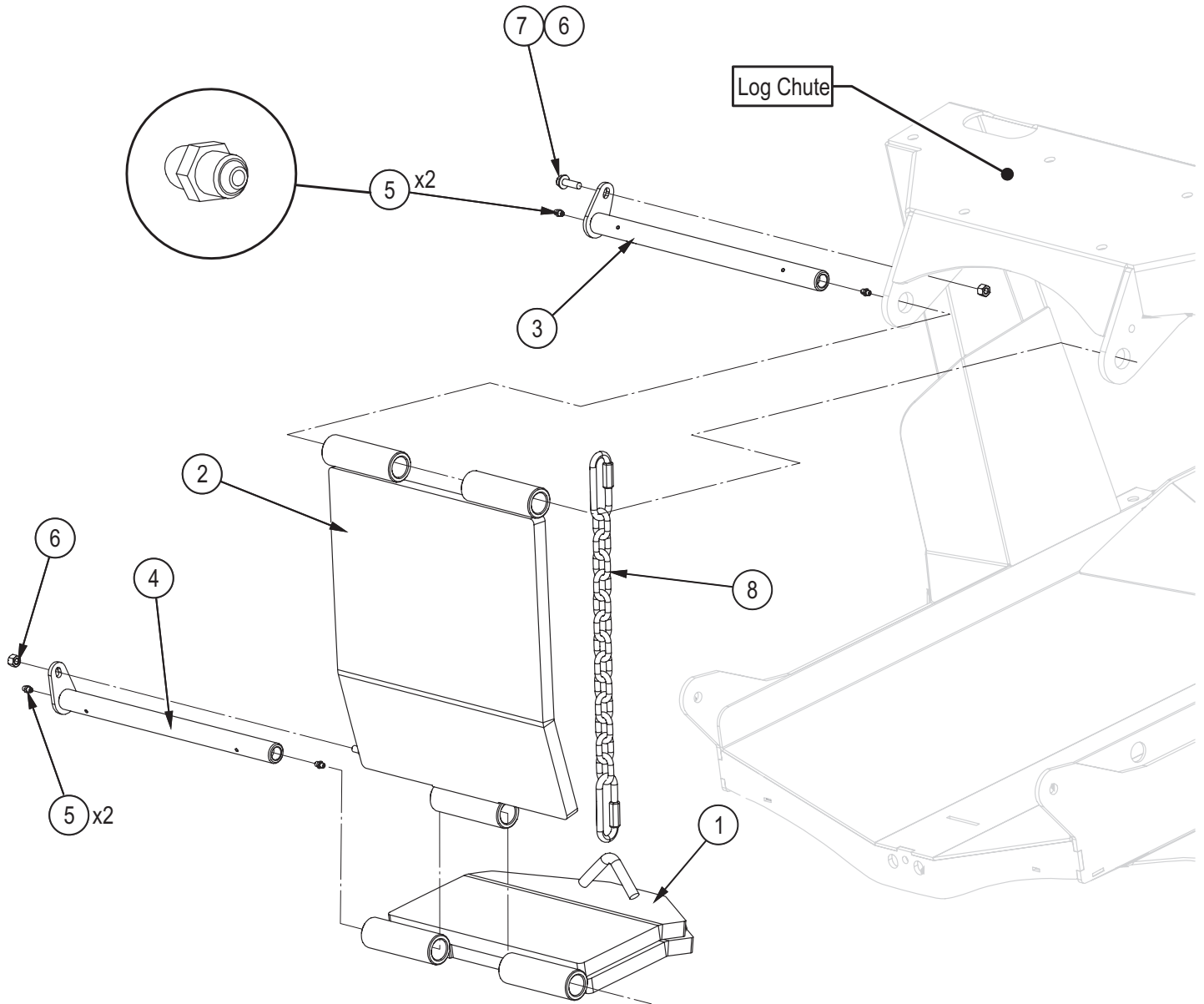
| Item No. | Part No. | Description | Qty |
|----------|----------|-----------------------------------------------|-----|
| 1 | 2251W041 | Splitter Chute | 1 |
| 2 | 2019W993 | Chute, Extension | 1 |
| 3 | 2071W114 | Chute Adjuster | 1 |
| 4 | 2071L188 | Plate, Spring Mount | 1 |
| 5 | Z11232 | Hitch Pin, 5/8" x 4-1/4" | 2 |
| 6 | Z12110 | Lynch Pin, 3/16" | 2 |
| 7 | Z19909 | Rubber Bumper, 7/16" x 1" | 4 |
| 8 | Z34203 | Gas Spring, 10mm OD x 540mm x 215mm x 158 lbs | 1 |
| 9 | Z34204 | Ball Stud, 13mm x 5/16NC | 2 |
| 10 | Z72221 | Hex Lock Nut, 5/16NC | 2 |
| 11 | Z72251 | Hex Lock Nut, 1/2NC | 2 |
| 12 | Z72956 | Rivet Nut, 5/16NC x 150 | 3 |
| 13 | Z76125 | Flange Bolt, 5/16NC x 1" | 3 |
| 14 | Z76259 | Carriage Bolt, 1/2NC x 1-1/4" | 2 |

Lead In Chute Assembly



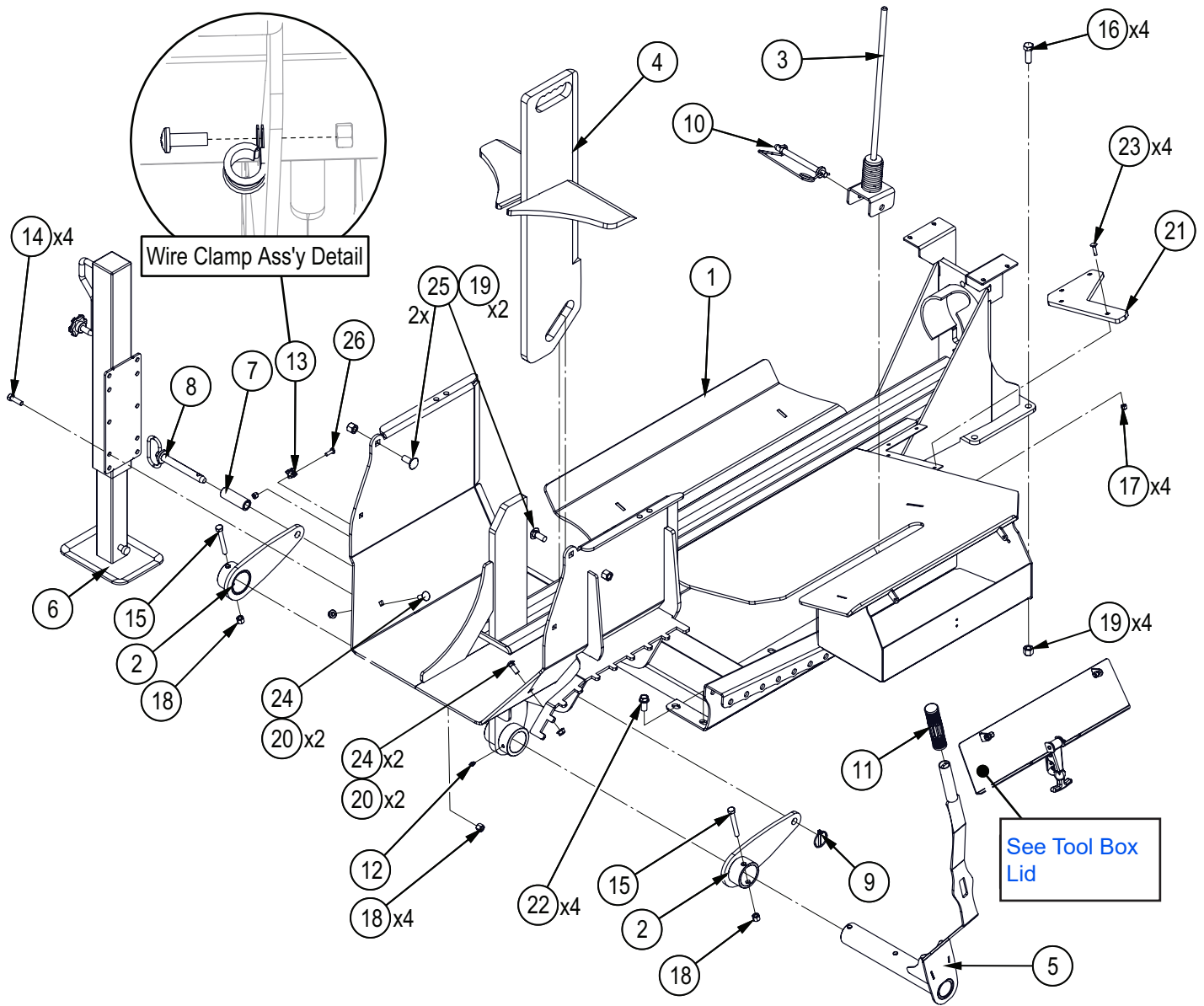
| Item No. | Part No. | Description | Qty |
|----------|----------|-------------------------------------------|-----|
| 1 | Z12441 | Snap Lock Pin, 1/2" x 4-1/2" | 2 |
| 2 | 2251W016 | Chute, Bottom | 1 |
| 3 | 2251W017 | Chute, Lead In | 1 |
| 4 | 2251W043 | Valve Cover | 1 |
| 5 | 2251W020 | Foot, Jack | 2 |
| 6 | Z91515 | Trailer Jack, Side Wind x 2000lbs No Foot | 2 |
| 7 | Z72956 | Rivet Nut, 5/16NC x 150 | 3 |
| 8 | Z34204 | Ball Stud, 13mm x 5/16NC | 2 |
| 9 | Z71330 | Hex Bolt, 3/8NC x 3" | 2 |
| 10 | Z72221 | Hex Lock Nut, 5/16NC | 2 |
| 11 | Z72231 | Hex Lock Nut, 3/8NC | 2 |
| 12 | Z72251 | Hex Lock Nut, 1/2NC | 8 |
| 13 | Z76121 | Flange Bolt, 5/16NC x 3/4" | 3 |
| 14 | Z76153 | Flange Bolt, 1/2NC x 1" | 4 |
| 15 | Z76259 | Carriage Bolt, 1/2NC x 1-1/4" | 4 |
| 16 | Z34203 | Gas Spring, 10mm ODx540x215mmx158 lbs | 2 |

Log Hold Down Assembly



| Item No. | Part No. | Description | Qty |
|----------|----------|---------------------------------------|-----|
| 1 | 2071W102 | Hold Down Bottom | 1 |
| 2 | 2071W110 | Log Hold Down Long | 1 |
| 3 | 2071W112 | Pin, Log Hold Down | 1 |
| 4 | 2071W136 | Pin, Log Hold Down | 1 |
| 5 | Z29202 | Grease Fitting, 1/4NF | 4 |
| 6 | Z72221 | Hex Lock Nut, 5/16NC | 2 |
| 7 | Z76125 | Flange Bolt, 5/16NC x 1" | 1 |
| 8 | Z92311 | Chain, 1/4" x 21" with Two Quicklinks | 1 |

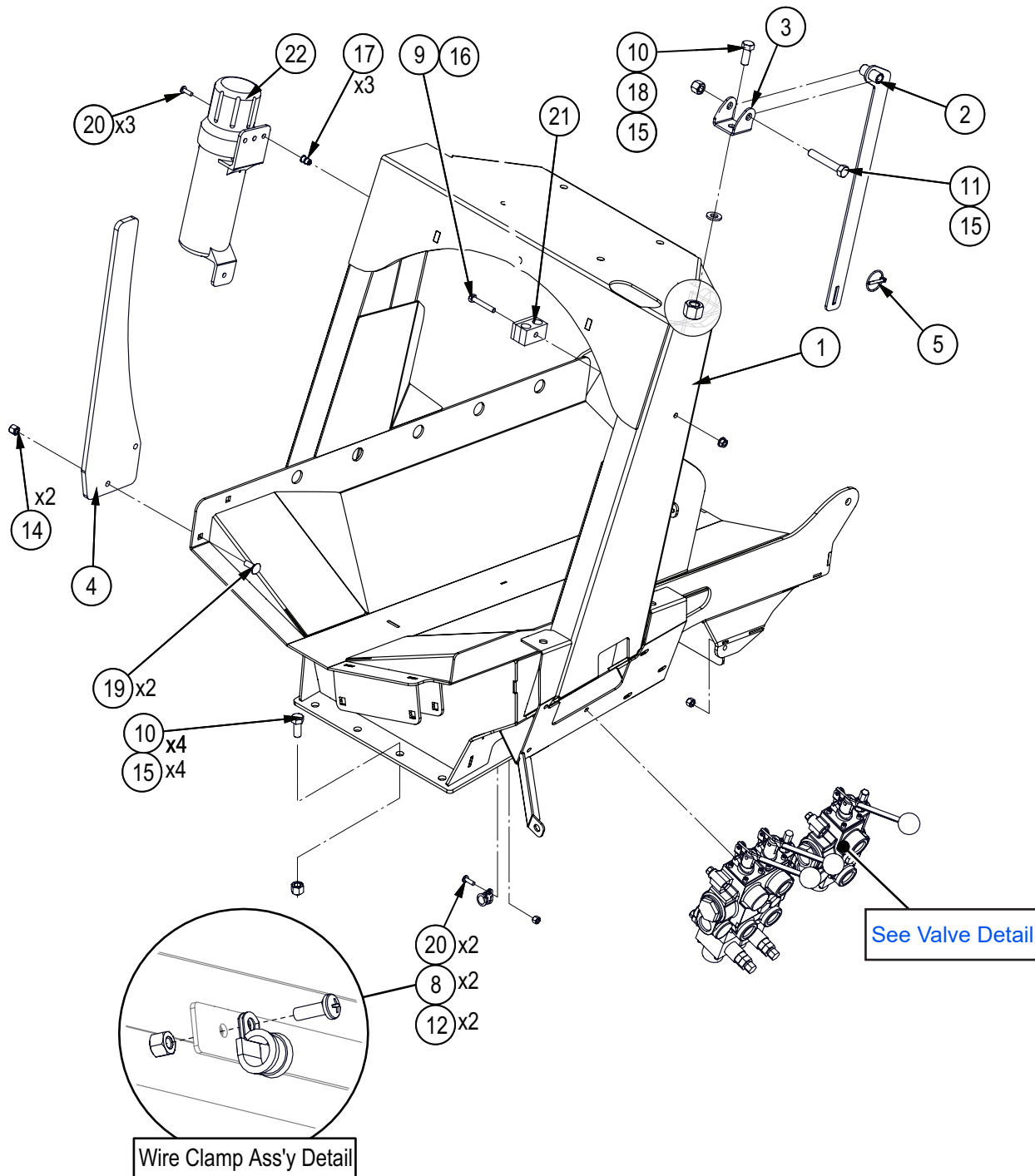
Splitter Main Frame Assembly



| Item No. | Part No. | Description | Qty |
|----------|----------|------------------------------|-----|
| 1 | 2251W530 | Main Frame | 1 |
| 2 | 2071W111 | Arm Wedge Lifter | 2 |
| 3 | 2071W190 | Log Stop Whip | 1 |
| 4 | 2071W532 | Wedge 4 Way | 1 |
| 5 | 2071W533 | Wedge Position Handle | 1 |
| 6 | 1082W503 | Jack for 1082A502 | 1 |
| 7 | 2071M123 | Roller Wedge Lift | 1 |
| 8 | Z11232 | Hitch Pin, 5/8" x 4-1/4" | 1 |
| 9 | Z12110 | Lynch Pin, 3/16" | 1 |
| 10 | Z12441 | Snap Lock Pin, 1/2" x 4-1/2" | 1 |
| 11 | Z19321 | Handle Grip, 1" | 1 |
| 12 | Z29202 | Grease Fitting, 1/4NF | 1 |
| 13 | Z62819 | Rubberized Wire Clamp, 1/2" | 1 |
| 14 | Z71312 | Hex Bolt, 3/8NC x 1-1/4" | 4 |

| Item No. | Part No. | Description | Qty |
|----------|----------|--------------------------------|-----|
| 15 | Z71330 | Hex Bolt, 3/8NC x 3" | 2 |
| 16 | Z71515 | Hex Bolt, 1/2NC x 1-1/2" | 4 |
| 17 | Z72211 | Hex Lock Nut, 1/4NC | 5 |
| 18 | Z72231 | Hex Lock Nut, 3/8NC | 6 |
| 19 | Z72251 | Hex Lock Nut, 1/2NC | 6 |
| 20 | Z72531 | Serrated Flange Locknut, 3/8NC | 4 |
| 21 | 2251S002 | Edge, Log Table Long | 1 |
| 22 | Z76153 | Flange Bolt, 1/2NC x 1" | 4 |
| 23 | Z76212 | Carriage Bolt, 1/4NC x 1" | 4 |
| 24 | Z76231 | Carriage Bolt, 3/8NC x 1" | 4 |
| 25 | Z76259 | Carriage Bolt, 1/2NC x 1-1/4" | 2 |
| 26 | Z78301 | Machine Screw, 1/4NC x 3/4" | 1 |

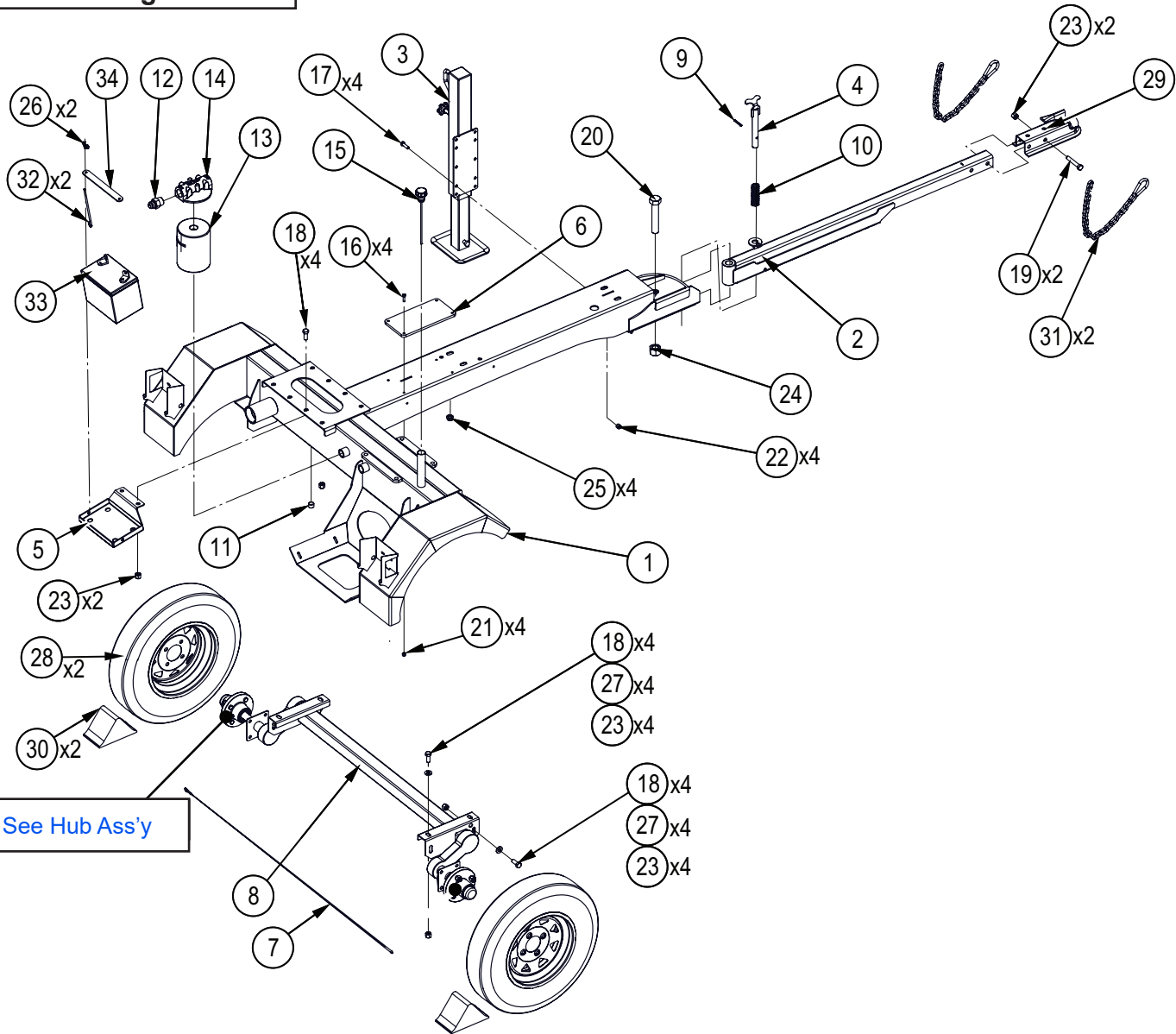
Log Chute Assembly



| Item No. | Part No. | Description | Qty |
|----------|----------|-----------------------------|-----|
| 1 | 2251W015 | Chute, Log | 1 |
| 2 | 2071W121 | Arm, Log Chute Lock | 1 |
| 3 | 2071L123 | Clevis, Latch Mount | 1 |
| 4 | 2251S003 | Saw Guide | 1 |
| 5 | Z12110 | Lynch Pin, 3/16" | 1 |
| 8 | Z62819 | Rubberized Wire Clamp, 1/2" | 2 |
| 9 | Z71220 | Hex Bolt, 5/16NC x 2" | 1 |
| 10 | Z71512 | Hex Bolt, 1/2NC x 1-1/4" | 5 |
| 11 | Z71530 | Hex Bolt, 1/2NC x 3" | 1 |
| 12 | Z72211 | Hex Lock Nut, 1/4NC | 2 |

| Item No. | Part No. | Description | Qty |
|----------|----------|---------------------------------|-----|
| 14 | Z72231 | Hex Lock Nut, 3/8NC | 2 |
| 15 | Z72251 | Hex Lock Nut, 1/2NC | 6 |
| 16 | Z72521 | Serrated Flange Locknut, 5/16NC | 1 |
| 17 | Z72962 | Rivet Nut, 1/4NC x 260 | 3 |
| 18 | Z73151 | SAE Washer, 1/2" | 1 |
| 19 | Z76231 | Carriage Bolt, 3/8NC x 1" | 2 |
| 20 | Z78301 | Machine Screw, 1/4NC x 3/4" | 5 |
| 21 | Z79463 | Double Hose Clamp, 11/16" OD | 1 |
| 22 | Z96503 | Manual Tube, 3-1/2" Short | 1 |

Running Gear

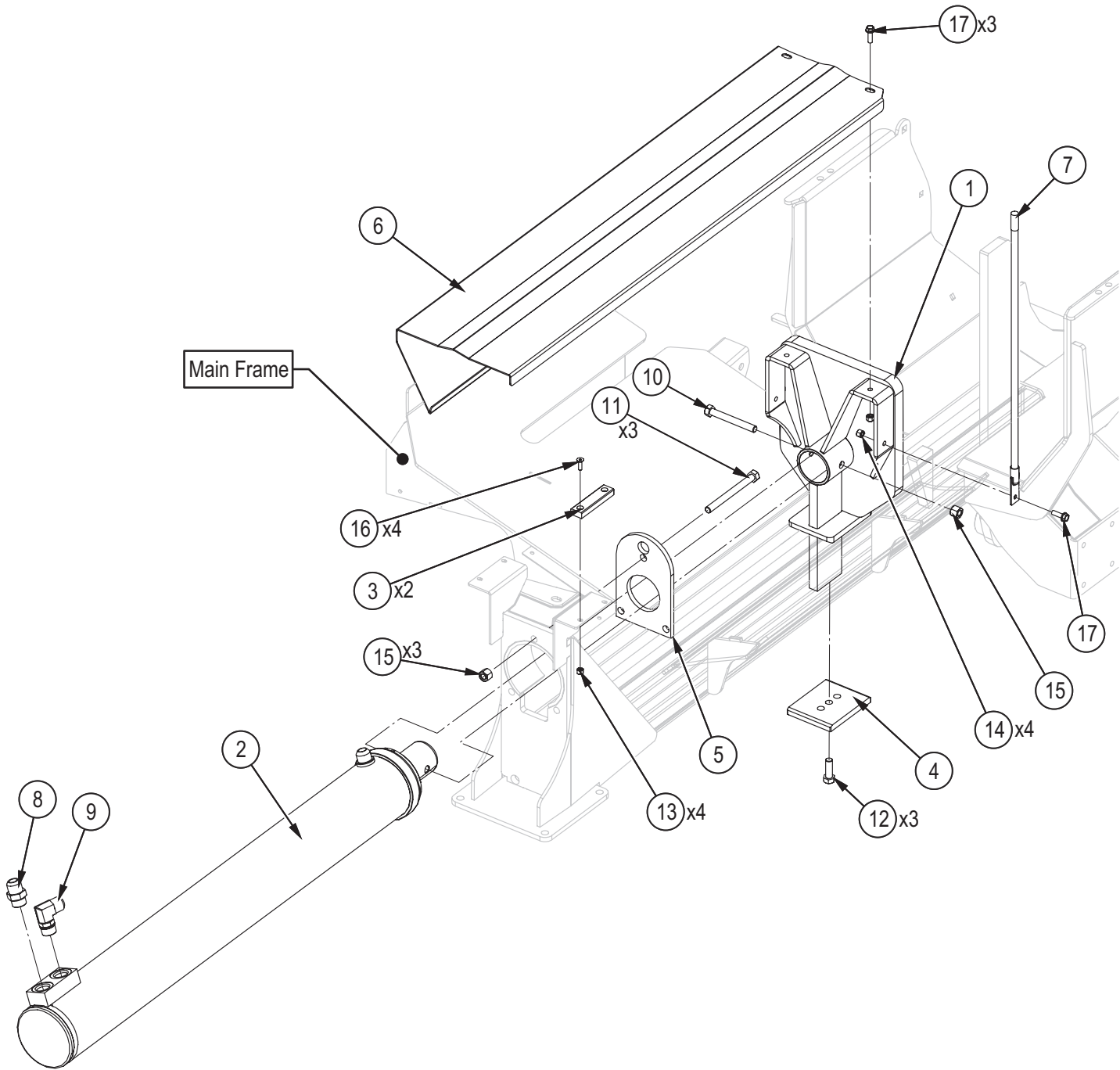


| Item No. | Part No. | Description | Qty |
|----------|----------|------------------------------------------|-----|
| 1 | 2251W535 | WP830 Tank Base | 1 |
| 2 | 2251W539 | Pivot Tongue | 1 |
| 3 | 1082W503 | Jack | 1 |
| 4 | 2251W040 | Locking Pin, Tongue | 1 |
| 5 | 2251L021 | Tray, Battery | 1 |
| 6 | 2251S004 | Chain Bumper | 1 |
| 7 | 2251F012 | Aircraft Cable, 1/16" x 55" | 1 |
| 8 | Z91115 | #9 Full Flex Axle, 2200lbs x 54" HF | 1 |
| 9 | Z14172 | Roll Pin, 1/4" x 1-3/4" | 1 |
| 10 | Z32307 | Comp Spring, 1.100" OD x 3-1/2" x 0.080" | 1 |
| 11 | Z51192 | Socket Plug, MP 08 | 1 |
| 12 | Z514403 | Straight, MJIC x MP 1216 | 1 |
| 13 | Z55303 | Particulate Filter, FP16 | 1 |
| 14 | Z55304 | Filter Cap, MP16 x FP16 | 1 |
| 15 | Z55404 | Vented Plug Dipstick x 9" | 1 |
| 16 | Z71110 | Hex Bolt, 1/4NC x 1" | 4 |
| 17 | Z71312 | Hex Bolt, 3/8NC x 1-1/4" | 4 |
| 18 | Z71512 | Hex Bolt, 1/2NC x 1-1/4" | 12 |

| Item No. | Part No. | Description | Qty |
|----------|----------|----------------------------------------|-----|
| 19 | Z71530 | Hex Bolt, 1/2NC x 3" | 2 |
| 20 | Z719111 | Hex Bolt, 1NC x 5-3/4" ECR03448 | 1 |
| 21 | Z72211 | Hex Lock Nut, 1/4NC | 4 |
| 22 | Z72231 | Hex Lock Nut, 3/8NC | 4 |
| 23 | Z72251 | Hex Lock Nut, 1/2NC | 14 |
| 24 | Z72291 | Hex Lock Nut, 1NC | 1 |
| 25 | Z72551 | Serrated Flange Locknut, 1/2NC | 4 |
| 26 | Z72921 | Wing Nut, 1/4NC | 2 |
| 27 | Z73151 | SAE Washer, 1/2" | 8 |
| 28 | Z91322 | 5.30-12 LRC USA Trail 4on4" (E-Marked) | 2 |
| 29 | Z91614 | Hitch Coupler, 2" Ball x 2" x 3500lbs | 1 |
| 30 | Z91903 | Wheel Chock | 2 |
| 31 | Z92303 | Safety Chain, 1/4" x 2ft with Snap | 2 |
| 32 | Z93202 | J-Hook, 1/4" x 7" | 2 |
| 33 | Z93204 | Battery, 325CCA | 1 |
| 34 | Z93207 | Hold-Down Strap, 1" x 8-1/2" | 1 |

Note: Axle comes complete with hubs: see Hub Assembly.

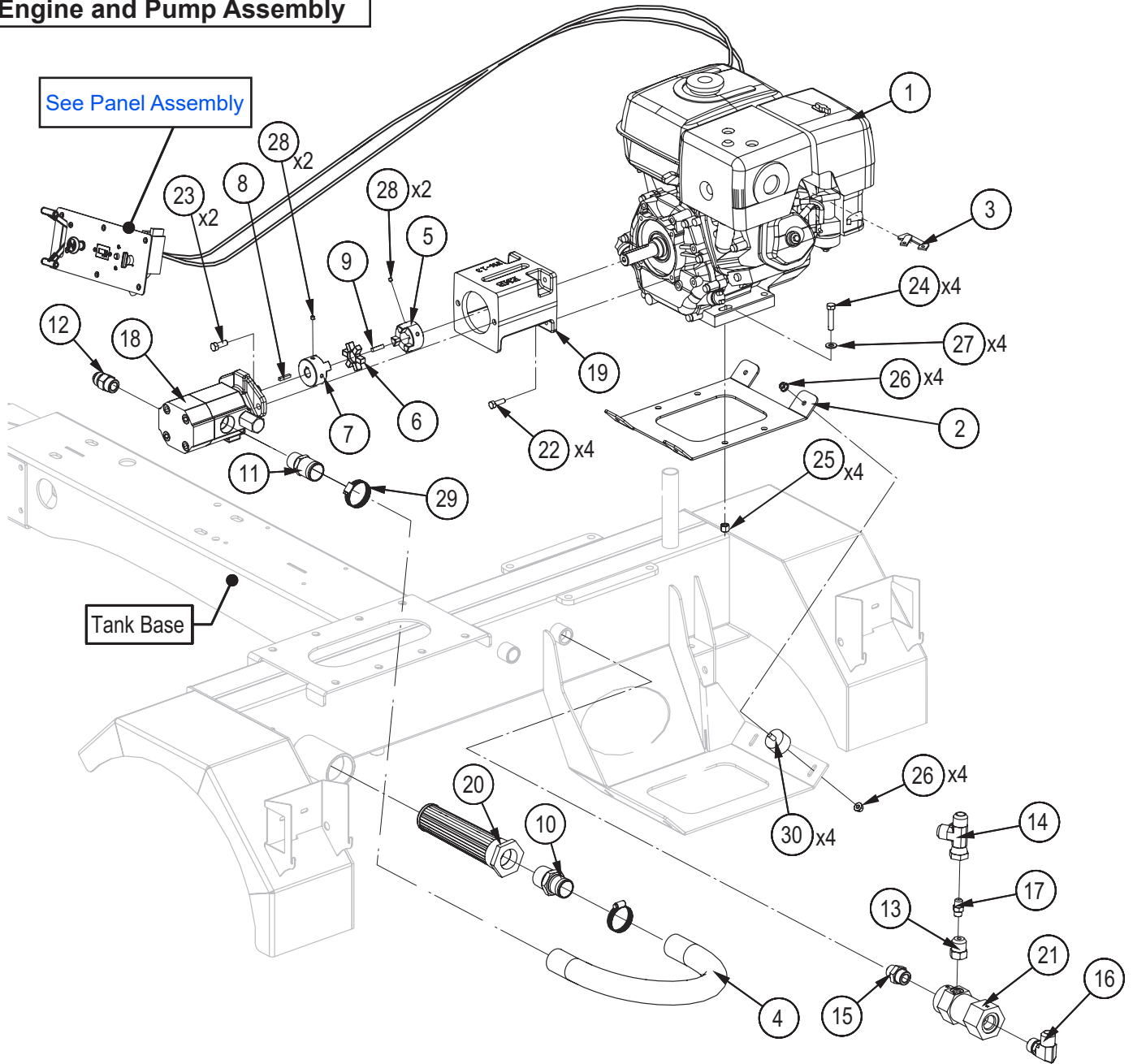
Hydraulic Splitter Assembly



| Item No. | Part No. | Description | Qty |
|----------|----------|-----------------------------------|-----|
| 1 | 2251W038 | Hvy Push Block | 1 |
| 2 | 2251C501 | Cylinder, 4-1/2" x 37.750" Stroke | 1 |
| 3 | 1022S208 | Rotor Hood Slide | 2 |
| 4 | 2055S517 | Cap, Push Block | 1 |
| 5 | 2071L215 | Plate, Cylinder Retaining | 1 |
| 6 | 2251L509 | Cover, Sliding | 1 |
| 7 | Z19908 | Blade Guide, 1/2" x 24" | 1 |
| 8 | Z516414 | Straight, MJIC x MORB 1212 | 1 |
| 9 | Z516501 | Elbow 90, MJIC x MORB 1212 | 1 |

| Item No. | Part No. | Description | Qty |
|----------|----------|-----------------------------|-----|
| 10 | Z71540 | Hex Bolt, 1/2NC x 4" | 1 |
| 11 | Z71555 | Hex Bolt, 1/2NC x 5-1/2" | 3 |
| 12 | Z71576G8 | Hex Bolt, 1/2NF x 1-1/2" G8 | 3 |
| 13 | Z72211 | Hex Lock Nut, 1/4NC | 4 |
| 14 | Z72221 | Hex Lock Nut, 5/16NC | 4 |
| 15 | Z72251 | Hex Lock Nut, 1/2NC | 4 |
| 16 | Z75211 | FHCS, 1/4NC x 7/8" | 4 |
| 17 | Z76125 | Flange Bolt, 5/16NC x 1" | 4 |

Engine and Pump Assembly



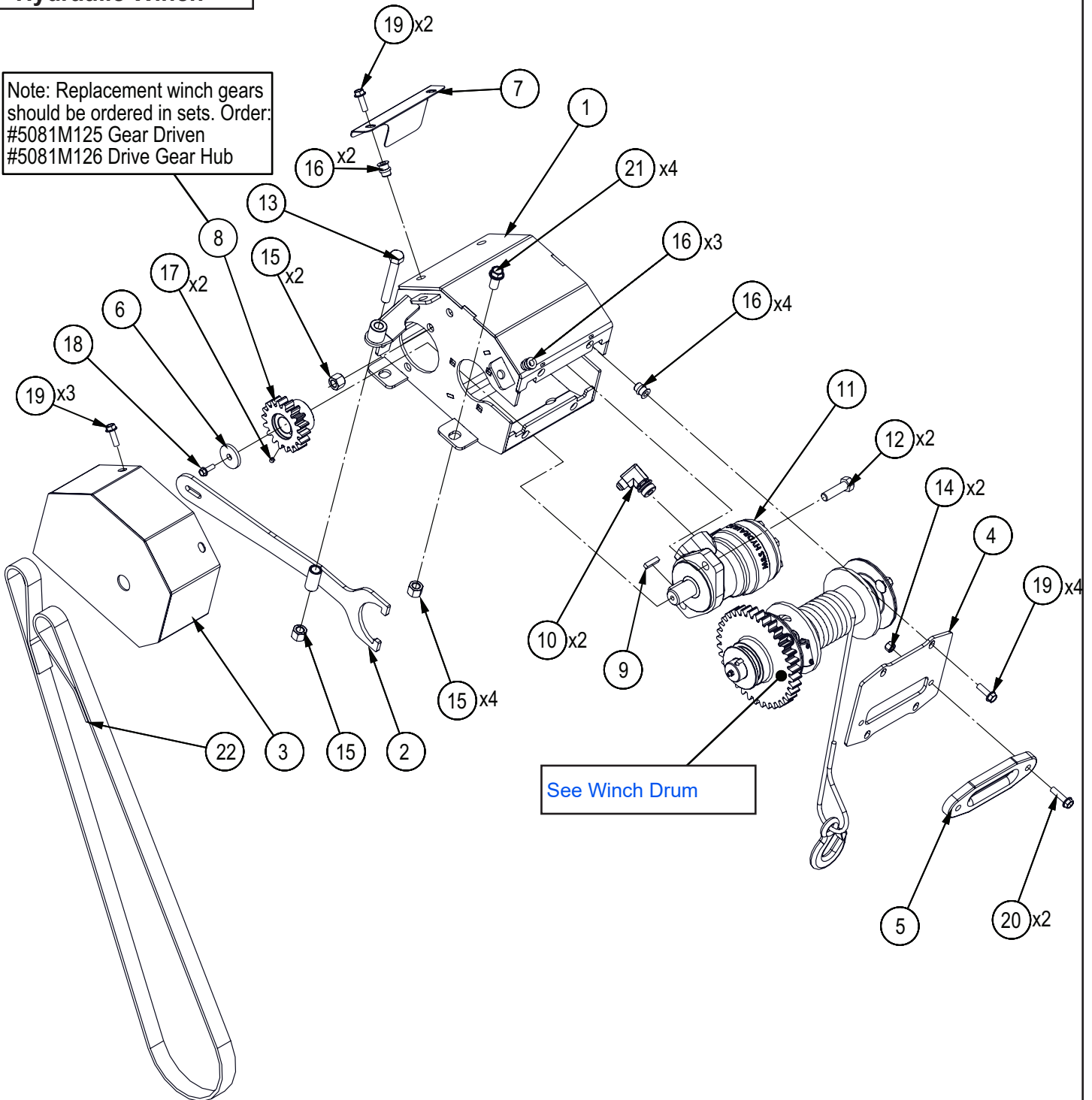
| Item No. | Part No. | Description | Qty |
|----------|----------|--------------------------------|-----|
| 1 | Z47147 | Honda GX390UQXE6, Electric | 1 |
| 2 | 2251L019 | Plate, Engine Mount | 1 |
| 3 | Z47914 | Kit, Remote Choke | 1 |
| 4 | 2251F004 | Suction Hose, 1-1/4" x 30" | 1 |
| 5 | Z46404 | Shaft Coupling, L095 x 1" | 1 |
| 6 | Z46405 | Spider, L095 | 1 |
| 7 | Z46419 | Shaft Coupling, L095 x 5/8" | 1 |
| 8 | Z46522 | Key, 3/16" x 3/16" x 1" | 1 |
| 9 | Z46533 | Key, 1/4" x 1/4" x 1" | 1 |
| 10 | Z51185 | Straight, MHB x MP 2020 | 1 |
| 11 | Z51186 | Straight, MHB x MP 2016 | 1 |
| 12 | Z514401 | Straight, MJIC x MP 1212 | 1 |
| 13 | Z514905 | Straight, FJIC x MJIC 0612 | 1 |
| 14 | Z51597 | Tee, MJIC x FJIC x MJIC 121212 | 1 |
| 15 | Z51613 | Straight, MORB x MP 1212 | 1 |
| 16 | Z516501 | Elbow 90, MJIC x MORB 1212 | 1 |

| Item No. | Part No. | Description | Qty |
|----------|----------|-------------------------------------|-----|
| 17 | Z51929 | Straight, MJIC x MORB 0606 x 0.047 | 1 |
| 18 | Z53206 | Two-Stage Pump, 22GPM | 1 |
| 19 | Z53808 | Pump Mount, PM-13 | 1 |
| 20 | Z55102 | Suction Strainer, MP32 | 1 |
| 21 | Z56408 | Dump Valve | 1 |
| 22 | Z71274 | Hex Bolt, 5/16NF x 1" | 4 |
| 23 | Z71310 | Hex Bolt, 3/8NC x 1" | 2 |
| 24 | Z71317 | Hex Bolt, 3/8NC x 1-3/4" | 4 |
| 25 | Z72231 | Hex Lock Nut, 3/8NC | 4 |
| 26 | Z72521 | Serrated Flange Locknut, 5/16NC | 8 |
| 27 | Z73131 | SAE Washer, 3/8" | 4 |
| 28 | Z74111 | Set Screw, 1/4NC x 1/4" | 4 |
| 29 | Z79404 | Hose Clamp, SAE #24 (2") | 2 |
| 30 | Z79933 | Isolator, 1-9/16" Dia x 1" x 5/16NC | 4 |

ECN0405

Hydraulic Winch

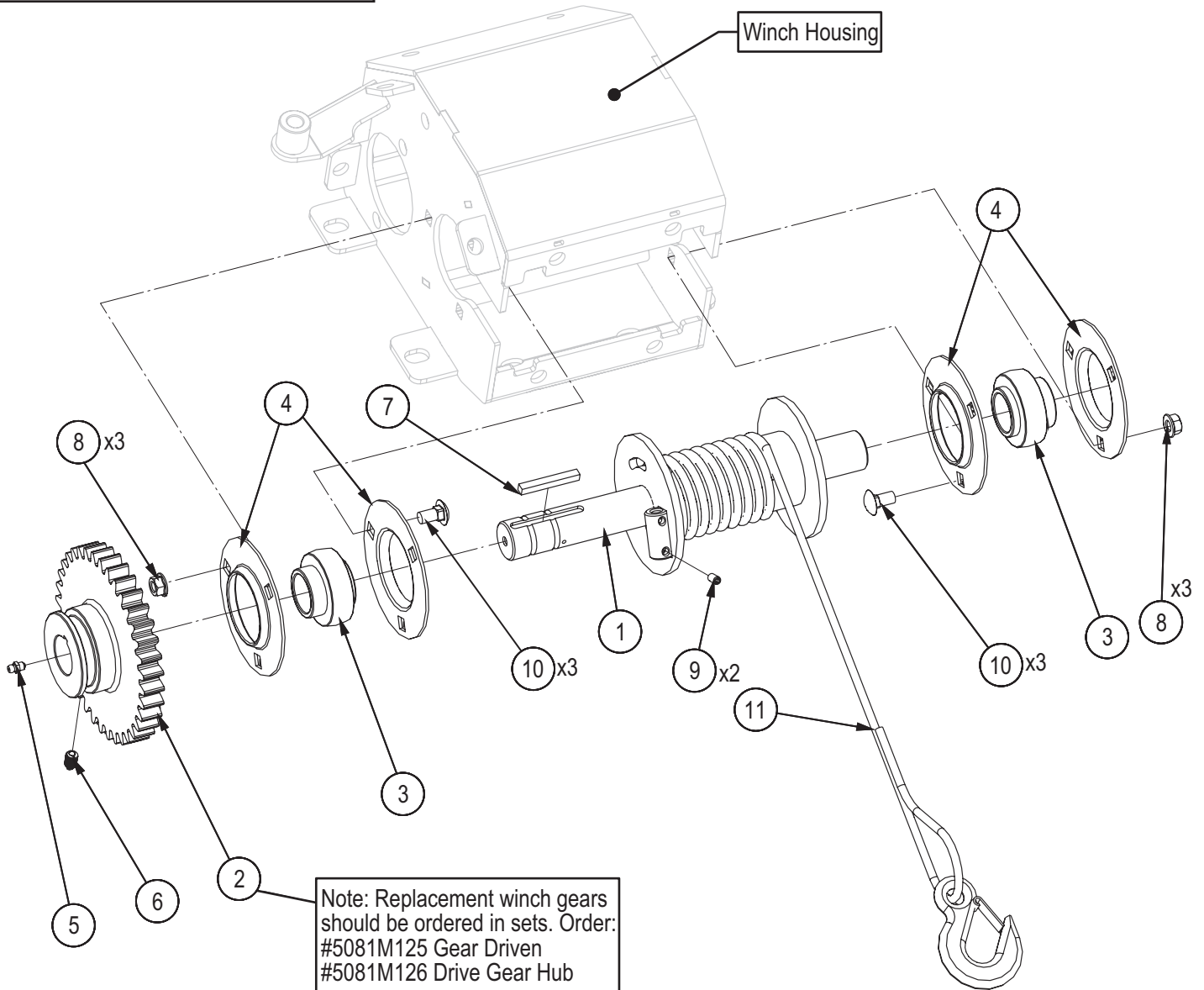
Note: Replacement winch gears should be ordered in sets. Order:
 #5081M125 Gear Driven
 #5081M126 Drive Gear Hub



| Item No. | Part No. | Description | Qty |
|----------|----------|----------------------------|-----|
| 1 | 2251W018 | Housing, Winch | 1 |
| 2 | 5081W122 | Handle, Winch Clutch | 1 |
| 3 | 5081W111 | Shield | 1 |
| 4 | 2251L071 | Mount, Hawse Fairlead | 1 |
| 5 | 2251M003 | Synthetic Fairlead | 1 |
| 6 | 5081L114 | Washer, Motor Shaft | 1 |
| 7 | 5081L138 | Guard | 1 |
| 8 | 5081M126 | Drive Gear Hub | 1 |
| 9 | Z46533 | Key, 1/4" x 1/4" x 1" | 1 |
| 10 | Z51656 | Elbow 90, MJIC x MORB 0610 | 2 |
| 11 | Z54109 | Hydraulic Motor, 100CCR | 1 |
| 12 | Z71517 | Hex Bolt, 1/2NC x 1-3/4" | 2 |

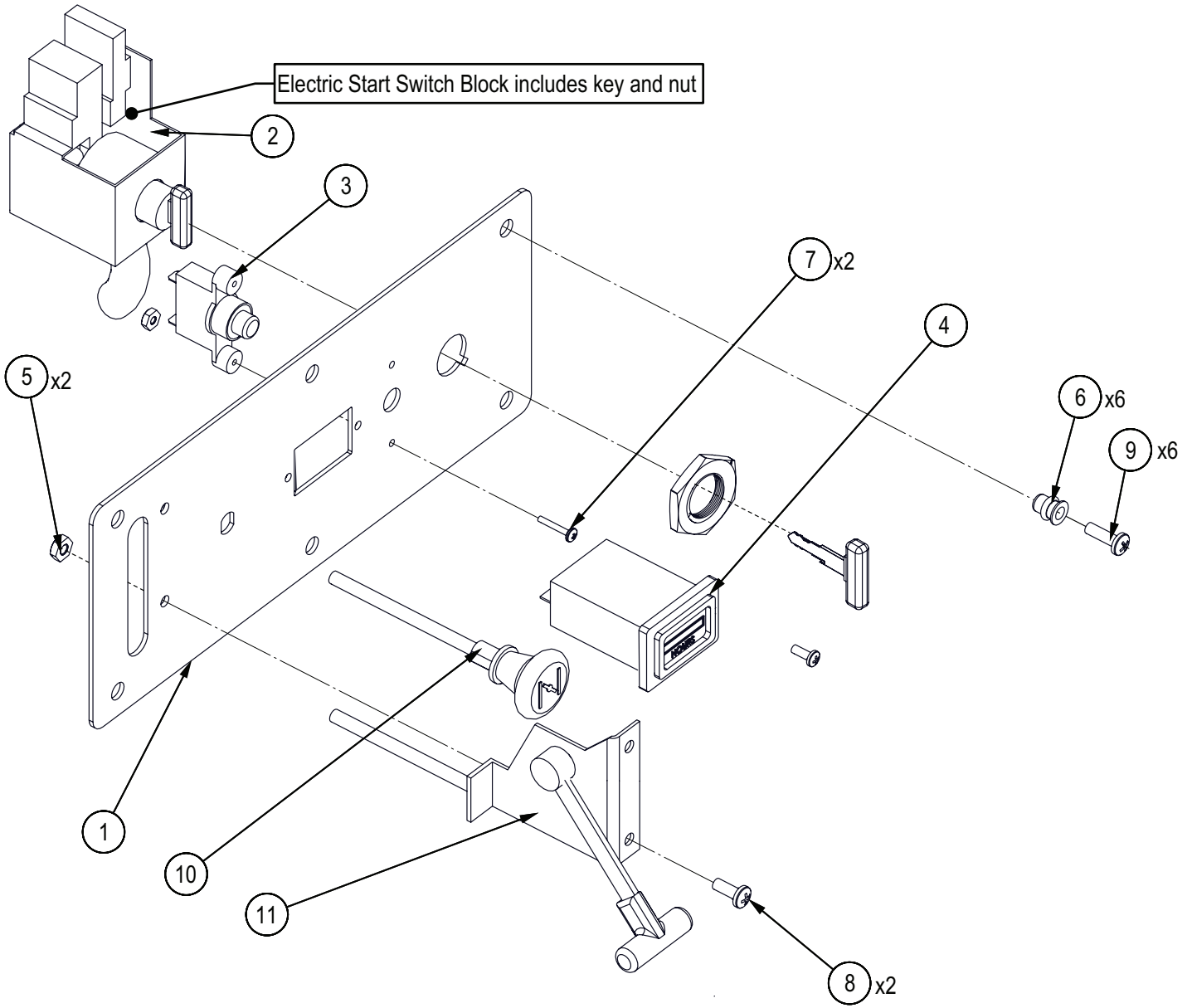
| | | | |
|----|--------|------------------------------|---|
| 13 | Z71535 | Hex Bolt, 1/2NC x 3-1/2" | 1 |
| 14 | Z72221 | Hex Lock Nut, 5/16NC | 2 |
| 15 | Z72251 | Hex Lock Nut, 1/2NC | 7 |
| 16 | Z72957 | Rivet Nut, 5/16NC x 312 | 9 |
| 17 | Z74111 | Set Screw, 1/4NC x 1/4" | 2 |
| 18 | Z76111 | Flange Bolt, 1/4NC x 3/4" | 1 |
| 19 | Z76125 | Flange Bolt, 5/16NC x 1" | 9 |
| 20 | Z76128 | Flange Bolt, 5/16NC x 1-1/4" | 2 |
| 21 | Z76153 | Flange Bolt, 1/2NC x 1" | 4 |
| 22 | Z92405 | Winching Strap, 1" x 5ft | 1 |

Winch Drum



| Item No. | Part No. | Description | Qty |
|----------|----------|-------------------------------------------------|-----|
| 1 | 2251W019 | Drum, Main Cable | 1 |
| 2 | 5081M125 | Gear, Driven | 1 |
| 3 | Z25207 | Bearing Insert, UC206-20 | 2 |
| 4 | Z25301 | 3-Bolt Flange Bearing, PF206 x Flange Only | 4 |
| 5 | Z29202 | Grease Fitting, 1/4NF | 1 |
| 6 | Z34302 | Spring Plunger, 3/8NC x 5/8" x 21 lbs | 1 |
| 7 | Z46531 | Key, 1/4" x 1/4" x 2" | 1 |
| 8 | Z72531 | Serrated Flange Locknut, 3/8NC | 6 |
| 9 | Z74113 | Set Screw, 1/4NC x 1/2" | 2 |
| 10 | Z76233 | Carriage Bolt, 3/8NC x 3/4" | 6 |
| 11 | Z92112 | Synthetic Winch Rope, 1/4 x 50ft with Grab Hook | 1 |

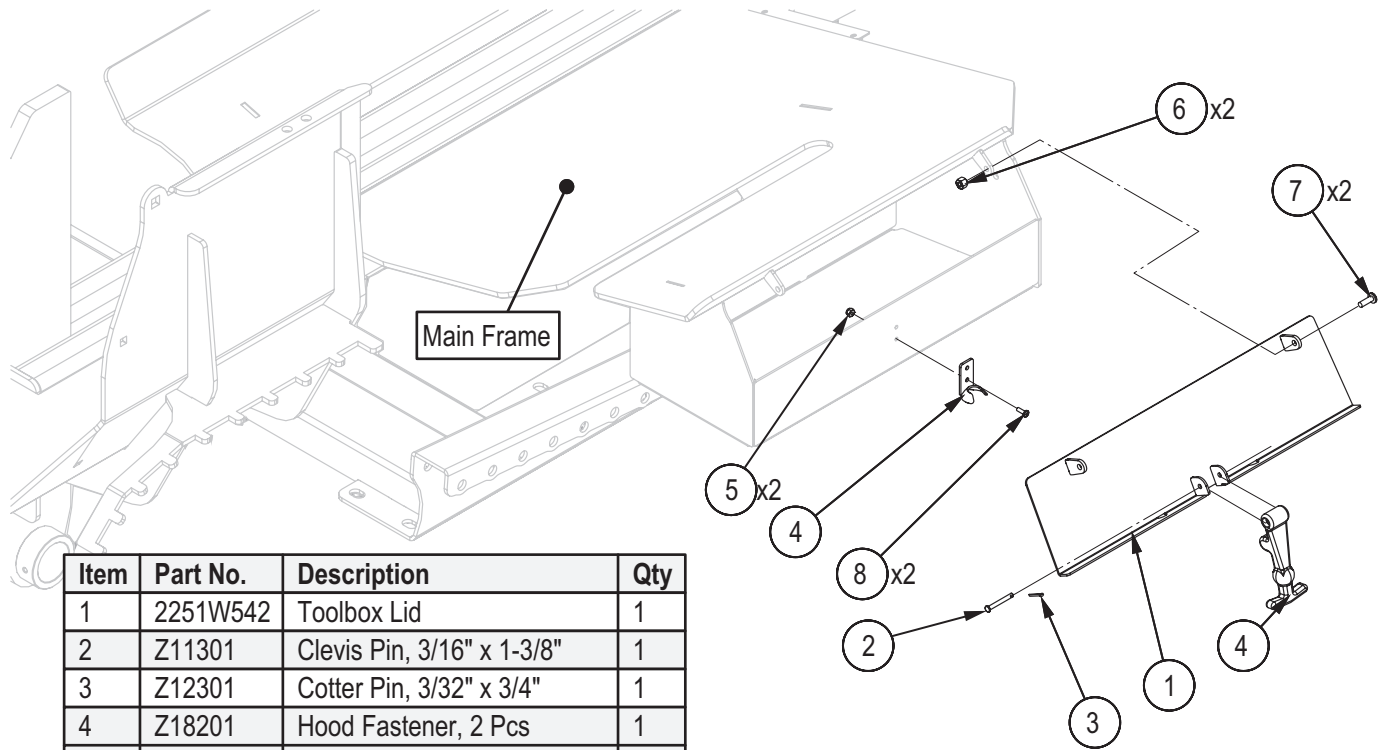
Panel Assembly



| Item No. | Part No. | Description | Qty |
|----------|----------|-----------------------------------|-----|
| 1 | 2251W021 | Control Panel | 1 |
| 2 | Z47171-2 | Electric Start, Switch Block | 1 |
| 3 | Z47171-3 | Electric Start, Honda 12V Breaker | 1 |
| 4 | Z64612 | Tach/Hour Meter, Snap Mount | 1 |
| 5 | Z72752 | Machine Nut, #10NF | 2 |
| 6 | Z72953 | Rivet Nut, #10NC x 130 | 6 |
| 7 | Z77816 | Machine Screw, M3x0.5 x 16mm | 2 |
| 8 | Z78303 | Machine Screw, #10NF x 1/2" | 2 |
| 9 | Z78312 | Machine Screw, #10NC x 5/8" | 6 |
| 10 | Z92115 | Remote Choke Cable, 68" | 1 |
| 11 | Z92116 | Remote Throttle Cable, 66" | 1 |

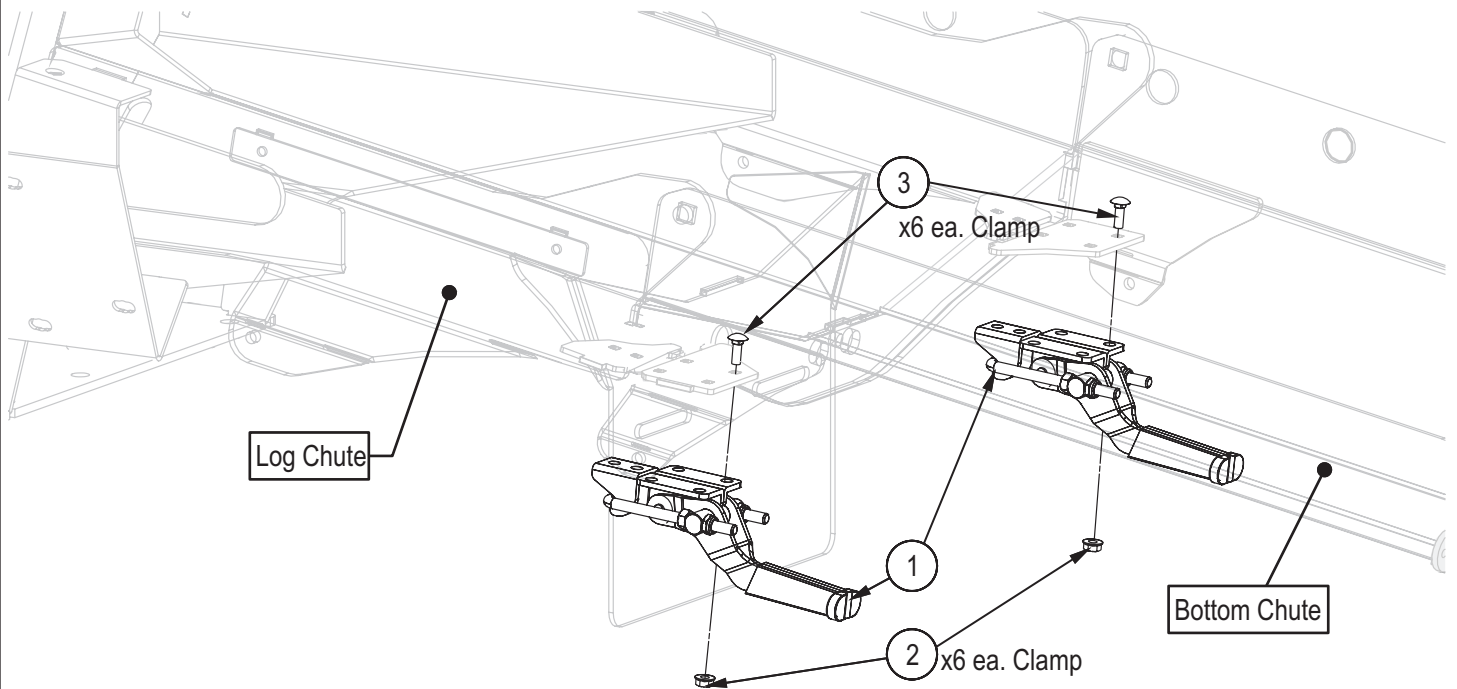
ECN0414

Tool Box Lid



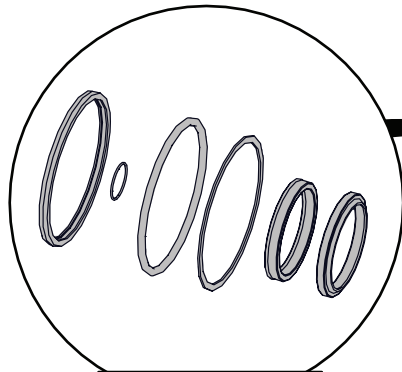
| Item | Part No. | Description | Qty |
|------|----------|-----------------------------|-----|
| 1 | 2251W542 | Toolbox Lid | 1 |
| 2 | Z11301 | Clevis Pin, 3/16" x 1-3/8" | 1 |
| 3 | Z12301 | Cotter Pin, 3/32" x 3/4" | 1 |
| 4 | Z18201 | Hood Fastener, 2 Pcs | 1 |
| 5 | Z72202 | Hex Lock Nut, #8NC | 2 |
| 6 | Z72211 | Hex Lock Nut, 1/4NC | 2 |
| 7 | Z78301 | Machine Screw, 1/4NC x 3/4" | 2 |
| 8 | Z78309 | Machine Screw, #8NC x 1/2" | 2 |

Handle Clamp Assembly

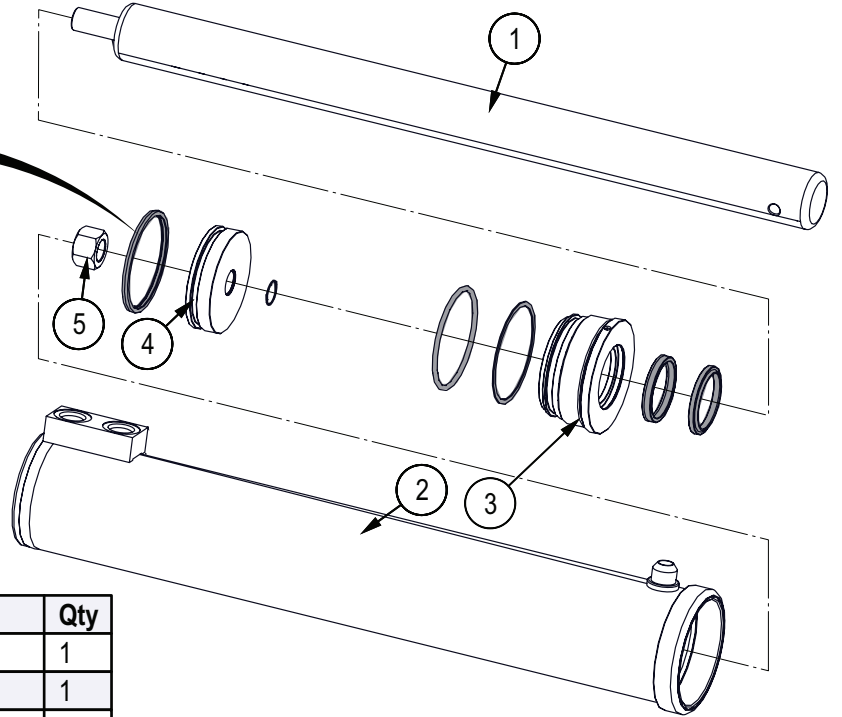


| Item No. | Part No. | Description | Qty |
|----------|----------|------------------------------------|-----|
| 1 | Z19511 | Handle Clamp, Latch Type x 2-Piece | 2 |
| 2 | Z72511 | Serrated Flange Locknut, 1/4NC | 12 |
| 3 | Z76211 | Carriage Bolt, 1/4NC x 3/4" | 12 |

Cylinder

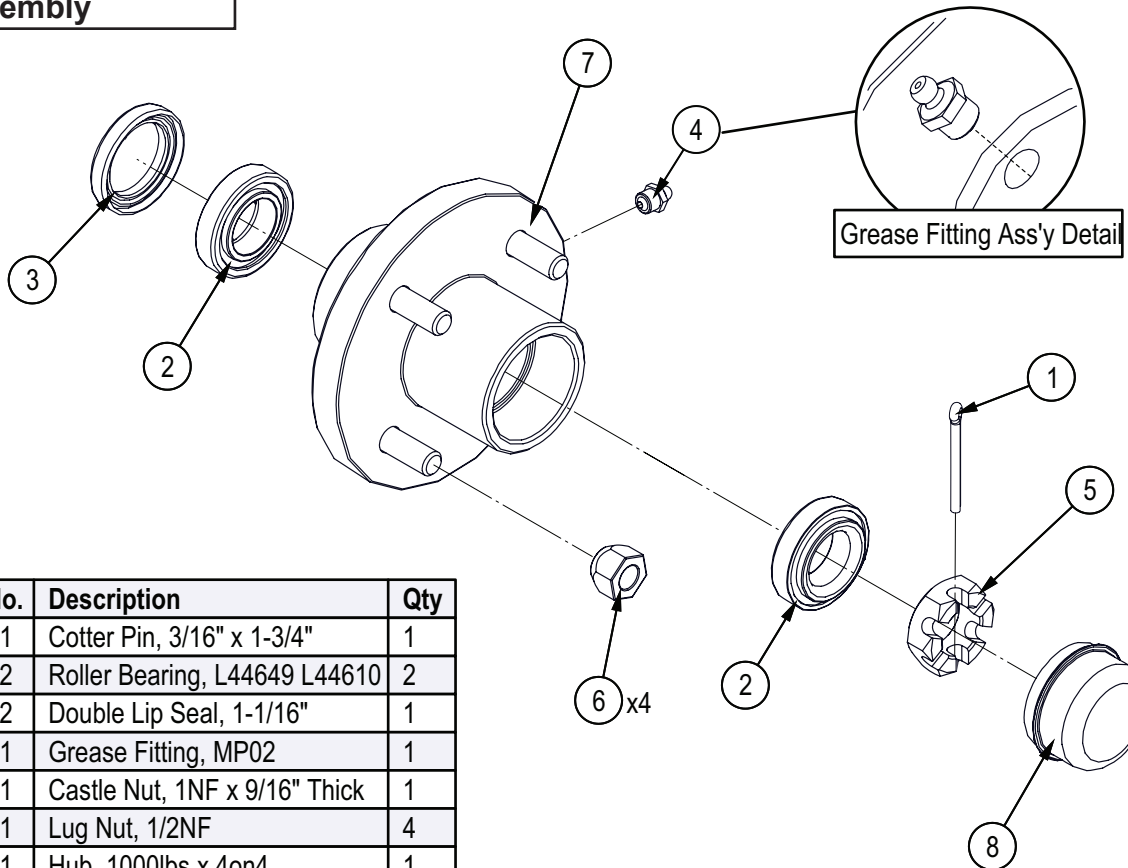


Seal Kit #SLK-4525



| Item No. | Part No. | Description | Qty |
|----------|------------|-----------------------------|-----|
| 1 | 2251C0012 | Rod, 2-1/2x 1 | 1 |
| 2 | 2251C5014 | Barrel, 4-1/2" | 1 |
| 3 | G450-250S | Gland, 4-1/2" x 2-1/2" | 1 |
| 4 | P100-450SP | Piston, 4-1/2" Bore | 1 |
| 5 | Z722909G8 | Hex Top-lock Nut, 1-14NF G8 | 1 |

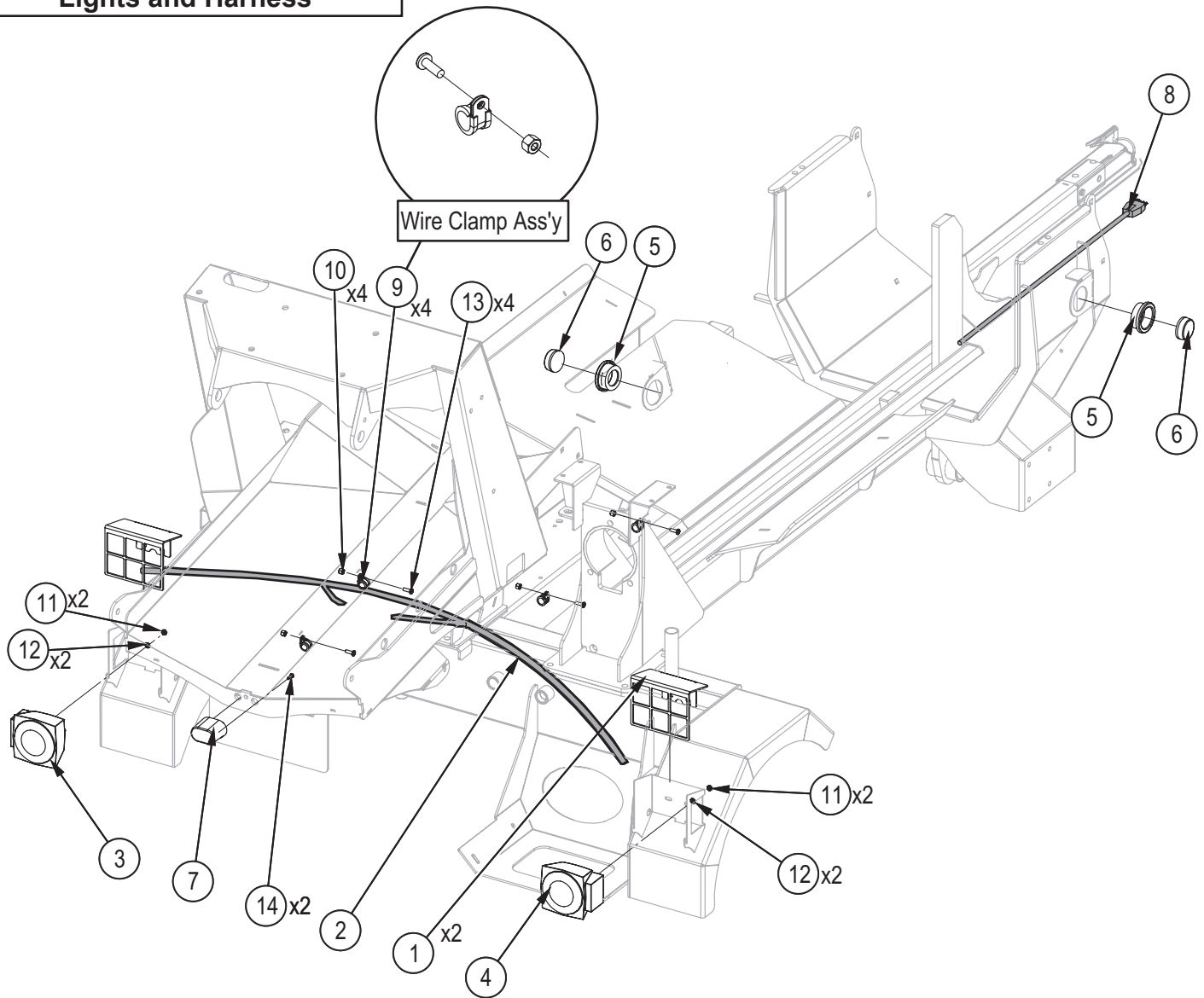
Hub Assembly



Grease Fitting Ass'y Detail

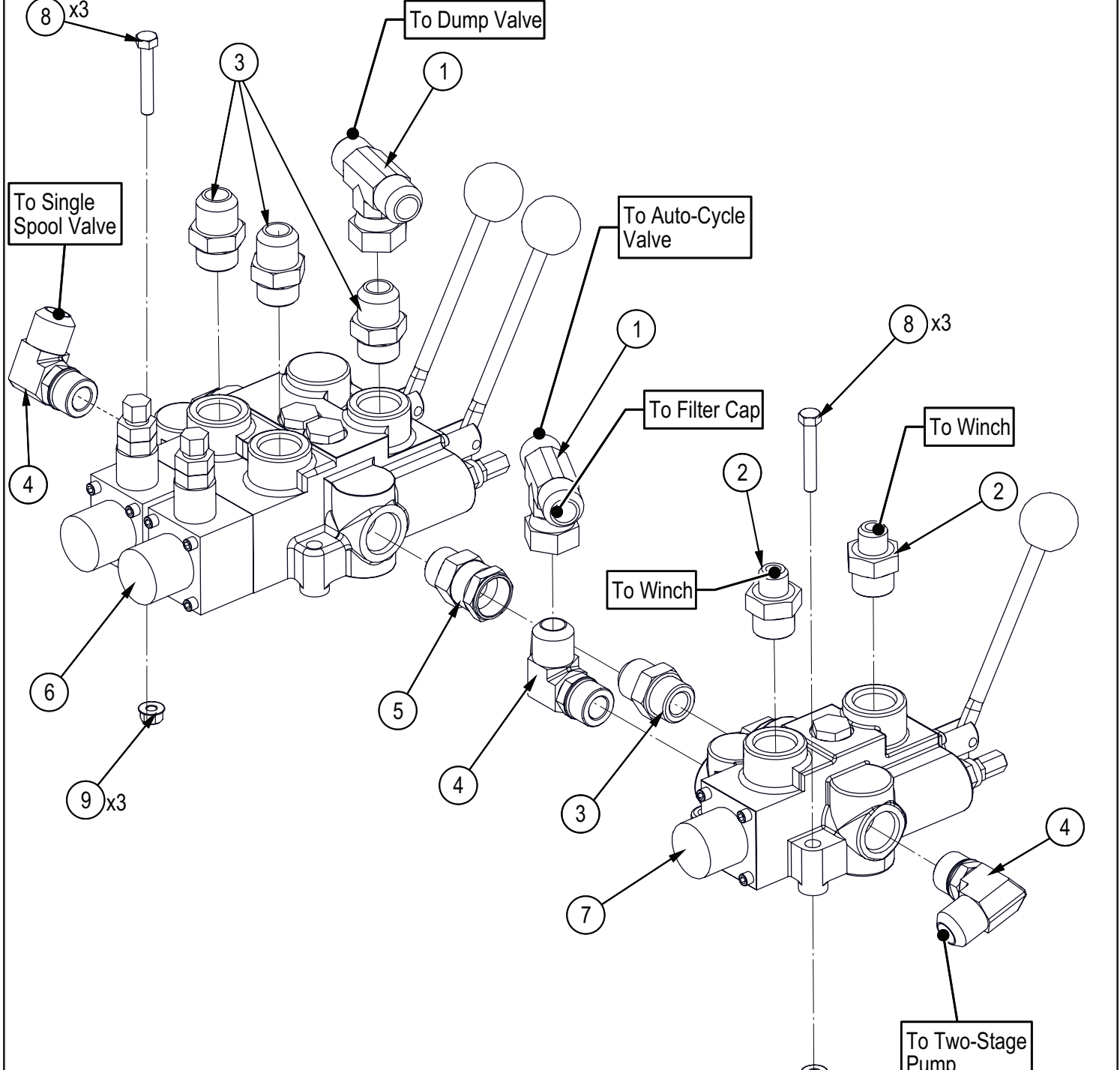
| Item No. | Part No. | Description | Qty |
|----------|----------|-------------------------------|-----|
| 1 | Z12321 | Cotter Pin, 3/16" x 1-3/4" | 1 |
| 2 | Z23202 | Roller Bearing, L44649 L44610 | 2 |
| 3 | Z28302 | Double Lip Seal, 1-1/16" | 1 |
| 4 | Z29201 | Grease Fitting, MP02 | 1 |
| 5 | Z72691 | Castle Nut, 1NF x 9/16" Thick | 1 |
| 6 | Z72931 | Lug Nut, 1/2NF | 4 |
| 7 | Z91201 | Hub, 1000lbs x 4on4 | 1 |
| 8 | Z91801 | Dust Cap, 1.98 Bore | 1 |

Lights and Harness



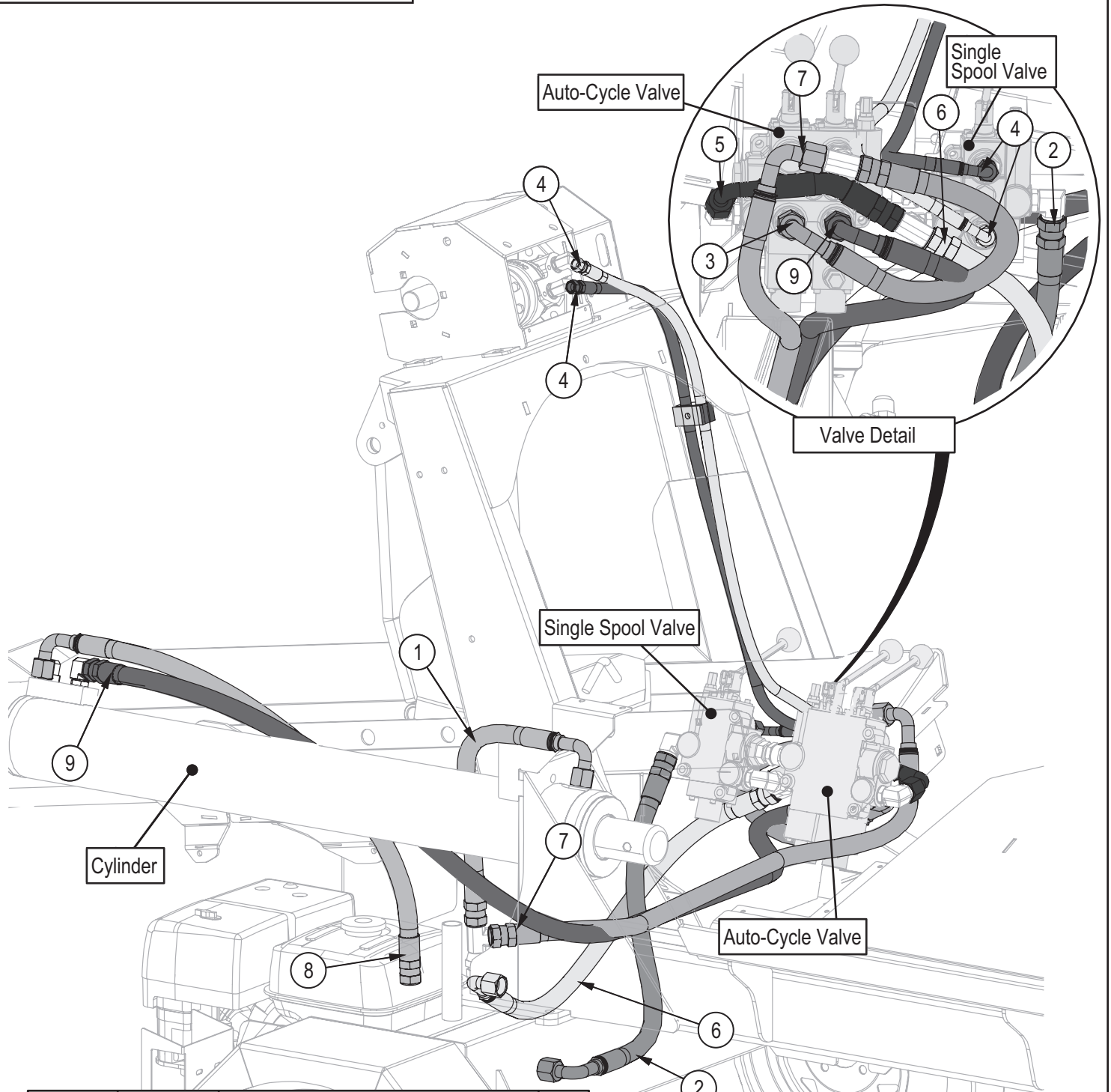
| Item No. | Part No. | Description | Qty |
|----------|----------|--------------------------------------|-----|
| 1 | 2089L351 | Light Guard | 2 |
| 2 | 2251F015 | Harness, WP840 Series Engine Control | 1 |
| 3 | Z61106 | STTL Lamp, Square LH | 1 |
| 4 | Z61107 | STT Lamp, Square RH | 1 |
| 5 | Z61202 | Grommet, Round x Open Back | 2 |
| 6 | Z61205 | Marker Lamp, Round x Amber | 2 |
| 7 | Z61301 | License Lamp, White | 1 |
| 8 | Z62126 | Harness, WP800 Series Lights | 1 |
| 9 | Z62819 | Rubberized Wire Clamp, 1/2" | 4 |
| 10 | Z72211 | Hex Lock Nut, 1/4NC | 4 |
| 11 | Z72311 | Jam Nut, 1/4NC | 4 |
| 12 | Z73431 | Int - Ext Tooth Washer, 1/4" | 4 |
| 13 | Z78301 | Machine Screw, 1/4NC x 3/4" | 4 |
| 14 | Z78312 | Machine Screw, #10NC x 5/8" | 2 |

Valve Assembly



| Item No. | Part No. | Description | Qty |
|----------|----------|------------------------------------------|-----|
| 1 | Z51596 | Tee, MJIC x MJIC x FJICX 121212 | 2 |
| 2 | Z516412 | Straight, MJIC x MORB 0812 | 2 |
| 3 | Z516414 | Straight, MJIC x MORB 1212 | 4 |
| 4 | Z516501 | Elbow 90, MJIC x MORB 1212 | 3 |
| 5 | Z51764 | Straight, MORB x FJICX 1212 | 1 |
| 6 | Z56213 | Auto-Cycle Valve, OC x 25GPM | 1 |
| 7 | Z56224 | Single Spool Valve, PB Tandem SC x 30GPM | 1 |
| 8 | Z71220 | Hex Bolt, 5/16NC x 2" | 6 |
| 9 | Z72521 | Serrated Flange Locknut, 5/16NC | 6 |

Hydraulic Circuit



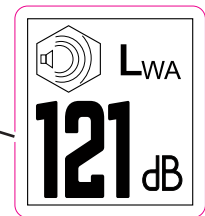
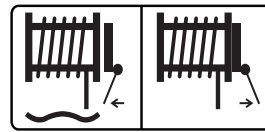
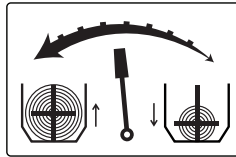
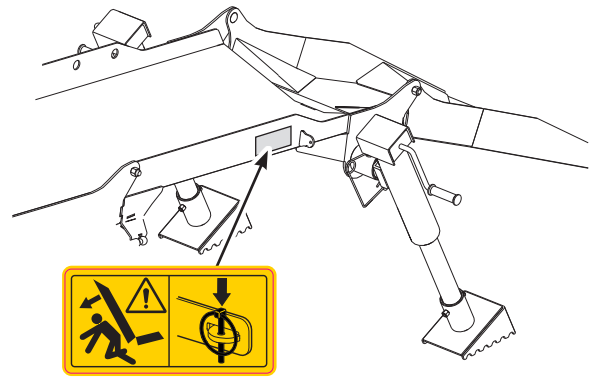
| Item No. | Part No. | Description | Qty |
|----------|----------|--------------------------------------|-----|
| 1 | 2251F001 | 3/4" Hose, FJIC12 x 90FJIC12 x 18" | 1 |
| 2 | 2251F003 | 3/4" Hose, FJIC12 x 90FJIC12 x 25" | 1 |
| 3 | 2251F006 | 3/4" Hose, FJIC12 x 90FJIC12 x 17" | 1 |
| 4 | 2251F007 | 3/8" Hose, FJIC06 x 90FJIC08 x 47" | 2 |
| 5 | 2251F008 | 3/4" Hose, FJIC12 x 90FJIC12 x 5" | 1 |
| 6 | 2251F009 | 3/4" Hose, FJIC12 x 90FJIC12 x 38" | 1 |
| 7 | 2251F011 | 3/4" Hose, FJIC12 x 90FJIC12 x 34.5" | 1 |
| 8 | 2251F502 | 3/4" Hose, FJIC12 x 90FJIC12 x 32" | 1 |
| 9 | 2251F510 | 3/4" Hose, FJIC12 x 90FJIC12 x 80" | 1 |

ECR03625

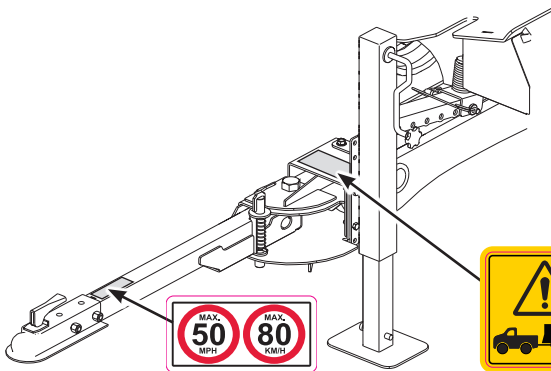
Decal Layout

IMPORTANT! If parts are replaced that have safety signs on them, new signs must be applied. Safety signs must always be replaced if they become damaged, are removed, or become illegible.

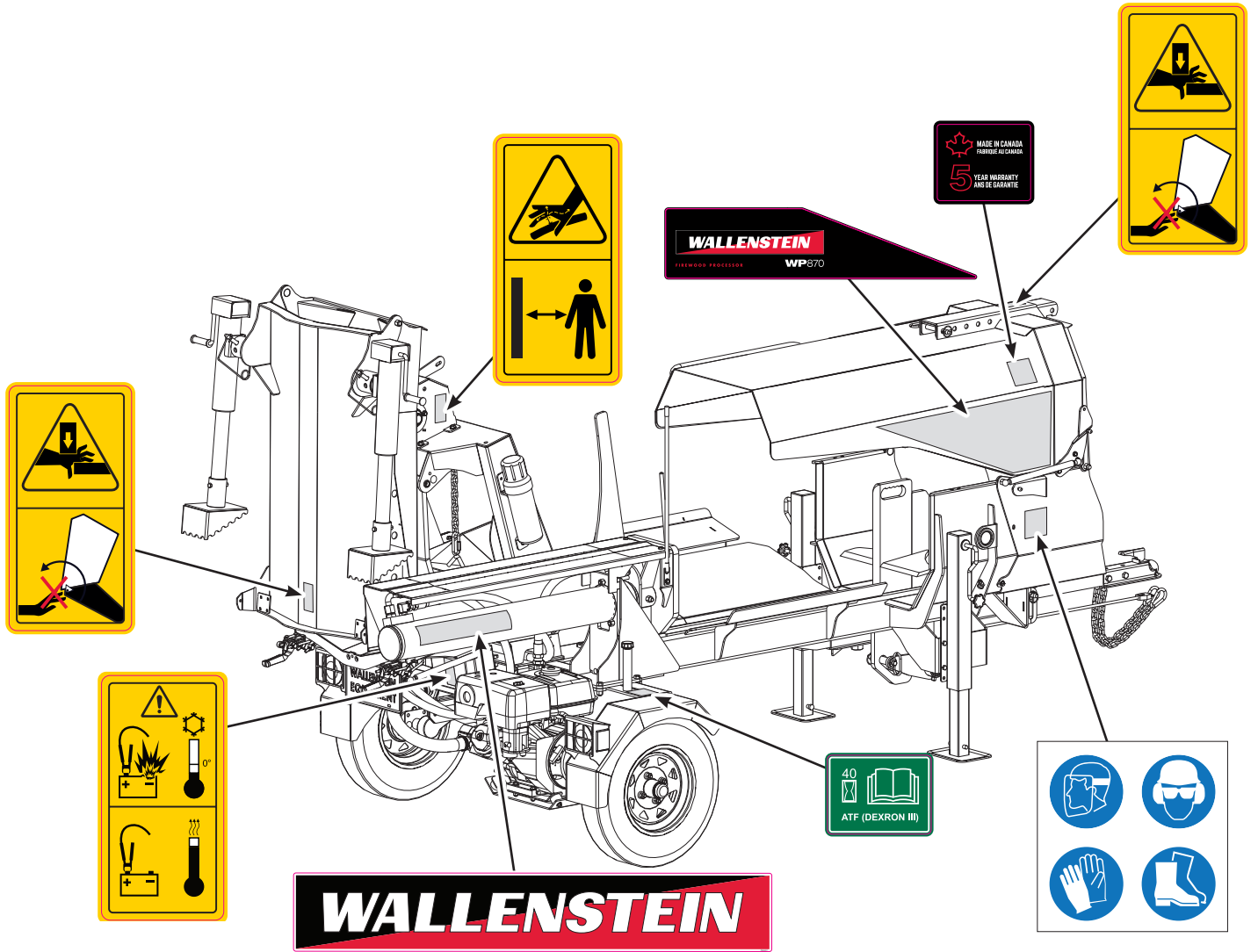
Safety signs are included in the product decal kit available from your authorized dealer. Decals are not available separately.



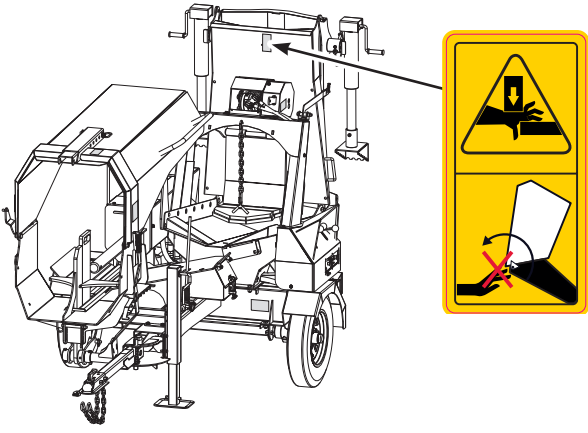
See Control Panel Decals on page 23



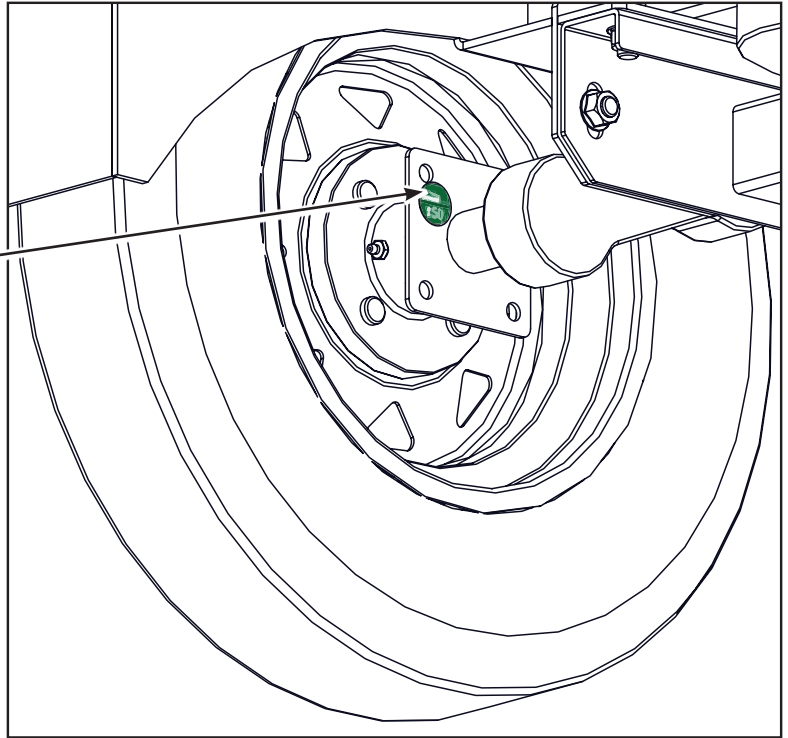
Decal Layout



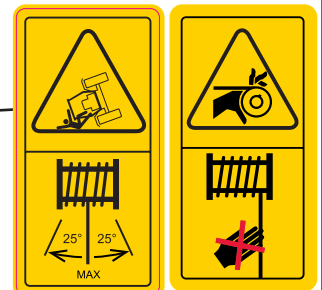
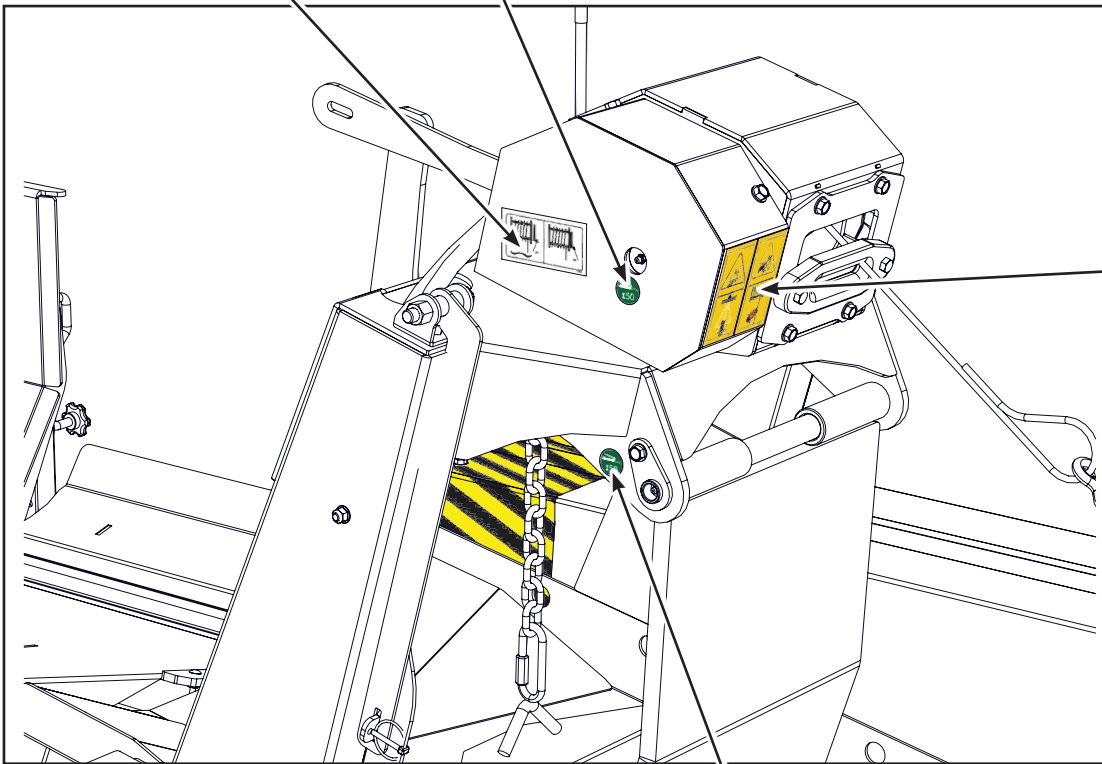
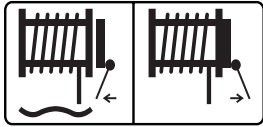
WALLENSTEIN



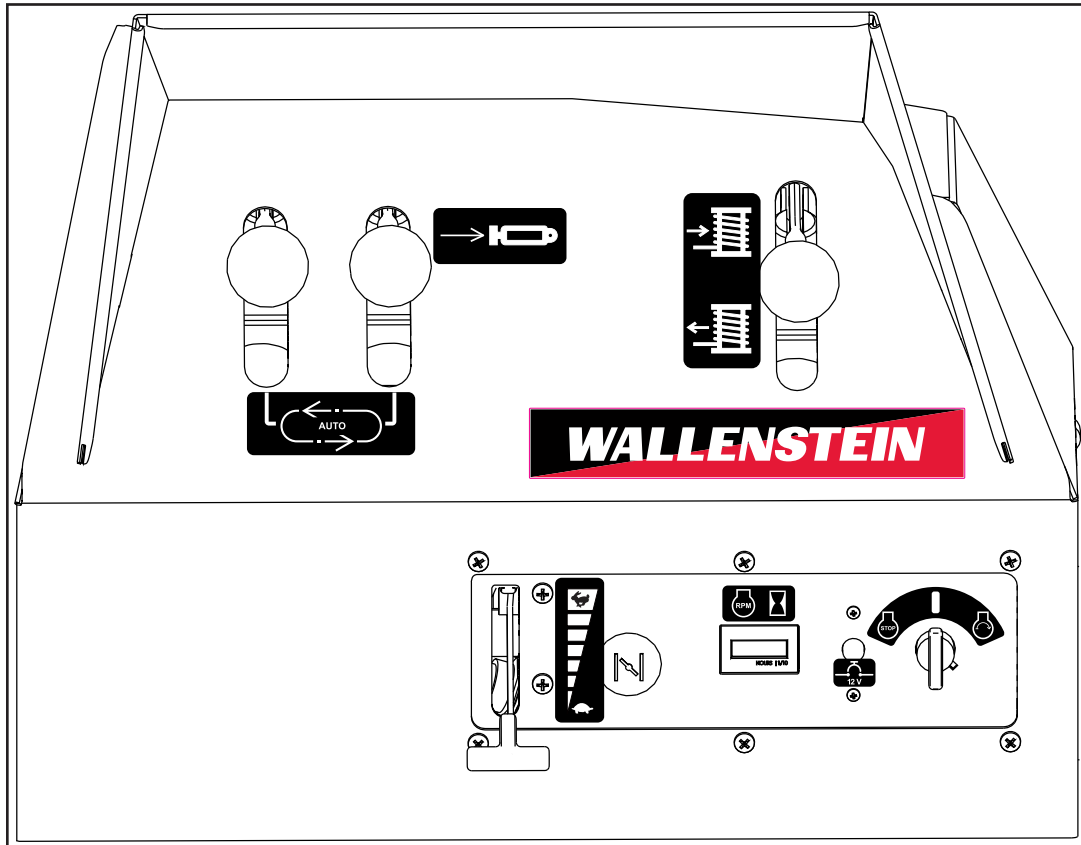
Decal Layout



1 per side

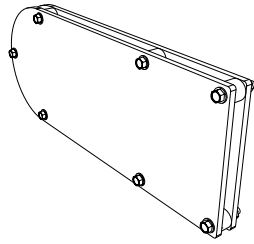


Control Panel Decals



Accessories

Call your dealer for pricing and availability



NYLON CHAINSAW HOLSTER P/N 2089A570

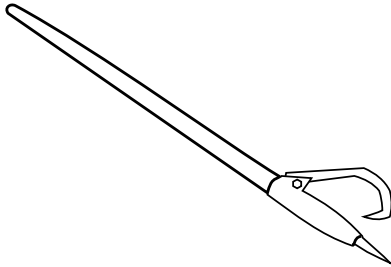
For models: **WP840, WP870**
easy to install, fastens to Wood Processor

Nylon holder, safely holds your chainsaw keeping it off the ground and out of the way!

6-WAY WEDGE – P/N 2089W572

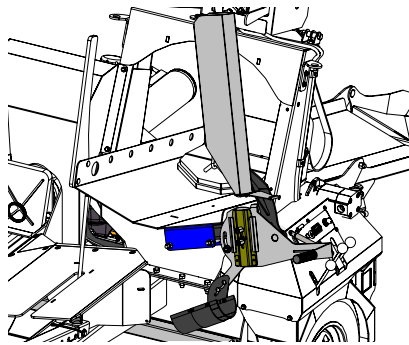
Easy to install in minutes, and you're ready to go!

6 way splitting wedge, Boost your productivity and make quick work out of chunks by splitting into six pieces at once. This is an ideal way to save time



48" LOG PEAVEY P/N Z99001

Helps to move those heavy log timbers into position, and finish getting your last logs through the Wood Processor!



PIVOTING CHAINSAW HOLDER P/N P201

For all WP Series

Easy mounting to most chain saws, the pivoting chain saw holder securely holds your saw in place allowing for easier cutting and saving time handling your chainsaw.

Available:

P211 Spare Pivoting Chainsaw Adaptor
Save time switching out chainsaws with a spare adaptor for your second chainsaw!


Common Bolt Torque Values

Checking Bolt Torque

The tables shown give correct torque values for various bolts and capscrews. Tighten all bolts to the torque values specified in the table, unless indicated otherwise. Check tightness of bolts periodically.

IMPORTANT! If replacing hardware, use fasteners of the same grade.

IMPORTANT! Torque figures indicated in the table are for non-greased or non-oiled threads. Do not grease or oil threads unless indicated otherwise. When using a thread locker, increase torque values by 5%.

 **NOTE:** Bolt grades are identified by their head markings.

Imperial Bolt Torque Specifications

| Bolt Diameter | Torque Value | | | | | |
|---------------|--------------|-----|-----------|-----|-----------|------|
| | SAE Gr. 2 | | SAE Gr. 5 | | SAE Gr. 8 | |
| | lbf•ft | N•m | lbf•ft | N•m | lbf•ft | N•m |
| 1/4" | 6 | 8 | 9 | 12 | 12 | 17 |
| 5/16" | 10 | 13 | 19 | 25 | 27 | 36 |
| 3/8" | 20 | 27 | 33 | 45 | 45 | 63 |
| 7/16" | 30 | 41 | 53 | 72 | 75 | 100 |
| 1/2" | 45 | 61 | 80 | 110 | 115 | 155 |
| 9/16" | 60 | 95 | 115 | 155 | 165 | 220 |
| 5/8" | 95 | 128 | 160 | 215 | 220 | 305 |
| 3/4" | 165 | 225 | 290 | 390 | 400 | 540 |
| 7/8" | 170 | 230 | 420 | 570 | 650 | 880 |
| 1" | 225 | 345 | 630 | 850 | 970 | 1320 |



SAE Gr. 2



SAE Gr. 5



SAE Gr. 8

Metric Bolt Torque Specifications

| Bolt Diameter | Torque Value | | | |
|---------------|--------------|-------|----------|-------|
| | Gr. 8.8 | | Gr. 10.9 | |
| | lbf•ft | N•m | lbf•ft | N•m |
| M3 | 0.4 | 0.5 | 1.3 | 1.8 |
| M4 | 2.2 | 3 | 3.3 | 4.5 |
| M6 | 7 | 10 | 11 | 15 |
| M8 | 18 | 25 | 26 | 35 |
| M10 | 37 | 50 | 52 | 70 |
| M12 | 66 | 90 | 92 | 125 |
| M14 | 83 | 112 | 116 | 158 |
| M16 | 166 | 225 | 229 | 310 |
| M20 | 321 | 435 | 450 | 610 |
| M30 | 1,103 | 1 495 | 1,550 | 2 100 |



8.8



10.9

Hydraulic Fitting Torque

Tightening Flare Type Tube Fittings

1. Check flare and flare seat for defects that might cause leakage.
2. Align tube with fitting before tightening.
3. Hand-tighten swivel nut until snug.
4. To prevent twisting the tube, use two wrenches. Place one wrench on the connector body and tighten the swivel nut with the second. Torque to values shown.

If a torque wrench is not available, use the FFFT (Flats From Finger Tight) method.

| Hydraulic Fitting Torque | | | | | |
|--------------------------|-----------------------|--------------|---------|-------------------------|-------|
| Tube Size OD | Hex Size Across Flats | Torque value | | Flats From Finger Tight | |
| | | lbf•ft | N•m | Flats | Turns |
| 3/16 | 7/16 | 6 | 8 | 2 | 1/6 |
| 1/4 | 9/16 | 11–12 | 15–17 | 2 | 1/6 |
| 5/16 | 5/8 | 14–16 | 19–22 | 2 | 1/6 |
| 3/8 | 11/16 | 20–22 | 27–30 | 1-1/4 | 1/6 |
| 1/2 | 7/8 | 44–48 | 59–65 | 1 | 1/6 |
| 5/8 | 1 | 50–58 | 68–79 | 1 | 1/6 |
| 3/4 | 1-1/4 | 79–88 | 107–119 | 1 | 1/8 |
| 1 | 1-5/8 | 117–125 | 158–170 | 1 | 1/8 |

Values shown are for non-lubricated connections.

Wheel Lug Torque Values

It is extremely important safety procedure to apply and maintain proper wheel mounting torque on your trailer axle. Torque wrenches are the best method to assure the proper amount of torque is being applied to a fastener.

Wheel lugs should be torqued before first road use and after each wheel removal. Check and re torque after the first 10 miles (16 km), 25 miles (40 km), and again at 50 miles (80 km). Check periodically thereafter.

NOTE: *Wheel lugs must be applied and maintained at the proper torque levels to prevent loose wheels, broken studs, and possible dangerous separation of wheels from your axle.*

- Start all lugs by hand to prevent cross threading.
- Tighten lugs in sequence, per wheel lug torque sequence chart.
- The tightening of the fasteners should be done in stages. Following the recommended sequence, tighten fasteners per wheel torque requirements chart.

| Wheel Lug Nut Torque | | | | |
|----------------------|---------------|------------------|------------------|--------------------|
| Wheel Size | Units | 1st Stage | 2nd Stage | 3rd Stage |
| 8" | lbf•ft N•m | 12–20 16–26 | 30–35 39–45.5 | 45–55 58.5–71.5 |
| 12" | lbf•ft N•m | 20–25 26–32.5 | 35–40 45.5–52 | 50–60 65–78 |
| 13" | lbf•ft N•m | 20–25 26–32.5 | 35–40 45.5–52 | 50–60 65–78 |
| 14" | lbf•ft N•m | 20–25 26–32.5 | 50–60 65–78 | 90–120 117–156 |
| 15" | lbf•ft N•m | 20–25 26–32.5 | 50–60 65–78 | 90–120 117–156 |
| 16" | lbf•ft N•m | 20–25 26–32.5 | 50–60 65–78 | 90–120 117–156 |

Wheel Lug Torque Pattern

