



GX920 Ranchho Backhoe

S/N 3920115 to S/N 3920135



Foreword

EMB Mfg. has prepared this parts manual to assist customers in ordering quality OEM replacement parts.

Proper and regular service and replacing old, worn or broken parts with the correct Wallenstein parts are essential to prolonging the life of your Wallenstein product. Please refer to this manual before ordering any replacement parts.

All information contained in this parts manual is based on the latest product specification available at the time of printing this manual. If your product differs from the specifications contained within this manual contact EMB Mfg. for information.

EMB reserves the right to alter specifications on their products at any time.

Reproduction of this parts manual of any kind is prohibited without prior written permission from EMB Mfg.

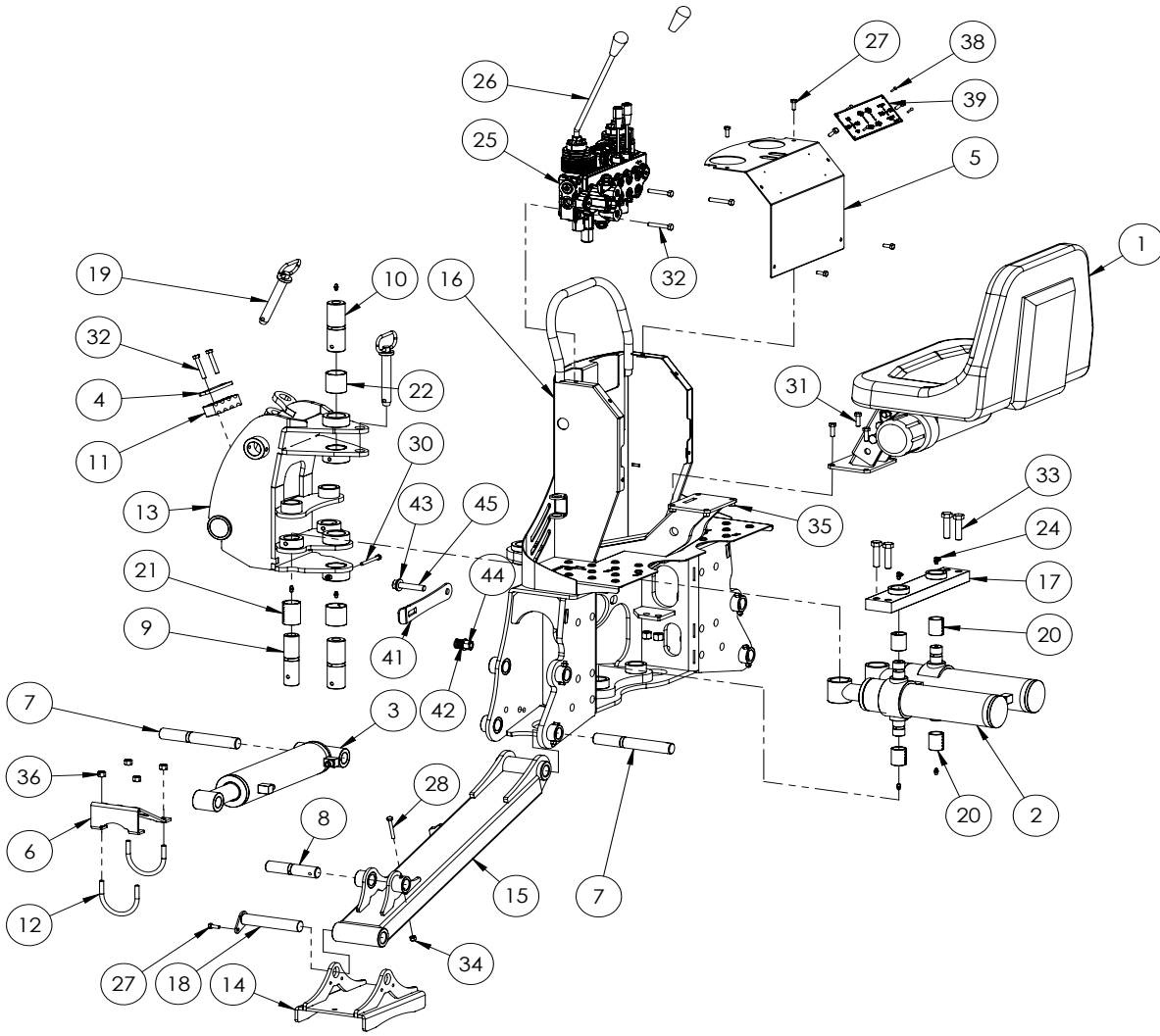
Note: Log splitters with factory installed light kits will have a VIN number included. The last six numbers of this VIN number are the splitters serial number

Example: 2E9US1112BSXXXXXX

Serial Number

Table of Contents

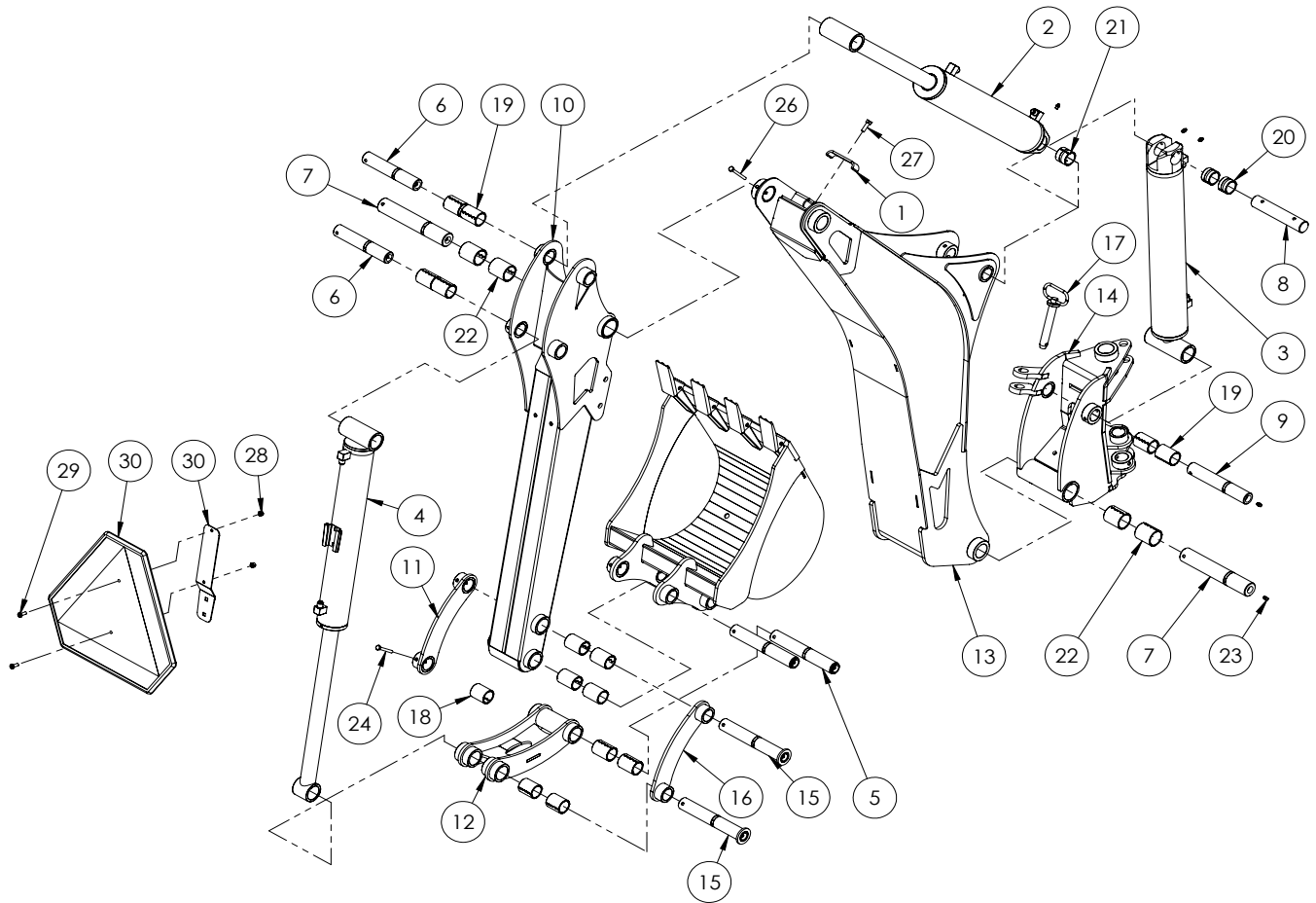
| | |
|--|----|
| Main Frame | 4 |
| Boom | 5 |
| Bucket & Seat Assembly | 7 |
| Hydraulic Schematic & Assembly | 9 |
| Cylinders | 10 |
| Valve & Parts | 12 |
| Hydraulic Thumb & Auxillary Valve (Optional) | 14 |
| Pump Kit (Optional) | 16 |
| Decals | 18 |



GX720 / GX920 MAIN BASE PARTS BREAKDOWN

| ITEM | PART NO. | Description | QTY. |
|------|----------|--------------------------------|------|
| 1 | 3011A102 | Seat Assembly | 1 |
| 2 | 3012C203 | Cylinder, 2-1/2 x 7-3/4 Stroke | 2 |
| 3 | 3012C204 | Cylinder, 2-1/2 x 9-1/2 Stroke | 2 |
| 4 | 3012L234 | Hose Clamp | 1 |
| 5 | 3012L238 | Shield, Control Valve | 1 |
| 6 | 3012L278 | Step, Stabilizer | 2 |
| 7 | 3012M206 | Pin, Linkage 1" | 4 |
| 8 | 3012M214 | Pin, Linkage 1" | 2 |
| 9 | 3012M220 | Pin, Linkage 1-1/4 | 2 |
| 10 | 3012M233 | Pin, Swing Cylinder | 2 |
| 11 | 3012S201 | Clamp, 8-Hose | 1 |
| 12 | 3012S204 | U-Bolt, Stab Step | 4 |
| 13 | 3012W205 | Swing Tower Assembly | 1 |
| 14 | 3012W207 | Foot Pad, Stabilizer | 2 |
| 15 | 3012W208 | Stabilizer, LH | 1 |
| 16 | 3012W210 | Base, Main Frame | 1 |
| 17 | 3012W214 | Bar, Swing Cylinder Retaining | 1 |
| 18 | 3012W218 | Flange Pin, Foot Pad | 2 |
| 19 | Z11242 | Hitch Pin 3/4 x 4-1/4 | 2 |
| 20 | Z27221 | Connex Bushing 1 x 1-1/2 | 4 |
| 21 | Z27232 | Connex Bushing 1-1/4 x 2 | 2 |
| 22 | Z27241 | Connex Bushing 1-1/2 x 1-3/4 | 2 |
| 23 | Z29202 | Grease Zerk 1/4NF | 12 |
| 24 | Z29203 | Grease Zerk 90, 1/4NF | 2 |
| 25 | Z56202 | Monoblock 6-Section Valve | 1 |

| ITEM | PART NO. | Description | QTY. |
|------|----------|-------------------------|------|
| 26 | Z56910 | Backhoe lever, bent 12" | 2 |
| 27 | Z71107 | Hex Bolt 1/4NC x 3/4 | 8 |
| 28 | Z71120 | Hex Bolt 1/4NC x 2 | 6 |
| 29 | Z71125 | Hex Bolt 1/4NC x 2-1/2 | 3 |
| 30 | Z71127 | Hex Bolt, 1/4NC x 2-3/4 | 2 |
| 31 | Z71210 | Hex Bolt 5/16NC x 1 | 4 |
| 32 | Z71220 | Hex Bolt 5/16NC x 2 | 5 |
| 33 | Z71520 | Hex Bolt 1/2NC x 2 | 4 |
| 34 | Z72111 | Hex Lock Nut 1/4NC | 11 |
| 35 | Z72221 | Hex Lock Nut, 5/16NC | 4 |
| 36 | Z72231 | Hex Lock Nut 3/8NC | 8 |
| 37 | Z72251 | Hex Lock Nut 1/2NC | 4 |
| 38 | Z79302 | Rivet, 1/8 x 1/2 | 4 |
| 39 | Z94035 | Plate, Control | 1 |
| 40 | 3012W209 | Stabilizer, RH | 1 |
| 41 | 3012L279 | Plate, Stabilizer Lock | 2 |
| 42 | Z32302 | Med Spring .845 x 1-1/4 | 2 |
| 43 | Z73151 | Flat Washer, 1/2 | 6 |
| 44 | Z72251 | Hex Lock Nut 1/2NC | 2 |
| 45 | Z71525 | Hex Bolt 1/2NC x 2-1/2 | 2 |

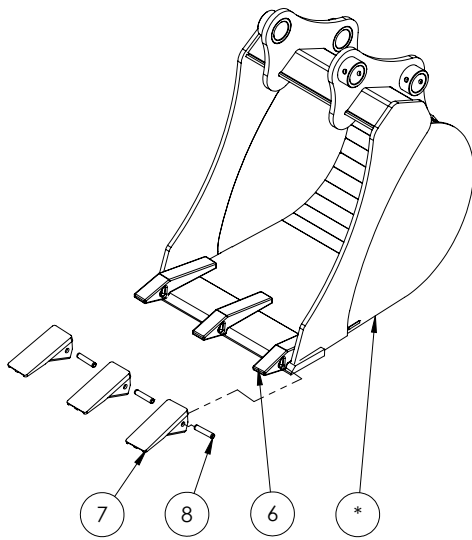


GX720 / GX920 BOOM PARTS BREAKDOWN

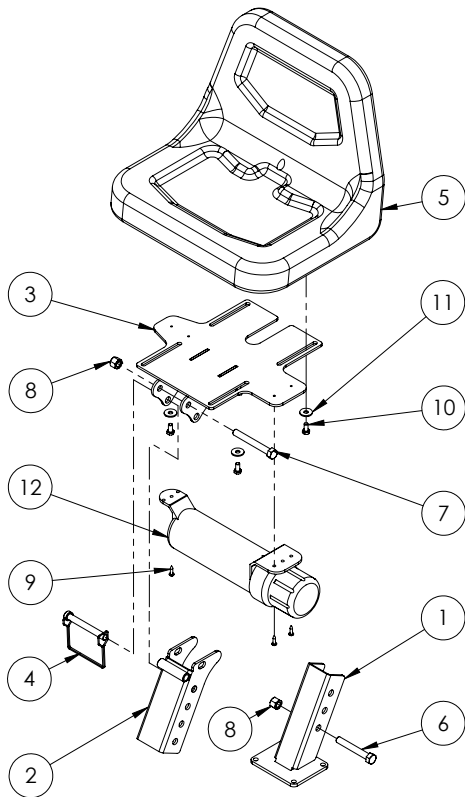
| ITEM | GX720 | GX920 | Description | QTY. |
|------|----------|----------|--------------------------------------|------|
| 1 | 3011L176 | | Clamp, Two Hose | 1 |
| 2 | 3012C205 | 3013C305 | Cylinder, 3 x 14-3/4 Stroke | 1 |
| 3 | 3012C206 | 3013C306 | Cylinder, 3 x 16-3/4 Stroke | 1 |
| 4 | 3012C207 | | Cylinder, 2-1/2x14-3/4 Stroke | 1 |
| 5 | 3012M209 | | Pin, Linkage 1-1/4 x 8-3/8 | 2 |
| 6 | 3012M210 | | Pin, Linkage 1-1/4 x 7 | 2 |
| 7 | 3012M213 | | Pin, Linkage 1-1/2 | 2 |
| 8 | 3012M215 | | Pin, Linkage 1-1/4 | 1 |
| 9 | 3012M236 | | Pin, Linkage 1-1/4 | 1 |
| 10 | 3012W201 | 3013W301 | Boom, Dipper | 1 |
| 11 | 3012W202 | | Linkage, LH Bucket | 1 |
| 12 | 3012W203 | | Linkage, Bucket | 1 |
| 13 | 3012W204 | 3013W304 | Boom, Main | 1 |
| 14 | 3012W205 | | Swing Tower Assembly | 1 |
| 15 | 3012W217 | | Bucket Pin w/ Washer | 2 |
| 16 | 3012W220 | | Linkage, RH Bucket | 1 |
| 17 | Z11242 | | Hitch Pin 3/4 x 4-1/4 | 1 |
| 18 | Z27231 | | Connex Bushing 1-1/4 x 1-3/4 | 3 |
| 19 | Z27232 | | Connex Bushing 1-1/4 x 2 | 12 |
| 20 | Z27233 | | Connex Bushing 1-1/4 x 1 Grooved | 2 |
| 21 | Z27234 | | Connex Bushing 1-1/4 x 1-1/4 Grooved | 1 |
| 22 | Z27242 | | Connex Bushing 1-1/2 x 2 | 4 |
| 23 | Z29202 | | Grease Zerk 1/4NF | 12 |
| 24 | Z71122 | | Hex Bolt 1/4NC x 2-1/4 | 6 |
| 25 | Z71125 | | Hex Bolt 1/4NC x 2-1/2 | 3 |
| 26 | Z71127 | | Hex Bolt, 1/4NC x 2-3/4 | 2 |
| 27 | Z71210 | | Hex Bolt 5/16NC x 1 | 1 |
| 28 | Z72111 | | Hex Lock Nut 1/4NC | 13 |
| 29 | Z78301 | | Pan Head Machine Screw 1/4NC x 3/4 | 2 |
| 30 | Z96605 | | SMV Spade & Socket | 1 |

This Page is Intentionally Blank

GX720 / GX920 BUCKETS



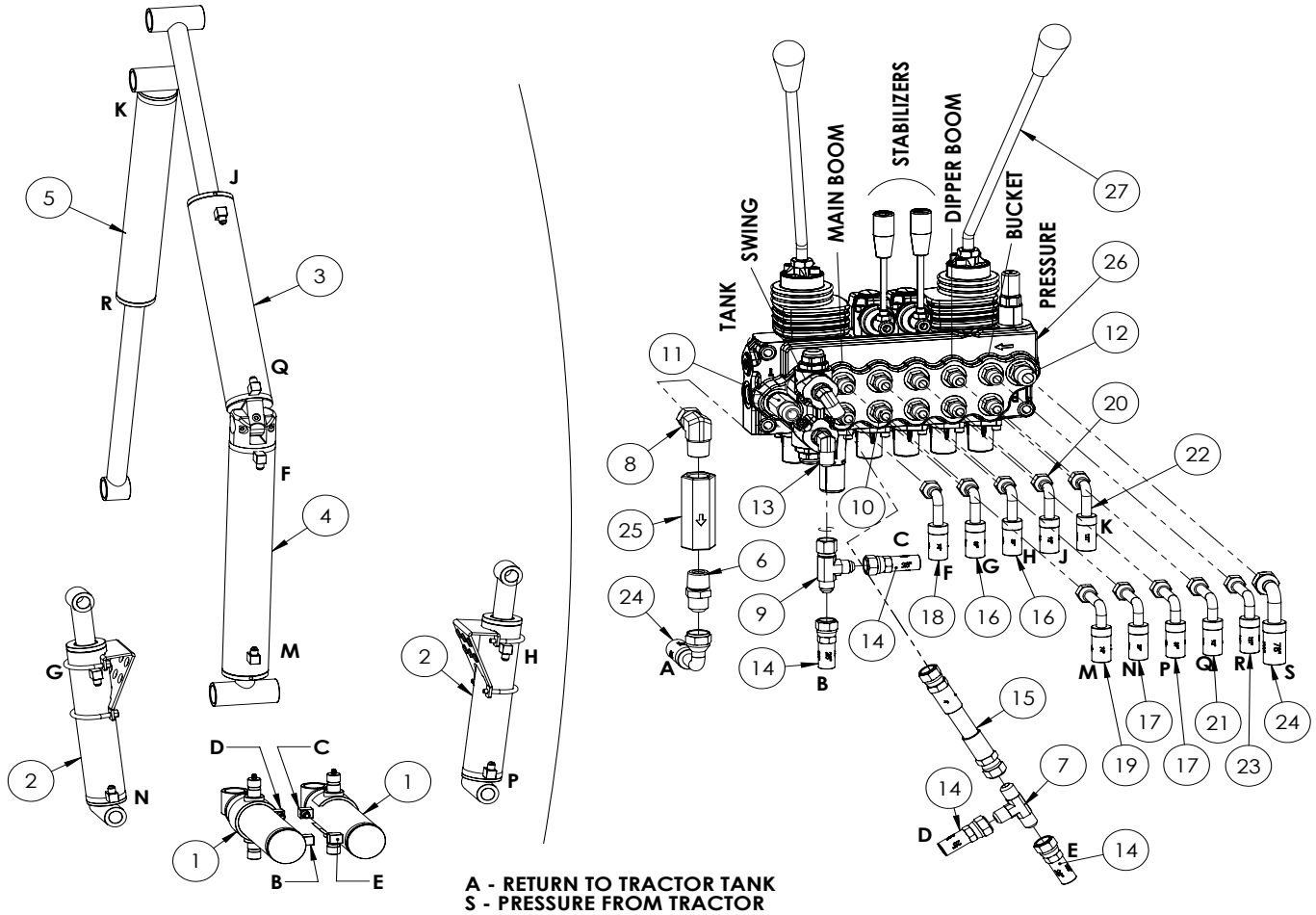
| ITEM | PART NO. | Description | QTY. |
|------|----------|------------------------|-------|
| * | 3082W041 | Bucket, 9" Large | |
| * | 3082W051 | Bucket, 12" Large | |
| * | 3082W061 | Bucket, 15" Large | |
| * | 3082W071 | Bucket, 18" Large | |
| * | 3082W081 | Bucket, 24" Large | |
| 6 | Z19901 | Stud, Backhoe Weld-on | 3,4,5 |
| 7 | Z19902 | Tooth, Backhoe Pin-on | 3,4,5 |
| 8 | Z14181 | Roll Pin, 5/16 x 1-1/2 | 3,4,5 |



GX720 / GX920 SEAT ASSEMBLY

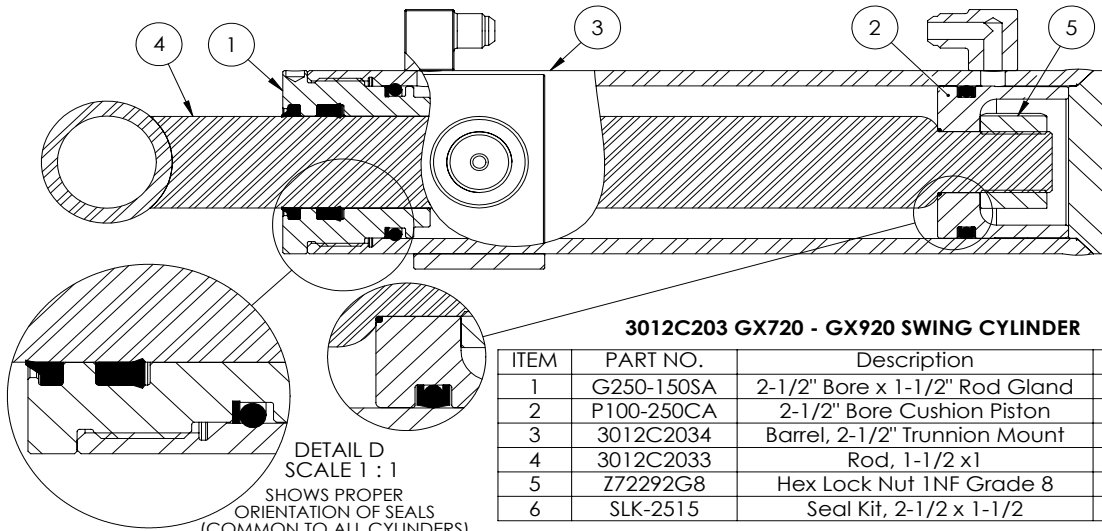
| ITEM | PART NO. | Description | QTY. |
|------|----------|-------------------------|------|
| 1 | 3011W111 | Base, Seat | 1 |
| 2 | 3011W112 | Mount, Seat | 1 |
| 3 | 3011W113 | Plate, Seat | 1 |
| 4 | Z12441 | Snapper Pin 1/2 x 4-1/2 | 1 |
| 5 | Z19201 | High-Back Seat | 1 |
| 6 | Z71535 | Hex Bolt 1/2NC x 3-1/2 | 1 |
| 7 | Z71540 | Hex Bolt 1/2NC x 4 | 1 |
| 8 | Z72251 | Hex Lock Nut 1/2NC | 2 |
| 9 | Z76712 | Self-tapping Screw #10 | 3 |
| 10 | Z77152 | Hex Bolt, M8 x 16mm | 4 |
| 11 | Z77352 | Washer, M8 | 4 |
| 12 | Z96502 | Manual Tube 3-1/2 | 1 |

This Page is Intentionally Blank



GX720 / GX920 HYDRAULIC SCHEMATIC AND PARTS

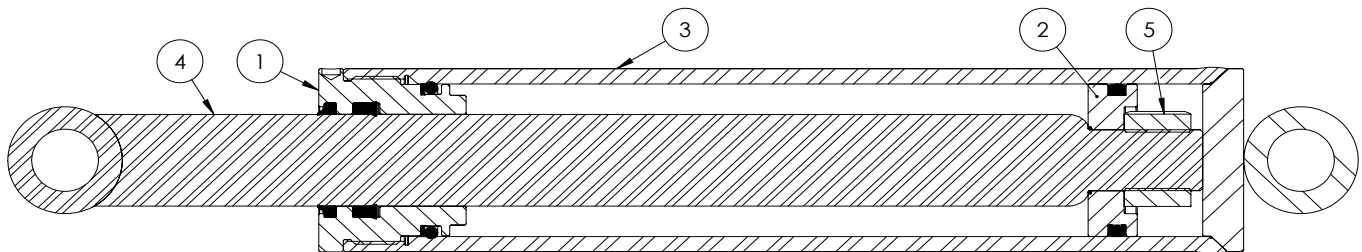
| ITEM | GX720 | GX920 | Description | QTY. |
|------|----------|----------|---------------------------------------|------|
| 1 | 3012C203 | | Cylinder, 2-1/2 x 7-3/4 Stroke | 2 |
| 2 | | 3012C204 | Cylinder, 2-1/2 x 9-1/2 Stroke | 2 |
| 3 | 3012C205 | 3013C305 | Cylinder, 3 x 14-3/4 Stroke | 1 |
| 4 | 3012C206 | 3013C306 | Cylinder, 3 x 16-3/4 Stroke | 1 |
| 5 | | 3012C207 | Cylinder, 2-1/2x14-3/4 Stroke | 1 |
| 6 | | Z51442 | #8 JIC x 1/2NPT | 1 |
| 7 | | Z51483 | #6JIC x #6JIC x #6JIC Tee | 1 |
| 8 | | Z51521 | 1/2NPT x #8JIC Fem Swivel | 1 |
| 9 | | Z51592 | Tee MJIC x FJIC x MJIC 060606 | 1 |
| 10 | | Z51641 | #6ORB x #6JIC | 10 |
| 11 | | Z51642 | #8ORB x #8JIC Long Custom | 1 |
| 12 | | Z51643 | #8ORB x #8JIC | 1 |
| 13 | | Z51651 | #6JIC x #6ORB 90 Elbow | 2 |
| 14 | | Z52102 | 1/4 Hose, #6FJIC x #6FJIC x 28" | 4 |
| 15 | | Z52217 | 3/8 Hose, #6FJIC x #6FJIC x 4 | 1 |
| 16 | | Z52218 | 3/8 Hose, #6FJIC x #6FJIC 90 x 39" | 2 |
| 17 | | Z52219 | 3/8 Hose, #6FJIC x #6FJIC 90lg x 39" | 2 |
| 18 | | Z52220 | 3/8 Hose, #6FJIC x #6FJIC 90 x 74" | 1 |
| 19 | | Z52221 | 3/8 Hose, #6FJIC x #6FJIC 90lg x 74" | 1 |
| 20 | Z52222 | Z52226 | 3/8 Hose, #6FJIC x #6FJIC 90 x 92" | 1 |
| 21 | Z52223 | Z52227 | 3/8 Hose, #6FJIC x #6FJIC 90lg x 92" | 1 |
| 22 | Z52224 | Z52228 | 3/8 Hose, #6FJIC x #6FJIC 90 x 121" | 1 |
| 23 | Z52225 | Z52229 | 3/8 Hose, #6FJIC x #6FJIC 90lg x 121" | 1 |
| 24 | | Z52306 | 1/2 Hose, #8FJIC 90 x 1/2NPT x 78" | 2 |
| 25 | | Z56102 | Check Valve 1/2FNPT 0PSI | 1 |
| 26 | | Z56202 | Monoblock 6-Section Valve | 1 |
| 27 | | Z56910 | Backhoe lever, bent 12" | 2 |



3012C203 GX720 - GX920 SWING CYLINDER

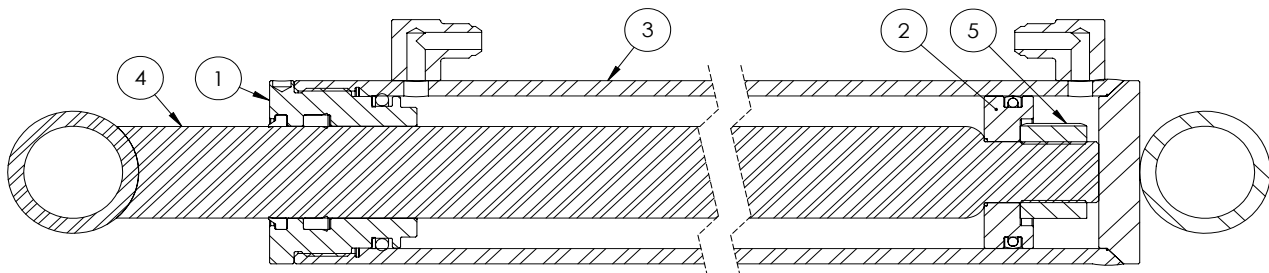
| ITEM | PART NO. | Description | QTY. |
|------|------------|--------------------------------|------|
| 1 | G250-150SA | 2-1/2" Bore x 1-1/2" Rod Gland | 1 |
| 2 | P100-250CA | 2-1/2" Bore Cushion Piston | 1 |
| 3 | 3012C2034 | Barrel, 2-1/2" Trunnion Mount | 1 |
| 4 | 3012C2033 | Rod, 1-1/2 x1 | 1 |
| 5 | Z72292G8 | Hex Lock Nut 1NF Grade 8 | 1 |
| 6 | SLK-2515 | Seal Kit, 2-1/2 x 1-1/2 | 1 |

DETAIL D
SCALE 1 : 1
SHOWS PROPER
ORIENTATION OF SEALS
(COMMON TO ALL CYLINDERS)



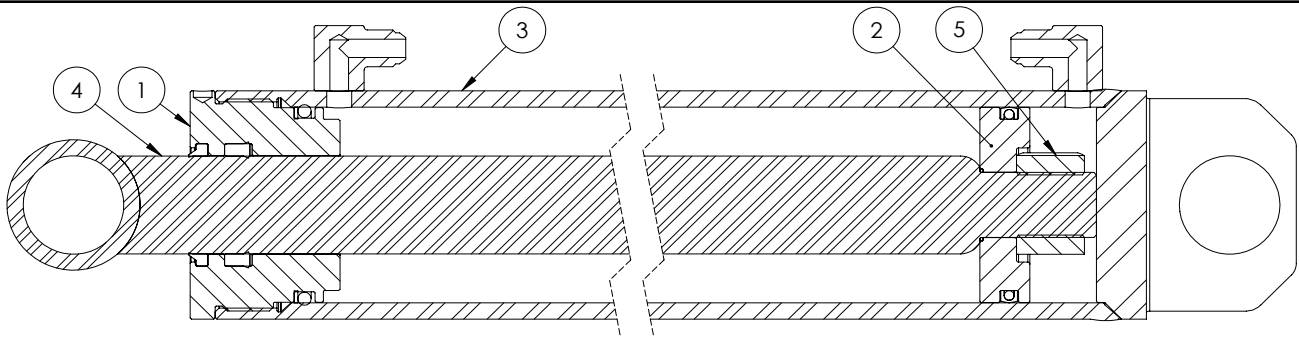
3012C204 GX720 - GX920 STABILIZER CYLINDER

| ITEM | PART NO. | Description | QTY. |
|------|------------|--------------------------------|------|
| 1 | G250-150SA | 2-1/2" Bore x 1-1/2" Rod Gland | 1 |
| 2 | P100-250SA | 2-1/2" Bore Piston | 1 |
| 3 | 3012C2044 | Barrel, 2-1/2" Bore | 1 |
| 4 | 3012C2043 | Rod, 1-1/2 x1 | 1 |
| 5 | Z72292G8 | Hex Lock Nut 1NF Grade 8 | 1 |
| 6 | SLK-2515 | Seal Kit, 2-1/2 x 1-1/2 | 1 |



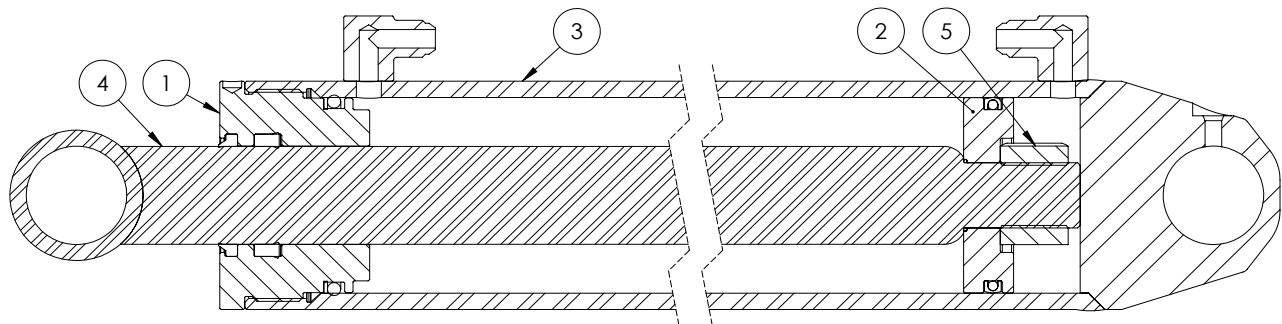
3012C207 GX720 - GX920 BUCKET CYLINDER

| ITEM | PART NO. | Description | QTY. |
|------|------------|--------------------------------|------|
| 1 | G250-150SA | 2-1/2" Bore x 1-1/2" Rod Gland | 1 |
| 2 | P100-250SA | 2-1/2" Bore Piston | 1 |
| 3 | 3012C2074 | Barrel, 2-1/2" Bore | 1 |
| 4 | 3012C2073 | Rod, 1-1/2 x1 | 1 |
| 5 | Z72292G8 | Hex Lock Nut 1NF Grade 8 | 1 |
| 6 | SLK-2515 | Seal Kit, 2-1/2 x 1-1/2 | 1 |



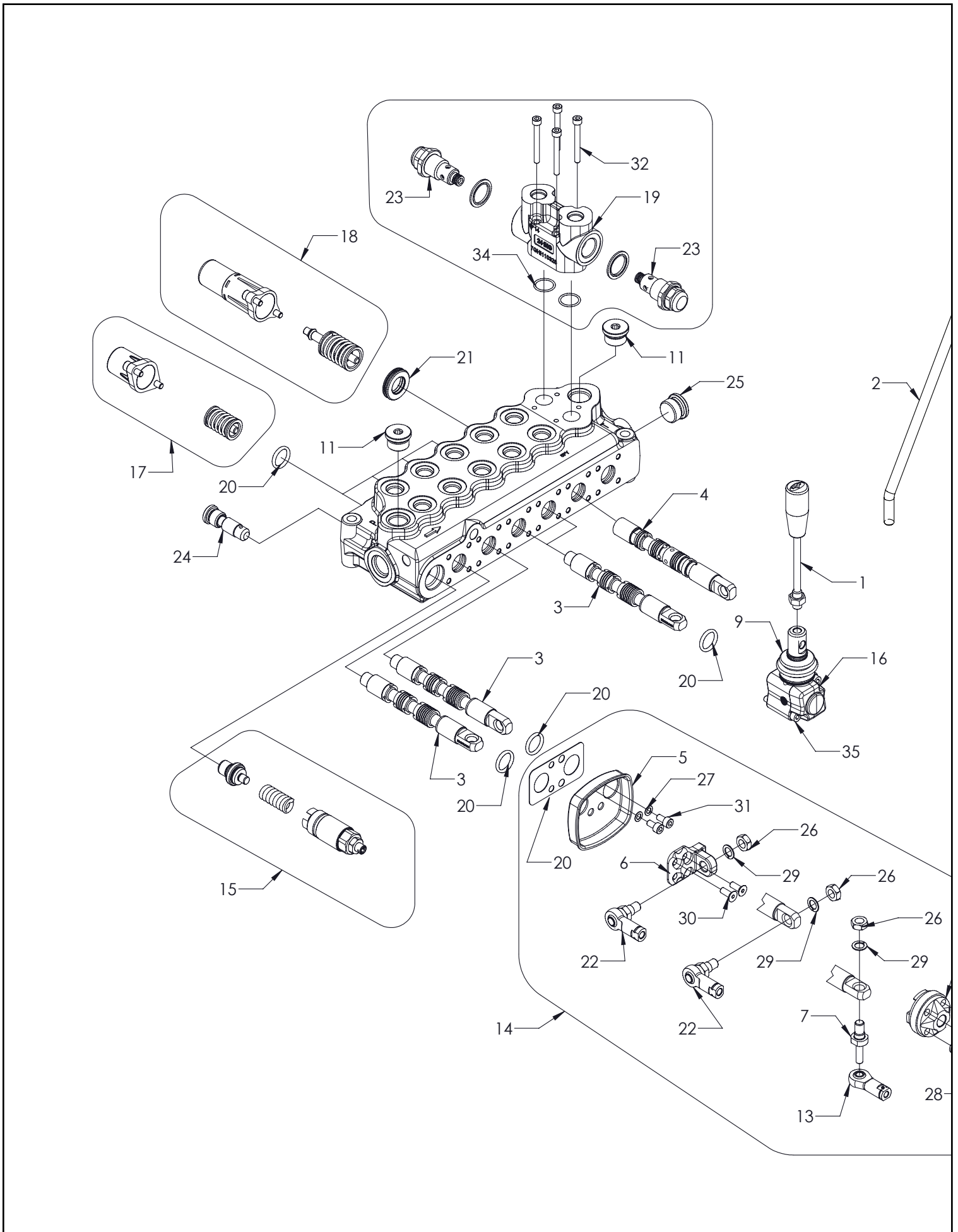
**GX720 - 3012C206
GX920 - 3013C306 MAIN BOOM CYLINDERS**

| ITEM | GX720 | GX920 | Description | QTY. |
|------|------------|-----------|----------------------------|------|
| 1 | G300-150SA | | 3" Bore x 1-1/2" Rod Gland | 1 |
| 2 | P100-300SA | | 3" Bore Piston | 1 |
| 3 | 3012C2064 | 3013C3064 | Barrel, 3" Clevis Butt | 1 |
| 4 | 3012C2063 | 3013C3063 | Rod, 1-1/2 x1 | 1 |
| 5 | Z72292G8 | | Hex Lock Nut 1NF Grade 8 | 1 |
| 6 | SLK-3015 | | Seal Kit, 3 x 1-1/2 | 1 |



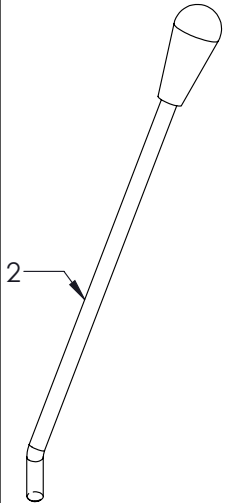
**GX720 - 3012C205
GX920 - 3013C305 DIPPER BOOM CYLINDERS**

| ITEM | GX720 | GX920 | Description | QTY. |
|------|------------|-----------|----------------------------|------|
| 1 | G300-150SA | | 3" Bore x 1-1/2" Rod Gland | 1 |
| 2 | P100-300SA | | 3" Bore Piston | 1 |
| 3 | 3012C2054 | 3013C3054 | Barrel, 3" Bore | 1 |
| 4 | 3012C2053 | 3013C3053 | Rod, 1-1/2 x1 | 1 |
| 5 | Z72292G8 | | Hex Lock Nut 1NF Grade 8 | 1 |
| 6 | SLK-3015 | | Seal Kit, 3 x 1-1/2 | 1 |

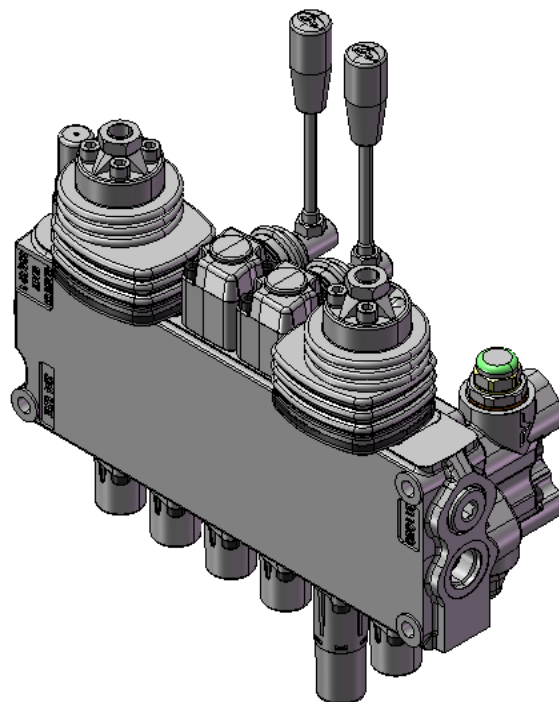
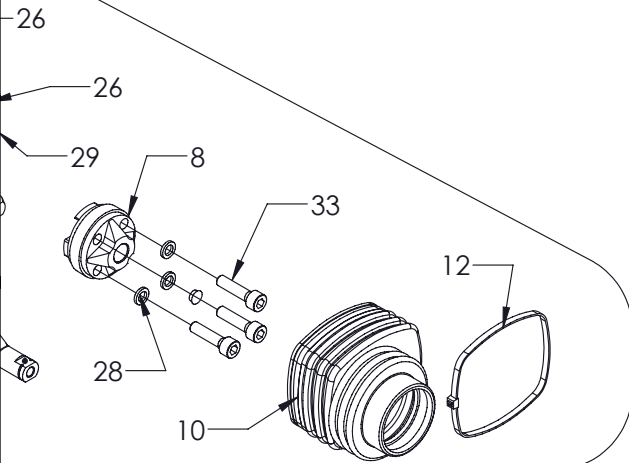


Z56202 VALVE PARTS BREAKDOWN

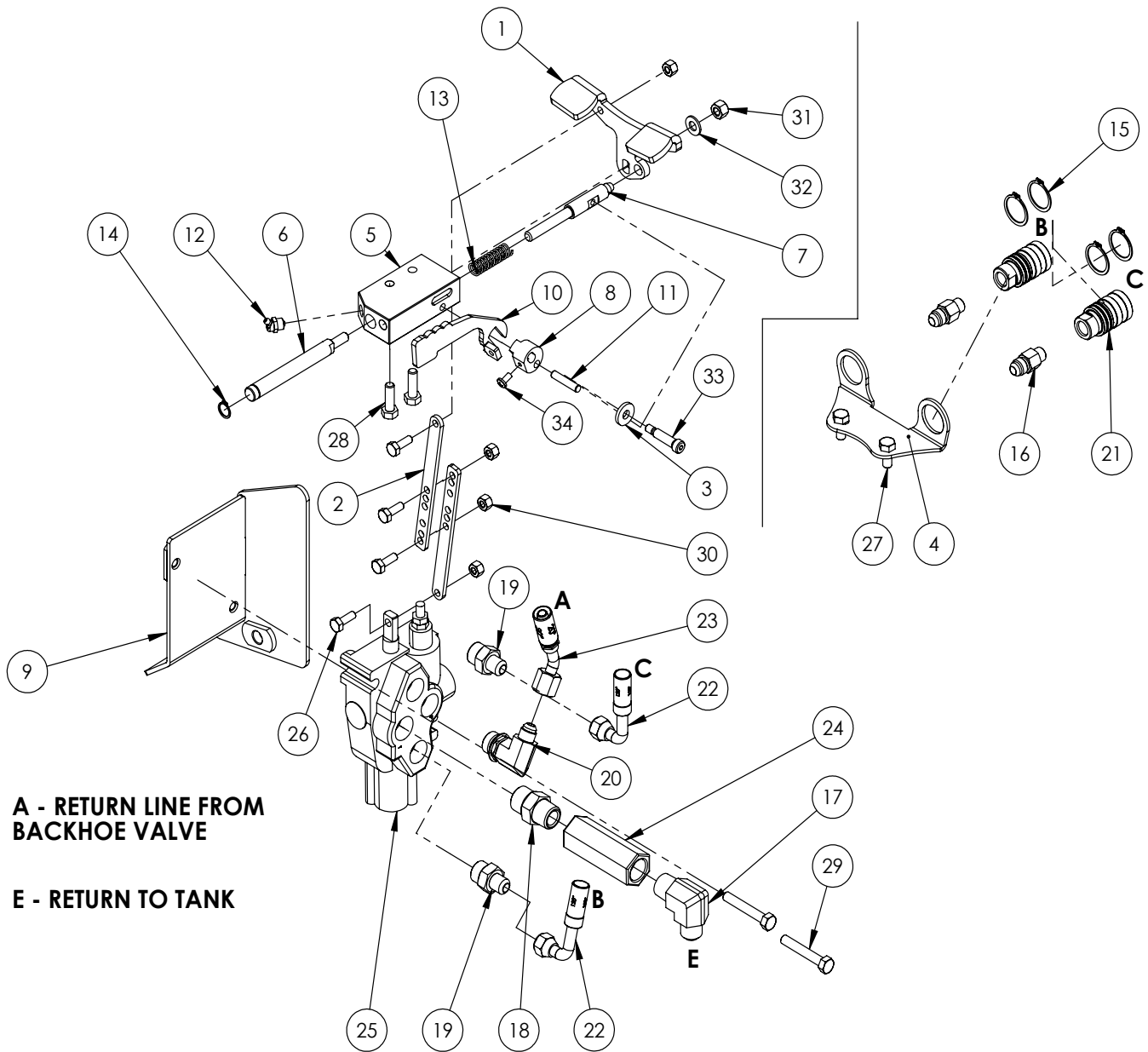
| ITEM | PART NO. | DESCRIPTION | QTY. |
|------|---------------|--|--------|
| 1 | 170011012 | AL01/M8X120 HANDLEVER (SHORT) | 2 |
| 2 | Z56910 | AL08/M12X350 BENT LEVER (LONG) | 2 |
| 3 | 3CU1210133 | TIGHT FIT SPOOL | 4 |
| 4 | 3CU1245620 | FLOAT SPOOL | 1 |
| 5 | 3FLA125130 | LCB5 FLANGE | 2 |
| 6 | 3FUL220101 | LCB5 FULCRUM | 2 |
| 7 | 3PER515415 | LCB5 SPOOL PIN | 2 |
| 8 | 3POR340241 | LCB5 ADAPTER HANDLE | 2 |
| 9 | 3SOF136240 | L5 RUBBER BOOT ONLY | 2 |
| 10 | 3SOF200701 | LCB5 RUBBER BOOT | 2 |
| 11 | 3XTAP822150 | PLUG SAE8 | 2 |
| 12 | 4ACC210 | TIE STRAP | 2 |
| 13 | 4ART706020 | LCB6 TUTHILL | 2 |
| 14 | 5CLO206100 | LCB6 COMPLETE JOYSTICK KIT | 2 |
| 15 | 5KIT105413 | RELIEF VALVE | 1 |
| 16 | 5LEV105000 | L5 LEVER BOX | 2 |
| 17 | 5V08105000 | SPRING CENTER KIT | 4 |
| 18 | 5V13405020 | FLOAT KIT | 1 |
| 19 | 602001101 | PORT RELIEF BLOCK | 1 |
| 20 | SK SD5/6 | VALVE SEAL KIT (12 O-RINGS, 2 GASKETS) | 1 |
| 21 | XANE228061 | RING | 1 |
| 22 | XART706020 | LCB6 TUTHILL WITH BOLT | 4 |
| 23 | XCAR211113 | PORT RELIEF CARTRIDGE | 2 |
| 24 | XKIT005000 | LOAD CHECK | 1 |
| 25 | XTAP623170 | OPEN CENTER PLUG | 1 |
| | AEK SD5 | CLOSED CENTER PLUG | OPTION |
| 26 | Z77252 | JAM NUT M8x1.25 | 10 |
| 27 | Z77321 | LOCK WASHER M5 | 8 |
| 28 | Z77331 | LOCK WASHER M6 | 6 |
| 29 | Z77354 | LOCK WASHER M8 | 6 |
| 30 | Z77521 | FHCS M5x0.8x14mm | 8 |
| 31 | Z77522 | SHCS M5x0.8x10mm | 8 |
| 32 | Z77523 | SHCS M5x0.8x45mm | 4 |
| 33 | Z77531 | SHCS M6x1.0x25mm | 6 |
| 34 | OR 17.18X1.78 | PORT RELIEF O-RING | 2 |
| 35 | Z77524 | SHCS M5x0.8x35mm | 8 |



16



Hydraulic Thumb & Auxillary Valve (Optional)

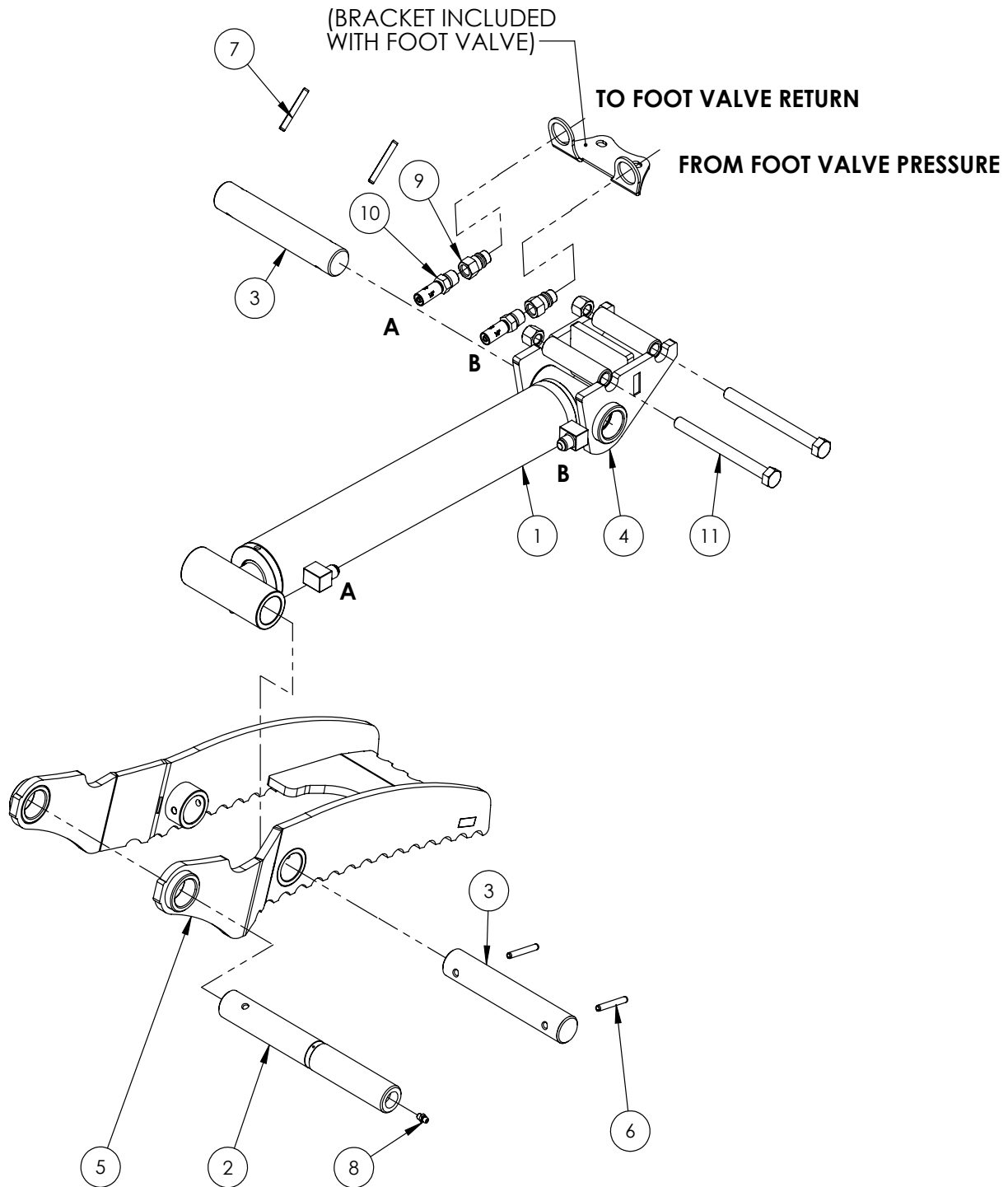


A - RETURN LINE FROM BACKHOE VALVE

E - RETURN TO TANK

GX720/920 AUXILLIARY VALVE PARTS BREAKDOWN

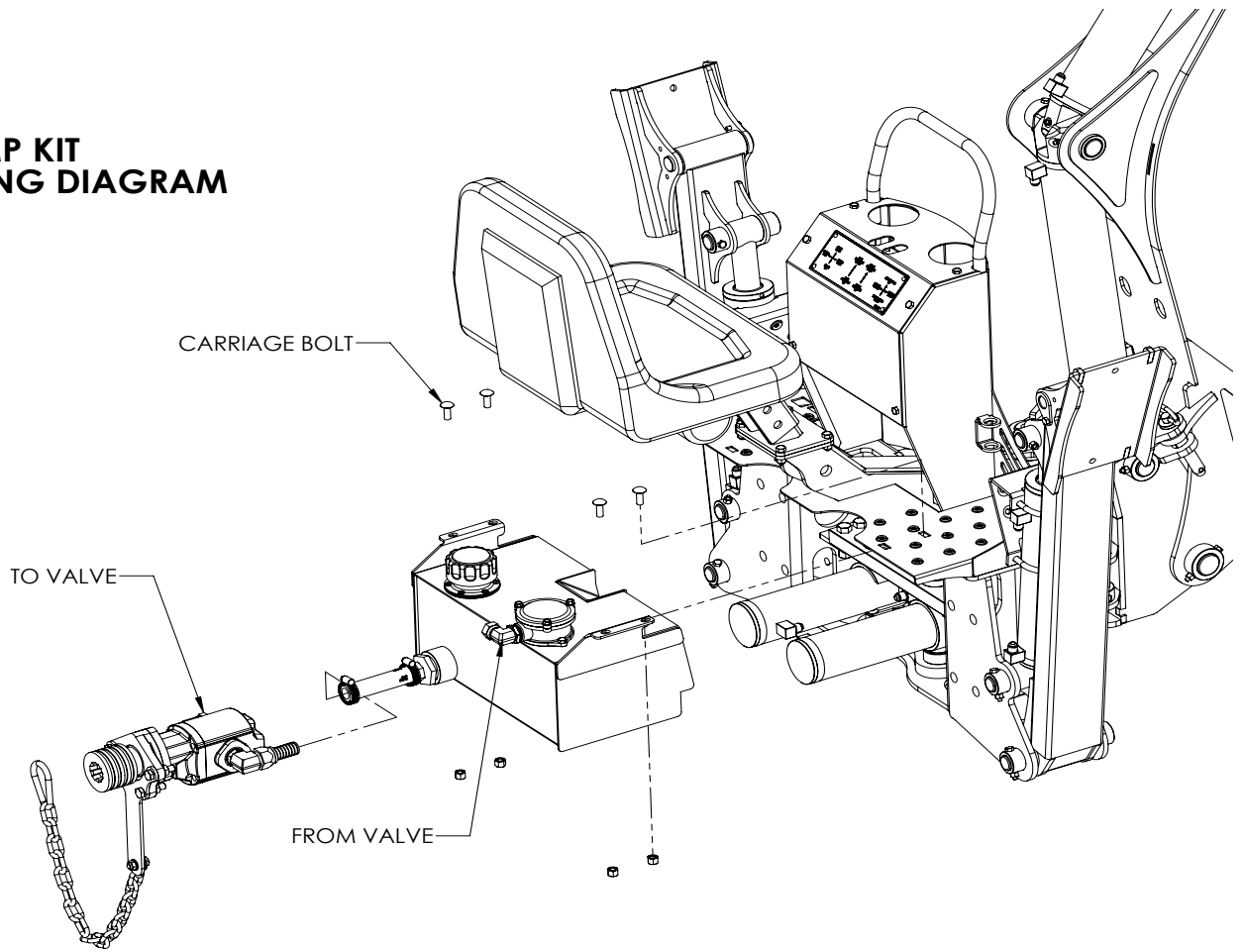
| ITEM | PART NO. | Description | QTY. | ITEM | PART NO. | Description | QTY. |
|------|----------|-----------------------------|------|------|----------|-------------------------------------|------|
| 1 | 3083L083 | Pedal, Foot Rocker | 1 | 18 | Z51611 | #10 ORB x 1/2NPT | 1 |
| 2 | 3083L084 | Link, Adjustable Valve | 2 | 19 | Z51644 | #8ORB x #6JIC | 2 |
| 3 | 3083L088 | Washer, Capture | 1 | 20 | Z51655 | #6JIC x #8ORB 90 | 1 |
| 4 | 3083L094 | Bracket, Quick-connect Hose | 1 | 21 | Z51918 | 1/4FNPT x Safeway (Female) | 2 |
| 5 | 3083M081 | Block, Pedal Rocker | 1 | 22 | Z52113 | 1/4 Hose, #6FJIC x #6FJIC 90 x 120" | 2 |
| 6 | 3083M082 | Shaft, Rocker | 1 | 23 | Z52230 | 3/8 Hose, #8FJIC x #6FJIC 45 x 20 | 1 |
| 7 | 3083M083 | Shaft, Lock | 1 | 24 | Z56102 | Check Valve 1/2FNPT 0PSI | 1 |
| 8 | 3083M084 | Cam, Side Rotating | 1 | 25 | Z56205 | Single Function Valve | 1 |
| 9 | 3083W081 | Bracket, Valve | 1 | 26 | Z71107 | Hex Bolt 1/4NC x 3/4 | 4 |
| 10 | 3083W082 | Weldment, Safety Bar | 1 | 27 | Z71207 | Hex Bolt 5/16NC x 3/4 | 2 |
| 11 | Z13172 | Dowel Pin, 1/4 x 1-1/4 | 1 | 28 | Z71210 | Hex Bolt 5/16NC x 1 | 2 |
| 12 | Z29204 | Grease Fitting, 1/8NPT x 45 | 1 | 29 | Z71220 | Hex Bolt 5/16NC x 2 | 2 |
| 13 | Z32304 | Spring, 1/2 x 1-3/4 Medium | 1 | 30 | Z72111 | Hex Lock Nut 1/4NC | 4 |
| 14 | Z46201 | Retaining Ring, 1/2 | 1 | 31 | Z72221 | Hex Lock Nut, 5/16NC | 1 |
| 15 | Z46204 | External Retaining Ring, 1" | 4 | 32 | Z73120 | Washer, 5/16 | 1 |
| 16 | Z51444 | #6JIC x 1/4NPT | 2 | 33 | Z75521 | Shoulder Bolt 5/16 x 1 | 1 |
| 17 | Z51451 | #8JIC x 1/2NPT 90 Elbow | 1 | 34 | Z78302 | Machine Screw #10NF x 3/8 | 1 |

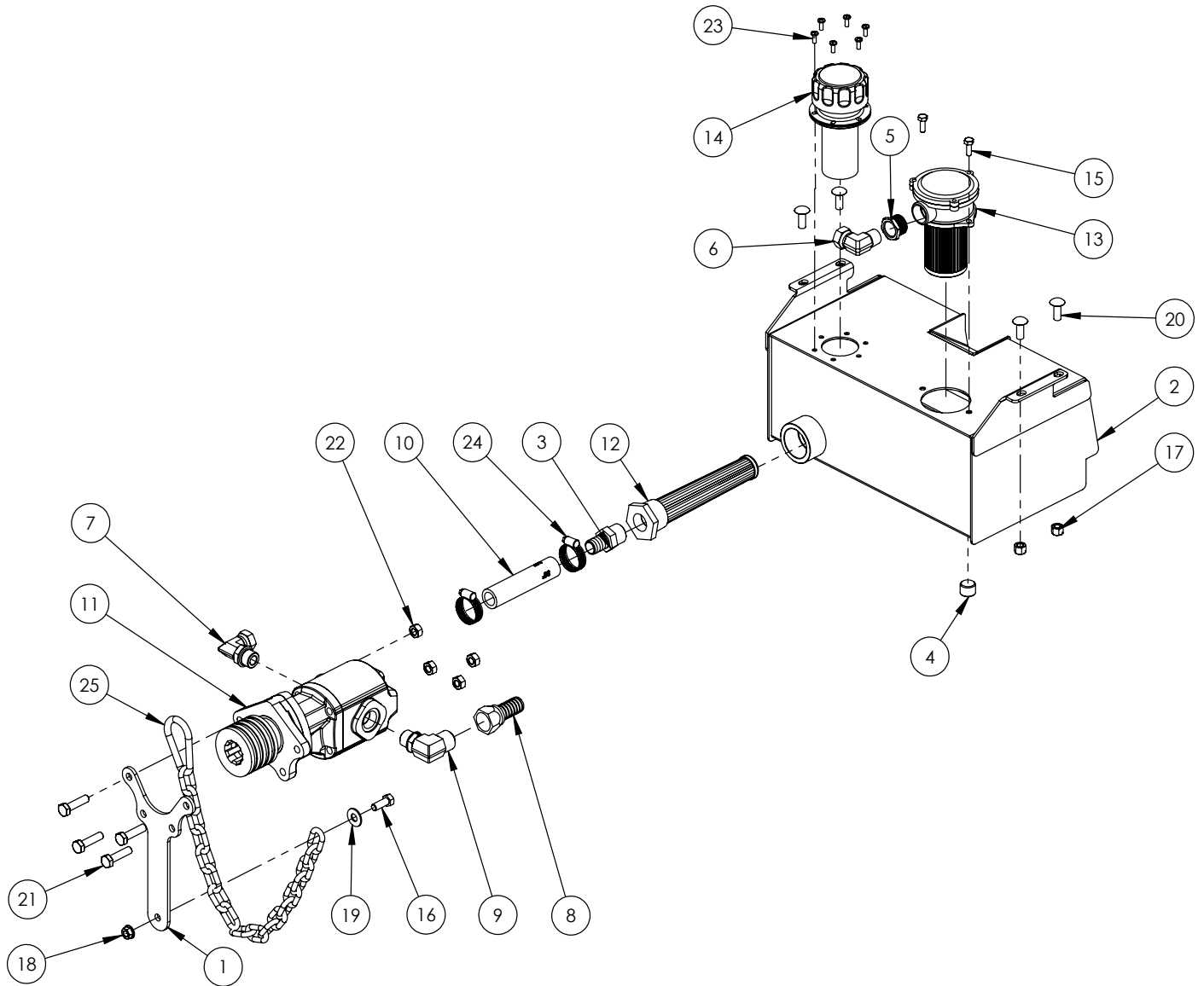


BT5300 HYDRAULIC THUMB PARTS BREAKDOWN

| ITEM | PART NO. | Description | QTY. |
|------|----------|--------------------------------|------|
| 1 | 3083C092 | Cylinder, 2-1/4x1-1/4x | 1 |
| 2 | 3083M074 | Pin, Extended Bucket - Thumb | 1 |
| 3 | 3083M093 | Pin, Cylinder Mount | 2 |
| 4 | 3083W090 | Weldment, Lug | 1 |
| 5 | 3083W091 | Weldment, Thumb | 1 |
| 6 | Z14172 | Roll Pin, 1/4 x 1-3/4 | 2 |
| 7 | Z14173 | Roll Pin, 1/4 x 2 | 2 |
| 8 | Z29202 | Grease Zerk 1/4NF | 3 |
| 9 | Z51917 | 1/4FNPT x Safeway S41-2 | 2 |
| 10 | Z52112 | 1/4 Hose, 3/8NPT x #6FJIC x 18 | 2 |
| 11 | Z71555 | Hex Bolt 1/2NC x 5-1/2 | 2 |

PTO PUMP KIT MOUNTING DIAGRAM



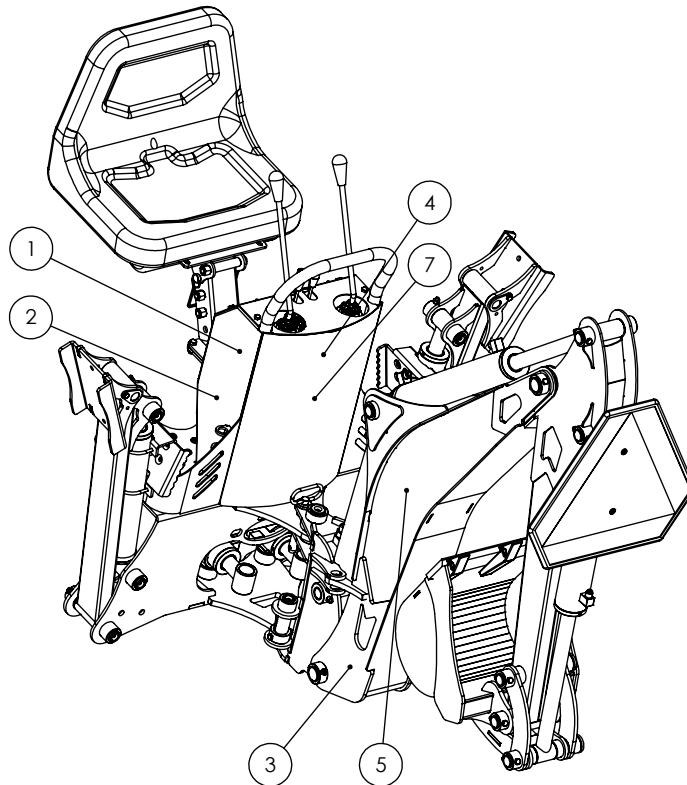
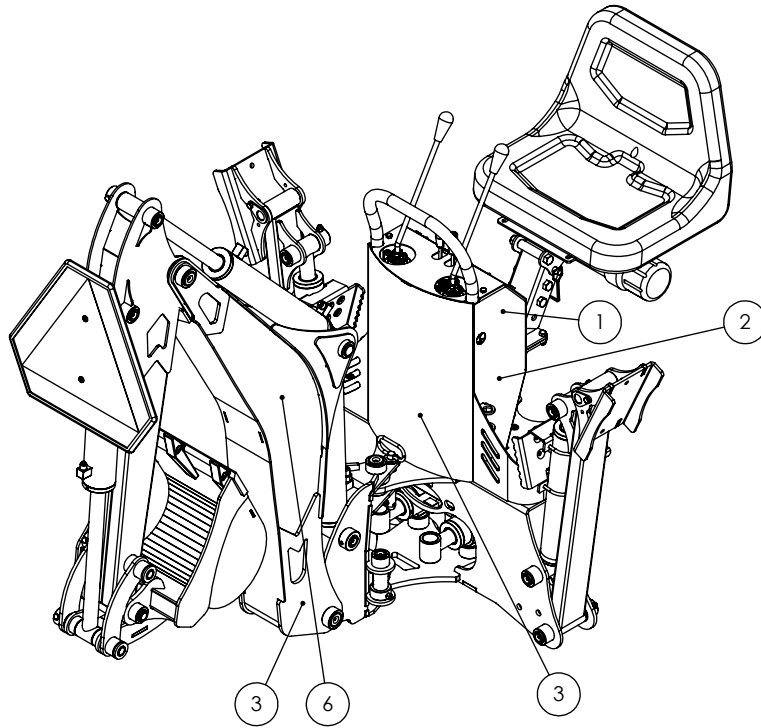


PTO72 PUMP KIT PARTS BREAKDOWN

| ITEM | PART NO. | DESCRIPTION | QTY |
|------|----------|----------------------------|-----|
| 1 | 3081L107 | Lever, Stop | 1 |
| 2 | 3081W151 | Tank, 3-1/4 Gallon | 1 |
| 3 | Z51181 | 3/4NPT x 3/4 Hose Barb | 1 |
| 4 | Z51192 | Socket Plug 1/2NPT | 1 |
| 5 | Z51221 | Reducer FP x MP 1208 | 1 |
| 6 | Z51331 | Elbow 90 MP x FPX 0808 | 1 |
| 7 | Z51384 | #10ORB x 1/2FNPT 90 Elbow | 1 |
| 8 | Z51591 | #12JIC x 3/4 Hose Barb | 1 |
| 9 | Z51654 | #12JIC x #10ORB 90 Elbow | 1 |
| 10 | Z52403 | 3/4 Plain Hose x 36" | 1 |
| 11 | Z53102 | Pump, 2.38 CIR | 1 |
| 12 | Z55101 | Tank Strainer, Suction | 1 |
| 13 | Z55201 | Tank Mounted Return Filter | 1 |
| 14 | Z55401 | Breather Filler Cap | 1 |
| 15 | Z71107 | Hex Bolt 1/4NC x 3/4 | 2 |
| 16 | Z71310 | Hex Bolt 3/8NC x 1 | 1 |
| 17 | Z72231 | Hex Lock Nut 3/8NC | 4 |
| 18 | Z72531 | Flange Nut 3/8NC | 1 |
| 19 | Z73230 | Wide Flat Washer 3/8 | 1 |
| 20 | Z76231 | Carriage Bolt 3/8NC x 1 | 4 |
| 21 | Z77161 | Hex Bolt, M10 x 40mm | 4 |
| 22 | Z77260 | Hex Nut, M10 | 4 |
| 23 | Z78303 | Machine Screw #10NF x 1/2 | 6 |
| 24 | Z79401 | Hose Clamp, #16 | 2 |
| 25 | Z92303 | Safety Chain 1/4 x 2' | 1 |

GX920 DECAL BREAKDOWN

| ITEM | PART NO. | DESCRIPTION | QTY |
|------|----------|----------------------------|-----|
| 1 | Z94036 | CAUTION - Read Manual | 2 |
| 2 | Z94037 | Moving Boom Hazard | 2 |
| 3 | Z94038 | WARNING - Install Lock Pin | 3 |
| 4 | Z94019 | Made in Canada | 3 |
| 5 | Z94025 | GX920 RH Curved Decal | 1 |
| 6 | Z94026 | GX920 LH Curved Decal | 1 |
| 7 | Z94054 | Wallenstein Ranchho | 1 |



GX920 Decals

Z94054



Z94019



Z94025



Z94038



Z94026



Z94036



Z94037





WALLENSTEIN Products Manufactured by:

EMB MFG Inc.

4144 Boomer Line
St. Clements, Ontario
Canada N0B 2M0
Phone: 1-877-695-9283
Fax: 519-699-4146
www.embmfg.com