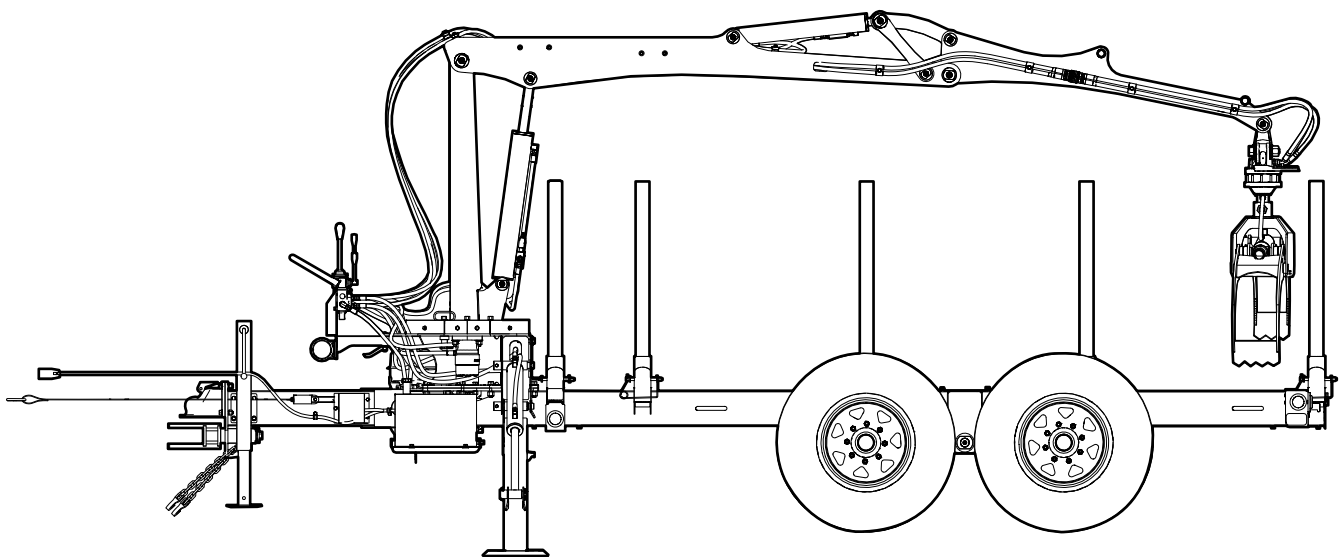


PARTS MANUAL

S/N 2E9US1115N5060191, 2E9US1115N5060193 to 2E9US1116PS060207,
and 1100000 and up

LXT115 Log Loader Trailer



Foreword

This Wallenstein parts manual is prepared to assist customers in ordering quality OEM replacement parts.

Regular maintenance combined with replacing old, worn or broken parts with the correct OEM parts is essential in prolonging the life of your Wallenstein product. Refer to this manual to identify replacement parts.

To order parts, contact your Wallenstein dealer or distributor. Have the product model and serial number handy.

If your dealer is no longer available, please go to WallensteinEquipment.com. At the bottom of the page, select Dealer Locator.

All information contained in this parts manual is current as per the revision date at the bottom of the page. Wallenstein reserves the right to change product specifications at any time without notice.

If your product specifications differ from those contained in this manual, contact Wallenstein for current information.

Reproduction of information in this parts manual is prohibited without prior written permission from Wallenstein Equipment Inc.

Wallenstein Equipment Inc. • © 2023

WARNING!

For safety, operation, and maintenance information, see the Operator's Manual.

Maintenance should be performed by trained personnel only.

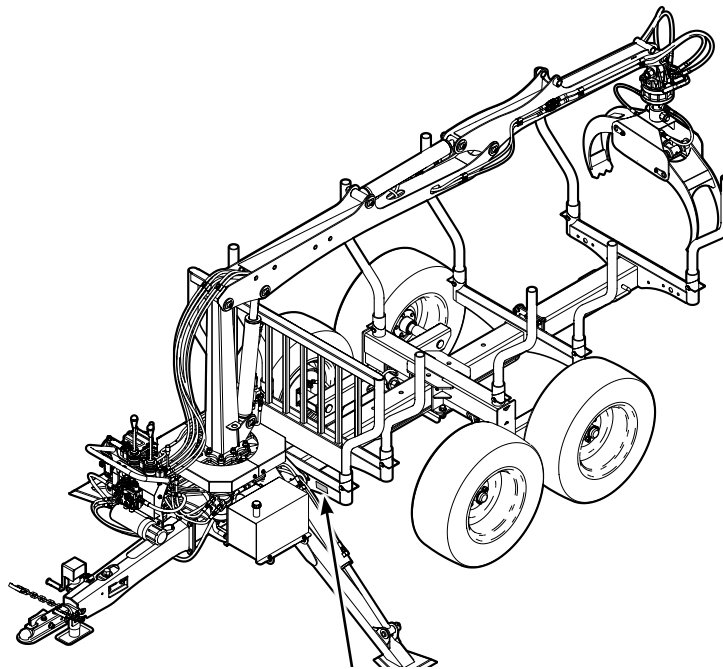
Serial Number Location

Always provide the model and serial number of your Wallenstein product when ordering parts or requesting service or other information. The serial number is on the product information plate as shown below.

Record your product information here for future reference.

Model _____

Serial Number _____



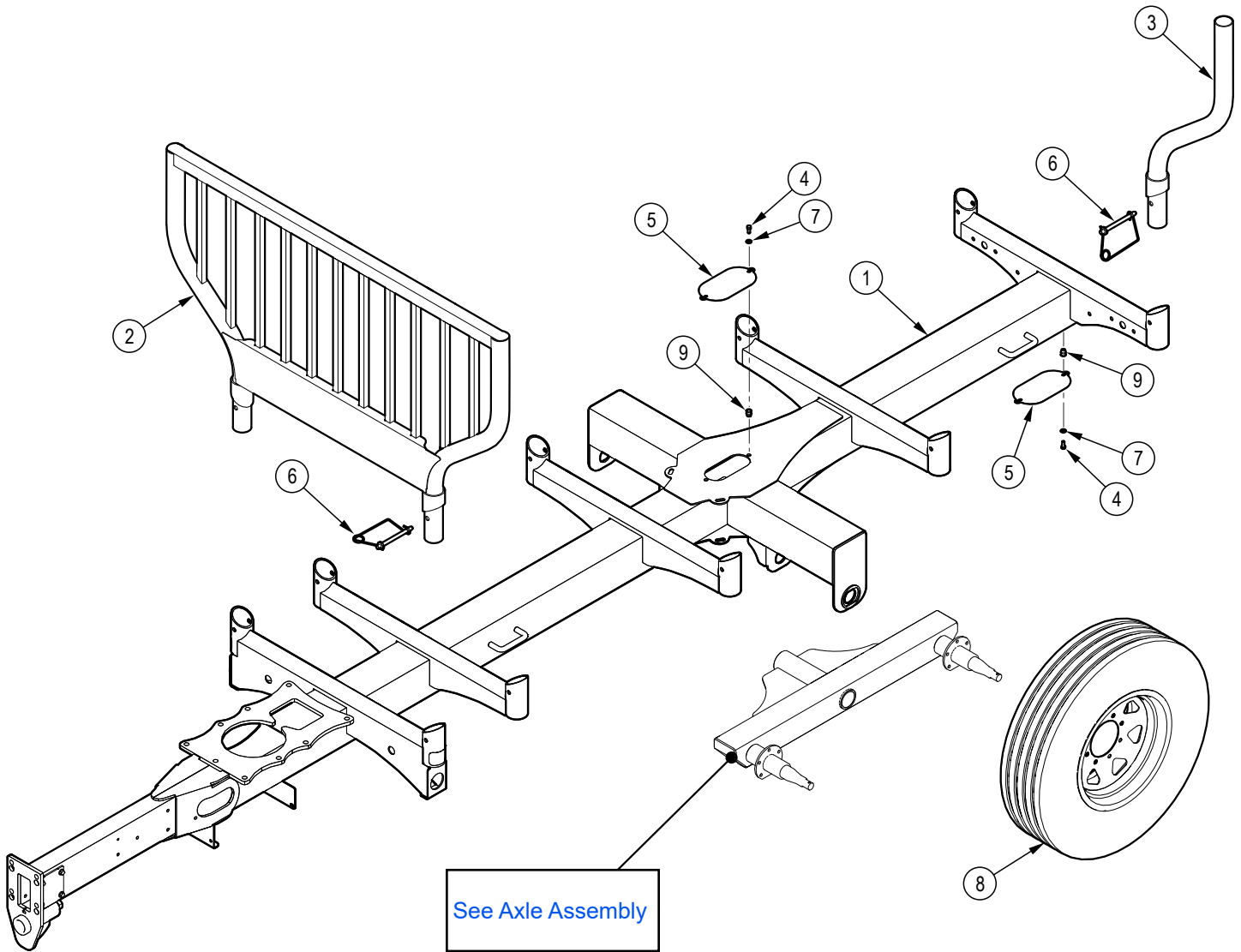
Model and Serial Number Location

WallensteinEquipment.com

Contents

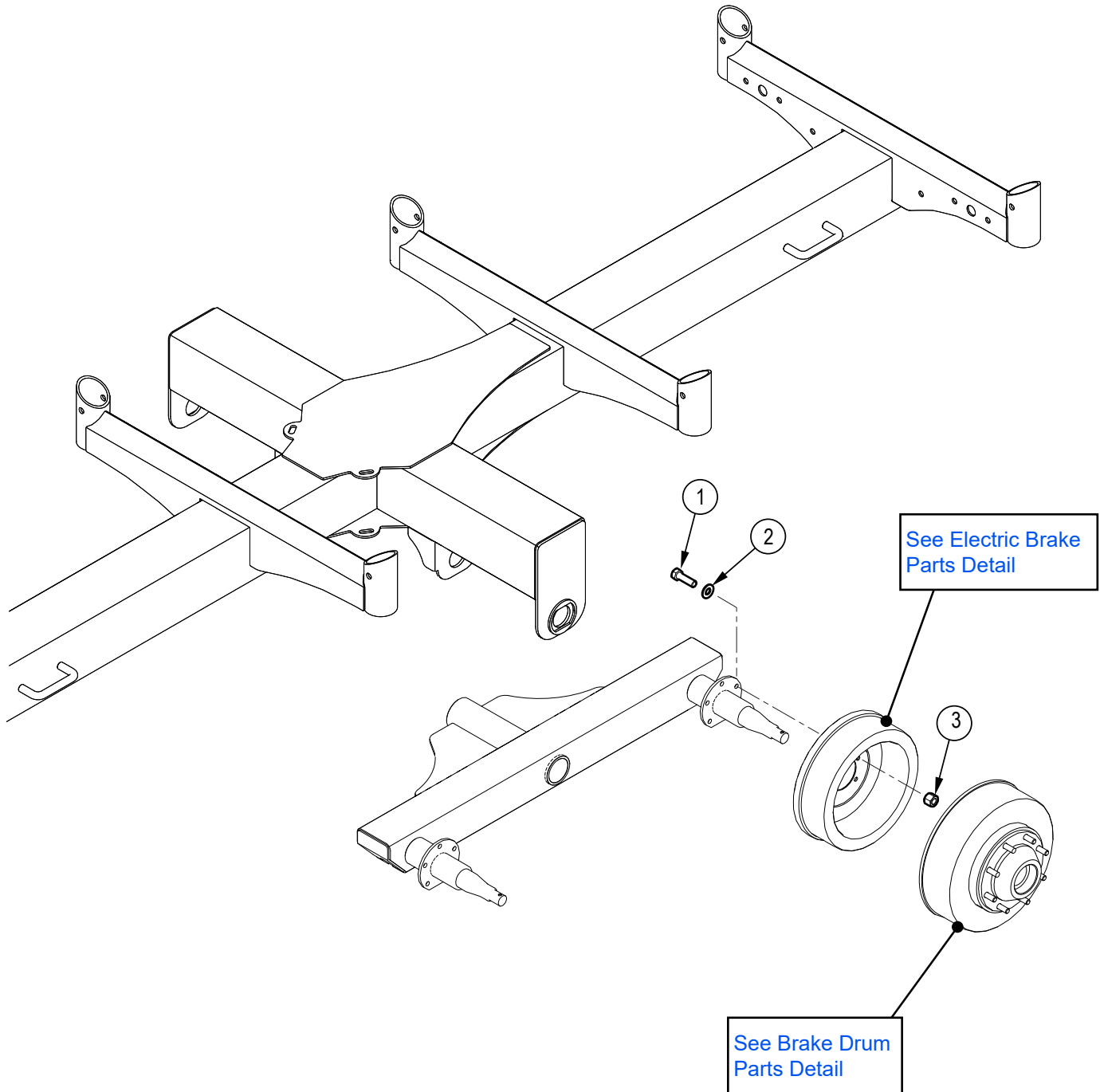
Main Frame Assembly	4
Hub Assembly	5
Axle Assembly	6
Tongue Assembly	8
Wiring Harness	9
Brake Drum Assembly.....	10
Electric Brake Assembly	11
Operator Control Panel	12
Stabilizer Assembly	13
Main Tower Rotate and Housing	14
Main Tower	15
Main Boom	16
Dipper Boom	17
Grapple Assembly	18
Outer Fork Assembly.....	19
Power Pack.....	20
L3200 Hydraulic Winch Accessory	21
Hydraulic Winch Accessory Control.....	22
Hydraulic Winch Accessory Assembly.....	23
Hydraulic Accessory Winch Drum Detail	24
Hydraulic Winch Accessory Top Cable Detail.....	25
Main Boom Cylinder	26
Dipper Boom Cylinder.....	26
Stabilizer Cylinder	27
Grapple Cylinder.....	27
Hydraulic Circuit.....	29
Decal Layout	32
Bolt Torque	35
Hydraulic Fitting Torque	36
Lug Nut Torque	36

Main Frame Assembly



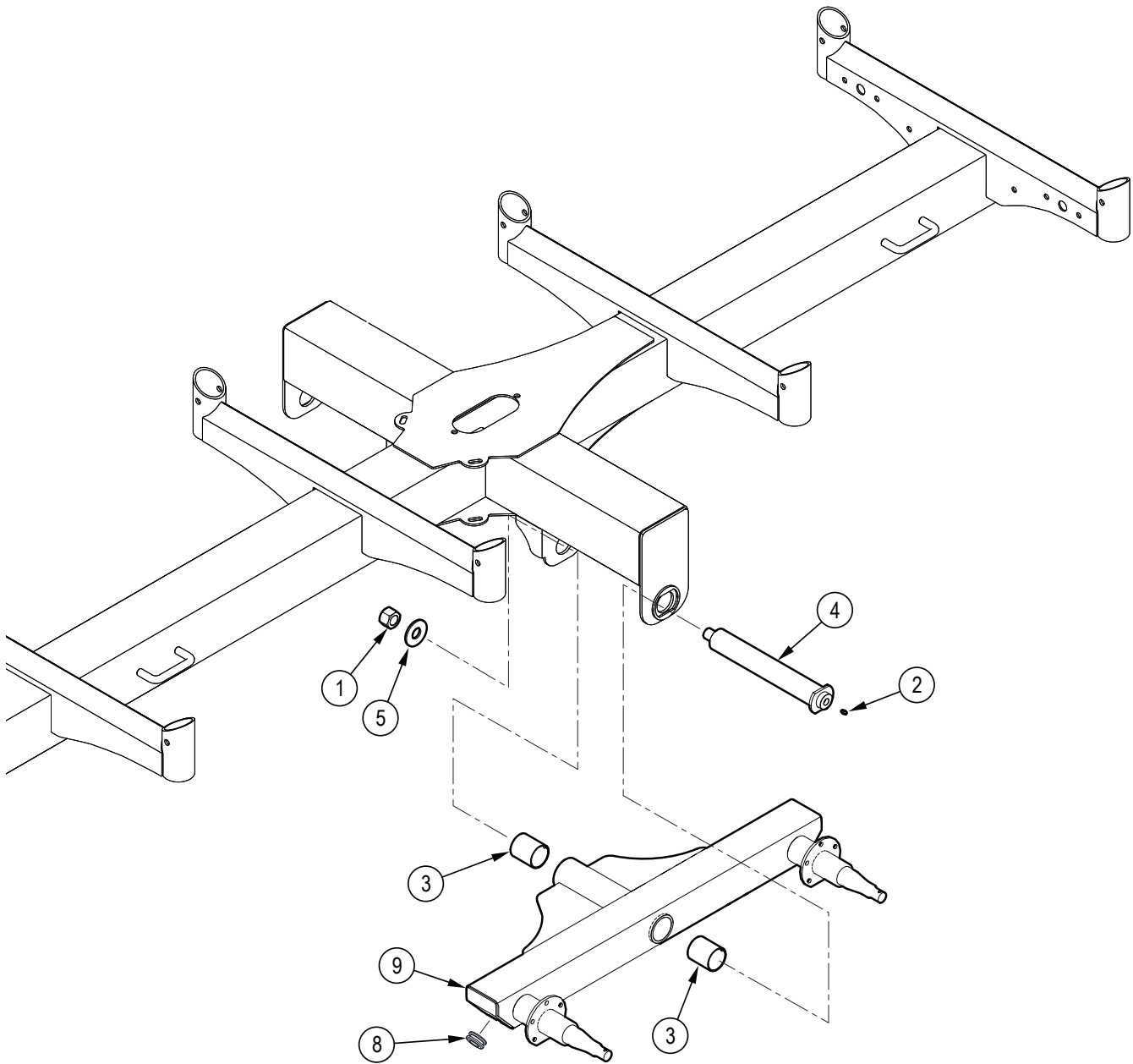
Item No.	Part No.	Description	Qty
1	6052W670	Main Frame	1
2	6052W663	Grill	1
3	6052W664	Bunk Post	8
4	Z71207	Hex Bolt, 5/16NC x 3/4"	6
5	6052L477	Plate, Access Cover	3
6	Z12441	Snap Lock Pin, 1/2" x 4-1/2"	10
7	Z73122G8	SAE Washer, 5/16" Grade 8	6
8	Z91327	ST235/80R16 LRE Radial Trail 8 on6-1/2"	4
9	Z72957	Rivet Nut, 5/16NC x 312	6

Hub Assembly



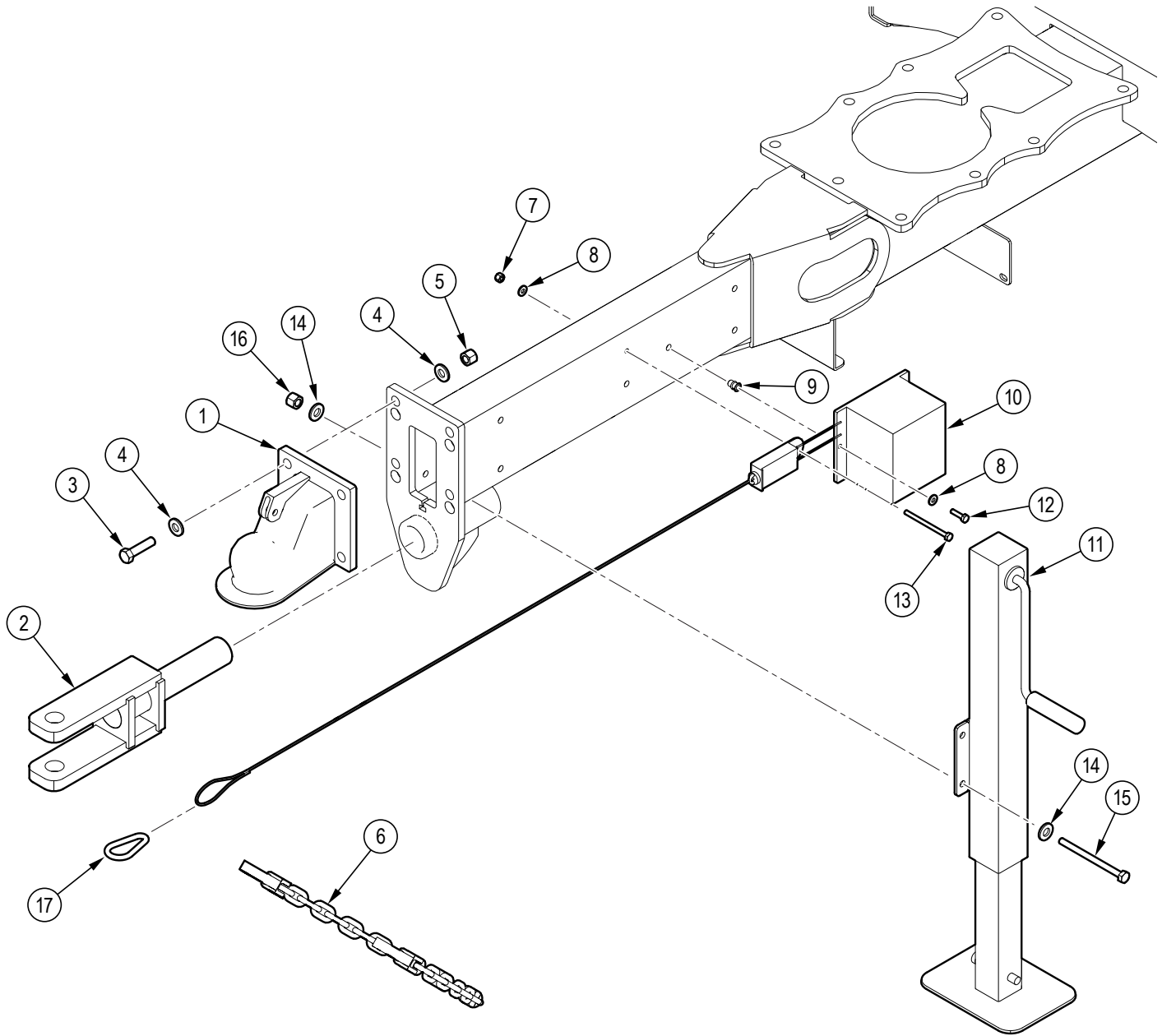
Item No.	Part No.	Description	Qty
1	Z71312	Hex Bolt, 3/8NC x 1-1/4"	5
2	Z73131G8	SAE Washer, 3/8" Grade 8	5
3	Z72231	Hex Lock Nut, 3/8NC	5

Axle Assembly



Item No.	Part No.	Description	Qty
1	Z72292G8	Hex Lock Nut, 1-14NF G8	2
2	Z29202	Grease Fitting, 1/4NF	2
3	Z27251	Connex Bushing, 2" ID x 2-1/2" Long x 1/8" Wall	4
4	6052W657	Pin, Axle Main	2
5	6052L247	Washer, Axle Pivot	2
8	Z62818	Rubber Grommet, 3/4" x 3/16"	10
9	6089W370	Highway Rocker Axle	2

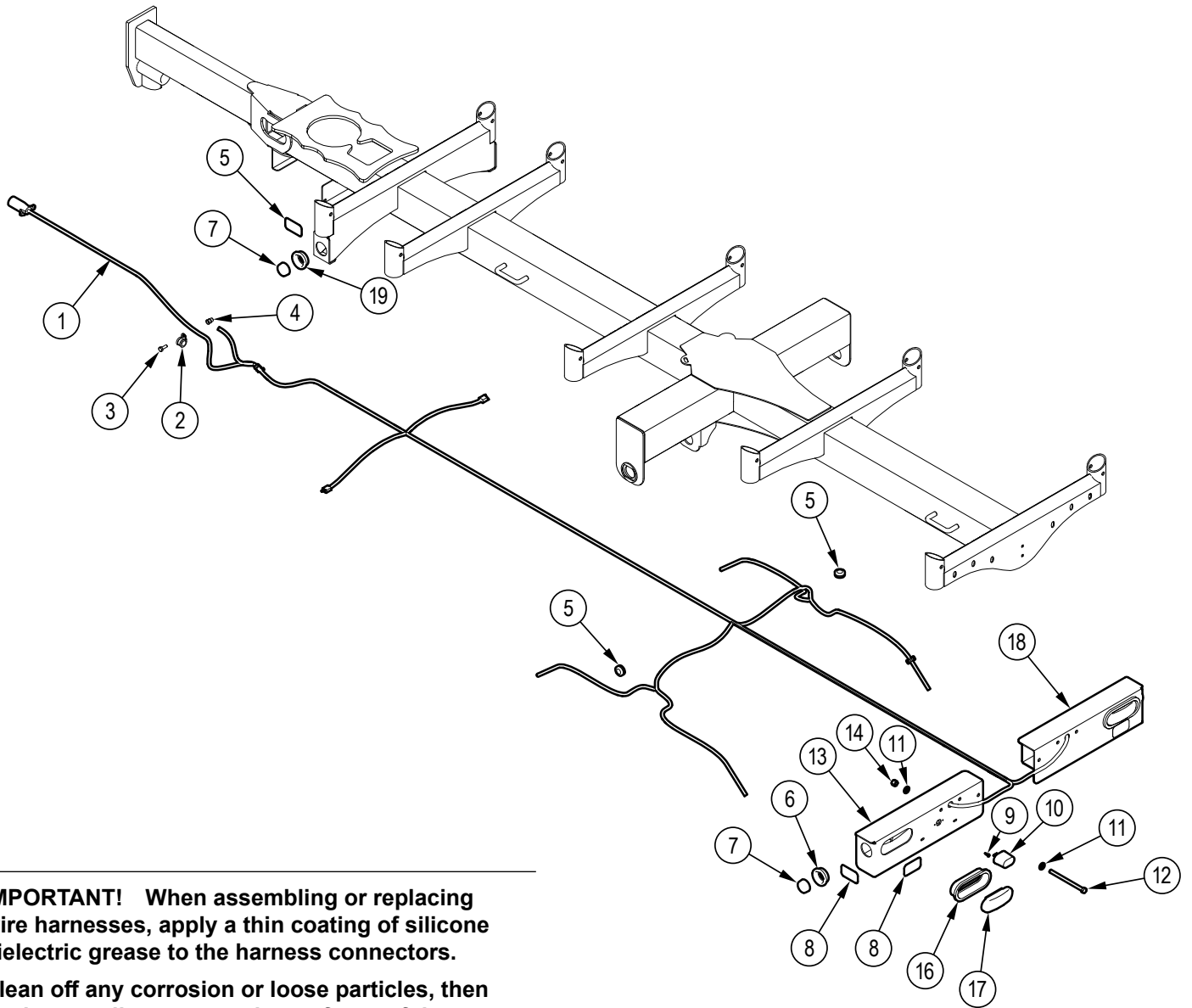
Tongue Assembly



Item No.	Part No.	Description	Qty
1	Z91618	Hitch Coupler, 2-5/16" Ball x 12000lbs	1
2	6052W668	Hitch	1
3	Z71520	Hex Bolt, 1/2NC x 2"	4
4	Z73151G8	SAE Washer, 1/2" Grade 8	8
5	Z72251	Hex Lock Nut, 1/2NC	4
6	Z92309	Safety Chain, 5/16" x 5ft x Two Hooks	1
7	Z72211	Hex Lock Nut, 1/4NC	1
8	Z73111G8	SAE Washer, 1/4" Grade 8	3

Item No.	Part No.	Description	Qty
9	Z72962	Rivet Nut, 1/4NC x 260	2
10	Z91726	Complete Breakaway System	1
11	2071W116	Drop Leg Jack Assembly	1
12	Z71110	Hex Bolt, 1/4NC x 1"	2
13	Z71135	Hex Bolt, 1/4NC x 3-1/2"	1
14	Z73131G8	SAE Washer, 3/8" Grade 8	8
15	Z71340	Hex Bolt, 3/8NC x 4"	4
16	Z72231	Hex Lock Nut, 3/8NC	4
17	Z92303-2	Safety Snap, 3-5/8" x 293lbs	1

Wiring Harness



IMPORTANT! When assembling or replacing wire harnesses, apply a thin coating of silicone dielectric grease to the harness connectors.

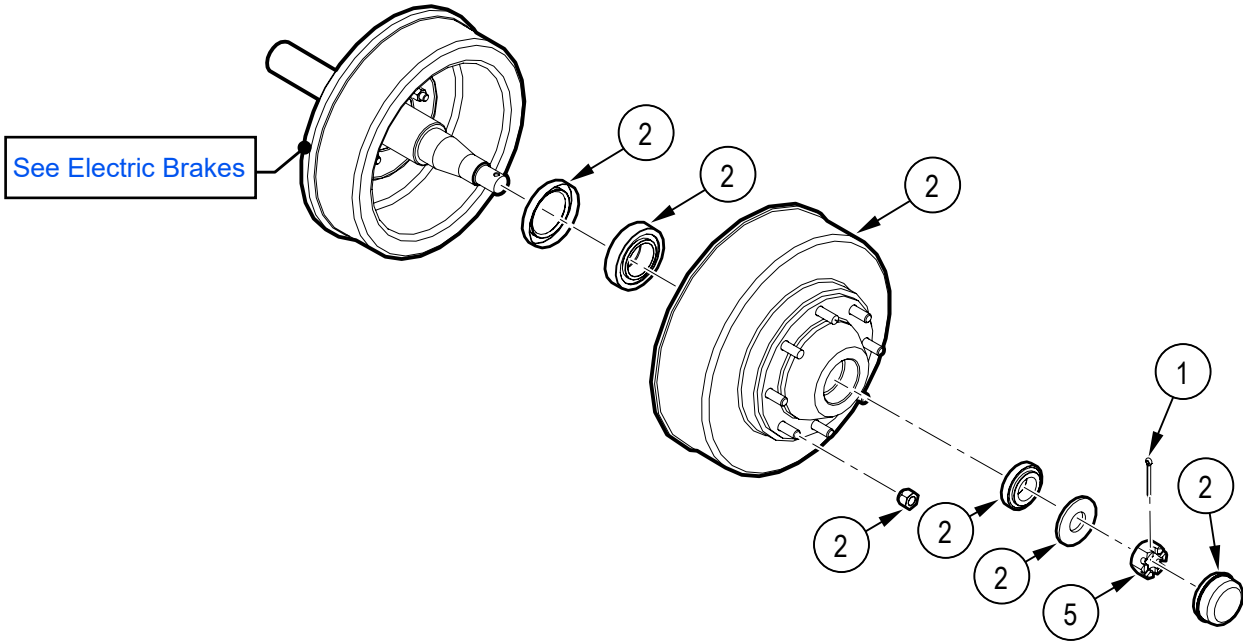
Clean off any corrosion or loose particles, then apply a small amount to the surfaces of the connectors where they meet. The grease helps to stop any possibility of future corrosion.

Reassemble the connection. Wipe off any grease that squeezes out.

Item No.	Part No.	Description	Qty
1	6089F373	Harness, LT60 Lights	1
2	Z62819	Rubberized Wire Clamp, 1/2"	2
3	Z71107	Hex Bolt, 1/4NC x 3/4"	2
4	Z72962	Rivet Nut, 1/4NC x 260	5
5	Z61213	Reflector Sticker, Rectangle Amber	2
6	Z61202	Grommet, Round x Open Back	4
7	Z61201	Marker Lamp, Round x Red	2
8	Z61212	Reflector Sticker, Rectangle x Red	4
9	Z76712	Self-tapping Screw, #10 x 3/4"	2

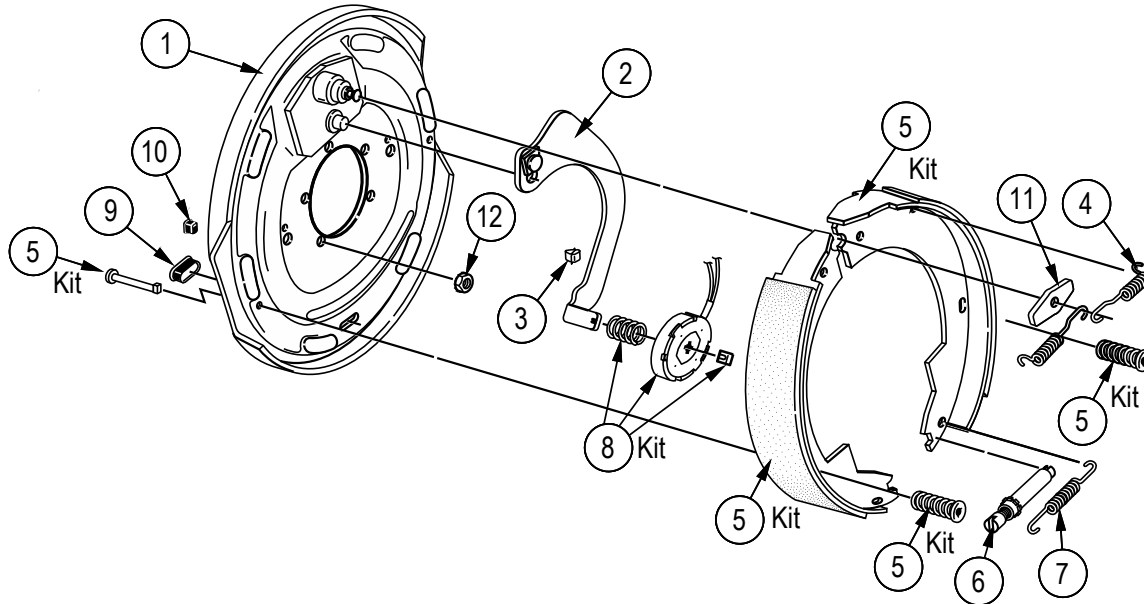
Item No.	Part No.	Description	Qty
10	Z61301	License Lamp, White	1
11	Z73151G8	SAE Washer, 1/2" Grade 8	12
12	Z71568	Hex Bolt, 1/2NC x 7"	6
13	6089W372	Light Bracket, LH	1
14	Z72251	Hex Lock Nut, 1/2NC	6
16	Z61103	Grommet, Oval x Open Back	2
17	Z61102	STT Lamp, Oval	2
18	6089W372H	Light Bracket, RH	1
19	Z61205	Marker Lamp, Round x Amber	2

Brake Drum Assembly



Item No.	Part No.	Description	Qty
1	Z12321	Cotter Pin, 3/16" x 1-3/4"	1
2	Z91711	Brake Drum, 12" x 3500lbs 8on6-1/2" Complete Assembly	1
5	Z72693	Castle Nut, 1NF x 7/8" Thick	1

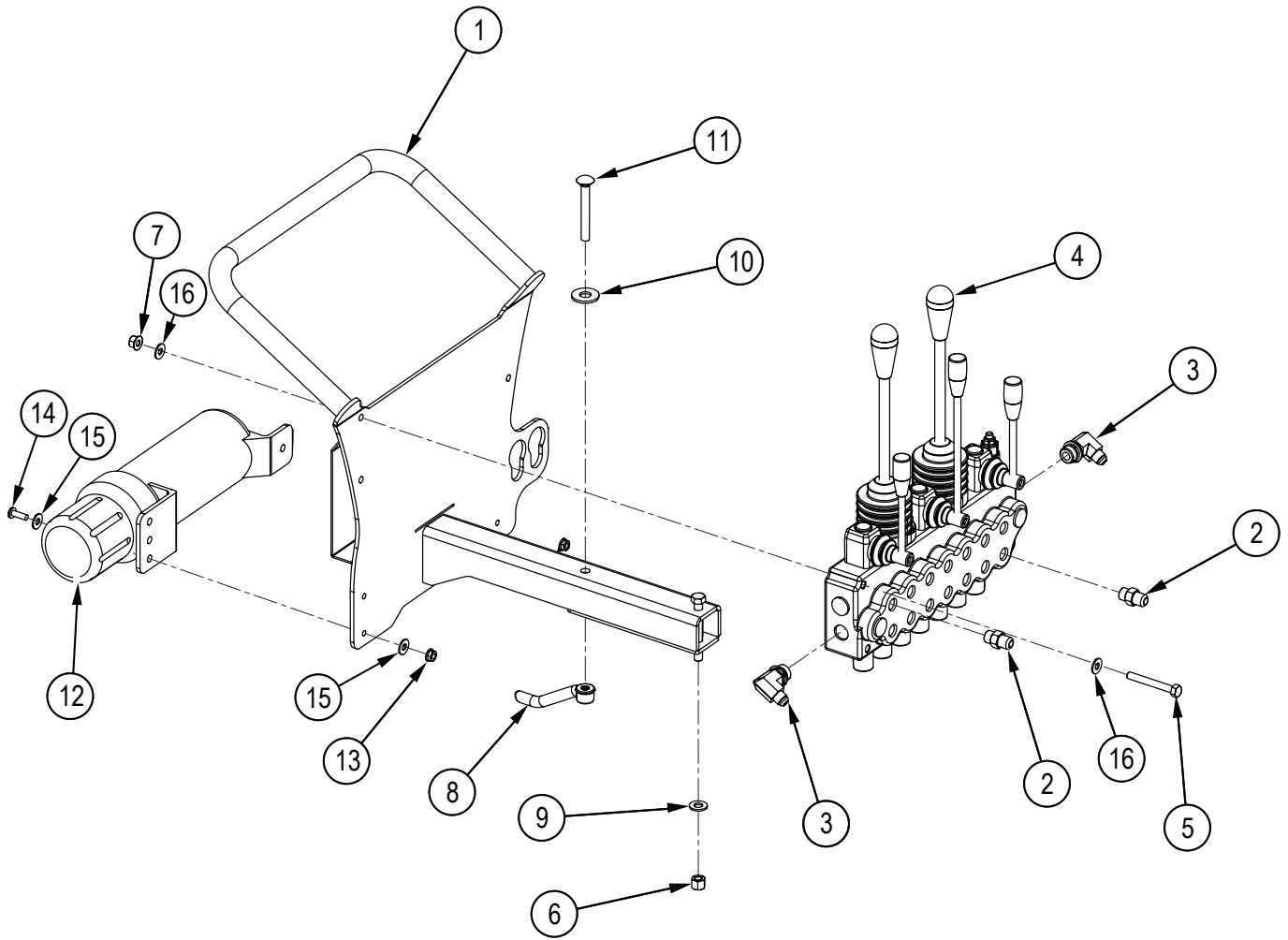
Electric Brake Assembly



Please note brake parts are not available from Wallenstein Equipment Inc. Brake part numbers below reference Dexter Axle brake assemblies and are available from your local auto parts dealer. All brake repair and maintenance should be done by a qualified mechanic.

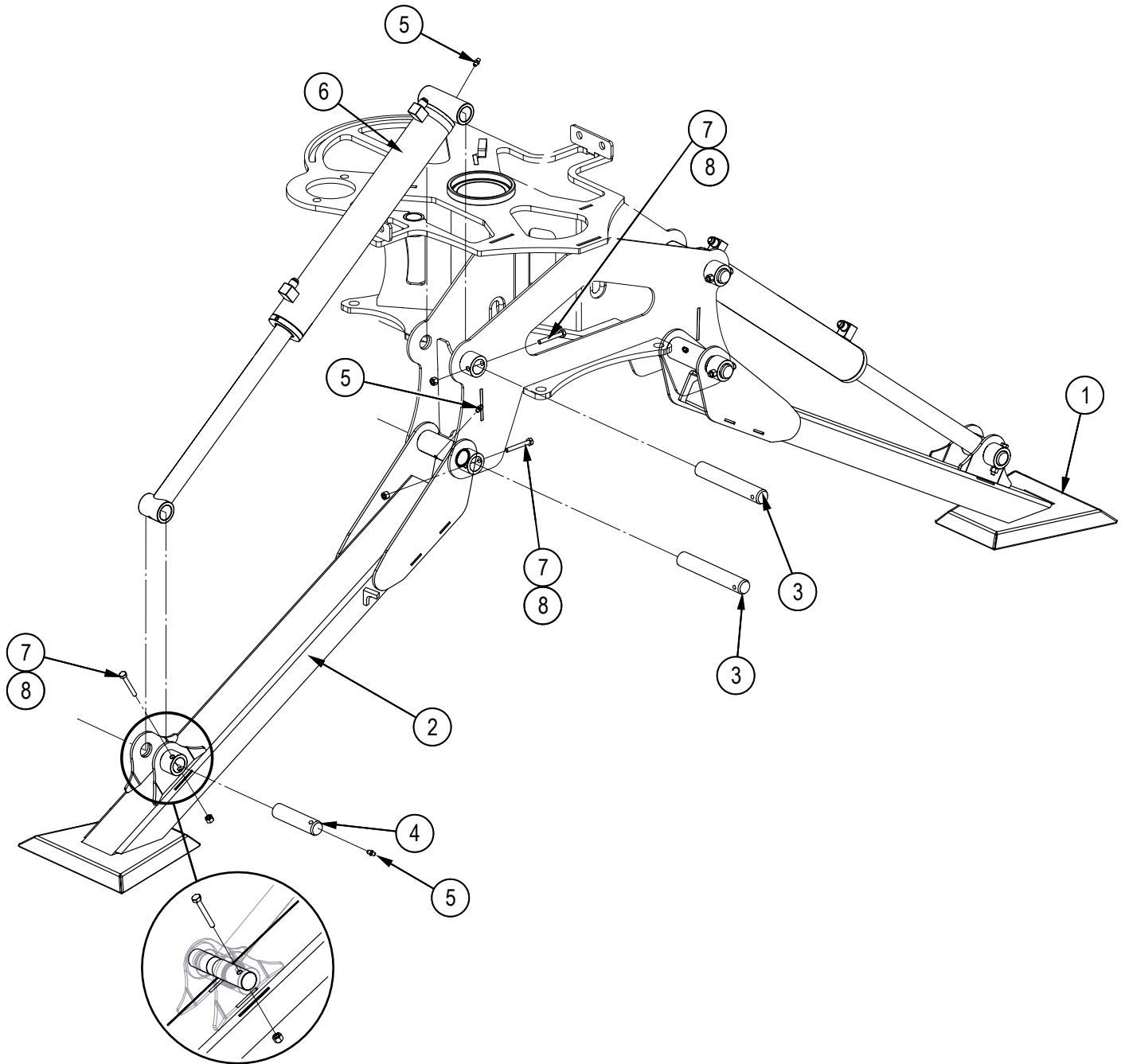
Item	Part No.	Description	Qty	Item	Part No.	Description	Qty
	Z91702	LH Complete Brake Assembly	1	10	K71-105-00	Magnet Kit Contains:	1
	Z91712	RH Complete Brake Assembly (shown)	1			Magnet (white wire)	1
1	036-089-10	Backing Plate Assembly	1			Magnet Clip	1
2	047-107-05	LH Actuating Lever Arm Assembly	1			Magnet Spring	1
2	047-108-05	RH Actuating Lever Arm Assembly	1	11	K71-048-00	Shoe & Lining Kit Contains:	1
3	027-005-00	Wire Clip	2			Primary Shoe & Lining	1
4	046-009-00	Retractor Spring	2			Secondary Shoe & Lining	1
5	043-004-00	Adjuster Assembly	1			Shoe Hold Down Pin #2	2
6	046-018-00	Adjusting Screw Spring	1			Shoe Hold Down Spring & Cup	2
7	046-007-00	Adjuster Slot Plug	2				
8	046-016-00	Wire Grommet	1				
9	005-067-00	Anchor Post Washer	1				

Operator Control Panel



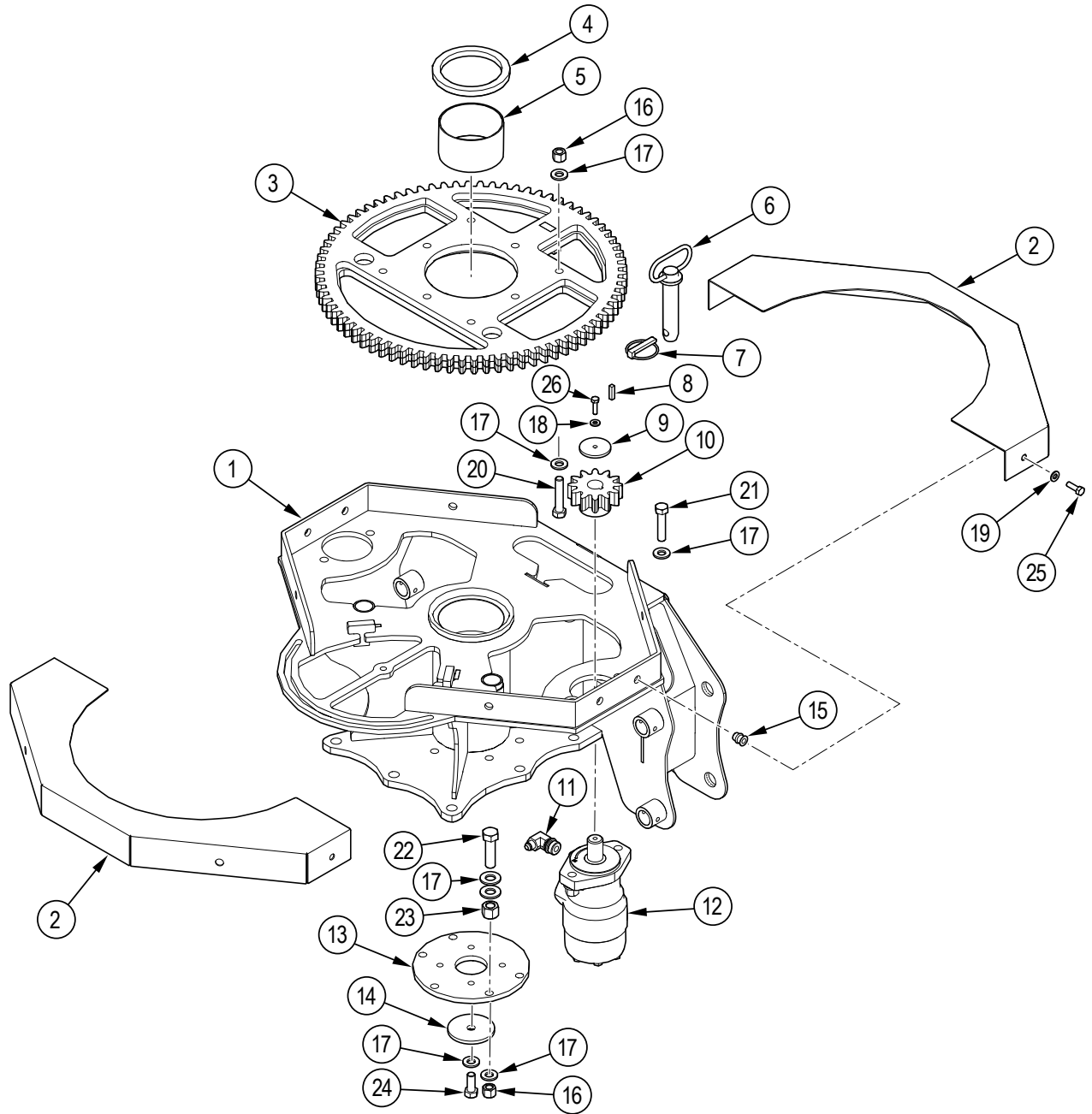
Item No.	Part No.	Description	Qty
1	6030W142	Console Arm	1
2	Z51641	Straight, MJIC x MORB 0606	12
3	Z51655	Elbow 90, MJIC x MORB 0608	2
4	Z56206	Seven Spool Valve, VC x 12GPM	1
5	Z71227	Hex Bolt, 5/16NC x 2-3/4"	3
6	Z72231	Hex Lock Nut, 3/8NC	1
7	Z72221	Hex Lock Nut, 5/16NC	3
8	Z72981	Handle Nut, 3/8NC	1
9	Z73131G8	SAE Washer, 3/8" Grade 8	1
10	Z73252	PTFE Washer, 1/2" x .101"	1
11	Z76238	Carriage Bolt, 3/8NC x 3"	1
12	Z96503	Manual Tube, 3-1/2" Short	1
13	Z72211	Hex Lock Nut, 1/4NC	3
14	Z78318	Machine Screw, 1/4NC x 7/8"	3
15	Z73111G8	SAE Washer, 1/4" Grade 8	6
16	Z73122G8	SAE Washer, 5/16" Grade 8	6

Stabilizer Assembly



Item No.	Part No.	Description	Qty
1	6032W206	Stabilizer Arm - RH	1
2	6032W206H	Stabilizer Arm - LH	1
3	6032M920	Pin, Stabilizer Long	4
4	6032M919	Pin, Stabilizer Short	2
5	Z29202	Grease Fitting, 1/4NF	6
6	6032C754	Cylinder, 2-1/4" x 1-1/4" x 12-1/2"	2
7	Z71120	Hex Bolt, 1/4NC x 2"	6
8	Z72211	Hex Lock Nut, 1/4NC	6

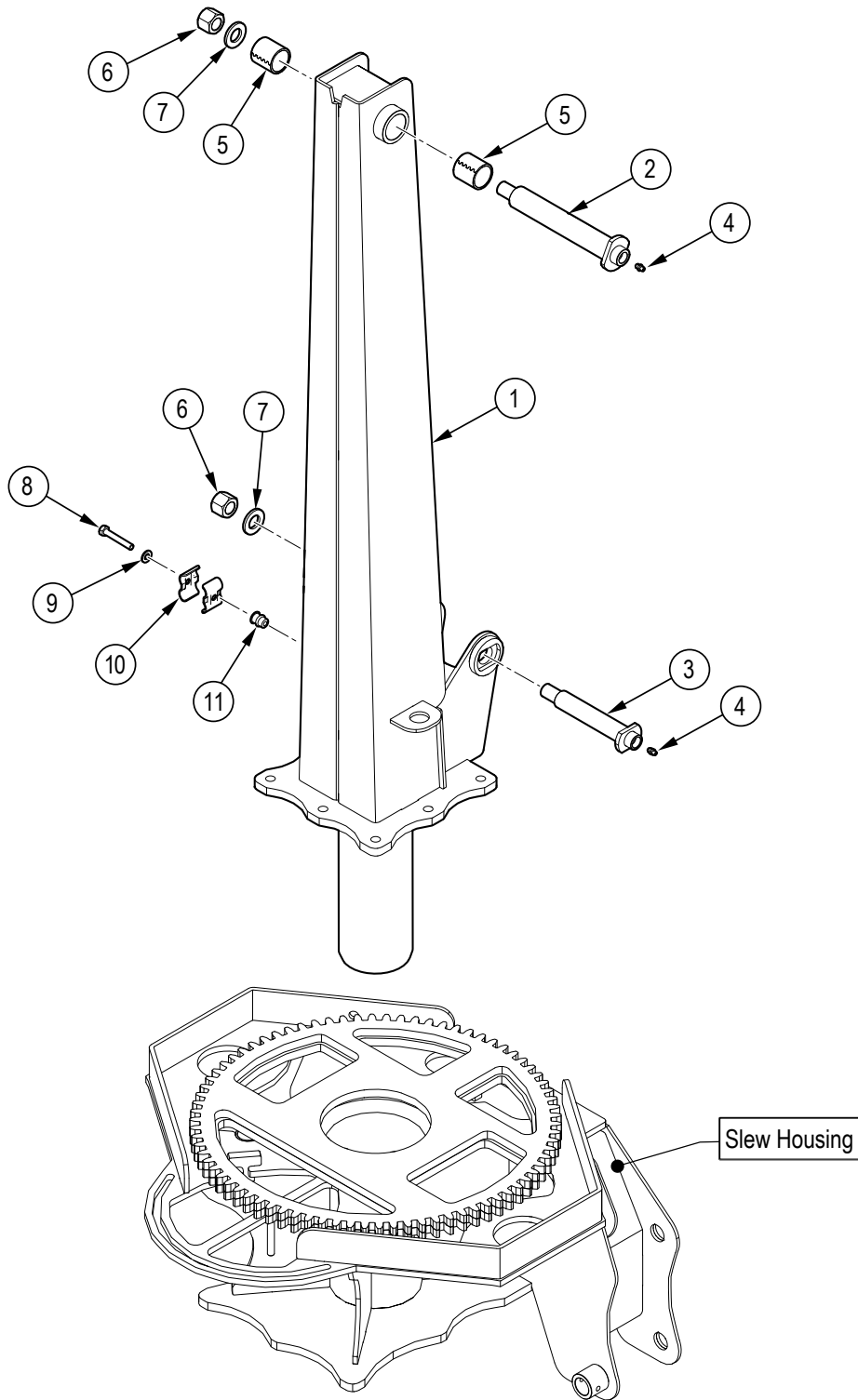
Main Tower Rotate and Housing



Item No.	Part No.	Description	Qty
1	6032W129	Slew Housing	1
2	6032L583	Shield, Slew Front	2
3	6032W131	78th Slew Gear	1
4	Z28206	Single Lip Seal, 4"	1
5	Z27102	Fiberglide Bearing, 4"	2
6	Z11264	Hitch Pin, 1" x 3-3/4" MOD	1
7	Z12140	Lynch Pin, 7/16"	1
8	Z46533	Key, 1/4" x 1/4" x 1"	2
9	6032L592	Washer, Sprocket Capture	2
10	6031M653	Gear, Motor -Small	2
11	Z51656	Elbow 90, MJIC x MORB 0610	4
12	Z54104	Hydraulic Motor, 315CCR	2
13	6032L595	Washer, Tower Rest	1
14	6032L582	Washer, Tower Capture	1

Item No.	Part No.	Description	Qty
15	Z72957	Rivet Nut, 5/16NC x 312	8
16	Z72251	Hex Lock Nut, 1/2NC	17
17	Z73151G8	SAE Washer, 1/2" Grade 8	35
18	Z73111G8	SAE Washer, 1/4" Grade 8	2
19	Z73122G8	SAE Washer, 5/16" Grade 8	8
20	Z71525	Hex Bolt, 1/2NC x 2-1/2"	8
21	Z71522	Hex Bolt, 1/2NC x 2-1/4"	4
22	Z71520	Hex Bolt, 1/2NC x 2"	5
23	Z72261	Hex Lock Nut, 5/8NC	5
24	Z71512	Hex Bolt, 1/2NC x 1-1/4"	1
25	Z71210	Hex Bolt, 5/16NC x 1"	8
26	Z71110	Hex Bolt, 1/4NC x 1"	2

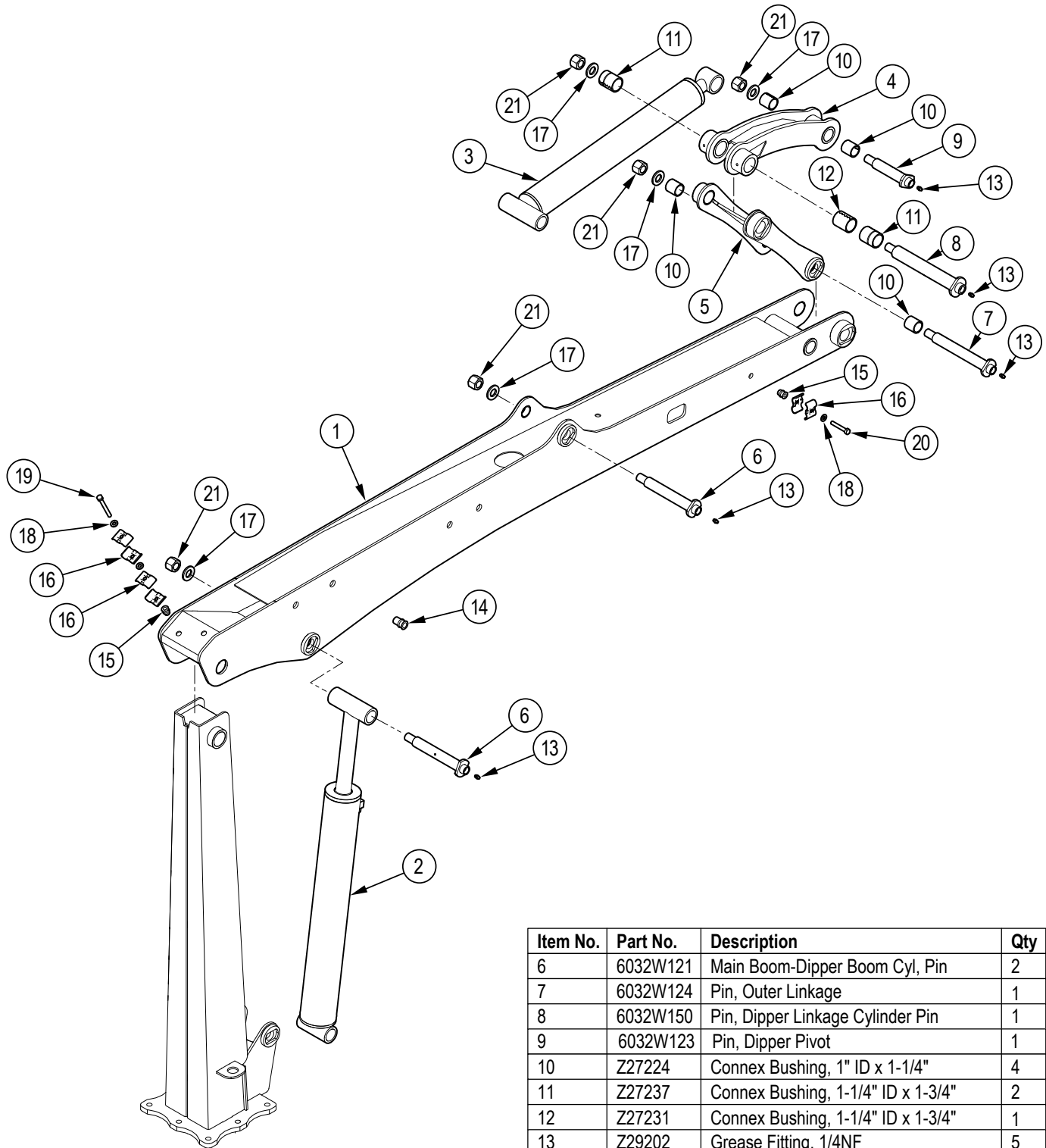
Main Tower



Item No.	Part No.	Description	Qty
1	6032W102	Main Tower	1
2	6032W120	Pin, Main Boom Pivot	1
3	6032W122	Pin, Main Boom Cylinder	1
4	Z29202	Grease Fitting, 1/4NF	2
5	Z27235	Connex Bushing, 1-1/4" ID	2

Item No.	Part No.	Description	Qty
6	Z72272	Hex Lock Nut, 3/4NF	2
7	Z73171G8	SAE Washer, 3/4" Grade 8	2
8	Z71220	Hex Bolt, 5/16NC x 2"	1
9	Z73122G8	SAE Washer, 5/16" Grade 8	1
10	2250L286	Hose Clamp, 2 x 3/8"	2
11	Z72957	Rivet Nut, 5/16NC x 3/2	1

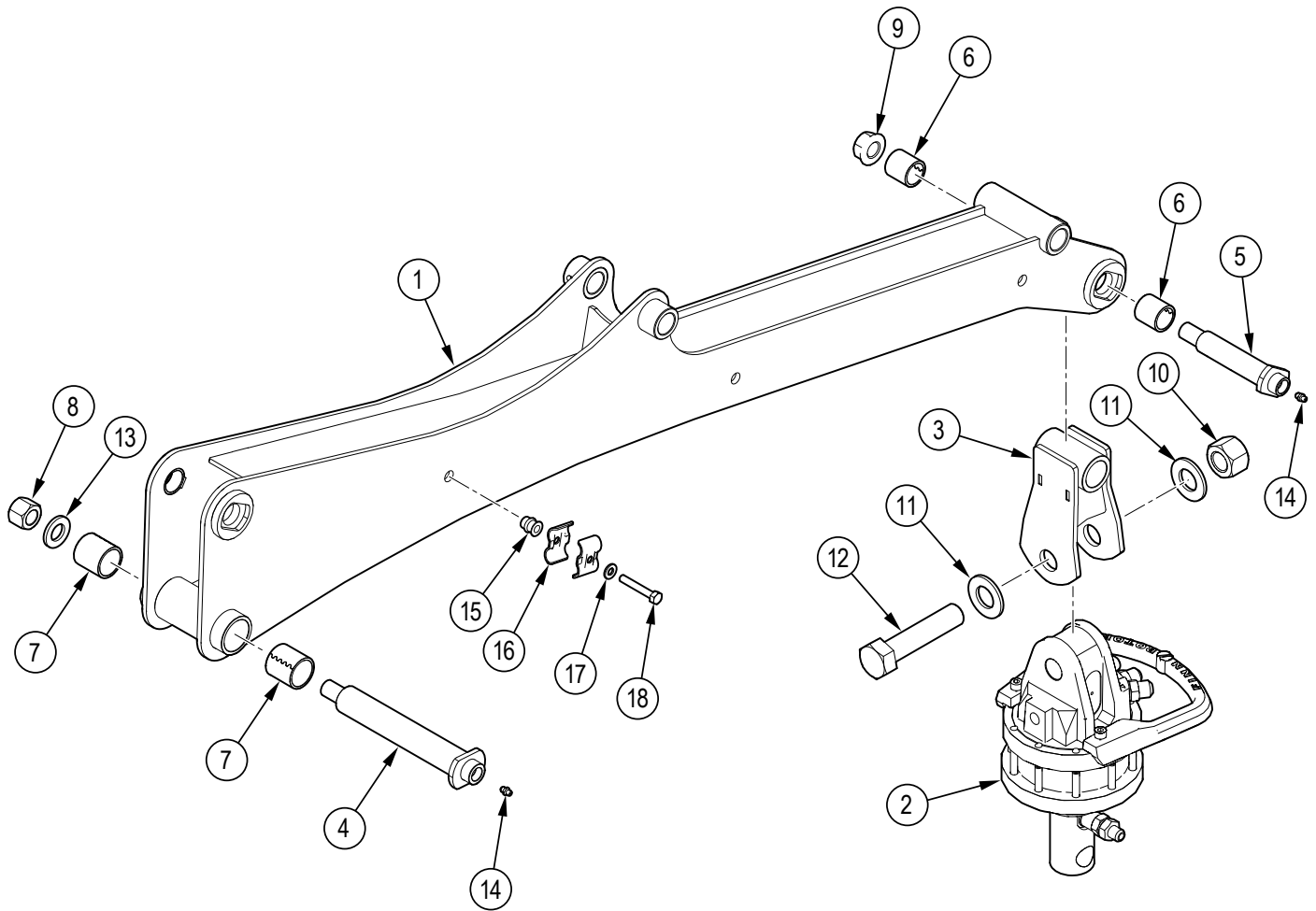
Main Boom



Item No.	Part No.	Description	Qty
1	6032W103	Main Boom	1
2	6032C752	Cylinder, 3" x 1-1/2" x 20-3/4"	1
3	6032C750	Cylinder, 2-1/2" x 1-1/4" x 17-3/4"	1
4	6032W106	Linkage Inner, Dipper Boom	1
5	6032W105	Linkage Outer, Dipper Boom	1

Item No.	Part No.	Description	Qty
6	6032W121	Main Boom-Dipper Boom Cyl, Pin	2
7	6032W124	Pin, Outer Linkage	1
8	6032W150	Pin, Dipper Linkage Cylinder Pin	1
9	6032W123	Pin, Dipper Pivot	1
10	Z27224	Connex Bushing, 1" ID x 1-1/4"	4
11	Z27237	Connex Bushing, 1-1/4" ID x 1-3/4"	2
12	Z27231	Connex Bushing, 1-1/4" ID x 1-3/4"	1
13	Z29202	Grease Fitting, 1/4NF	5
14	Z72961	Rivet Nut, 1/2NC x 350	8
15	Z72957	Rivet Nut, 5/16NC x 312	5
16	2250L286	Hose Clamp, 2 x 3/8"	14
17	Z73171G8	SAE Washer, 3/4" Grade 8	8
18	Z73122G8	SAE Washer, 5/16" Grade 8	6
19	Z71230	Hex Bolt, 5/16NC x 3"	1
20	Z71220	Hex Bolt, 5/16NC x 2"	5
21	Z72272	Hex Lock Nut, 3/4NF	8

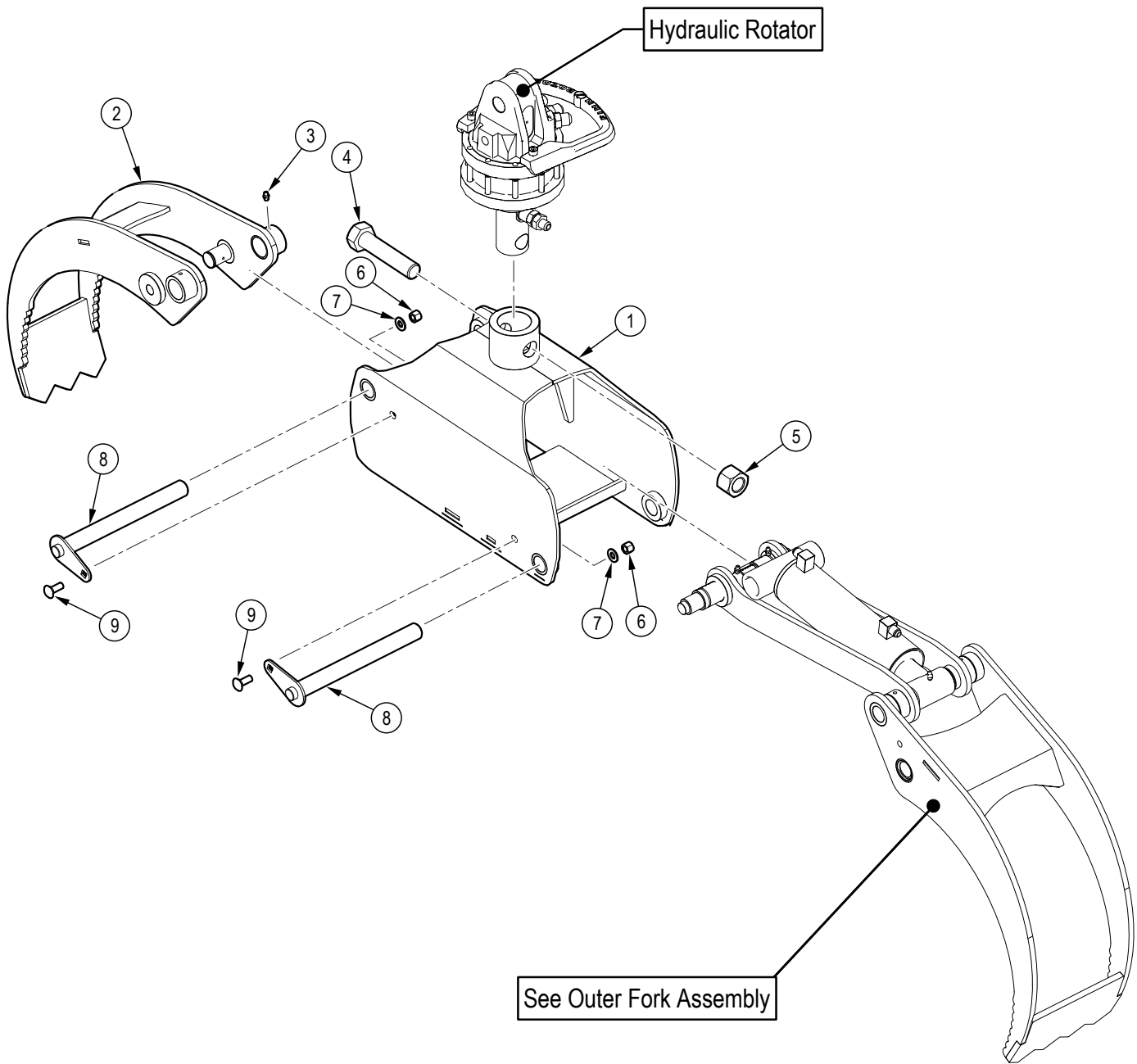
Dipper Boom



Item No.	Part No.	Description	Qty
1	6032W104	Dipper Boom	1
2	Z54107	Hydraulic Rotator, CR300W	1
3	6032W125	Clevis, Rotator	1
4	6032W120	Pin, Main Boom Pivot	1
5	6032W123	Pin, Dipper Pivot	1
6	Z27224	Connex Bushing, 1" ID x 1-1/4"	2
7	Z27235	Connex Bushing, 1-1/4" ID x 1-1/2"	2
8	Z72272	Hex Lock Nut, 3/4NF	1
9	Z72571	Serrated Flange Locknut, 3/4NF	1

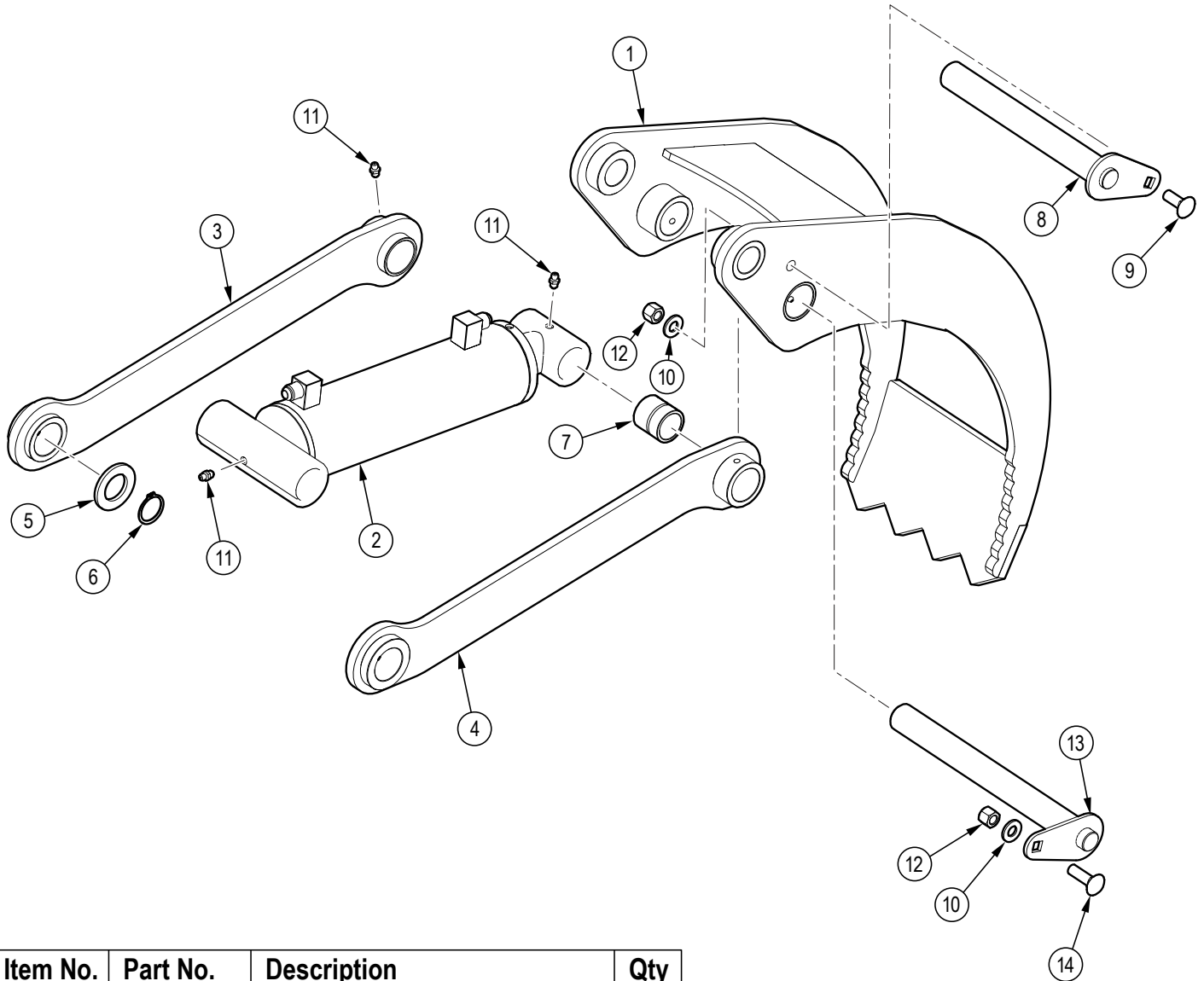
Item No.	Part No.	Description	Qty
10	Z72291	Hex Lock Nut, 1NC	1
11	Z73191G8	SAE Washer, 1" Grade 8	2
12	Z71911	Hex Bolt, 1NC x 4-1/2"	1
13	Z73171G8	SAE Washer, 3/4" Grade 8	1
14	Z29202	Grease Fitting, 1/4NF	2
15	Z72957	Rivet Nut, 5/16NC x 312	6
16	2250L286	Hose Clamp, 2 x 3/8"	12
17	Z73122G8	SAE Washer, 5/16" Grade 8	6
18	Z71220	Hex Bolt, 5/16NC x 2"	6

Grapple Assembly



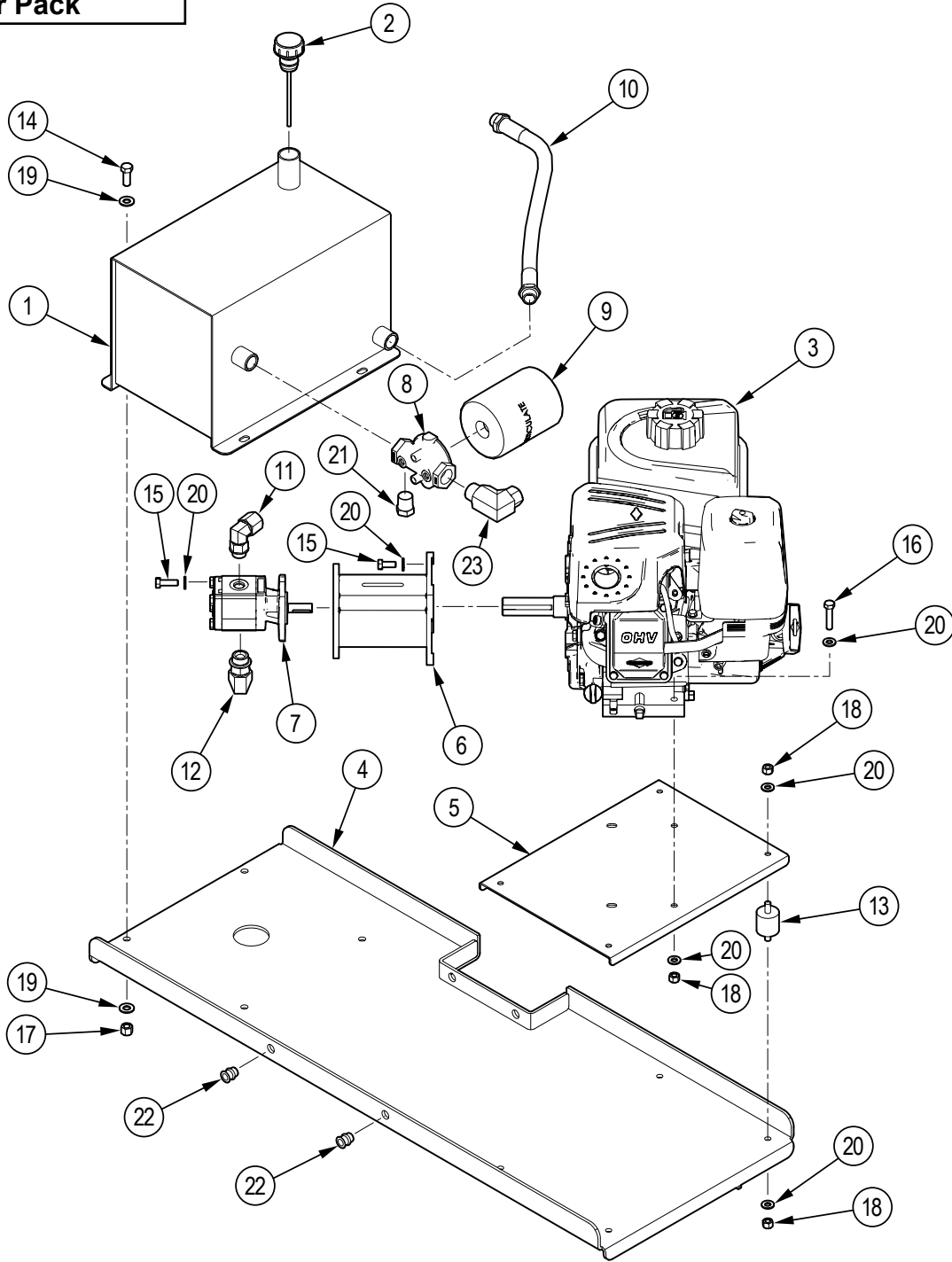
Item No.	Part No.	Description	Qty
1	6012W215	Main Grapple Frame	1
2	6012W201	Narrow (Inside) Fork	1
3	Z29202	Grease Fitting, 1/4NF	10
4	Z71911	Hex Bolt, 1NC x 4-1/2"	1
5	Z72291	Hex Lock Nut, 1NC	1
6	Z72231	Hex Lock Nut, 3/8NC	3
7	Z73131G8	SAE Washer, 3/8" Grade 8	3
8	6012W203	1" Flange Pin	2
9	Z76231	Carriage Bolt, 3/8NC x 1"	2

Outer Fork Assembly



Item No.	Part No.	Description	Qty
1	6012W202	Wide (Outside) Fork	1
2	6012C205	Cylinder, 2-1/2 x 6	1
3	6012W207	Linkage Bar	1
4	6012W204	Linkage Bar	1
5	6012L118	Washer, Linkage	2
6	Z46204	External Retaining Ring, 1"	2
7	Z27223	Connex Bushing, 1" ID x 1"	2
8	6012W205	1" Hex Head Pin	1
9	Z76232	Carriage Bolt, 3/8NC x 1-1/4"	1
10	Z73131G8	SAE Washer, 3/8" Grade 8	2
11	Z29202	Grease Fitting, 1/4NF	5
12	Z72231	Hex Lock Nut, 3/8NC	2
13	6012W203	1" Flange Pin	1
14	Z76231	Carriage Bolt, 3/8NC x 1"	1

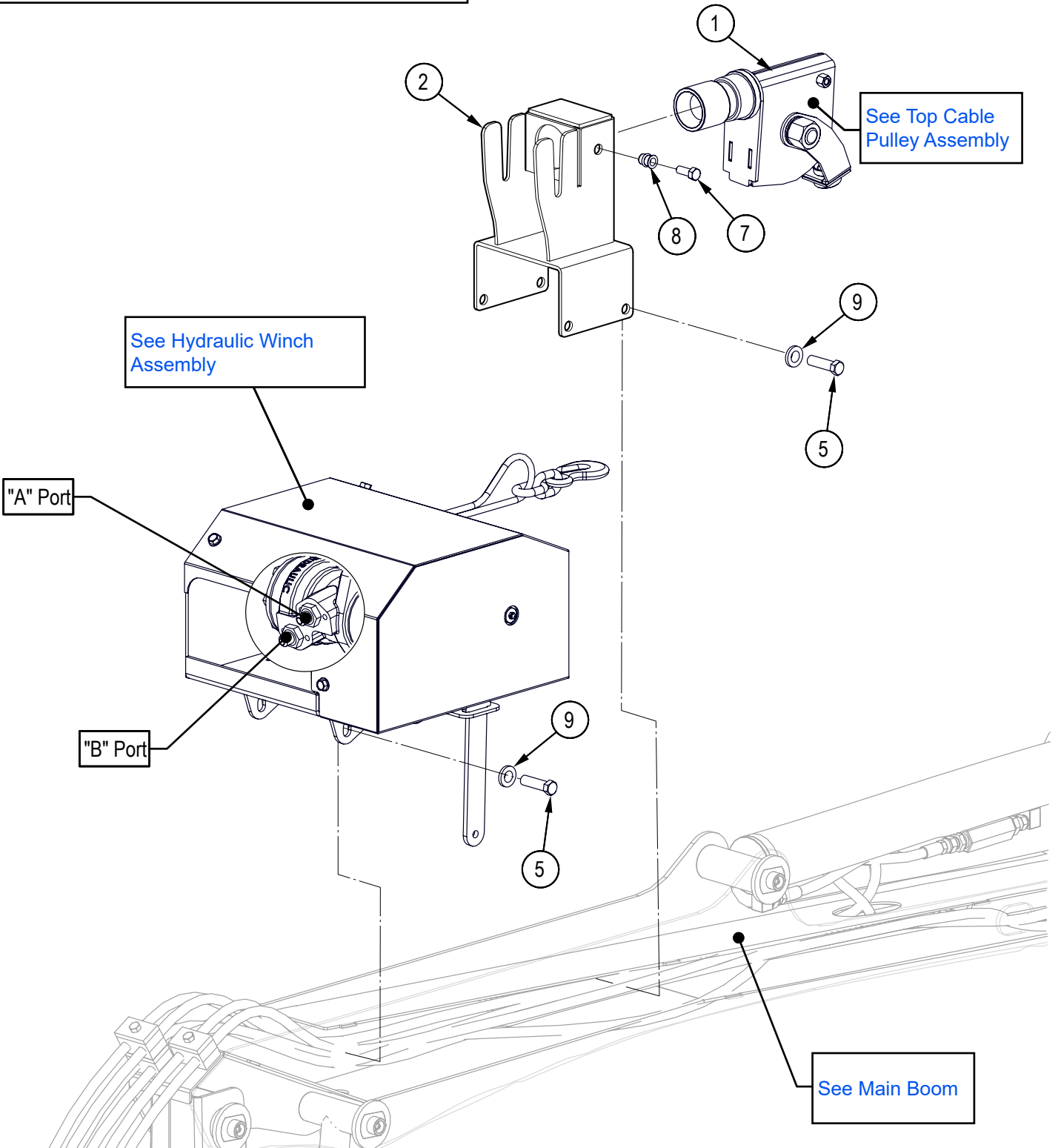
Power Pack



Item No.	Part No.	Description	Qty
1	6081W301	Tank	1
2	Z55402	Vented Plug Dipstick x 5"	1
3	Z47765	Vanguard 10 hp (305 cc)	1
4	6081W200	Base, Hyd Power Pack	1
5	6081L209	Plate, Engine Mount	1
6	6081W202	Pump Mount, VG300	1
7	Z53105	Gear Pump, Series 10 x 0.33CIR	1
8	Z55302	Filter Cap, MP12 x FP12	1
9	Z55301	Particulate Filter, FP12	1
10	6081F001	1/2" Hose, MP08 x MP08 x 25"	1
11	Z51385	Elbow 90, MORB x FPX 0608	1
12	Z51383	Elbow 90, MORB x FPX 0808	1

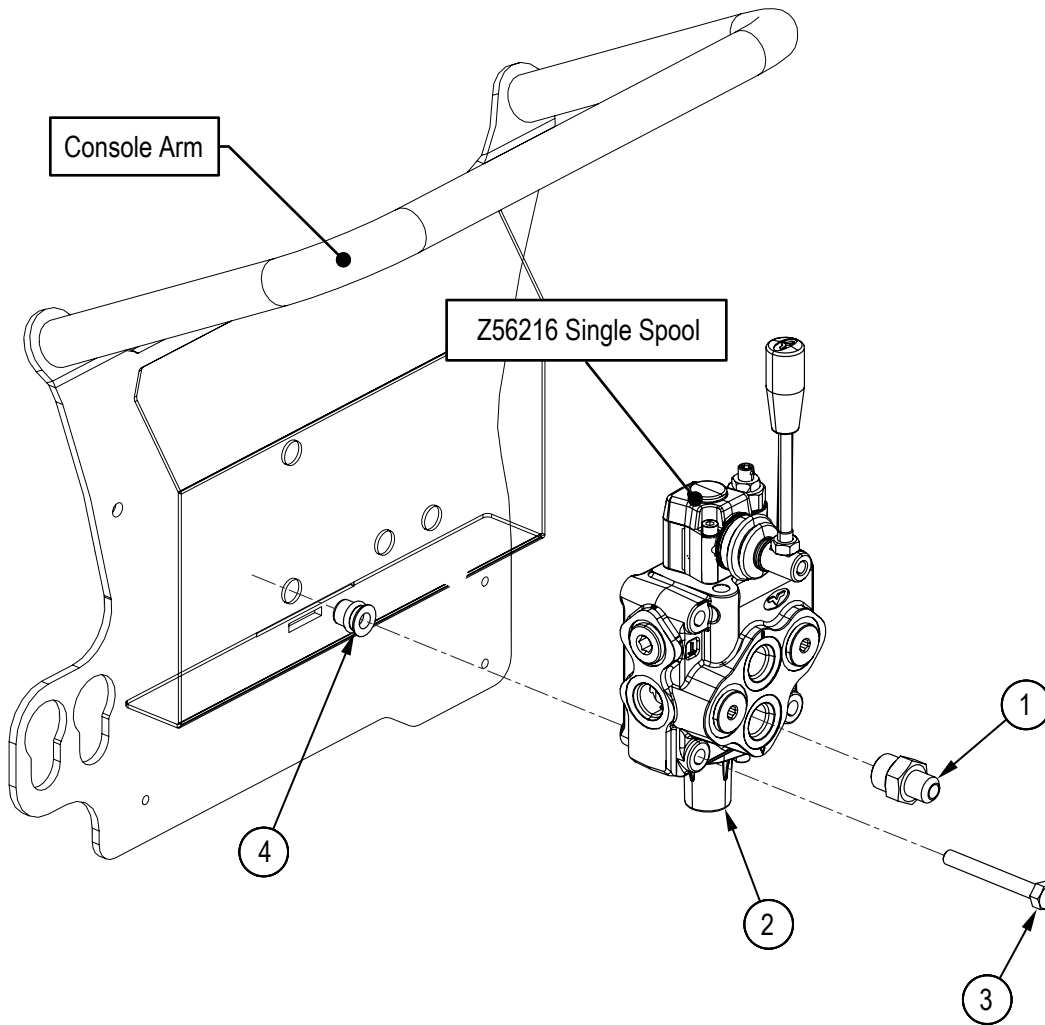
Item No.	Part No.	Description	Qty
13	Z79931	Isolator, 1-1/4" Dia x 1-1/4" x 5/16NC	4
14	Z71310	Hex Bolt, 3/8NC x 1"	4
15	Z71210	Hex Bolt, 5/16NC x 1"	4
16	Z71215	Hex Bolt, 5/16NC x 1-1/2"	4
17	Z72231	Hex Lock Nut, 3/8NC	4
18	Z72221	Hex Lock Nut, 5/16NC	12
19	Z73131G8	SAE Washer, 3/8" Grade 8	12
20	Z73122G8	SAE Washer, 5/16" Grade 8	24
21	Z51191	Hex Plug, MP 08	1
22	Z72959	Rivet Nut, 3/8NC x 312	4
23	Z51334	Elbow 90, MP x FPX 1208	1

L3200 Hydraulic Winch Accessory



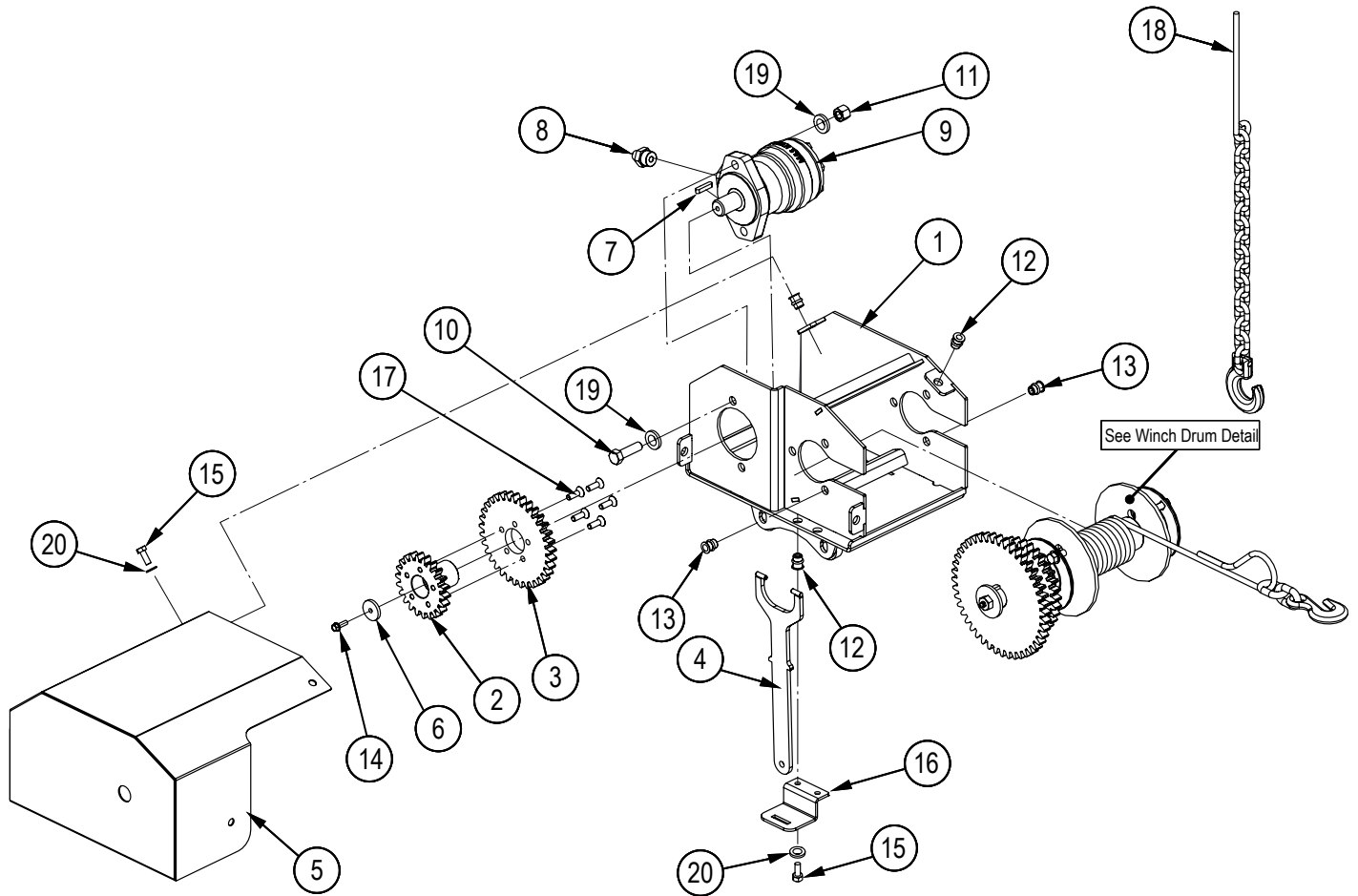
Item No.	Part No.	Description	Qty
1	6083A201	Top Cable Pulley	1
2	6083W200	Fairlead Mount	1
5	Z71517	Hex Bolt, 1/2NC x 1-3/4"	8
7	Z71310	Hex Bolt, 3/8NC x 1"	1
8	Z72959	Rivet Nut, 3/8NC x 312	1
9	Z73151G8	SAE Washer, 1/2" Grade 8	8

Hydraulic Winch Accessory Control



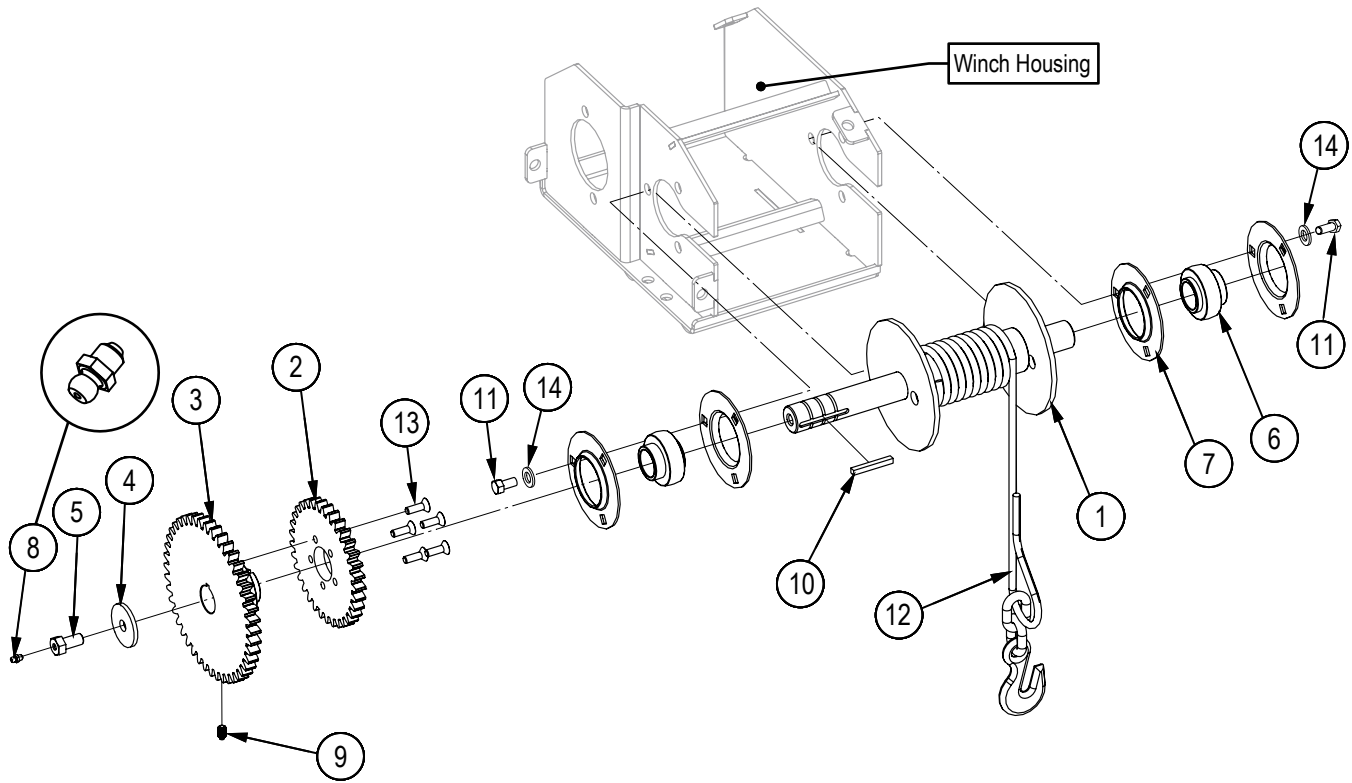
Item No.	Part No.	Description	Qty
1	Z51644	Straight, MJIC x MORB 0608	4
2	Z56216	Single Spool Valve, VC Tandem SC x 12GPM	1
3	Z71230	Hex Bolt, 5/16NC x 3"	3
4	Z72956	Rivet Nut, 5/16NC x 150	3

Hydraulic Winch Accessory Assembly



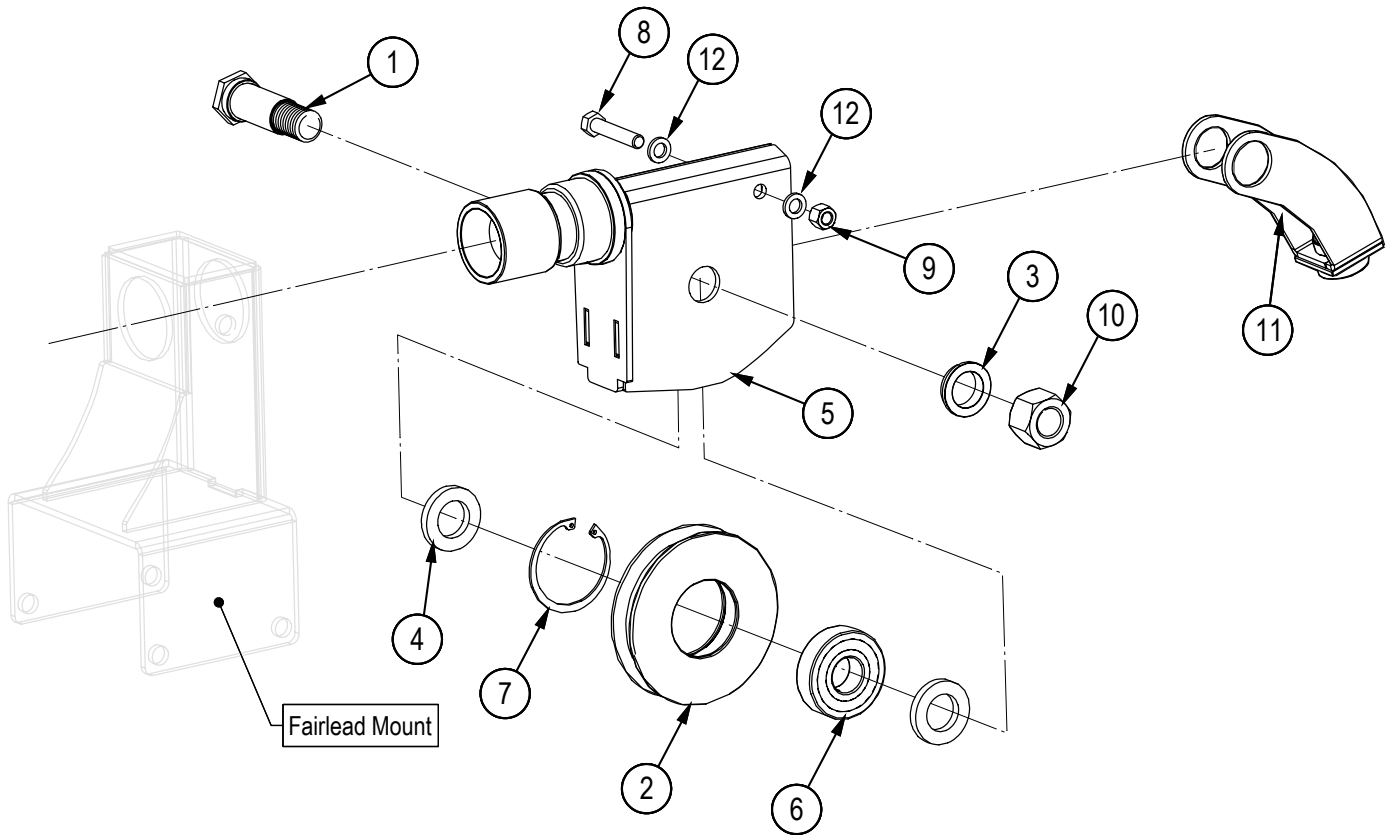
Item No.	Part No.	Description	Qty
1	6083W215	Housing, Winch	1
2	6083M255	Gear, Low Drive	1
3	6083M256	Gear, High	1
4	6083W207	Clutch Lever	1
5	6083W203	Shield	1
6	6083L293	Washer, Motor Shaft	1
7	Z46594	Blind Chipper Key, 1/4" x 1/4" x 1-1/4"	1
8	Z51645	Straight, MJIC x MORB 0610	2
9	Z54109	Hydraulic Motor, 100CCR	1
10	Z71520	Hex Bolt, 1/2NC x 2"	2
11	Z72251	Hex Lock Nut, 1/2NC	2
12	Z72957	Rivet Nut, 5/16NC x 312	6
13	Z72959	Rivet Nut, 3/8NC x 312	6
14	Z71108	Hex Bolt, 1/4NC x 7/8"	1
15	Z71210	Hex Bolt, 5/16NC x 1"	6
16	6083L215	Lever Bracket	1
17	Z75222	FHCS, 5/16NF x 1"	5
18	Z92318	Choker Chain, 5/16" x 90"	1
19	Z73151G8	SAE Washer, 1/2" Grade 8	4
20	Z73122G8	SAE Washer, 5/16" Grade 8	6

Hydraulic Accessory Winch Drum Detail



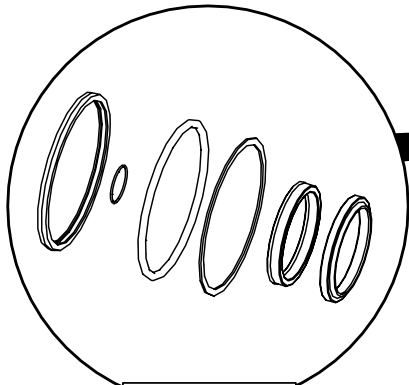
Item No.	Part No.	Description	Qty
1	6083W201	Drum, Main Cable	1
2	6083M256	Gear, High	1
3	6083M257	Gear, Low Driven	1
4	6083L207	Washer, Capture	1
5	6083M252	1/2-13 x 1 Bolt Modified	1
6	Z25207	Bearing Insert, UC206-20	2
7	Z25301	3-Bolt Flange Bearing, PF206 x Flange Only	4
8	Z29202	Grease Fitting, 1/4NF	1
9	Z34302	Spring Plunger, 3/8NC x 5/8" x 21 lbs	1
10	Z46531	Key, 1/4" x 1/4" x 2"	1
11	Z71310	Hex Bolt, 3/8NC x 1"	6
12	Z92118	Synthetic Winch Cable, 5/16" x 80ft with Grab Hook	1
13	Z75222	FHCS, 5/16NF x 1"	5
14	Z73131G8	SAE Washer, 3/8" Grade 8	6

Hydraulic Winch Accessory Top Cable Detail

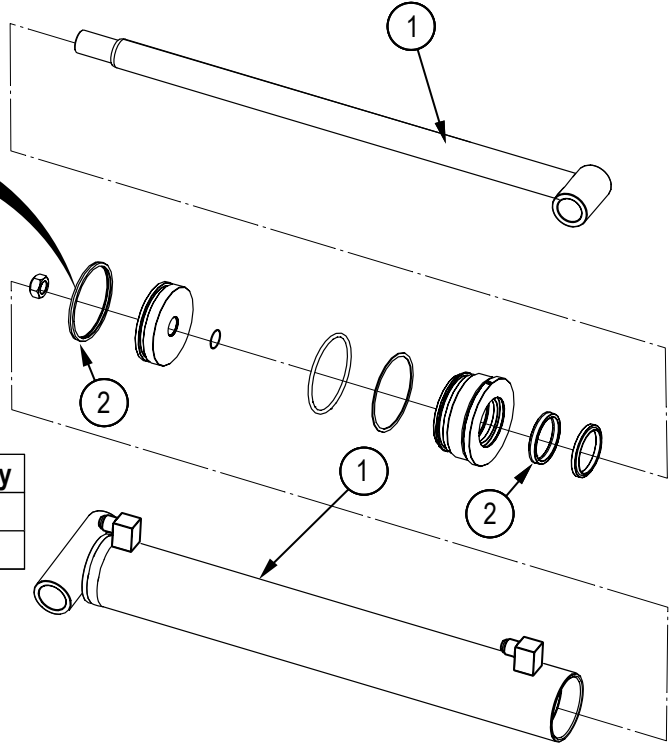


Item No.	Part No.	Description	Qty
1	5011M814	Top Pulley Pin	1
2	5011M816	Cable Pulley	1
3	5012M222	Cable Guide Swing Bushing	1
4	6083L247	Washer, Pulley Spacer - Narrow	2
5	6083W211	Frame, Top Pulley	1
6	Z21201	Ball Bearing 6305 2RS	1
7	Z46101	Internal Retaining Ring 2-7/16	1
8	Z71322	Hex Bolt, 3/8NC x 2-1/4"	1
9	Z72231	Hex Lock Nut, 3/8NC	1
10	Z72281	Hex Lock Nut, 7/8NC	1
11	6083W208	Cable Guide	1
12	Z73131G8	SAE Washer, 3/8" Grade 8	2

Main Boom Cylinder

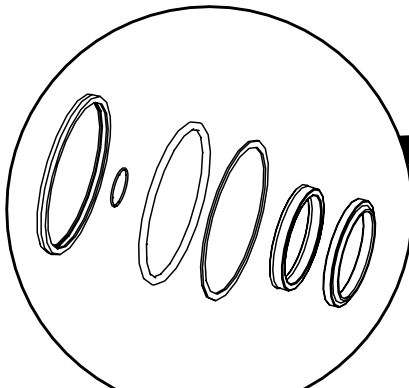


Seal Kit #SLK3015

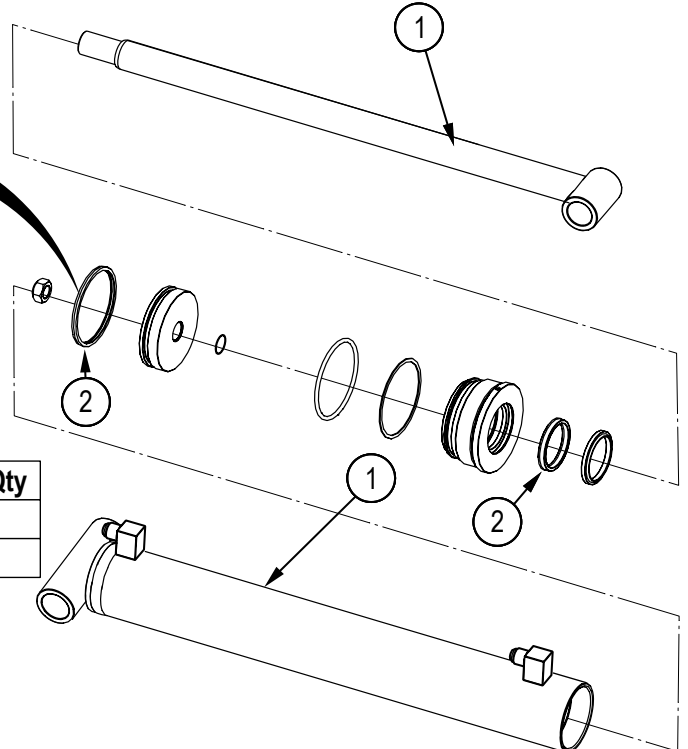


Item No.	Part No.	Description	Qty
1	6032C752	Cylinder, 3" x 1-1/2" x 20-3/4"	1
2	SLK-3015	Seal Kit, 3" x 1-1/2"	1

Dipper Boom Cylinder

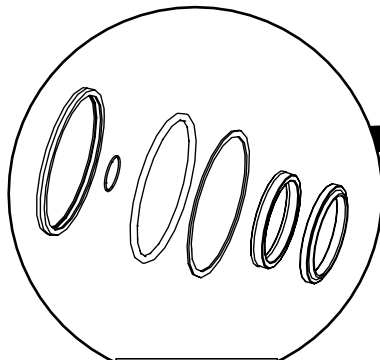


Seal Kit #SLK2512



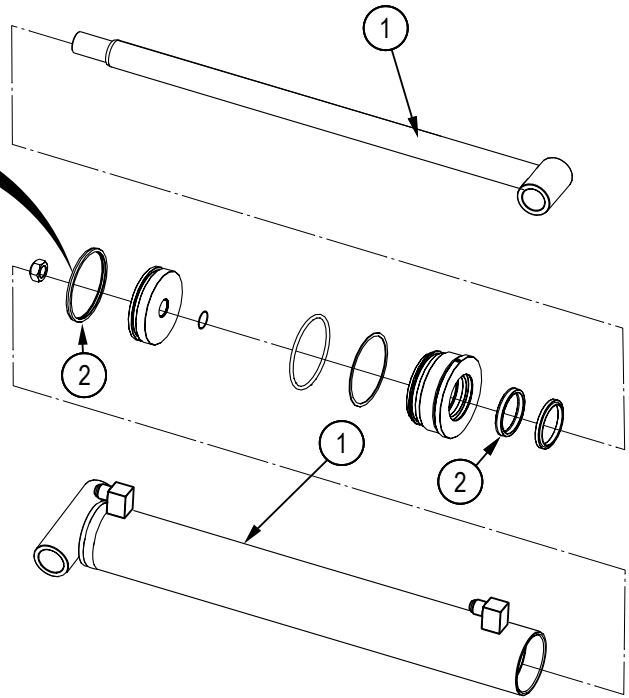
Item No.	Part No.	Description	Qty
1	6032C750	Cylinder, 2-1/2" x 1-1/4" x 17-3/4"	1
2	SLK-2512	Seal Kit, 2-1/2" x 1-1/4"	1

Stabilizer Cylinder

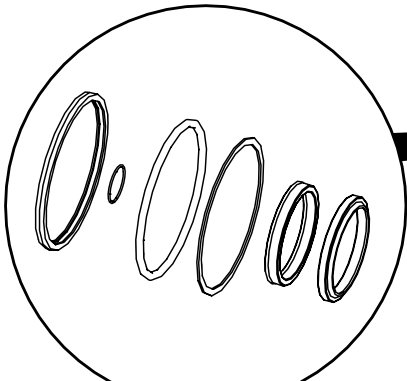


Seal Kit #SLK2012

Item No.	Part No.	Description	Qty
1	6032C754	Cylinder, 2-1/4" x 1-1/4" x 12-1/2"	1
2	SLK-2012	Seal Kit, 2" x 1-1/4"	1

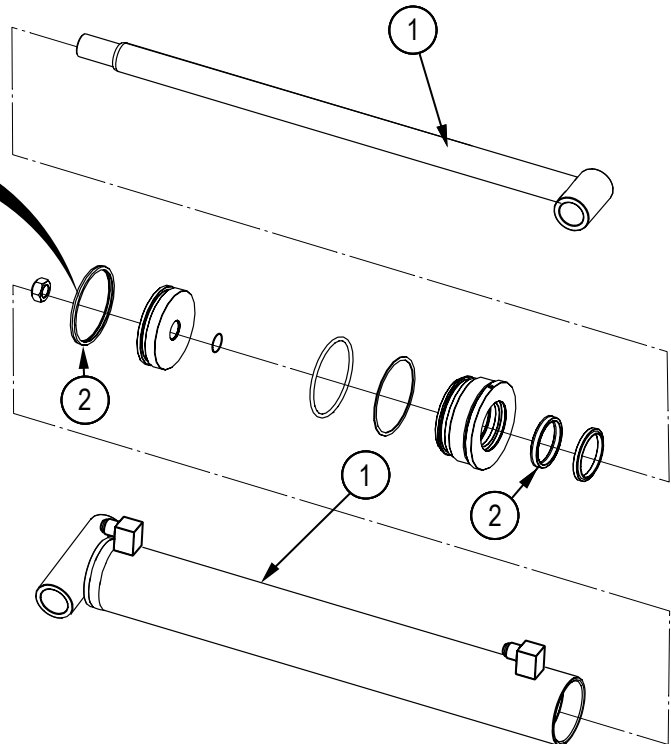



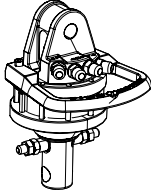
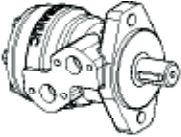
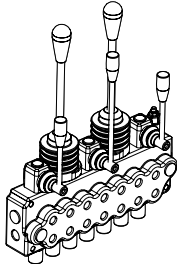
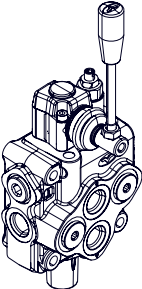
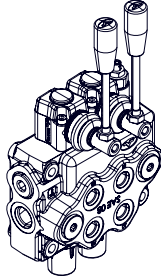
Grapple Cylinder



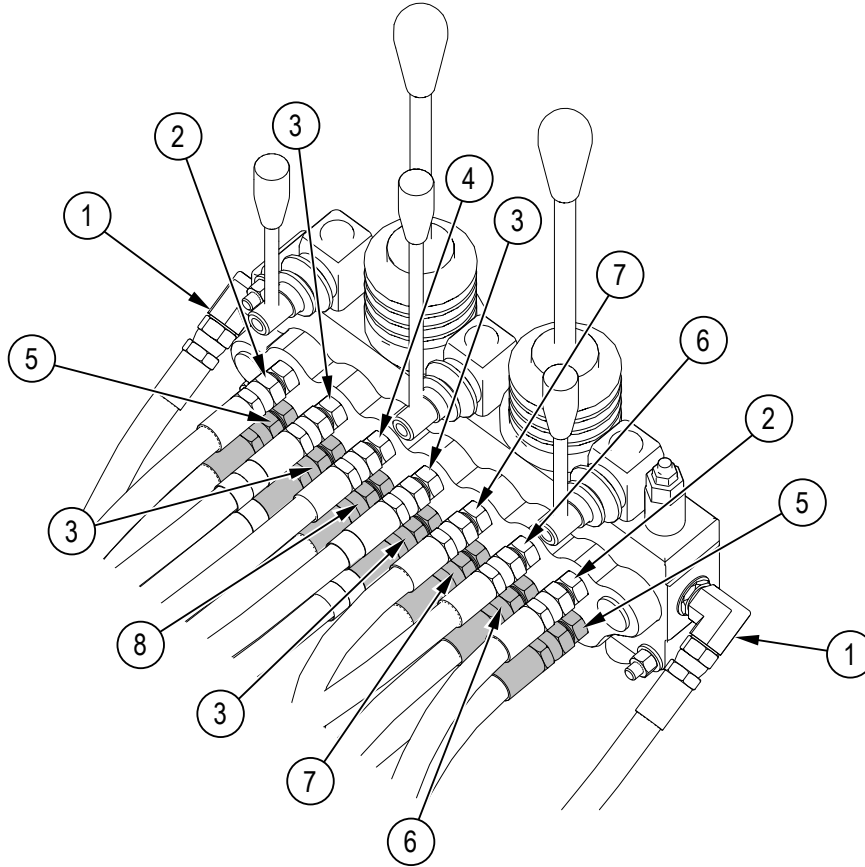
Seal Kit #SLK2515

Item No.	Part No.	Description	Qty
1	6012C205	Cylinder, 2-1/2 x 6	1
2	SLK-2515	Seal Kit, 2-1/2" x 1-1/2"	1



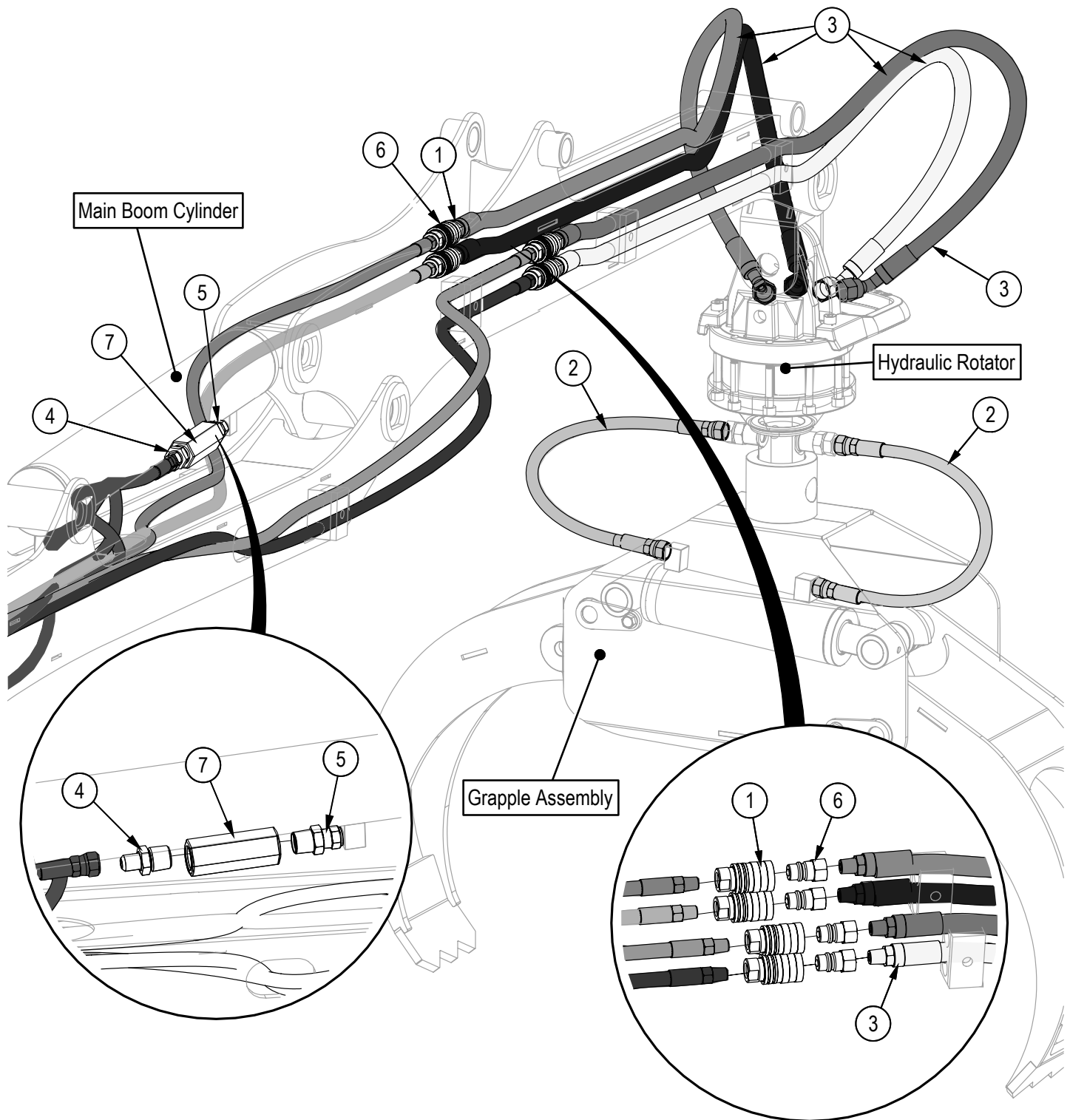
<p>Seal Kits</p>	<p>Seal Kit: Z54107 CR300 Hydraulic Rotator</p>
<p>Seal Kit: Z54104 315 Series Hydraulic Motor (Main boom)</p> <div style="display: flex; justify-content: space-around; align-items: center;">  <div data-bbox="386 277 769 340"> <p>Seal Kit: SK MLHP-U/D,E</p> </div> </div>	<div style="display: flex; justify-content: space-around; align-items: center;">  <div data-bbox="1114 277 1497 340"> <p>Seal Kit: SK CR300</p> </div> </div>
<p>Seal Kit: Z54108 Hydraulic Motor (Winch) MLHP 50</p> <div style="display: flex; justify-content: space-around; align-items: center;">  <div data-bbox="386 621 769 684"> <p>Seal Kit: SK MLHP-U/D,E</p> </div> </div>	<p>Seal Kit: Z56206 Monoblock 7-Section Valve</p> <div style="display: flex; justify-content: space-around; align-items: center;">  <div data-bbox="1127 621 1510 684"> <p>Seal Kit: SK SD5/7</p> </div> </div>
<p>Seal Kit: Z56216 Single Spool Valve</p> <div style="display: flex; justify-content: space-around; align-items: center;">  <div data-bbox="393 991 776 1054"> <p>Seal Kit: SK SD5/1</p> </div> </div>	<p>Seal Kit: Z56219 2 Spool Valve</p> <div style="display: flex; justify-content: space-around; align-items: center;">  <div data-bbox="1130 991 1513 1054"> <p>Seal Kit: SK SD5/2</p> </div> </div>

Hydraulic Circuit



Item No.	Part No.	Description	Qty
1	Z52260	3/8" Hose, FJIC06 x MP08 x 48"	1
2	6032F001	3/8" Hose, FJIC06 x FJIC06 x 58" x SC	2
3	Z52262	3/8" Hose, FJIC06 x MP04 x 172"	4
4	Z52214	3/8" Hose, FJIC06 x FJIC06 x 128"	1
5	6032F002	3/8" Hose, FJIC06 x FJIC06 x 44" x SC	2
6	Z52206	3/8" Hose, FJIC06 x FJIC06 x 30"	2
7	Z52265	3/8" Hose, FJIC06 x FJIC06 x 44"	2
8	Z52263	3/8" Hose, FJIC06 x FJIC06 x 135"	1

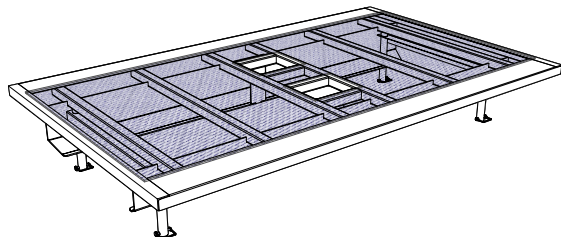
Hydraulic Circuit



Item No.	Part No.	Description	Qty
1	Z51918	Quick Coupler, FP04 x F ISO 5675	4
2	Z52203	3/8" Hose, FJIC06 x FJIC06 x 15"	2
3	Z52269	3/8" Hose, 45FJIC08 x MP04 x 52"	4
4	Z51441	Straight, MJIC x MP 0608	1
5	Z51512	Straight, MP x FJICX 0806	1
6	Z51917	Quick Coupler, FP04 x M ISO 5675	4
7	Z56104	Check Valve, FP08 x 0.040"	1

Accessories

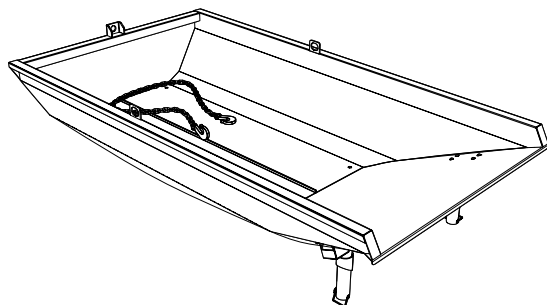
Call your dealer for pricing and availability



LT60 Expanded Metal Flat bed – P/N L630

Transporting material and equipment made easy. Simply drop on this flat bed and you're set to go!

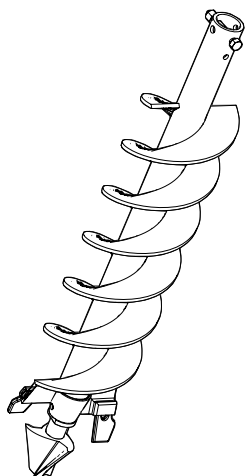
LT60 trailer L630 has a 10.6 ft x 5.8 ft (321 cm x 179 cm) cargo bed.



LT60 DUMP BOX – P/N L620

Load, transport and easily dump your loads. Made for use with the back hoe kit.

The L620 holds 45.9 ft³ (1.3 m³). Each dump box comes complete with a 6 ft (1.8 m) chain used for dumping.



#LA610 6" Diameter Auger Kit
#LA910 9" Diameter Auger Kit

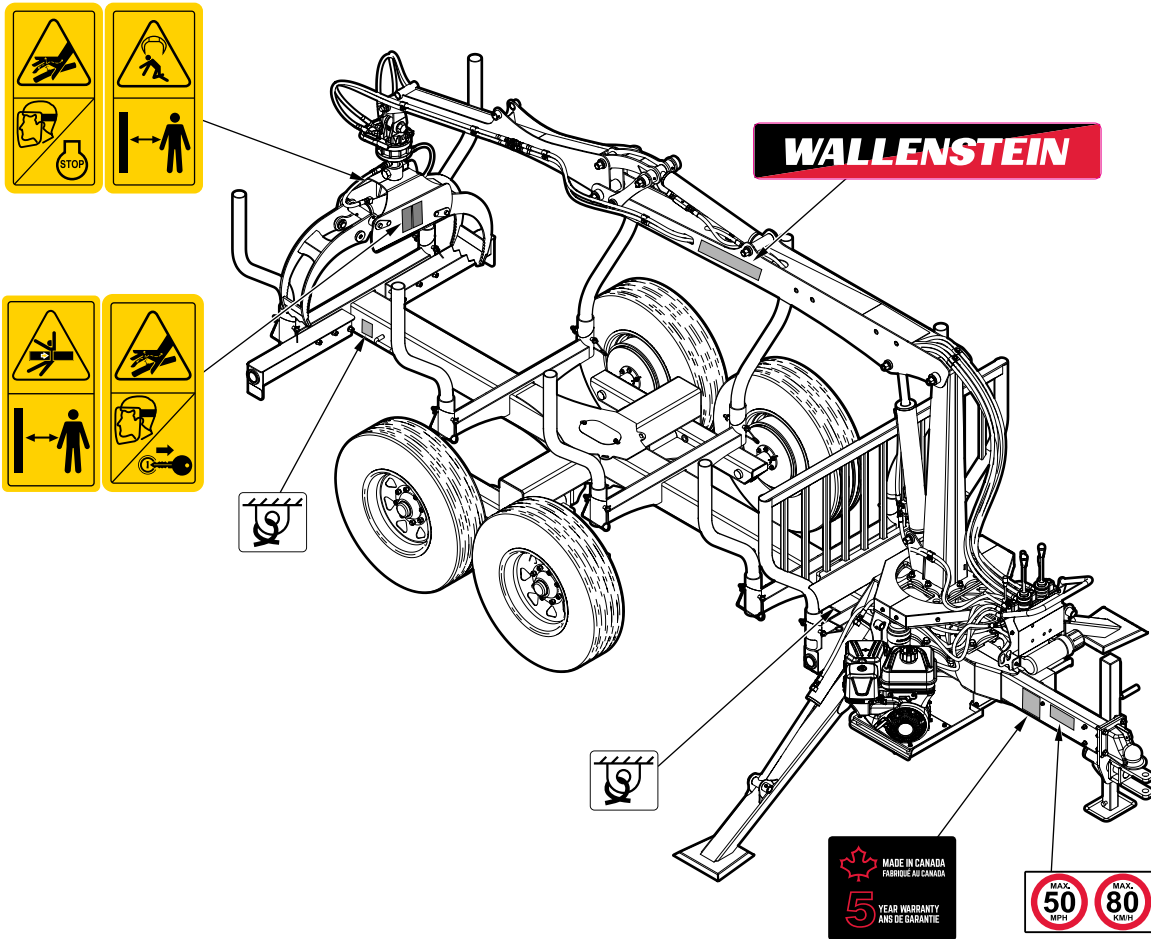
For all LX models.

A great way to get your fence post jobs done quickly and efficiently. Both hydraulic augers are capable of a hole depth of a 107 cm (42")

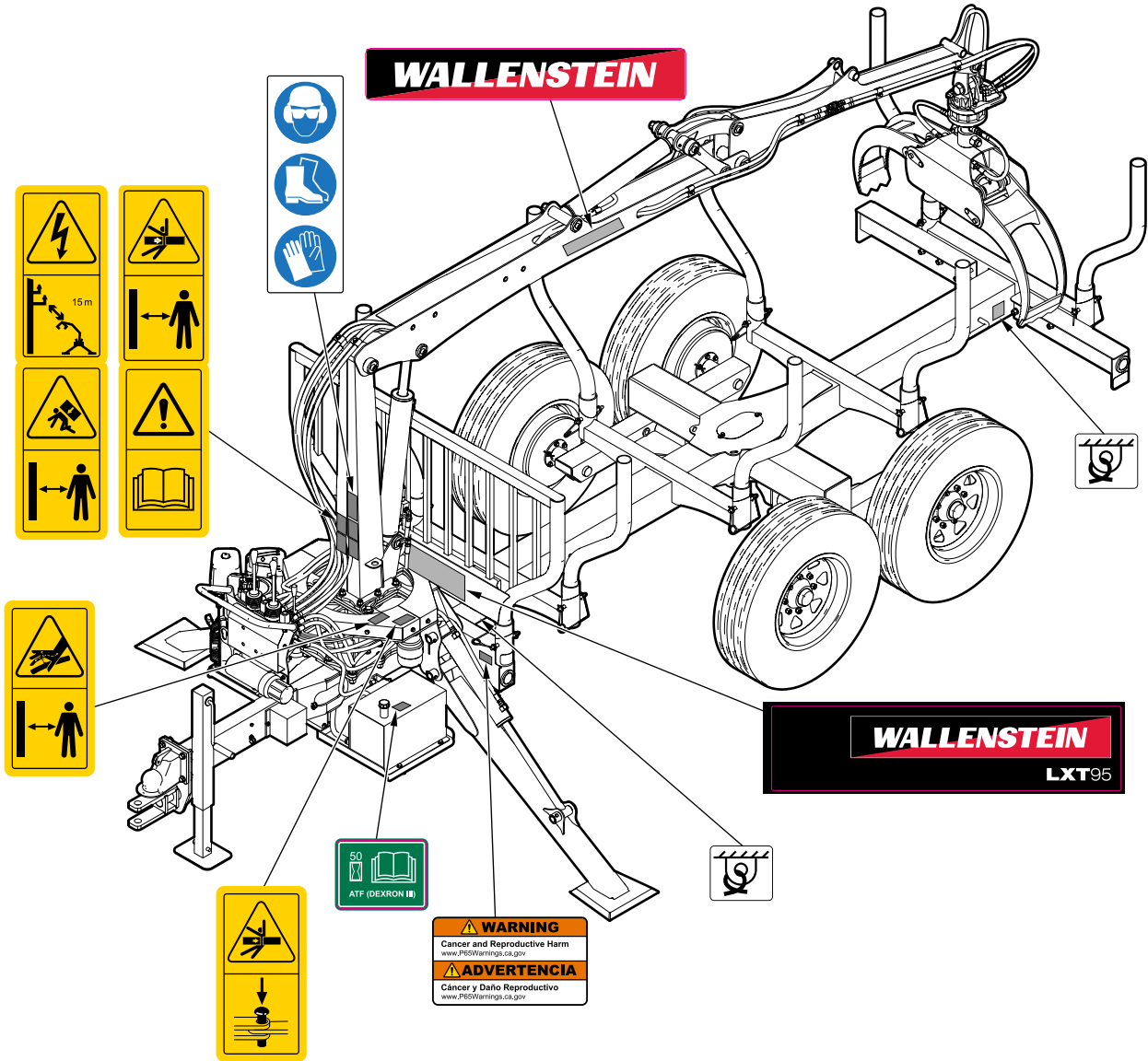
Decal Layout

IMPORTANT! If parts are replaced that have safety signs on them, new signs must be applied. Safety signs must always be replaced if they become damaged, are removed, or become illegible.

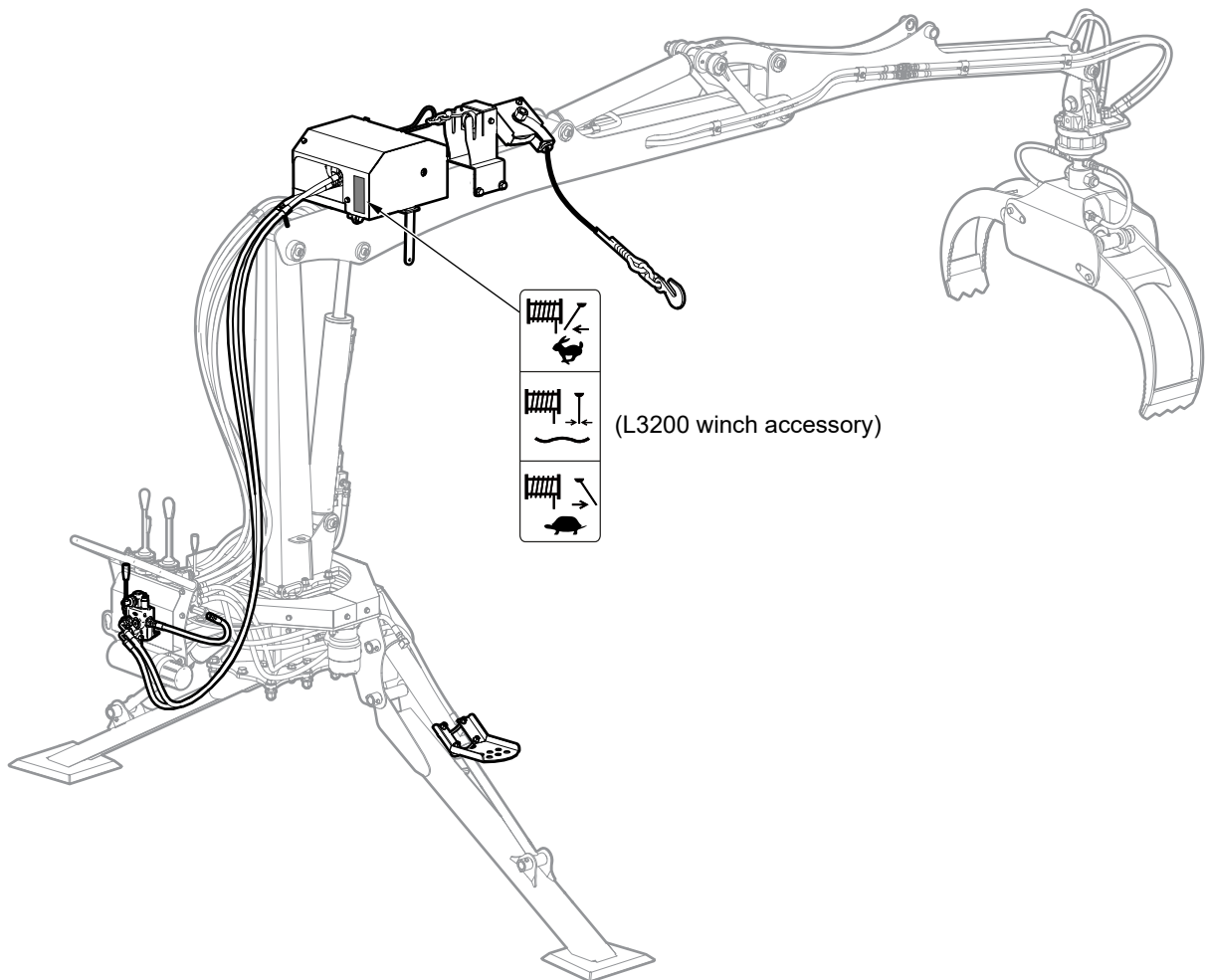
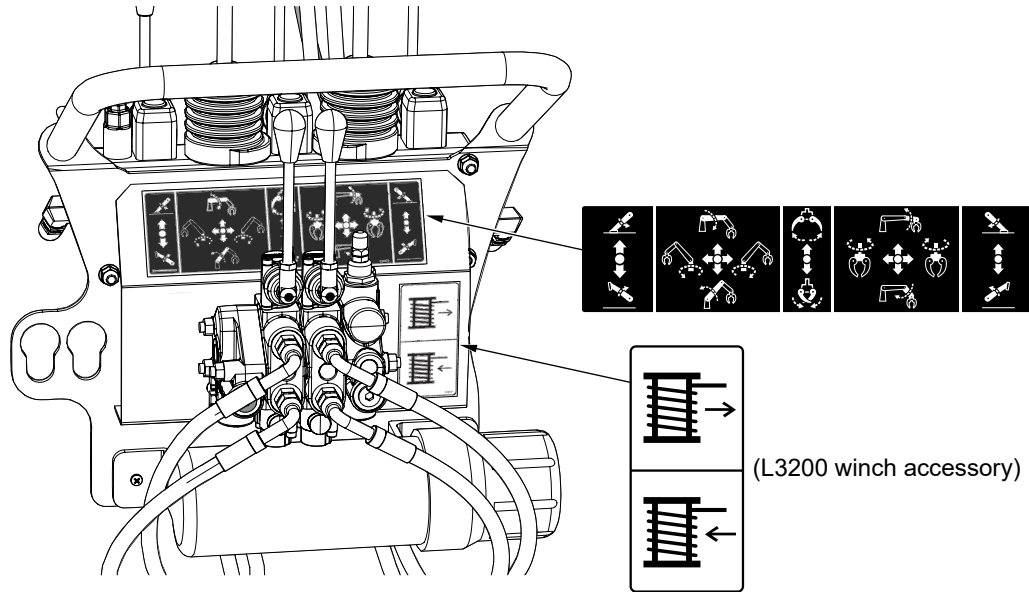
Safety signs are included in the product decal kit available from your authorized dealer. Decals are not available separately.



Decal Layout



Decal Layout



Bolt Torque

IMPORTANT! If you replace hardware, use fasteners of the same grade.

IMPORTANT! The torque specifications in these tables are for non-greased or non-oiled threads. Do not grease or oil fastener threads unless otherwise indicated. When using a thread lock, increase the specified torque 5%.



Bolt grades are identified by the marks on the bolt head.

The bolt torque specification tables provide the correct torque settings for common bolts and capscrews. Tighten all bolts to the torque that is specified in the table, unless otherwise indicated. Check the bolt tightness periodically.

Imperial Bolt Torque Specifications

Bolt Diameter	Torque					
	SAE Gr. 2		SAE Gr. 5		SAE Gr. 8	
	lbf•ft	N•m	lbf•ft	N•m	lbf•ft	N•m
1/4 inch	6	8	9	12	12	17
5/16 inch	10	13	19	25	27	36
3/8 inch	20	27	33	45	45	63
7/16 inch	30	41	53	72	75	100
1/2 inch	45	61	80	110	115	155
9/16 inch	60	95	115	155	165	220
5/8 inch	95	128	160	215	220	305
3/4 inch	165	225	290	390	400	540
7/8 inch	170	230	420	570	650	880



SAE Gr. 2



SAE Gr. 5



SAE Gr. 8

Metric Bolt Torque Specifications

Bolt Diameter	Torque			
	Gr. 8.8		Gr. 10.9	
	lbf•ft	N•m	lbf•ft	N•m
M3	0.4	0.5	1.3	1.8
M4	2.2	3	3.3	4.5
M6	7	10	11	15
M8	18	25	26	35
M10	37	50	52	70
M12	66	90	92	125
M14	83	112	116	158
M16	166	225	229	310
M20	321	435	450	610
M30	1,103	1,495	1,550	2,100



8.8



10.9

Hydraulic Fitting Torque

Tighten flare-type tube fittings:

1. Check the flare and flare seat for defects that might cause leaks.
2. Align the tube with the fitting before tightening.
3. Hand-tighten the swivel nut until it is snug.
4. To prevent the tube from twisting, use two wrenches. Place one wrench on the connector body and tighten the swivel nut with the second wrench. Torque the fitting to the correct specification.

If a torque wrench is not available, use the flats from finger tight (FFFT) method.

Hydraulic Fitting Torque Specifications					
Tube size OD	Hex size across flats	Torque		Flats from finger tight	
		lbf•ft	N•m	Flats	Turns
3/16	7/16	6	8	2	1/6
1/4	9/16	11–12	15–17	2	1/6
5/16	5/8	14–16	19–22	2	1/6
3/8	11/16	20–22	27–30	1-1/4	1/6
1/2	7/8	44–48	59–65	1	1/6
5/8	1	50–58	68–79	1	1/6
3/4	1-1/4	79–88	107–119	1	1/8
1	1-5/8	117–125	158–170	1	1/8

Specifications are for non-lubricated connections.

Lug Nut Torque



WARNING!

Wheel lug nuts must be installed and kept at the correct torque to prevent loose wheels, broken studs, or possible separation of a wheel from the axle.

It is an extremely important safety procedure to apply and maintain the correct torque on lug nuts that secure the wheel to the trailer axle. A calibrated torque wrench is the best tool to make sure that the correct amount of torque is applied to a fastener.

Tighten wheel lug nuts to the correct torque before the first use and after each wheel removal. After a wheel is installed, check and torque the lug nuts after the first 10 miles (16 km), 25 miles (40 km), and 50 miles (80 km). Check the lug nut torque periodically thereafter.

- Start all lug nuts onto the threads by hand.
- Tighten lug nuts in stages, following the pattern shown below the Lug Nut Torque Specifications table.

Lug Nut Torque Specifications				
Wheel size	Units	First stage	Second stage	Third stage
8 inch	lbf•ft N•m	12–20 16–26	30–35 39–45.5	45–55 58.5–71.5
12 inch	lbf•ft N•m	20–25 26–32.5	35–40 45.5–52	50–60 65–78
13 inch	lbf•ft N•m	20–25 26–32.5	35–40 45.5–52	50–60 65–78
14 inch	lbf•ft N•m	20–25 26–32.5	50–60 65–78	90–120 117–156
15 inch	lbf•ft N•m	20–25 26–32.5	50–60 65–78	90–120 117–156
16 inch	lbf•ft N•m	20–25 26–32.5	50–60 65–78	90–120 117–156

Lug nut torque pattern:

