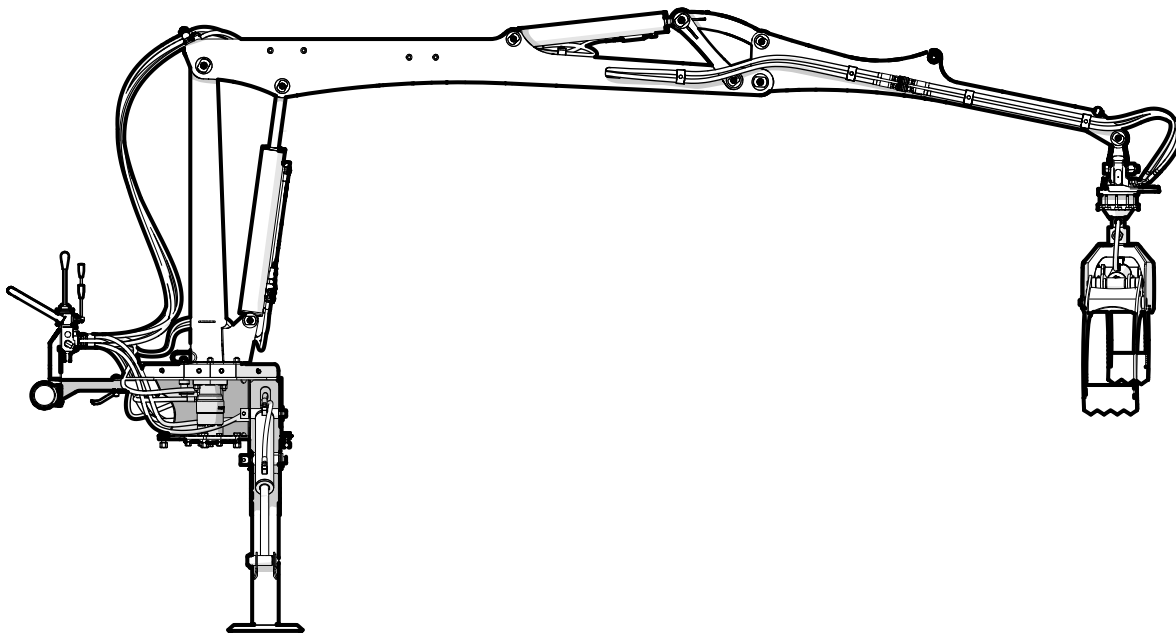


PARTS MANUAL

Serial Number 115X51 & Up

LX115 / LX115W LOG LOADER



Foreword

This Wallenstein parts manual is prepared to assist customers in ordering quality OEM replacement parts.

Regular maintenance combined with replacing old, worn or broken parts with the correct OEM parts is essential in prolonging the life of your Wallenstein product. Refer to this manual to identify replacement parts.

To order parts, contact your Wallenstein dealer or distributor. Have the product model and serial number handy.

If your dealer is no longer available, please go to our website: <http://wallensteinequipment.com> and click on the [Dealer Locator](#) to find the nearest dealer.

All information contained in this parts manual is current as per the revision date at the bottom of the page. Wallenstein reserves the right to change product specifications at any time without notice.

If your product specifications differ from those contained in this manual, contact Wallenstein for current information.

Reproduction of information in this parts manual is prohibited without prior written permission from Wallenstein Equipment Inc.

Wallenstein Equipment Inc. • © 2019

WARNING!

Refer to the operators manual for safe operation and maintenance.

Maintenance should be performed by trained personnel only.

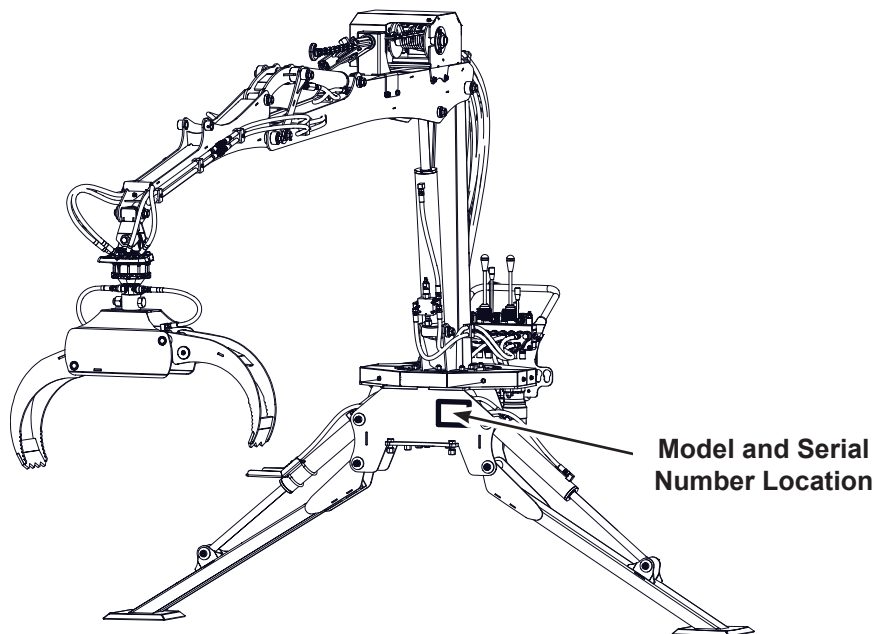
Serial Number Location

Always provide the model and serial number of your Wallenstein product when ordering parts or requesting service or other information. This information is found on the product information plate as shown below.

Record your product information here for future reference.

Model _____

Serial Number _____

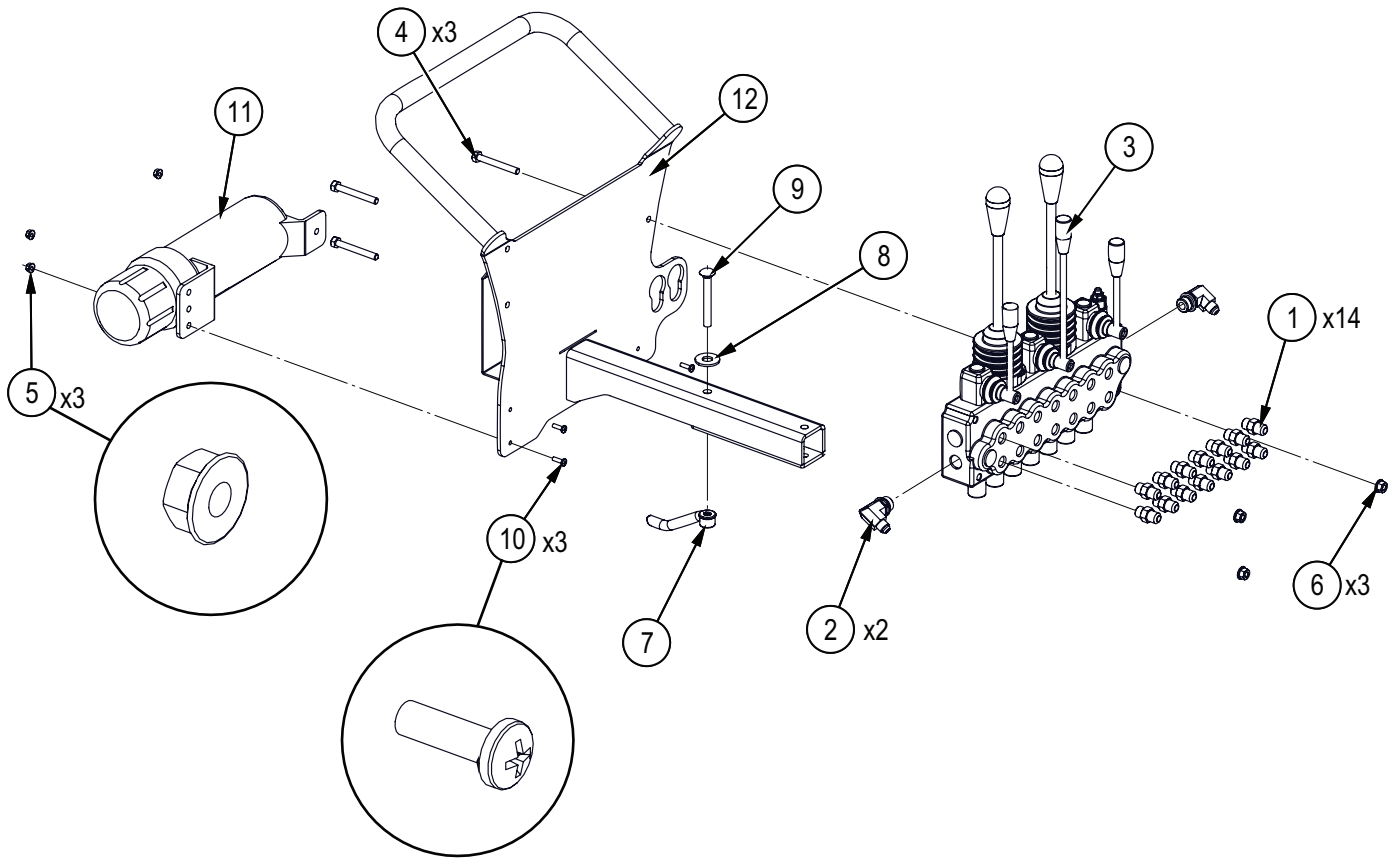


www.wallensteinequipment.com

Contents

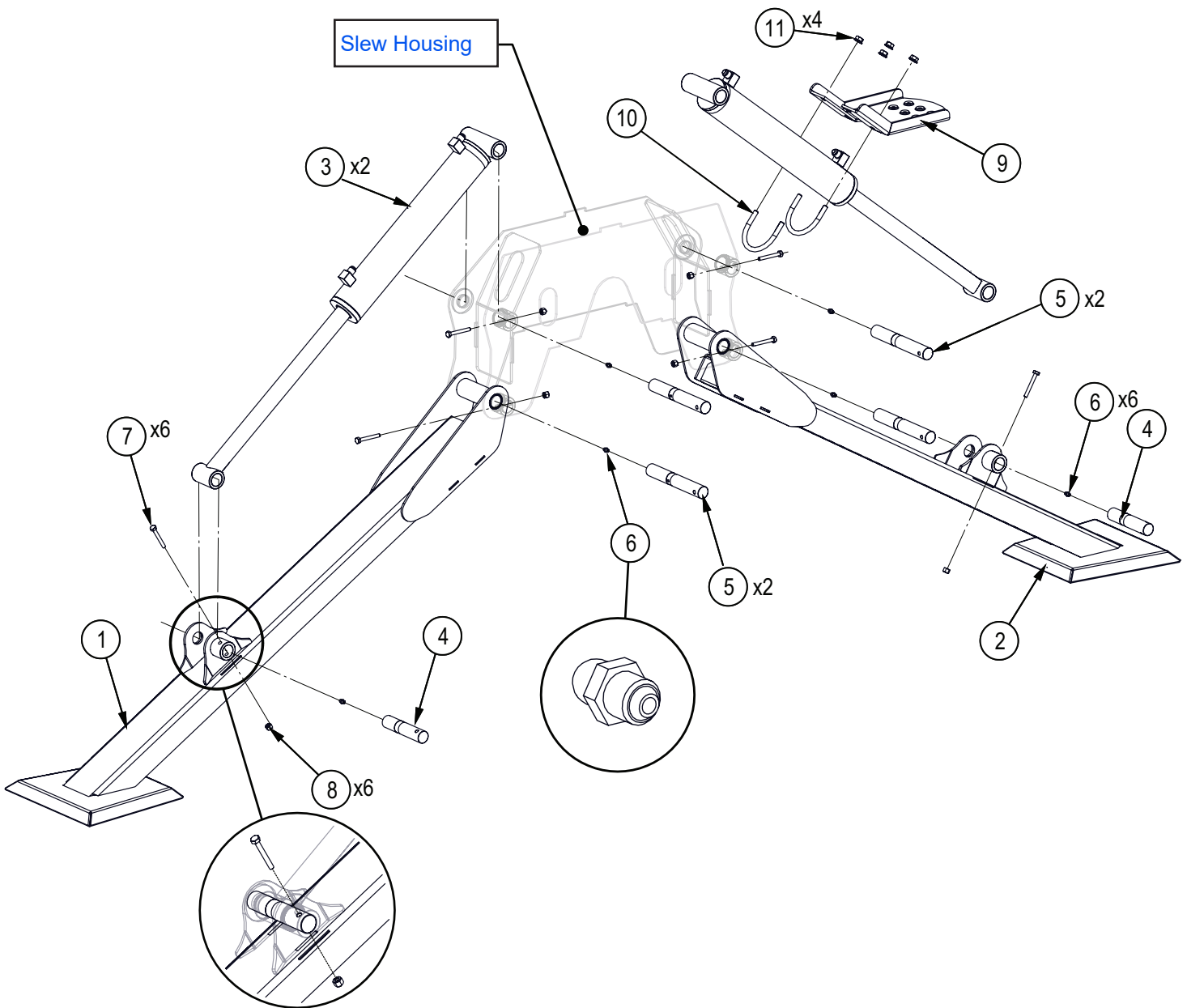
Control Panel Assembly	4
Stabilizer Assembly	5
Slew Housing Assembly	6
Main Tower	7
Main Boom Assembly	8
Dipper Boom Assembly	9
Grapple Assembly	10
Grapple Fork Assembly	11
L601 Power Pack – Option	12
Hydraulic Winch Kit – LX115W	13
Hydraulic Winch Assembly – LX115W	14
Hydraulic Winch Control – LX115W	15
Winch Drum Detail – LX115W	16
Top Cable Detail – LX115W	17
Main Boom Cylinder Detail	18
Dipper Boom Cylinder Detail	18
Stabilizer Cylinder Detail	19
Grapple Cylinder Detail	19
Seal Kits	20
Hydraulic Circuit	21
Hydraulic Circuit – Winch	22
Decal Layout	23
Accessories	24
Common Bolt Torque Values	26
Hydraulic Fitting Torque Values	27

Control Panel Assembly



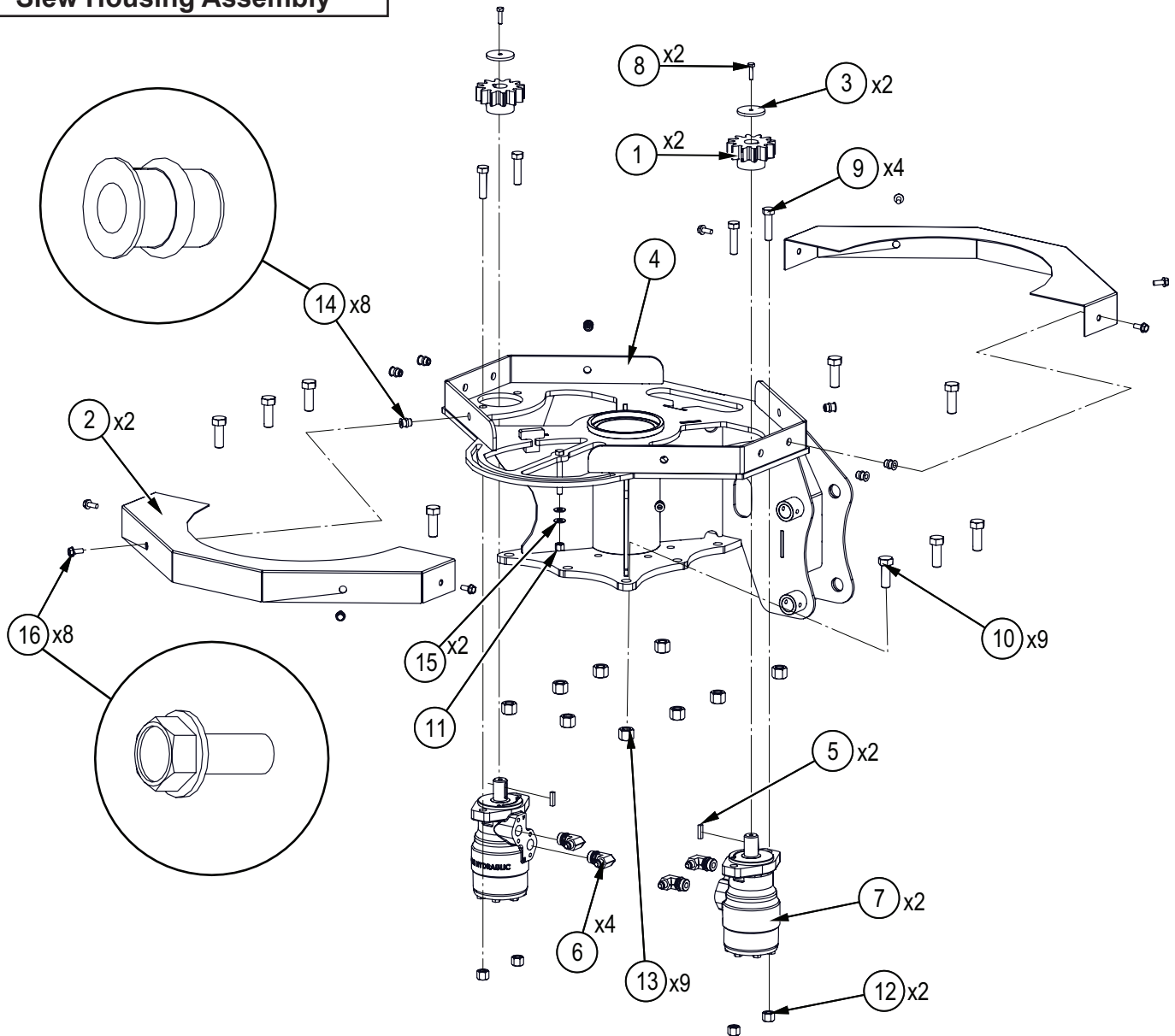
Item No.	Part No.	Description	Qty
1	Z51641	Straight, MJIC x MORB 0606	14
2	Z51655	Elbow 90, MJIC x MORB 0608	2
3	Z56206	Seven Spool Valve, VC x 12GPM	1
4	Z71225	Hex Bolt, 5/16NC x 2-1/2"	3
5	Z72502	Serrated Flange Locknut, #10NC	3
6	Z72521	Serrated Flange Locknut, 5/16NC	3
7	Z72981	Handle Nut, 3/8NC	1
8	Z73252	PTFE Washer, 1/2" x .101"	1
9	Z76238	Carriage Bolt, 3/8NC x 3"	1
10	Z78312	Machine Screw, #10NC x 5/8"	3
11	Z96503	Manual Tube, 3-1/2" Short	1
12	6030W142	Console Arm	1

Stabilizer Assembly



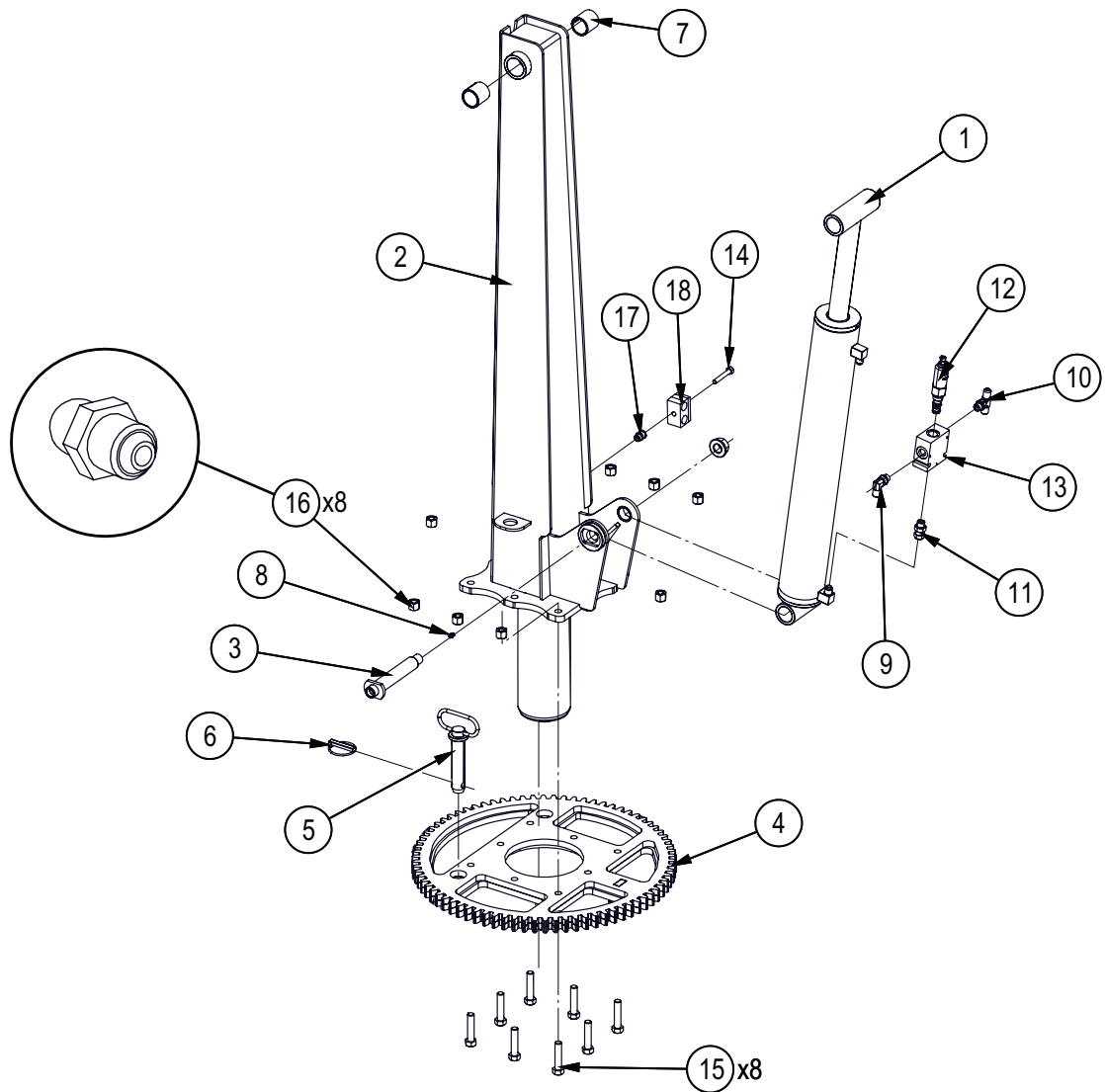
Item No.	Part No.	Description	Qty
1	6032W206H	Stabilizer Arm - LH	1
2	6032W206	Stabilizer Arm - RH	1
3	6032C754	Cylinder, 2-1/4" x 1-1/4" x 12-1/2"	2
4	6032M919	Pin, Stabilizer Short	2
5	6032M920	Pin, Stabilizer Long	4
6	Z29202	Grease Fitting, 1/4NF	6
7	Z71120	Hex Bolt, 1/4NC x 2"	6
8	Z72211	Hex Lock Nut, 1/4NC	6
9	6083L286	Step, Winch Option	1
10	3012S204	U-Bolt, Stab Step	2
11	Z72531	Serrated Flange Locknut, 3/8NC	4

Slew Housing Assembly



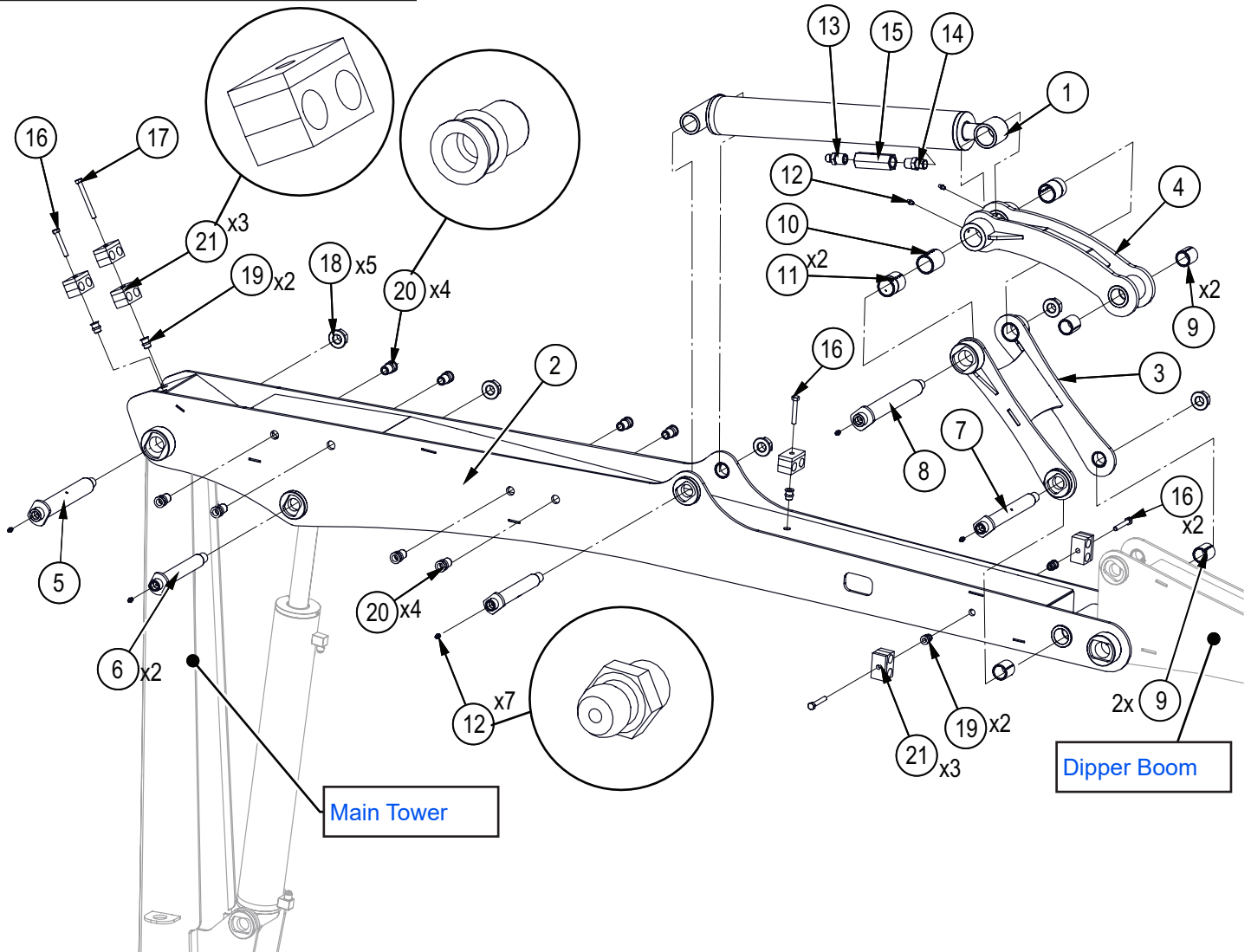
Item No.	Part No.	Description	Qty
1	6031M653	Gear, Motor -Small	2
2	6032L583	Shield, Slew Front	2
3	6032L592	Washer, Sprocket Capture	2
4	6032W129	Slew Housing	1
5	Z46533	Key, 1/4" x 1/4" x 1"	2
6	Z51656	Elbow 90, MJIC x MORB 0610	4
7	Z54104	Hydraulic Motor, 315CCR	2
8	Z71110	Hex Bolt, 1/4NC x 1"	2
9	Z71520	Hex Bolt, 1/2NC x 2"	4
10	Z71617	Hex Bolt, 5/8NC x 1-3/4"	9
11	Z72231	Hex Lock Nut, 3/8NC	1
12	Z72251	Hex Lock Nut, 1/2NC	4
13	Z72261	Hex Lock Nut, 5/8NC	9
14	Z72957	Rivet Nut, 5/16NC x 312	8
15	Z73131	SAE Washer, 3/8"	2
16	Z76121	Flange Bolt, 5/16NC x 3/4"	8

Main Tower



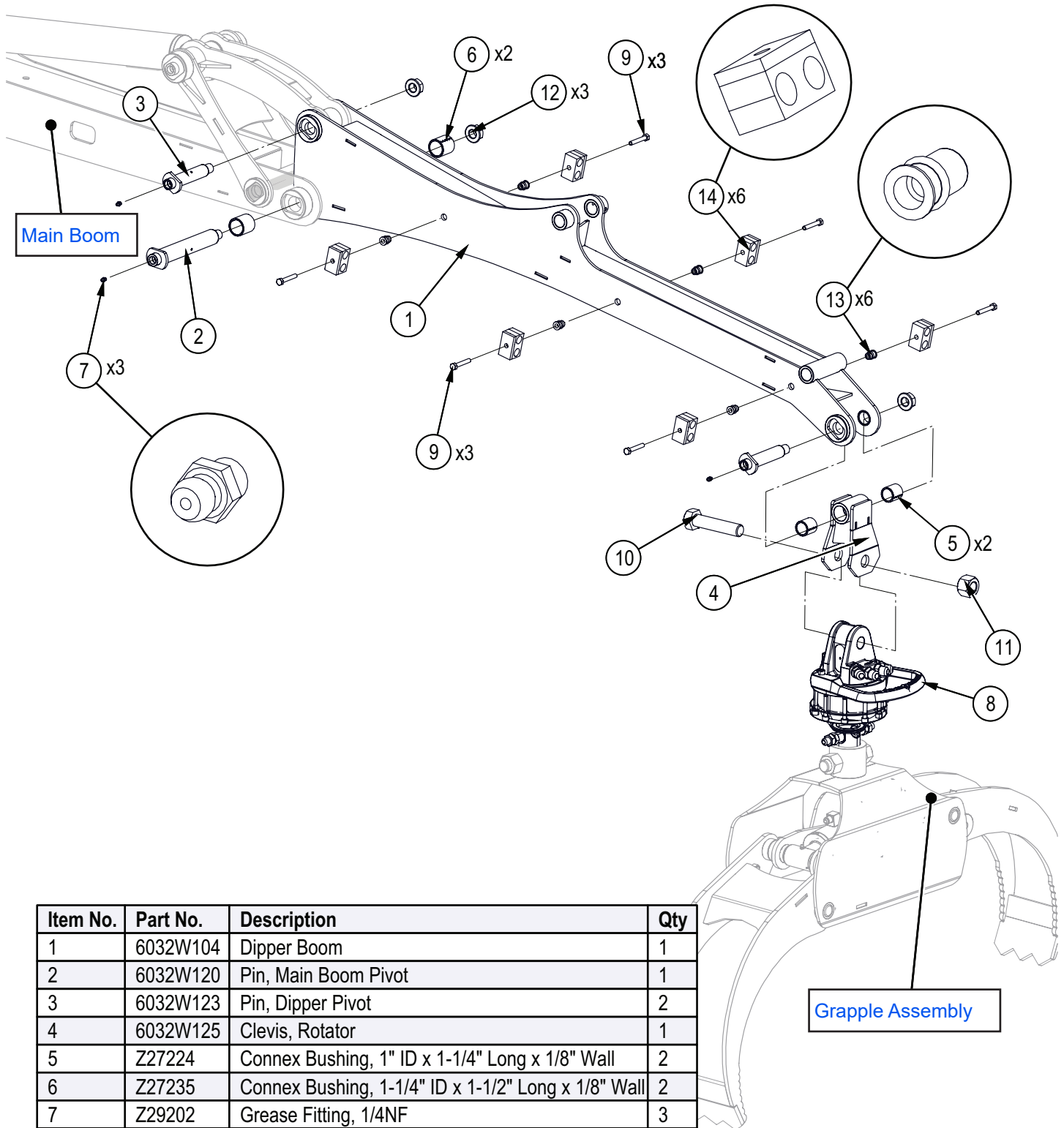
Item No.	Part No.	Description	Qty
1	6032C752	Cylinder, 3" x 1-1/2" x 20-3/4"	1
2	6032W102	Main Tower	1
3	6032W122	Pin, Main Boom Cylinder	1
4	6032W131	78th Slew Gear	1
5	Z11264	Hitch Pin, 1" x 3-3/4" MOD	1
6	Z12140	Lynch Pin, 7/16"	1
7	Z27235	Connex Bushing, 1-1/4" ID x 1-1/2" Long x 1/8" Wall	2
8	Z29202	Grease Fitting, 1/4NF	1
9	Z51651	Elbow 90, MJIC x MORB 0606	1
10	Z51674	Tee, MJIC x MJIC x MORB 060606	1
11	Z51761	Straight, MORB x FJICX 0606	1
12	Z56105-1	Counterbalance Valve, Cartridge	1
13	Z56105-2	Counterbalance Valve, Body	1
14	Z71220	Hex Bolt, 5/16NC x 2"	1
15	Z71522	Hex Bolt, 1/2NC x 2-1/4"	8
16	Z72251	Hex Lock Nut, 1/2NC	8
17	Z72957	Rivet Nut, 5/16NC x 312	1
18	Z79463	Double Hose Clamp, 11/16" OD	1

Main Boom Assembly



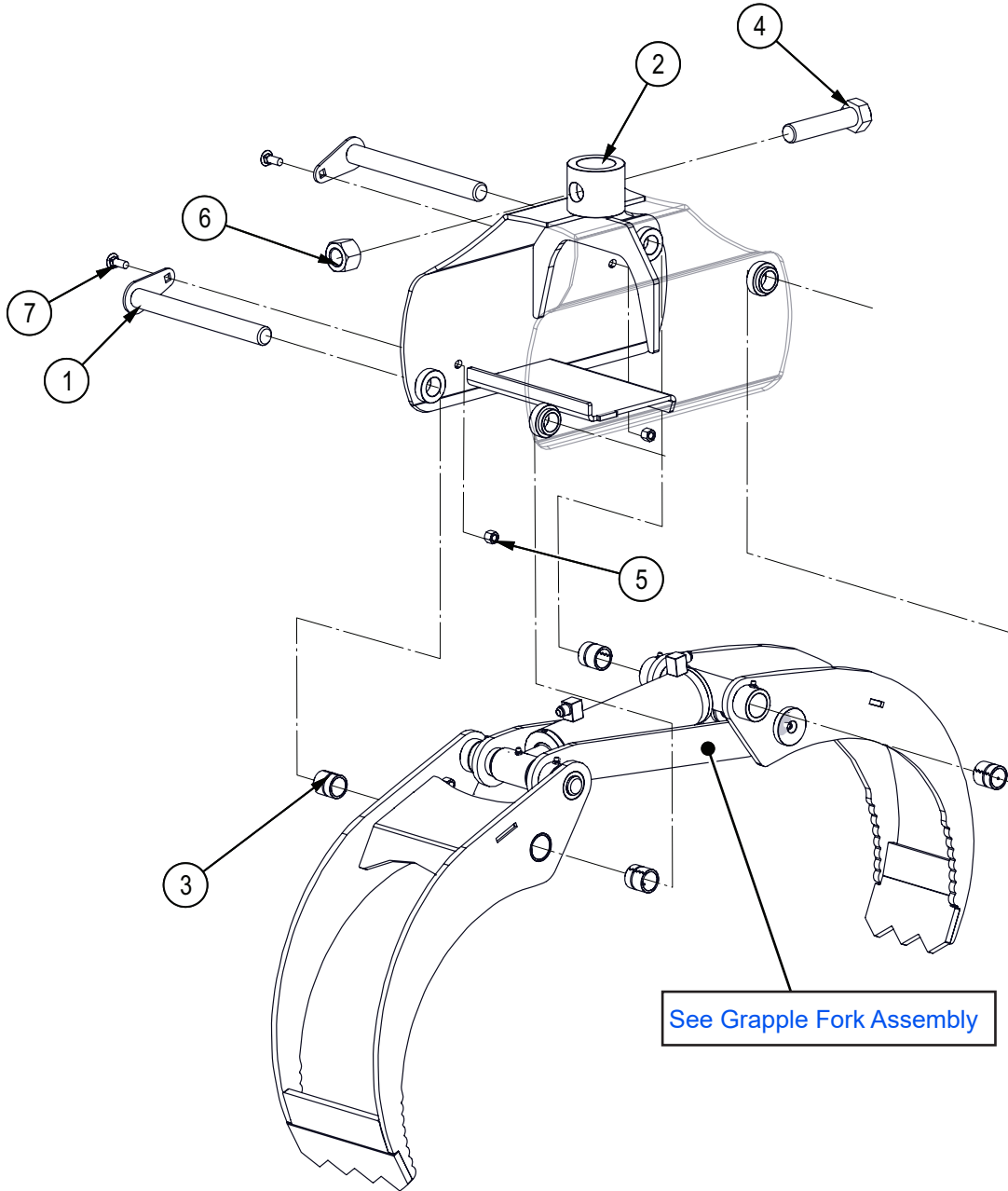
Item No.	Part No.	Description	Qty
1	6032C750	Cylinder, 2-1/2" x 1-1/4" x 17-3/4"	1
2	6032W103	Main Boom	1
3	6032W105	Linkage Outer, Dipper Boom	1
4	6032W106	Linkage Inner, Dipper Boom	1
5	6032W120	Pin, Main Boom Pivot	1
6	6032W121	Main Boom-Dipper Boom Cyl, Pin	2
7	6032W124	Pin, Outer Linkage	1
8	6032W150	Pin, Dipper Linkage Cylinder Pin	1
9	Z27224	Connex Bushing, 1" ID x 1-1/4" Long x 1/8" Wall	4
10	Z27231	Connex Bushing, 1-1/4" ID x 1-3/4" Long x 1/8" Wall	1
11	Z27237	Connex Bushing, 1-1/4" ID x 1-3/4" Long x 1/8" Wall x 5/8" Groove Center	2
12	Z29202	Grease Fitting, 1/4NF	7
13	Z51441	Straight, MJIC x MP 0608	1
14	Z51512	Straight, MP x FJICX 0806	1
15	Z56104	Check Valve, FP08 x 0.040"	1
16	Z71220	Hex Bolt, 5/16NC x 2"	4
17	Z71230	Hex Bolt, 5/16NC x 3"	1
18	Z72571	Serrated Flange Locknut, 3/4NF Top Lock	5
19	Z72957	Rivet Nut, 5/16NC x 312	5
20	Z72961	Rivet Nut, 1/2NC x 350	8
21	Z79463	Double Hose Clamp, 11/16" OD	6

Dipper Boom Assembly



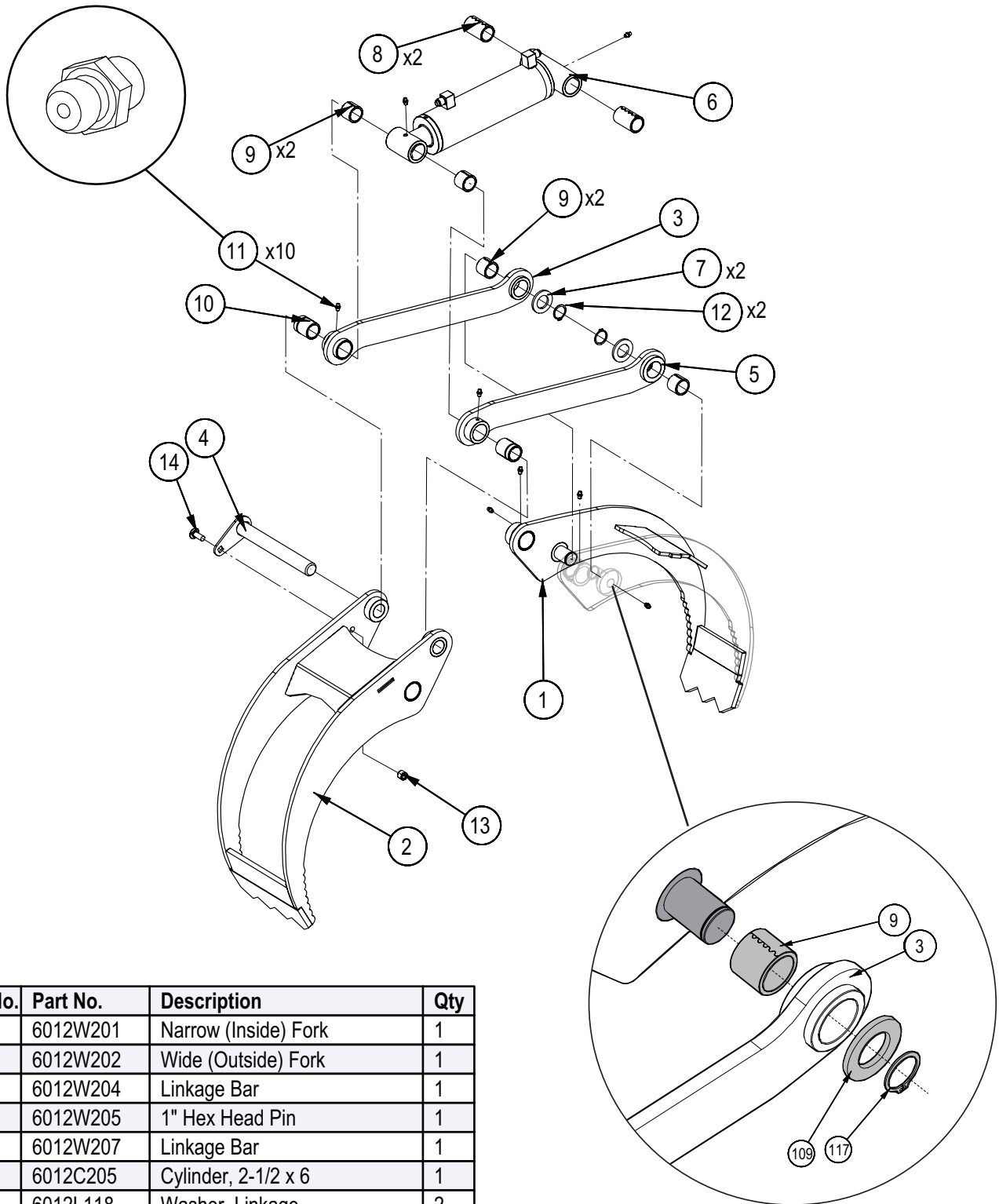
Item No.	Part No.	Description	Qty
1	6032W104	Dipper Boom	1
2	6032W120	Pin, Main Boom Pivot	1
3	6032W123	Pin, Dipper Pivot	2
4	6032W125	Clevis, Rotator	1
5	Z27224	Connex Bushing, 1" ID x 1-1/4" Long x 1/8" Wall	2
6	Z27235	Connex Bushing, 1-1/4" ID x 1-1/2" Long x 1/8" Wall	2
7	Z29202	Grease Fitting, 1/4NF	3
8	Z54107	Hydraulic Rotator, CR300W	1
9	Z71220	Hex Bolt, 5/16NC x 2"	6
10	Z71911	Hex Bolt, 1NC x 4-1/2"	1
11	Z72291	Hex Lock Nut, 1NC	1
12	Z72571	Serrated Flange Locknut, 3/4NF Top Lock	3
13	Z72957	Rivet Nut, 5/16NC x 312	6
14	Z79463	Double Hose Clamp, 11/16" OD	6

Grapple Assembly



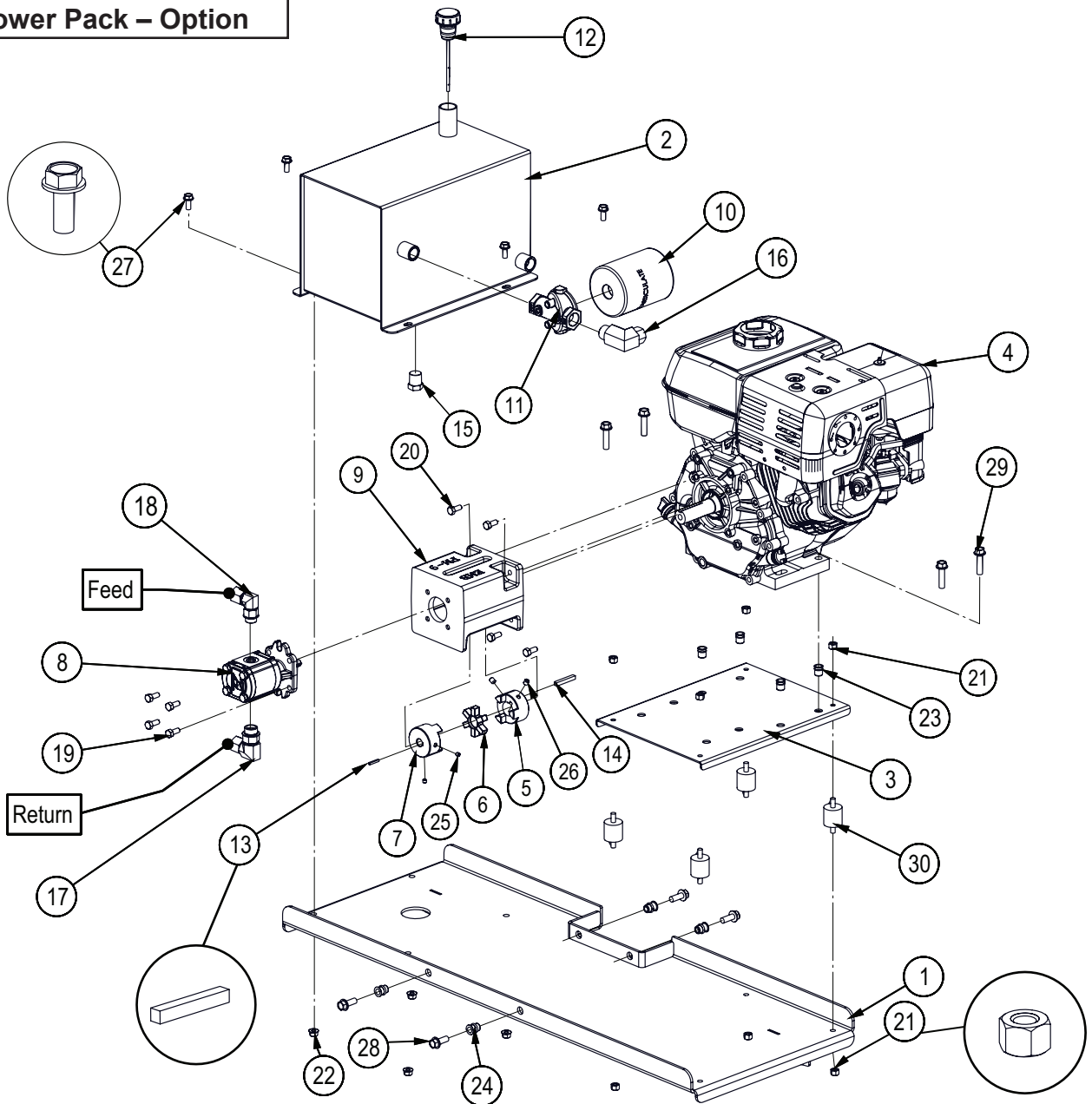
Item No.	Part No.	Description	Qty
1	6012W203	1" Flange Pin	2
2	6012W215	Main Grapple Frame	1
3	Z27227	Connex Bushing, 1" ID x 1-1/4" Long x 1/8" Wall x 1/2" Groove Center	4
4	Z71911	Hex Bolt, 1NC x 4-1/2"	1
5	Z72231	Hex Lock Nut, 3/8NC	2
6	Z72291	Hex Lock Nut, 1NC	1
7	Z76231	Carriage Bolt, 3/8NC x 1"	2

Grapple Fork Assembly



Item No.	Part No.	Description	Qty
1	6012W201	Narrow (Inside) Fork	1
2	6012W202	Wide (Outside) Fork	1
3	6012W204	Linkage Bar	1
4	6012W205	1" Hex Head Pin	1
5	6012W207	Linkage Bar	1
6	6012C205	Cylinder, 2-1/2 x 6	1
7	6012L118	Washer, Linkage	2
8	Z27222	Connex Bushing 1 x 2	2
9	Z27223	Connex Bushing 1 x 1	4
10	Z27226	Connex Bushing 1 x 1-1/2 x 3/8	2
11	Z29202	Grease Zerk 1/4NF	10
12	Z46204	External Retaining Ring, 1"	2
13	Z72531	Serrated Flange Locknut, 3/8NC	1
14	Z76231	Carriage Bolt, 3/8NC x 1	1

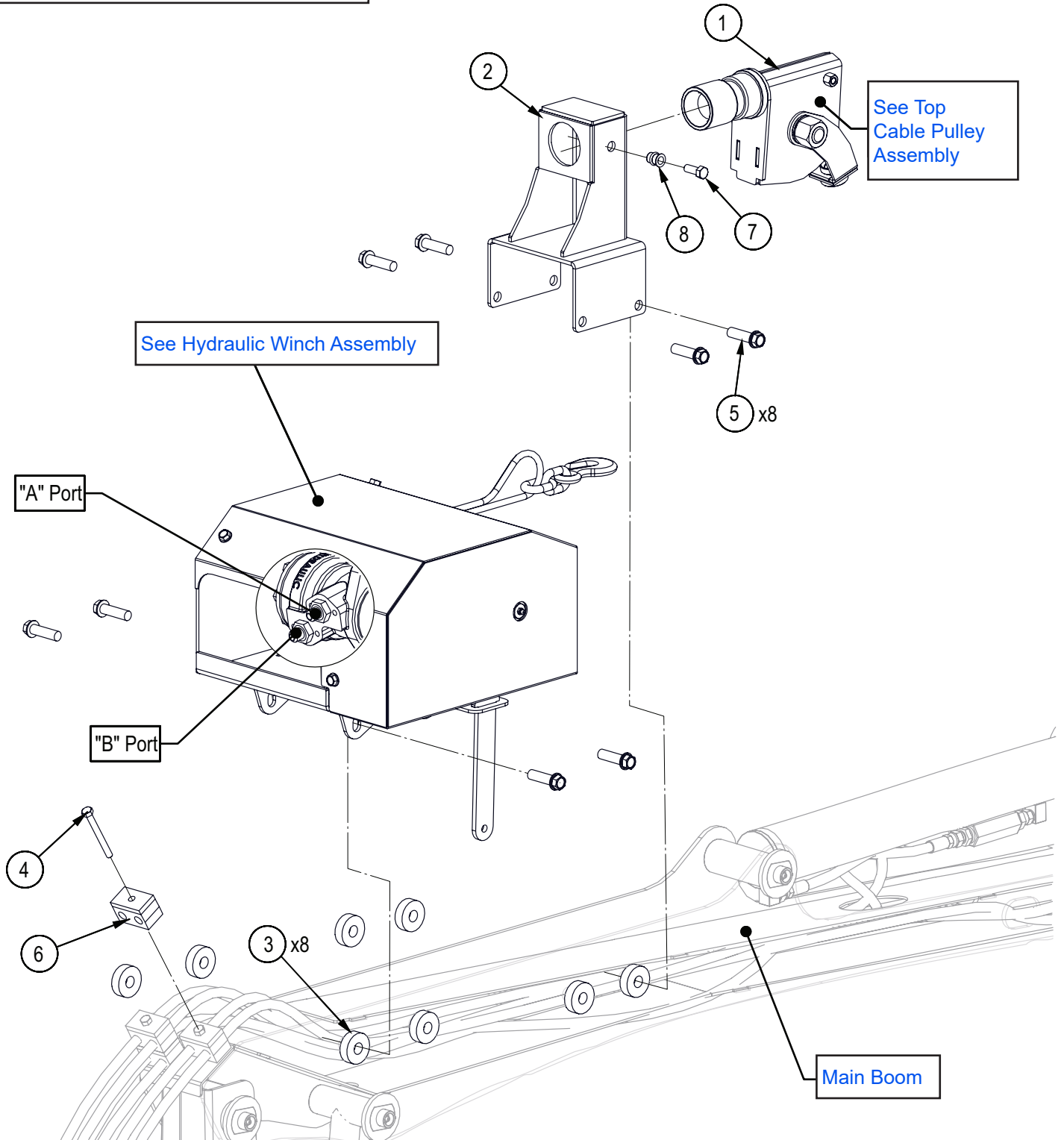
L601 Power Pack – Option



Item No.	Part No.	Description	Qty
1	6081W200	Base, Hyd Power Pack	1
2	6081W301	Tank	1
3	6081L205	Plate, Engine Mount	1
4	Z47135	Honda GX270UTQH6, Rope	1
5	Z46404	Shaft Coupling, L095 x 1"	1
6	Z46405	Spider, L095	1
7	Z46409	Shaft Coupling, L095 x 1/2"	1
8	Z53105	Gear Pump, Series 10 x 0.33CIR	1
9	Z53802	Pump Mount, PM-9	1
10	Z55301	Particulate Filter, FP12	1
11	Z55302	Filter Cap, MP12 x FP12	1
12	Z55402	Vented Plug Dipstick x 5"	1
13	Z46511	Key, 1/8" x 1/8" x 7/8"	1
14	Z46535	Key, 1/4" x 1/4" x 1-3/4"	1
15	Z51191	Hex Plug, MP 08	1
16	Z51334	Elbow 90, MP x FPX 1208	1

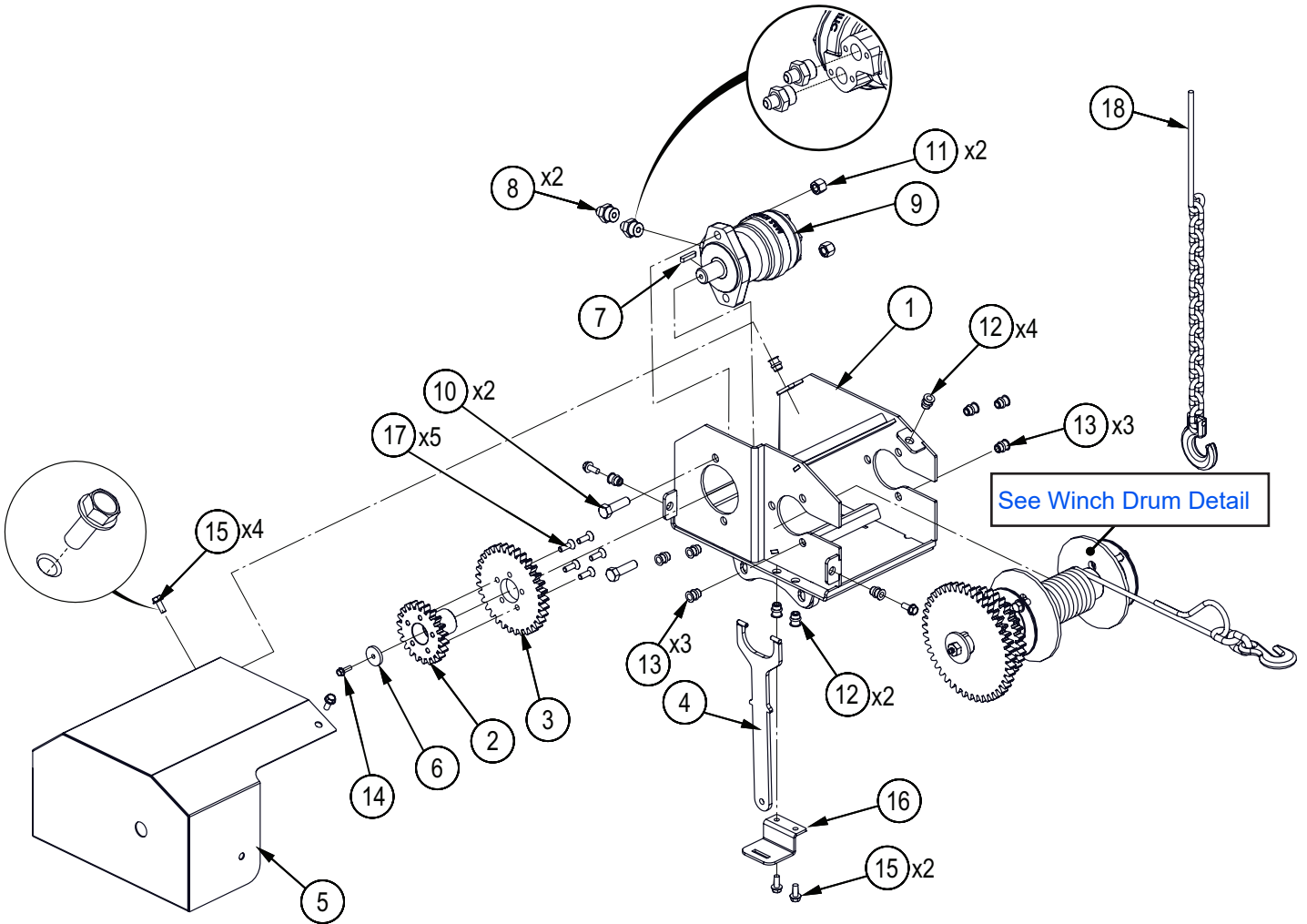
Item No.	Part No.	Description	Qty
17	Z51383	Elbow 90, MORB x FPX 0808	1
18	Z51385	Elbow 90, MORB x FPX 0608	1
19	Z71207	Hex Bolt, 5/16NC x 3/4"	4
20	Z71273	Hex Bolt, 5/16NF x 3/4"	4
21	Z72221	Hex Lock Nut, 5/16NC	8
22	Z72521	Serrated Flange Locknut, 5/16NC	4
23	Z72958	Rivet Nut, 3/8NC x 150	4
24	Z72959	Rivet Nut, 3/8NC x 312	4
25	Z74111	Set Screw, 1/4NC x 1/4"	2
26	Z74121	Set Screw, 5/16NC x 3/8"	2
27	Z76121	Flange Bolt, 5/16NC x 3/4"	4
28	Z76134	Flange Bolt, 3/8NC x 1"	4
29	Z76136	Flange Bolt, 3/8NC x 1-1/2"	4
30	Z79931	Isolator, 1-1/4" Dia x 1-1/4" x 5/16NC	4

Hydraulic Winch Kit – LX115W



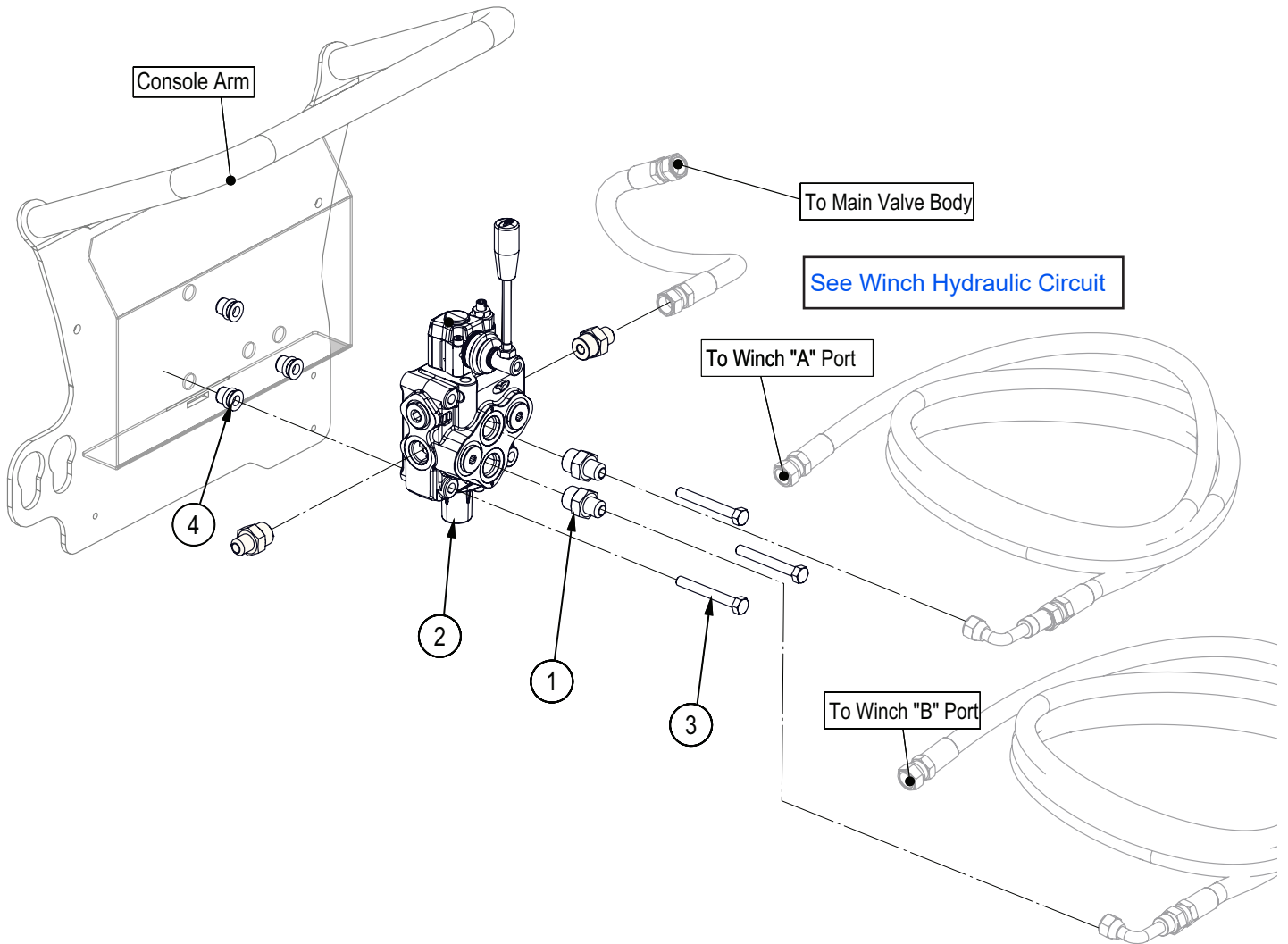
Item No.	Part No.	Description	Qty
1	6083A201	Top Cable Pulley	1
2	6083W200	Fairlead Mount	1
3	6083L211	Washer, Winch Mount	8
4	Z71230	Hex Bolt, 5/16NC x 3"	1
5	Z76155	Flange Bolt, 1/2NC x 1-3/4"	8
6	Z79462	Double Hose Clamp, 1/2" OD	1
7	Z71310	Hex Bolt, 3/8NC x 1"	1
8	Z72959	Rivet Nut, 3/8NC x 312	1

Hydraulic Winch Assembly – LX115W



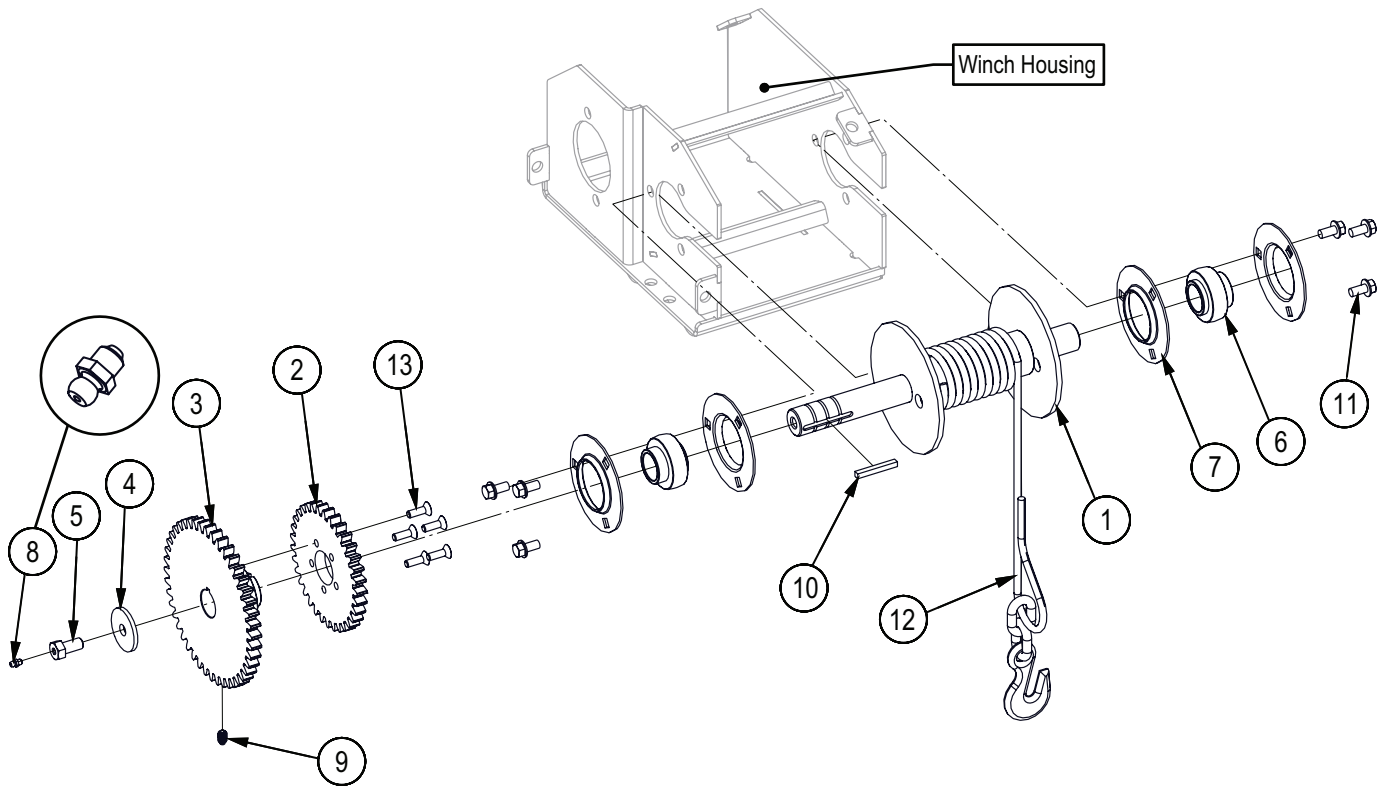
Item No.	Part No.	Description	Qty
1	6083W215	Housing, Winch	1
2	6083M255	Gear, Low Drive	1
3	6083M256	Gear, High	1
4	6083W207	Clutch Lever	1
5	6083W203	Shield	1
6	6083L293	Washer, Motor Shaft	1
7	Z46594	Blind Chipper Key, 1/4" x 1/4" x 1-1/4"	1
8	Z51645	Straight, MJIC x MORB 0610	2
9	Z54109	Hydraulic Motor, 100CCR	1
10	Z71517	Hex Bolt, 1/2NC x 1-3/4"	2
11	Z72251	Hex Lock Nut, 1/2NC	2
12	Z72957	Rivet Nut, 5/16NC x 312	6
13	Z72959	Rivet Nut, 3/8NC x 312	6
14	Z76111	Flange Bolt, 1/4NC x 3/4"	1
15	Z76121	Flange Bolt, 5/16NC x 3/4"	6
16	6083L215	Lever Bracket	1
17	Z75222	FHCS, 5/16NF x 1"	5
18	Z92318	Choker Chain, 5/16" x 90"	1

Hydraulic Winch Control – LX115W



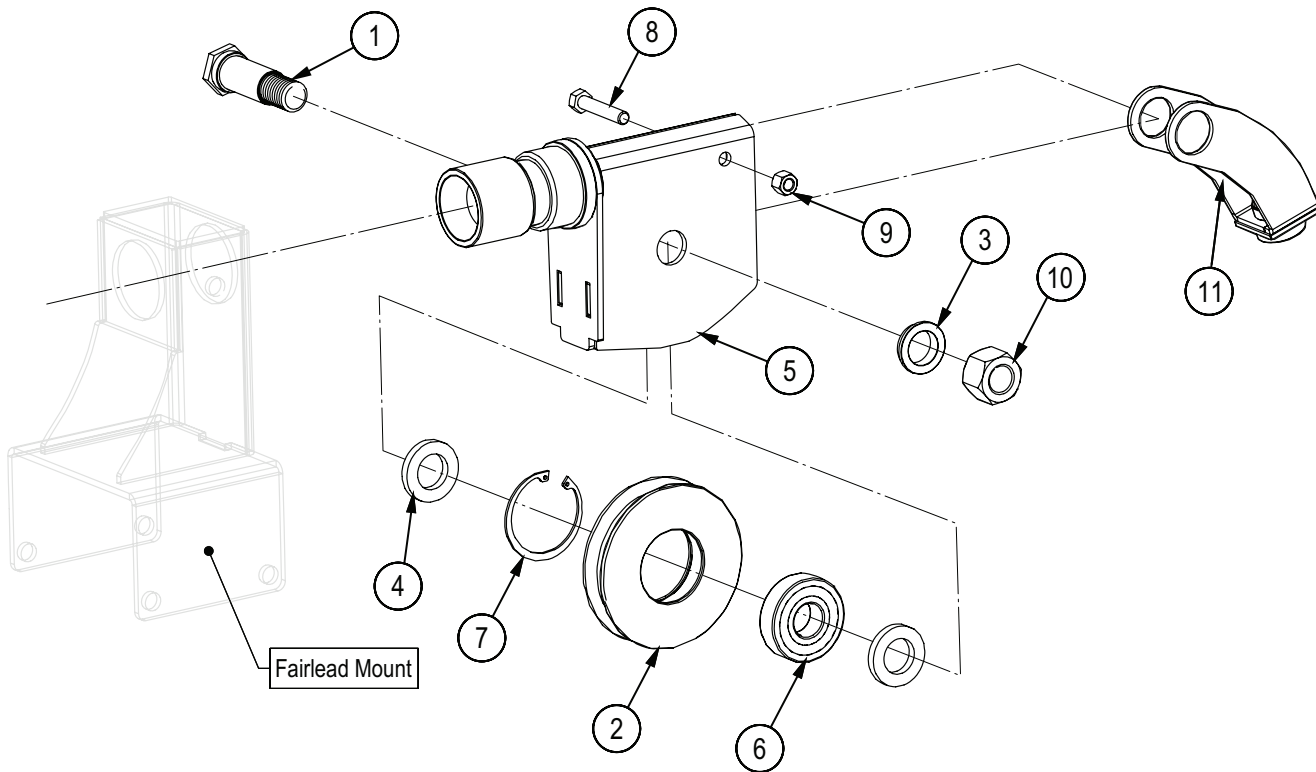
Item No.	Part No.	Description	Qty
1	Z51644	Straight, MJIC x MORB 0608	4
2	Z56216	Single Spool Valve, VC Tandem SC x 12GPM	1
3	Z71230	Hex Bolt, 5/16NC x 3"	3
4	Z72956	Rivet Nut, 5/16NC x 150	3

Winch Drum Detail – LX115W



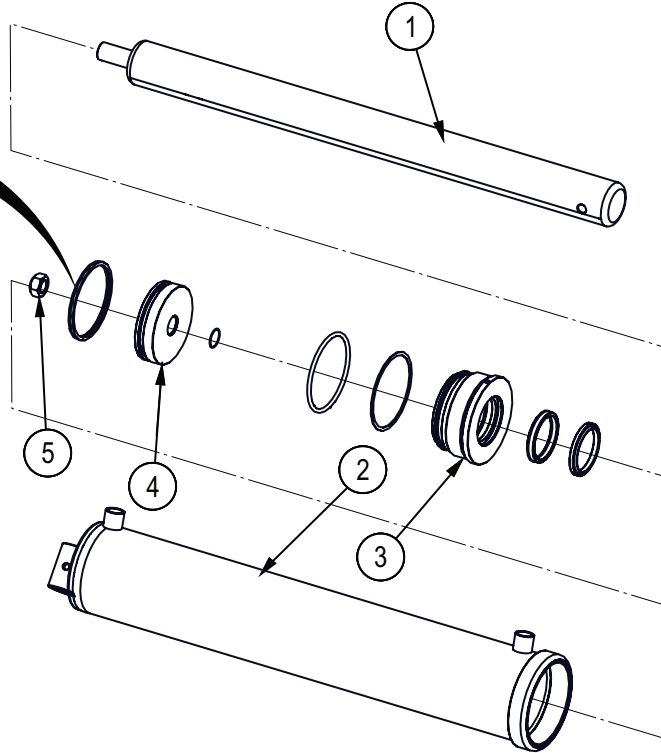
Item No.	Part No.	Description	Qty
1	6083W201	Drum, Main Cable	1
2	6083M256	Gear, High	1
3	6083M257	Gear, Low Driven	1
4	6083L207	Washer, Capture	1
5	6083M252	1/2-13 x 1 Bolt Modified	1
6	Z25207	Bearing Insert, UC206-20	2
7	Z25301	3-Bolt Flange Bearing, PF206 x Flange Only	4
8	Z29202	Grease Fitting, 1/4NF	1
9	Z34302	Spring Plunger, 3/8NC x 5/8" x 21 lbs	1
10	Z46531	Key, 1/4" x 1/4" x 2"	1
11	Z76133	Flange Bolt, 3/8NC x 3/4"	6
12	Z92118	Synthetic Winch Cable, 5/16" x 80ft with Grab Hook	1
13	Z75222	FHCS, 5/16NF x 1"	5

Top Cable Detail – LX115W



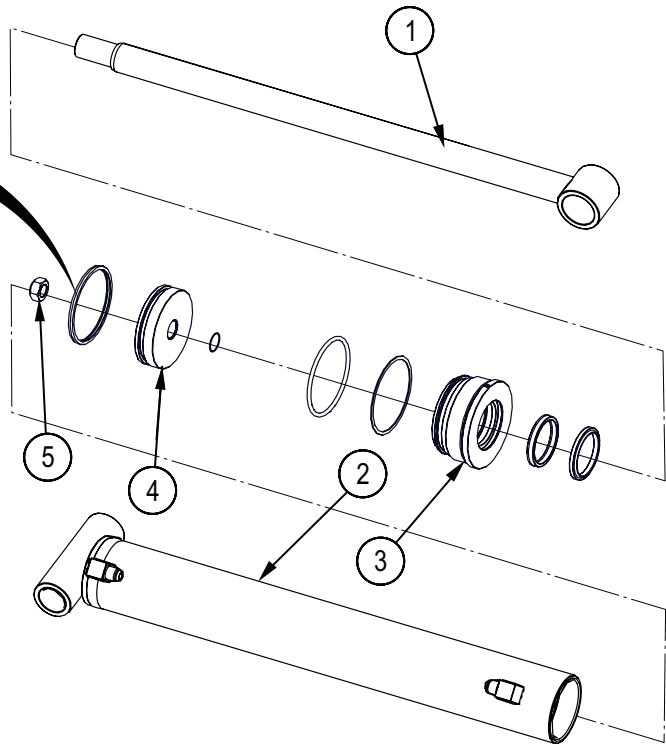
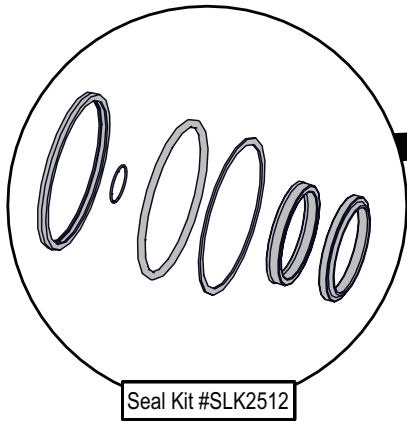
Item No.	Part No.	Description	Qty
1	5011M814	Top Pulley Pin	1
2	5011M816	Cable Pulley	1
3	5012M222	Cable Guide Swing Bushing	1
4	6083L247	Washer, Pulley Spacer - Narrow	2
5	6083W211	Frame, Top Pulley	1
6	Z21201	Ball Bearing 6305 2RS	1
7	Z46101	Internal Retaining Ring 2-7/16	1
8	Z71320	Hex Bolt, 3/8NC x 2	1
9	Z72231	Hex Lock Nut, 3/8NC	1
10	Z72281	Hex Lock Nut, 7/8-9NC	1
11	6083W208	Cable Guide	1

Main Boom Cylinder Detail



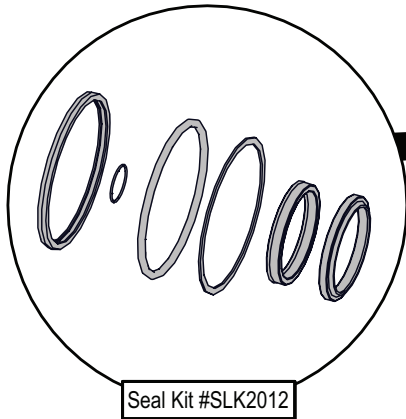
Item No.	Part No.	Description	Qty
1	6032C7523	Rod, 1-1/2 x 1	1
2	6032C7524	Barrel, 3"	1
3	G300-150S	Gland, 3" x 1-1/2"	1
4	P100-300SP	Piston, 3" Bore	1
5	Z72292G8	Hex Lock Nut, 1NF GR8	1

Dipper Boom Cylinder Detail



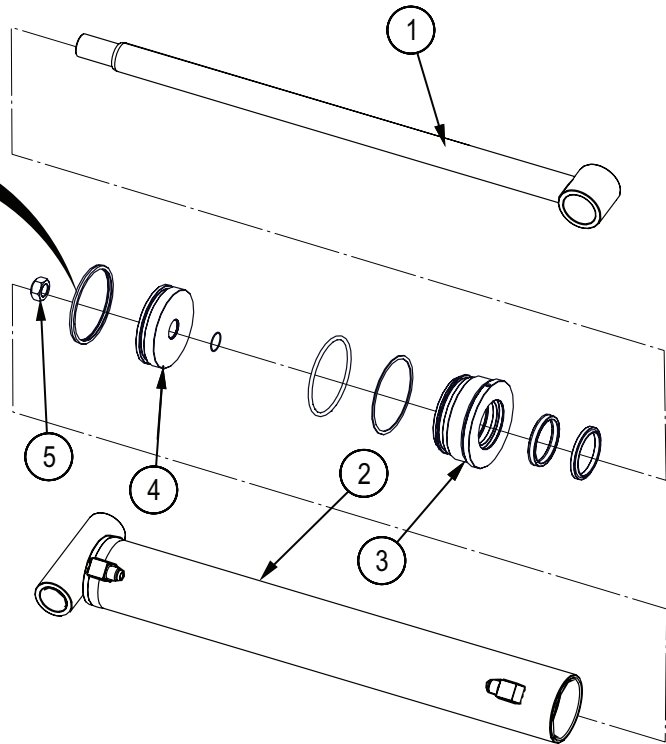
Item No.	Part No.	Description	Qty
1	6032C7503	Rod, 1-1/4 x 1	1
2	6032C7504	Barrel, 2-1/2"	1
3	G250-125S	Gland, 2-1/2" x 1-1/4"	1
4	P100-250SP	Piston, 2-1/2" Bore	1
5	Z72272G8	Hex Lock Nut, 3/4NF GR8	1

Stabilizer Cylinder Detail

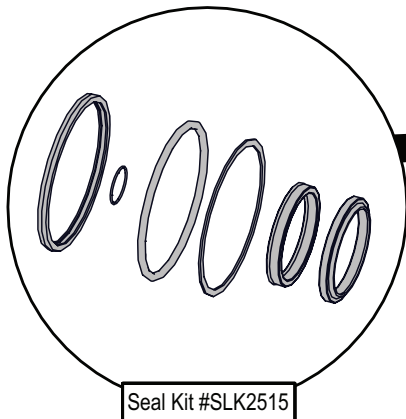


Seal Kit #SLK2012

Item No.	Part No.	Description	Qty
1	6032C7543	Rod, 1-1/4 x 3/4	1
2	6032C7544	Barrel, 2-1/4"	1
3	G225-125S	Gland, 2-1/4" x 1-1/4"	1
4	P750-225SP	Piston, 2-1/4" Bore	1
5	Z72272G8	Hex Lock Nut, 3/4NF GR8	1

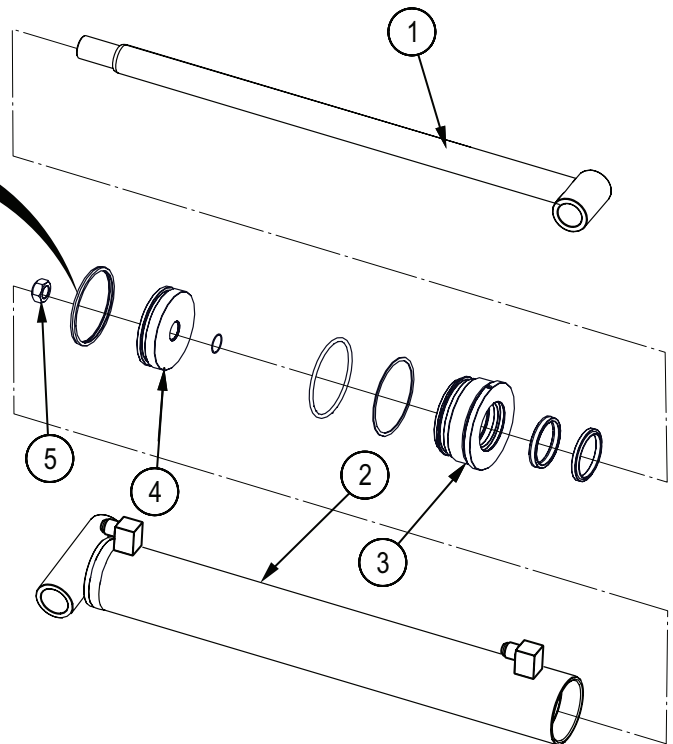



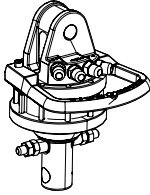
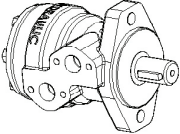
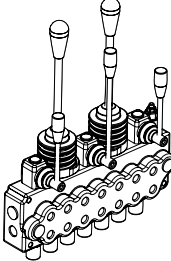
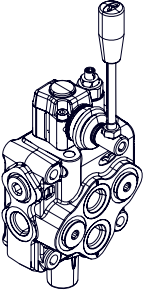
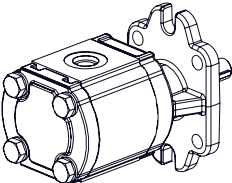
Grapple Cylinder Detail



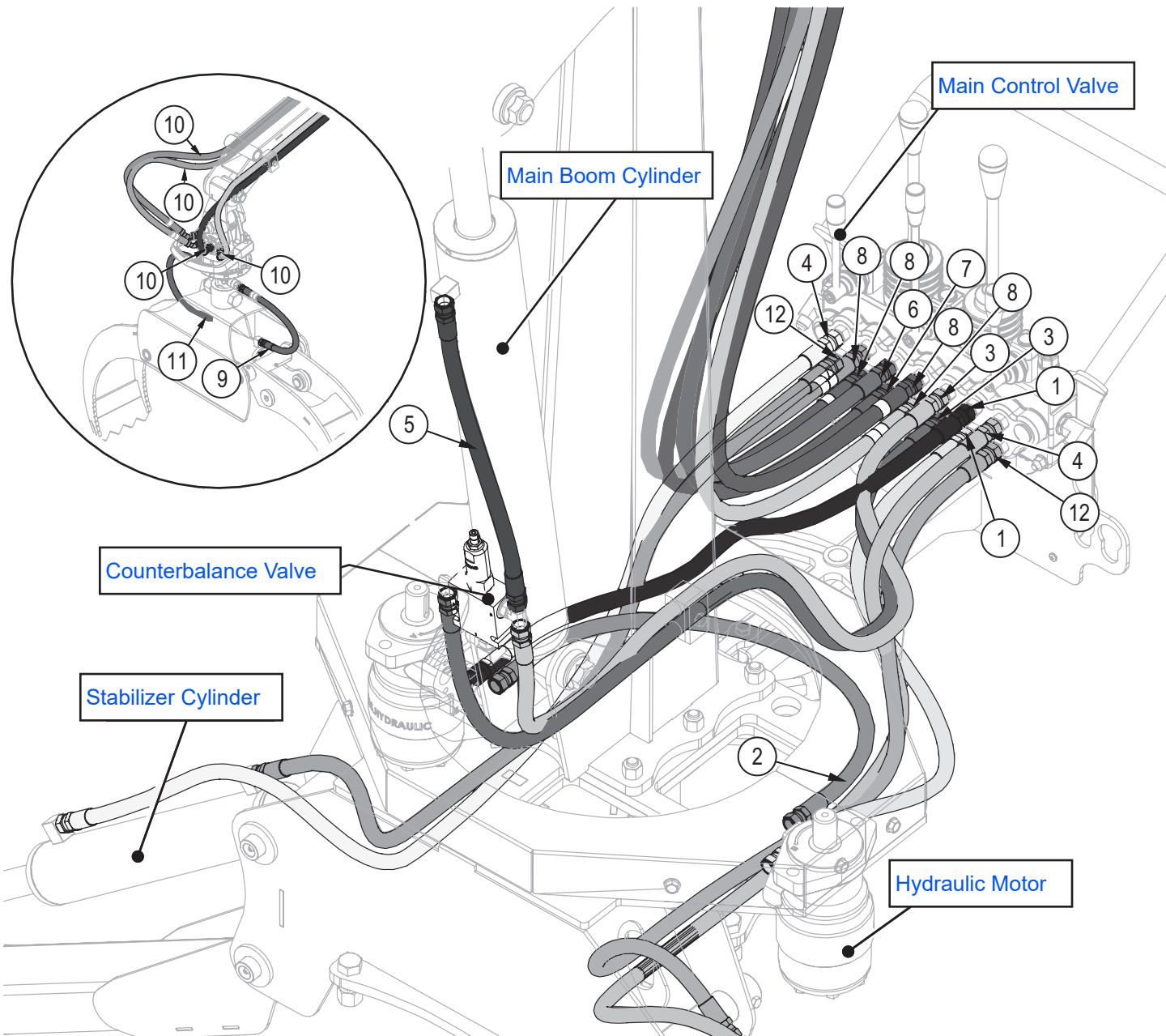
Seal Kit #SLK2515

Item No.	Part No.	Description	Qty
1	6012C2053	Rod, 1-1/2 x 1	1
2	6012C2054	Barrel, 2-1/2"	1
3	G250-150S	Gland, 2-1/2" x 1-1/2"	1
4	P100-250SP	Piston, 2-1/2" Bore	1
5	Z72272G8	Hex Lock Nut, 3/4NF GR8	1



Seal Kits	
<p data-bbox="126 149 548 212">Seal Kit: Z54104 315 Series Hydraulic Motor (Main boom)</p>  <p data-bbox="386 300 771 363">Seal Kit: SK MLHP-U/D,E</p>	<p data-bbox="873 149 1464 180">Seal Kit: Z54107 CR300 Hydraulic Rotator</p>  <p data-bbox="1117 300 1502 363">Seal Kit: RK CR300</p>
<p data-bbox="102 478 548 548">Seal Kit: Z54108 Hydraulic Motor (Winch) MLHP 50</p>  <p data-bbox="386 646 771 709">Seal Kit: SK MLHP-U/D,E</p>	<p data-bbox="862 478 1464 510">Seal Kit: Z54206 Monoblock 7-Section Valve</p>  <p data-bbox="1133 646 1518 709">Seal Kit: SK SD5/7</p>
<p data-bbox="126 842 631 873">Seal Kit: Z56216 Single Spool Valve</p>  <p data-bbox="386 1014 776 1077">Seal Kit: SK SD5/1</p>	<p data-bbox="849 842 1370 873">Seal Kit: Z53105 Gear Pump, Series 10</p>  <p data-bbox="1125 1014 1515 1077">Seal Kit: 123125</p>

Hydraulic Circuit



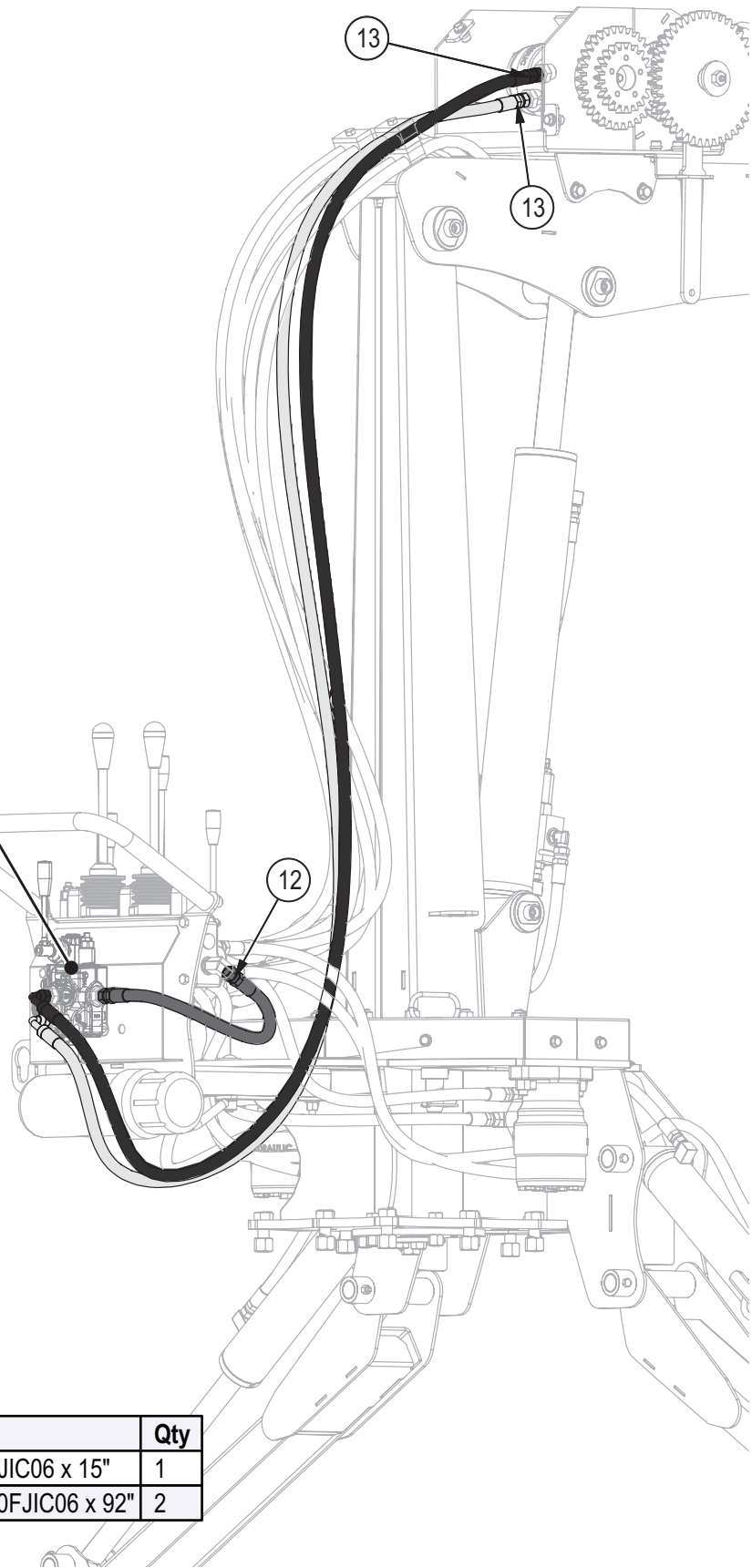
Item No.	Part No.	Description	Qty
1	Z52206	3/8" Hose, FJIC06 x FJIC06 x 30"	2
2	Z52267	3/8" Hose, FJIC06 x FJIC06 x 28"	1
3	Z52265	3/8" Hose, FJIC06 x FJIC06 x 44"	2
4	6032F001	3/8" Hose, FJIC06 x FJIC06 x 58" x SC	2
5	Z52203	3/8" Hose, FJIC06 x FJIC06 x 15"	1
6	Z52214	3/8" Hose, FJIC06 x FJIC06 x 128"	1
7	Z52263	3/8" Hose, FJIC06 x FJIC06 x 135"	1
8	Z52262	3/8" Hose, FJIC06 x MP04 x 172"	4
9	Z52203	3/8" Hose, FJIC06 x FJIC06 x 15"	1
10	Z52269	3/8" Hose, 45FJIC08 x MP04 x 52"	4
11	Z52203	3/8" Hose, FJIC06 x FJIC06 x 15"	1
12	6032F002	3/8" Hose, FJIC06 x FJIC06 x 44" x SC	2

ECN0420

ECN0420

Hydraulic Circuit – Winch

See Hydraulic Winch Control

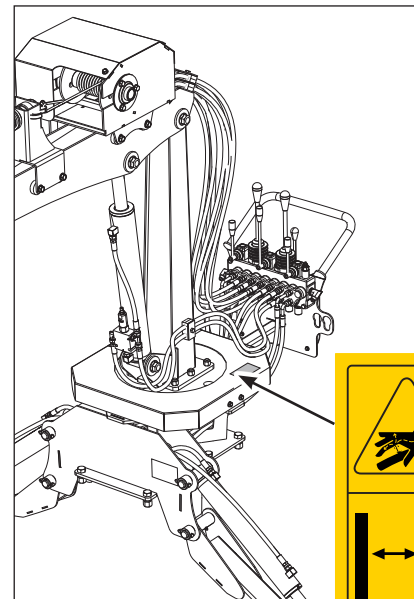
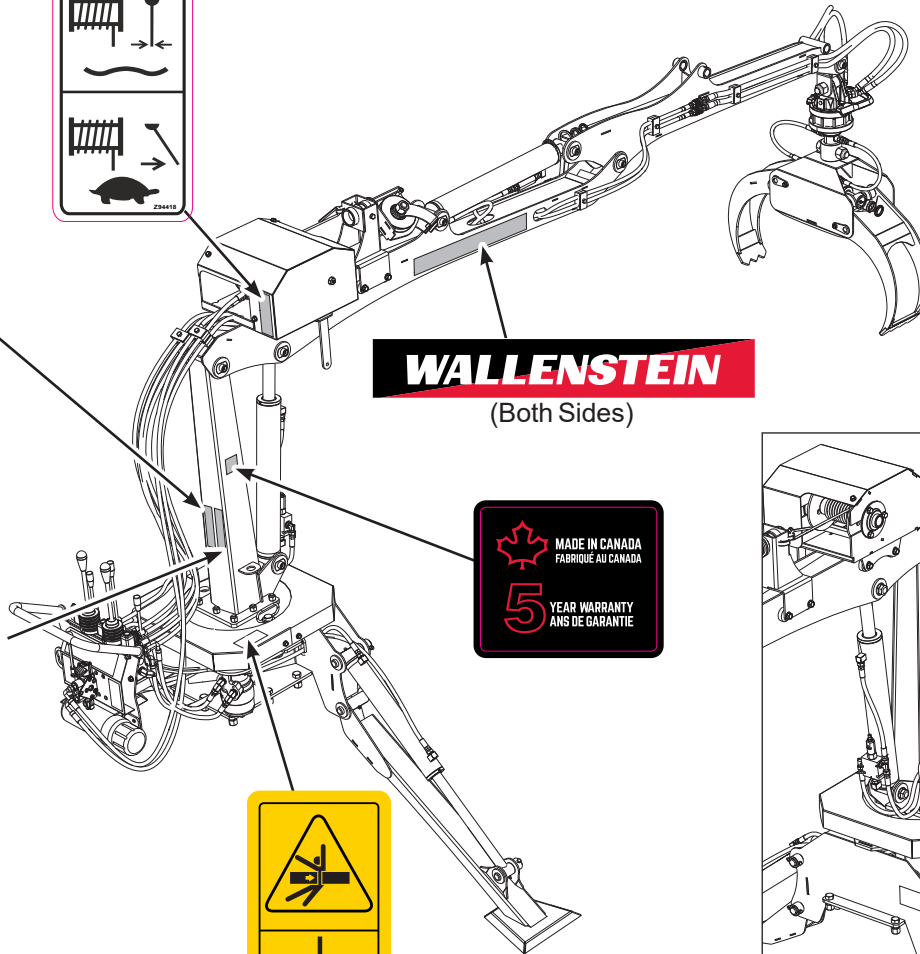
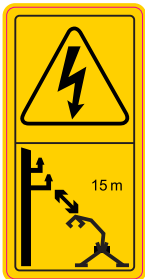
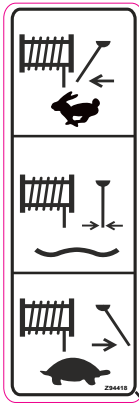
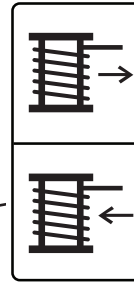
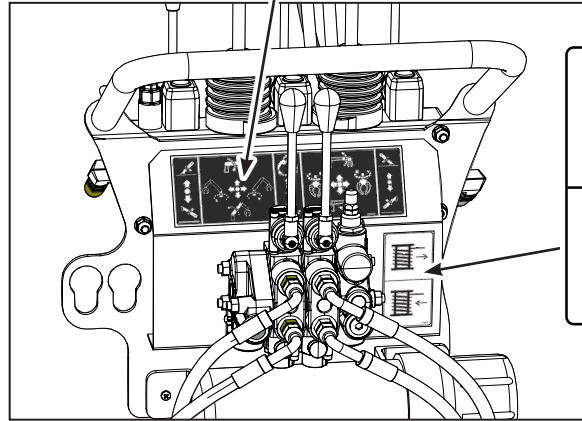
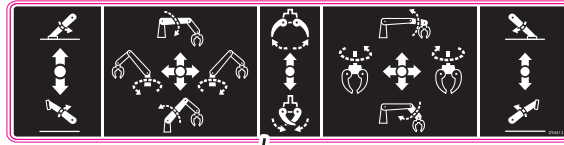


Item No.	Part No.	Description	Qty
12	Z52203	3/8" Hose, FJIC06 x FJIC06 x 15"	1
13	Z52222	3/8" Hose, FJIC06 x 90FJIC06 x 92"	2

Decal Layout

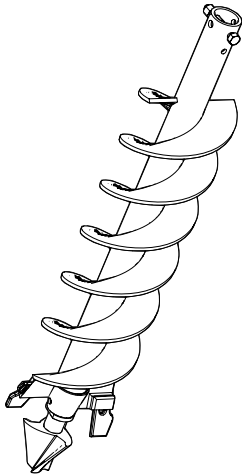
IMPORTANT! If parts are replaced that have safety signs on them, new signs must be applied. Safety signs must always be replaced if they become damaged, are removed, or become illegible.

Safety signs are included in the product decal kit available from your authorized dealer. Decals are not available separately.



Accessories

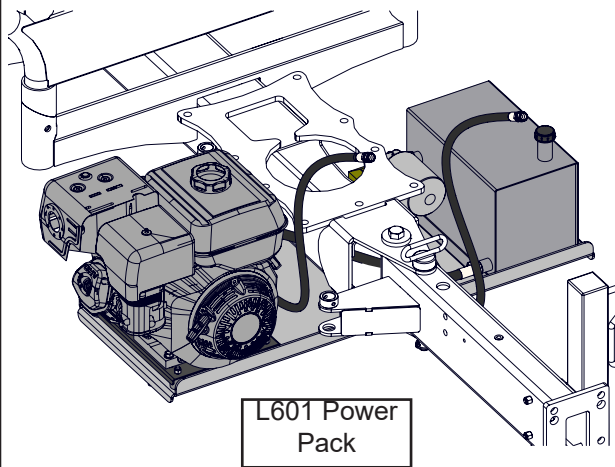
Call your dealer for pricing and availability



LA610 6" Diameter Auger Kit LA910 9" Diameter Auger Kit

For all LX models.

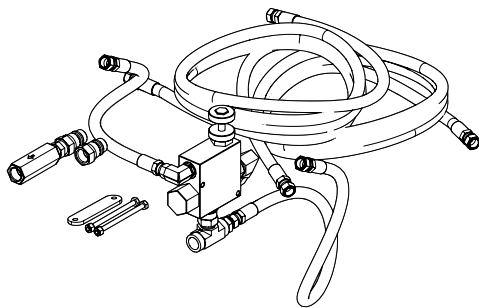
Both hydraulic augers are capable of a hole depth of a 42" (107 cm)



L601 Power Pack for LX115

Independently power the LX grapple: the **L601 for LX115** features a 9 hp Honda engine.

Power pack includes motor/hydraulic pump assembly and 4.6 US gal (17.5 L) reservoir.

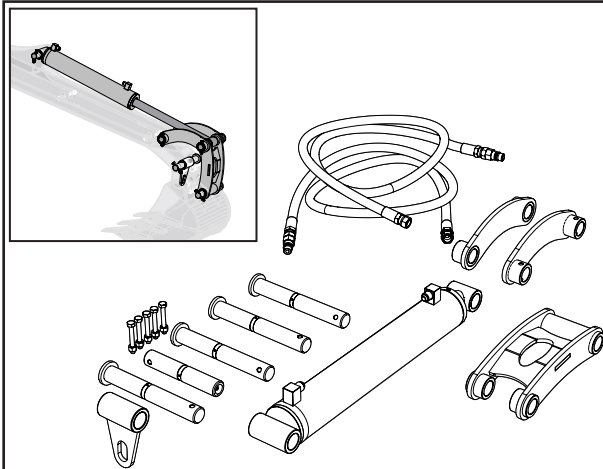


L101 Tractor Hydraulic Kit

For all LX models

Make use of the tractor hydraulics to power the log loader.

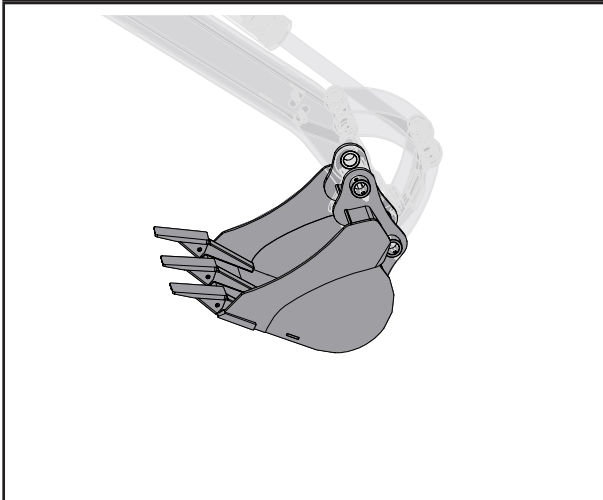
Includes everything needed – flow control valve, hoses, and hardware.



BA201 Back Hoe Kit

For all LX models (bucket not included, see below)

Trenching made easier with this great accessory, includes: hydraulic cylinder, hoses, bucket linkage, pins & hardware)



Bucket Options for BA201

- BK2690** – 9", 3-Tooth Bucket
- BK2612** – 12", 3-Tooth Bucket
- BK2615** – 15", 4-Tooth Bucket
- BK2618** – 18", 4-Tooth Bucket


Common Bolt Torque Values

Checking Bolt Torque

The tables shown give correct torque values for various bolts and capscrews. Tighten all bolts to the torque values specified in the table, unless indicated otherwise. Check tightness of bolts periodically.

IMPORTANT! If replacing hardware, use fasteners of the same grade.

IMPORTANT! Torque figures indicated in the table are for non-greased or non-oiled threads. Do not grease or oil threads unless indicated otherwise. When using a thread locker, increase torque values by 5%.

 **NOTE:** Bolt grades are identified by their head markings.

Imperial Bolt Torque Specifications

Bolt Diameter	Torque Value					
	SAE Gr. 2		SAE Gr. 5		SAE Gr. 8	
	lbf•ft	N•m	lbf•ft	N•m	lbf•ft	N•m
1/4"	6	8	9	12	12	17
5/16"	10	13	19	25	27	36
3/8"	20	27	33	45	45	63
7/16"	30	41	53	72	75	100
1/2"	45	61	80	110	115	155
9/16"	60	95	115	155	165	220
5/8"	95	128	160	215	220	305
3/4"	165	225	290	390	400	540
7/8"	170	230	420	570	650	880
1"	225	345	630	850	970	1320



SAE Gr. 2



SAE Gr. 5



SAE Gr. 8

Metric Bolt Torque Specifications

Bolt Diameter	Torque Value			
	Gr. 8.8		Gr. 10.9	
	lbf•ft	N•m	lbf•ft	N•m
M3	0.4	0.5	1.3	1.8
M4	2.2	3	3.3	4.5
M6	7	10	11	15
M8	18	25	26	35
M10	37	50	52	70
M12	66	90	92	125
M14	83	112	116	158
M16	166	225	229	310
M20	321	435	450	610
M30	1,103	1 495	1,550	2 100



8.8



10.9

Hydraulic Fitting Torque Values

Tightening Flare Type Tube Fittings

1. Check flare and flare seat for defects that might cause leakage.
2. Align tube with fitting before tightening.
3. Hand-tighten swivel nut until snug.
4. To prevent twisting the tube, use two wrenches. Place one wrench on the connector body and tighten the swivel nut with the second. Torque to values shown.

If a torque wrench is not available, use the FFFT (Flats From Finger Tight) method.

Hydraulic Fitting Torque					
Tube Size OD	Hex Size Across Flats	Torque value		Flats From Finger Tight	
		lbf•ft	N•m	Flats	Turns
3/16	7/16	6	8	2	1/6
1/4	9/16	11–12	15–17	2	1/6
5/16	5/8	14–16	19–22	2	1/6
3/8	11/16	20–22	27–30	1-1/4	1/6
1/2	7/8	44–48	59–65	1	1/6
5/8	1	50–58	68–79	1	1/6
3/4	1-1/4	79–88	107–119	1	1/8
1	1-5/8	117–125	158–170	1	1/8

Values shown are for non-lubricated connections.