



# MX50P Manure Spreader Parts Manual

Serial:  
Up to 750P75



## Foreword

EMB Mfg. has prepared this parts manual to assist customers in ordering quality OEM replacement parts.

Proper and regular service and replacing old, worn or broken parts with the correct Wallenstein parts are essential to prolonging the life of your Wallenstein product. Please refer to this manual before ordering any replacement parts.

All information contained in this parts manual is based on the latest product specification available at the time of printing this manual. If your product differs from the specifications contained within this manual contact EMB Mfg. for information.

EMB reserves the right to alter specifications on their products at any time.

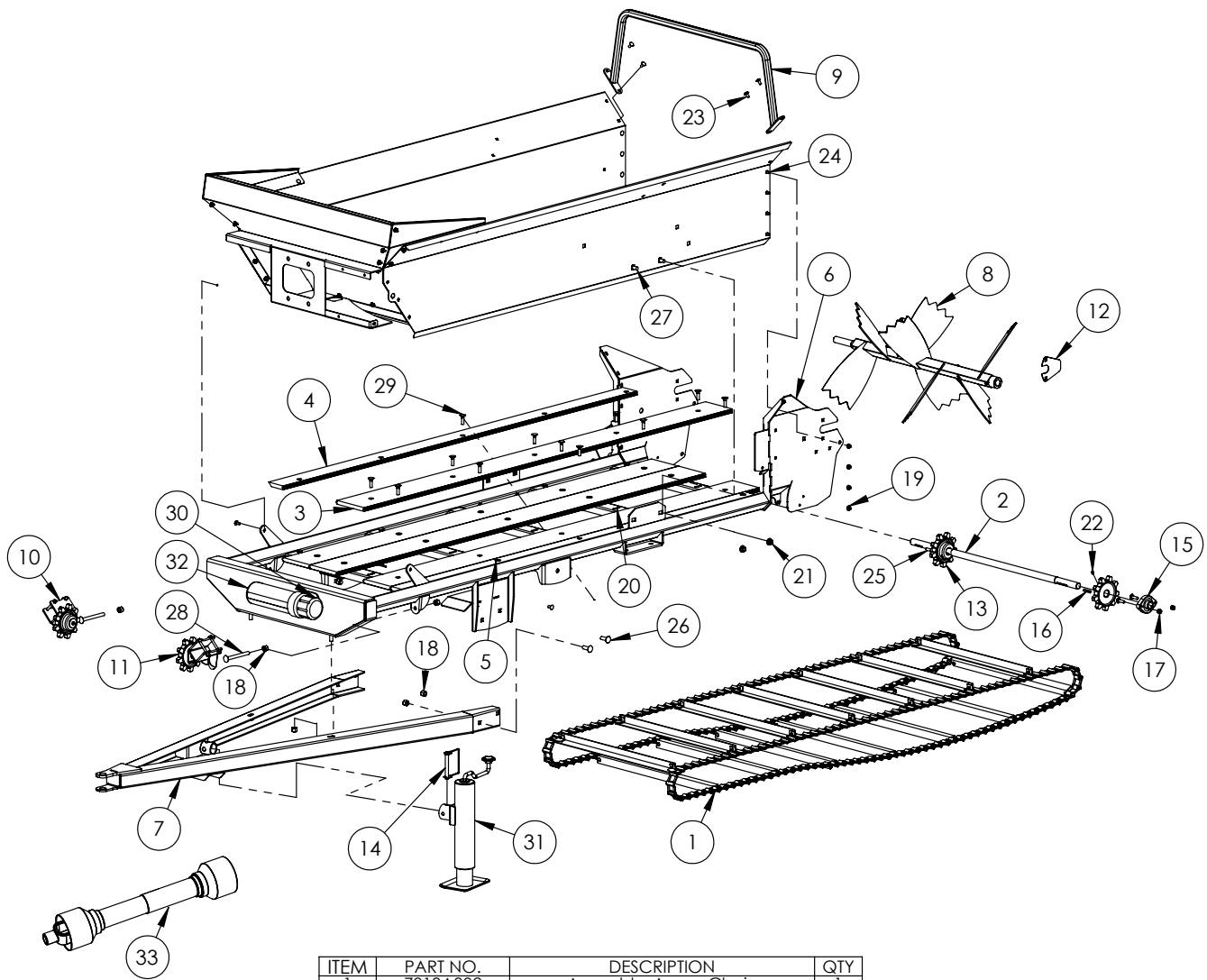
Reproduction of this parts manual of any kind is prohibited without prior written permission from EMB Mfg.

**Note:** Products with factory installed light kits will have a VIN number included. The last six numbers of this VIN number are the splitters serial number

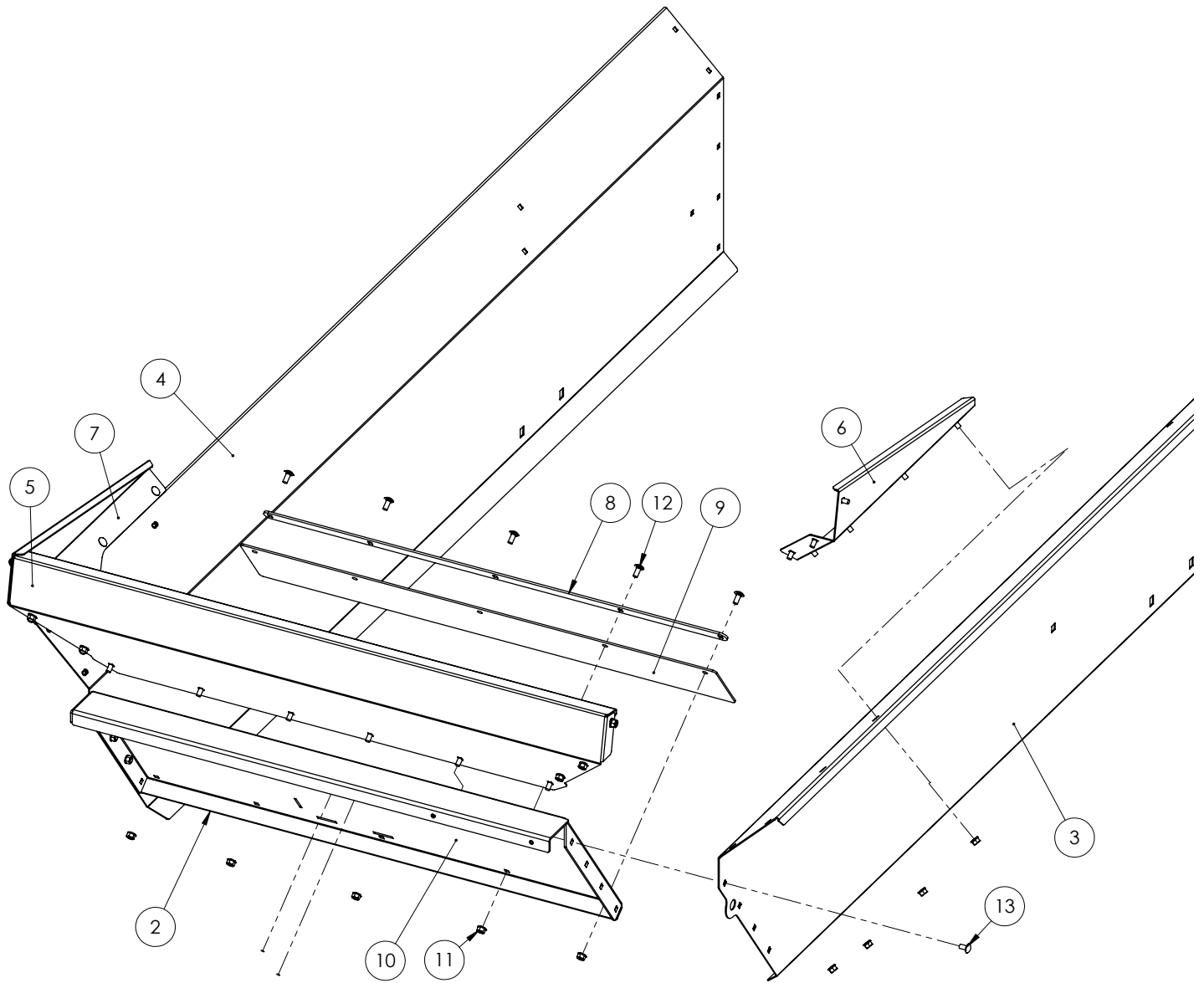
Example: 2E9US1112BSXXXXXX

# Table of Contents

|                              |    |
|------------------------------|----|
| Main Parts                   | 4  |
| Box Frame                    | 5  |
| Apron Chain & Front Sprocket | 6  |
| Apron Chain Ratchet          | 7  |
| Driveline                    | 8  |
| PTO Drive                    | 9  |
| Axle                         | 11 |
| Decals                       | 12 |

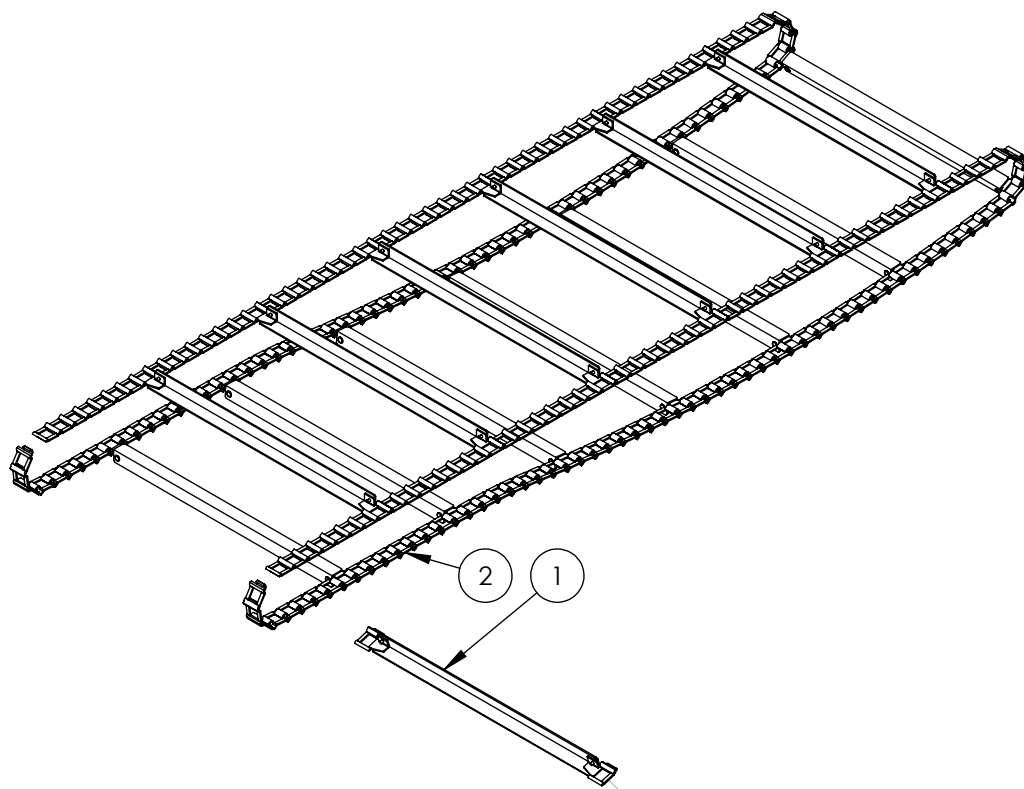


| ITEM | PART NO. | DESCRIPTION                                  | QTY |
|------|----------|--|-----|
| 1    | 7013A302 | Assembly, Apron Chain                        | 1   |
| 2    | 7013M303 | Shaft, Rear Apron Drive                      | 1   |
| 3    | 7013S305 | Floor Board, Full                            | 4   |
| 4    | 7013S306 | Floor Board, Right End                       | 1   |
| 5    | 7013S307 | Floor Board, Left End                        | 1   |
| 6    | 7013W301 | MX80 Main Frame                              | 1   |
| 7    | 7013W302 | MX80 Hitch Frame                             | 1   |
| 8    | 7013W316 | Beater Bar, PTO Drive                        | 1   |
| 9    | 7013W317 | Crossbar                                     | 1   |
| 10   | 7015A505 | Assy, Front Apron Sprocket RH                | 1   |
| 11   | 7015A506 | Assy, Front Apron Sprocket LH                | 1   |
| 12   | 7015L560 | Plate, Beater Bar Capture                    | 2   |
| 13   | 7015M501 | Sprocket, Apron Chain Rear                   | 2   |
| 14   | Z12441   | Snapper Pin 1/2 x 4-1/2                      | 1   |
| 15   | Z25102   | FD 2-Bolt Flange Bearing 1"                  | 2   |
| 16   | Z46532   | Key 1/4 x 1/4 x 1-1/2                        | 2   |
| 17   | Z72231   | Hex Lock Nut 3/8NC                           | 4   |
| 18   | Z72251   | Hex Lock Nut 1/2NC                           | 10  |
| 19   | Z72521   | Flange Nut 5/16NC                            | 14  |
| 20   | Z72531   | Flange Nut 3/8NC                             | 30  |
| 21   | Z72551   | Flange Nut 1/2NC                             | 4   |
| 22   | Z74121   | Set Screw 5/16NC                             | 4   |
| 23   | Z76221   | Carriage Bolt 5/16NC x 3/4                   | 6   |
| 24   | Z76222   | Carriage Bolt 5/16NC x 5/8                   | 8   |
| 25   | Z76237   | Carriage Bolt 3/8NC x 1-1/4 Extra Short Neck | 4   |
| 26   | Z76251   | Carriage Bolt 1/2NC x 1-1/2                  | 6   |
| 27   | Z76252   | Carriage Bolt 1/2NC x 1                      | 4   |
| 28   | Z76253   | Carriage Bolt 1/2NC x 5                      | 2   |
| 29   | Z76631   | Plow Bolt 3/8NC x 1-1/2                      | 30  |
| 30   | Z76712   | Self-tapping Screw #10                       | 4   |
| 31   | Z91513   | Top-Wind 10" Swivel Jack                     | 1   |
| 32   | Z96502   | Manual Tube 3-1/2                            | 1   |
| 33   | Z44203   | PTO Shaft                                    | 1   |

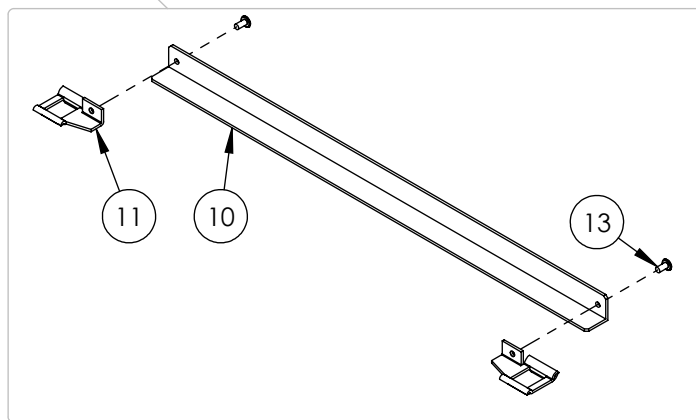
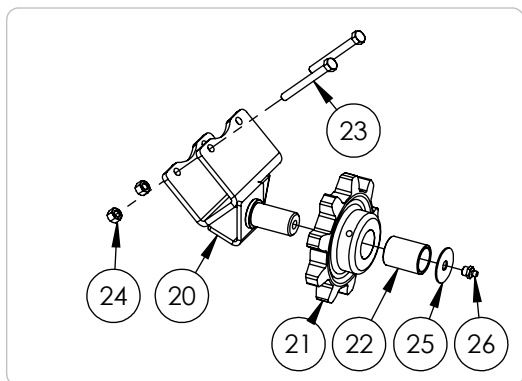


**MX50 BOX PARTS BREAKDOWN**

| ITEM | PART NO. | DESCRIPTION                   | QTY |
|------|----------|-------------------------------|-----|
| 1    | 7014L453 | Engaging Arm Mounting Bracket | 1   |
| 2    | 7013L307 | Front Panel, Ground Drive     | 1   |
| 3    | 7013L305 | Side Panel LH                 | 1   |
| 4    | 7013L306 | Side Panel RH                 | 1   |
| 5    | 7013L340 | Splash Guard, Top             | 1   |
| 6    | 7015L542 | Splash Guard, LH              | 1   |
| 7    | 7015L543 | Splash Guard, RH              | 1   |
| 8    | 7013L361 | Clamp, Floor Seal             | 1   |
| 9    | 7013S308 | Floor Seal                    | 1   |
| 10   | 7013W303 | Box Front, PTO                | 1   |
| 11   | Z72521   | Flange Nut 5/16NC             | 31  |
| 12   | Z76221   | Carriage Bolt 5/16NC x 3/4    | 7   |
| 13   | Z76222   | Carriage Bolt 5/16NC x 5/8    | 24  |

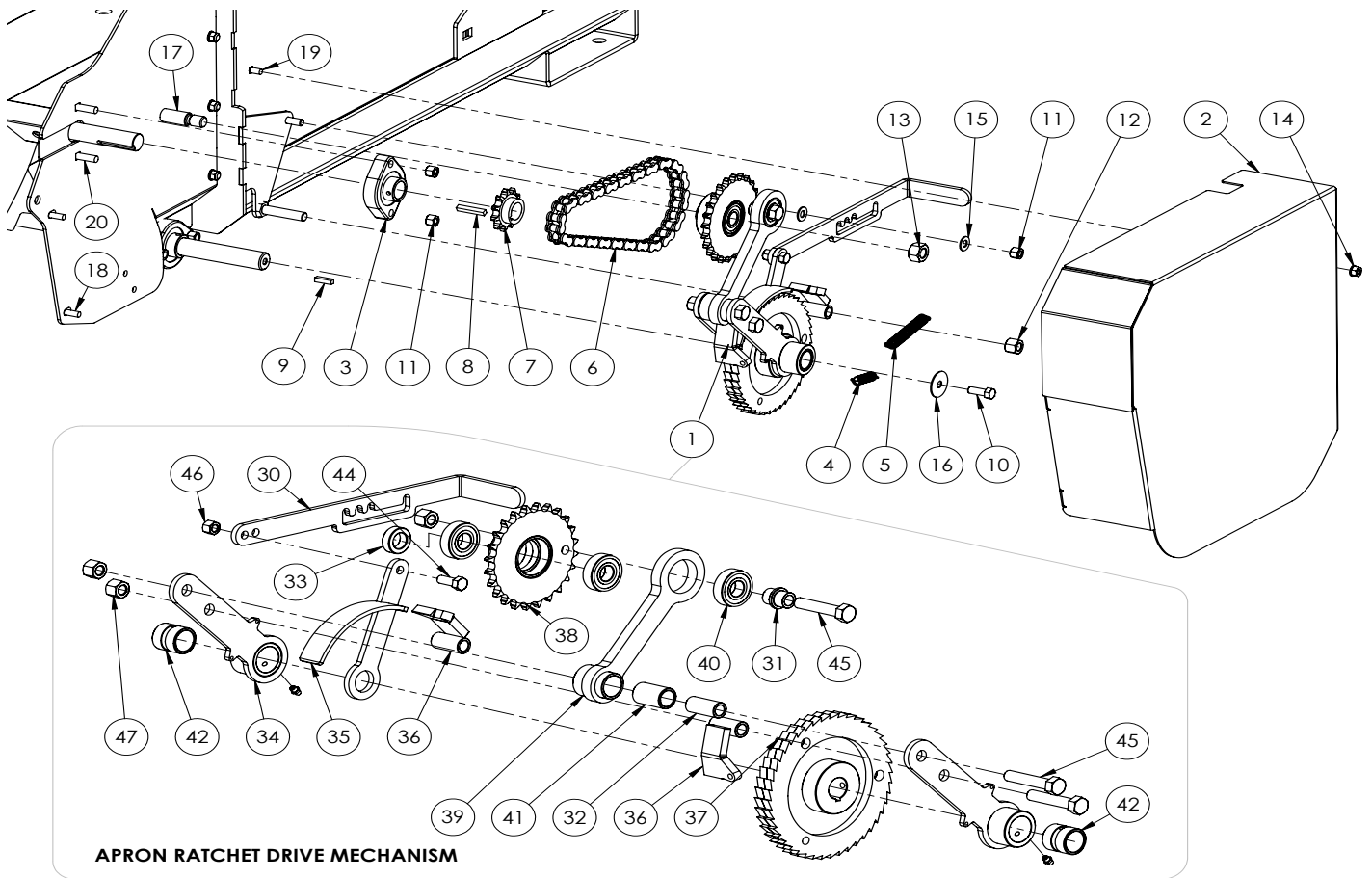


**APRON SPROCKET ASSEMBLY (RH)**



**MX50 APRON CHAIN AND SPROCKET**

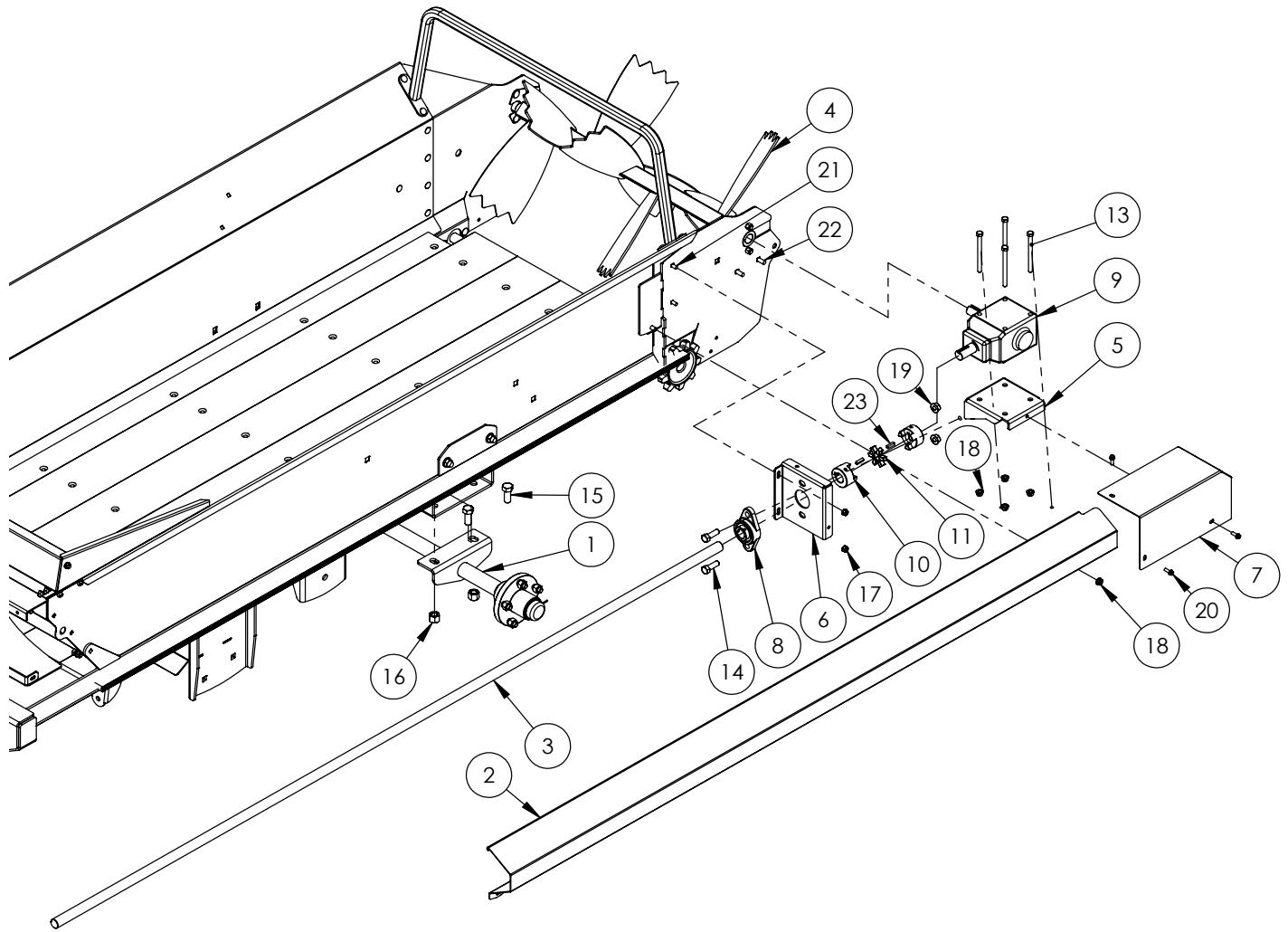
| ITEM | PART NO. | DESCRIPTION                      | QTY |
|------|----------|----------------------------------|-----|
| 1    | 7013A303 | Apron Flight Assembly            | 14  |
| 2    | Z42305   | Apron Chain #62 x 113 links      | 2   |
| ITEM | PART NO. | DESCRIPTION                      | QTY |
| 10   | 7013S302 | Apron Flight                     | 1   |
| 11   | Z42302   | Apron Chain #62 End RH           | 1   |
| 12   | Z42303   | Apron Chain #62 End LH           | 1   |
| 13   | Z79301   | Rivet 1/4 x 1/2 Flat Head        | 2   |
| ITEM | PART NO. | DESCRIPTION                      | QTY |
| 20   | 7015W507 | Bracket, Front Sprocket RH       | 1   |
| 21   | 7015M519 | Sprocket, Apron Chain Front      | 1   |
| 22   | Z26301   | Bushing, 1 ID x 1-1/4 OD x 1-5/8 | 1   |
| 23   | Z71230   | Hex Bolt 5/16NC x 3              | 2   |
| 24   | Z72221   | Hex Lock Nut 5/16NC              | 2   |
| 25   | Z73232   | Wide Washer 3/8 Thin             | 1   |
| 26   | Z29201   | Grease Fitting, 1/8NPT           | 1   |



APRON RATCHET DRIVE MECHANISM

**MX50 / MX80 APRON RATCHET PARTS BREAKDOWN**

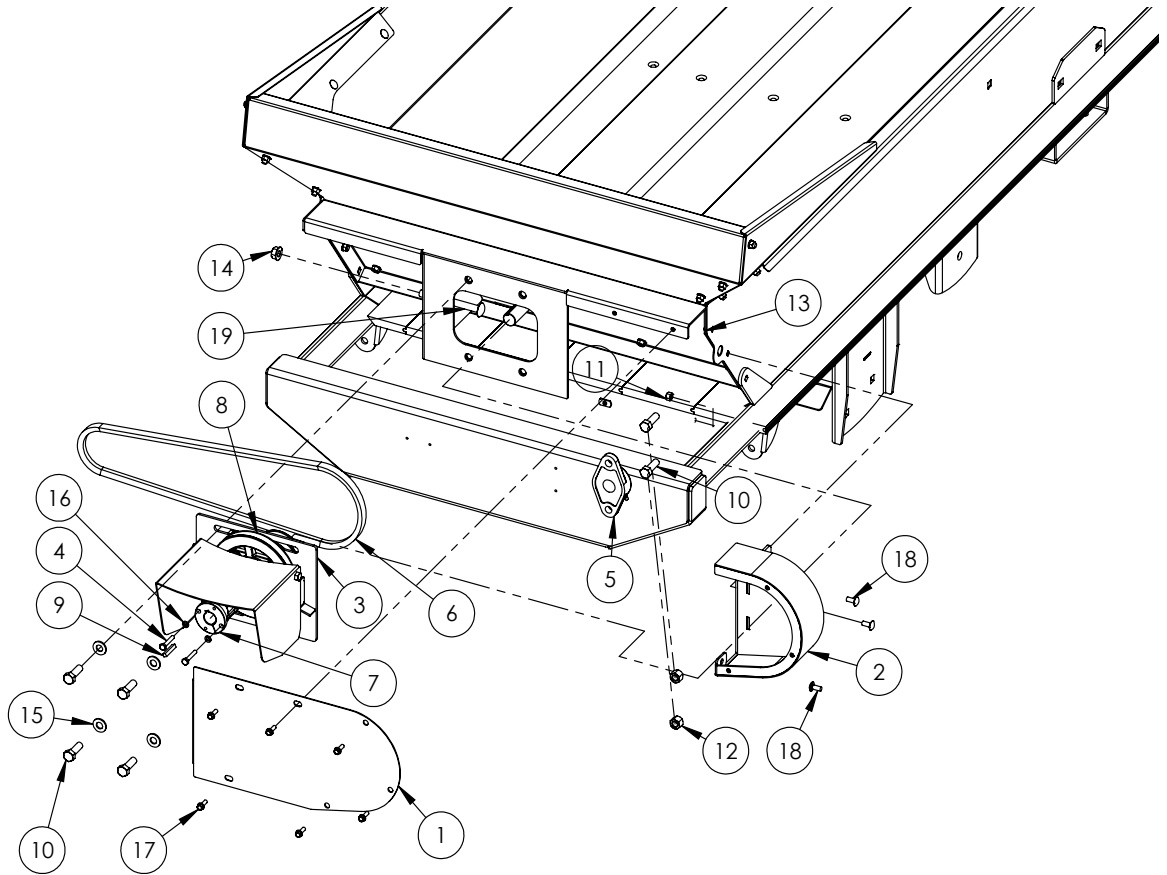
| ITEM | PART NUMBER | DESCRIPTION                        | QTY. |
|------|-------------|------------------------------------|------|
| 1    | 7015A507    | Apron Ratchet Drive Mechanism      | 1    |
| 2    | 7015W518    | Shield, Apron Drive                | 1    |
| 3    | Z25102      | FD 2-Bolt Flange Bearing 1"        | 1    |
| 4    | Z31201      | Spring 1/2 x 1-1/2 x .048          | 1    |
| 5    | Z31304      | Spring 1/2 x 2-1/2 x .063          | 1    |
| 6    | Z42141      | #50 Roller Chain 44P (22 Links)    | 1    |
| 7    | Z42803      | Sprocket, #50 11Tooth 1" Bore      | 1    |
| 8    | Z46532      | Key 1/4 x 1/4 x 1-1/2              | 1    |
| 9    | Z46536      | Key, 1/4 x 1/4 x .913              | 1    |
| 10   | Z71310      | Hex Bolt 3/8NC x 1                 | 2    |
| 11   | Z72231      | Hex Lock Nut 3/8NC                 | 3    |
| 12   | Z72251      | Hex Lock Nut 1/2NC                 | 1    |
| 13   | Z72461      | Low Profile Lock Nut 5/8NC         | 1    |
| 14   | Z72521      | Flange Nut 5/16NC                  | 1    |
| 15   | Z73130      | Flat Washer 3/8                    | 2    |
| 16   | Z73232      | Wide Washer 3/8 Thin               | 1    |
| 17   | Z75571      | Shoulder Bolt 3/4 x 1-1/2          | 1    |
| 18   | Z76121      | Flange Bolt 5/16NC x 3/4           | 4    |
| 19   | Z76222      | Carriage Bolt 5/16NC x 5/8         | 1    |
| 20   | Z76232      | Carriage Bolt 3/8NC x 1-1/4        | 2    |
| ITEM | PART NUMBER | DESCRIPTION                        | QTY. |
| 30   | 7015L524    | Handle, Ratchet Speed Set          | 1    |
| 31   | 7015M512    | Flange Bushing                     | 1    |
| 32   | 7015M514    | Bushing, Link Arm Bolt             | 1    |
| 33   | 7015M517    | Bolt Spacer                        | 1    |
| 34   | 7015W510    | Arm, Apron Ratchet Drive           | 2    |
| 35   | 7015W511    | Slide, Speed Adjuster              | 1    |
| 36   | 7015W512    | Dog, Ratchet                       | 2    |
| 37   | 7015W513    | Ratchet, Apron Drive               | 1    |
| 38   | 7015W514    | #50 24Tooth Sprocket Hub           | 1    |
| 39   | 7015W515    | Arm, Ratchet Drive Link            | 1    |
| 40   | Z21204      | Ball Bearing 1635 RS               | 3    |
| 41   | Z26201      | Bushing, 3/4 ID x 1-1/2            | 1    |
| 42   | Z26303      | Bushing, 1 ID x 1-1/4 Long Grooved | 2    |
| 43   | Z29202      | Grease Zerk 1/4NF                  | 2    |
| 44   | Z71310      | Hex Bolt 3/8NC x 1                 | 1    |
| 45   | Z71525      | Hex Bolt 1/2NC x 2-1/2             | 3    |
| 46   | Z72231      | Hex Lock Nut 3/8NC                 | 1    |
| 47   | Z72251      | Hex Lock Nut 1/2NC                 | 3    |



**MX50P PTO DRIVELINE PARTS BREAKDOWN**

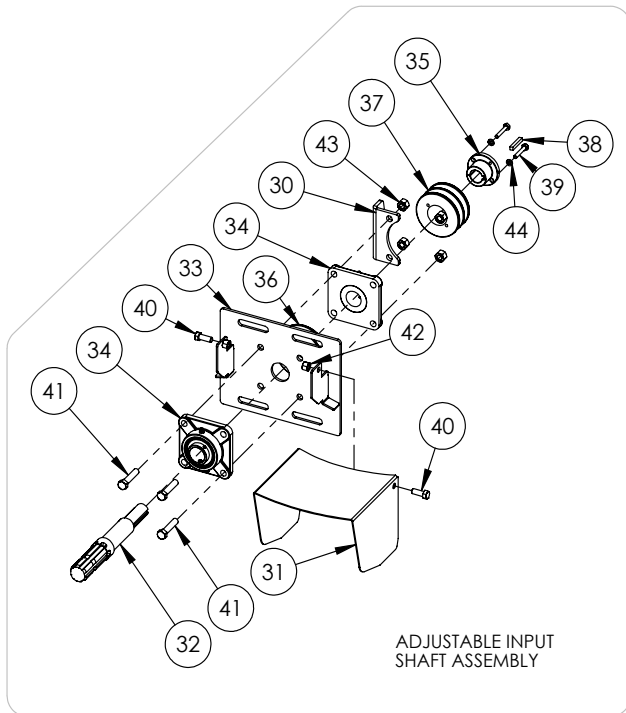
| ITEM | PART NO. | DESCRIPTION                 | QTY |
|------|----------|-----------------------------|-----|
| 1    | 7013A304 | Assembly, PTO Axle          | 1   |
| 2    | 7013L333 | Shield, PTO Drive Shaft     | 1   |
| 3    | 7013M315 | Shaft, PTO Drive            | 1   |
| 4    | 7013W316 | Beater Bar, PTO Drive       | 1   |
| 5    | 7015L525 | Bracket, Gear Box           | 1   |
| 6    | 7015L536 | Bracket, PTO Drive Shaft    | 1   |
| 7    | 7015W506 | Guard, Gearbox              | 1   |
| 8    | Z25101   | FL 2-Bolt Flange Bearing 1" | 1   |
| 9    | Z43101   | Gearbox 540RPM 15HP         | 1   |
| 10   | Z46404   | Shaft Coupler L095 x 1      | 2   |
| 11   | Z46405   | Coupler Spider L095         | 1   |
| 12   | Z71307   | Hex Bolt 3/8NC x 3/4        | 2   |
| 13   | Z71345   | Hex Bolt 3/8NC x 4-1/2      | 4   |
| 14   | Z71515   | Hex Bolt 1/2NC x 1-1/2      | 2   |
| 15   | Z71615   | Hex Bolt 5/8NC x 1-1/2      | 4   |
| 16   | Z72261   | Hex Lock Nut 5/8NC          | 4   |
| 17   | Z72521   | Flange Nut 5/16NC           | 2   |
| 18   | Z72531   | Flange Nut 3/8NC            | 8   |
| 19   | Z72551   | Flange Nut 1/2NC            | 2   |
| 20   | Z76111   | Flange Bolt 1/4NC x 3/4     | 4   |
| 21   | Z76221   | Carriage Bolt 5/16NC x 3/4  | 2   |
| 22   | Z76231   | Carriage Bolt 3/8NC x 1     | 2   |
| 23   | Z46536   | Key, 1/4 x 1/4 x .913       | 2   |



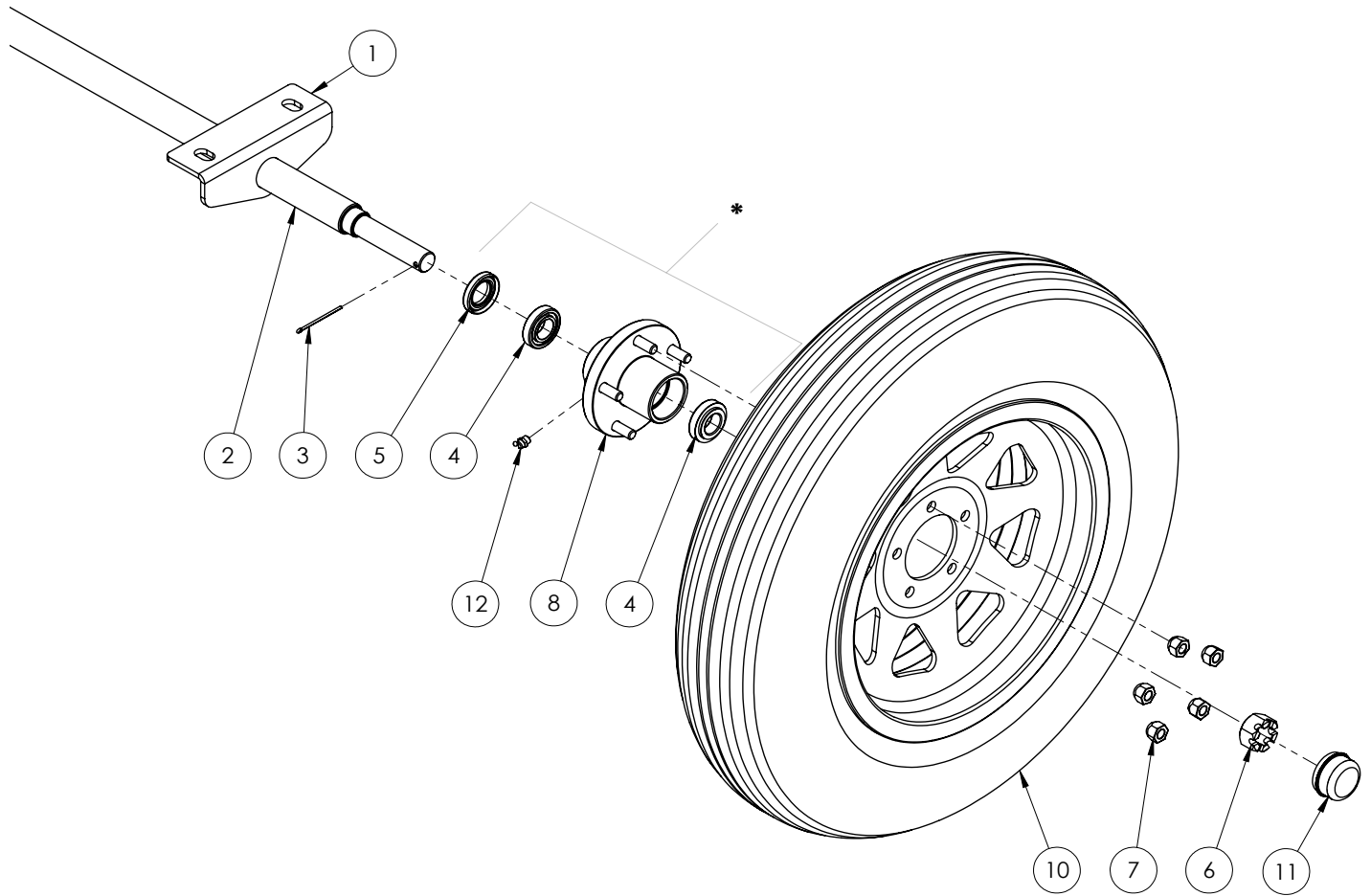


**MX50P PTO DRIVE PARTS BREAKDOWN**

| ITEM | PART NO. | DESCRIPTION                    | QTY |
|------|----------|--------------------------------|-----|
| 1    | 7013L332 | Shield, PTO Belt               | 1   |
| 2    | 7013W305 | Front Pulley Shield            | 1   |
| 3    | 7015A508 | Assy, Adjustable Input Shaft   | 1   |
| 5    | Z25101   | FL 2-Bolt Flange Bearing 1"    | 1   |
| 6    | Z41154   | Single Belt, B51               | 1   |
| 7    | Z41510   | "L" Bushing 1" Bore            | 1   |
| 8    | Z41610   | "B" Sheave, 6.75" Pitch        | 1   |
| 9    | Z46532   | Key 1/4 x 1/4 x 1-1/2          | 1   |
| 10   | Z71515   | Hex Bolt 1/2NC x 1-1/2         | 6   |
| 11   | Z72221   | Hex Lock Nut 5/16NC            | 1   |
| 12   | Z72251   | Hex Lock Nut 1/2NC             | 6   |
| 13   | Z72521   | Flange Nut 5/16NC              | 2   |
| 14   | Z72551   | Flange Nut 1/2NC               | 1   |
| 15   | Z73150   | Flat Washer 1/2                | 4   |
| 16   | Z73310   | Lock Washer 1/4                | 2   |
| 17   | Z76111   | Flange Bolt 1/4NC x 3/4        | 6   |
| 18   | Z76221   | Carriage Bolt 5/16NC x 3/4     | 3   |
| 19   | Z76253   | Carriage Bolt 1/2NC x 5        | 1   |
| ITEM | PART NO. | DESCRIPTION                    | QTY |
| 30   | 7015L539 | Bracket, Belt Tightener        | 1   |
| 31   | 7015L541 | PTO Cover                      | 1   |
| 32   | 7015M516 | PTO Spline                     | 1   |
| 33   | 7015W504 | PTO Spline Plate               | 1   |
| 34   | Z25202   | 4-Bolt Flange Bearing, 1-1/4   | 2   |
| 35   | Z41510   | "L" Bushing 1" Bore            | 1   |
| 36   | Z41601   | Sheave, 3.95 Pitch "L" Bore    | 1   |
| 37   | Z41704   | Double "B" Sheave, 3.55" Pitch | 1   |
| 38   | Z46532   | Key 1/4 x 1/4 x 1-1/2          | 1   |
| 39   | Z71115   | Hex Bolt 1/4NC x 1-1/2         | 2   |
| 40   | Z71310   | Hex Bolt 3/8NC x 1             | 2   |
| 41   | Z71420   | Hex Bolt 7/16NC x 2            | 4   |
| 42   | Z72231   | Hex Lock Nut 3/8NC             | 2   |
| 43   | Z72240   | Hex Lock Nut, 7/16NC           | 4   |
| 44   | Z73310   | Lock Washer 1/4                | 2   |



This Page is Intentionally Blank



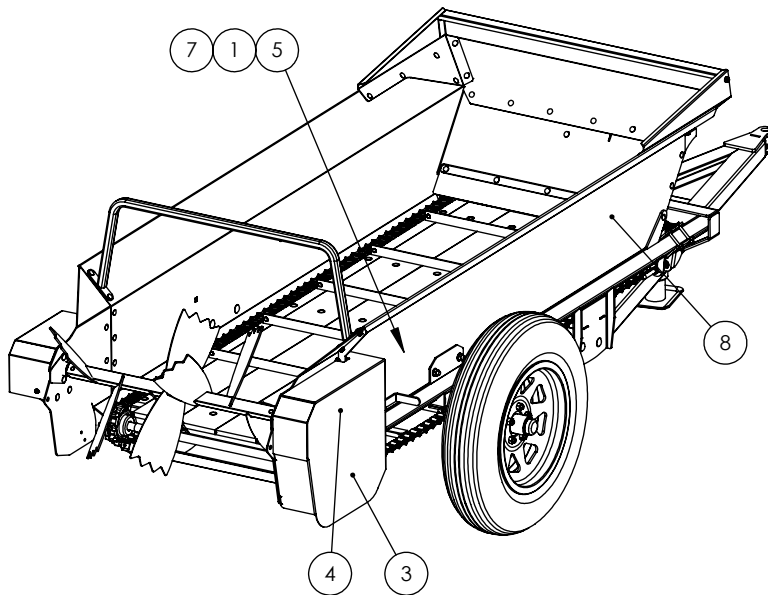
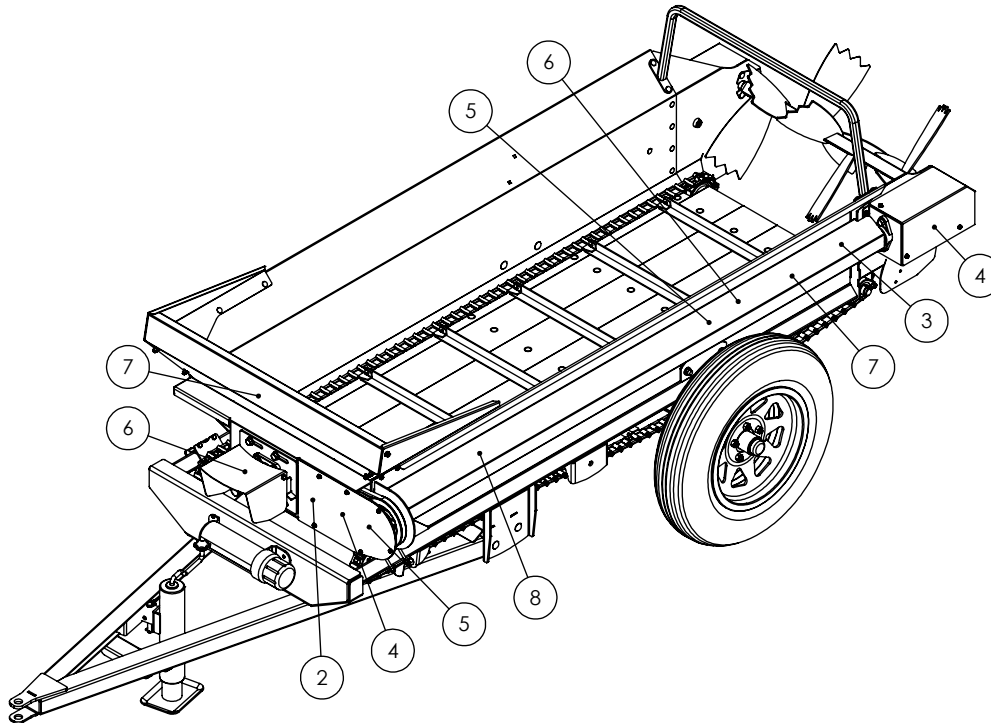
**PTO DRIVE MANURE SPREADER AXLE PARTS BREAKDOWN**

| ITEM | PART #   | DESCRIPTION                 | QTY. |
|------|----------|-----------------------------|------|
| 1    | 7015L509 | Bracket, PTO Axle Mount     | 2    |
| 2    | 7013W309 | Axle Shaft                  | 1    |
| 3    | Z12312   | Cotter Pin 1/8 X 2-1/2      | 2    |
| 4    | Z23201   | L44643 Cone, L44610 Cup     | 4    |
| 5    | Z28301   | Double Lip Seal 1-1/4 Shaft | 2    |
| 6    | Z72691   | Slotted Hex Nut 1NF         | 2    |
| 7    | Z72931   | Lug Nut 1/2NF               | 10   |
| 8    | Z91203   | 1100# 5 on 4-1/2 Hub        | 2    |
| *    | Z91204   | Complete 1100 Hub w/ Parts  | 2    |
| 10   | Z91304   | 6.70-15 SL Farm Spec Spoked | 2    |
| 11   | Z91801   | Dust Cap 1.98 Bore          | 2    |
| 12   | Z29204   | Grease Fitting, 1/8NPT x 45 | 2    |

### MX50 DECAL BREAKDOWN

| ITEM | PART NO. | DESCRIPTION        | QTY |
|------|----------|--------------------|-----|
| 1    | Z94044   | Apron Speed        | 1   |
| 2    | Z94046   | Read Manual        | 1   |
| 3    | Z94047   | Rotating Blade     | 2   |
| 4    | Z94012   | Rotating Part      | 3   |
| 5    | Z94049   | Shield Hazard      | 2   |
| 6    | Z94009   | Rotating Driveline | 1   |
| 7    | Z94019   | Made in Canada     | 3   |
| 8    | Z94069   | MX50               | 2   |

**NOTE: Item 5 is placed under the shield**

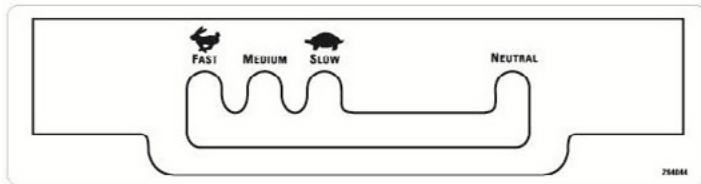


# MX50P Decals

Z94069



Z94044



Z94009



Z94019



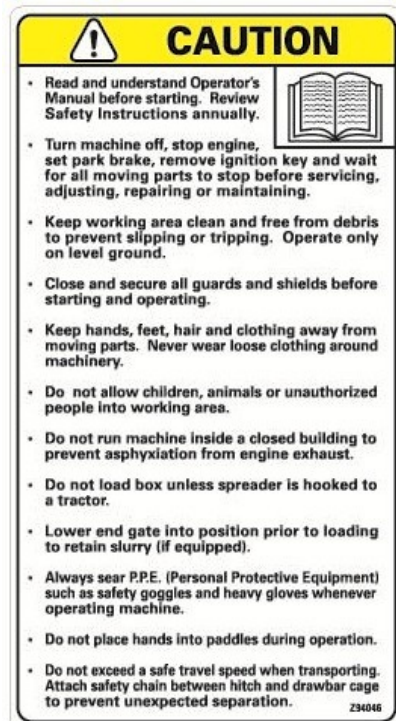
Z94012



Z94047



Z94046



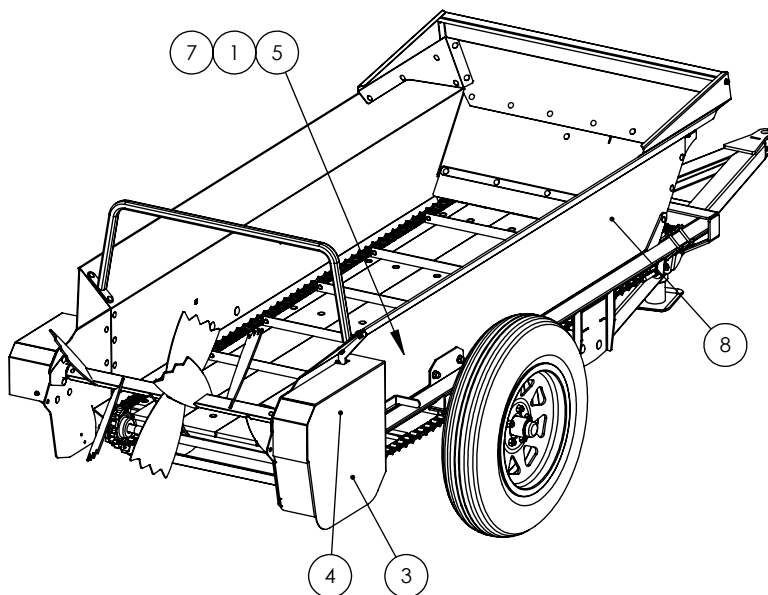
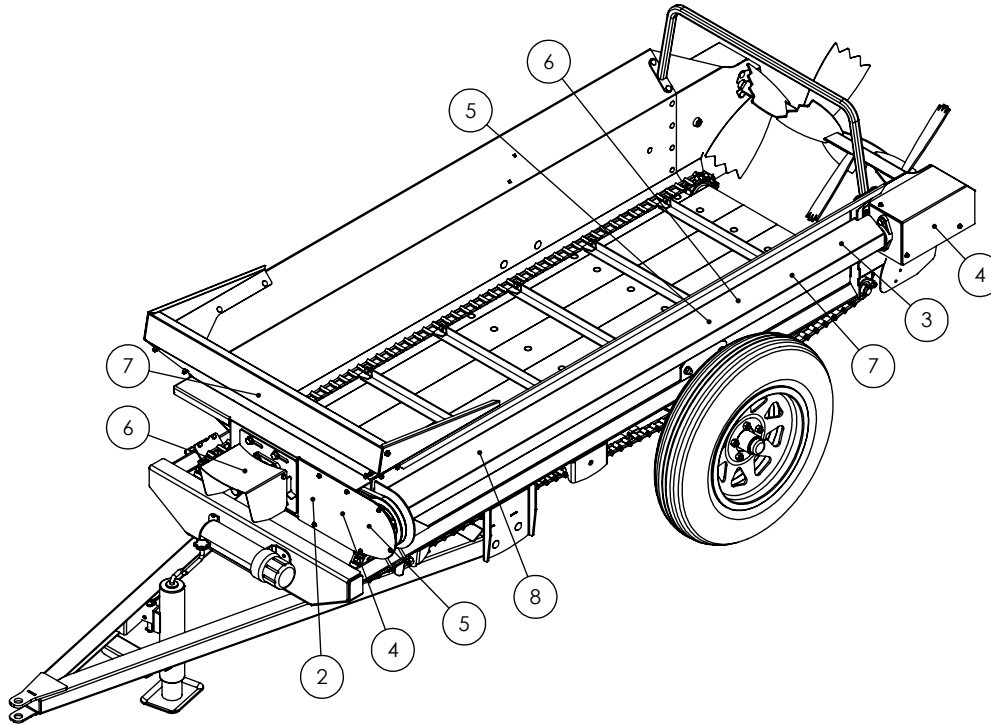
Z94049



### MX50P DECAL BREAKDOWN

| ITEM | PART NO. | DESCRIPTION        | QTY |
|------|----------|--------------------|-----|
| 1    | Z94044   | Apron Speed        | 1   |
| 2    | Z94119   | Read Manual        | 1   |
| 3    | Z94168   | Rotating Blade     | 2   |
| 4    | Z94116   | Rotating Part      | 3   |
| 5    | Z94169   | Shield Hazard      | 2   |
| 6    | Z94118   | Rotating Driveline | 1   |
| 7    | Z94019   | Made in Canada     | 3   |
| 8    | Z94069   | MX50               | 2   |

**NOTE: Item 5 is placed under the shield**



# Two-Panel MX50P Decals

Z94116



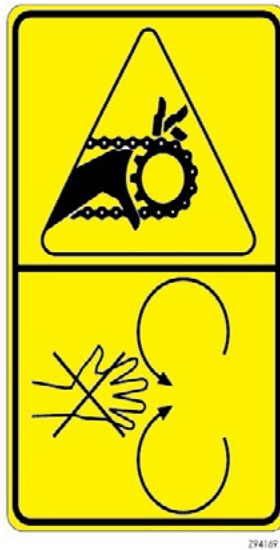
Z94019



Z94168



Z94169



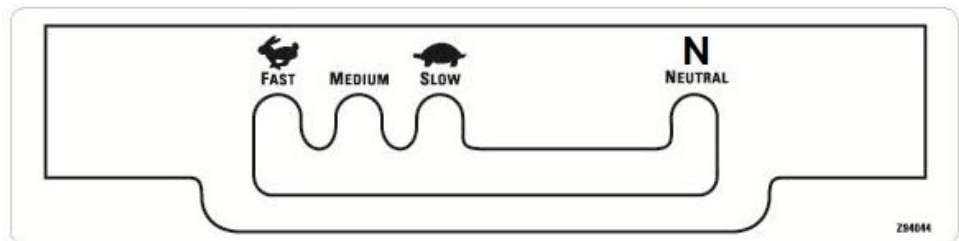
Z94118



Z94119



Z94044



Z94069





**WALLENSTEIN Products Manufactured by:**

**EMB MFG Inc.**

4144 Boomer Line  
St. Clements, Ontario  
Canada N0B 2M0  
Phone: 1-877-695-9283  
Fax: 519-699-4146  
[www.embmfg.com](http://www.embmfg.com)