

PARTS MANUAL

Serial number 1102S00001 to 1102S00080, 1100000 and up

BX102S Wood Chipper

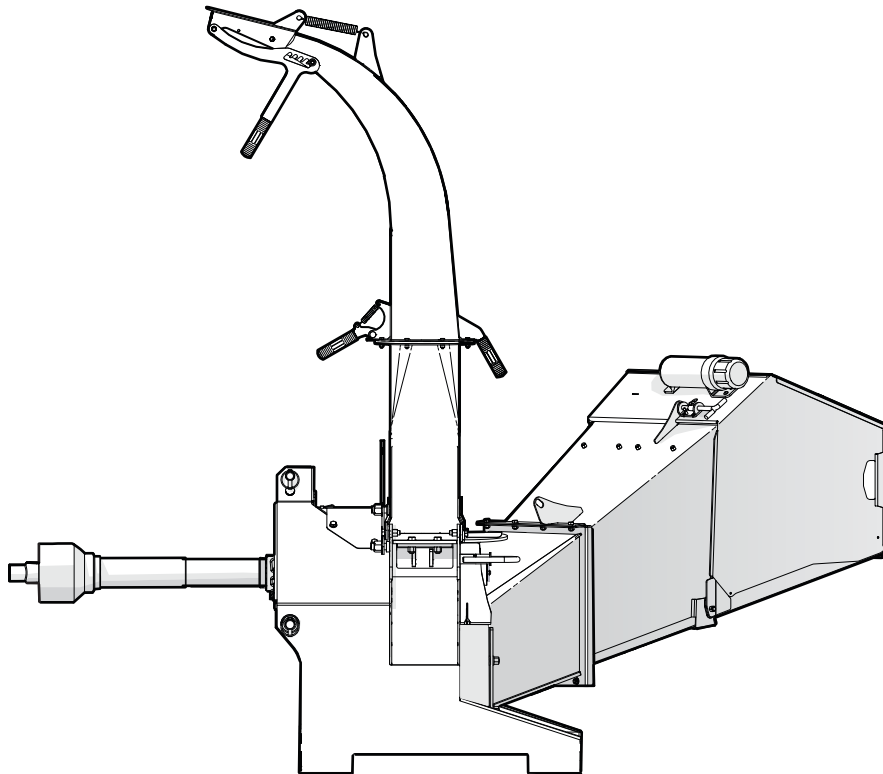


Table of Contents

Introduction3
Model and Serial Number Location.....3
Upper Rotor Housing4
Discharge Chute.....5
Rotor Assembly6
Lower Rotor Housing7
Chipper Hopper.....8
Ledger Knife Components.....9
Label Locations - Left Side10
Label Locations - Right Side.....11
Accessories12
Bolt Torque13

Introduction

! WARNING!

For safety, operation, and maintenance information, see the Operator's Manual for your product.

Only qualified people are approved to maintain the machine.

! WARNING!

Replace all safety labels that are missing, damaged, or illegible. If a component is replaced and it has a safety label on it, apply a safety label to the new component. If a person operates a machine with missing, damaged, or illegible safety labels it puts them at risk of serious injury or death.

W100

This document provides information about the original equipment manufacturer (OEM) components (parts). Always replace a part with the correct OEM part. For service, support, or to order parts, contact your local Wallenstein Equipment dealer or distributor.

Always provide the model and serial number of your Wallenstein product when you order parts, or request service or other information. The model and serial number location is shown in the following illustration.

Record the model and serial number of your product here:

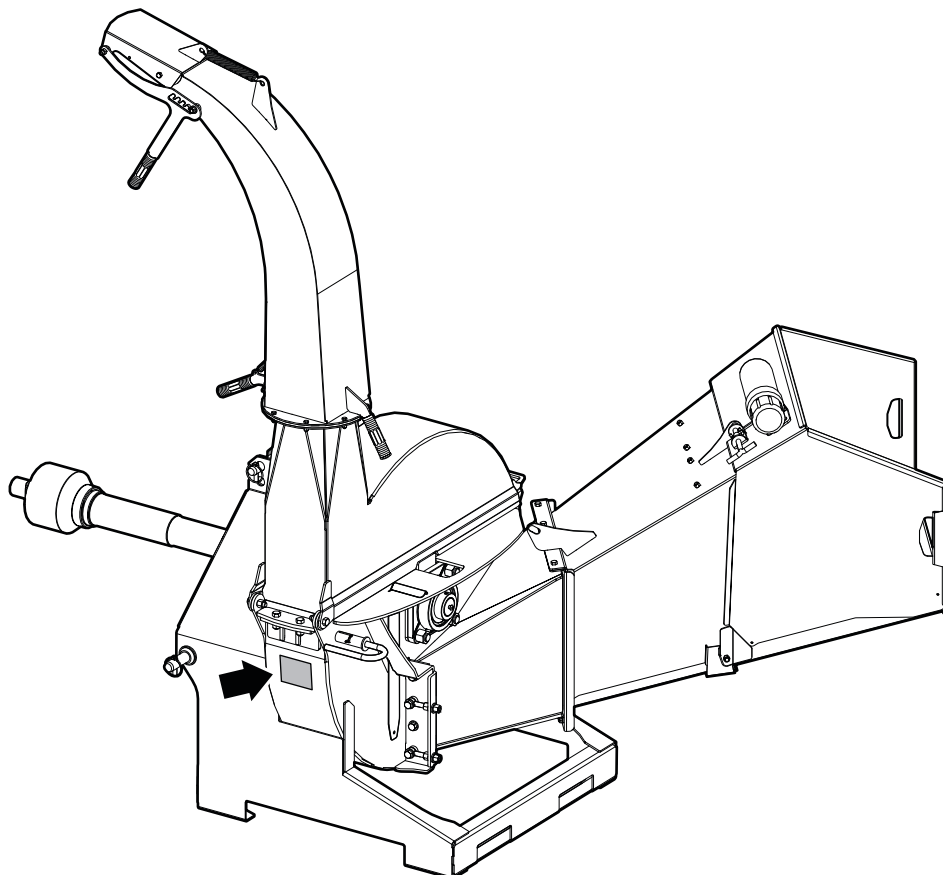
| | |
|----------------------|--|
| Model | |
| Serial Number | |

The information contained in this document was current at the revision date noted on the bottom of each page. Wallenstein Equipment reserves the right to change product specifications at any time without notice. If your product specifications are different from the information in this document, contact your local dealer or distributor. To find a local dealer or distributor, go to WallensteinEquipment.com and select **Dealer Locator** at the bottom of the page.

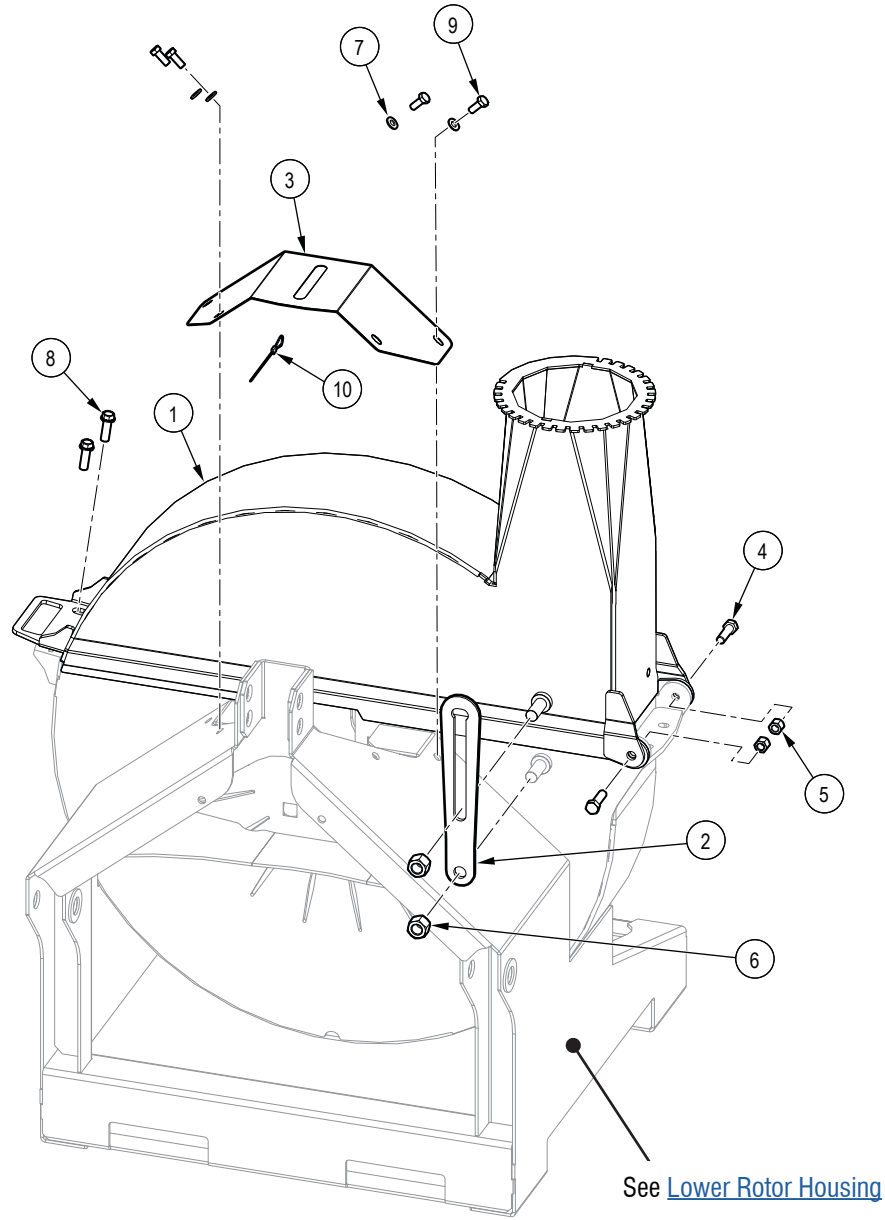
Wallenstein Equipment Inc. • © 2024. All rights reserved.

No part of this work may be copied, reproduced, replaced, distributed, published, displayed, modified, or transferred in any form or by any means except with the prior permission of Wallenstein Equipment Inc.

Model and Serial Number Location



Upper Rotor Housing

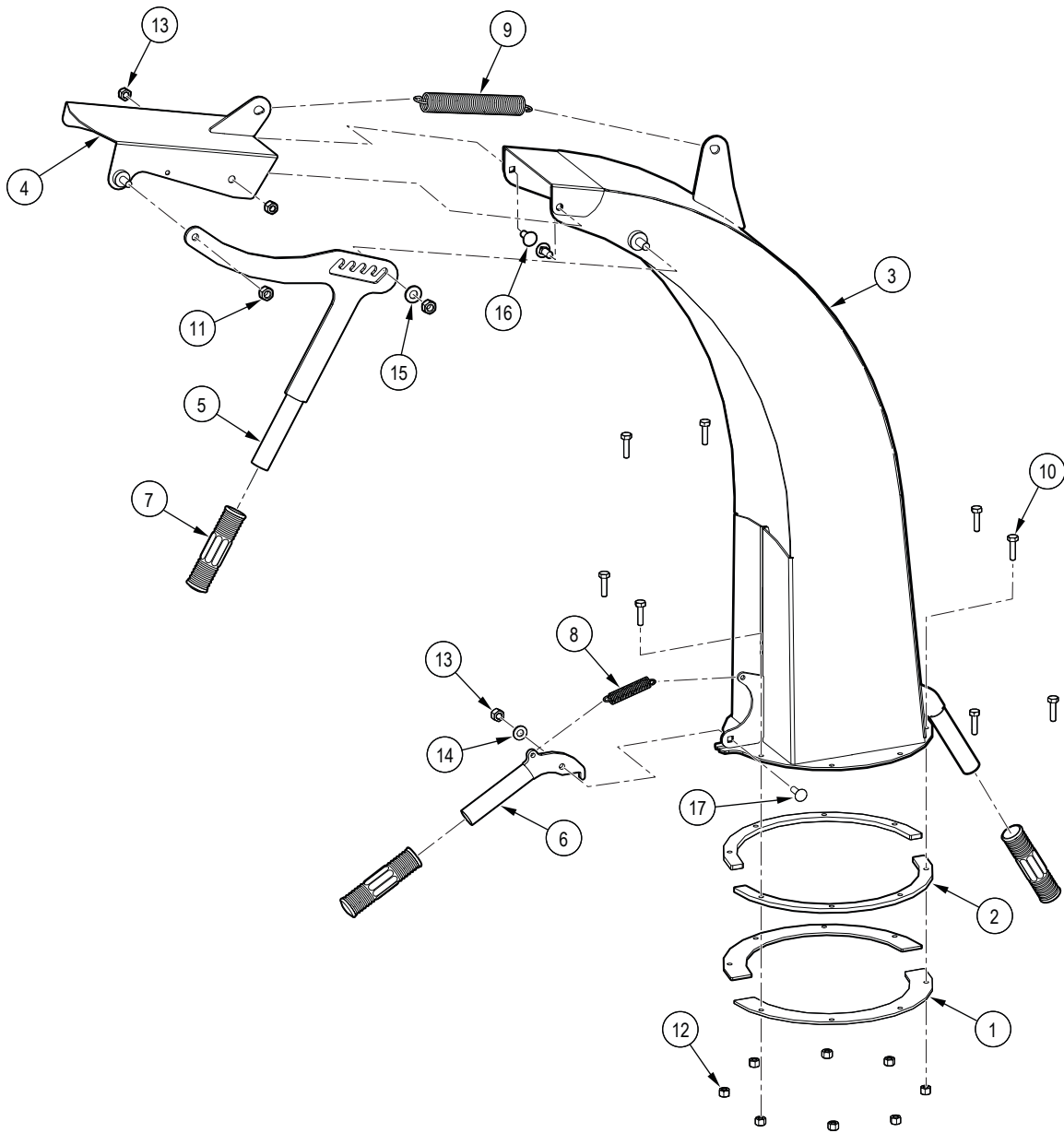


See [Lower Rotor Housing](#)

| Item | Part number | Description | Quantity |
|------|-------------|--------------------------|----------|
| 1 | 1021W105 | Upper Housing | 1 |
| 2 | 1023L155 | Rotation Stop | 1 |
| 3 | 1025L554 | PTO Guard | 1 |
| 4 | Z71517 | Hex Bolt, 1/2NC x 1-3/4" | 2 |
| 5 | Z72251 | Hex Lock Nut, 1/2NC | 2 |
| 6 | Z72271 | Hex Lock Nut, 3/4NC | 2 |

| Item | Part number | Description | Quantity |
|------|-------------|-----------------------------|----------|
| 7 | Z73131 | SAE Washer, 3/8" | 4 |
| 8 | Z76156 | Flange Bolt, 1/2NC x 1-1/2" | 2 |
| 9 | Z77162 | Hex Bolt, M10x1.5 x 25 mm | 4 |
| 10 | Z92110 | Aircraft Cable, 1/16" x 24" | 1 |

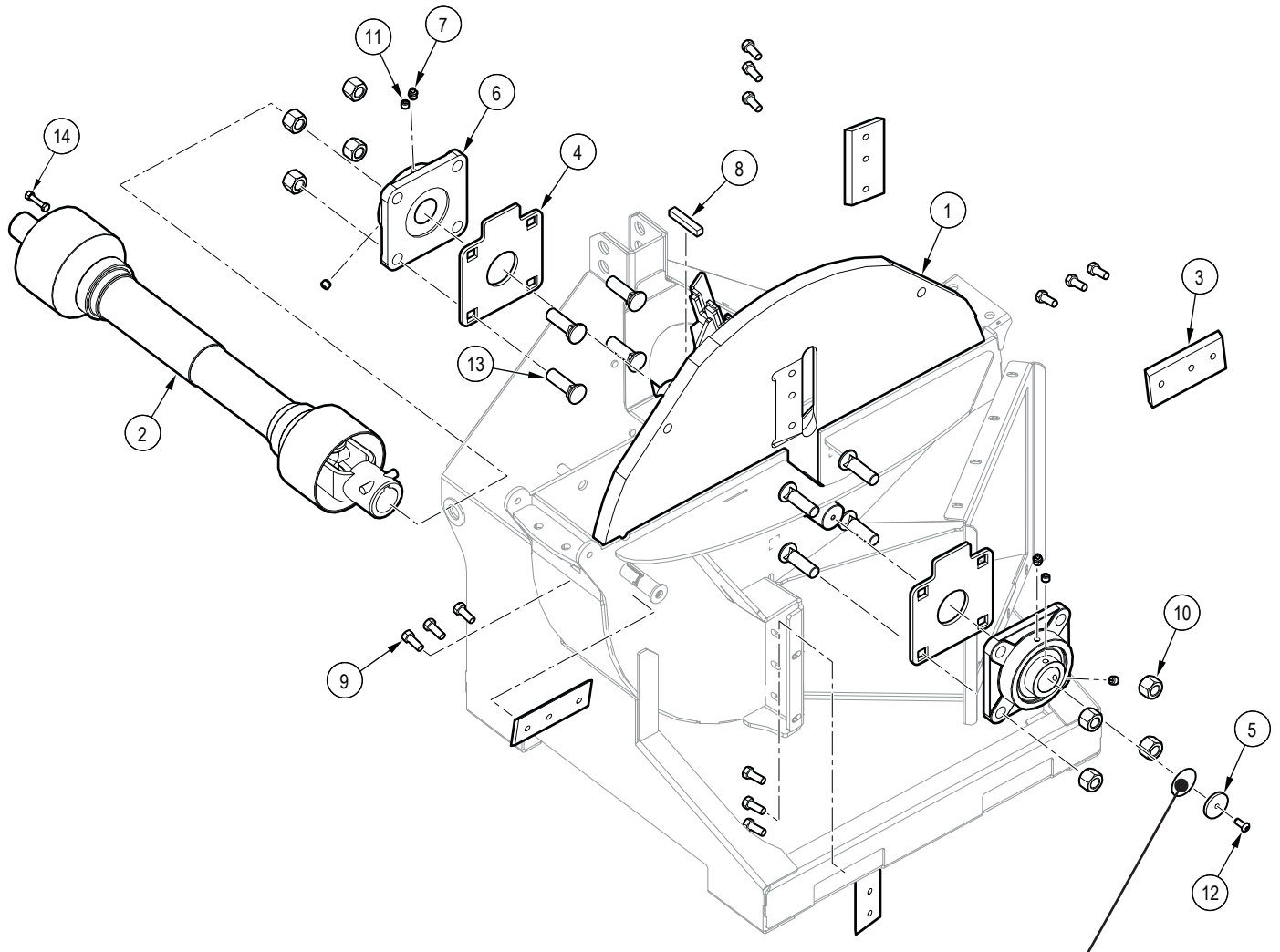
Discharge Chute



| Item | Part number | Description | Quantity |
|------|-------------|--|----------|
| 1 | 1023L291 | Hood Capture Ring | 2 |
| 2 | 1023L292 | Spacer Ring | 2 |
| 3 | 1023W223 | Discharge Chute | 1 |
| 4 | 1023W224 | Discharge Deflector | 1 |
| 5 | 1023W226 | Deflector Handle | 1 |
| 6 | 1024W108 | Discharge Latch | 1 |
| 7 | Z19321 | Grip, 1" x 5" | 3 |
| 8 | Z31305 | Extension Spring, 5/8" OD x 3" x 0.08" | 1 |
| 9 | Z31403 | Extension Spring, 27 mm OD x 178 mm x 0.105" | 1 |

| Item | Part number | Description | Quantity |
|------|-------------|------------------------------|----------|
| 10 | Z71110 | Hex Bolt, 1/4NC x 1" | 8 |
| 11 | Z72231 | Hex Nut, 3/8NC | 2 |
| 12 | Z72211 | Hex Lock Nut, 1/4NC | 8 |
| 13 | Z72221 | Hex Lock Nut, 5/16NC | 3 |
| 14 | Z73122 | SAE Washer, 5/16" | 1 |
| 15 | Z73131 | SAE Washer, 3/8" | 1 |
| 16 | Z76221 | Carriage Bolt, 5/16NC x 3/4" | 2 |
| 17 | Z76225 | Carriage Bolt, 5/16NC x 1" | 1 |

Rotor Assembly

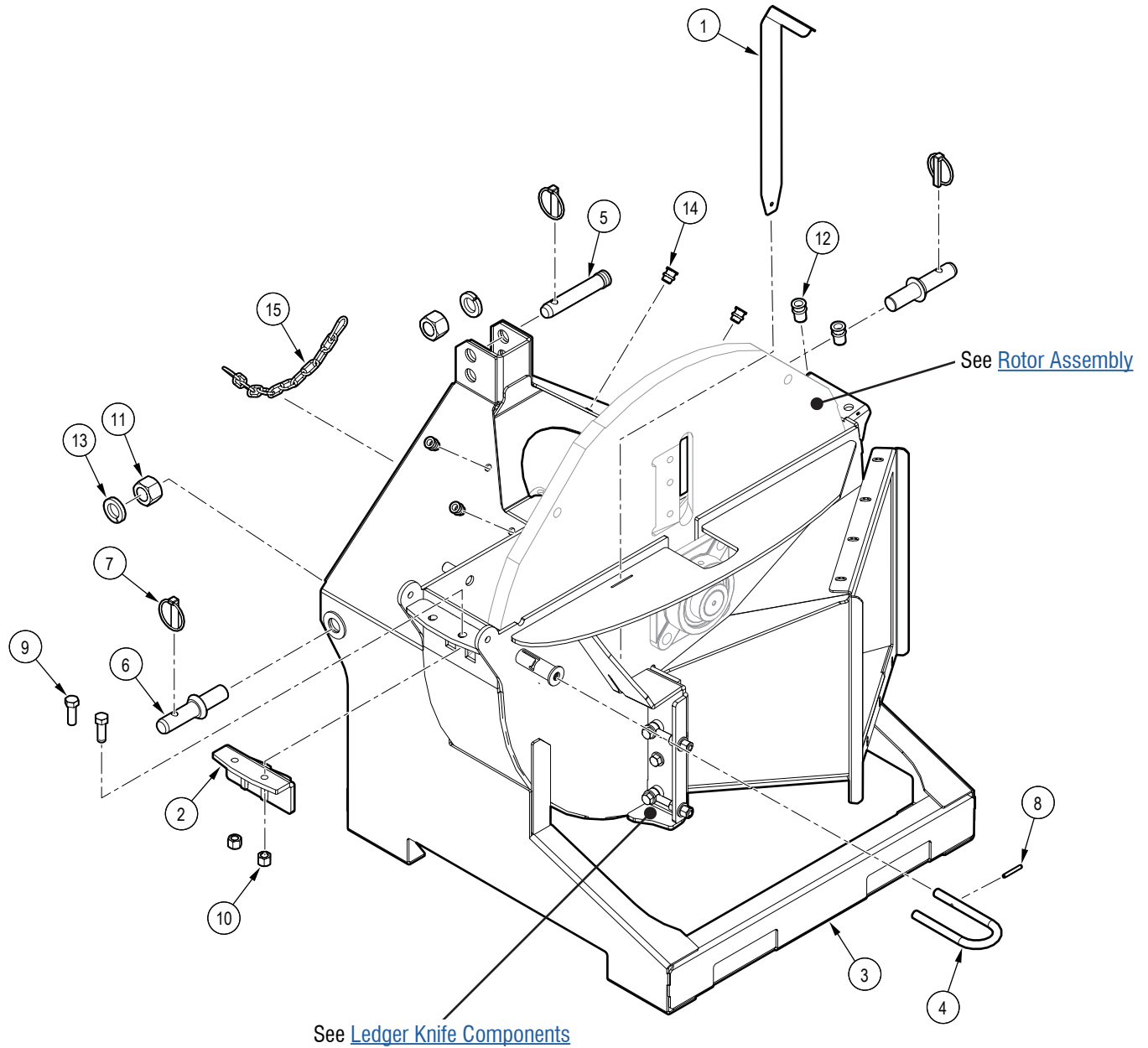


Clockwise rotation label
See [Label Locations - Left Side](#)

| Item | Part number | Description | Quantity |
|------|-------------|--|----------|
| 1 | 1025W501 | Rotor, 10" Self Feed | 1 |
| 2 | Z44802 | Global Series 8 PTO Shaft 2" Crossbolt | 1 |
| 3 | 1019M903 | Knife, BX92 Rotor | 4 |
| 4 | 1021L165 | Bearing Plate, BX102R x 5/16" | 2 |
| 5 | 1021S102 | Rotation Indicator Cover | 1 |
| 6 | Z25209 | UCF311 Flange Bearing | 2 |
| 7 | Z29201 | Grease Fitting, 1/8NPT | 2 |
| 8 | Z46563 | Key, 1/2 x 1/2 x 3 | 1 |

| Item | Part number | Description | Quantity |
|------|-------------|---|----------|
| 9 | Z71575G8 | Hex Bolt, 1/2NF x 1-1/4" G8 | 12 |
| 10 | Z72281G8 | Hex Lock Nut, 7/8NC G8 | 8 |
| 11 | Z74141 | Set Screw, 7/16NF x 3/8" | 4 |
| 12 | Z75351 | BHCS, 5/16NF x 3/4" | 1 |
| 13 | Z76681G8 | Dome Plow Bolt, 7/8NC x 3" G8 | 8 |
| 14 | Z19408 | Shearbolt, M12x1.75 x 65 mm G10.9 with locknut (package of 5) | 1 |

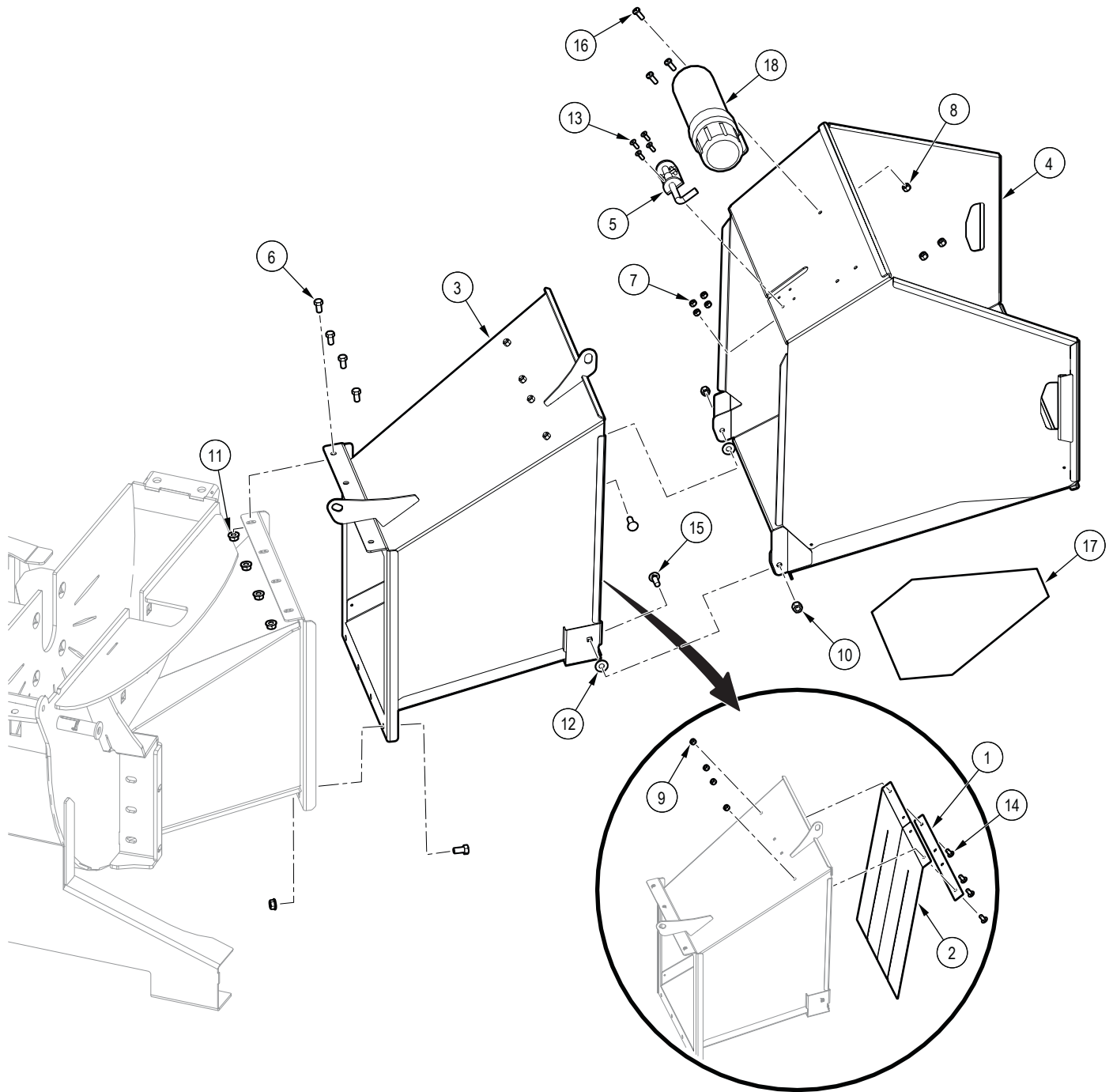
Lower Rotor Housing



| Item | Part number | Description | Quantity |
|------|-------------|--|----------|
| 1 | 1012L269 | Gauge, Ledger Setting | 1 |
| 2 | 1012W204 | Twig Breaker | 1 |
| 3 | 1025W513 | Lower Housing | 1 |
| 4 | 1082M402 | Locking Plunger | 1 |
| 5 | Z11142 | Toplink Pin, 1" x 4-5/16" | 1 |
| 6 | Z11441 | Implement Pin, 1-1/8" x 1-3/4" x 1-1/8NF | 2 |
| 7 | Z12140 | Linchpin, 7/16" | 3 |
| 8 | Z14151 | Roll Pin, 3/16" x 1-1/2" | 1 |

| Item | Part number | Description | Quantity |
|------|-------------|---|----------|
| 9 | Z71515 | Hex Bolt, 1/2NC x 1-1/2" | 2 |
| 10 | Z72251 | Hex Lock Nut, 1/2NC | 2 |
| 11 | Z72294 | Hex Lock Nut, 1-1/8NF | 2 |
| 12 | Z72961 | Rivet Nut, 1/2NC x 350 | 2 |
| 13 | Z73391 | Split Lock Washer, 1-1/8" | 2 |
| 14 | Z77940 | Rivet Nut, M10x1.5 x 313 | 4 |
| 15 | Z92310 | PTO Support Chain, 3/16" x 1ft with Two Snaps | 1 |

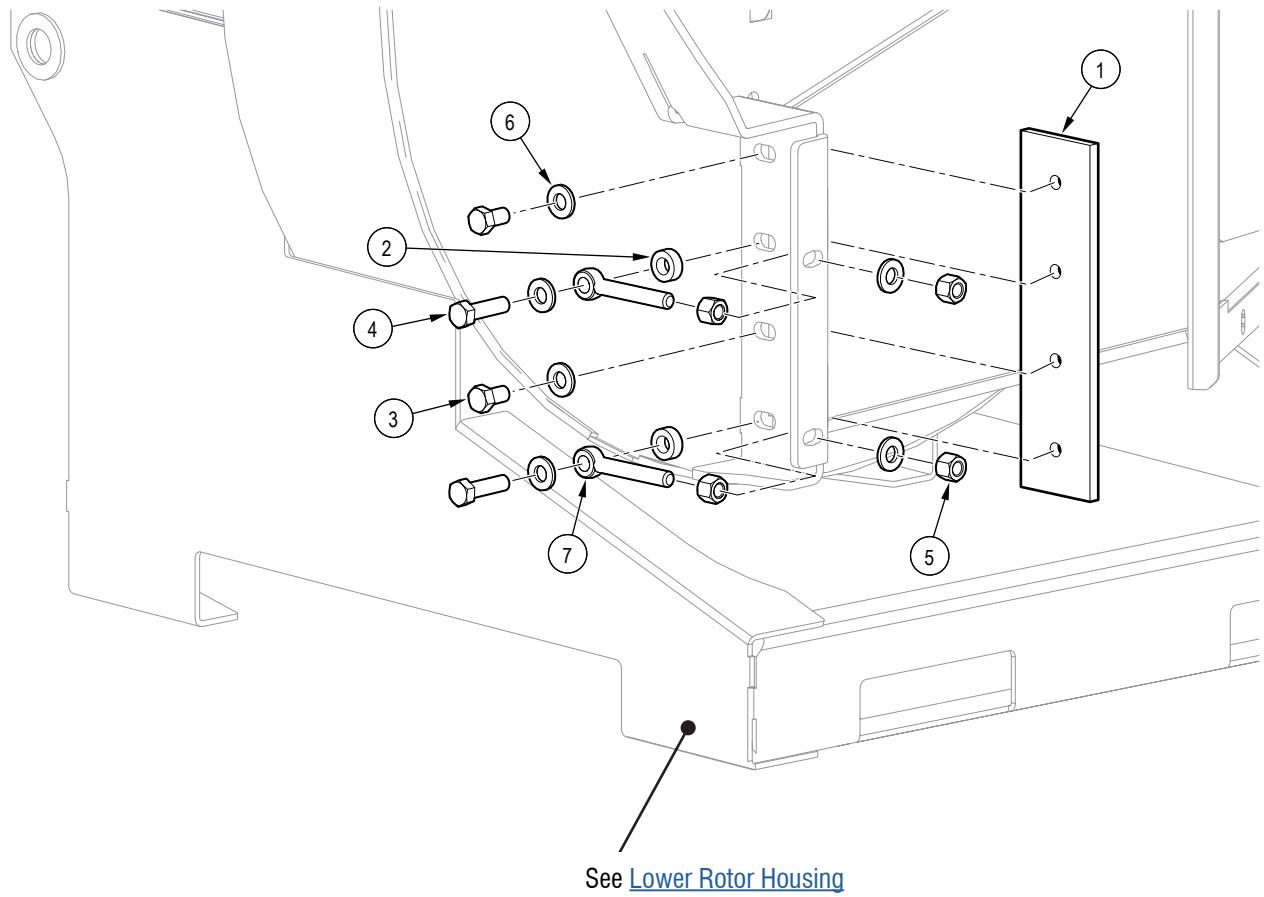
Chipper Hopper



| Item | Part number | Description | Quantity |
|------|-------------|------------------------|----------|
| 1 | 1025L556 | Flap Trap Plate, BX72S | 1 |
| 2 | 1025S508 | Hopper Flap, BX102S | 2 |
| 3 | 1025W510 | Mid Hopper | 1 |
| 4 | 1025W511 | Folding Hopper | 1 |
| 5 | Z18207 | Spring Latch Pin | 1 |
| 6 | Z71307 | Hex Bolt, 3/8NC x 3/4" | 8 |
| 7 | Z72204 | Hex Lock Nut, #10NF | 4 |
| 8 | Z72211 | Hex Lock Nut, 1/4NC | 3 |
| 9 | Z72221 | Hex Lock Nut, 5/16NC | 4 |

| Item | Part number | Description | Quantity |
|------|-------------|--------------------------------|----------|
| 10 | Z72231 | Hex Lock Nut, 3/8NC | 2 |
| 11 | Z72531 | Serrated Flange Locknut, 3/8NC | 8 |
| 12 | Z73233 | PTFE Washer, 3/8" x 1/16" | 2 |
| 13 | Z75204 | FHCS, #10NF x 5/8" | 4 |
| 14 | Z76221 | Carriage Bolt, 5/16NC x 3/4" | 4 |
| 15 | Z76232 | Carriage Bolt, 3/8NC x 1-1/4" | 2 |
| 16 | Z78301 | Machine Screw, 1/4NC x 3/4" | 3 |
| 17 | Z94601 | Slow-Moving Vehicle (SMV) Sign | 1 |
| 18 | Z96503 | Manual Tube, 3-1/2" Short | 1 |

Ledger Knife Components



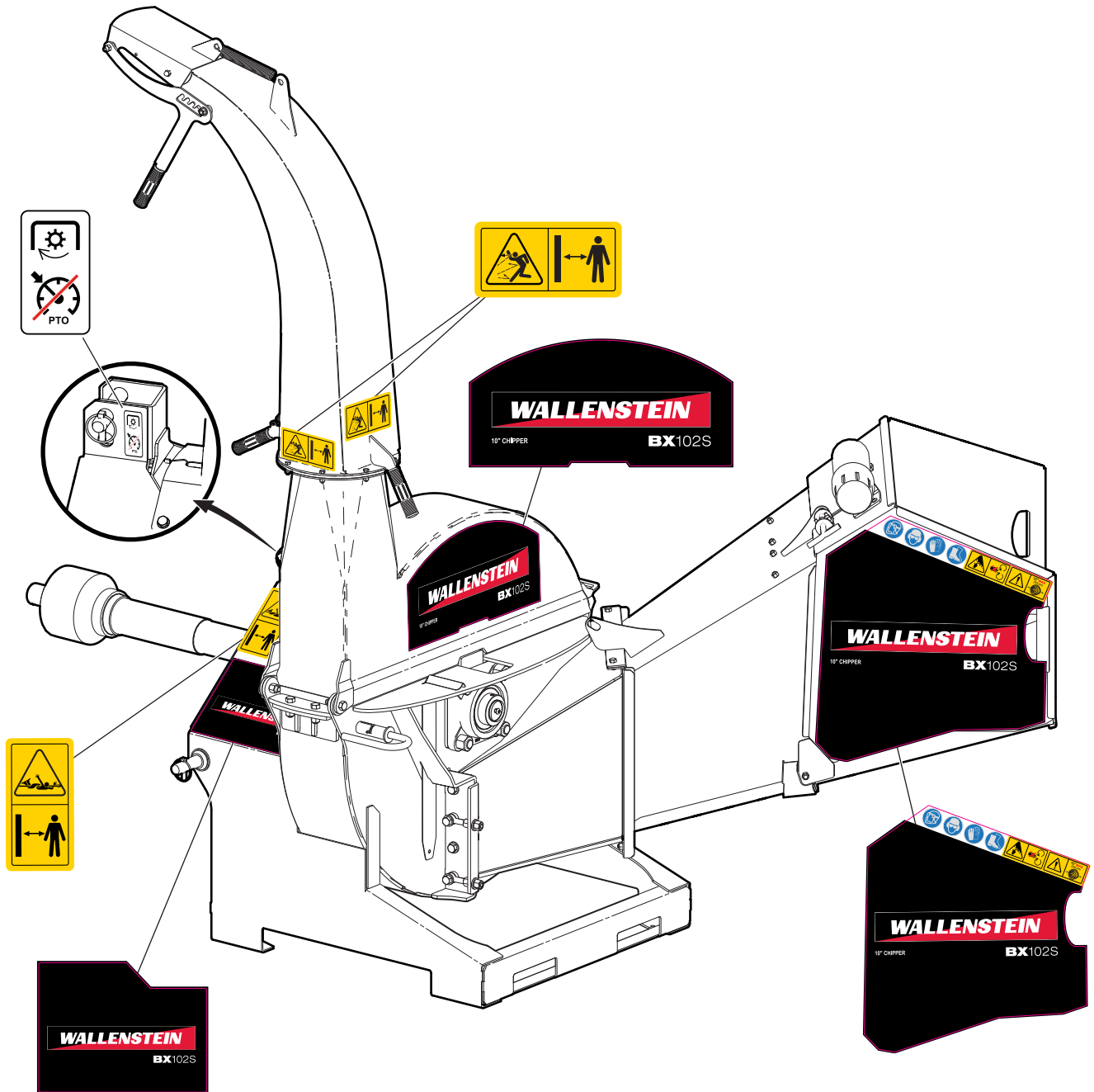
| Item | Part number | Description | Quantity |
|------|-------------|-----------------------------|----------|
| 1 | 1019M904 | Knife, BX92 Ledger | 1 |
| 2 | 1023L150 | Ledger Washer | 2 |
| 3 | Z71572G8 | Hex Bolt, 1/2NF x 7/8" G8 | 2 |
| 4 | Z71579G8 | Hex Bolt, 1/2NF x 1-3/4" G8 | 2 |

| Item | Part number | Description | Quantity |
|------|-------------|--------------------------------------|----------|
| 5 | Z72251 | Hex Lock Nut, 1/2NC | 4 |
| 6 | Z73151 | SAE Washer, 1/2" | 6 |
| 7 | Z76553 | Rod End, 1/2NC x 3-1/2" Full Threads | 2 |

Label Locations - Left Side

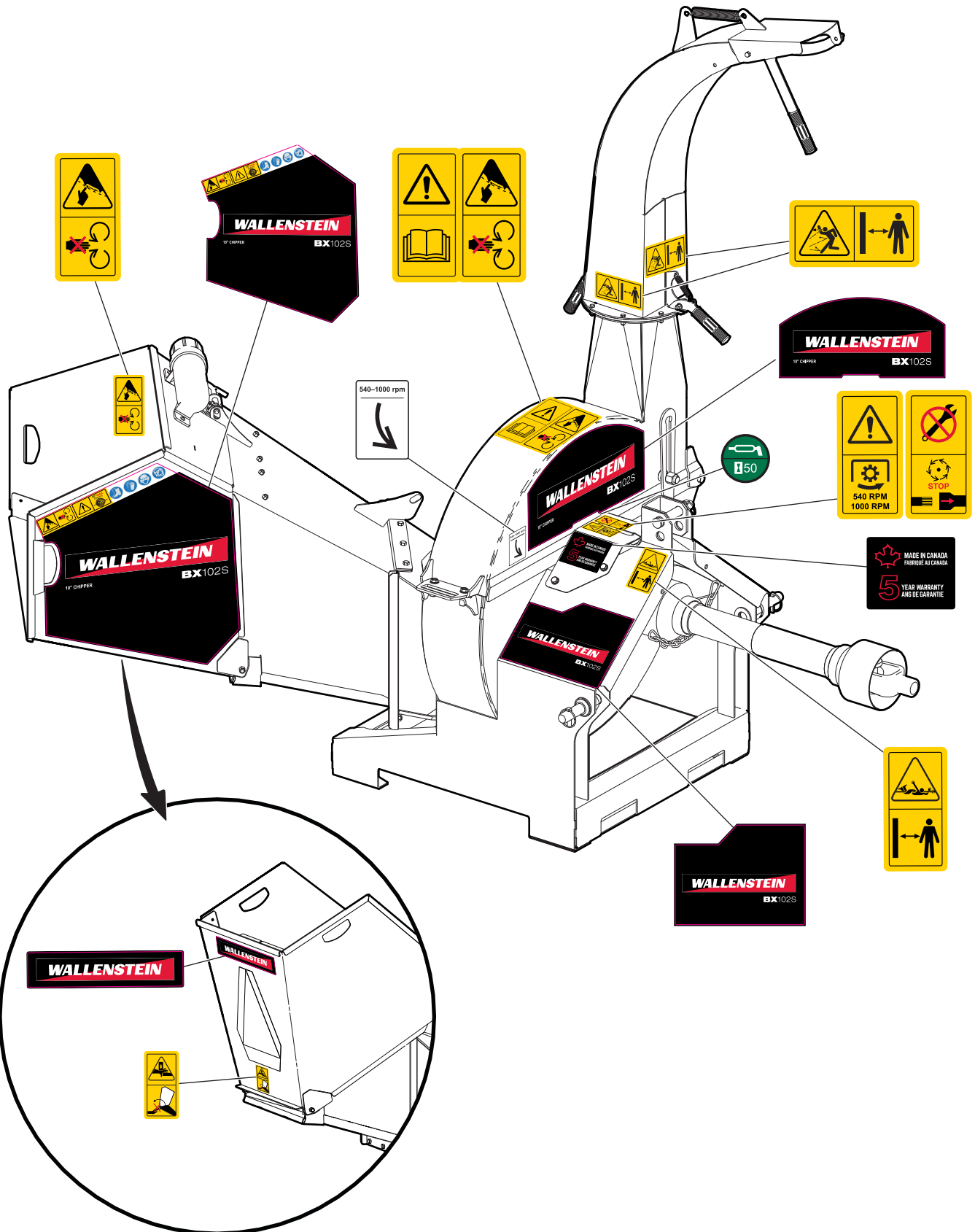
IMPORTANT! If you replace a part that has a safety label on it, you must apply a new safety label. Immediately replace safety labels that are damaged, have been removed, or are illegible.

Contact your local Wallenstein Equipment dealer or distributor to order a safety label kit. Labels are not sold individually.



Label Locations - Right Side

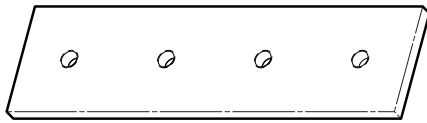
IMPORTANT! If you replace a part that has a safety label on it, you must apply a new safety label. Immediately replace safety labels that are damaged, have been removed, or are illegible.



Accessories

For price and availability, contact your local Wallenstein dealer or distributor.

For accessory installation instructions, go to WallensteinEquipment.com/Support.aspx, and then select **Accessories**.



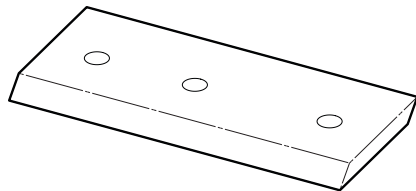
Ledger Knife
1019M904

A replacement ledger knife.



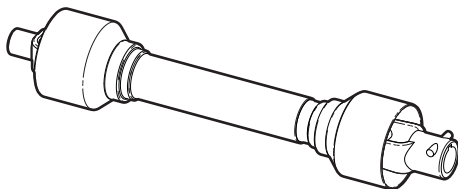
Ledger Knife Clearance Gauge
1012L269

Easily set the correct clearance when you change or adjust the ledger knife or rotor knives.

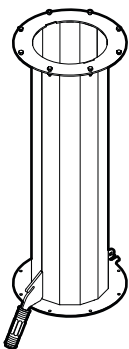


Reversible Rotor Knife
1019M903

A replacement reversible rotor knife.



PTO Shaft (1,000 rpm)
Z44803



30" Discharge Height Extension
CHE100

A discharge chute height extension for use with tractors that have a 1,000 rpm PTO speed. Only available in black.

Bolt Torque

IMPORTANT! If you replace hardware, use fasteners of the same grade.

IMPORTANT! The torque specifications in these tables are for non-greased or non-oiled threads. Do not grease or oil fastener threads unless otherwise indicated. When using a thread lock, increase the specified torque 5%.



Bolt grades are identified by the marks on the bolt head.

The bolt torque specification tables provide the correct torque settings for common bolts and capscrews. Tighten all bolts to the torque that is specified in the table, unless otherwise indicated. Check the bolt tightness periodically.

Imperial Bolt Torque Specifications

| Bolt Diameter | Torque | | | | | |
|---------------|-----------|-----|-----------|-----|-----------|-----|
| | SAE Gr. 2 | | SAE Gr. 5 | | SAE Gr. 8 | |
| | lbf•ft | N•m | lbf•ft | N•m | lbf•ft | N•m |
| 1/4 inch | 6 | 8 | 9 | 12 | 12 | 17 |
| 5/16 inch | 10 | 13 | 19 | 25 | 27 | 36 |
| 3/8 inch | 20 | 27 | 33 | 45 | 45 | 63 |
| 7/16 inch | 30 | 41 | 53 | 72 | 75 | 100 |
| 1/2 inch | 45 | 61 | 80 | 110 | 115 | 155 |
| 9/16 inch | 60 | 95 | 115 | 155 | 165 | 220 |
| 5/8 inch | 95 | 128 | 160 | 215 | 220 | 305 |
| 3/4 inch | 165 | 225 | 290 | 390 | 400 | 540 |
| 7/8 inch | 170 | 230 | 420 | 570 | 650 | 880 |



SAE Gr. 2



SAE Gr. 5



SAE Gr. 8

Metric Bolt Torque Specifications

| Bolt Diameter | Torque | | | |
|---------------|---------|-------|----------|-------|
| | Gr. 8.8 | | Gr. 10.9 | |
| | lbf•ft | N•m | lbf•ft | N•m |
| M3 | 0.4 | 0.5 | 1.3 | 1.8 |
| M4 | 2.2 | 3 | 3.3 | 4.5 |
| M6 | 7 | 10 | 11 | 15 |
| M8 | 18 | 25 | 26 | 35 |
| M10 | 37 | 50 | 52 | 70 |
| M12 | 66 | 90 | 92 | 125 |
| M14 | 83 | 112 | 116 | 158 |
| M16 | 166 | 225 | 229 | 310 |
| M20 | 321 | 435 | 450 | 610 |
| M30 | 1,103 | 1,495 | 1,550 | 2,100 |



8.8



10.9



MAKING WORK FEEL MORE LIKE PLAY™

WallensteinEquipment.com

