



FX65 Skidding Winch Parts Manual

Prior to S/N 565242



Foreword

EMB Mfg. has prepared this parts manual to assist customers in ordering quality OEM replacement parts.

Proper and regular service and replacing old, worn or broken parts with the correct Wallenstein parts are essential to prolonging the life of your Wallenstein product. Please refer to this manual before ordering any replacement parts.

All information contained in this parts manual is based on the latest product specification available at the time of printing this manual. If your product differs from the specifications contained within this manual contact EMB Mfg. for information.

EMB reserves the right to alter specifications on their products at any time.

Reproduction of this parts manual of any kind is prohibited without prior written permission from EMB Mfg.

Note: Log splitters with factory installed light kits will have a VIN number included. The last six numbers of this VIN number are the splitters serial number

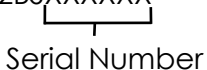
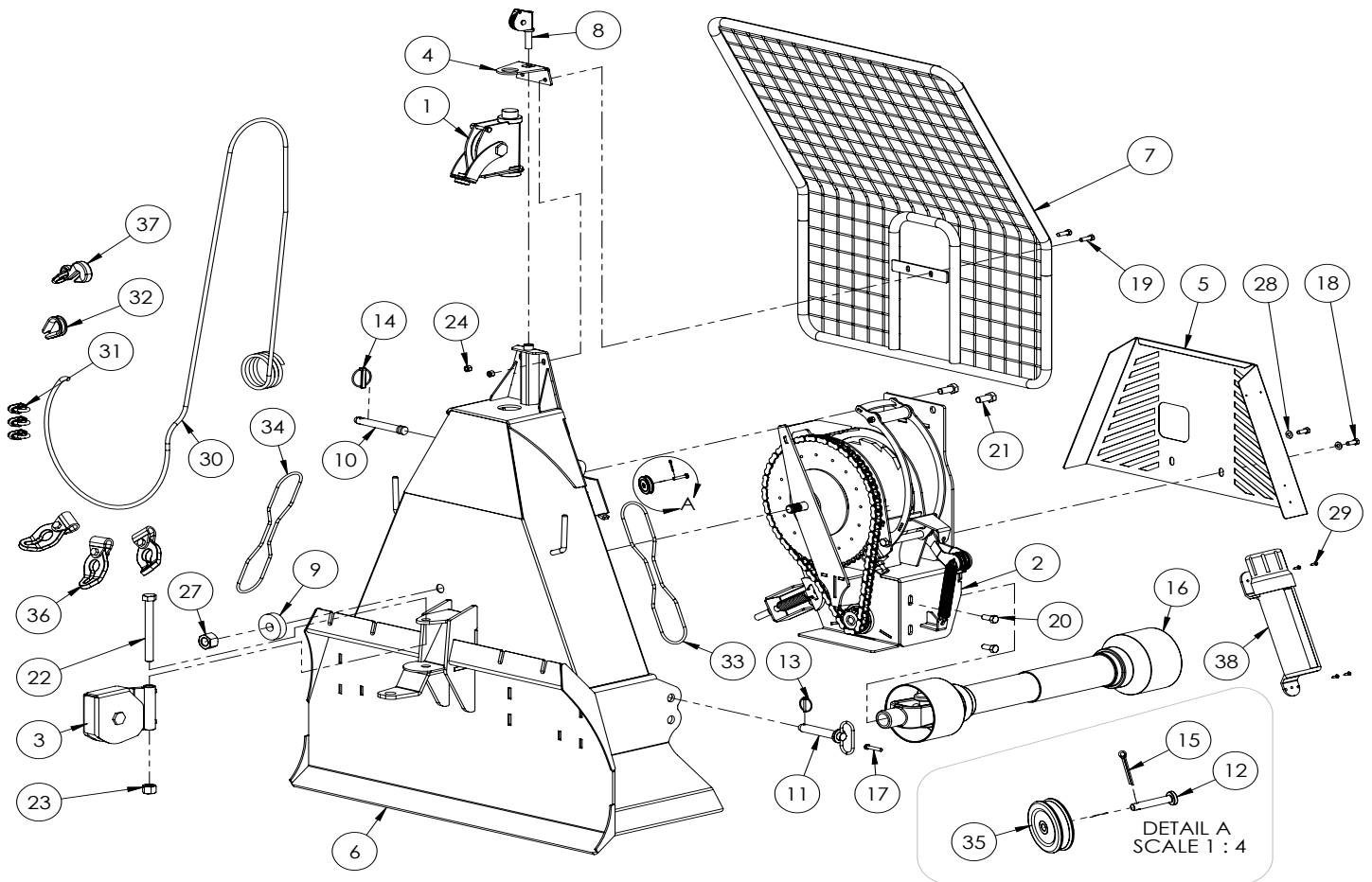
Example: 2E9US1112BSXXXXXX

Serial Number

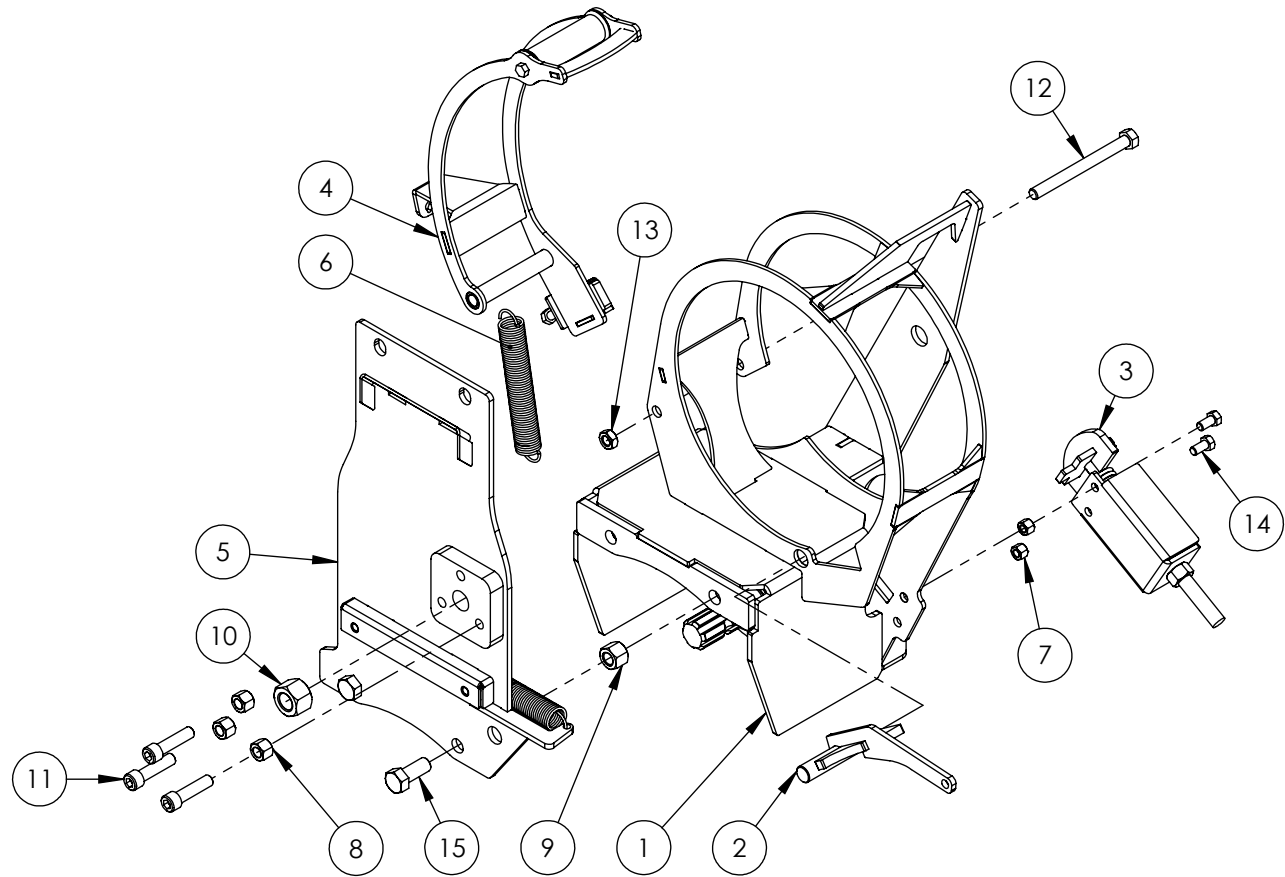
Table of Contents

| | |
|--------------------|----|
| Main Parts | 4 |
| Cable Drum | 5 |
| Brake Arm | 7 |
| Sprocket & Clutch | 8 |
| Engagement Lever | 9 |
| Main Drum | 11 |
| Main Frame | 13 |
| Lower Snatch Block | 14 |
| Top Cable Pulley | 15 |
| PTO Shaft | 16 |
| Decal Breakdown | 18 |



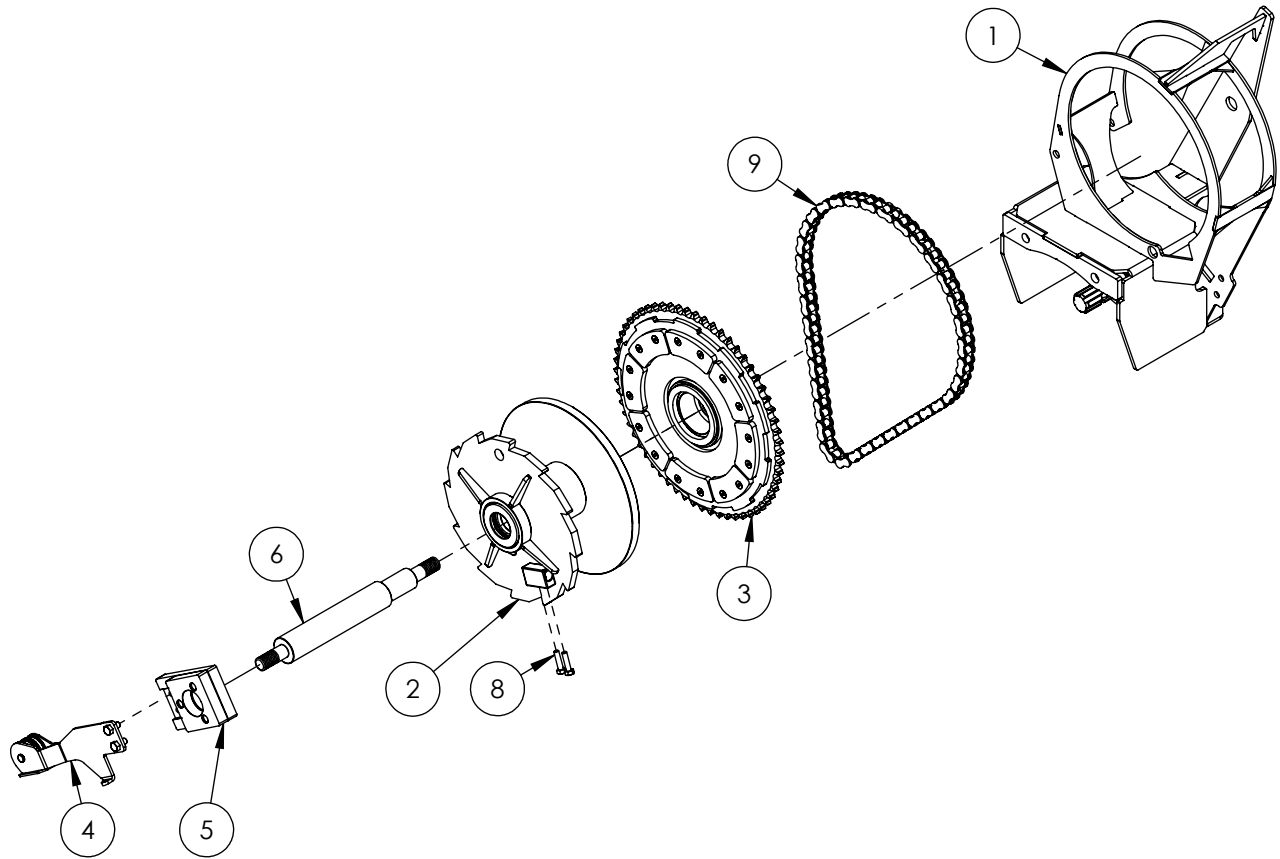
FX65 WINCH MAIN ASSEMBLY PARTS BREAKDOWN

| ITEM | PART NO. | Description | QTY. |
|------|----------|--|------|
| 1 | 5011A514 | Top Cable Pulley | 1 |
| 2 | 5011A517 | Winch Clutch | 1 |
| 3 | 5011A519 | Lower Snatch Block | 1 |
| 4 | 5011L636 | Bracket, Top Pulley Capture | 1 |
| 5 | 5011L650 | Lower Protective Shield | 1 |
| 6 | 5011W001 | Main Frame | 1 |
| 7 | 5011W010 | Safety Screen | 1 |
| 8 | 5012A207 | Clutch Rope Pulley | 1 |
| 9 | 5012L289 | Washer, Bearing Support | 1 |
| 10 | Z11123 | Toplink Pin 3/4 x 4-3/4 | 1 |
| 11 | Z11251 | Hitch Pin 7/8 x 4-1/4 | 2 |
| 12 | Z11311 | Clevis Pin 1/4 x 1-1/8 | 1 |
| 13 | Z12110 | Latch Pin 3/16 | 2 |
| 14 | Z12140 | Latch Pin 7/16 | 1 |
| 15 | Z12311 | Cotter Pin 1/8 X 1 | 1 |
| 16 | Z44401 | #4 PTO Shaft M8 Shear | 1 |
| 17 | Z44901 | Shear Bolt, M8x1.25x45mm Gr8.8 (Includes Lock-nut) | 1 |
| 18 | Z71310 | Hex Bolt 3/8NC x 1 | 2 |
| 19 | Z71312 | Hex Bolt 3/8NC x 1-1/4 | 2 |
| 20 | Z71512 | Hex Bolt 1/2NC x 1-1/4 | 2 |
| 21 | Z71615 | Hex Bolt 5/8NC x 1-1/2 | 2 |
| 22 | Z71770 | Hex Bolt 3/4NC x 7 | 1 |
| 23 | Z72170 | Hex Lock Nut 3/4NC | 1 |
| 24 | Z72231 | Hex Lock Nut 3/8NC | 2 |
| 25 | Z72251 | Hex Lock Nut 1/2NC | 2 |
| 26 | Z72261 | Hex Lock Nut 5/8NC | 2 |
| 27 | Z72291 | Hex Lock Nut 1NC | 1 |
| 28 | Z73130 | Flat Washer 3/8 | 2 |
| 29 | Z76712 | Self-tapping Screw #10 | 4 |
| 30 | Z92101 | Winch Cable 3/8 x 165' | 1 |
| 31 | Z92103 | Cable clamp 3/8 | 3 |
| 32 | Z92105 | Thimble, Cable Protector | 1 |
| 33 | Z92205 | Drum Brake Rope | 1 |
| 34 | Z92201 | Clutch Control Rope | 1 |
| 35 | Z92203 | 1/4 Groove Pulley 2 Diam. | 1 |
| 36 | Z92301 | Keyhole Slider | 3 |
| 37 | Z92302 | Grab Hook | 1 |
| 38 | Z96502 | Manual Tube 3-1/2 | 1 |



FX65 CABLE DRUM PARTS BREAKDOWN

| ITEM | PART NO. | DESCRIPTION | QTY |
|------|----------|-----------------------------|-----|
| 1 | 5011A513 | Clutch, Main Base | 1 |
| 2 | 5012W206 | Lock Dog | 1 |
| 3 | 5011A520 | Assembly, Chain Tightener | 1 |
| 4 | 5011A511 | Brake Arm, Drum | 1 |
| 5 | 5011W016 | Clutch Back Plate | 1 |
| 6 | Z31403 | Spring 25mm x 178mm x 0.105 | 2 |
| 7 | Z72231 | Hex Lock Nut 3/8NC | 2 |
| 8 | Z72252 | Hex Lock Nut 1/2NF | 3 |
| 9 | Z72261 | Hex Lock Nut 5/8NC | 2 |
| 10 | Z72281 | Hex Lock Nut 7/8NC | 1 |
| 11 | Z75151 | Cap Screw 1/2NF x 2 | 3 |
| 12 | Z71555 | Hex Bolt 1/2NC x 5-1/2 | 1 |
| 13 | Z72451 | Hex Jam Lock Nut, 1/2NC | 1 |
| 14 | Z71307 | Hex Bolt 3/8NC x 3/4 | 2 |
| 15 | Z71615 | Hex Bolt 5/8NC x 1-1/2 | 2 |

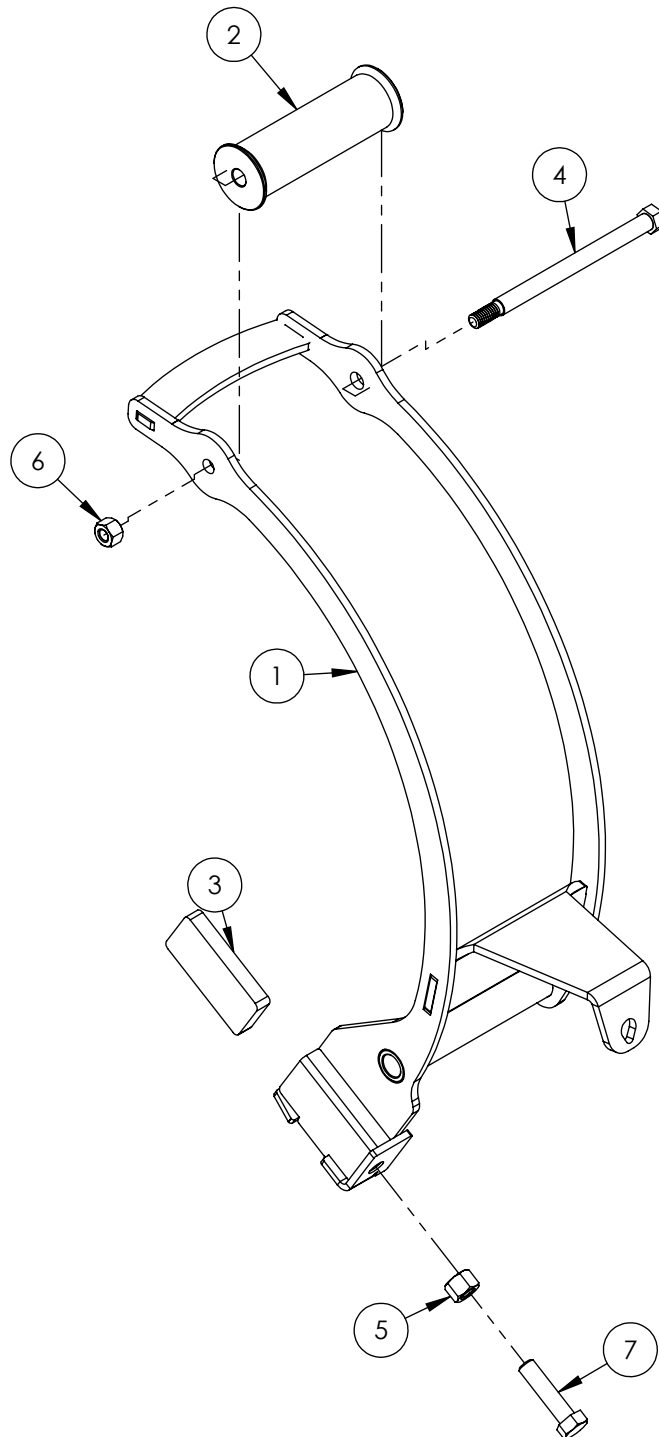


FX65 CABLE DRUM PARTS BREAKDOWN II

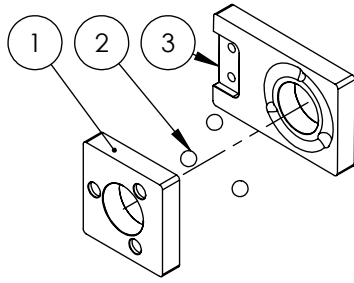
| ITEM | PART NO. | DESCRIPTION | QTY |
|------|----------|----------------------------|-----|
| 1 | 5011A513 | Clutch, Main Base | 1 |
| 2 | 5011A512 | Main Drum | 1 |
| 3 | 5011A510 | Sprocket | 1 |
| 4 | 5011A518 | Engagment Lever | 1 |
| 5 | 5012A204 | Clutch Assembly | 1 |
| 6 | 5012M214 | Main Drum Shaft | 1 |
| 7 | Z34101 | Cup Spring, 2-3/4 | 3 |
| 8 | Z71212 | Hex Bolt 5/16NC x 1-1/4 | 2 |
| 9 | Z42152 | Roller Chain, #60x74 links | 1 |

FX65 BRAKE ARM ASSEMBLY

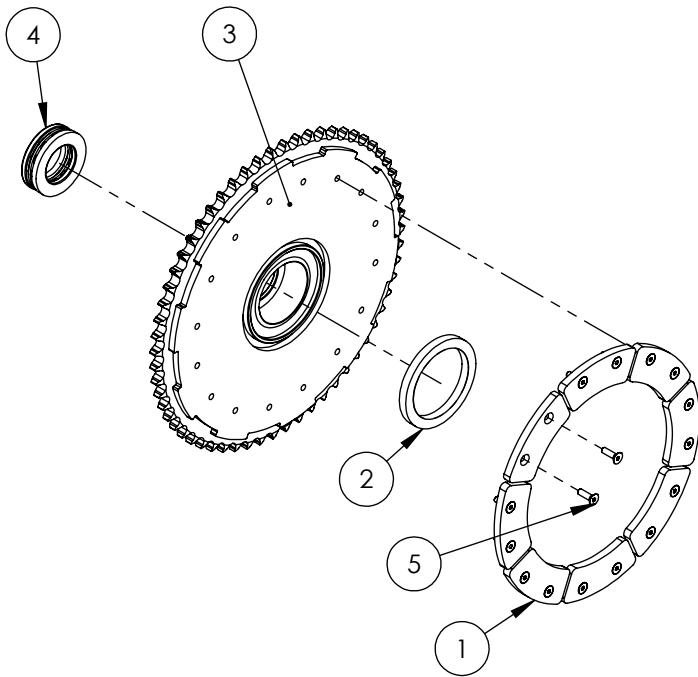
| ITEM | PART NO. | DESCRIPTION | QTY |
|------|----------|------------------------|-----|
| 1 | 5011W007 | Arm Frame, Anti-Tangle | 1 |
| 2 | 5011S155 | Roller, Brake Arm | 1 |
| 3 | 5012M204 | Block, Drum Brake | 1 |
| 4 | 5011M824 | Pin, Cable Roller | 1 |
| 5 | Z72231 | Hex Lock Nut 3/8NC | 1 |
| 6 | Z72221 | Hex Lock Nut 5/16NC | 1 |
| 7 | Z71315 | Hex Bolt 3/8NC x 1-1/2 | 1 |



CLUTCH ASSEMBLY



| ITEM | PART NO. | DESCRIPTION | QTY |
|------|----------|--------------------------------|-----|
| 1 | 5012M212 | Clutch Engagmet Nut | 1 |
| 2 | Z29101 | Roller Ball, 1/2 | 3 |
| 3 | 5012M213 | Clutch, Engagment Block-Handle | 1 |

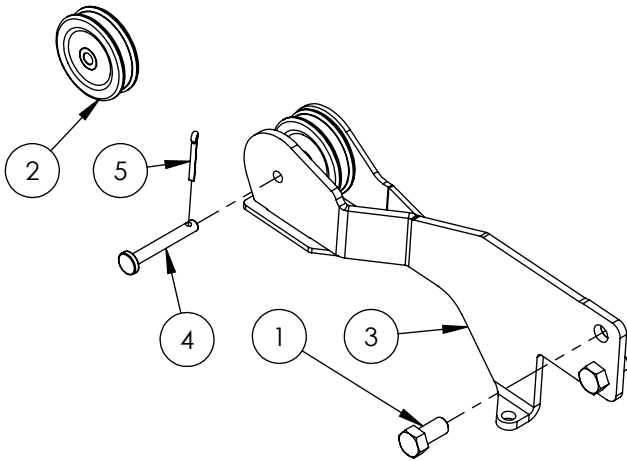


FX65 SPROCKET ASSEMBLY

| ITEM | PART NO. | DESCRIPTION | QTY |
|------|----------|----------------------------|-----|
| 1 | 5011S152 | Pad, Sprocket | 8 |
| 2 | 5012M228 | Nylon Bearing Washer | 1 |
| 3 | 5012W209 | 60 Tooth Sprocket | 1 |
| 4 | Z22101 | Thrust Bearing, 1-3/4 Bore | 1 |
| 5 | Z75211 | FHCS, 1/4NC x 7/8 | 16 |

FX65 ENGAGEMENT LEVER ASSEMBLY

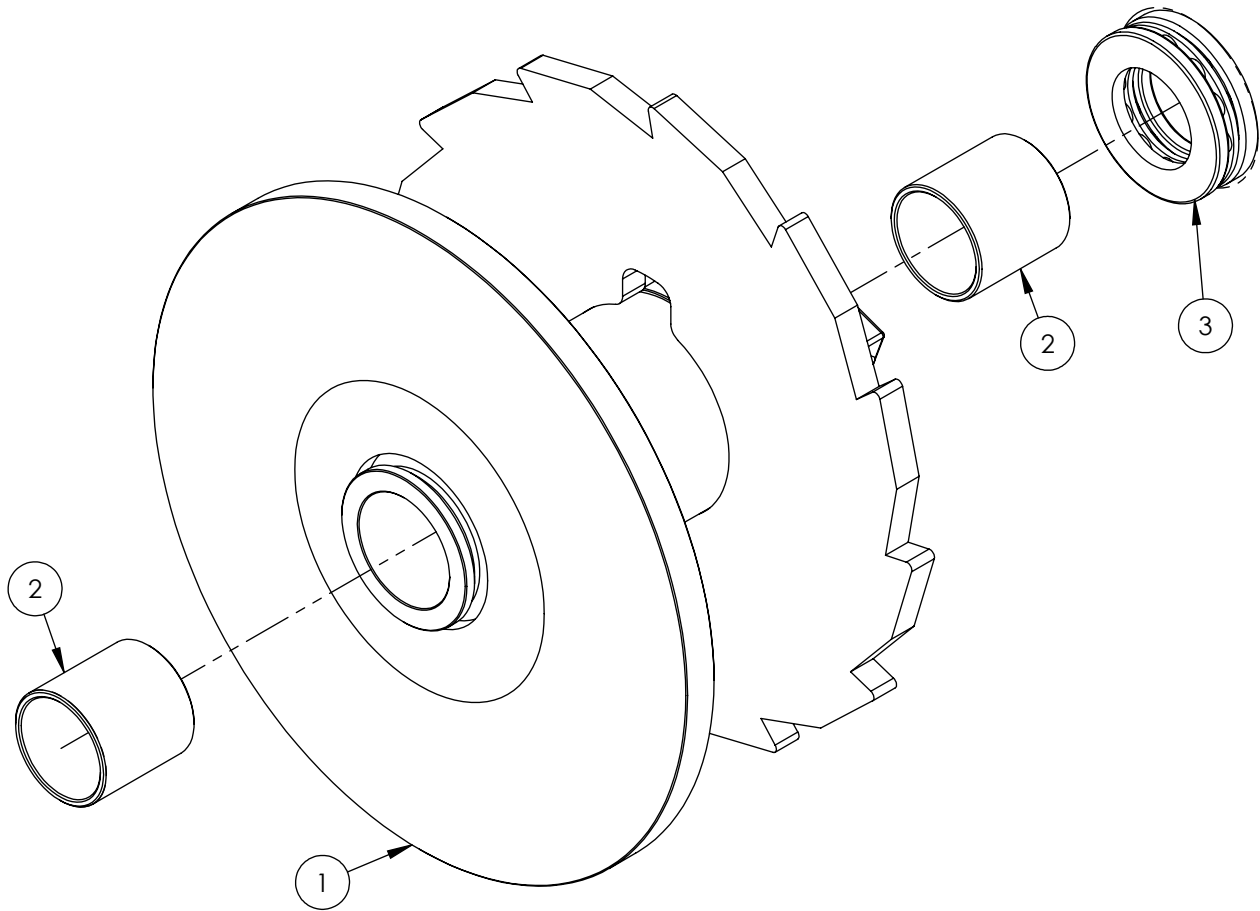
| ITEM | PART NO. | DESCRIPTION | QTY |
|------|----------|---------------------------|-----|
| 1 | Z71307 | Hex Bolt 3/8NC x 3/4 | 2 |
| 2 | Z92203 | 1/4 Groove Pulley 2 Diam. | 2 |
| 3 | 5011W015 | Arm, Clutch Activator | 1 |
| 4 | Z11312 | Clevis Pin 1/4 x 1-5/8 | 1 |
| 5 | Z12311 | Cotter Pin 1/8 X 1 | 1 |



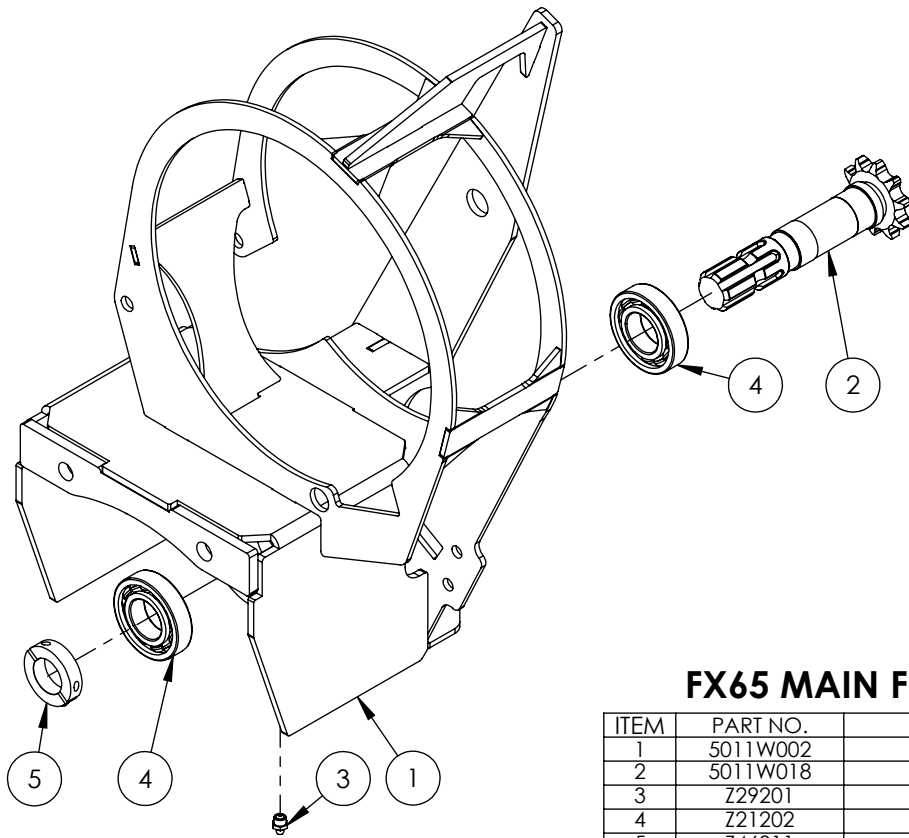
This Page is Intentionally Blank

FX65 MAIN DRUM ASSEMBLY

| ITEM | PART NO. | DESCRIPTION | QTY |
|------|----------|------------------------------|-----|
| 1 | 5011W006 | Main Drum Spool | 1 |
| 2 | Z27101 | Fiberglide Bearing 1-3/4 x 2 | 2 |
| 3 | Z22101 | Thrust Bearing, 1-3/4 Bore | 1 |

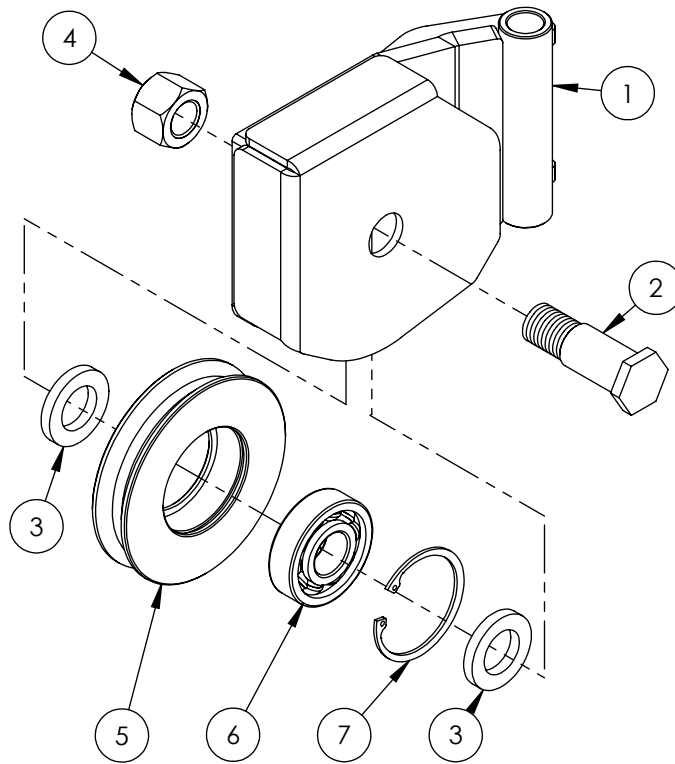


This Page is Intentionally Blank



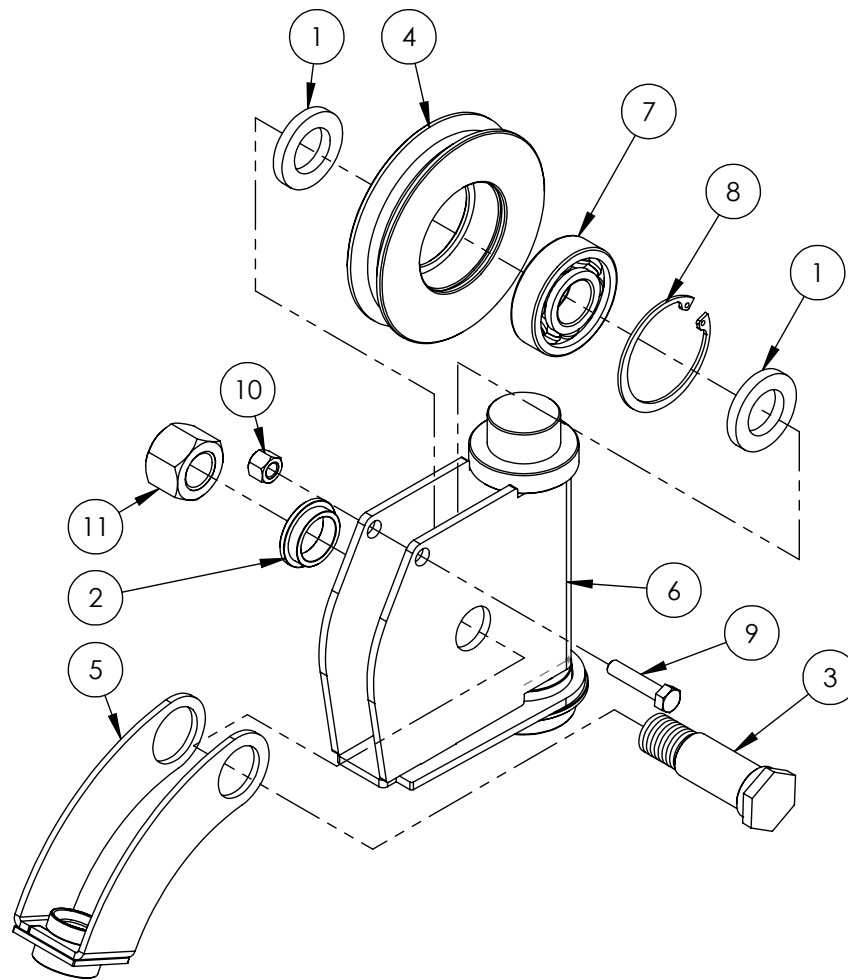
FX65 MAIN FRAME ASSEMBLY

| ITEM | PART NO. | DESCRIPTION | QTY |
|------|----------|------------------------|-----|
| 1 | 5011W002 | Frame, Main Clutch | 1 |
| 2 | 5011W018 | PTO Spline | 1 |
| 3 | Z29201 | Grease Fitting, 1/8NPT | 1 |
| 4 | Z21202 | Ball Bearing 6207-RS | 2 |
| 5 | Z46311 | Clamp-on Shaft Collar | 1 |



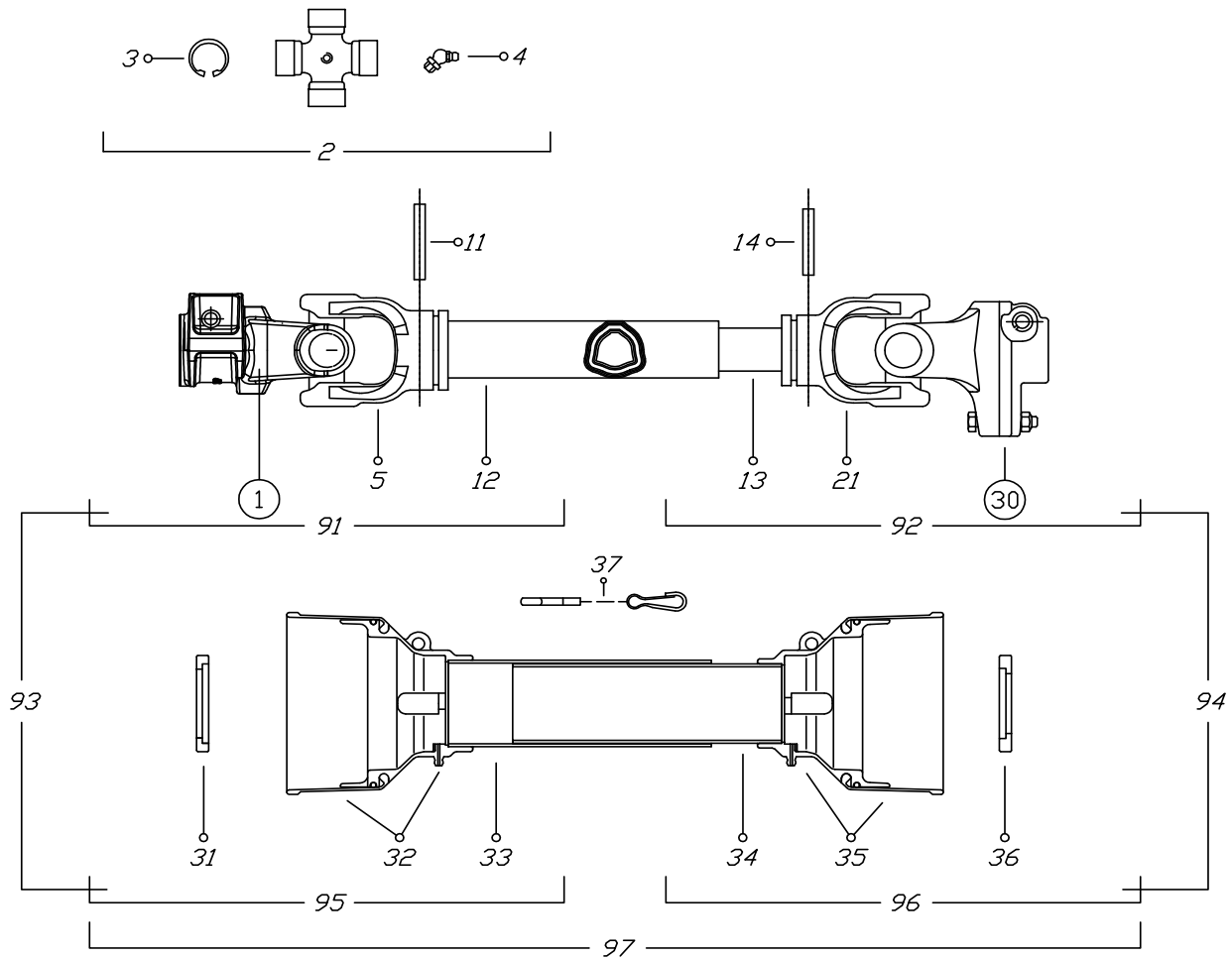
FX65 LOWER SNATCH BLOCK

| ITEM | PART NO. | DESCRIPTION | QTY |
|------|----------|--------------------------------|-----|
| 1 | 5011W012 | Frame, Snatchblock | 1 |
| 2 | 5011M815 | Snatch Block, Pulley Pin | 1 |
| 3 | 5011L647 | Washer, Pulley Spacer - Narrow | 2 |
| 4 | Z72281 | Hex Lock Nut 7/8NC | 1 |
| 5 | 5011M816 | Cable Pulley | 1 |
| 6 | Z21201 | Ball Bearing 6305 RS | 1 |
| 7 | Z46101 | Internal Retaining Ring 2-7/16 | 1 |

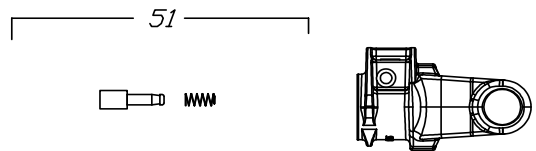


FX65 TOP CABLE PULLEY ASSEMBLY

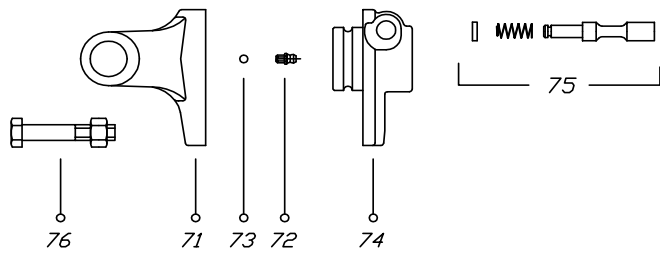
| ITEM | PART NO. | DESCRIPTION | QTY |
|------|----------|--------------------------------|-----|
| 1 | 5011L647 | Washer, Pulley Spacer - Narrow | 2 |
| 2 | 5011M813 | Cable Guide Swing Bushing | 1 |
| 3 | 5011M814 | Top Pulley Pin | 1 |
| 4 | 5011M816 | Cable Pulley | 1 |
| 5 | 5011W008 | Cable Guide | 1 |
| 6 | 5011W011 | Frame, Top Pulley | 1 |
| 7 | Z21201 | Ball Bearing 6305 RS | 1 |
| 8 | Z46101 | Internal Retaining Ring 2-7/16 | 1 |
| 9 | Z71215 | Hex Bolt, 5/16NC x 1-1/2 | 1 |
| 10 | Z72231 | Hex Lock Nut 3/8NC | 1 |
| 11 | Z72281 | Hex Lock Nut 7/8NC | 1 |



①



③①



VIETATE LE RIPRODUZIONI NON AUTORIZZATE
NOT PERMITTED AL RIGHTS RESERVED

TOUTE REPRODUCTION NON AUTORISEE EST INTERDITE
NICHT GENEHMIGTE VERVIELFALTIGUNGEN SIND UNZULAESSIG

CODICE C.E.D.
B4080EA60098

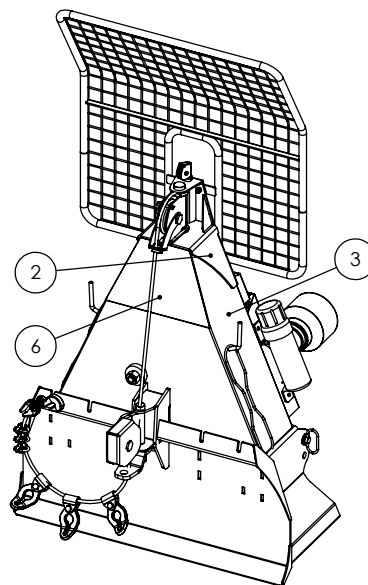
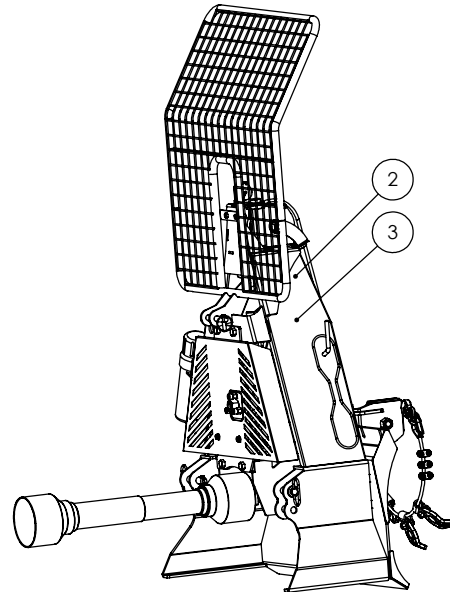
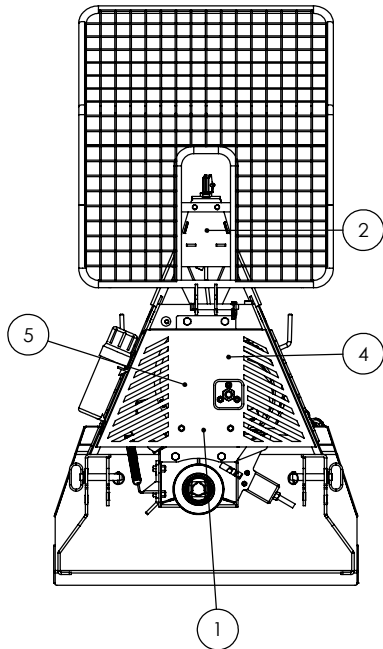
DATA
19/02/08

BINACCHI SPARE PARTS LIST : B4080EA60098

| POS. | DESCRIPTION | Q. | Part # |
|-------------|-------------------------|-----------|---------------|
| 01 | YOKE | 1 | 0800403 |
| 02 | CROSS JOURNAL ASS. | 2 | 08204 |
| 03 | CIRCLIP | 8 | 09802027 |
| 04 | GREASE NIPPLE | 2 | 09840081002 |
| 05 | OUTER TUBE YOKE | 1 | 08004021 |
| 11 | FLEXIBLE PIN | 1 | 098700860 |
| 12 | CM. 100 CARDAN TUBE(*) | 1 | 09881433100 |
| 13 | CM. 100 CARDAN TUBE(*) | 1 | 09881364100 |
| 14 | FLEXIBLE PIN | 1 | 098700855 |
| 21 | INNER TUBE YOKE | 1 | 08004011 |
| 30 | SHEAR BOLT LB4 | 1 | 08804 |
| 31 | OUTER BEARING | 1 | 0265140007 |
| 32 | OUTER BASIC CONE | 1 | 0256040324 |
| 33 | OUTER SAFETY TUBE | 1 | 0988966B4080 |
| 34 | INNER SAFETY TUBE | 1 | 0988961B4080 |
| 35 | INNER BASIC CONE | 1 | 0256040325 |
| 36 | INNER .BEARING | 1 | 0265140008 |
| 37 | CHAIN | 1 | 0252000001 |
| 51 | COMPLTE PUSH BUTTON | 1 | 0986014047 |
| 71 | YOKE FOR LB4 | 1 | 08896904 |
| 72 | GREASE NIPPLE | 1 | 0984010150 |
| 73 | STEEL BALL | 23 | 098680104 |
| 74 | HUB | 1 | 088964A60 |
| 75 | PUSH PIN SET | 1 | 0986014075 |
| 76 | NUT AND BOLT | 1 | 099008050B |
| 91 | OUTER HALF SHAFT | 1 | B408002 |
| 92 | INNER HALF SHAFT | 1 | B408001098 |
| 93 | OUTER HALF SHAFT | 1 | B4080E2 |
| 94 | INNER HALF SHAFT | 1 | B4080E1098 |
| 95 | OUTER HALF SAFETY GUARD | 1 | 083E040802 |
| 96 | INNER HALF SAFETY GUARD | 1 | 083E040801 |
| 97 | SAFETY GUARD | 1 | 083E04080 |

FX65 SKIDDING WINCH DECAL BREAKDOWN

| ITEM | PART NO. | DESCRIPTION | QTY |
|------|----------|---------------------------|-----|
| 1 | Z94042 | Rotating Driveline Hazard | 1 |
| 2 | Z94019 | Made in Canada | 3 |
| 3 | Z94043 | Flying Object Hazard | 2 |
| 4 | Z94058 | Clutch Adjustment | 1 |
| 5 | Z94041 | Read Manual | 1 |
| 6 | Z94004 | FX65 - Wallenstein | 1 |



FX65 Decals

Z94042



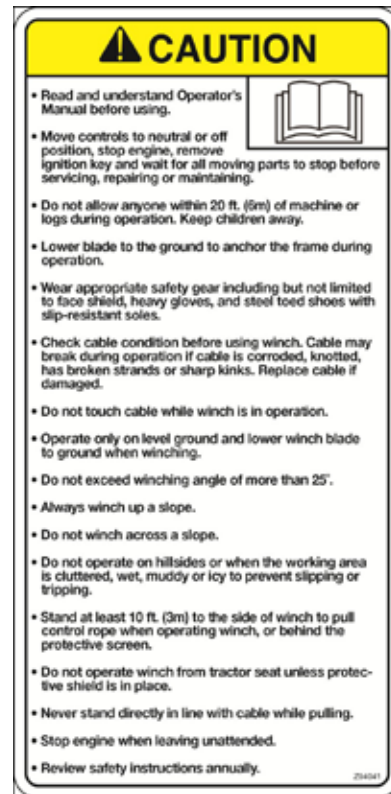
Z94043



Z94004



Z94041



Z94058



Z94019





WALLENSTEIN Products Manufactured by:

EMB MFG Inc.

4144 Boomer Line
St. Clements, Ontario
Canada N0B 2M0
Phone: 1-877-695-9283
Fax: 519-699-4146
www.embmfg.com