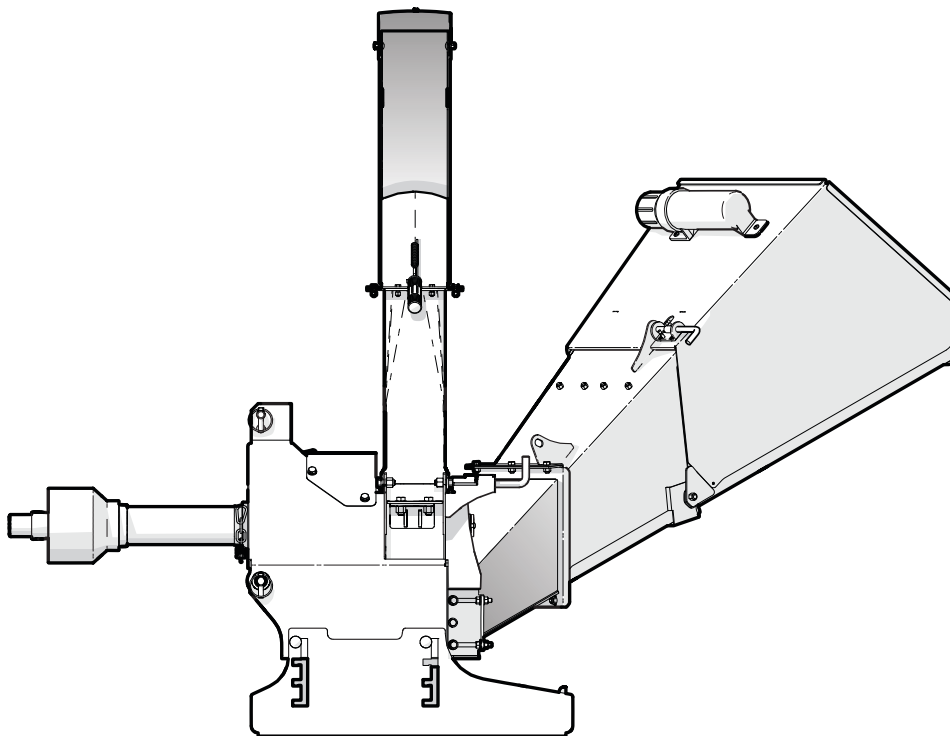


# PARTS MANUAL

---

Serial number 152S00002 to 152S04163, 1100000 and up

## BX52S Wood Chipper



# Table of Contents

**Introduction .....3**  
**Model and Serial Number Location.....3**  
**Upper Rotor Housing .....4**  
**Upper Rotor Housing .....5**  
**Discharge Chute.....6**  
**Rotor Assembly .....7**  
**Lower Rotor Housing .....8**  
**Chipper Hopper.....9**  
**Ledger Knife Components.....10**  
**Label Locations - Left Side .....11**  
**Label Locations - Right Side.....12**  
**Accessories .....13**  
**Bolt Torque .....14**

## Introduction

### **! WARNING!**

For safety, operation, and maintenance information, see the Operator’s Manual for your product.

Only qualified people are approved to maintain the machine.

### **! WARNING!**

Replace all safety labels that are missing, damaged, or illegible. If a component is replaced and it has a safety label on it, apply a safety label to the new component. If a person operates a machine with missing, damaged, or illegible safety labels it puts them at risk of serious injury or death.

W100

This document provides information about the original equipment manufacturer (OEM) components (parts). Always replace a part with the correct OEM part. For service, support, or to order parts, contact your local Wallenstein Equipment dealer or distributor.

Always provide the model and serial number of your Wallenstein product when you order parts, or request service or other information. The model and serial number location is shown in the following illustration.

Record the model and serial number of your product here:

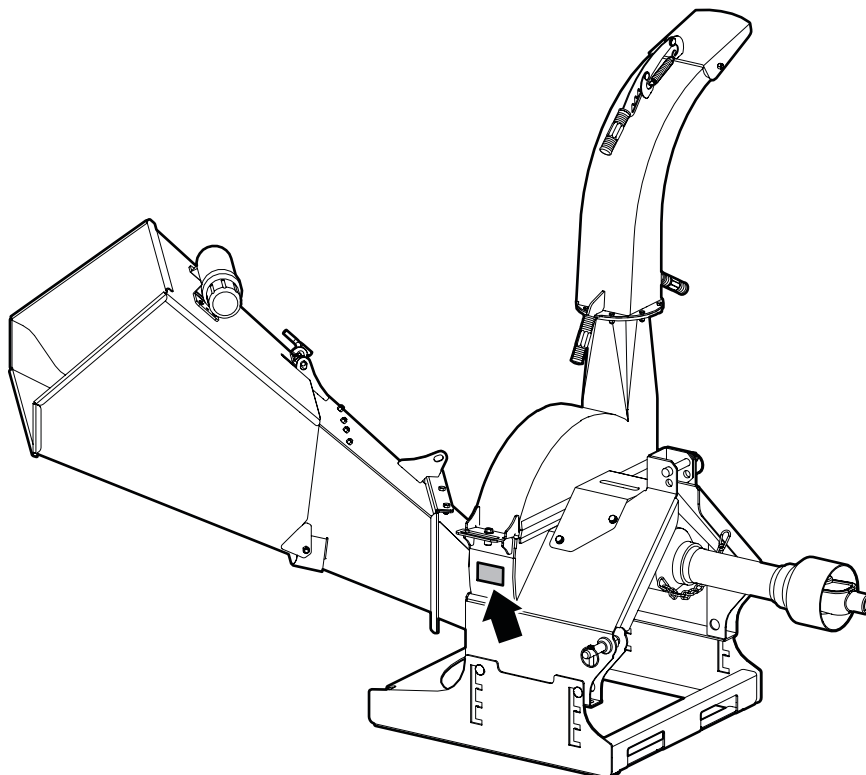
<b>Model</b>	
<b>Serial Number</b>	

The information contained in this document was current at the revision date noted on the bottom of each page. Wallenstein Equipment reserves the right to change product specifications at any time without notice. If your product specifications are different from the information in this document, contact your local dealer or distributor. To find a local dealer or distributor, go to [WallensteinEquipment.com](http://WallensteinEquipment.com) and select **Dealer Locator** at the bottom of the page.

**Wallenstein Equipment Inc. • © 2024. All rights reserved.**

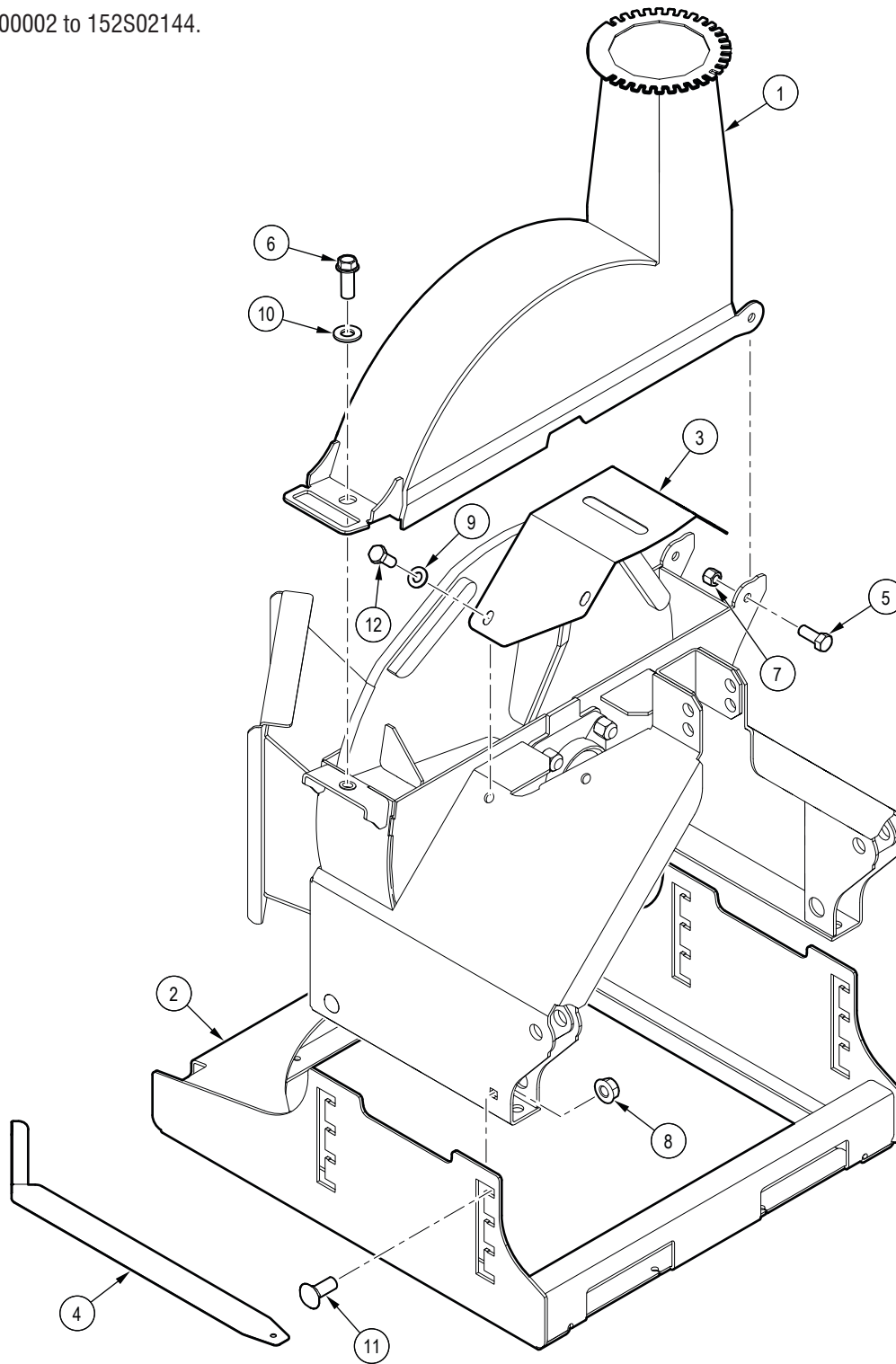
No part of this work may be copied, reproduced, replaced, distributed, published, displayed, modified, or transferred in any form or by any means except with the prior permission of Wallenstein Equipment Inc.

## Model and Serial Number Location



# Upper Rotor Housing

Serial number 152S00002 to 152S02144.

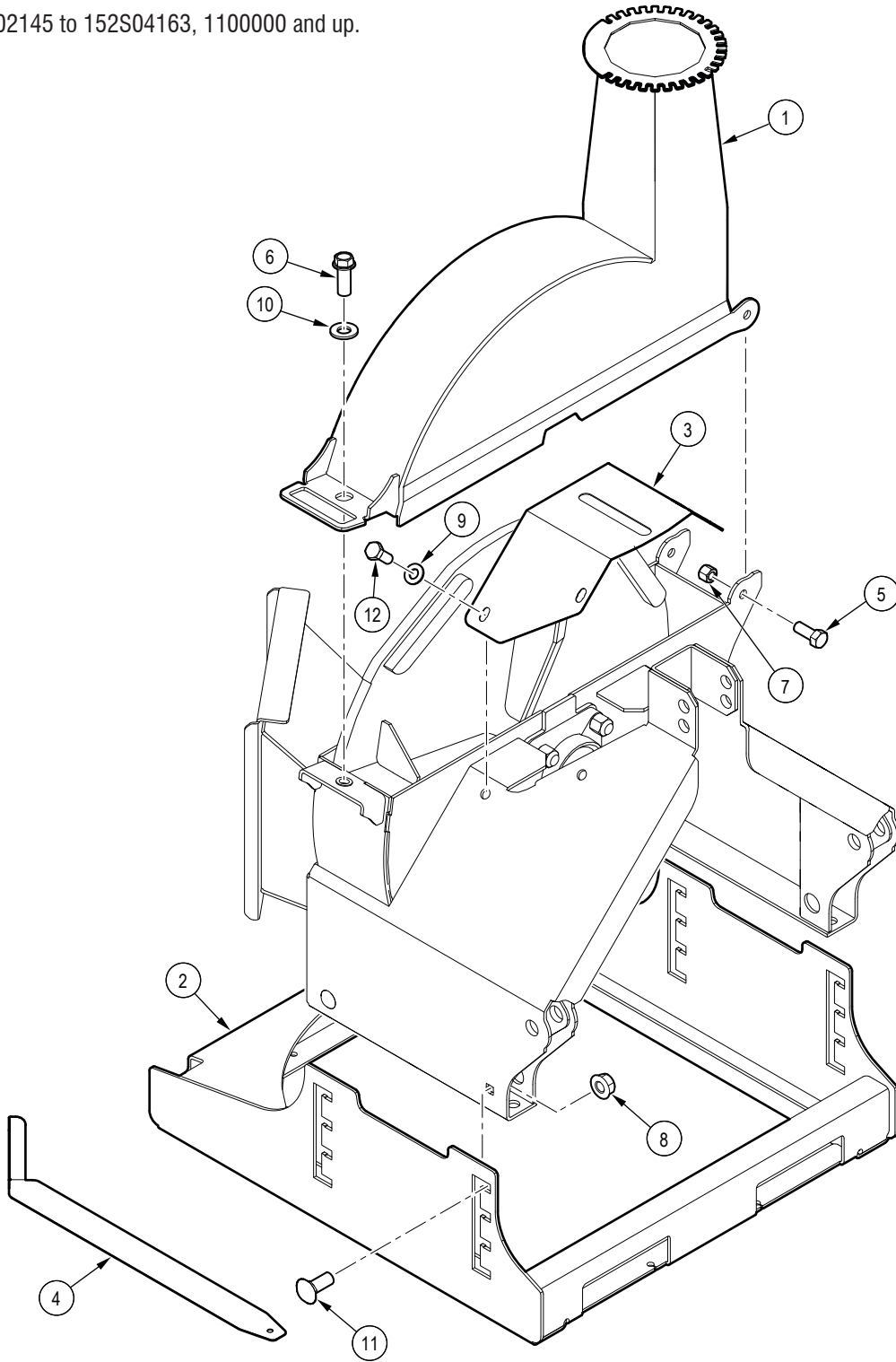


Item	Part number	Description	Quantity
1	1024W104	Upper Rotor Housing	1
2	1024W105	Adjustable Ski Base	1
3	1024L154	PTO Guard	1
4	1012L269	Gauge, Ledger Setting	1
5	Z71512	Hex Bolt, 1/2NC x 1-1/4"	2
6	Z71517	Hex Bolt, 1/2NC x 1-3/4"	1

Item	Part number	Description	Quantity
7	Z72251	Hex Lock Nut, 1/2NC	2
8	Z72551	Serrated Flange Locknut, 1/2NC	4
9	Z73131	SAE Washer, 3/8"	4
10	Z73151	SAE Washer, 1/2"	1
11	Z76259	Carriage Bolt, 1/2NC x 1-1/4"	4
12	Z77162	Hex Bolt, M10x1.5 x 25mm	4

# Upper Rotor Housing

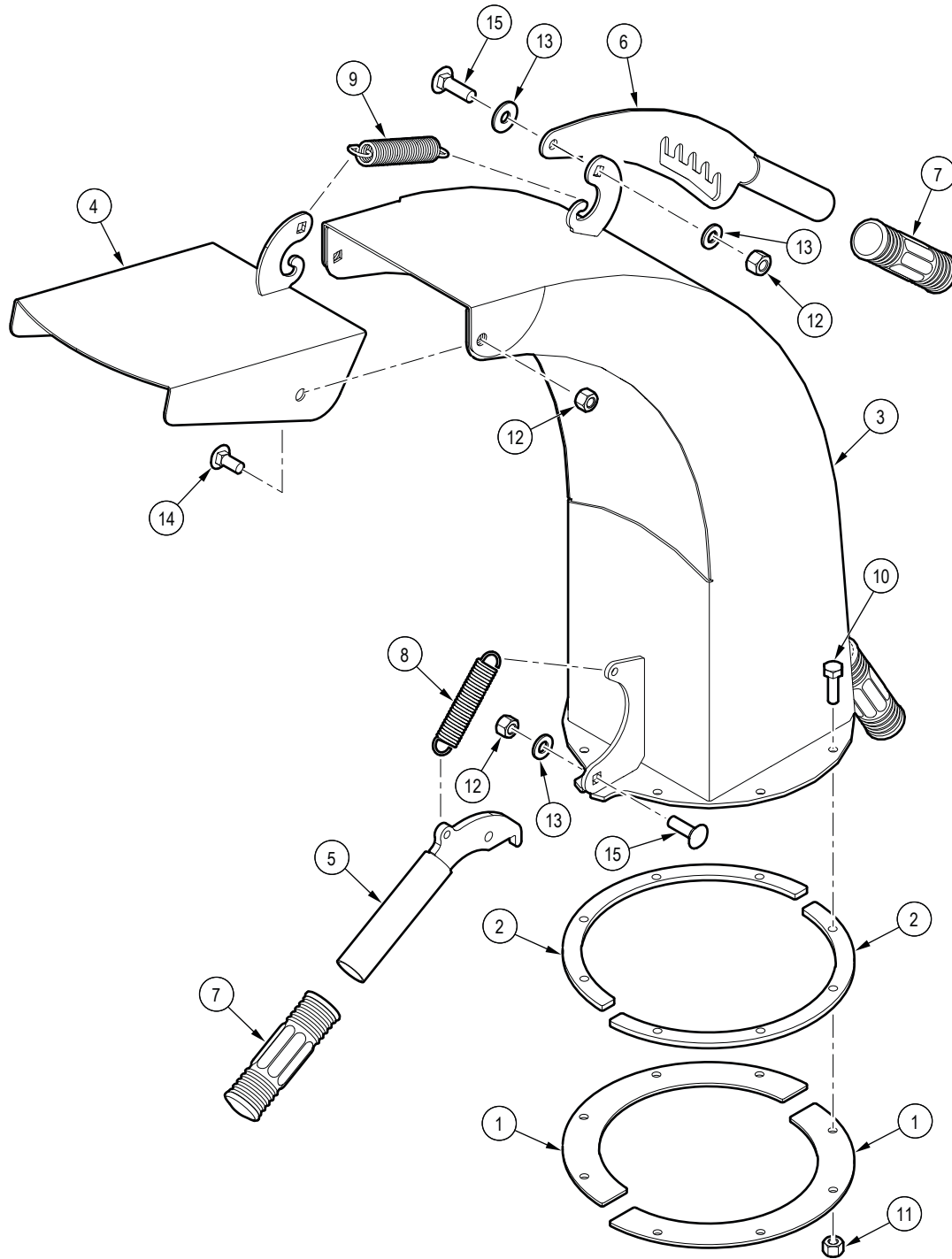
Serial number 152S02145 to 152S04163, 1100000 and up.



Item	Part number	Description	Quantity
1	1024W104	Upper Rotor Housing	1
2	1024W105	Adjustable Ski Base	1
3	1024L167	PTO Guard	1
4	1012L269	Gauge, Ledger Setting	1
5	Z71512	Hex Bolt, 1/2NC x 1-1/4"	2
6	Z71517	Hex Bolt, 1/2NC x 1-3/4"	1

Item	Part number	Description	Quantity
7	Z72251	Hex Lock Nut, 1/2NC	2
8	Z72551	Serrated Flange Locknut, 1/2NC	4
9	Z73131	SAE Washer, 3/8"	4
10	Z73151	SAE Washer, 1/2"	1
11	Z76259	Carriage Bolt, 1/2NC x 1-1/4"	4
12	Z77162	Hex Bolt, M10x1.5 x 25mm	4

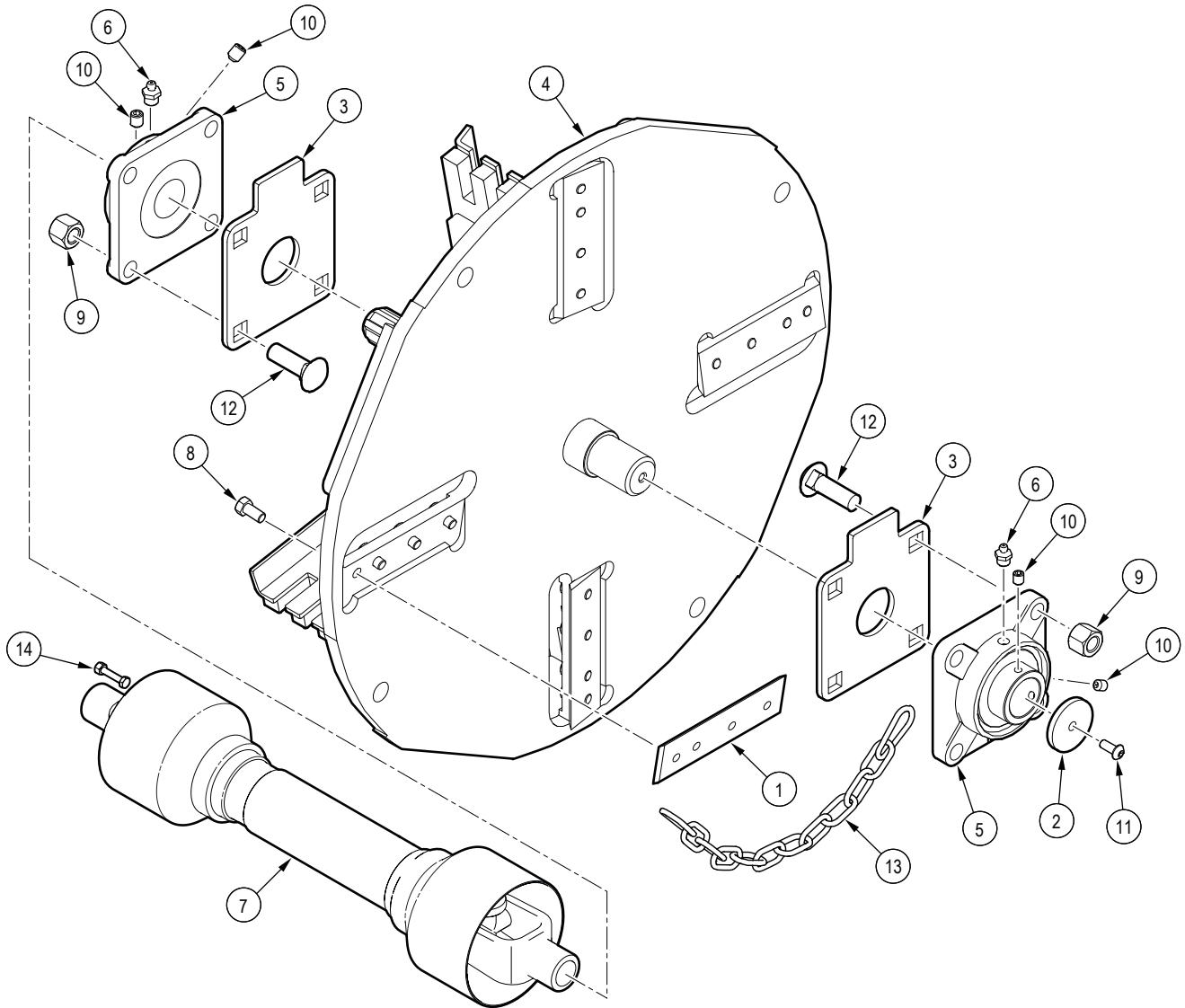
# Discharge Chute



Item	Part number	Description	Quantity
1	1024L133	Hood Capture Ring	2
2	1024L134	Spacer Ring	2
3	1024W106	Discharge Chute	1
4	1024W107	Discharge Deflector	1
5	1024W108	Discharge Latch	1
6	1024W109	Discharge Adjustor	1
7	Z19321	Grip, 1" x 5"	3
8	Z31305	Ext Spring, 5/8" OD x 3" x 0.08"	1

Item	Part number	Description	Quantity
9	Z31401	Ext Spring, 3/4" OD x 4" x 0.105"	1
10	Z71108	Hex Bolt, 1/4NC x 7/8"	8
11	Z72211	Hex Lock Nut, 1/4NC	8
12	Z72221	Hex Lock Nut, 5/16NC	2
13	Z73122	SAE Washer, 5/16"	3
14	Z76221	Carriage Bolt, 5/16NC x 0.75"	2
15	Z76225	Carriage Bolt, 5/16NC x 1"	3

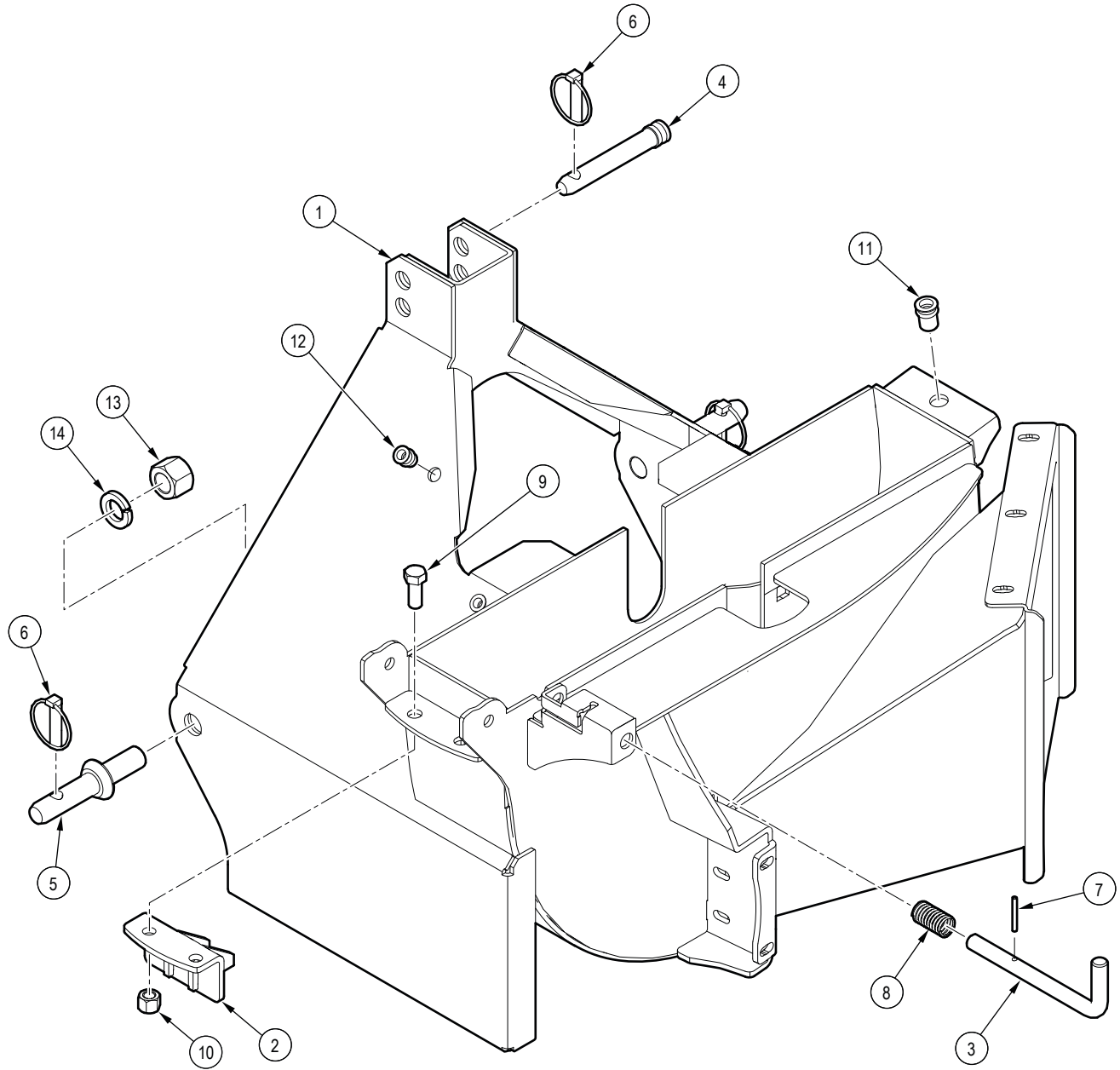
# Rotor Assembly



Item	Part number	Description	Quantity
1	1011M103	Rotor Knife, 4"	4
2	1021S102	Rotation Indicator Cover	1
3	1024L107	Bearing Plate, BX52	2
4	1024W101	Rotor, 5" Capacity	1
5	Z25204	4-Bolt Flange Bearing, 1-1/2" Bore	2
6	Z29201	Grease Fitting, 1/8NPT	2
7	Z44504	PTO Shaft	1
8	Z71373G8	Hex Bolt, 3/8NF x 3/4 G8	16

Item	Part number	Description	Quantity
9	Z72261G8	Hex Lock Nut, 5/8NC G8	8
10	Z74122	Set Screw, 5/16NF x 3/8"	4
11	Z75351	BHCS, 5/16NF x 3/4"	1
12	Z76261G8	Carriage Bolt, 5/8NC x 2" G8	8
13	Z92310	Chain 3/16"x12" double hook ends	1
14	Z19407	Shearbolt, M10x1.5X55 mm G10.9 with locknut (package of 5)	1

# Lower Rotor Housing

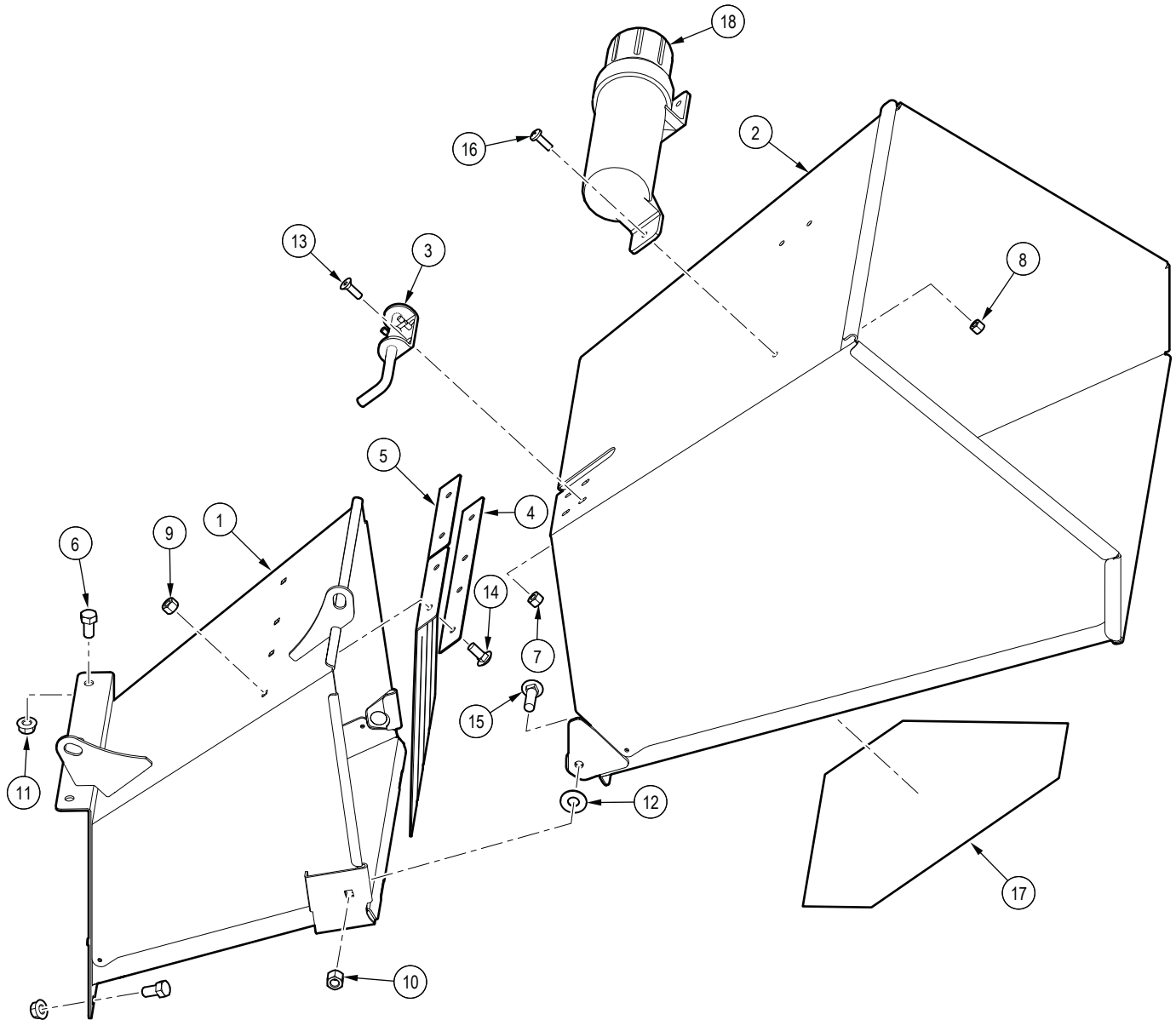


Item	Part number	Description	Quantity
1	1024W102	Lower Rotor Housing	1
2	1024W103	Twig Breaker, BX52	1
3	1026M102	L-Handled Plunger, Compact	1
4	Z11122	Toplink Pin, 3/4" x 3-7/8"	1
5	Z11431	Implement Pin, 7/8" x 1-3/4" x 7/8NF	2
6	Z12140	Linchpin, 7/16"	3
7	Z14151	Roll Pin, 3/16" x 1-1/2"	1

Item	Part number	Description	Quantity
8	Z32305	Compression Spring, 0.845" OD x 3-1/2" x 0.085"	1
9	Z71512	Hex Bolt, 1/2NC x 1-1/4"	2
10	Z72251	Hex Lock Nut, 1/2NC	2
11	Z72960-1	Rivet Nut, 1/2NC x 200	1
12	Z77940	Rivet Nut, M10x1.5 x 313	4
13	Z72282	Hex Lock Nut, 7/8NF	2
14	Z73381	Split Lock Washer, 7/8"	2



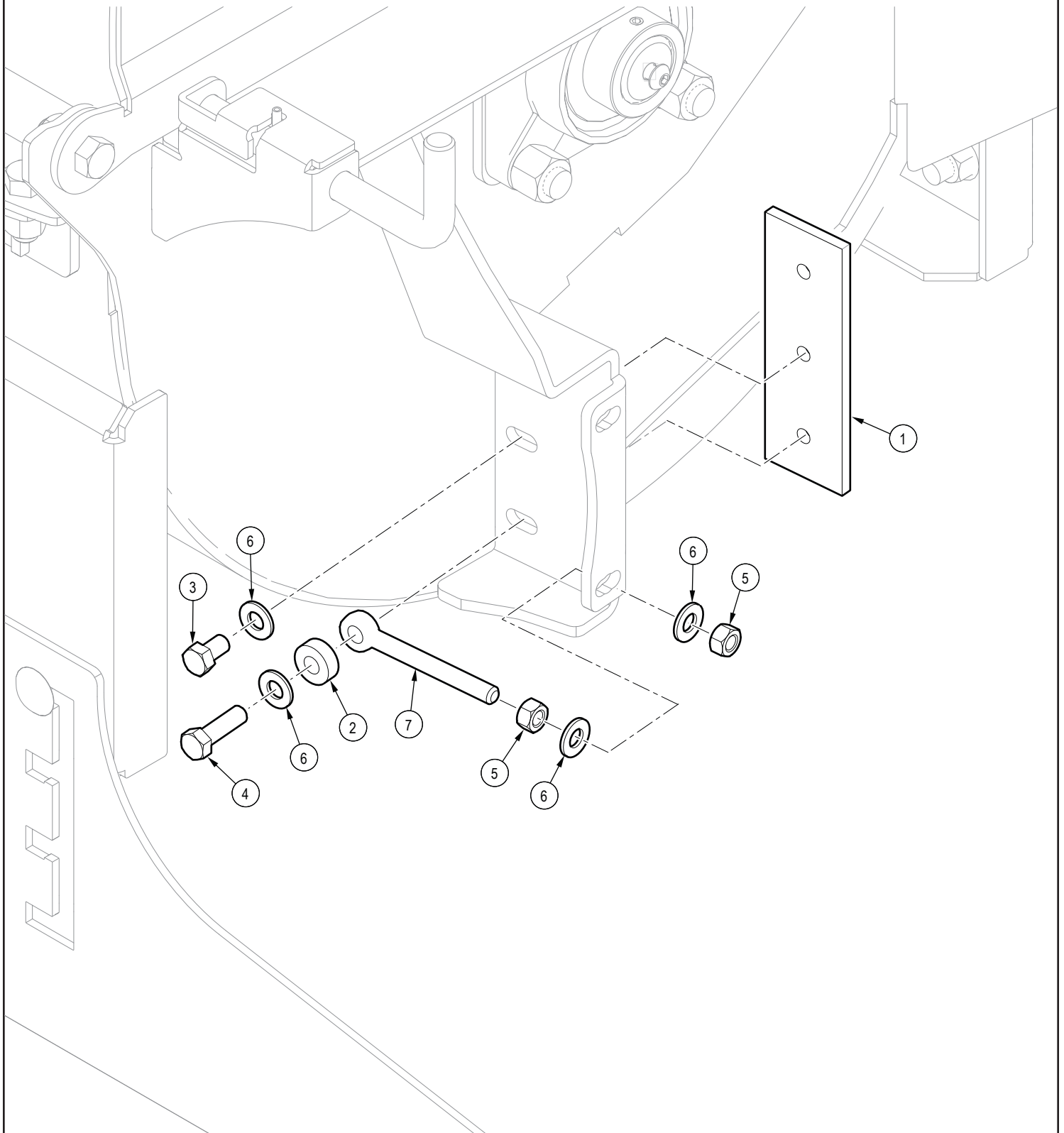
# Chipper Hopper



Item	Part number	Description	Quantity
1	1024W110	Mid Hopper	1
2	1024W111	Folding Hopper	1
3	Z18207	Spring Latch Pin 1/2 x 1" Stroke	1
4	1024L156	Flap Trap Plate	1
5	1024S108	Hopper Flap	2
6	Z71307	Hex Bolt, 3/8NC x 3/4"	6
7	Z72204	Hex Lock Nut, #10NF	4
8	Z72211	Hex Lock Nut, 1/4NC	3
9	Z72221	Hex Lock Nut, 5/16NC	4

Item	Part number	Description	Quantity
10	Z72231	Hex Lock Nut, 3/8NC	2
11	Z72531	Serrated Flange Locknut, 3/8NC	6
12	Z73233	PTFE Washer, 3/8" x 1/16"	2
13	Z75204	FHCS, #10NF x 5/8"	4
14	Z76221	Carriage Bolt, 5/16NC x 3/4"	4
15	Z76232	Carriage Bolt, 3/8NC x 1-1/4"	2
16	Z78301	Machine Screw, 1/4NC x 3/4"	3
17	Z94601	Slow-Moving Vehicle (SMV) Sign	1
18	Z96503	Manual Tube 3-1/2 Short	1

# Ledger Knife Components



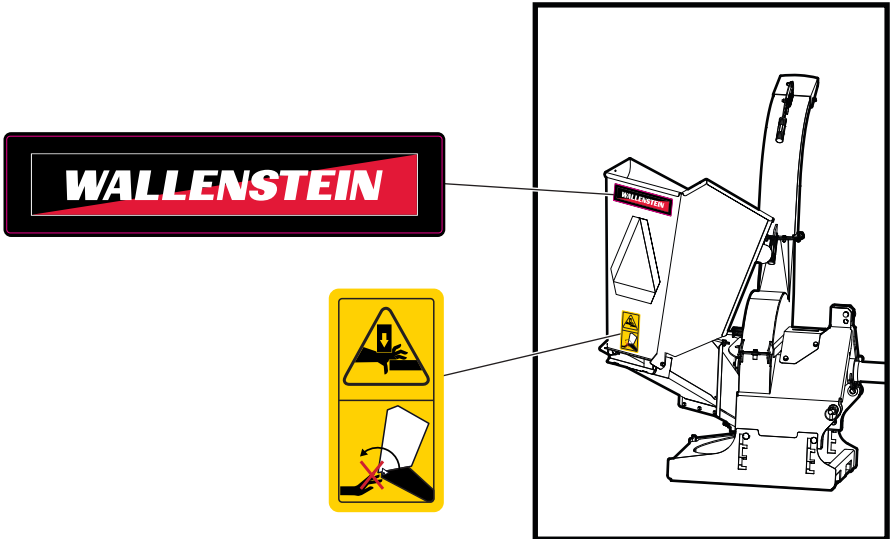
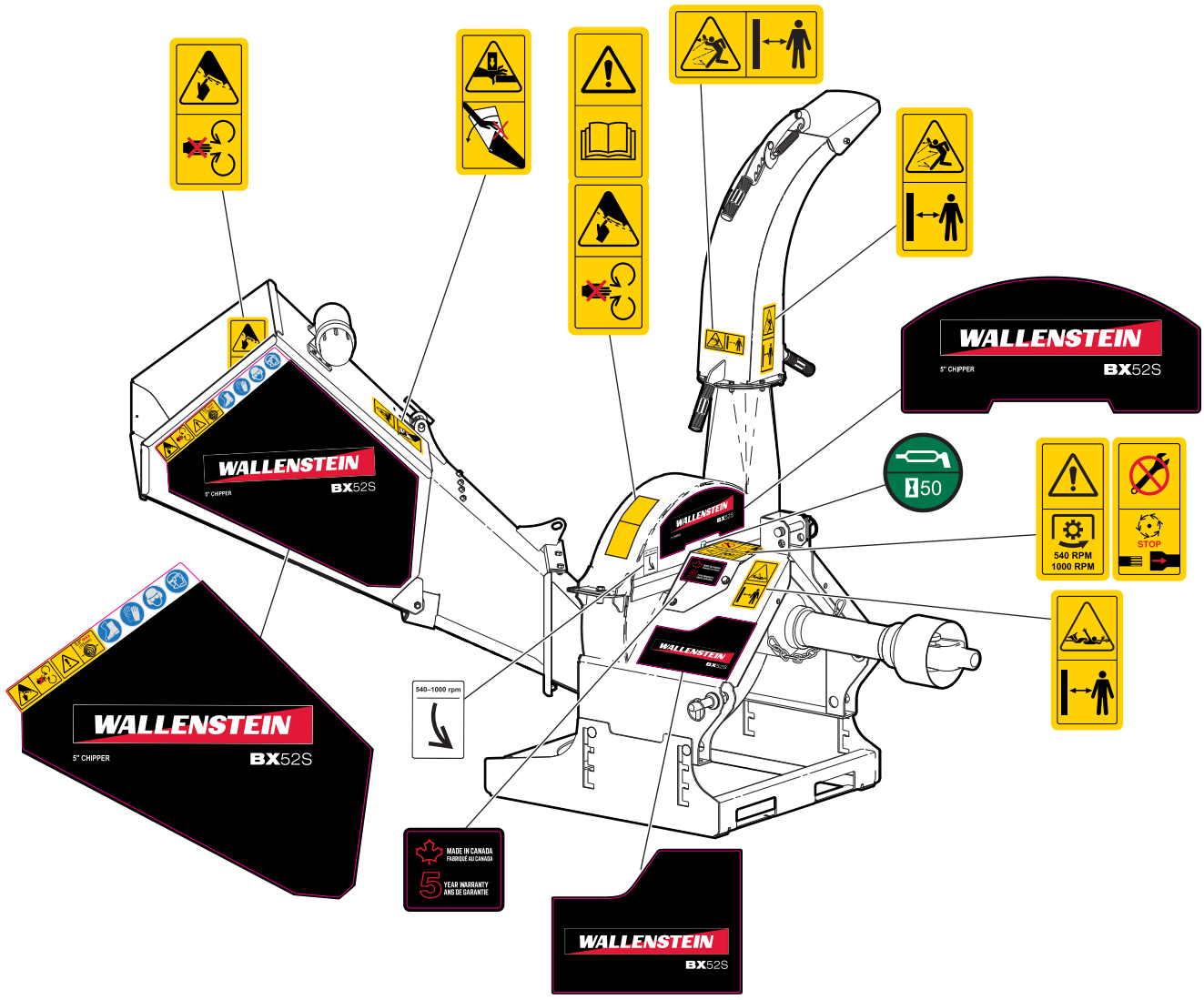
Item	Part number	Description	Quantity
1	1011M104	Knife, 4" Ledger	1
2	1024L124	Ledger Washer	2
3	Z71372G8	Hex Bolt, 3/8NF x 5/8" G8	1
4	Z71379G8	Hex Bolt, 3/8NF x 1-1/4" G8	2

Item	Part number	Description	Quantity
5	Z72131	Hex Nut, 3/8NC	4
6	Z73131	SAE Washer, 3/8"	7
7	Z76534	Rod End, 3/8NC x 3-1/2"	2

# Label Locations - Left Side

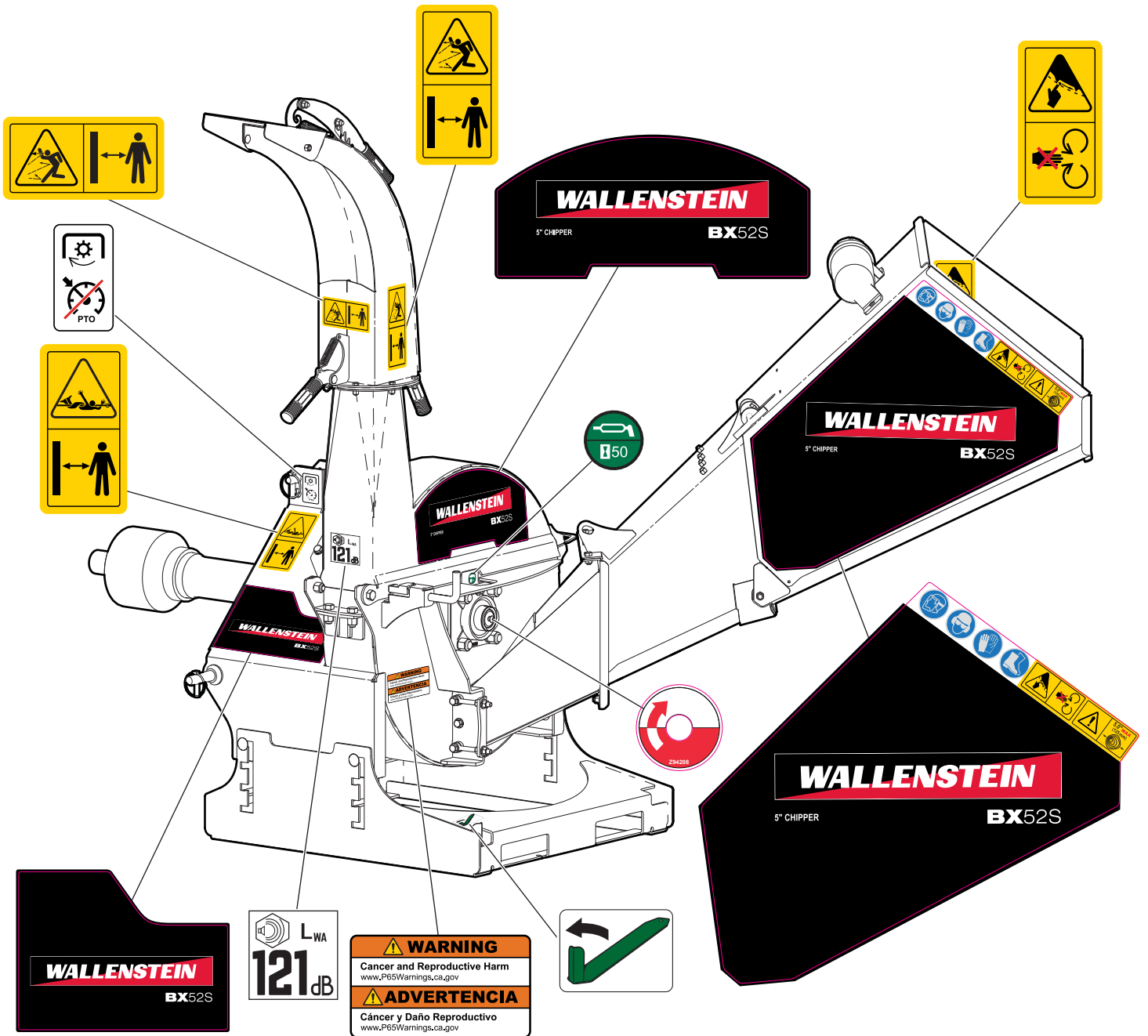
**IMPORTANT! If you replace a part that has a safety label on it, you must apply a new safety label. Immediately replace safety labels that are damaged, have been removed, or are illegible.**

Contact your local Wallenstein Equipment dealer or distributor to order a safety label kit. Labels are not sold individually.



# Label Locations - Right Side

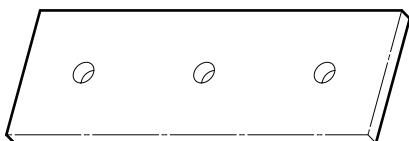
**IMPORTANT!** If you replace a part that has a safety label on it, you must apply a new safety label. Immediately replace safety labels that are damaged, have been removed, or are illegible.



## Accessories

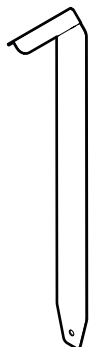
For price and availability, contact your local Wallenstein dealer or distributor.

For accessory installation instructions, go to [WallensteinEquipment.com/Support.aspx](http://WallensteinEquipment.com/Support.aspx), and then select **Accessories**.



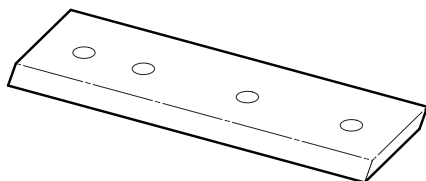
**Ledger Knife**  
**1011M104**

A replacement ledger knife.



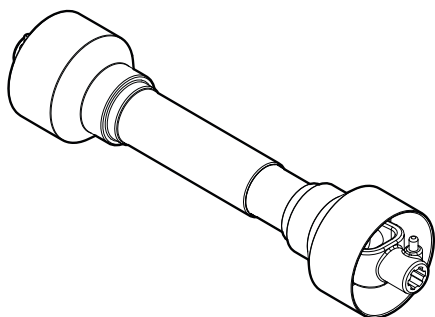
**Ledger Knife Clearance Gauge**  
**1012L269**

Easily set the correct clearance when you change or adjust the ledger knife or rotor knives.



**Reversible Rotor Knife**  
**1011M103**

A replacement reversible rotor knife.



**PTO Shaft (1,000 rpm)**  
**Z44506**

Series B5 x 55-1/4 x 21 spline power take-off shaft.

## Bolt Torque

**IMPORTANT!** If you replace hardware, use fasteners of the same grade.

**IMPORTANT!** The torque specifications in these tables are for non-greased or non-oiled threads. Do not grease or oil fastener threads unless otherwise indicated. When using a thread lock, increase the specified torque 5%.



Bolt grades are identified by the marks on the bolt head.

The bolt torque specification tables provide the correct torque settings for common bolts and capscrews. Tighten all bolts to the torque that is specified in the table, unless otherwise indicated. Check the bolt tightness periodically.

### Imperial Bolt Torque Specifications

Bolt Diameter	Torque					
	SAE Gr. 2		SAE Gr. 5		SAE Gr. 8	
	lbf•ft	N•m	lbf•ft	N•m	lbf•ft	N•m
<b>1/4 inch</b>	6	8	9	12	12	17
<b>5/16 inch</b>	10	13	19	25	27	36
<b>3/8 inch</b>	20	27	33	45	45	63
<b>7/16 inch</b>	30	41	53	72	75	100
<b>1/2 inch</b>	45	61	80	110	115	155
<b>9/16 inch</b>	60	95	115	155	165	220
<b>5/8 inch</b>	95	128	160	215	220	305
<b>3/4 inch</b>	165	225	290	390	400	540
<b>7/8 inch</b>	170	230	420	570	650	880



SAE Gr. 2



SAE Gr. 5



SAE Gr. 8

### Metric Bolt Torque Specifications

Bolt Diameter	Torque			
	Gr. 8.8		Gr. 10.9	
	lbf•ft	N•m	lbf•ft	N•m
<b>M3</b>	0.4	0.5	1.3	1.8
<b>M4</b>	2.2	3	3.3	4.5
<b>M6</b>	7	10	11	15
<b>M8</b>	18	25	26	35
<b>M10</b>	37	50	52	70
<b>M12</b>	66	90	92	125
<b>M14</b>	83	112	116	158
<b>M16</b>	166	225	229	310
<b>M20</b>	321	435	450	610
<b>M30</b>	1,103	1,495	1,550	2,100



8.8



10.9



A large rectangular area containing 25 horizontal lines, providing space for handwritten notes or calculations.



**MAKING WORK FEEL MORE LIKE PLAY™**

[WallensteinEquipment.com](http://WallensteinEquipment.com)

