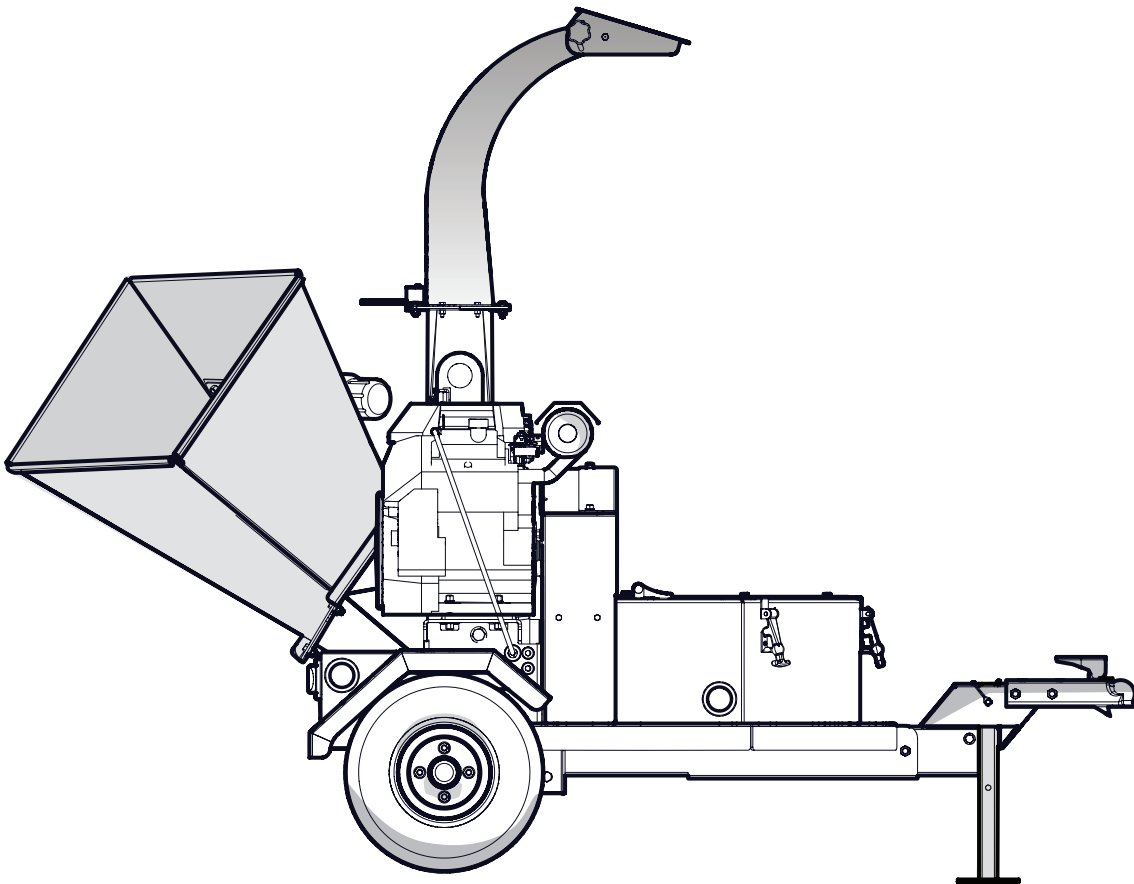


PARTS MANUAL

Serial Number 2E9US1113NS040217 & up

BXT4224 CHIPPER



Foreword

This Wallenstein parts manual is prepared to assist customers in ordering quality OEM replacement parts.

Regular maintenance combined with replacing old, worn or broken parts with the correct OEM parts is essential in prolonging the life of your Wallenstein product. Refer to this manual to identify replacement parts.

To order parts, contact your Wallenstein dealer or distributor. Have the product model and serial number handy.

If your dealer is no longer available, please go to our website: <http://wallensteinequipment.com> and click on the [Dealer Locator](#) to find the nearest dealer.

All information contained in this parts manual is current as per the revision date at the bottom of the page. Wallenstein reserves the right to change product specifications at any time without notice.

If your product specifications differ from those contained in this manual, contact Wallenstein for current information.

Reproduction of information in this parts manual is prohibited without prior written permission from Wallenstein Equipment Inc.

Wallenstein Equipment Inc. • © 2019

WARNING!

Refer to the operators manual for safe operation and maintenance.

Maintenance should be performed by trained personnel only.

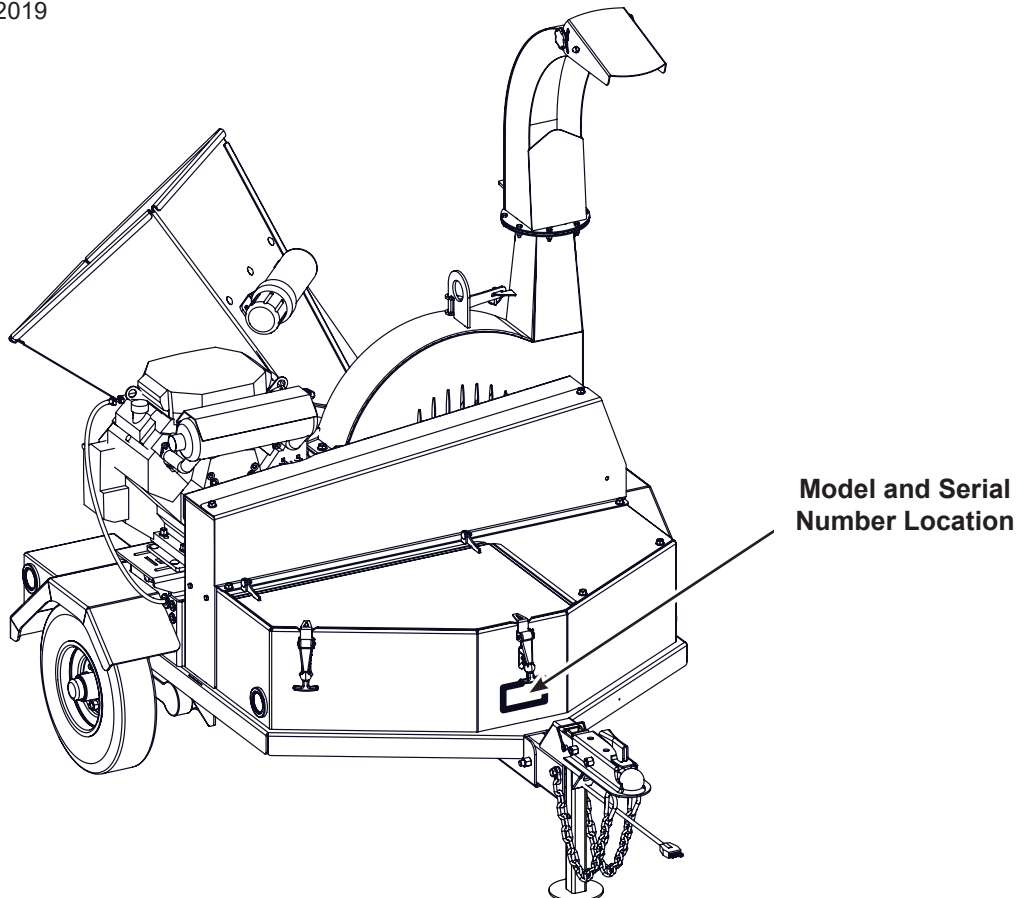
Serial Number Location

Always provide the model and serial number of your Wallenstein product when ordering parts or requesting service or other information. This information is found on the product information plate as shown below.

Record your product information here for future reference.

Model _____

Serial Number _____

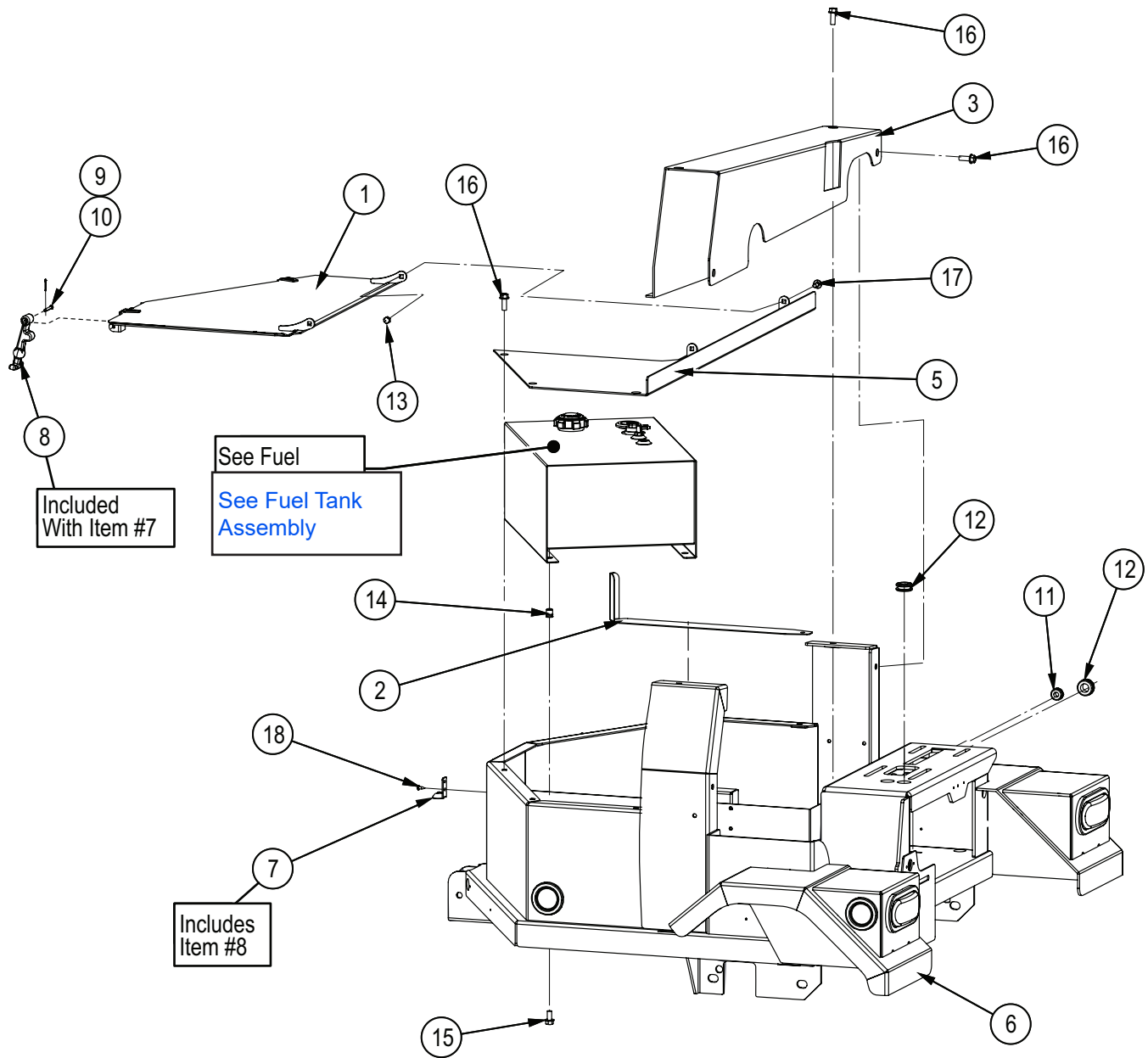


www.wallensteinequipment.com

Contents

Main Frame and Guards	4
Blower Assembly	5
Discharge Chute Assembly.....	6
Wheels and Axle.....	7
Engine and Driveline	8
Fuel Tank Assembly.....	9
Rotor	10
Self-Feed Hopper	11
Hitch Assembly	12
Idler Hub	13
Battery and Harness	14
Decal Layout.....	15
Decal Layout.....	16
Common Bolt Torque Values	18
Hydraulic Fitting Torque Values	19
Wheel Lug Torque Values.....	19

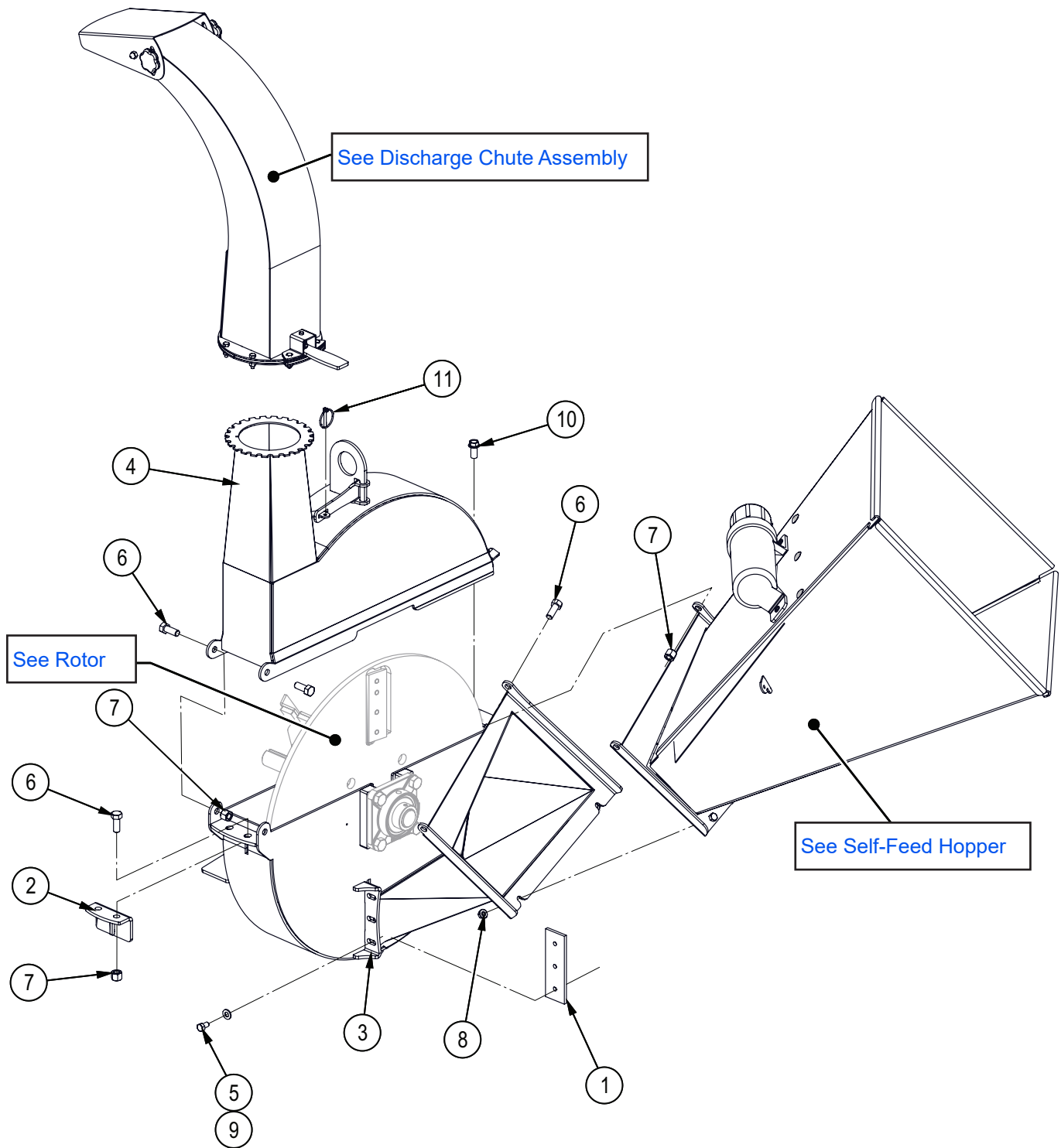
Main Frame and Guards



Item No.	Part No.	Description	Qty
1	1052A104	Toolbox Lid	1
2	1012L269	Gauge, Ledger Setting	1
3	1052L507	Front Belt Guard	1
5	1052W106	Bay Cover	1
6	1052W504	Main Frame	1
7	Z18201	Hood Fastener, Top Bracket	2
8		Hood Fastener, Latch Strap	2
9	Z11300	Clevis Pin 3/16 x 1-3/8	2
10	Z12300	Cotter Pin 3/32 X 3/4	2

Item No.	Part No.	Description	Qty
11	Z62808	Rubber Grommet, 7/16" x 1/4"	2
12	Z62822	Rubber Grommet, 3/4" x 1/4"	3
13	Z72914	Acorn Nut, 5/16NC	2
14	Z72959	Rivet Nut, 3/8NC x 150	4
15	Z76133	Flange Bolt, 3/8NC x 3/4"	4
16	Z76134	Flange Bolt, 3/8NC x 1"	8
17	Z76221	Carriage Bolt, 5/16NC x 3/4"	2
18	Z76711	Self-tapping Screw, #10 x 1/2"	4

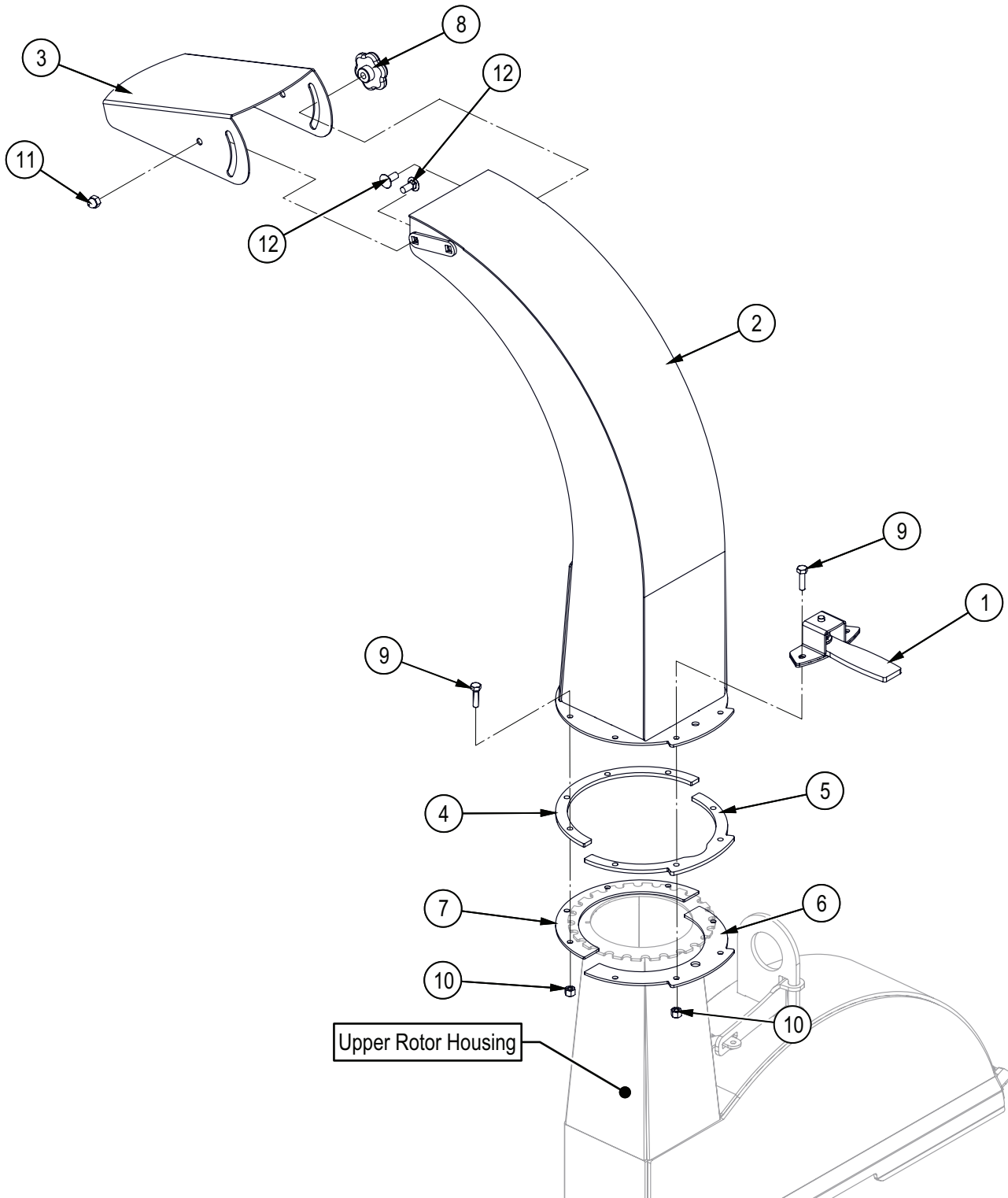
Blower Assembly



Item	Part No.	Description	Qty
1	1011M104	Knife, 4" Ledger	1
2	1011W104	Twig Breaker	1
3	1052W291	Housing, Bottom Rotor	1
4	1052W292	Housing, Upper Rotor	1
5	Z71372G8	Hex Bolt, 3/8NF x 5/8" G8	3
6	Z71512	Hex Bolt, 1/2NC x 1-1/4"	6

Item	Part No.	Description	Qty
7	Z72251	Hex Lock Nut, 1/2NC	6
8	Z72531	Serrated Flange Locknut, 3/8NC	2
9	Z73131	SAE Washer, 3/8"	3
10	Z76153	Flange Bolt, 1/2NC x 1"	1
11	Z12110	Lynch Pin, 3/16"	1

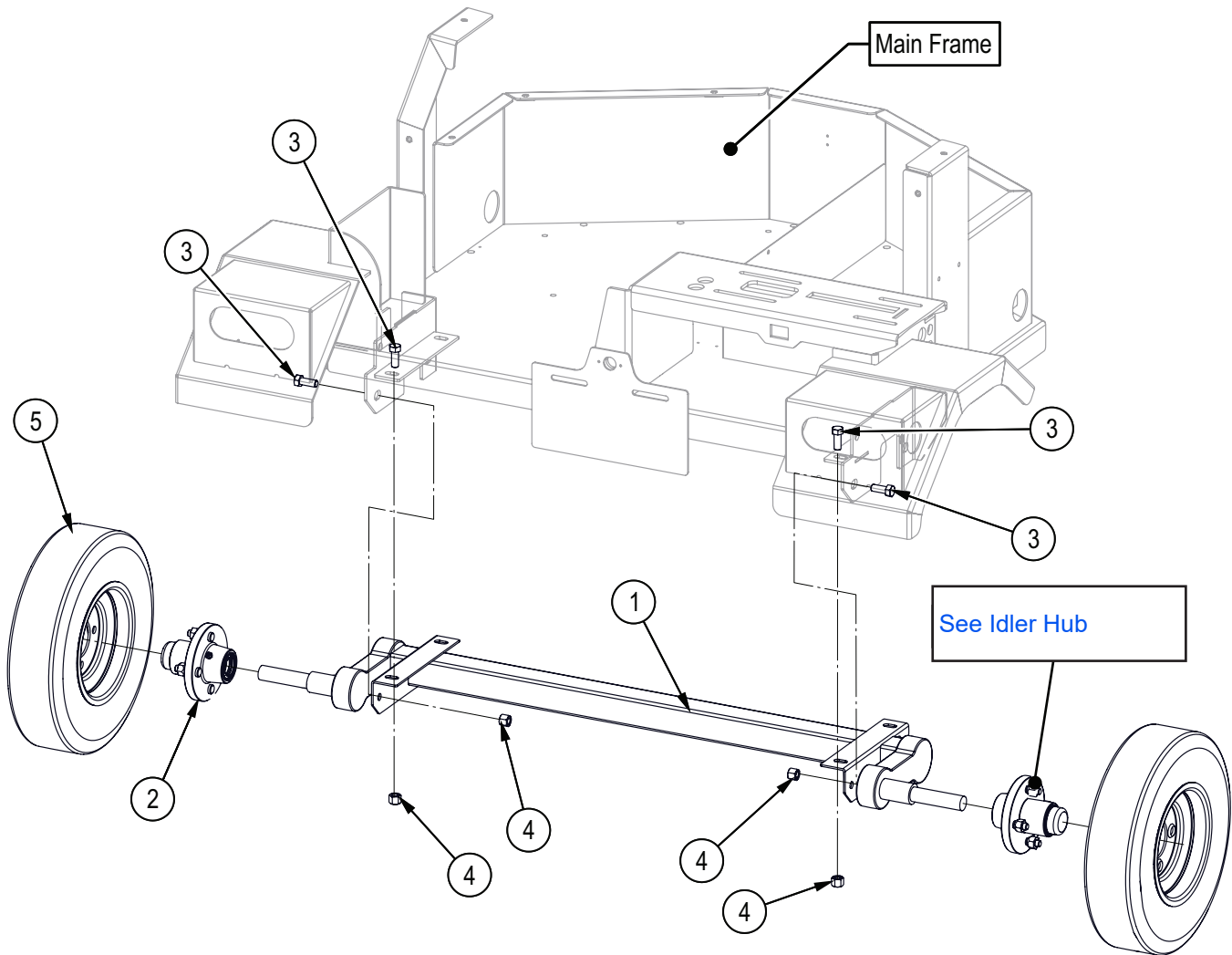
Discharge Chute Assembly



Item	Part No.	Description	Qty
1	1012W208	Assembly, Hood Latch	1
2	1016W007	Discharge Chute	1
3	1016L033	Deflector, Discharge Chute	1
4	1016L027	Plate, Spacer Ring	1
5	1016L029	Plate, Spacer Ring	1
6	1016L030	Plate, Hood Capture	1
7	1016L034	Plate, Hood Capture	1

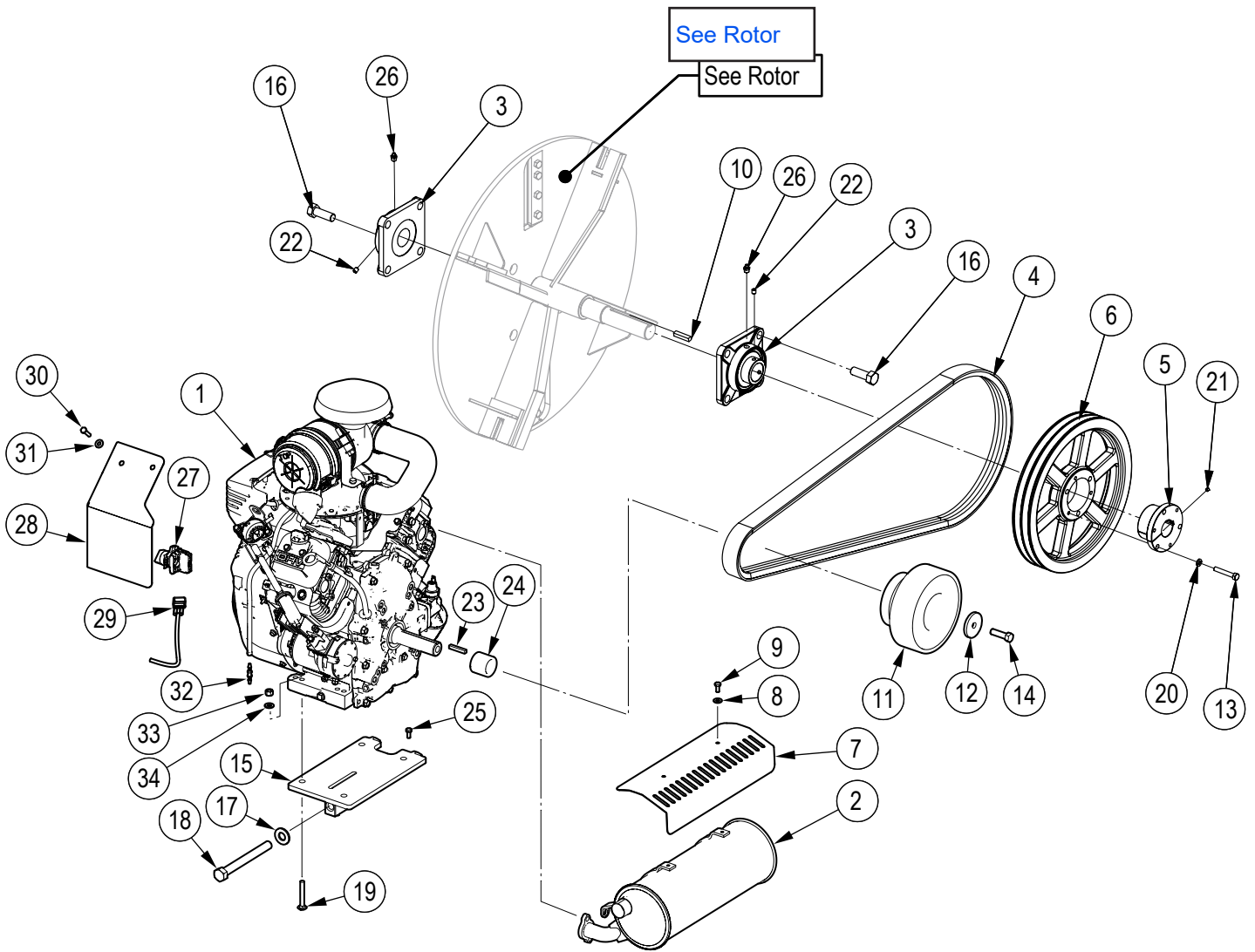
Item	Part No.	Description	Qty
8	Z19313	Hand Knob, 5/16NC Female Stud	2
9	Z71110	Hex Bolt, 1/4NC x 1"	8
10	Z72211	Hex Lock Nut, 1/4NC	8
11	Z72914	Acorn Nut, 5/16NC	2
12	Z76221	Carriage Bolt, 5/16NC x 3/4"	4

Wheels and Axle



Item	Part No.	Description	Qty
1	Z91120	#9 Full Flex Axle, 1000lbs x 52" HF Axle Only	1
2	Z91206	Idler Hub Assy, 1000lbs x 4on4" x 1-1/16"	2
3	Z71512	Hex Bolt, 1/2NC x 1-1/4"	8
4	Z72251	Hex Lock Nut, 1/2NC	8
5	Z91301	4.80-8 LRB SportTrail 4on4"	2

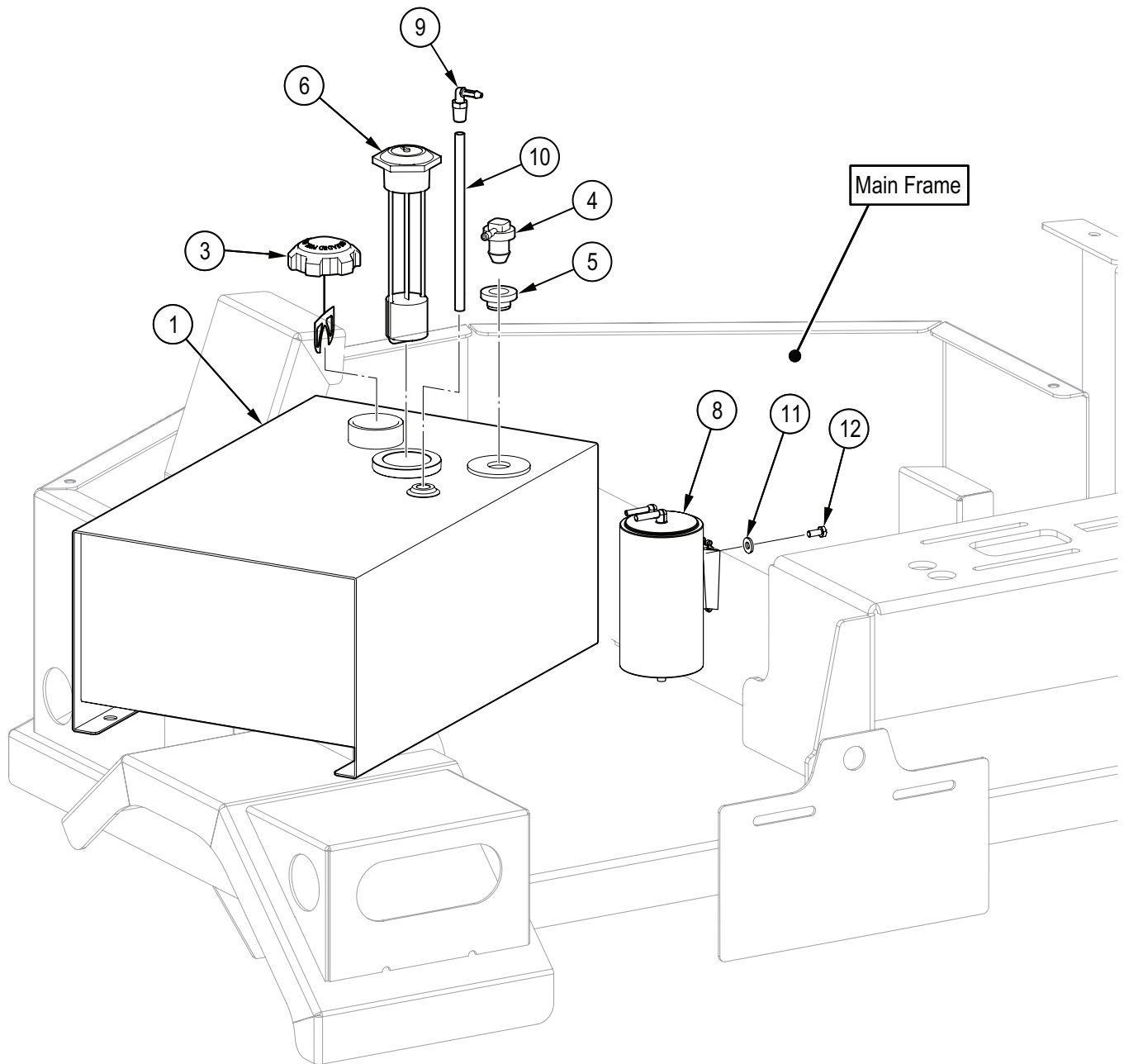
Engine and Driveline



Item	Part No.	Description	Qty
1	Z47755	Vanguard 23hp (627cc) EFI E-Start	1
2	Z47757	EFI Muffler, Vanguard	1
3	Z25204	4-Bolt Flange Bearing, UCF208-24	2
4	Z41259	Belt, Double "B" x 77"	1
5	Z41501	Hub, SK x 1-3/8"	1
6	Z41702	Double Sheave, 2B124 x SK	1
7	1063L110	Muffler, Cover	1
8	Z73111G8	SAE Washer, 1/4" Grade 8	2
9	Z77130	Hex Bolt, M6x1.0 x 14mm	2
10	Z46543	Key, 5/16" x 5/16" x 1-1/2"	1
11	Z41902	Centrifugal Clutch, 2B39 x 1-1/8"	1
12	1052L503	Washer, Clutch Trap x 7/16"	1
13	Z71220	Hex Bolt, 5/16NC x 2"	3
14	Z71472	Hex Bolt, 7/16NF x 1-1/2"	1
15	1052W505	Engine Adjustment Plate	1
16	Z71672G8	Hex Bolt, 5/8NF x 1-3/4" G8	8
17	Z73161	SAE Washer, 5/8"	1

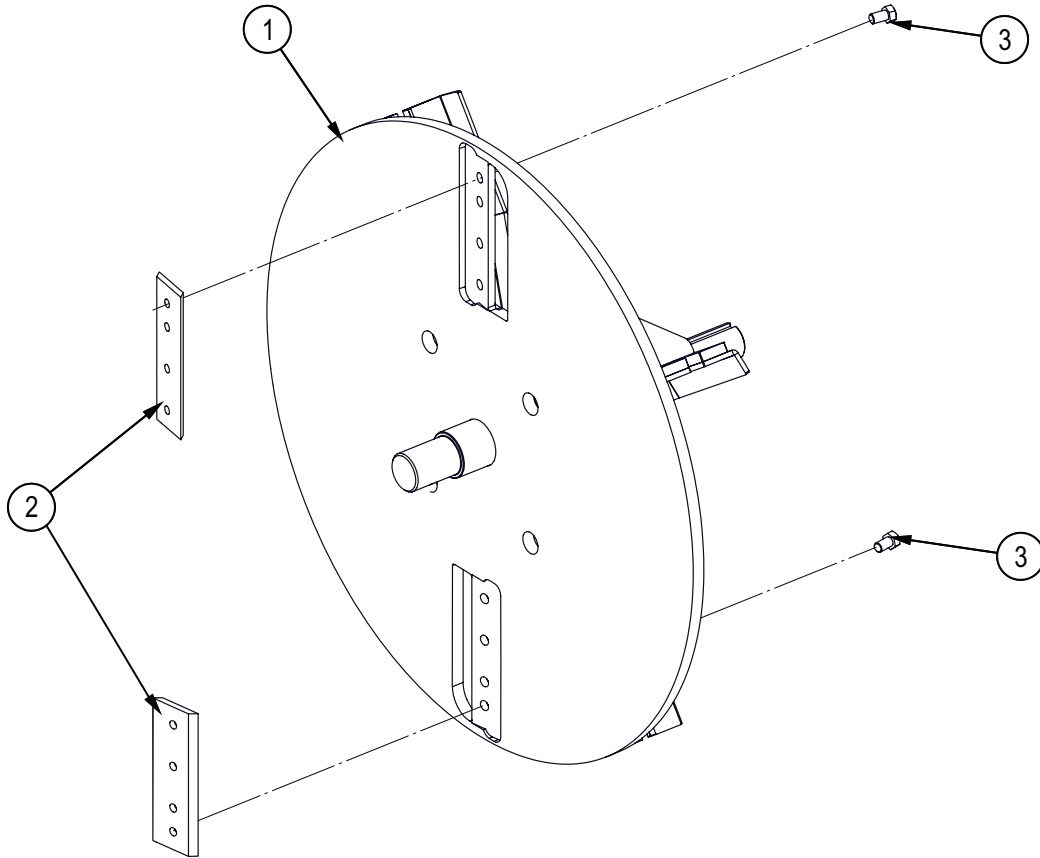
Item	Part No.	Description	Qty
18	Z71660	Hex Bolt, 5/8NC x 6"	1
19	Z76228	Carriage Bolt, 5/16NC x 2-1/4"	1
20	Z73321	Split Lock Washer, 5/16"	3
21	Z74111	Set Screw, 1/4NC x 1/4"	1
22	Z74122	Set Screw, 5/16NF x 3/8"	4
23	Z46532	Key, 1/4" x 1/4" x 1-1/2"	1
24	1065M003	Spacer Ring	1
25	Z77130	Hex Bolt, M6x1.0 x 14mm	2
26	Z29201	Grease Fitting, MP02	2
27	Z63630	2 Position Selector Switch	1
28	1052L509	Bracket, Idle Switch Mount	1
29	1063F021	Engine Idle Control Harness	1
30	Z77131	Hex Bolt, M6x1.0 x 25mm	2
31	Z73111G8	SAE Washer, 1/4" Grade 8	2
32	Z93338	Plastic Coupling, HB x HB 0303	1
33	Z72221	Hex Lock Nut, 5/16NC	4
34	Z73122	SAE Washer, 5/16"	4

Fuel Tank Assembly



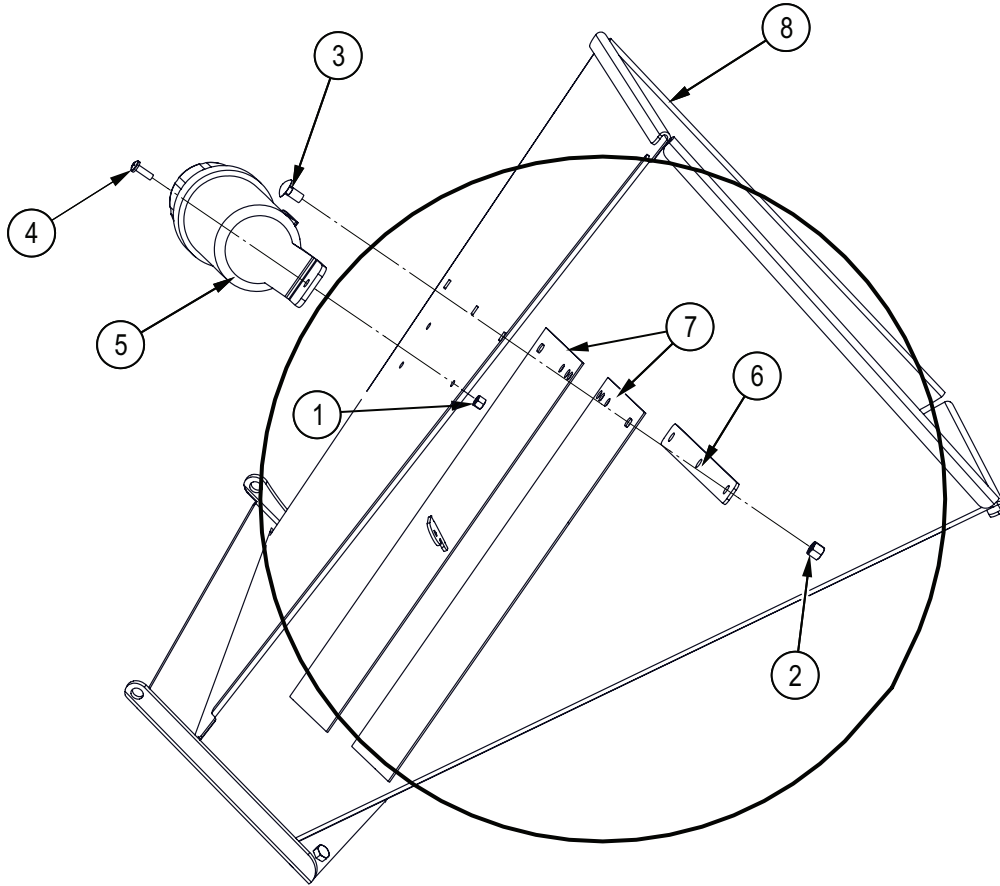
Item	Part No.	Description	Qty
1	1052W503	Fuel Tank, Trailer Chippers	1
3	Z93108	EPA Ratchet Fuel Cap, Unleaded Fuel x Unvented with Tether	1
4	Z93110	EPA Remote Vent, HB04	1
5	Z93111	Vent Grommet For Z93110	1
6	Z93121	Fuel Gauge Thread Mount x 6-1/2"	1
8	Z93309	EPA Carbon Canister, 652cc	1
9	Z93312	Plastic Elbow 90, MP x HB 0404	1
10	1052S501	Fuel Pickup Tube	1
11	Z73111	SAE Washer, 1/4"	2
12	Z77130	Hex Bolt, M6x1.0 x 14mm	2

Rotor



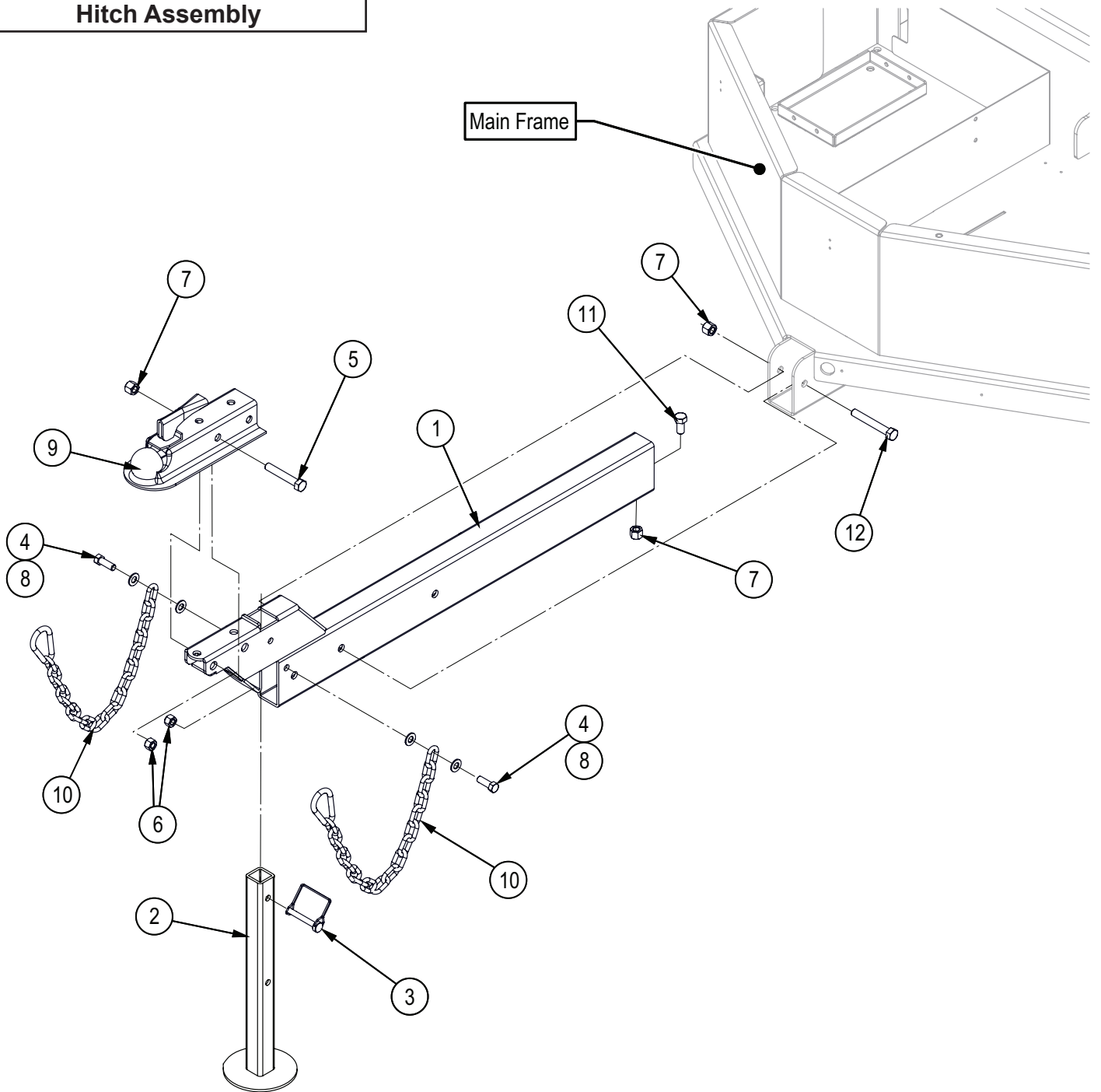
Item	Part No.	Description	Qty
1	1052W293	Rotor	1
2	1011M103	Knife, 4" Rotor	2
3	Z71372G8	Hex Bolt, 3/8NF x 5/8" G8	8

Self-Feed Hopper



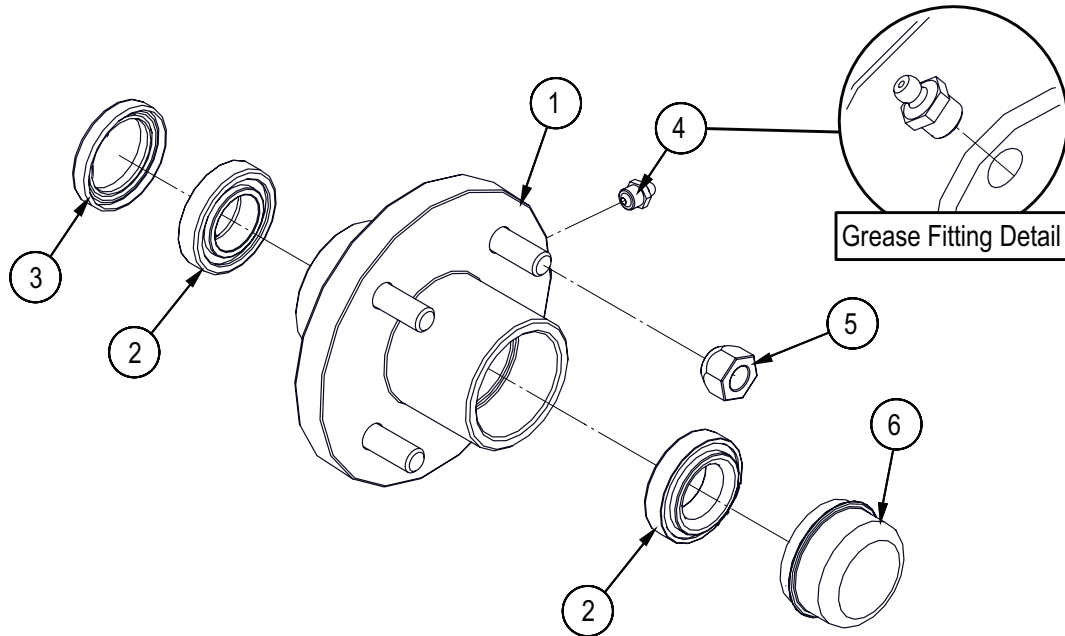
Item	Part No.	Description	Qty
1	Z72211	Hex Lock Nut, 1/4NC	3
2	Z72231	Hex Lock Nut, 3/8NC	3
3	Z76233	Carriage Bolt, 3/8NC x 3/4"	3
4	Z78301	Machine Screw, 1/4NC x 3/4"	3
5	Z96503	Manual Tube, 3-1/2" Short	1
6	1011L151	Strap, Hopper Flap	1
7	1011S103	Flap, Hopper	2
8	1011W108	Infeed Hopper	1

Hitch Assembly



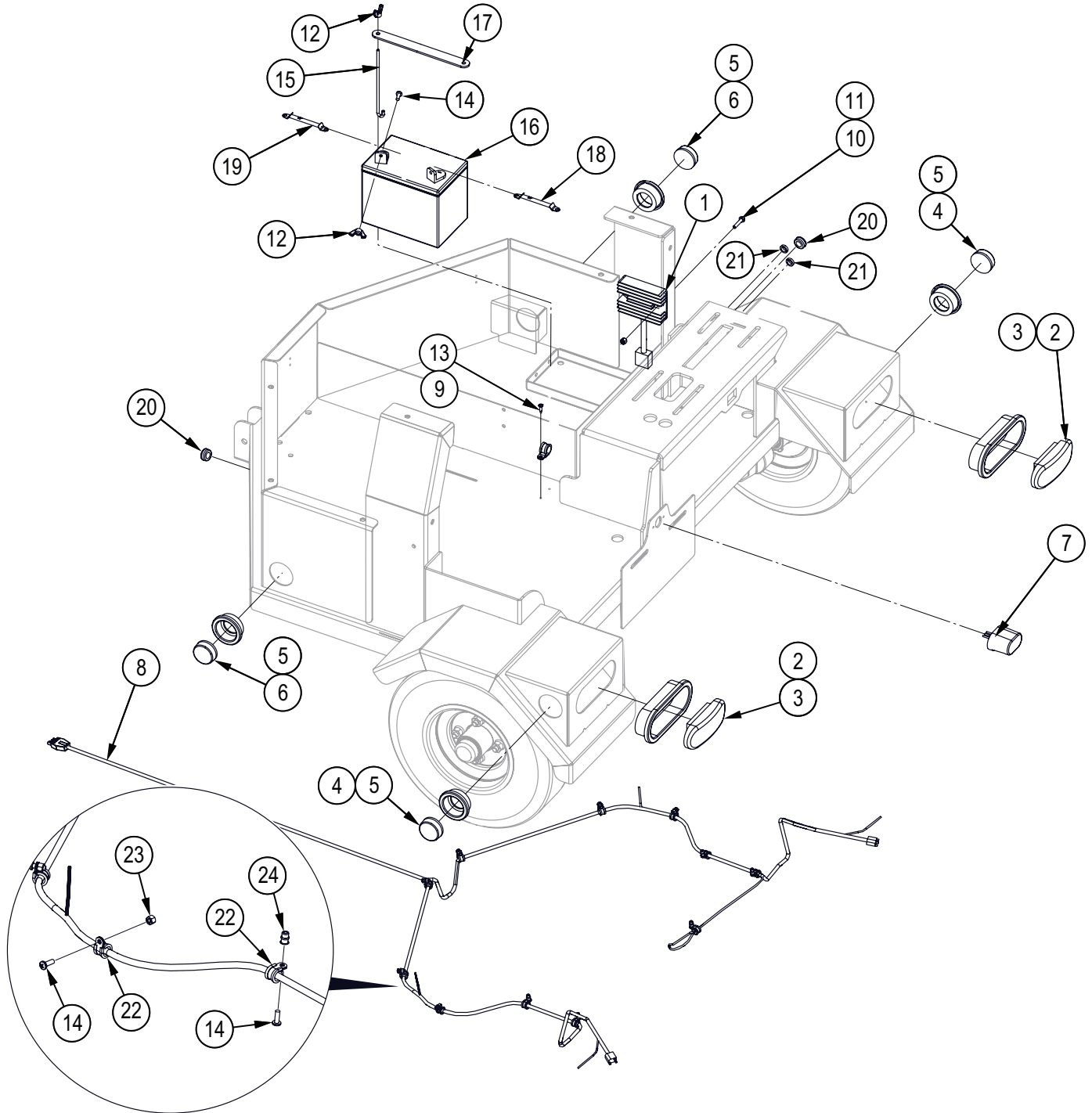
Item	Part No.	Description	Qty
1	1052W101	Main Spine	1
2	1052W102	Jack Stand	1
3	Z12432	Snap Lock Pin, 3/8" x 2-1/2"	1
4	Z71412	Hex Bolt, 7/16NC x 1-1/4"	2
5	Z71530	Hex Bolt, 1/2NC x 3"	2
6	Z72241	Hex Lock Nut, 7/16NC	2
7	Z72251	Hex Lock Nut, 1/2NC	4
8	Z73142	SAE Washer, 7/16"	4
9	Z91614	Hitch Coupler, 2" Ball x 2" x 3500lbs	1
10	Z92303	Safety Chain, 1/4" x 2ft with Snap	2
11	Z71510	Hex Bolt, 1/2NC x 1"	1
12	Z71535	Hex Bolt, 1/2NC x 3-1/2"	1

Idler Hub



Item	Part No.	Description	Qty
1	Z91201	Hub, 1000lbs x 4on4	1
2	Z23202	Roller Bearing, L44649 L44610	2
3	Z28302	Double Lip Seal, 1-1/16"	1
4	Z29201	Grease Fitting, MP02	1
5	Z72931	Lug Nut, 1/2NF	4
6	Z91801	Dust Cap, 1.98 Bore	1

Battery and Harness



Item	Part No.	Description	Qty
1	Z47901	Regulator Rectifier	1
2	Z61102	STT Lamp, Oval	2
3	Z61103	Grommet, Oval x Open Back	2
4	Z61201	Marker Lamp, Round x Red	2
5	Z61202	Grommet, Round x Open Back	4
6	Z61205	Marker Lamp, Round x Amber	2
7	Z61301	License Lamp, White	1
8	Z62127	Harness, BXT62 Lights	1
9	Z62821	Rubberized Wire Clamp, 5/8"	2
10	Z71112	Hex Bolt, 1/4NC x 1-1/4"	2
11	Z72211	Hex Lock Nut, 1/4NC	2
12	Z72921	Wing Nut, 1/4NC	4

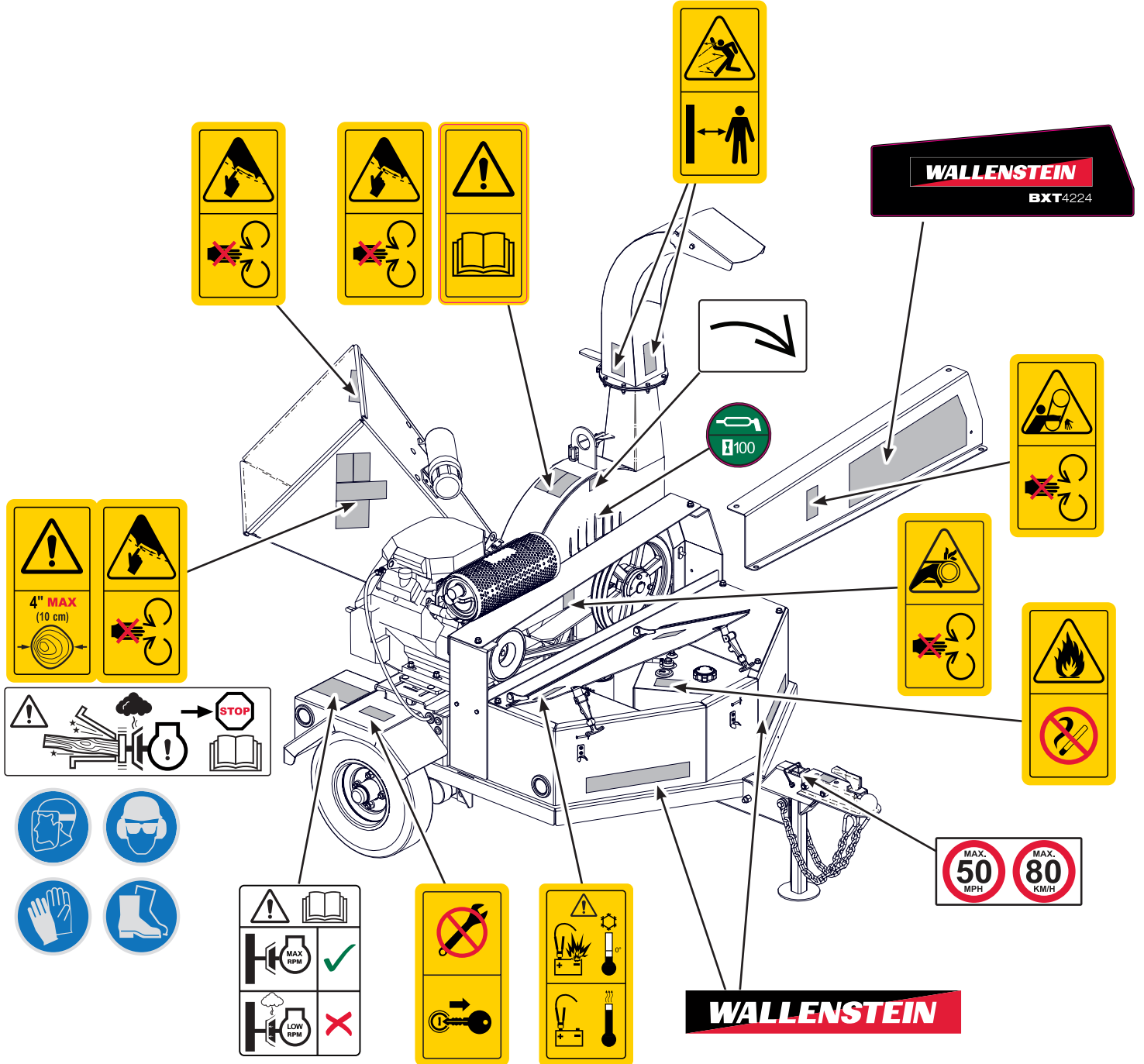
Item	Part No.	Description	Qty
13	Z76712	Self-tapping Screw, #10 x 3/4"	2
14	Z78301	Machine Screw, 1/4NC x 3/4"	13
15	Z93202	J-Hook, 1/4" x 7"	2
16	Z93204	Battery, 325CCA	1
17	Z93207	Hold-Down Strap, 1" x 8-1/2"	1
18	Z93210	Battery Cable, Negative x 25"	1
19	Z93212	Battery Cable, Positive x 28"	1
20	Z62822	Rubber Grommet, 3/4" x 1/4"	2
21	Z62808	Rubber Grommet, 7/16" x 1/4"	2
22	Z62819	Rubberized Wire Clamp, 1/2"	11
23	Z72211	Hex Lock Nut, 1/4NC	6
24	Z72962	Rivet Nut, 1/4NC x 260	5

Decal Layout

IMPORTANT! If parts are replaced that have safety signs on them, new signs must be applied. Safety signs must always be replaced if they become damaged, are removed, or become illegible.

Safety signs are included in the product decal kit available from your authorized dealer. Decals are not available separately.

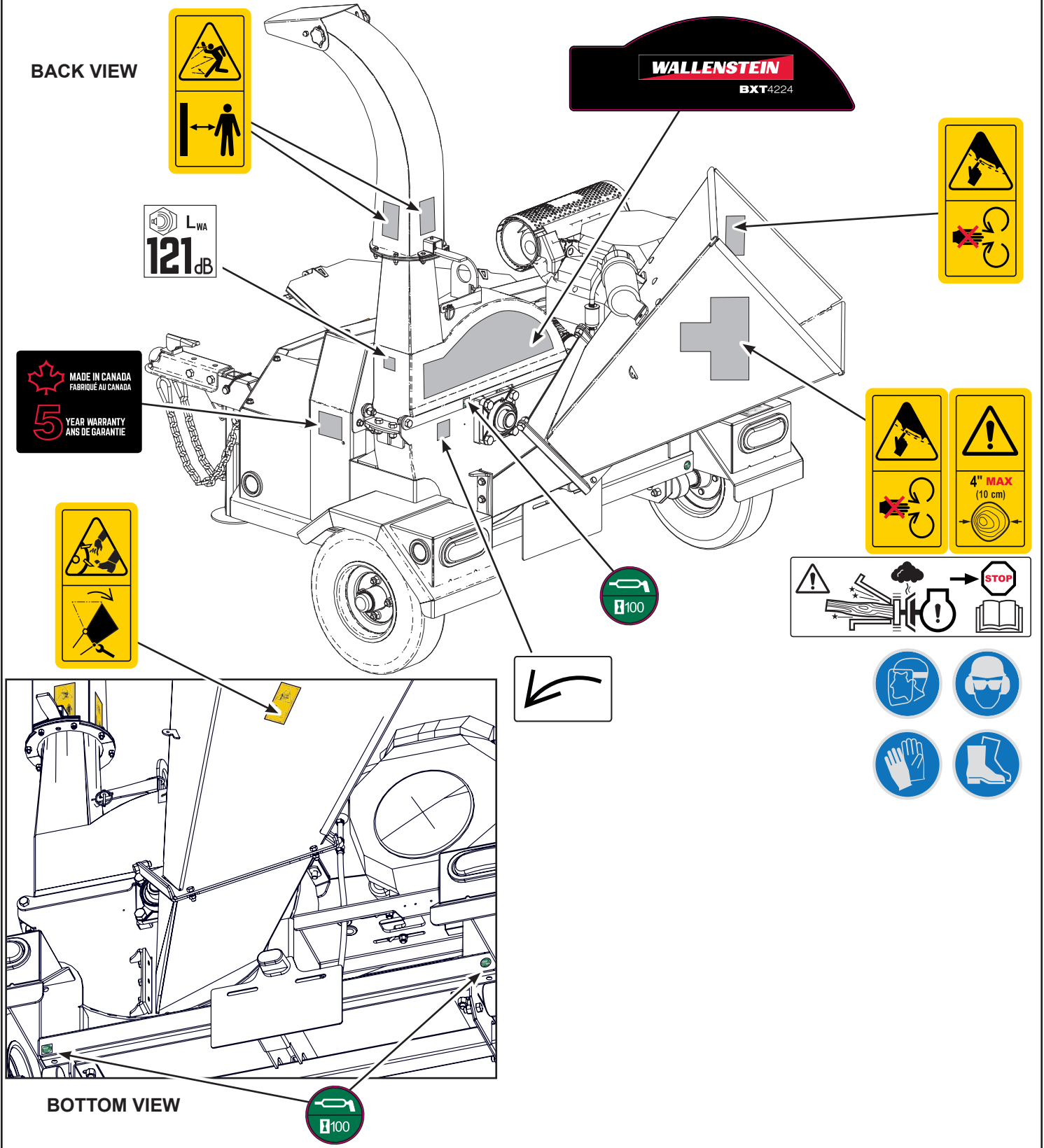
FRONT VIEW



Decal Layout

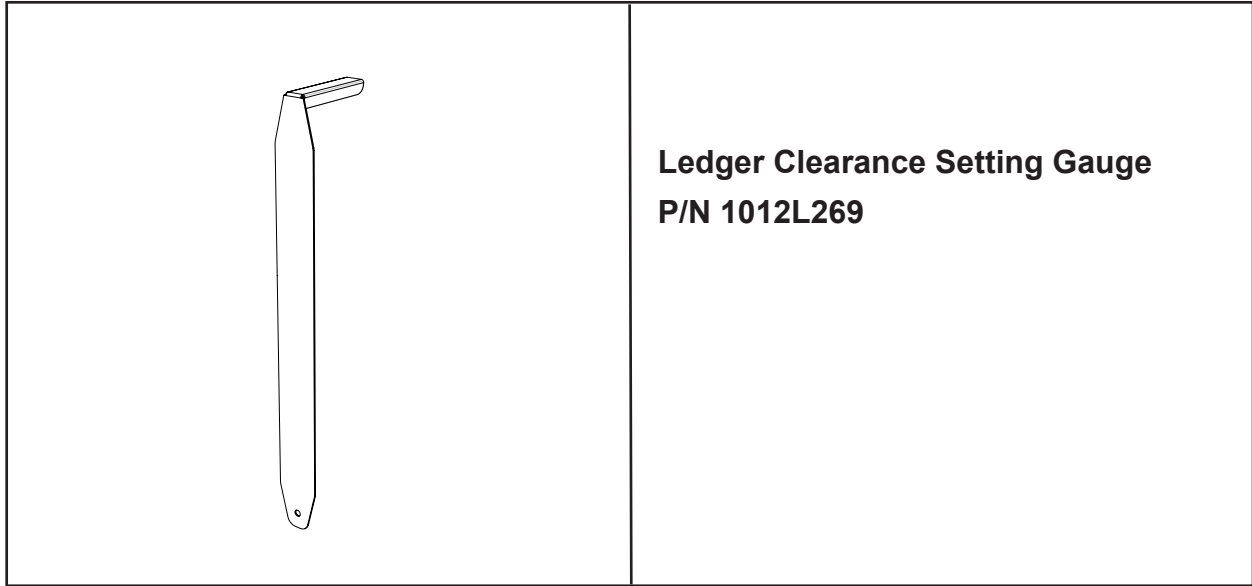
IMPORTANT! If parts are replaced that have safety signs on them, new signs must be applied. Safety signs must always be replaced if they become damaged, are removed, or become illegible.

Safety signs are included in the product decal kit available from your authorized dealer. Decals are not available separately.



Accessories

Call your dealer for pricing and availability




Common Bolt Torque Values

Checking Bolt Torque

The tables shown give correct torque values for various bolts and capscrews. Tighten all bolts to the torque values specified in the table, unless indicated otherwise. Check tightness of bolts periodically.

IMPORTANT! If replacing hardware, use fasteners of the same grade.

IMPORTANT! Torque figures indicated in the table are for non-greased or non-oiled threads. Do not grease or oil threads unless indicated otherwise. When using a thread locker, increase torque values by 5%.

 **NOTE:** Bolt grades are identified by their head markings.

Imperial Bolt Torque Specifications

Bolt Diameter	Torque Value					
	SAE Gr. 2		SAE Gr. 5		SAE Gr. 8	
	lbf•ft	N•m	lbf•ft	N•m	lbf•ft	N•m
1/4"	6	8	9	12	12	17
5/16"	10	13	19	25	27	36
3/8"	20	27	33	45	45	63
7/16"	30	41	53	72	75	100
1/2"	45	61	80	110	115	155
9/16"	60	95	115	155	165	220
5/8"	95	128	160	215	220	305
3/4"	165	225	290	390	400	540
7/8"	170	230	420	570	650	880
1"	225	345	630	850	970	1320



SAE Gr. 2



SAE Gr. 5



SAE Gr. 8

Metric Bolt Torque Specifications

Bolt Diameter	Torque Value			
	Gr. 8.8		Gr. 10.9	
	lbf•ft	N•m	lbf•ft	N•m
M3	0.4	0.5	1.3	1.8
M4	2.2	3	3.3	4.5
M6	7	10	11	15
M8	18	25	26	35
M10	37	50	52	70
M12	66	90	92	125
M14	83	112	116	158
M16	166	225	229	310
M20	321	435	450	610
M30	1,103	1 495	1,550	2 100



8.8



10.9

Hydraulic Fitting Torque Values

Tightening Flare Type Tube Fittings

1. Check flare and flare seat for defects that might cause leakage.
2. Align tube with fitting before tightening.
3. Hand-tighten swivel nut until snug.
4. To prevent twisting the tube, use two wrenches. Place one wrench on the connector body and tighten the swivel nut with the second. Torque to values shown.

If a torque wrench is not available, use the FFFT (Flats From Finger Tight) method.

Hydraulic Fitting Torque					
Tube Size OD	Hex Size Across Flats	Torque value		Flats From Finger Tight	
		lbf•ft	N•m	Flats	Turns
3/16	7/16	6	8	2	1/6
1/4	9/16	11–12	15–17	2	1/6
5/16	5/8	14–16	19–22	2	1/6
3/8	11/16	20–22	27–30	1-1/4	1/6
1/2	7/8	44–48	59–65	1	1/6
5/8	1	50–58	68–79	1	1/6
3/4	1-1/4	79–88	107–119	1	1/8
1	1-5/8	117–125	158–170	1	1/8

Values shown are for non-lubricated connections.

Wheel Lug Torque Values

It is extremely important safety procedure to apply and maintain proper wheel mounting torque on your trailer axle. Torque wrenches are the best method to assure the proper amount of torque is being applied to a fastener.

Wheel lugs should be torqued before first road use and after each wheel removal. Check and re torque after the first 10 miles (16 km), 25 miles (40 km), and again at 50 miles (80 km). Check periodically thereafter.

NOTE: *Wheel lugs must be applied and maintained at the proper torque levels to prevent loose wheels, broken studs, and possible dangerous separation of wheels from your axle.*

- Start all lugs by hand to prevent cross threading.
- Tighten lugs in sequence, per wheel lug torque sequence chart.
- The tightening of the fasteners should be done in stages. Following the recommended sequence, tighten fasteners per wheel torque requirements chart.

Wheel Lug Nut Torque				
Wheel Size	Units	1st Stage	2nd Stage	3rd Stage
8"	lbf•ft N•m	12–20 16–26	30–35 39–45.5	45–55 58.5–71.5
12"	lbf•ft N•m	20–25 26–32.5	35–40 45.5–52	50–60 65–78
13"	lbf•ft N•m	20–25 26–32.5	35–40 45.5–52	50–60 65–78
14"	lbf•ft N•m	20–25 26–32.5	50–60 65–78	90–120 117–156
15"	lbf•ft N•m	20–25 26–32.5	50–60 65–78	90–120 117–156
16"	lbf•ft N•m	20–25 26–32.5	50–60 65–78	90–120 117–156

Wheel Lug Torque Pattern

