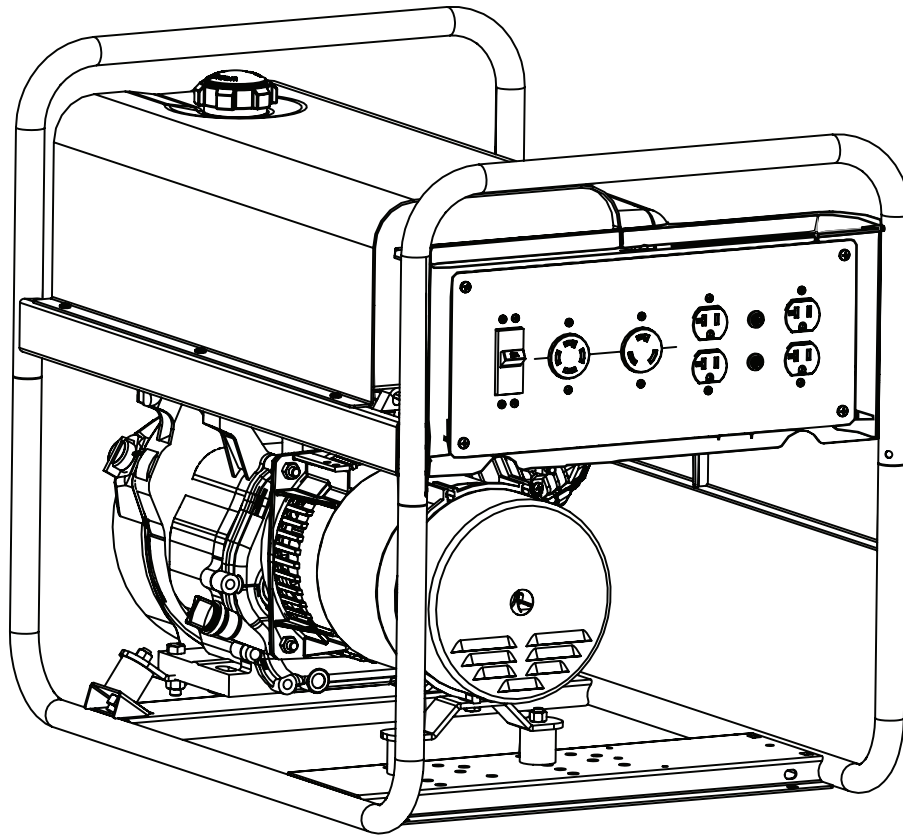


# WALLENSTEIN

BY EMB MFG INC.

EMB Manufacturing Inc.  
4144 Boomer Line · St. Clements, On · N0B 2M0 · Canada  
Ph: (519) 699-9283 · Fax: (519) 699-4146  
www.embmfg.com

## GF5000A/ GF5000EA Generator Parts Manual



Refer to the operators  
manual for safe  
operation and  
maintenance

## Foreword

EMB Mfg. has prepared this parts manual to assist customers in ordering quality OEM replacement parts.

Proper and regular service and replacing old, worn or broken parts with the correct OEM parts are essential to prolonging the life of your EMB product. Please refer to this manual before ordering any replacement parts.

All information contained in this parts manual is based on the latest product specification available at the time of printing this manual. If your product differs from the specifications contained within this manual contact EMB Mfg. for information.

EMB reserves the right to alter specifications on their products at any time.

Reproduction of this parts manual of any kind is prohibited without prior written permission from EMB Mfg.

For parts and information please contact your dealer. If your dealer is no longer available please go to our website: <http://www.embmfg.com> and click on "FIND A DEALER NEAR YOU" for information on a local dealer.

## Table of Contents

<b>Bolt Torque.....</b>	<b>4</b>
<b>GF5000 Assembly .....</b>	<b>5</b>
<b>Electrical Panel Assembly .....</b>	<b>7</b>
<b>Alternator.....</b>	<b>8</b>
<b>GF5000A Wiring Diagram.....</b>	<b>9</b>
<b>GF5000EA Wiring Diagram.....</b>	<b>10</b>
<b>Accessories.....</b>	<b>11</b>

Alternator maintenance should be performed by trained personnel only.



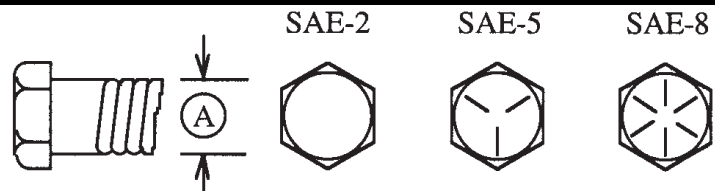
Exercise extreme caution when working with exposed wiring of the alternator, be aware that high voltage discharge of the capacitor is a danger.

**Bolt Torque**

**CHECKING BOLT TORQUE**

The tables shown below give correct torque values for various bolts and capscrews. Tighten all bolts to the torques specified in chart unless otherwise noted. Check tightness of bolts periodically, using bolt torque chart as a guide. Replace hardware with the same strength bolt.

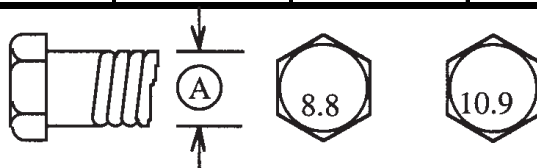
ENGLISH TORQUE SPECIFICATIONS						
Bolt Diameter "A"	Bolt Torque*					
	SAE 2 (N.m) (lb-ft)		SAE 5 (N.m) (lb-ft)		SAE 8 (N.m) (lb-ft)	
1/4"	8	6	12	9	17	12
5/16"	13	10	25	19	36	27
3/8"	27	20	45	33	63	45
7/16"	41	30	72	53	100	75
1/2"	61	45	110	80	155	115
9/16"	95	60	155	115	220	165
5/8"	128	95	215	160	305	220
3/4"	225	165	390	290	540	400
7/8"	230	170	570	420	880	650
1"	345	225	850	630	1320	970

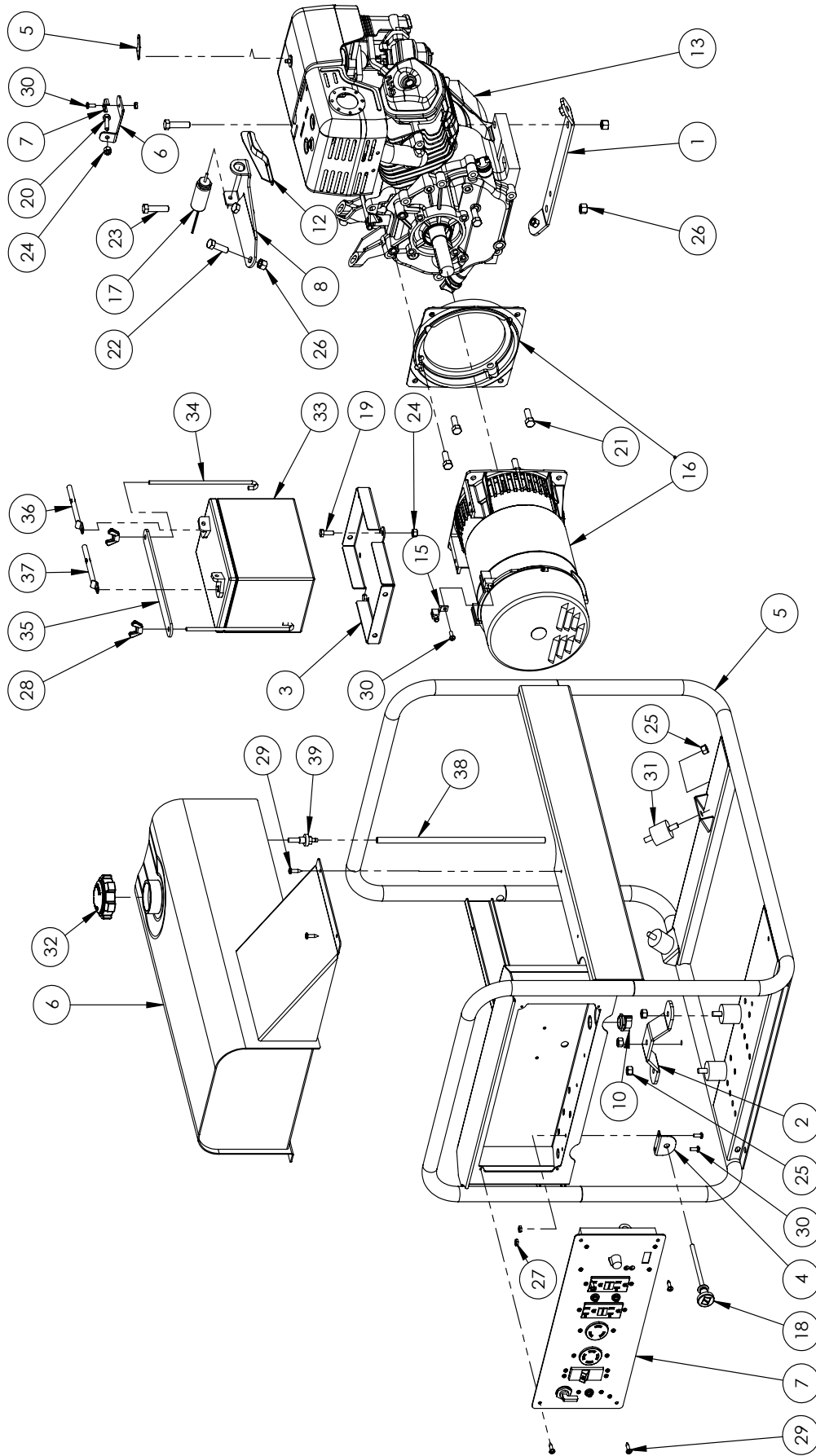


Torque figures indicated above are valid for non-greased or non-oiled threads and heads unless otherwise specified. Therefore, do not grease or oil bolts or capscrews unless otherwise specified in this manual. When using locking elements, increase torque values by 5%.

\* Torque value for bolts and capscrews are identified by their head markings.

METRIC TORQUE SPECIFICATIONS				
Bolt Diameter "A"	Bolt Torque*			
	8.8 (N.m) (lb-ft)		10.9 (N.m) (lb-ft)	
M3	0.5	0.4	1.8	1.3
M4	3	2.2	4.5	3.3
M5	6	4	9	7
M6	10	7	15	11
M8	25	18	35	26
M10	50	37	70	52
M12	90	66	125	92
M14	140	103	200	148
M16	225	166	310	229
M20	435	321	610	450
M24	750	553	1050	774
M30	1495	1103	2100	1550
M36	2600	1917	3675	2710



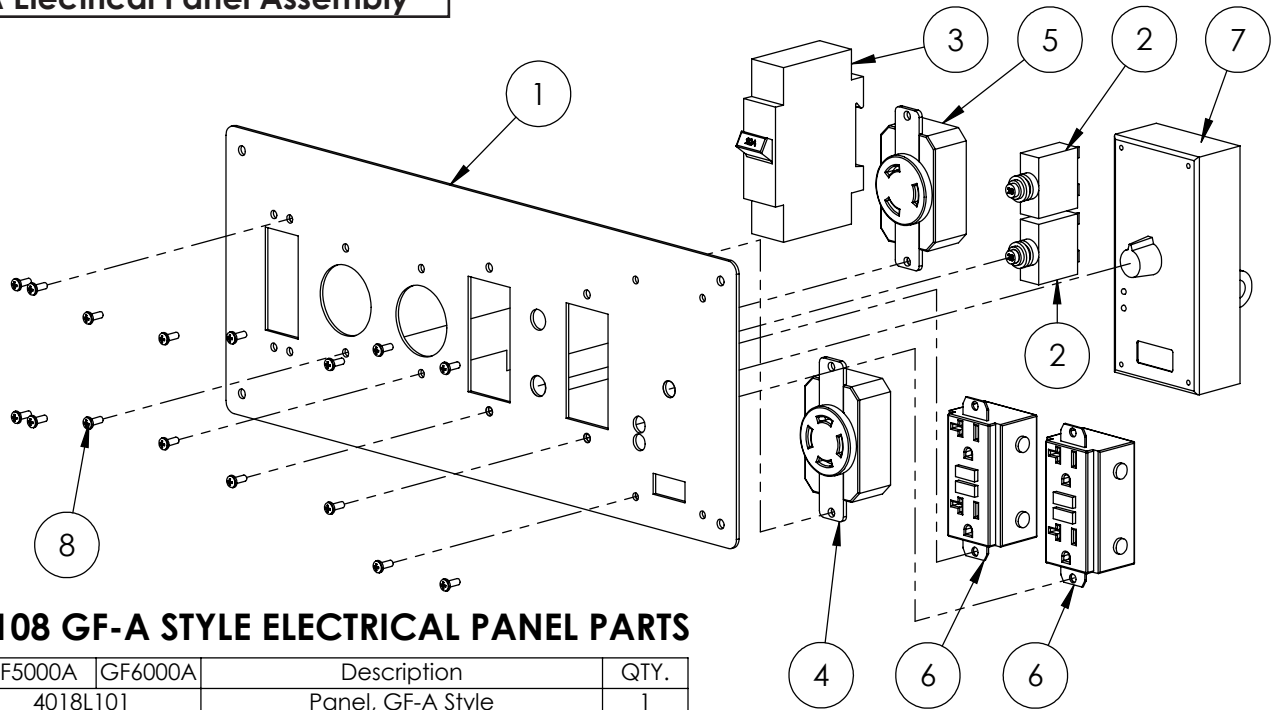


**GF5000 Main Assembly**

## GF SERIES GENERATOR PARTS BREAKDOWN

ITEM	GF5000EA	GF6000EA	GF7200EA	GF5000A	GF6000A	DESCRIPTION	QTY.
1			4014L405			Engine Mount Plate	1
2			4014L406			1-3/16" Offset Gen Plate	1
3		4015L504		-		Tray, Battery	1
4		4015L517		-		Bracket, Choke Cable	1
5		4015L555		-		Bracket, Choke Lever	1
6		4015L556		-		Bracket, Cable Mount	1
7		4015L557		-		Clamp, Choke Cable	1
5			4015W501			Main Frame, EU/GF Style	1
6			4015W505			Fuel Tank, EU / GF Style	1
7		4018A508		4018A108		Assembly, Electrical Panel	1
8			4018L502			Solenoid Bracket	1
12	4018L503	-	-	4018L503	-	Solenoid Push Plate, 9hp	1
	-	4019L101	-	-	4019L101	Solenoid Push Plate, 11-13hp	
13	Z47138	-	-	Z47138	-	Honda 9hp Engine	1
	-	Z47143	-	-	Z47142	Honda 11hp Engine	
	-	-	Z47148	-	-	Honda 13hp Engine	
10			Z62261			Box Connector, 3/8	1
15			Z62711			Grounding Terminal, 6-14	1
16	Z65404	-	-	Z65404	-	Alternator, 4.9 kVA	1
	-	Z65405	-	-	Z65405	Alternator, 6.0 kVA	
	-	-	Z65406	-	-	Alternator, 6.8 kVA	
17			Z65601			Solenoid, Auto-Idle	1
18		Z66801		-		Choke Cable	1
19		Z71107		-		Hex Bolt 1/4NC x 3/4	2
20			Z71110			Hex Bolt 1/4NC x 1	1
21			Z71310			Hex Bolt 3/8NC x 1	5
22			Z71312			Hex Bolt 3/8NC x 1-1/4	2
23	Z71315	-	-	Z71315	-	Hex Bolt 3/8NC x 1-1/2	2
	-	Z71317	-	-	Z71317	Hex Bolt, 3/8NC x 1-3/4	
24		Z72111		-		Hex Lock Nut 1/4NC	3
25			Z72221			Hex Lock Nut 5/16NC	9
26			Z72231			Hex Lock Nut 3/8NC	4
27			Z72752			Machine Nut, #10NF	3
28		Z72921		-		Wing Nut 1/4NF	2
29			Z76712			Self-tapping Screw #10	9
30			Z78303			Machine Screw #10NF x 1/2	4
31			Z79931			Rubber Mount	4
32			Z93103			Fuel Cap	1
33		Z93201		-		250 CCA Battery	1
34		Z93202		-		J-Hook 1/4 x 7	2
35		Z93207		-		Hold-Down Strap, 1 x 8-1/2	1
36		Z93208		-		Battery Cable, Neg 20"	1
37		Z93211		-		Battery Cable, Pos 32"	1
38		Z93304		-		Fuel Line, 1/4" x 12"	1
39		Z93305		-		In-Line Filter, 1/4	1

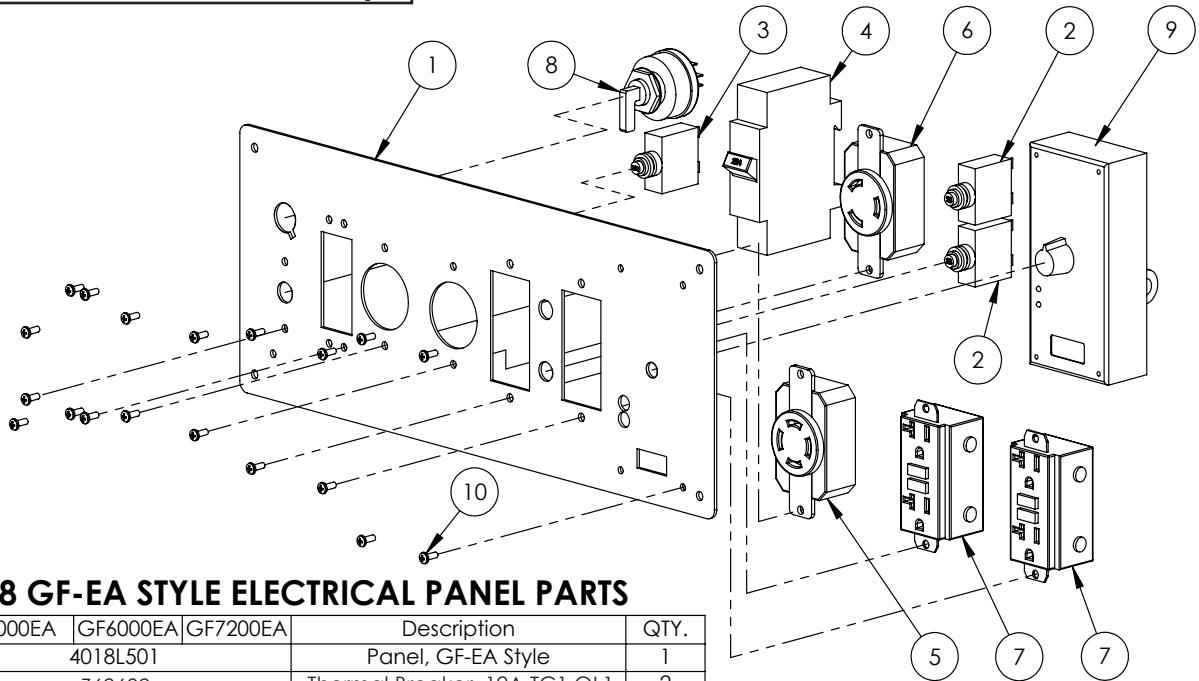
**GF5000A Electrical Panel Assembly**



**4018A108 GF-A STYLE ELECTRICAL PANEL PARTS**

ITEM	GF5000A	GF6000A	Description	QTY.
1	4018L101		Panel, GF-A Style	1
2	Z62602		Thermal Breaker, 12A TC1 OL1	2
3	Z62621	Z62622	Breaker, 20A / 25A	1
4	Z63403		Recp., 30A 125/250V L14-30	1
5	Z63404		Recp., 30A 125V L5-30	1
6	Z63408		Recp., 20A 125V GFCI 5-20R	2
7	Z66203		Control, Auto-Idle	1
8	Z78304		Machine Screw, #6NC x 3/8	16

**GF5000EA Electrical Panel Assembly**



**4018A508 GF-EA STYLE ELECTRICAL PANEL PARTS**

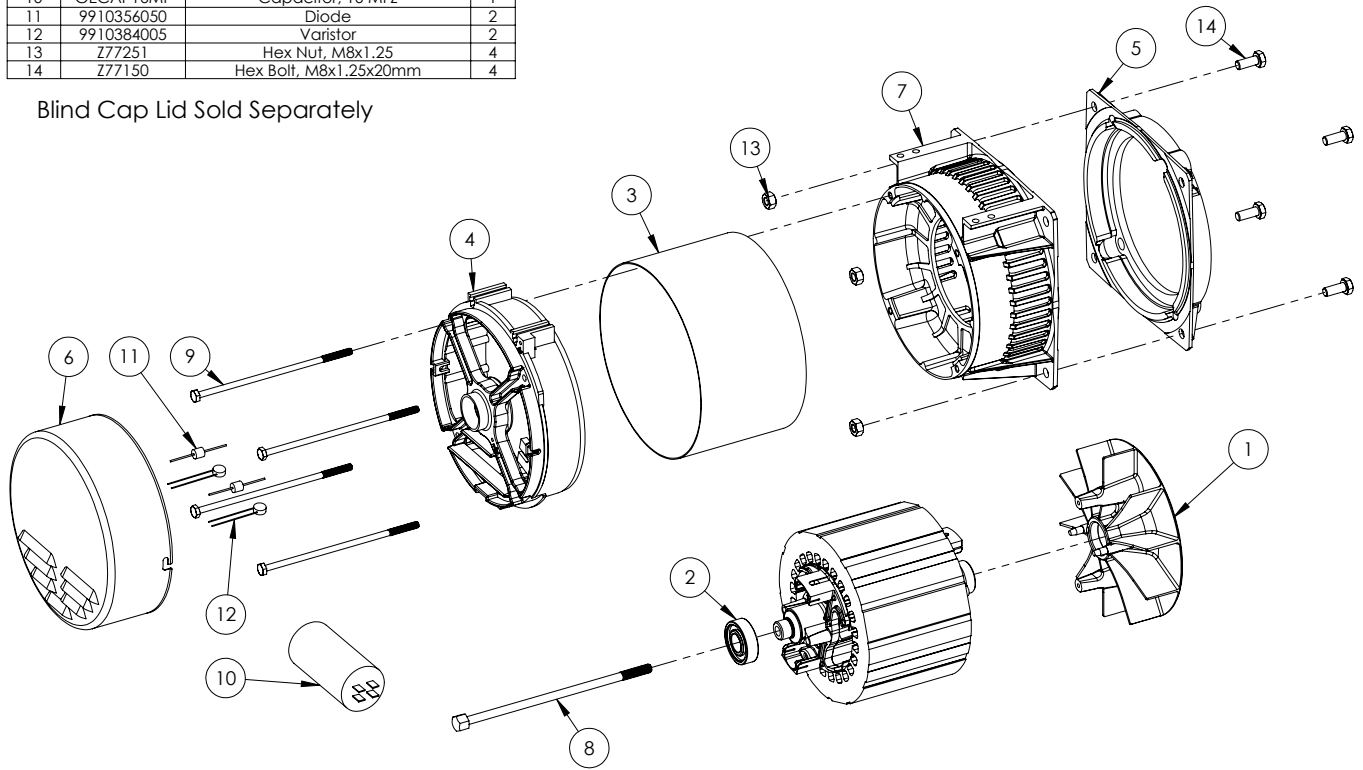
ITEM	GF5000EA	GF6000EA	GF7200EA	Description	QTY.
1	4018L501			Panel, GF-EA Style	1
2	Z62602			Thermal Breaker, 12A TC1 OL1	2
3	Z62615			Popout Breaker, 12V	1
4	Z62621	Z62622	Z62623	Breaker, 20A / 25A / 30A	1
5	Z63403			Recp., 30A 125/250V L14-30	1
6	Z63404			Recp., 30A 125V L5-30	1
7	Z63408			Recp., 20A 125V GFCI 5-20R	2
8	Z66105			Honda Starter, Key Switch	1
9	Z66203			Control, Auto-Idle	1
10	Z78304			Machine Screw, #6NC x 3/8	19

**Alternator**

**4.9kVA ALTERNATOR PARTS**

ITEM	PART NO.	DESCRIPTION	QTY
1	0392000015	Fan	1
2	0390302521	Rear Bearing	1
3	0390601042	Enclosing Band	1
4	0390302209	Non Drive End Bracket	1
5	GES16WINTFLA NGEB	Interchange Flange	1
6	GES16COVER2	Blind Cap Lid	1
7	0391700136	Drive End Bracket	1
8	0391800322	Securing Stud	1
9	GES16W105CB OLTS	Securing Bolt	4
10	GECAP16MF	Capacitor, 16 MFZ	1
11	9910356050	Diode	2
12	9910384005	Varistor	2
13	Z77251	Hex Nut, M8x1.25	4
14	Z77150	Hex Bolt, M8x1.25x20mm	4

Blind Cap Lid Sold Separately



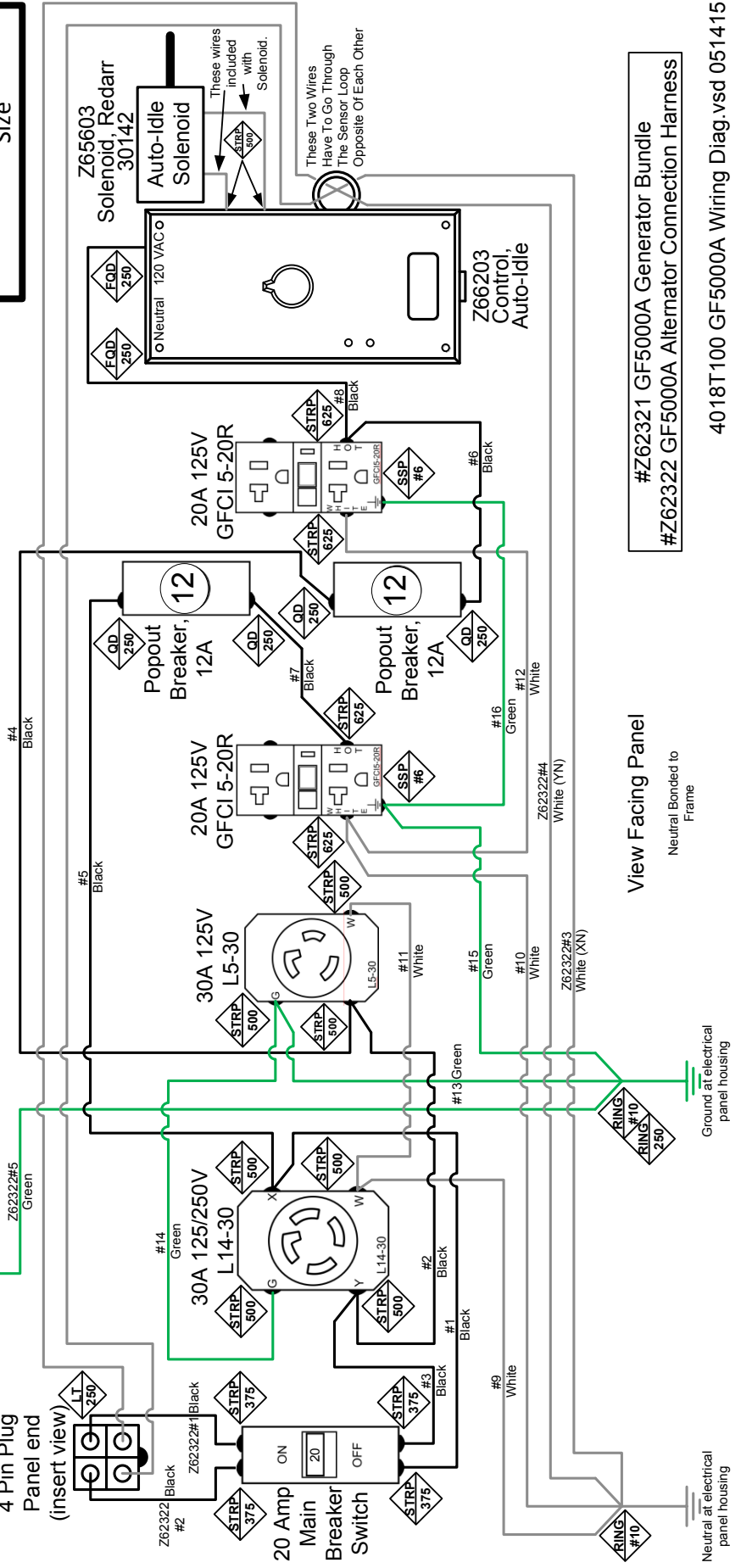
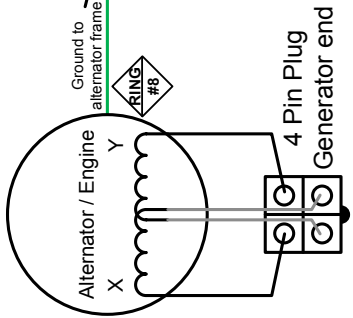


**GF5000A Wiring Diagram**

Connection Identification	
<b>Connection Type</b>	<b>Sizes:</b>
QD Male/Female Quick Disconnect	#6
SR Serrated Ring	#8
SSP Snap Spade	#10
FOD Flag Quik Disconnect	0.156"
PQD Piggy Back Quik Disconnect	0.250"
STRP Strip	0.313"
SPDE Spade	0.500"
RING Ring	0.750"
HOOK Hook	
BILT Male/Female Bullet	
LT Lock Tab	

Connection Type	Connection Size
QD	250

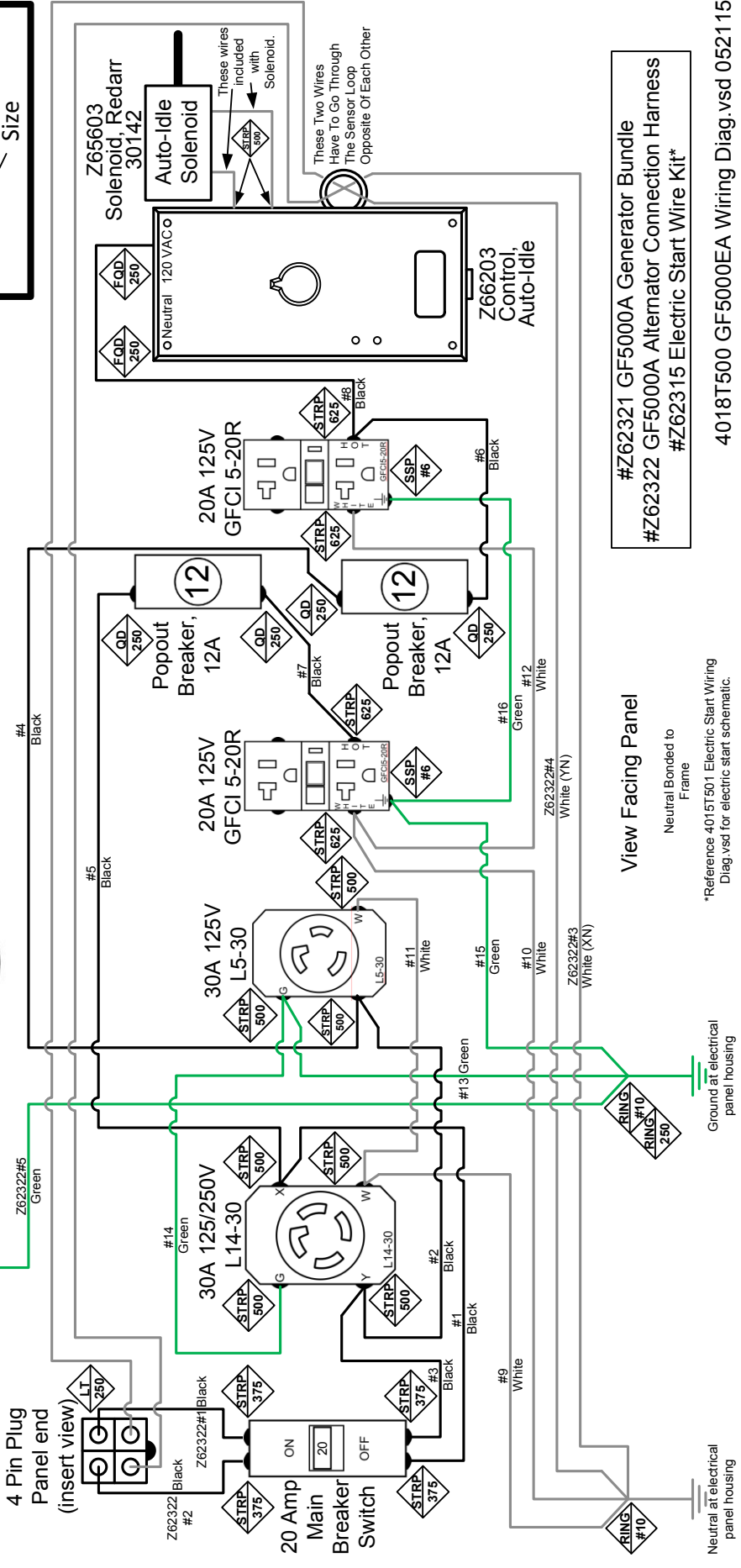
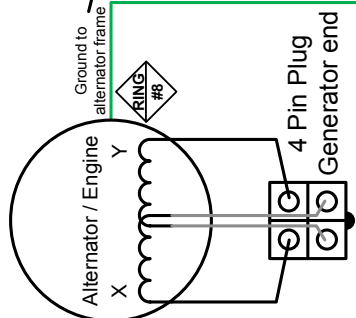
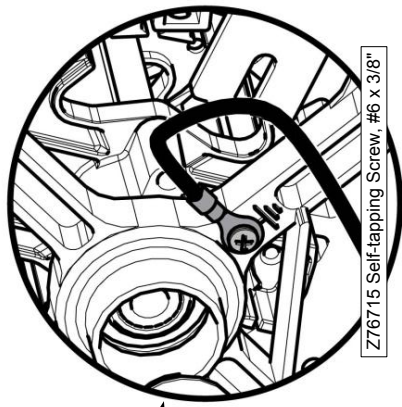


#Z62321 GF5000A Generator Bundle  
 #Z62322 GF5000A Alternator Connection Harness

4018T100 GF5000A Wiring Diag.vsd 051415

**GF5000EA Wiring Diagram**

Connection Identification	
Connection Type	Sizes:
QD Male/Female Quick Disconnect	#6
SR Serrated Ring	#8
SSP Snap Spade	#10
FQD Flag Quik Disconnect	0.156"
PQD Piggy Back Quik Disconnect	0.250"
STRP Strip	0.313"
SPDE Spade	0.500"
RING Ring	0.750"
HOOX Hook	
BLLT Male/Female Bullet	
LT Lock Tab	



#Z62321 GF5000A Generator Bundle  
 #Z62322 GF5000A Alternator Connection Harness  
 #Z62315 Electric Start Wire Kit\*

4018T500 GF5000EA Wiring Diag.vsd 052115

View Facing Panel

Neutral Bonded to Frame

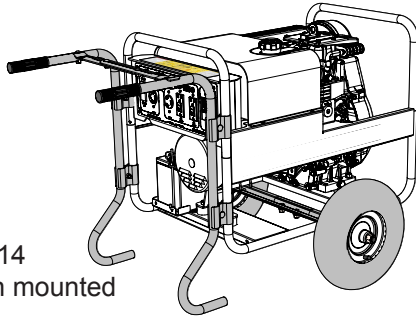
\*Reference 4015T501 Electric Start Wiring Diag.vsd for electric start schematic.

Ground at electrical panel housing

Neutral at electrical panel housing

## Accessories

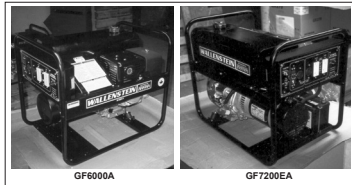
Call your dealer for pricing and availability



#WK214  
Shown mounted

#WK210 TWO WHEEL KIT WITH 10" TIRES  
#WK214 TWO WHEEL KIT WITH 14" TIRES

A must have add on kit for true portability!  
Kit consist of handles and axle with tires The kit is easy to install and simply clamps on to the existing frame.



PORTABLE GENERATOR  
MODEL GF5000A, GF5000EA,  
GF6000A, GF6000EA & GF7200EA

OPERATOR'S MANUAL

### #Z97034 GF PORTABLE GENERATOR OPERATOR'S MANUAL

Available as a download at  
[www.embmfg.com](http://www.embmfg.com)