

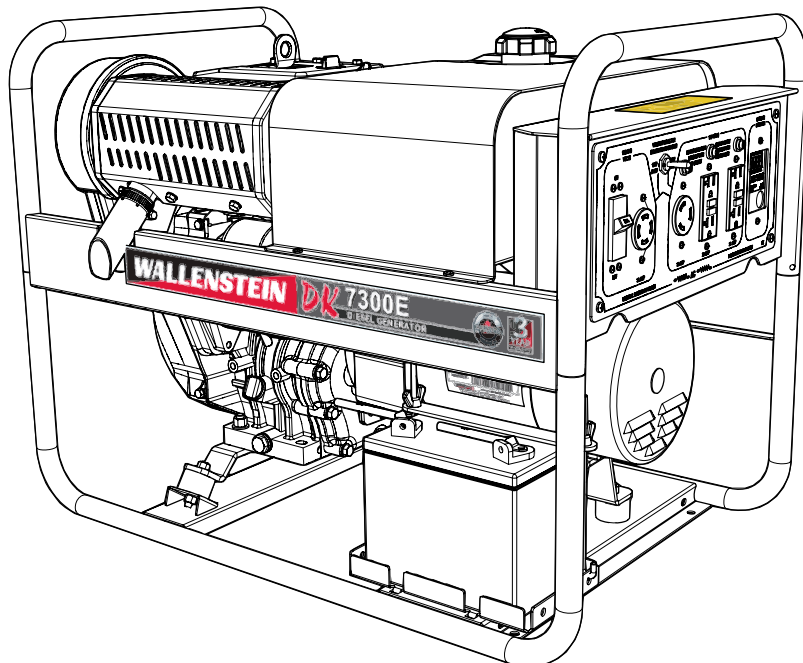


EMB Manufacturing Inc.
4144 Boomer Line · St. Clements, On · N0B 2M0 · Canada
Ph: (519) 699-9283 · Fax: (519) 699-4146
www.embmfg.com

DK7300E

Generator Parts Manual

Starting with S/N's
DK70001 to DK70024



Refer to the operators
manual for safe
operation and
maintenance

Foreword

EMB Mfg. has prepared this parts manual to assist customers in ordering quality OEM replacement parts.

Proper and regular service and replacing old, worn or broken parts with the correct OEM parts are essential to prolonging the life of your EMB product. Please refer to this manual before ordering any replacement parts.

All information contained in this parts manual is based on the latest product specification available at the time of printing this manual. If your product differs from the specifications contained within this manual contact EMB Mfg. for information.

EMB reserves the right to alter specifications on their products at any time.

Reproduction of this parts manual of any kind is prohibited without prior written permission from EMB Mfg.

For parts and information please contact your dealer. If your dealer is no longer available please go to our website: <http://www.embmfg.com> and click on "FIND A DEALER NEAR YOU" for information on a local dealer.

Table of Contents

Bolt Torque..... 4
DK7300E Main Assembly..... 5
Frame & Engine / Alternator Assembly 6
Electrical Panel Assembly 7
Wiring Diagram..... 8
Label Layout..... 9
Accessories..... 10

Alternator: Mecc Alte Inc. S16W-###/# Below are alternator parts available from Wallenstein. For other parts and maintenance or repair information please refer to the Mecc Alte alternator manual that shipped with the generator.			
1	Non Drive End Bracket	390302209	
2	Fan	392000015	
3	Rear Bearing 6203-2ZC3	390302521	
4	Diode	9910356050	
5	Varistor	9910384005	
6	Capacitor # :see chart below		
Find the value of the capacitor in your alternator, and match it to the list shown here for the correct order part number.		GECAP14MF	14 MF CAPACITOR
		GECAP16MF	16 MF Capacitor
		GECAP18MF	Capacitor, 18 MFZ
		GECAP20MF	Capacitor 20MFZ
		GECAP25MF	Capacitor 25MFZ
		GECAP31MF	Capacitor, 31.5 MFZ
		GECAP35MF	35 MF CAPACITOR
		GECAP40MF	40 MF CAPACITOR

Alternator maintenance should be performed by trained personnel only.



Exercise extreme caution when working with exposed wiring of the alternator, be aware that high voltage discharge of the capacitor is a danger.

Bolt Torque

CHECKING BOLT TORQUE

The tables shown below give correct torque values for various bolts and capscrews. Tighten all bolts to the torques specified in chart unless otherwise noted. Check tightness of bolts periodically, using bolt torque chart as a guide. Replace hardware with the same strength bolt.

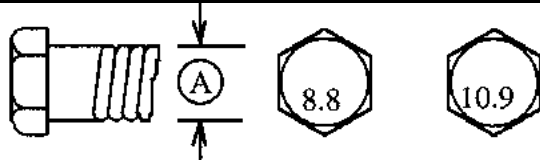
ENGLISH TORQUE SPECIFICATIONS						
Bolt Diameter "A"	Bolt Torque*					
	SAE 2 (N.m) (lb-ft)		SAE 5 (N.m) (lb-ft)		SAE 8 (N.m) (lb-ft)	
1/4"	8	6	12	9	17	12
5/16"	13	10	25	19	36	27
3/8"	27	20	45	33	63	45
7/16"	41	30	72	53	100	75
1/2"	61	45	110	80	155	115
9/16"	95	60	155	115	220	165
5/8"	128	95	215	160	305	220
3/4"	225	165	390	290	540	400
7/8"	230	170	570	420	880	650
1"	345	225	850	630	1320	970



Torque figures indicated above are valid for non-greased or non-oiled threads and heads unless otherwise specified. Therefore, do not grease or oil bolts or capscrews unless otherwise specified in this manual. When using locking elements, increase torque values by 5%.

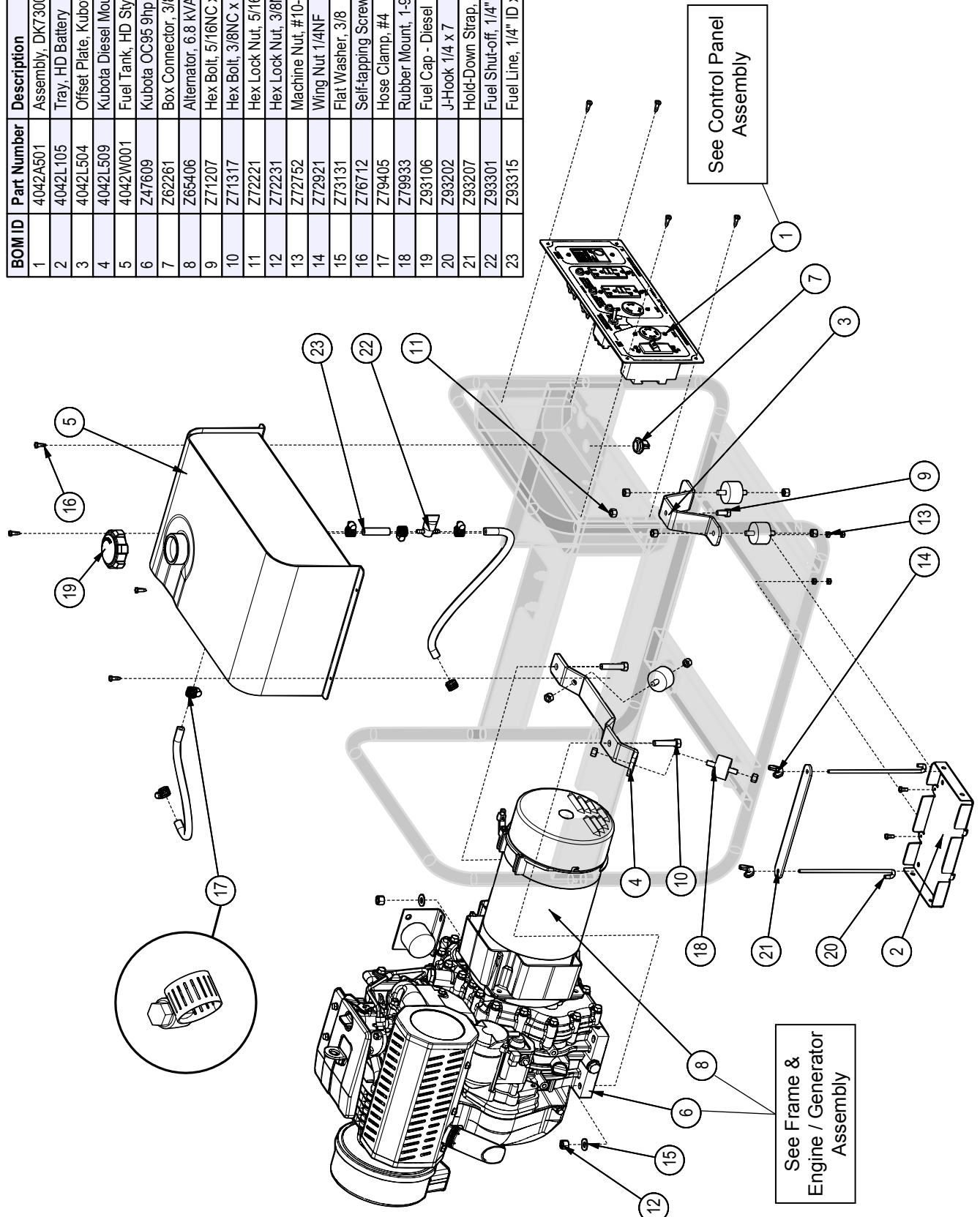
* Torque value for bolts and capscrews are identified by their head markings.

METRIC TORQUE SPECIFICATIONS				
Bolt Diameter "A"	Bolt Torque*			
	8.8 (N.m) (lb-ft)		10.9 (N.m) (lb-ft)	
M3	0.5	0.4	1.8	1.3
M4	3	2.2	4.5	3.3
M5	6	4	9	7
M6	10	7	15	11
M8	25	18	35	26
M10	50	37	70	52
M12	90	66	125	92
M14	140	103	200	148
M16	225	166	310	229
M20	435	321	610	450
M24	750	553	1050	774
M30	1495	1103	2100	1550
M36	2600	1917	3675	2710



DK7300E Main Assembly

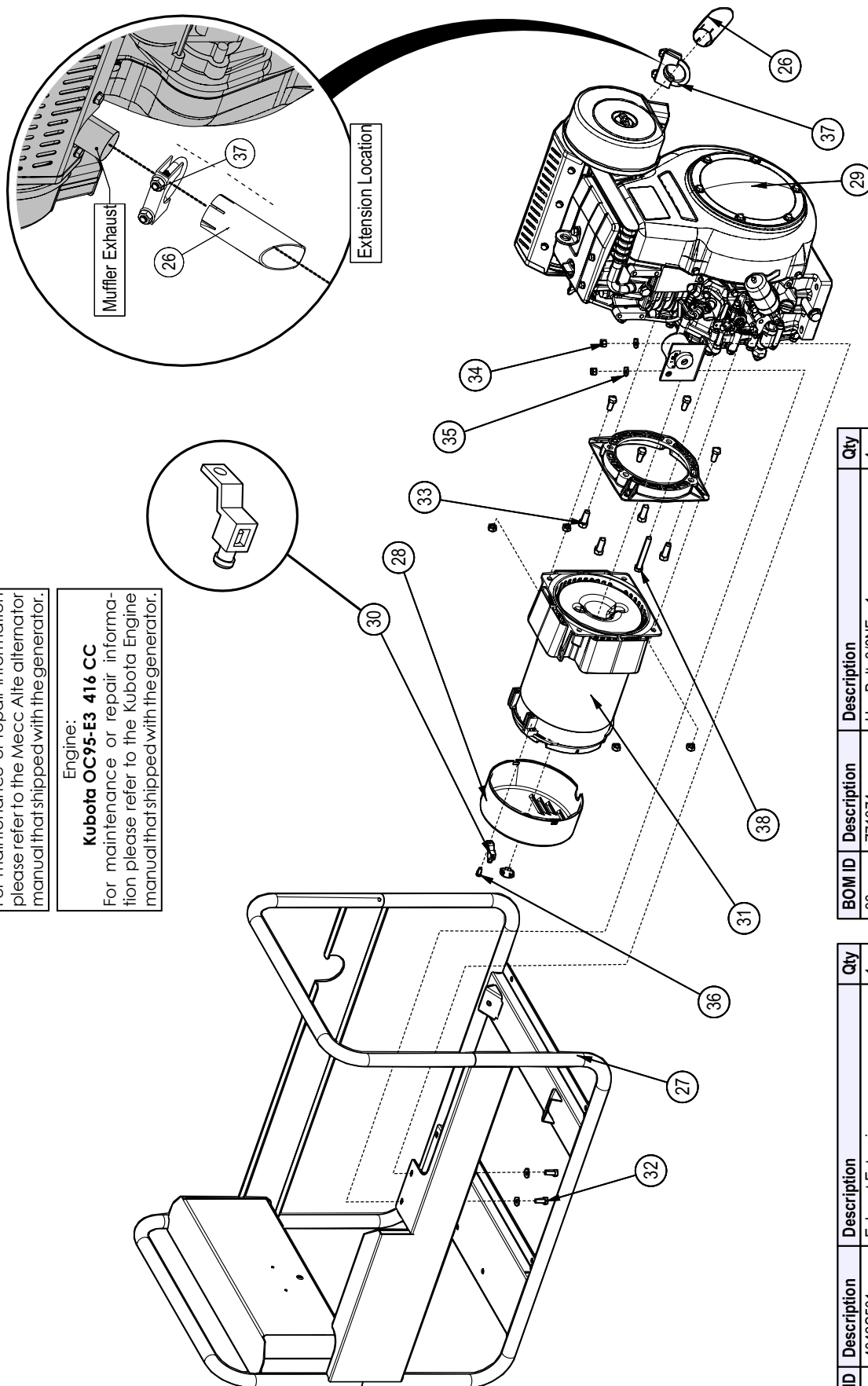
BOM ID	Part Number	Description	Qty
1	404A501	Assembly, DK7300E Panel	1
2	4042L105	Tray, HD Battery	1
3	4042L504	Offset Plate, Kubota OC95	1
4	4042L509	Kubota Diesel Mounting Bracket	1
5	4042W001	Fuel Tank, HD Style	1
6	Z47609	Kubota OC95 9hp Diesel Engine	1
7	Z62261	Box Connector, 3/8	1
8	Z65406	Alternator, 6.8 kVA	1
9	Z71207	Hex Bolt, 5/16NC x 3/4	1
10	Z71317	Hex Bolt, 3/8NC x 1-3/4	2
11	Z72221	Hex Lock Nut, 5/16NC	9
12	Z72231	Hex Lock Nut, 3/8NC	2
13	Z72752	Machine Nut, #10-32NF	4
14	Z72921	Wing Nut 1/4NF	2
15	Z73131	Flat Washer, 3/8	2
16	Z76712	Self-tapping Screw #10	8
17	Z79405	Hose Clamp, #4	6
18	Z79933	Rubber Mount, 1-9/16 x 1 x 5/16NC	4
19	Z93106	Fuel Cap - Diesel	1
20	Z93202	J-Hook 1/4 x 7	2
21	Z93207	Hold-Down Strap, 1 x 8-1/2	1
22	Z93301	Fuel Shut-off, 1/4"	1
23	Z93315	Fuel Line, 1/4" ID x	3



Frame & Engine / Alternator Assembly

Alternator:
Mecc Alte Inc. S16W-150/A
 See parts chart page 3
 For maintenance or repair information please refer to the Mecc Alte alternator manual that shipped with the generator.

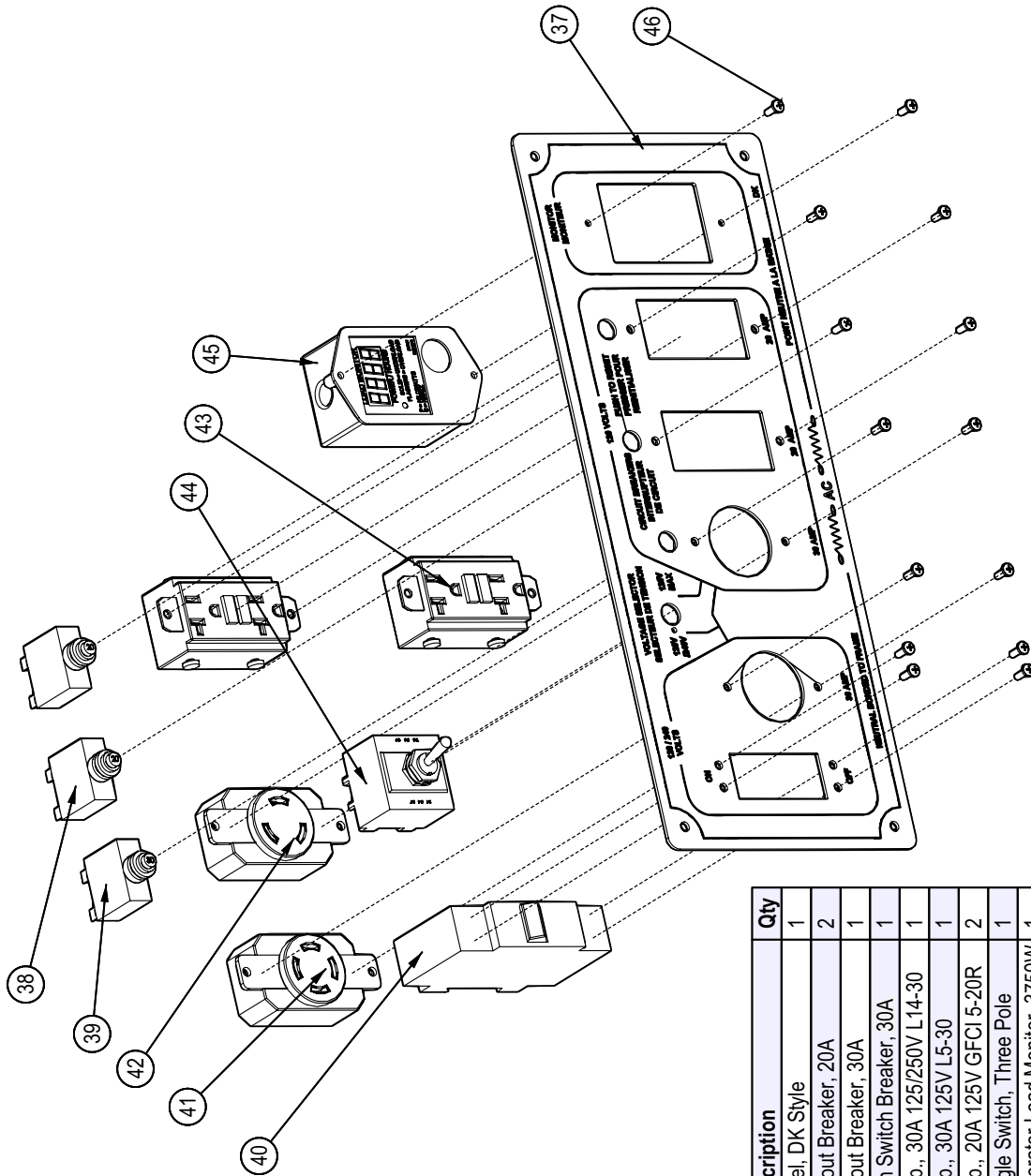
Engine:
Kubota OC95-E3 416 CC
 For maintenance or repair information please refer to the Kubota Engine manual that shipped with the generator.



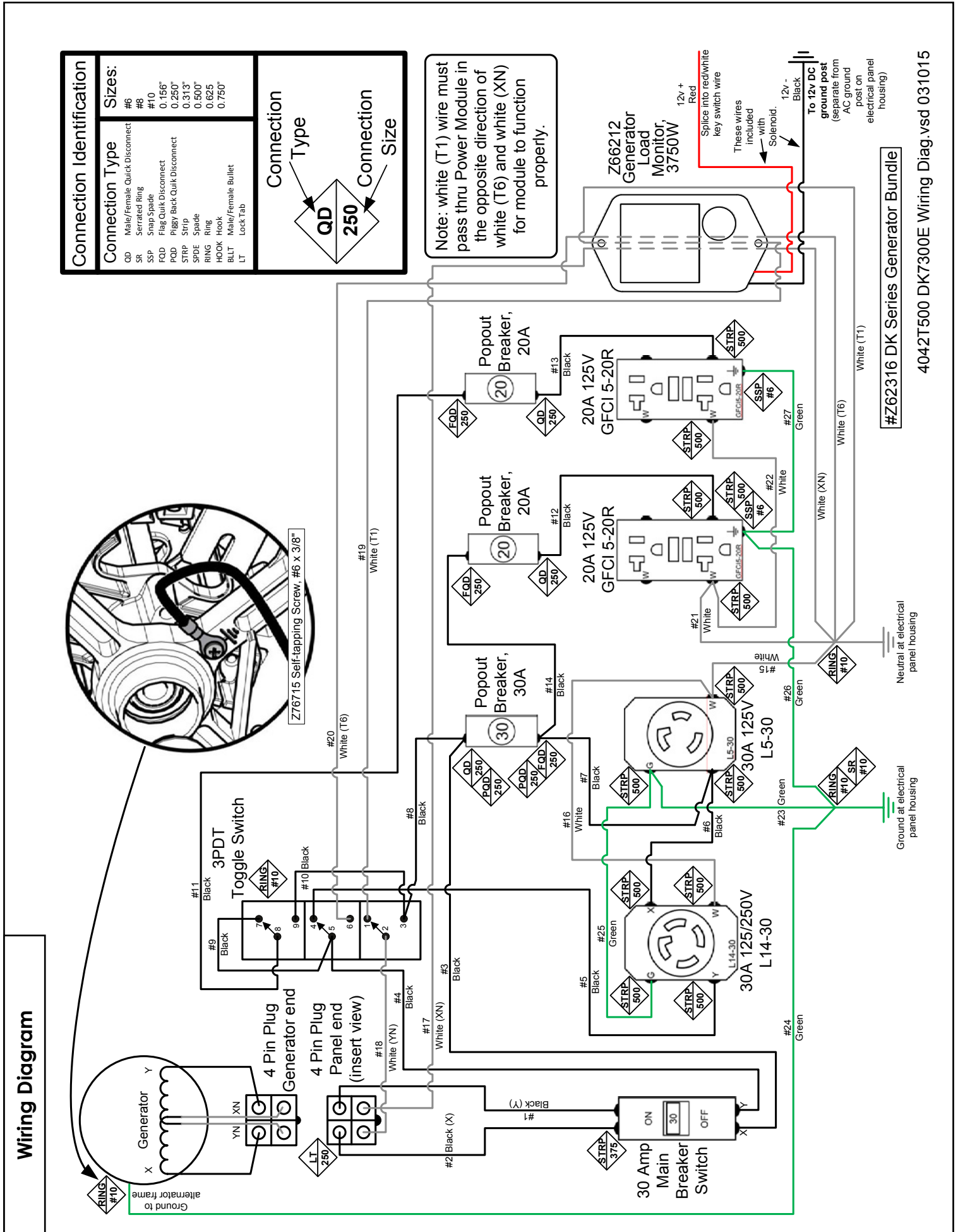
BOM ID	Description	Qty
26	4042S501 Exhaust Extension	1
27	4042W501 Main Frame, DK7300	1
28	GES16COVER2 Blind Cap Lid	1
29	Z47609 Kubota OC95 9hp Diesel Engine	1
30	Z62711 Grounding Terminal, 6-14	1
31	Z65406 Alternator, 6.8 kVA	1
32	Z71107 Hex Bolt, 1/4NC x 3/4	2

BOM ID	Description	Qty
33	Z71374 Hex Bolt, 3/8NF x 1	4
34	Z72211 Hex Lock Nut, 1/4NC	2
35	Z73111 Flat Washer, 1/4	4
36	Z78303 Machine Screw, #10-32NF x 1/2	1
37	Z79401 Muffler Clamp, 1-1/2"	1
38	Z771591 Hex Bolt, M8x1.25x70mm Full Threads	1

Electrical Panel Assembly



BOM ID	Part Number	Description	Qty
37	4042L107	Panel, DK Style	1
38	Z62612	Popout Breaker, 20A	2
39	Z62614	Popout Breaker, 30A	1
40	Z62623	Main Switch Breaker, 30A	1
41	Z63403	Recp., 30A 125/250V L14-30	1
42	Z63404	Recp., 30A 125V L5-30	1
43	Z63408	Recp., 20A 125V GFCI 5-20R	2
44	Z66110	Toggle Switch, Three Pole	1
45	Z66212	Generator Load Monitor, 3750W	1
46	Z78304	Machine Screw, #6-32NC x 3/8	14



Label Layout

⚠ DANGER! Lire le manuel avant d'allumer l'engin. Observez les instructions de sécurité. Ne pas utiliser sans la protection de sécurité. Lire le manuel avant d'allumer l'engin. Observez les instructions de sécurité. Ne pas utiliser sans la protection de sécurité.

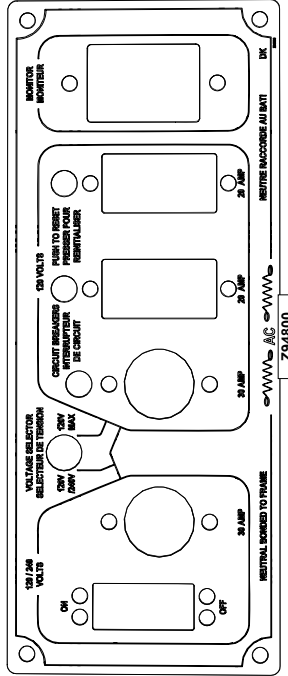
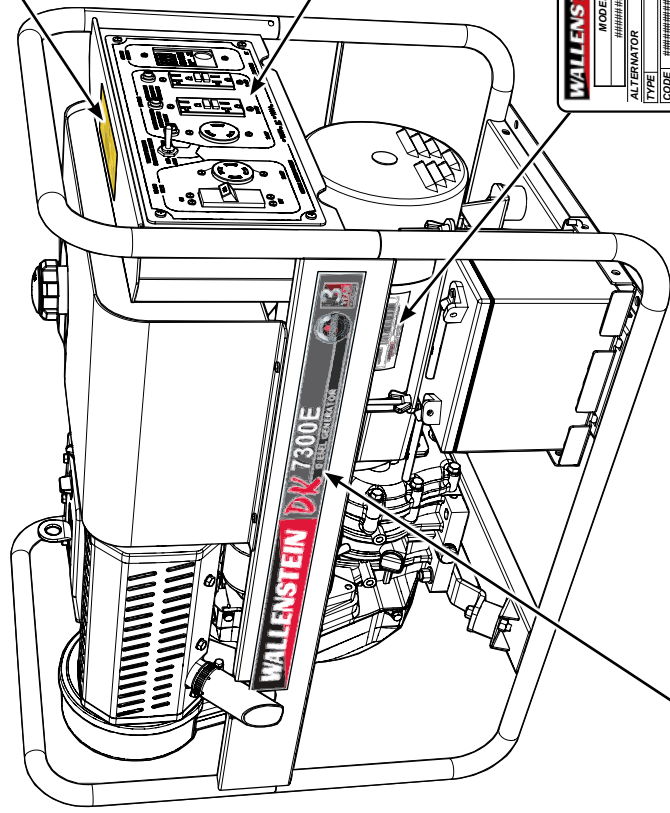
Caution: Do not touch the fuel injection system. Do not touch the fuel injection system. Do not touch the fuel injection system.

Ne touchez pas le système d'injection de carburant. Ne touchez pas le système d'injection de carburant. Ne touchez pas le système d'injection de carburant.

⚠ Attenzione!

This diesel generator is designed to operate at moderate to high load. Operating at medium to no load for extended periods may cause engine failure. The Power Monitor feature will log and indicate (red indicator) under-load conditions. Under-load conditions will occur if the generator is not loaded properly. Read the owners manual.

Cette génératrice au diesel a été conçue pour fonctionner à régime modéré ou élevé. Un fonctionnement à charge moyenne ou nulle pendant de longues périodes peut entraîner la panne. La fonctionnalité de la détection de charge faible (indicateur rouge) enregistrera et indiquera les conditions de charge faible. Les conditions de charge faible surviendront si la charge n'est pas correctement appliquée. Lire le manuel d'entretien.



WALLENSTEIN SERIAL LABEL

MODEL #/TYPE #/SERIAL NUMBER

ALTERNATOR

TYPE	PHASE	1
CODE	SERVICE	S1
KVA #/KVA #/V	AMPS	###/###/###
GVSP/PHI	Hz (50)	###/###
BEARING	KG	###/###
	CONNECTION	###/###

www.embmfg.com

Serial Label

WALLENSTEIN **DK 7300E** DIESEL GENERATOR

Z94656

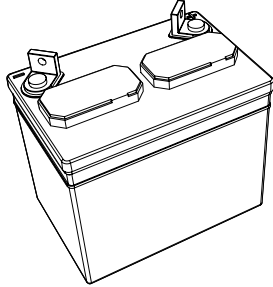
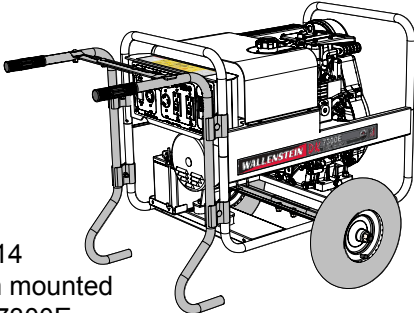

Two Slides

3 YEAR WARRANTY

CANADA

Accessories

Call your dealer for pricing and availability

 <p>#Z93204</p>	<p>#Z93204 U1 250CCA Lawn & Garden Battery</p> <p>The perfect battery to reliably get your generator started.</p>
 <p>#WK214 Shown mounted on DK7300E</p>	<p>#WK210 TWO WHEEL KIT WITH 10" TIRES #WK214 TWO WHEEL KIT WITH 14" TIRES</p> <p>A must have add on kit for true portability! Kit consist of handles and axle with tires The kit is easy to install and simply clamps on to the existing frame.</p>
	<p>#Z97077 DK5000E & DK7300E PORTABLE DIESEL GENERATOR OPERATOR'S MANUAL</p> <p>Available as a download at www.embmfg.com</p>