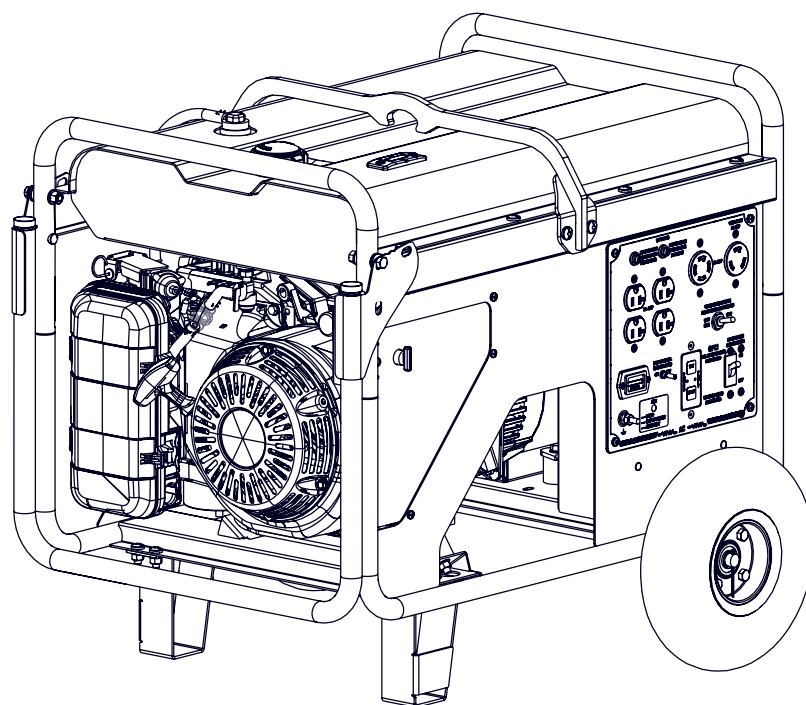




EMB Manufacturing Inc.
4144 Boomer Line · St. Clements, On · N0B 2M0 · Canada
Ph: (519) 699-9283 · Fax: (519) 699-4146
www.embmfg.com

WCS7000 / WCS7000R Generator Parts Manual

Starting with S/N's
WCS7000 - 77000
WCS7000R - 78000



Refer to the operators
manual for safe
operation and
maintenance

Foreword

EMB Mfg. has prepared this parts manual to assist customers in ordering quality OEM replacement parts.

Proper and regular service and replacing old, worn or broken parts with the correct OEM parts are essential to prolonging the life of your EMB product. Please refer to this manual before ordering any replacement parts.

All information contained in this parts manual is based on the latest product specification available at the time of printing this manual. If your product differs from the specifications contained within this manual contact EMB Mfg. for information.

EMB reserves the right to alter specifications on their products at any time.

Reproduction of this parts manual of any kind is prohibited without prior written permission from EMB Mfg.

For parts and information please contact your dealer. If your dealer is no longer available please go to our website: <http://www.embmfg.com> and click on "FIND A DEALER NEAR YOU" for information on a local dealer.

Table of Contents

Bolt Torque..... 4
WCS7000 / WCS7000R Main Assembly..... 5
Engine / Generator Assembly..... 6
Frame Assembly 7
Electrical Panel Assembly 8
Fuel Tank Assembly & Fuel Lines..... 9
Wiring Diagram 11
Label Layout..... 12
Accessories..... 13

Alternator: Mecc Alte Inc. S16W-150/A Below are alternator parts available from Wallenstein. For other parts and maintenance or repair information please refer to the Mecc Alte alternator manual that shipped with the generator.			
1	Non Drive End Bracket	390302209	
2	Fan	392000015	
3	Rear Bearing 6203-2ZC3	390302521	
4	Diode	9910356050	
5	Varistor	9910384005	
6	Capacitor # :see chart below		
Find the value of the capacitor in your alternator, and match it to the list shown here for the correct order part number.		GECAP14MF	14 MF CAPACITOR
		GECAP16MF	16 MF Capacitor
		GECAP18MF	Capacitor, 18 MFZ
		GECAP20MF	Capacitor 20MFZ
		GECAP25MF	Capacitor 25MFZ
		GECAP31MF	Capacitor, 31.5 MFZ
		GECAP35MF	35 MF CAPACITOR
		GECAP40MF	40 MF CAPACITOR

Alternator maintenance should be performed by trained personnel only.



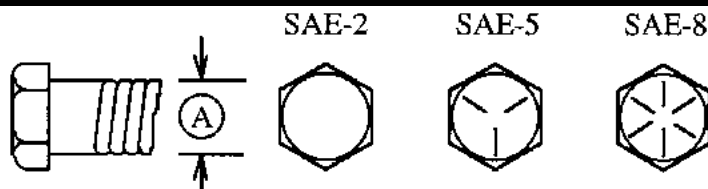
Exercise extreme caution when working with exposed wiring of the alternator, be aware that high voltage discharge of the capacitor is a danger.

Bolt Torque

CHECKING BOLT TORQUE

The tables shown below give correct torque values for various bolts and capscrews. Tighten all bolts to the torques specified in chart unless otherwise noted. Check tightness of bolts periodically, using bolt torque chart as a guide. Replace hardware with the same strength bolt.

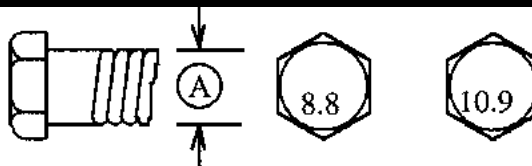
ENGLISH TORQUE SPECIFICATIONS						
Bolt Diameter "A"	Bolt Torque*					
	SAE 2 (N.m) (lb-ft)		SAE 5 (N.m) (lb-ft)		SAE 8 (N.m) (lb-ft)	
1/4"	8	6	12	9	17	12
5/16"	13	10	25	19	36	27
3/8"	27	20	45	33	63	45
7/16"	41	30	72	53	100	75
1/2"	61	45	110	80	155	115
9/16"	95	60	155	115	220	165
5/8"	128	95	215	160	305	220
3/4"	225	165	390	290	540	400
7/8"	230	170	570	420	880	650
1"	345	225	850	630	1320	970



Torque figures indicated above are valid for non-greased or non-oiled threads and heads unless otherwise specified. Therefore, do not grease or oil bolts or capscrews unless otherwise specified in this manual. When using locking elements, increase torque values by 5%.

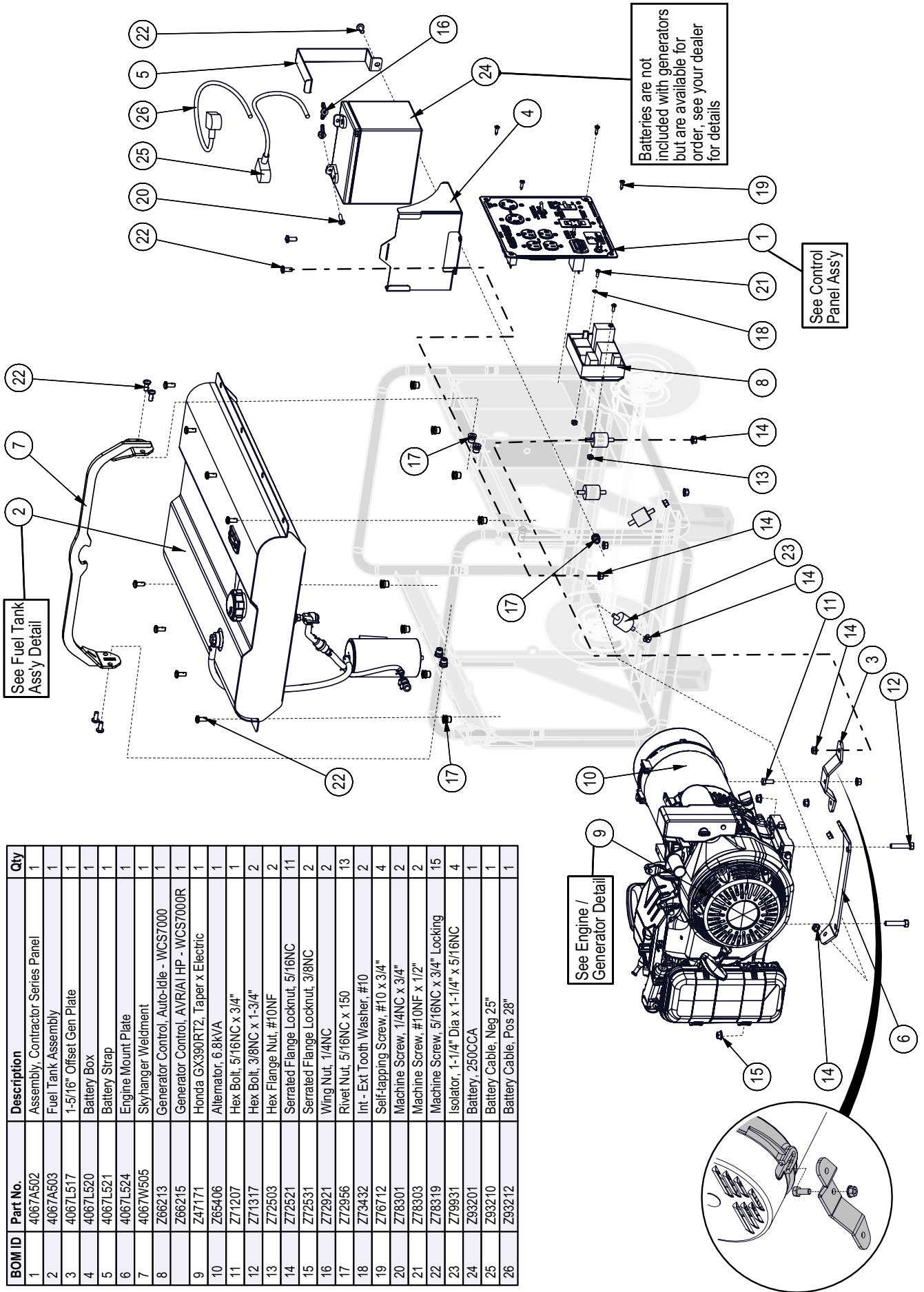
* Torque value for bolts and capscrews are identified by their head markings.

METRIC TORQUE SPECIFICATIONS				
Bolt Diameter "A"	Bolt Torque*			
	8.8 (N.m) (lb-ft)		10.9 (N.m) (lb-ft)	
M3	0.5	0.4	1.8	1.3
M4	3	2.2	4.5	3.3
M5	6	4	9	7
M6	10	7	15	11
M8	25	18	35	26
M10	50	37	70	52
M12	90	66	125	92
M14	140	103	200	148
M16	225	166	310	229
M20	435	321	610	450
M24	750	553	1050	774
M30	1495	1103	2100	1550
M36	2600	1917	3675	2710

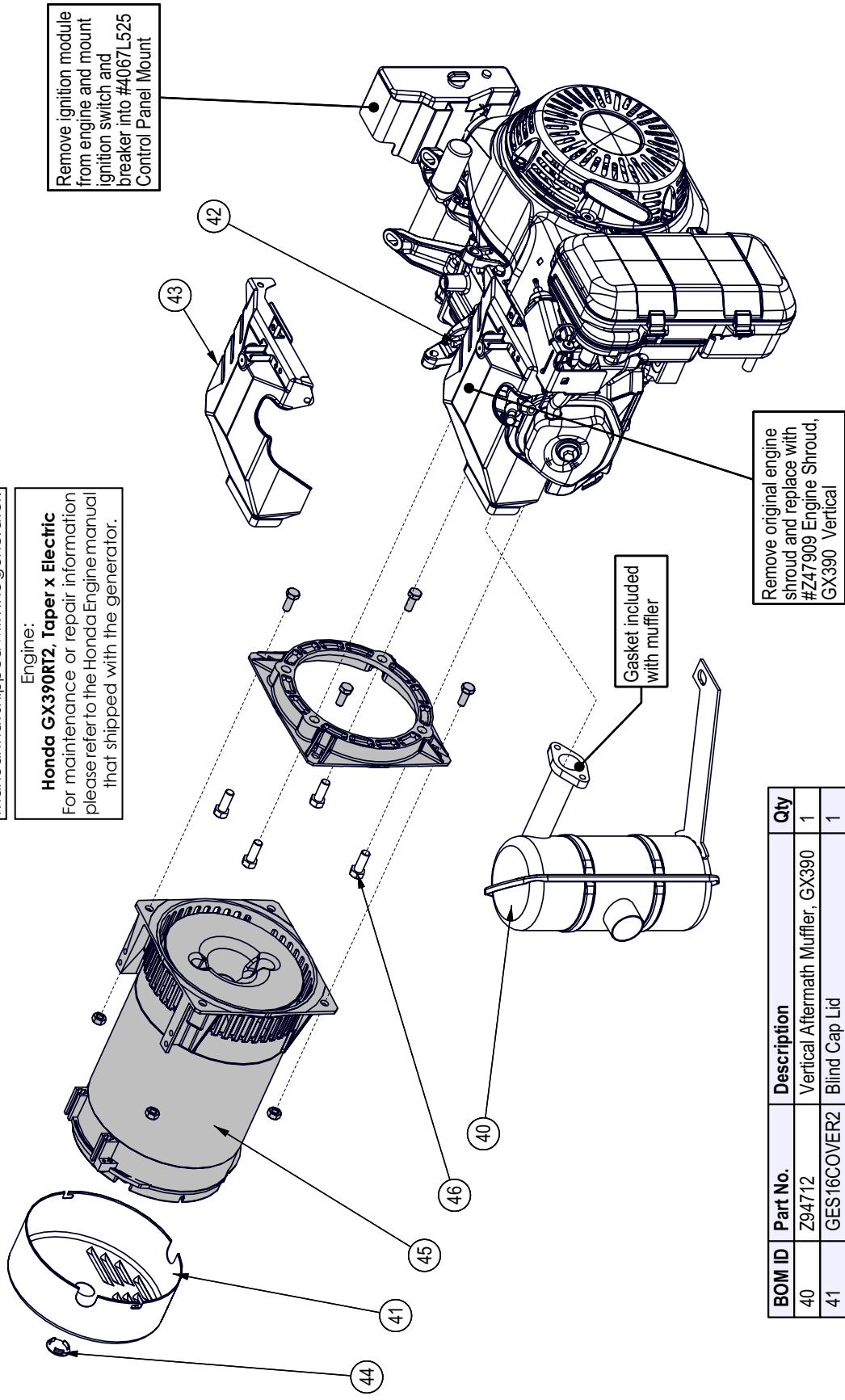


WCS7000 Main Assembly

BOM ID	Part No.	Description	Qty
1	4067A502	Assembly, Contractor Series Panel	1
2	4067A503	Fuel Tank Assembly	1
3	4067L517	1-5/16" Offset Gen Plate	1
4	4067L520	Battery Box	1
5	4067L521	Battery Strap	1
6	4067L524	Engine Mount Plate	1
7	4067W505	Skyhanger Weldment	1
8	Z66213	Generator Control, Auto-Idle - WCS7000	1
9	Z66215	Generator Control, AVR/1HP - WCS7000R	1
10	Z47171	Honda GX390RT2, Taper x Electric	1
11	Z65406	Alternator, 6.8kVA	1
12	Z71207	Hex Bolt, 5/16NC x 3/4"	1
13	Z71317	Hex Bolt, 3/8NC x 1-3/4"	2
14	Z72503	Hex Flange Nut, #10NF	2
15	Z72521	Serrated Flange Locknut, 5/16NC	11
16	Z72531	Serrated Flange Locknut, 3/8NC	2
17	Z72921	Wing Nut, 1/4NC	2
18	Z72956	Rivet Nut, 5/16NC x 150	13
19	Z73432	Int - Ext Tooth Washer, #10	2
20	Z76712	Self-tapping Screw, #10 x 3/4"	4
21	Z78301	Machine Screw, 1/4NC x 3/4"	2
22	Z78303	Machine Screw, #10NF x 1/2"	2
23	Z78319	Machine Screw, 5/16NC x 3/4" Locking	15
24	Z79931	Isolator, 1-1/4" Dia x 1-1/4" x 5/16NC	4
25	Z93201	Battery, 250CCA	1
26	Z93210	Battery Cable, Neg 25"	1
26	Z93212	Battery Cable, Pos 28"	1



Engine / Alternator Assembly



Remove ignition module from engine and mount ignition switch and breaker into #4067L525 Control Panel Mount

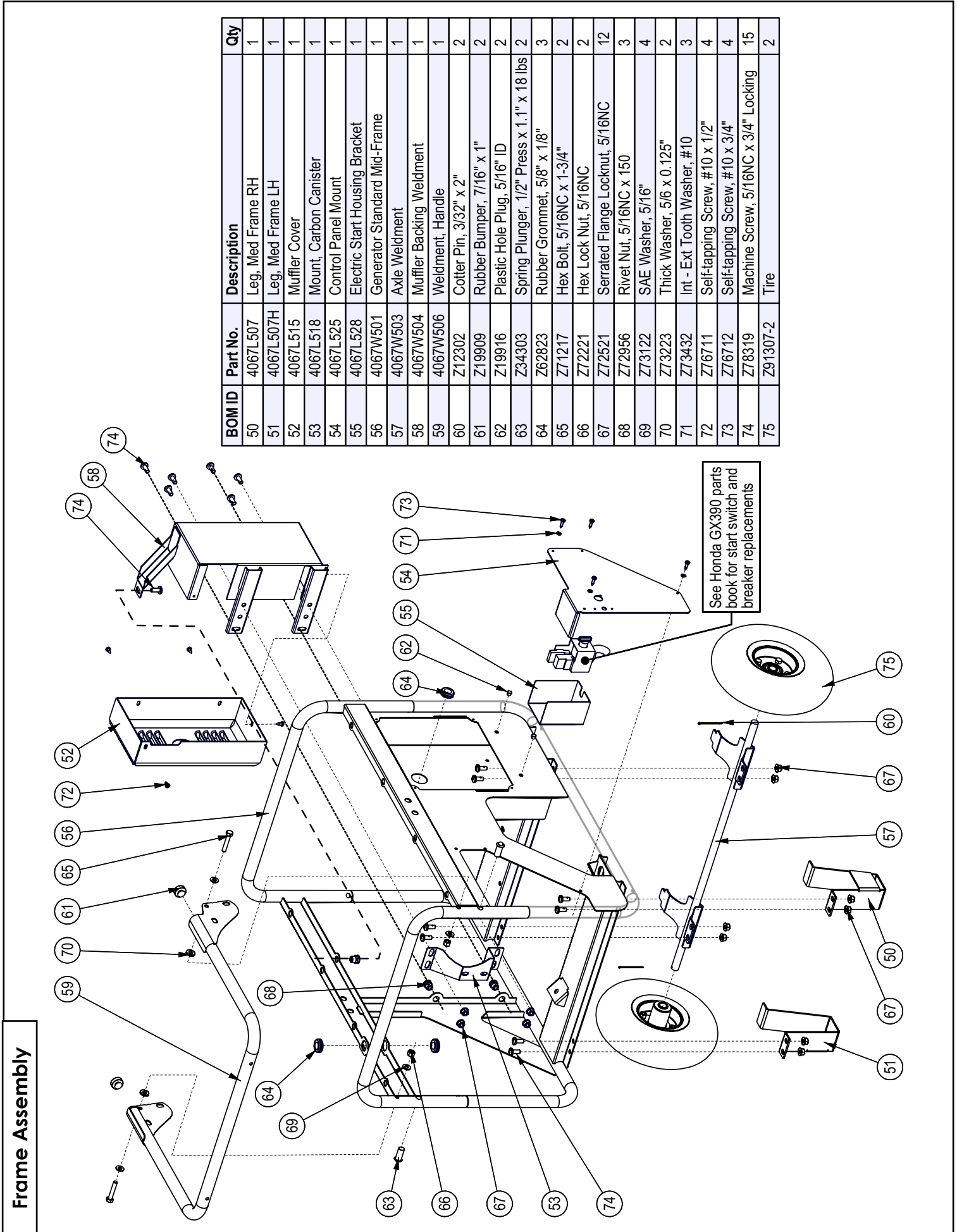
Remove original engine shroud and replace with #Z47909 Engine Shroud, GX390 Vertical

Gasket included with muffler

Alternator:
Mecc Alte Inc. S16W-150/A
 See parts chart page 3
 For maintenance or repair information please refer to the Mecc-Alte alternator manual that shipped with the generator.

Engine:
Honda GX390RT2, Taper x Electric
 For maintenance or repair information please refer to the Honda Engine manual that shipped with the generator.

BOM ID	Part No.	Description	Qty
40	Z94712	Vertical Aftermath Muffler, GX390	1
41	GES16COVER2	Blind Cap Lid	1
42	Z47171	Honda GX390RT2, Taper x Electric	1
43	Z47909	Engine Shroud, GX390 Vertical	1
44	Z65405-12	Cap, Plastic Plug	1
45	Z65406	Alternator, 6.8kVA	1
46	Z71374	Hex Bolt, 3/8NF x 1"	4

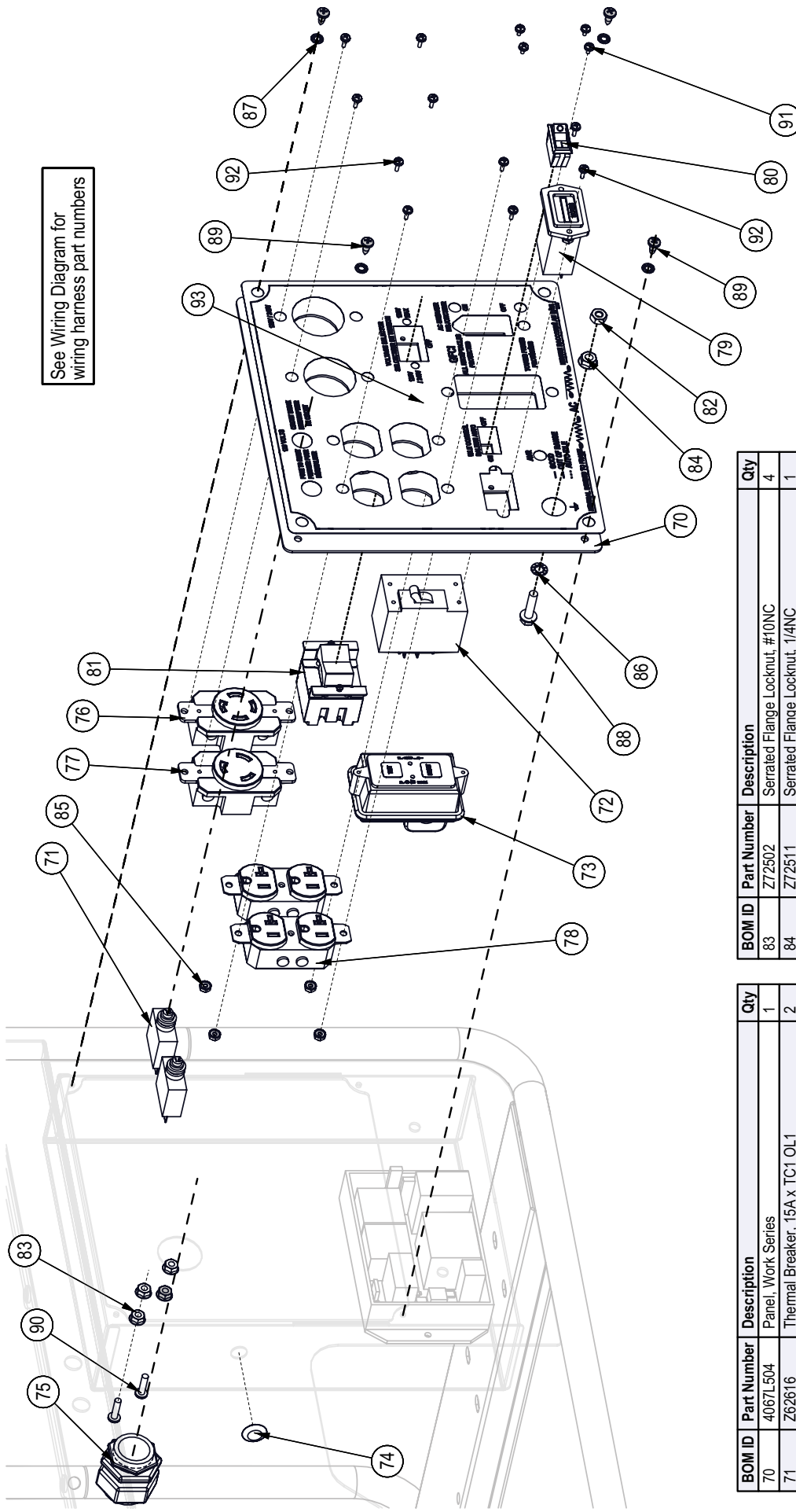


BOM ID	Part No.	Description	Qty
50	4067L507	Leg, Med Frame RH	1
51	4067L507H	Leg, Med Frame LH	1
52	4067L515	Muffler Cover	1
53	4067L518	Mount, Carbon Canister	1
54	4067L525	Control Panel Mount	1
55	4067L528	Electric Start Housing Bracket	1
56	4067W501	Generator Standard Mid-Frame	1
57	4067W503	Axle Weldment	1
58	4067W504	Muffler Backing Weldment	1
59	4067W506	Weldment, Handle	1
60	Z12302	Cotter Pin, 3/32" x 2"	2
61	Z19909	Rubber Bumper, 7/16" x 1"	2
62	Z19916	Plastic Hole Plug, 5/16" ID	2
63	Z34303	Spring Plunger, 1/2" Press x 1.1" x 18 lbs	2
64	Z62823	Rubber Grommet, 5/8" x 1/8"	3
65	Z71217	Hex Bolt, 5/16NC x 1-3/4"	2
66	Z72221	Hex Lock Nut, 5/16NC	2
67	Z72521	Serrated Flange Locknut, 5/16NC	12
68	Z72956	Rivet Nut, 5/16NC x 150	3
69	Z73122	SAE Washer, 5/16"	4
70	Z73223	Thick Washer, 5/6 x 0.125"	2
71	Z73432	Int - Ext Tooth Washer, #10	3
72	Z76711	Self-tapping Screw, #10 x 1/2"	4
73	Z76712	Self-tapping Screw, #10 x 3/4"	4
74	Z78319	Machine Screw, 5/16NC x 3/4" Locking	15
75	Z91307-2	Tire	2

Frame Assembly

See Honda GX390 parts book for start switch and breaker replacements

Electrical Panel Assembly

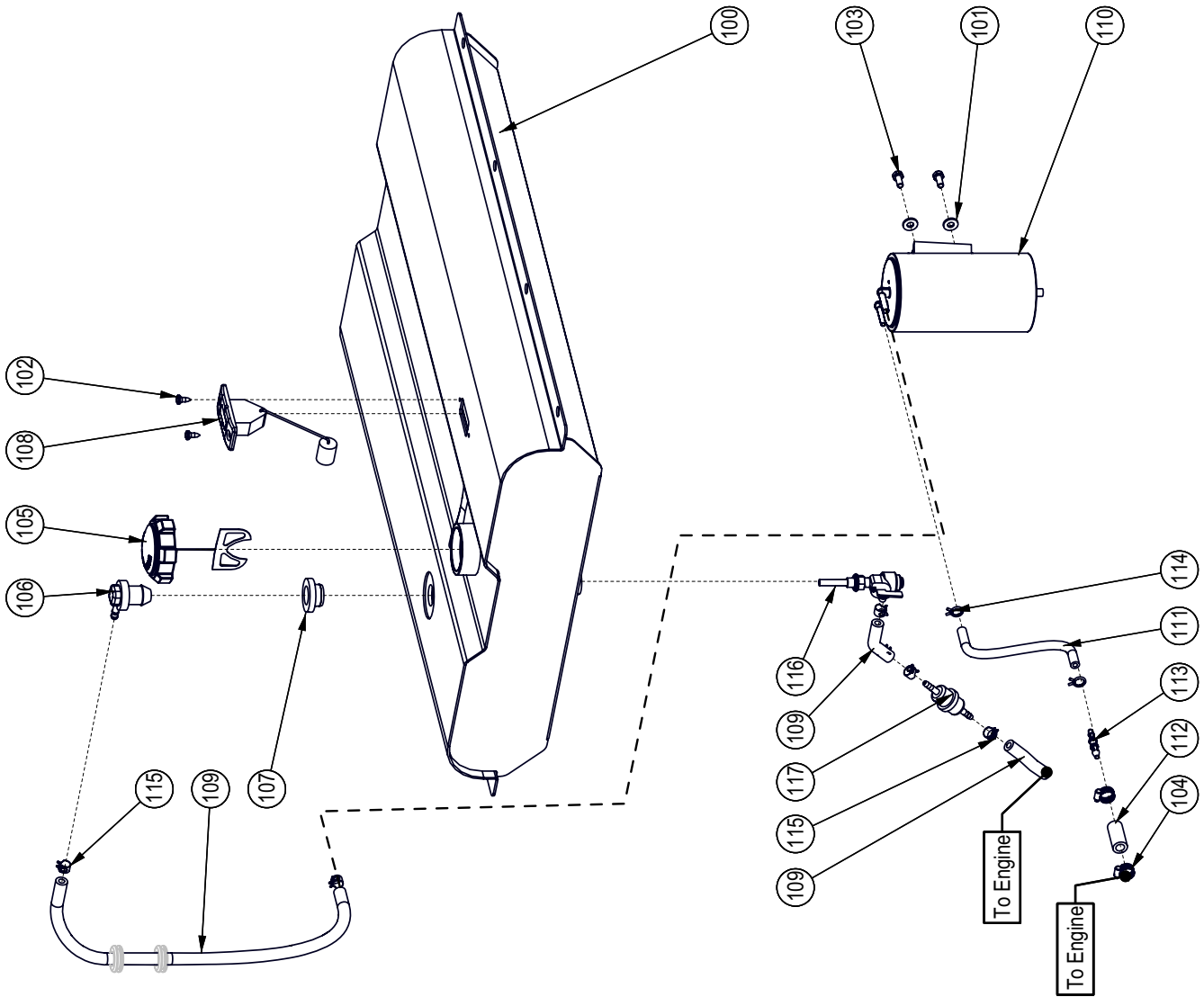


See Wiring Diagram for wiring harness part numbers

BOM ID	Part Number	Description	Qty
83	Z72502	Serrated Flange Locknut, #10NC	4
84	Z72511	Serrated Flange Locknut, 1/4NC	1
85	Z72942	Serrated Washer Nut, #6NC	6
86	Z73431	Int - Ext Tooth Washer, 1/4"	1
87	Z73432	Int - Ext Tooth Washer, #10	4
88	Z76114	Flange Bolt, 1/4NC x 1"	1
89	Z76711	Self-tapping Screw, #10 x 1/2"	4
90	Z78305	Machine Screw, #10NC x 3/4"	2
91	Z78320	SEMS Screw, #6NC x 1/4" x External Tooth	4
92	Z78323	SEMS Screw, #6NC x 3/8" x External Tooth	10
93	Z94801	5-7 GFI Control Panel Decal - WCS7000	1
	Z94820	5-7 GFI/AVR Control Panel Decal - WCS7000R	1

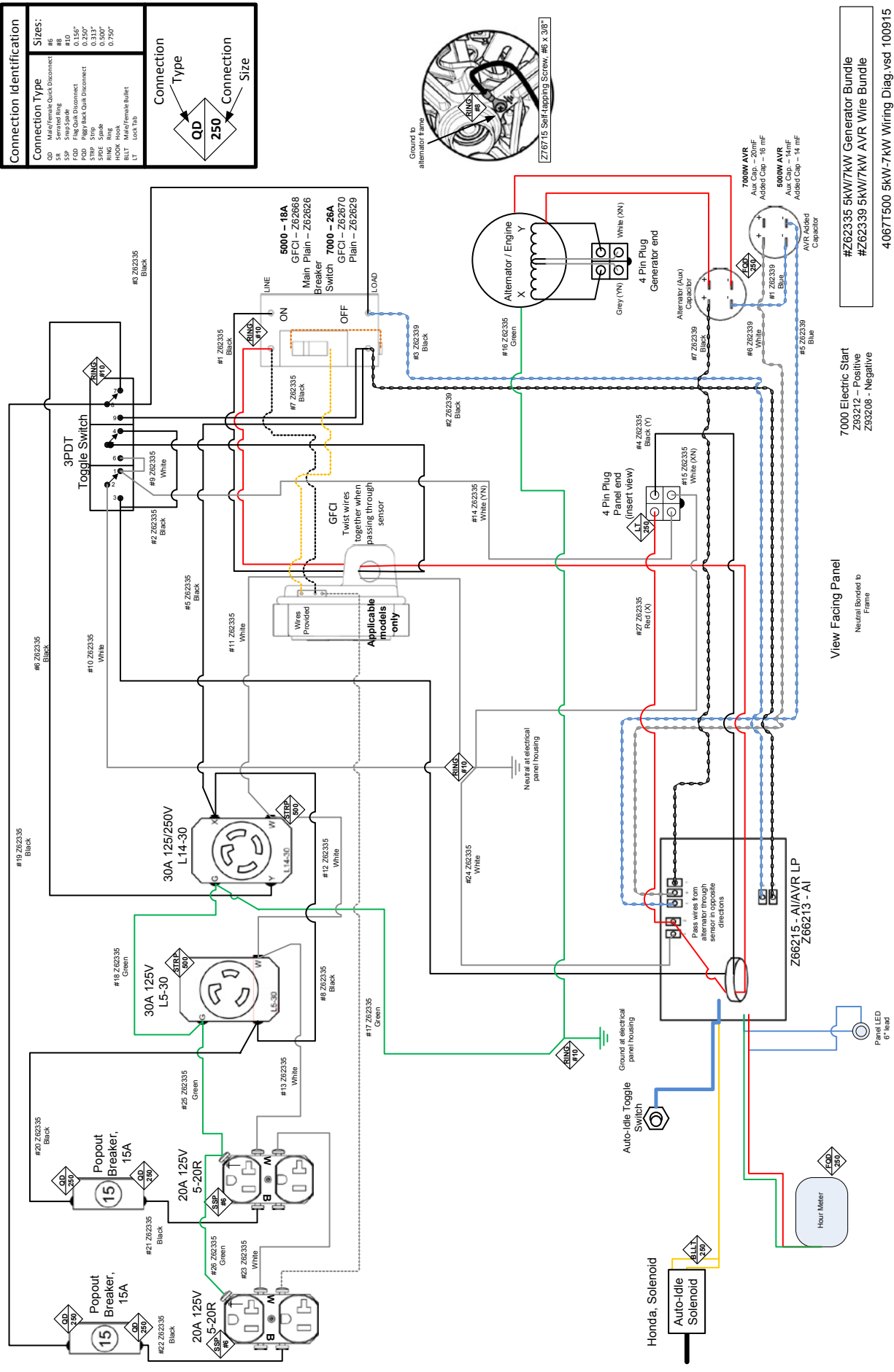
BOM ID	Part Number	Description	Qty
70	4067L504	Panel, Work Series	1
71	Z62616	Thermal Breaker, 15A x TC1 OL1	2
72	Z62666	26A - Double Breaker - Aux	1
73	Z62671	GFCI Module - PGFM	1
74	Z62813	Plug, #18	1
75	Z62827	Cable Gland, 18-25mm	1
76	Z63403	Receptacle, L14-30 x 30A x 125/250V	1
77	Z63404	Receptacle, L5-30 x 30A x 125V	1
78	Z63406	Receptacle, 5-20R x 20A x 125V	2
79	Z64611	Hour Meter, 10-80 VDC Quartz E-Mech Rectangular	1
80	Z66112	Rocker Switch, 20A SPST	1
81	Z66113	Rocker Switch, 3PDT	1
82	Z72111	Hex Nut, 1/4NC	1

Fuel Tank Assembly & Fuel Lines

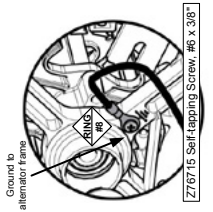


BOM ID	Part No.	Description	Qty
100	4067W502	Fuel Tank Weldment	1
101	Z73111	SAE Washer, 1/4"	2
102	Z76714	Self-tapping Screw, #10 x 1/2" Oval Head Countersunk	2
103	Z77130	Hex Bolt, M6x1.0 x 14mm	2
104	Z79405	Hose Clamp, SAE #4 (5/8")	2
105	Z93108	EPA Ratchet Fuel Cap, Unleaded Fuel x Unvented with Tether	1
106	Z93110	EPA Remote Vent, HB04	1
107	Z93111	Vent Grommet For Z93110	1
108	Z93118	Fuel Gauge, Generator	1
109	Z93307	EPA Fuel Line, 1/4" x	3
110	Z93309	EPA Carbon Canister, 652cc	1
111	Z93310	EPA Fuel Line, 3/16" x 11"	1
112	Z93313	Fuel Line, 3/8" x 1-1/2"	1
113	Z93314	Plastic Reducer, HB x HB 0403	1
114	Z93319	Fuel Line Clip, 3/8" OD	2
115	Z93320	Fuel Line Clip, 1/2" OD Hose	6
116	Z93323	Fuel Shut-Off Valve, 1/4" Generator	1
117	Z93324	Fuel Filter, In-Line 1/4" Small	1

Wiring Diagram



Connection Identification	
Connection Type	Sizes:
QD Male/Female Quick Disconnect	#6
SF Strapped Ring	#8
SR Snap/Saddle	#10
TD Threaded Disconnect	#10
QD Female Backlash Disconnect	0.350"
STRIP Strip	0.313"
SPR Strip	0.500"
HOOK Hook	0.750"
BLT Male/Female Bullet	
LT Lock Tab	



#Z62335 5KW/7KW Generator Bundle
#Z62339 5KW/7KW AVR Wire Bundle
4067T500 5KW-7KW Wiring Diag. vsd 100915

7000 Electric Start
Z62112 - Positive
Z62208 - Negative

View Facing Panel
Neutral Bonded to Frame

Z66215 - AI/AVR LP
Z66213 - AI

Panel LED
6" lead

Hour Meter

Auto-Idle Solenoid

Honda Solenoid

4 Pin Plug Panel end (insert view)

AVR Addressed Capacitor

AVR Addressed Capacitor

AVR Addressed Capacitor

AVR Addressed Capacitor

AVR Addressed Capacitor

AVR Addressed Capacitor

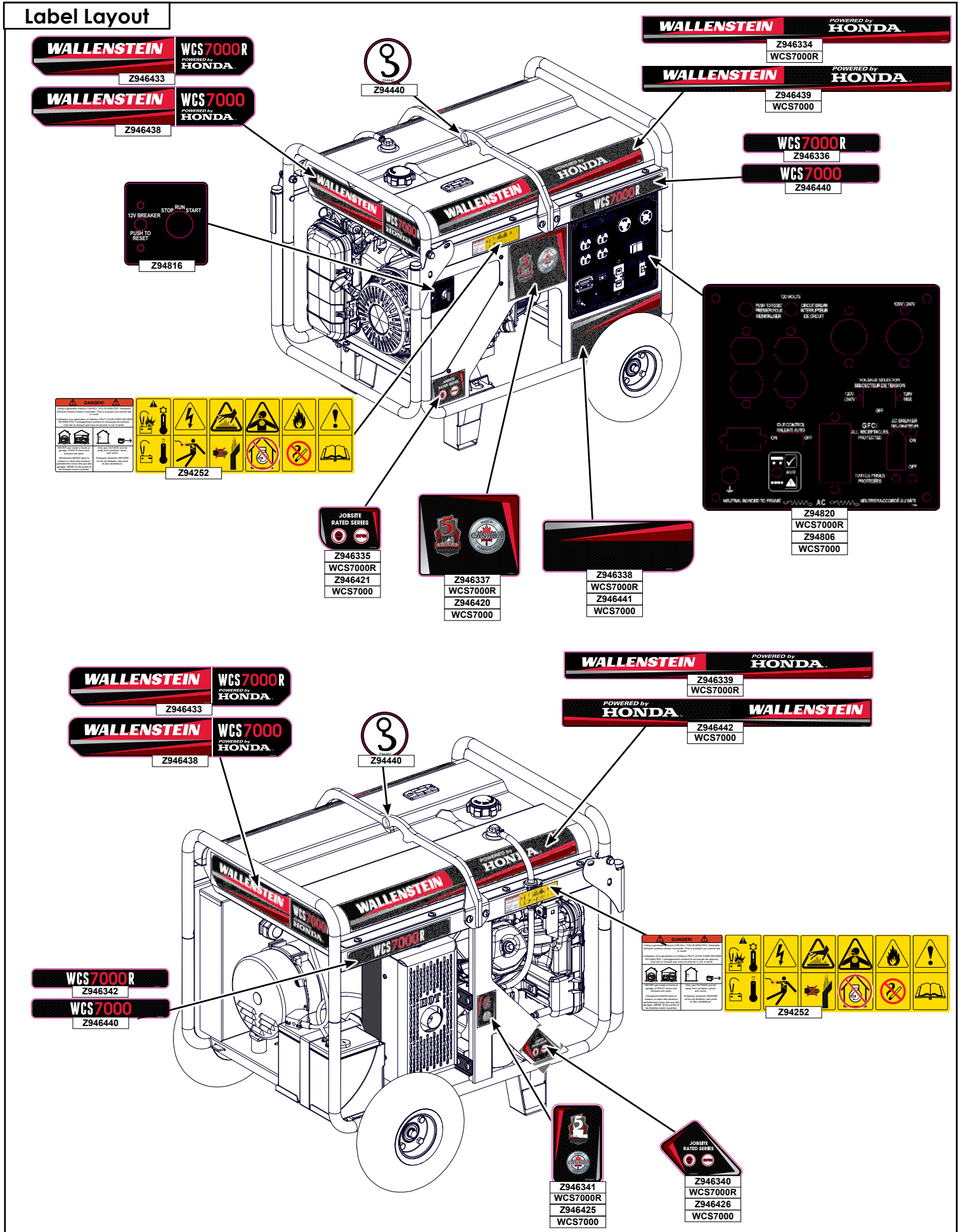
AVR Addressed Capacitor

AVR Addressed Capacitor

AVR Addressed Capacitor

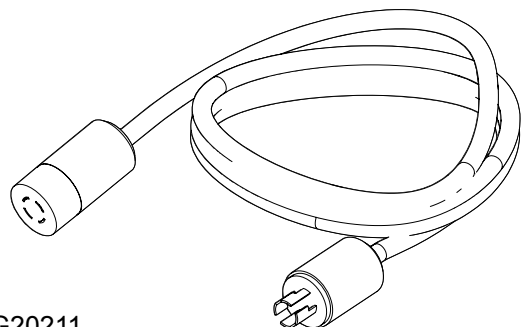
AVR Addressed Capacitor

Label Layout



Accessories

Call your dealer for pricing and availability



#G20211

Generator Extension cord, the right length and size, to make the most of your generator.

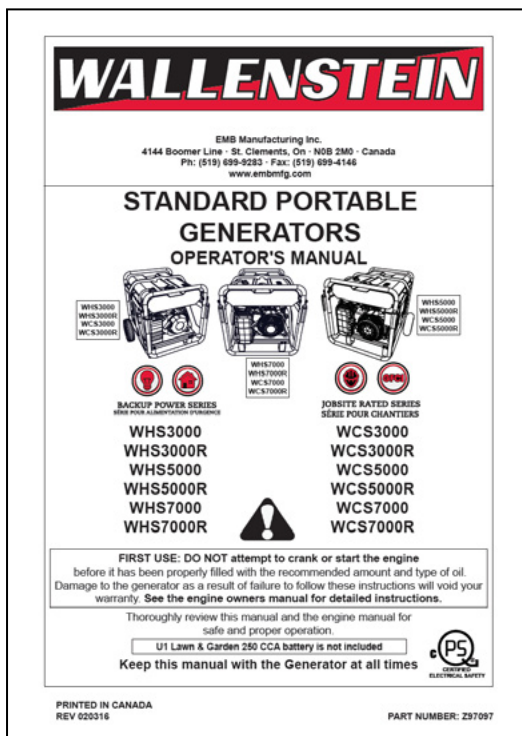
- Heavy Duty SJTW Cable
- -40° cold weather jacket
- Nema L14-30P 30a 125/250v Plug
- Nema L14-30R 30a 125/250v Connector
- Water & Flame Resistant
- UL, OSHA compliant

Available in three sizes.

G20211 • 10' Power Cord

G20212 • 20' Power Cord

G20213 • 25' Power Cord



#Z97097 GENERATOR OPERATOR'S MANUAL

Available as a download at wallensteinequipment.com