



WX640 Trailer Log Splitter Parts Manual

S/N 264014 to S/N 264025



Foreword

EMB Mfg. has prepared this parts manual to assist customers in ordering quality OEM replacement parts.

Proper and regular service and replacing old, worn or broken parts with the correct Wallenstein parts are essential to prolonging the life of your Wallenstein product. Please refer to this manual before ordering any replacement parts.

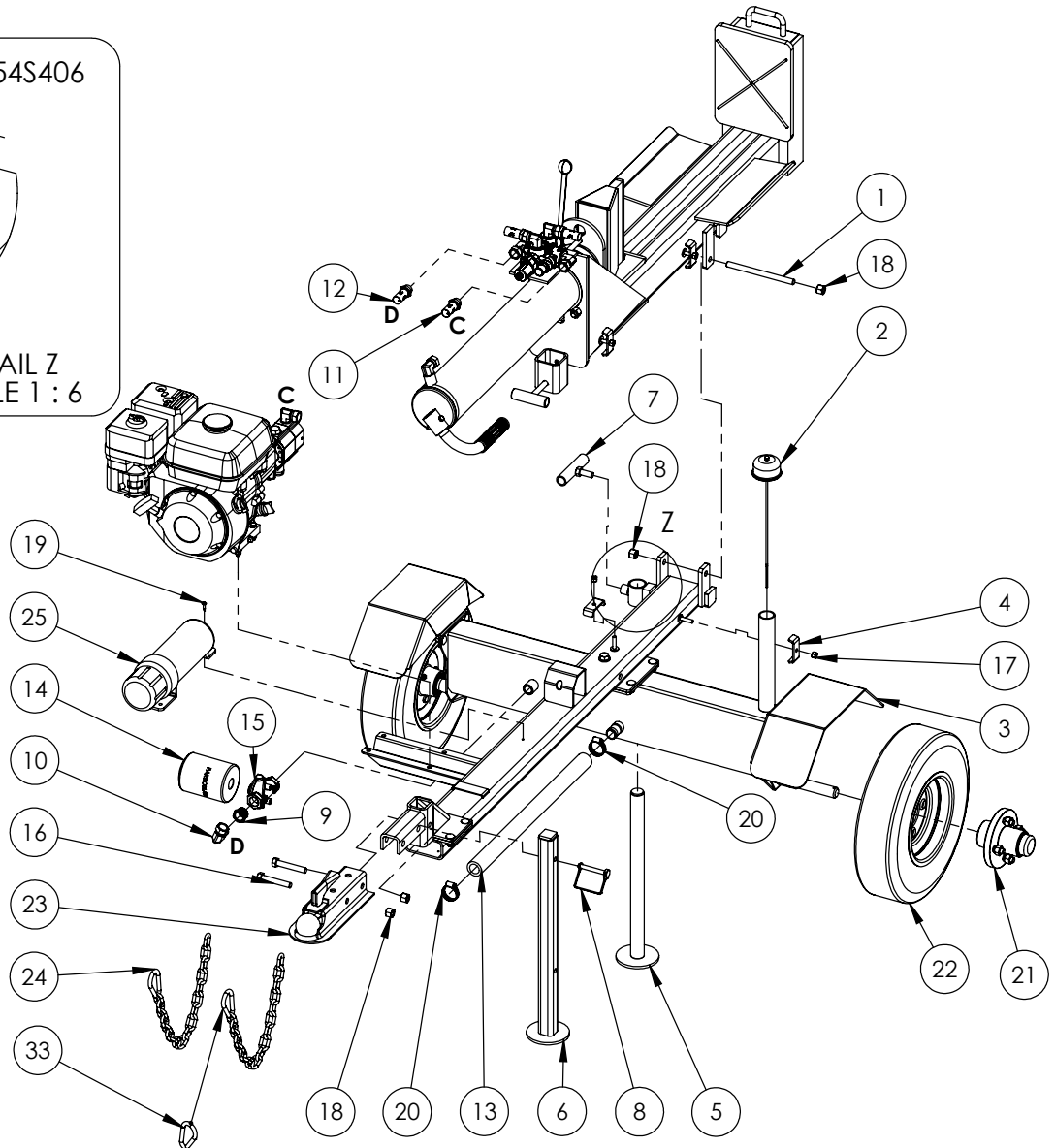
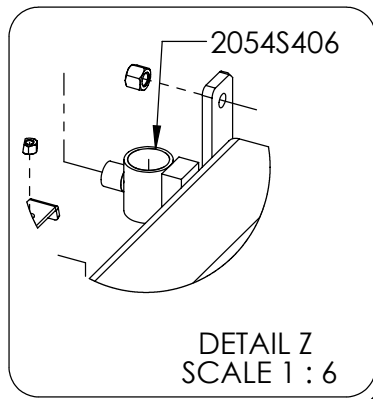
All information contained in this parts manual is based on the latest product specification available at the time of printing this manual. If your product differs from the specifications contained within this manual contact EMB Mfg. for information.

EMB reserves the right to alter specifications on their products at any time.

Reproduction of this parts manual of any kind is prohibited without prior written permission from EMB Mfg.

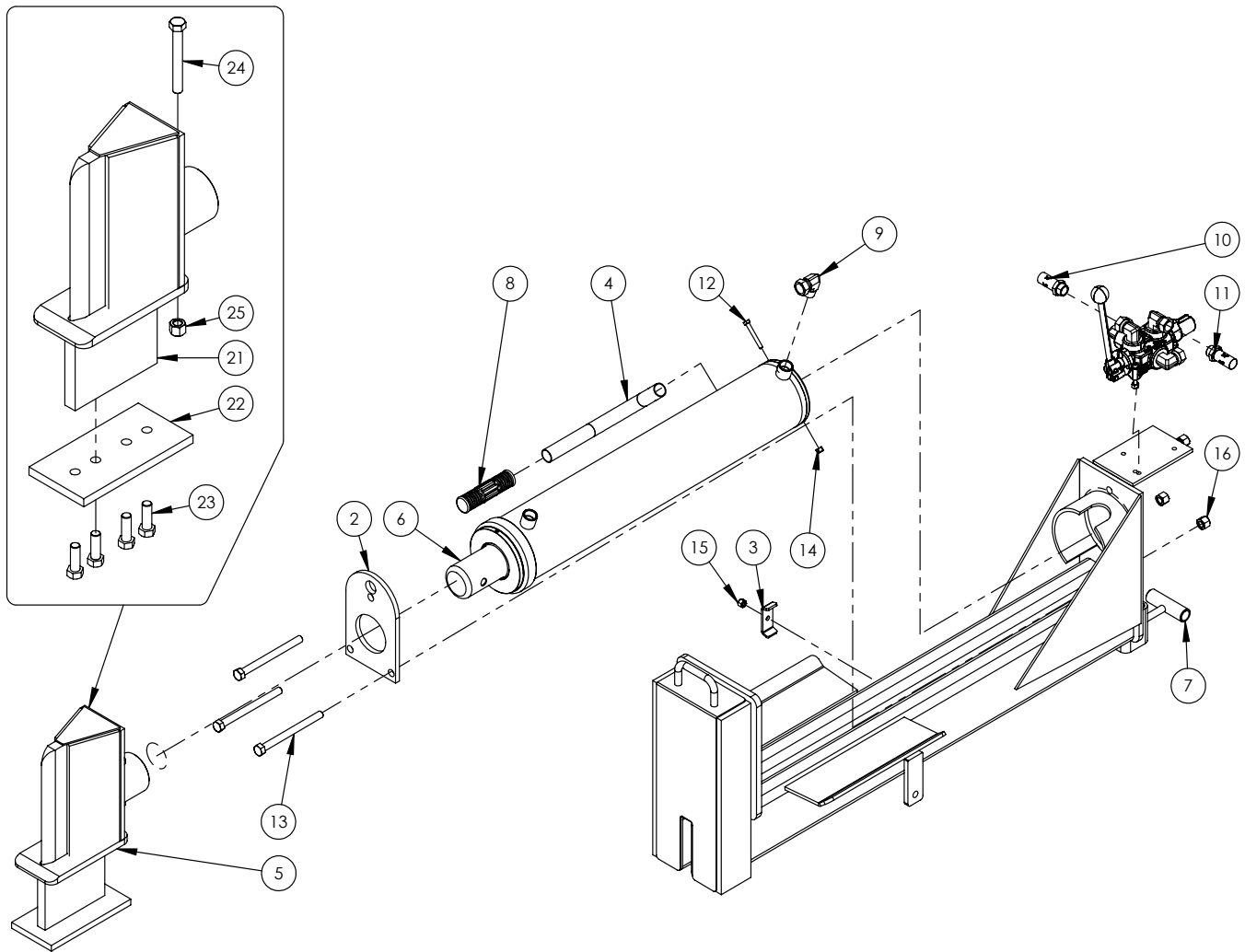
Table of Contents

Main Parts	4
Cylinder	6
Valve & Fittings	7
Valve	8
Hub	10
Engine & Pump	11
4-Way Wedge (Optional)	12
Light Kit (Optional)	12
Decal Breakdown	14



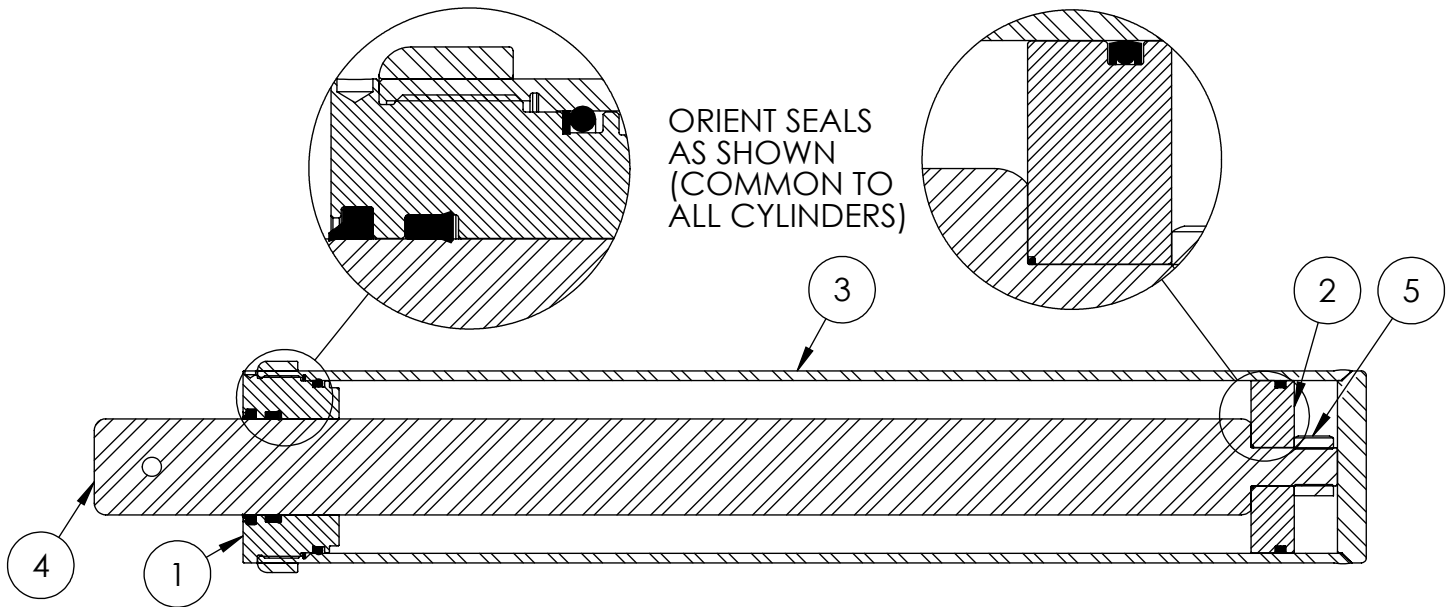
WX640 PARTS BREAKDOWN

ITEM	PART NO.	DESCRIPTION	QTY
1	2016M602	Pin, Pivot Threaded	1
2	2054A402	Breather cap dipstick	1
3	2054A601	Assembly, Main Base	1
4	2054L412	Clamp, Two Hose	2
5	2054W405	Jack Stand, Rear	1
6	2054W406	Jack Stand, Front	1
7	2054W407	Handle, Rear Jack Lock	1
8	Z12432	Snapper Pin 3/8 x 2-1/2	1
9	Z51221	Reducer FP x MP 1208	1
10	Z51331	Elbow 90 MP x FPX 0808	1
11	Z52309	1/2 Hose, 1/2MPx1/2MPx 70"	1
12	Z52311	1/2 Hose, 1/2MPx1/2MPx 75"	1
13	Z52405	Suction Hose, 1" x 22"	1
14	Z55301	Oil Filter - 3/4 - Particulate	1
15	Z55302	Filter Cap, 3/4 x 3/4	1
16	Z71530	Hex Bolt 1/2NC x 3	2
17	Z72221	Hex Lock Nut 5/16NC	2
18	Z72251	Hex Lock Nut 1/2NC	4
19	Z76712	Self-tapping Screw # 10	1
20	Z79401	Hose Clamp, # 16	2
21	Z91202	Assembly, 1000# 4-Bolt Hub	2
22	Z91301	4.80-8 LRB SportTrail	2
23	Z91614	2" Hitch Coupler	1
24	Z92303	Safety Chain 1/4 x 2'	2
25	Z96503	Manual Tube 3-1/2 Short	1



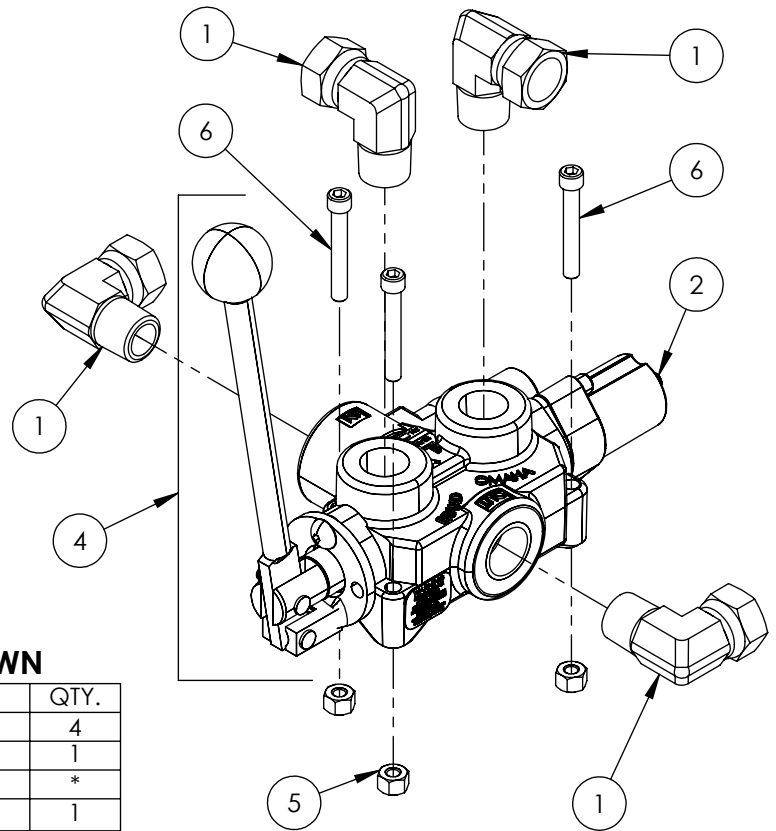
2063A206 PARTS BREAKDOWN

ITEM	PART NO.	DESCRIPTION	QTY
1	2011A103	Assembly, Valve with Fittings	1
2	2032S213	Plate, Cylinder Retaining	1
3	2054L412	Clamp, Two Hose	2
4	2054S414	Handle, Lift	1
5	2058A802	Wedge for WX950	1
6	2063C201	Cylinder, 4-1/2 x 24 x 2-1/2	1
7	2063W203	Weldment for WX640	1
8	Z19321	Grip, 1" x 5"	1
9	Z51331	Elbow 90 MP x FPX 0808	1
10	Z52301	1/2 Hose MP08 x MP08 x 16"	1
11	Z52305	1/2 Hose, MP08 x MP08 x 24"	1
12	Z71120	Hex Bolt 1/4NC x 2	1
13	Z71560	Hex Bolt 1/2NC x 6	3
14	Z72111	Hex Lock Nut 1/4NC	1
15	Z72221	Hex Lock Nut 5/16NC	2
16	Z72251	Hex Lock Nut 1/2NC	3
ITEM	PART NO.	DESCRIPTION	QTY
21	2058W803	Wedge Weldment for WX950	1
22	2014S414	Plate, Sliding Wedge Capture	1
23	Z71576	Hex Bolt 1/2NF x 1-1/2	4
24	Z71540	Hex Bolt 1/2NC x 4	1
25	Z72251	Hex Lock Nut 1/2NC	1



4-1/2" WOODSPLITTER CYLINDER PARTS BREAKDOWN

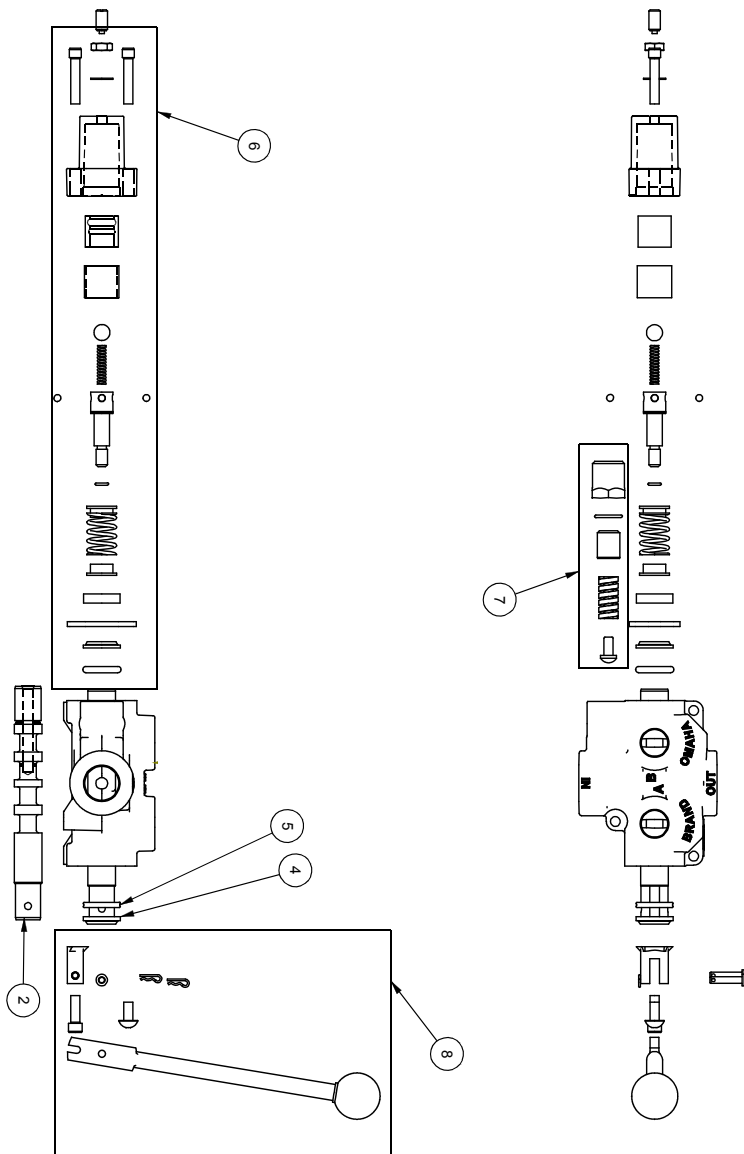
ITEM	PART NO.	DESCRIPTION	QTY
1	G450-250SA	4-1/2" Bore x 2-1/2" Rod Gland With Seals	1
2	P100-450SA	4-1/2" Bore Piston With Seals	1
3	2055C5014	Barrel, 4-1/2"	1
4	2055C5012	Rod, 2-1/2x 1	1
5	Z72292G8	Hex Lock Nut 1NF Grade 8	1
6	SLK-4525	Seal Kit, 4-1/2 x 2-1/2	1



VALVE AND FITTINGS PARTS BREAKDOWN

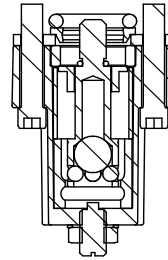
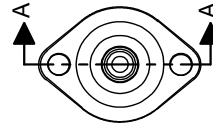
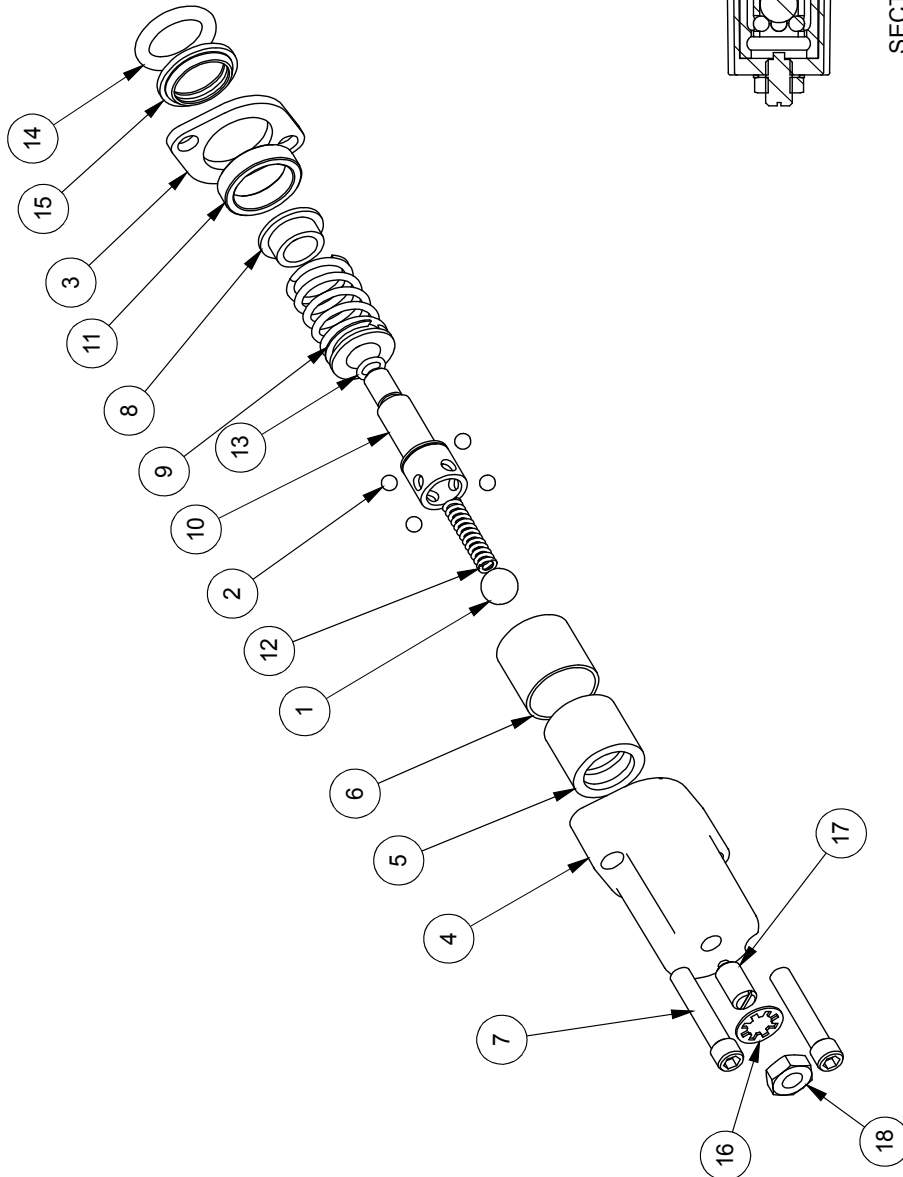
ITEM	PART NO.	Description	QTY.
1	Z51331	Elbow 90 MP x FPX 0808	4
2	Z56209	Valve, Single Function Detent	1
3	*Z56210*	Valve, Closed Center	*
4	Z56915	Complete Handle Kit for Z56209	1
5	Z72111	Hex Lock Nut 1/4NC	3
6	Z75114	SHCS, 1/4NC x 1-3/4	3

CLOSED CENTER VALVE REQUIRED FOR "C" MODELS.

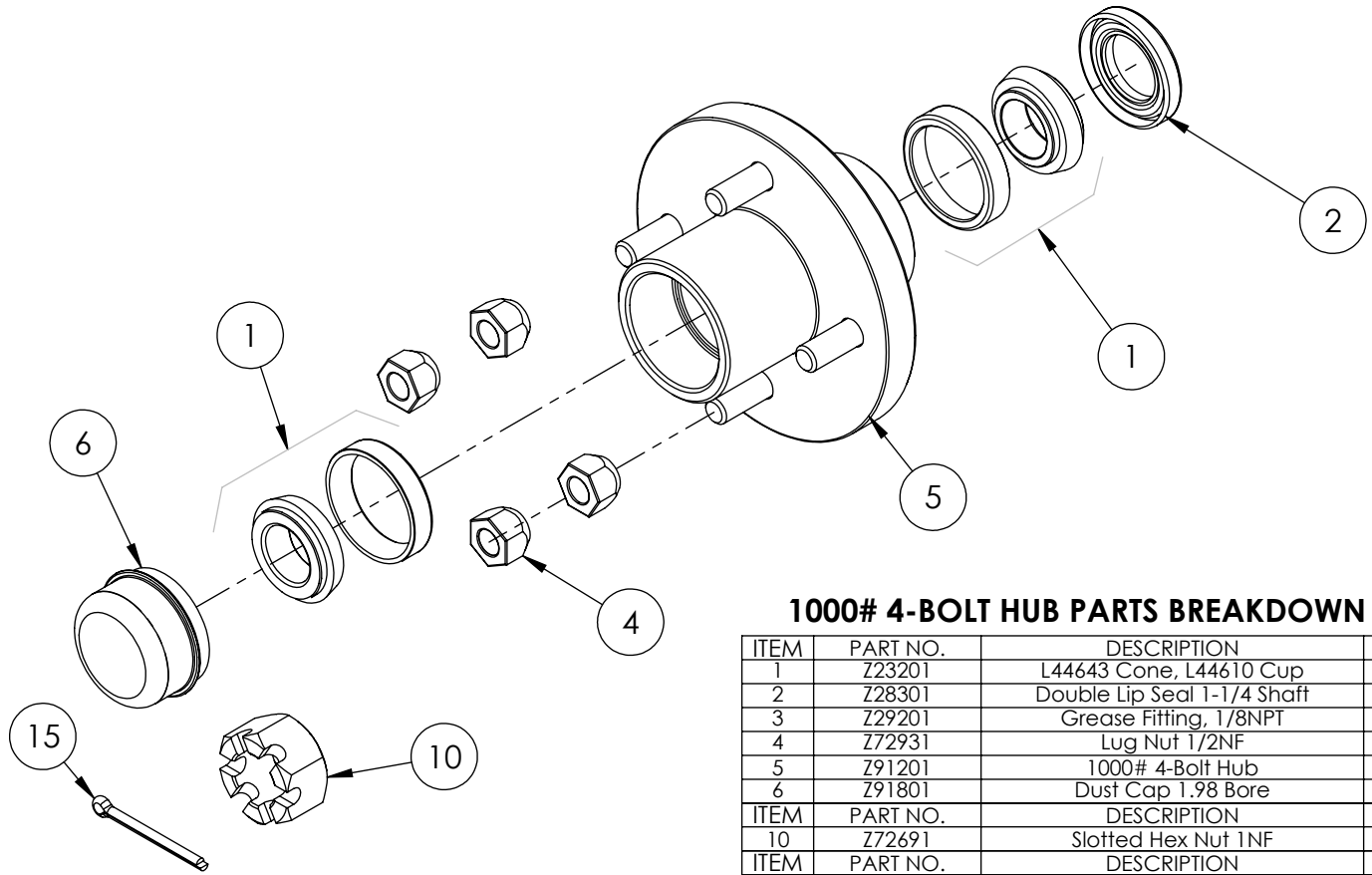


ITEM NO.	QTY.	PART NO.	DESCRIPTION
1	1	AOCAS1B	AO CASTING
2	1	LS3041AJ	SPOOL
3	1	P1740	NAME TAG
4	1	SF305	WIPER
5	1	SF304	QUAD RING
6	1	SUB-LS	SUB-LS
		B5057	7/16 BALL
		DC7604	3/16 BALL
1	1	SF306	RETAINER
1	1	SF477L	SH LS ENDCAP
1	1	XDC672	LS SLEEVE
1	1	SF483	SPACER
2	2	SF486	ALLEN SCREW
1	1	SF489	CENTER STOP
1	1	SF490	CENTERING SPRING
1	1	SF492	HOUSING
1	1	SF315	SPACER
1	1	LS305	DETENT SPRING
1	1	DC7583	O-RING 3-902
1	1	SF496	O-RING BLUE METRIC
1	1	LS306	LS WIPER
1	1	SF502	5/16 LOCK WASHER
1	1	SF503	PLUNGER SPRING
1	1	SF504	5/16 HEX JAM NUT
7	1	SUB-R	RELIEF
1	1	P1603	CAP NUT
1	1	SF322	O-RING 2-016
1	1	SF364A	ADJ. SCREW
		B505	SPRING
1	1	SF361A	POPPET
1	1	Z56915	HANDLE KIT
8	1	SF377	RETAINER
1	1	SF376	SEAL RETAINER
1	1	SF367A	CLEVIS
1	1	SF368	HANDLE
2	2	SF369	PIN
1	1	P1767	PIN CLIP
1	1	HR5	MACH. SCREW
1	1	SF311	KNOB
1	1	SF308	CAP SCREW
1	1	SF3037AJ	SPOOL
9	1	P1654	WARNING TAG

ITEM NO.	QTY.	PART NO.	DESCRIPTION
1	1	B5057	7/16 BALL
2	4	DC7604	3/16 BALL
3	1	SF306	RETAINER
4	1	SF477L	SH LS ENDCAP
5	1	SF480	SD SLEEVE
6	1	SF483	SPACER
7	2	SF486	ALLEN SCREW
8	2	SF489	CENTER STOP
9	1	SF490	CENTERING SPRING
10	1	SF492	HOUSING
11	1	SF315	SPACER
12	1	LS305	DETENT SPRING
13	1	DC7583	O-RING 3-902
14	1	SF496	METRIC O-RING
15	1	LS306	LS WIPER
16	1	SF502	5/16 LOCK WASHER
17	1	SF503	SPRING PLUNGER
18	1	SF504	5/16 HEX JAM NUT

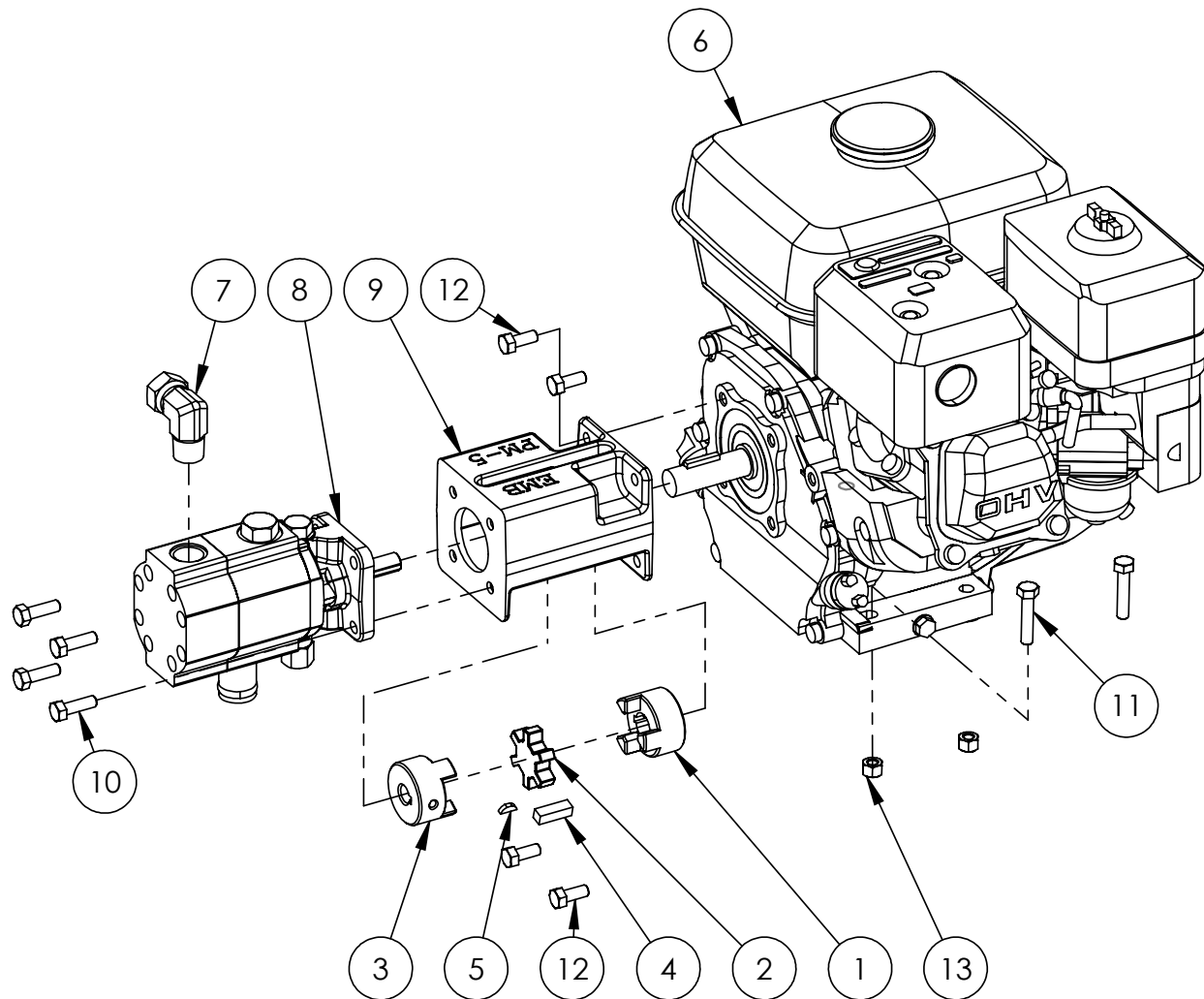


SECTION A-A



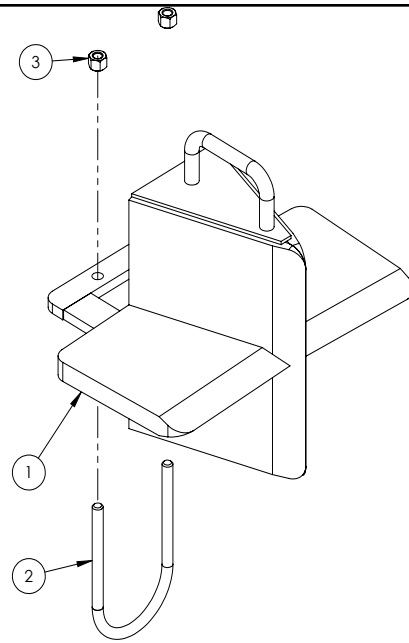
1000# 4-BOLT HUB PARTS BREAKDOWN

ITEM	PART NO.	DESCRIPTION	QTY
1	Z23201	L44643 Cone, L44610 Cup	2
2	Z28301	Double Lip Seal 1-1/4 Shaft	1
3	Z29201	Grease Fitting, 1/8NPT	1
4	Z72931	Lug Nut 1/2NF	4
5	Z91201	1000# 4-Bolt Hub	1
6	Z91801	Dust Cap 1.98 Bore	1
ITEM	PART NO.	DESCRIPTION	QTY
10	Z72691	Slotted Hex Nut 1NF	1
ITEM	PART NO.	DESCRIPTION	QTY
15	Z12322	Cotter Pin 3/16 X 2	1



2063A105 PARTS BREAKDOWN

ITEM	PART NO.	DESCRIPTION	QTY
1	Z46406	Shaft Coupler L075 x 3/4	1
2	Z46408	Coupler Spider L075	1
3	Z46407	Shaft Coupler L075 x 7/16	1
4	Z46542	Key 5/16 x 5/16 x 1	1
5	Z46592	Woodruff Key, 1/8 x 1/2	1
6	Z47131	Honda GX200 Engine	1
7	Z51383	Elbow 90 MP x FPX 0808	1
8	Z53201	Pump, 11gpm Two-Stage	1
9	Z53801	Pump Mounting, PM-5	1
10	Z71210	Hex Bolt 5/16NC x 1	4
11	Z71215	Hex Bolt, 5/16NC x 1-1/2	4
12	Z71273	Hex Bolt, 5/16NF x 3/4	4
13	Z72221	Hex Lock Nut 5/16NC	4



W4130 4-Way Wedge (Optional)

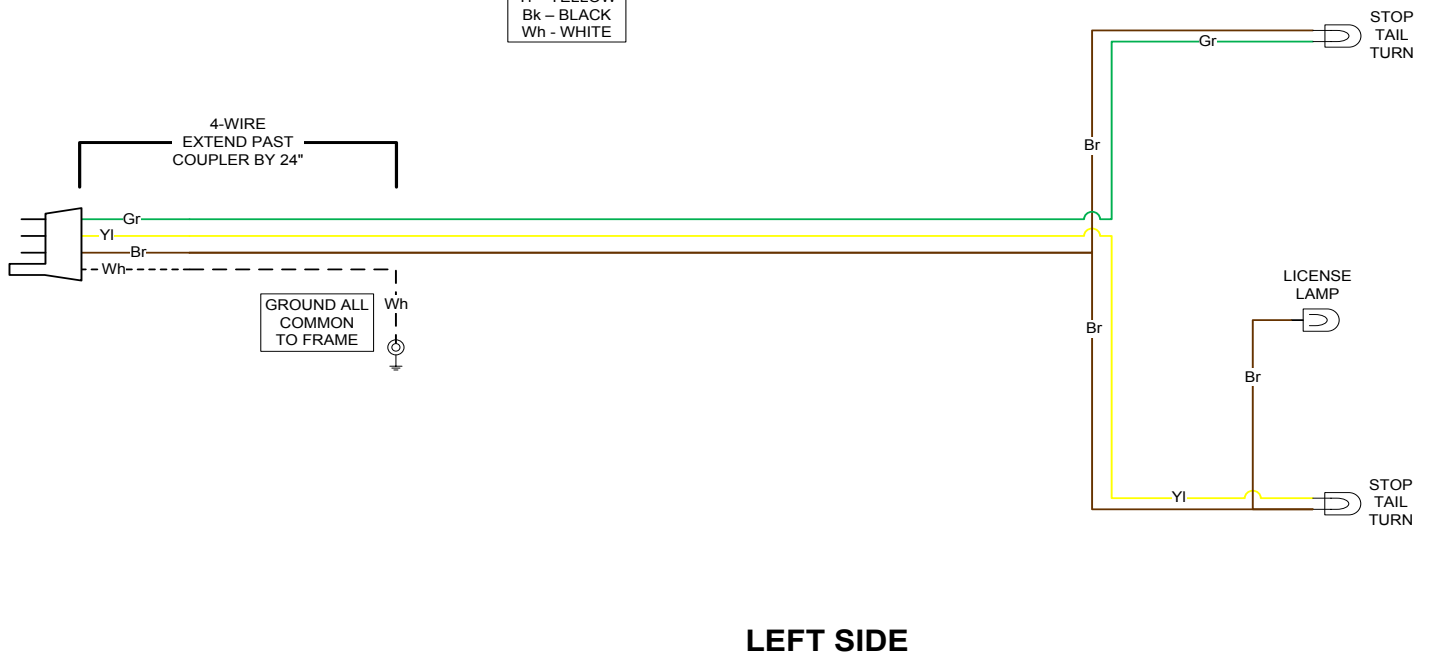
ITEM	PART NO.	DESCRIPTION	QTY
1	2082W301	Weldment, Main 4-Way	1
2	2082S307	U-Bolt, 3 x 4	1
3	272231	Hex Lock Nut 3/8NC	2

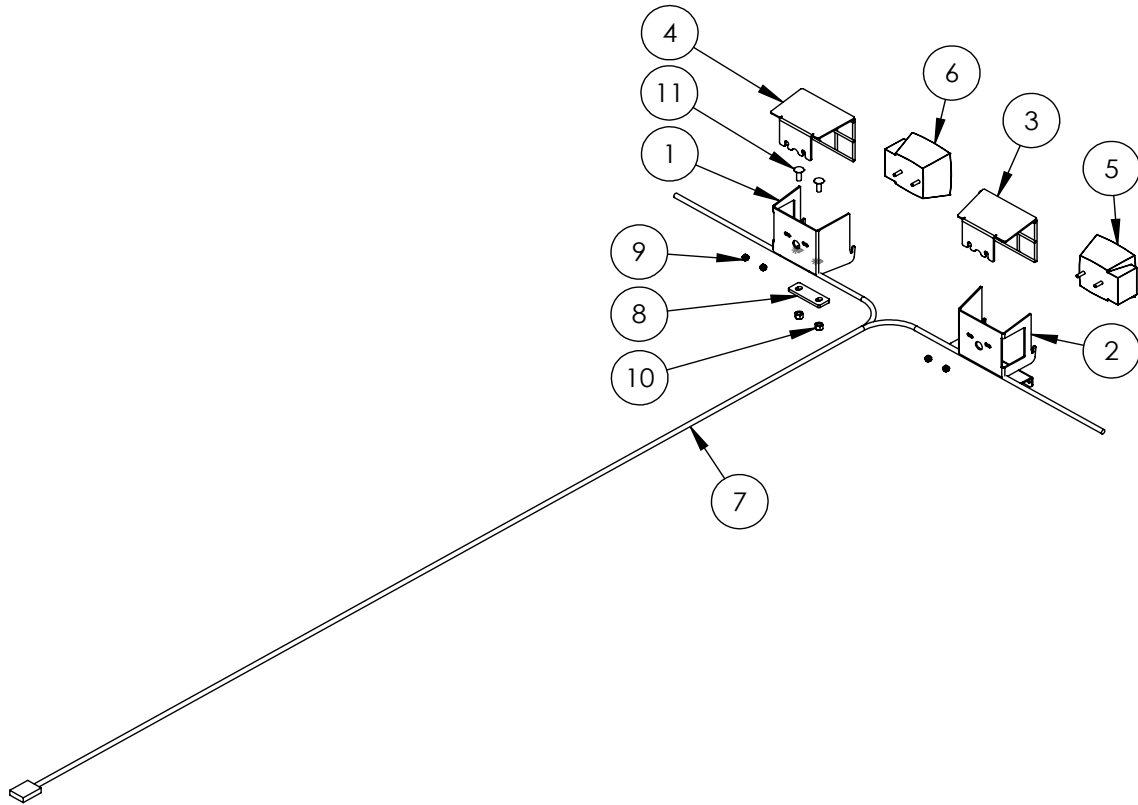
**WX TRAILER
SPLITTER WIRING**

RIGHT SIDE

KEY

- Bl - BLUE
- Br - BROWN
- Gr - GREEN
- Rd - RED
- Yl - YELLOW
- Bk - BLACK
- Wh - WHITE



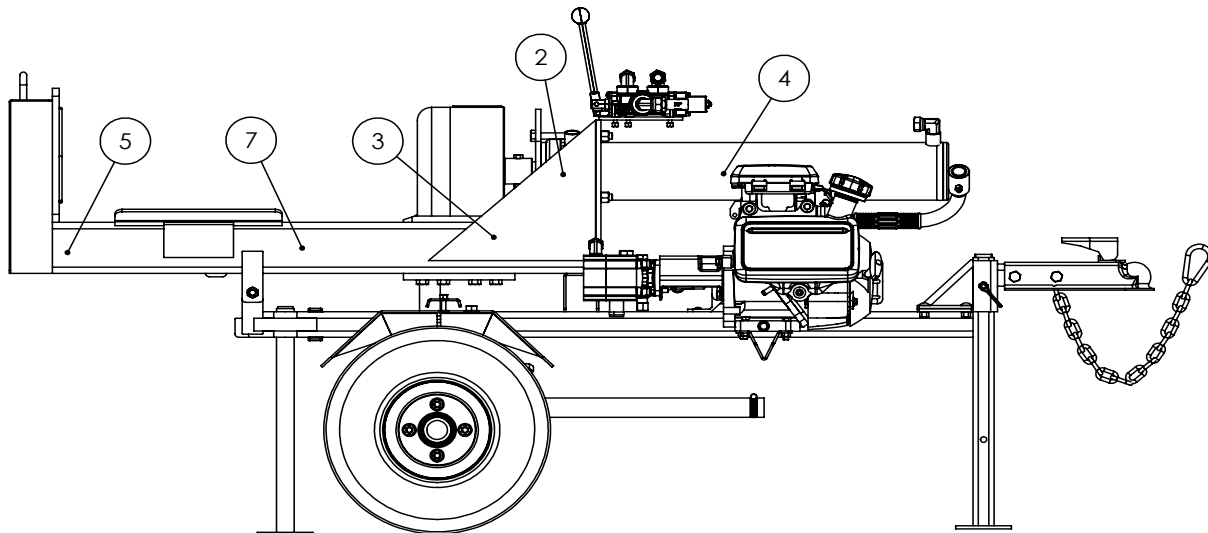
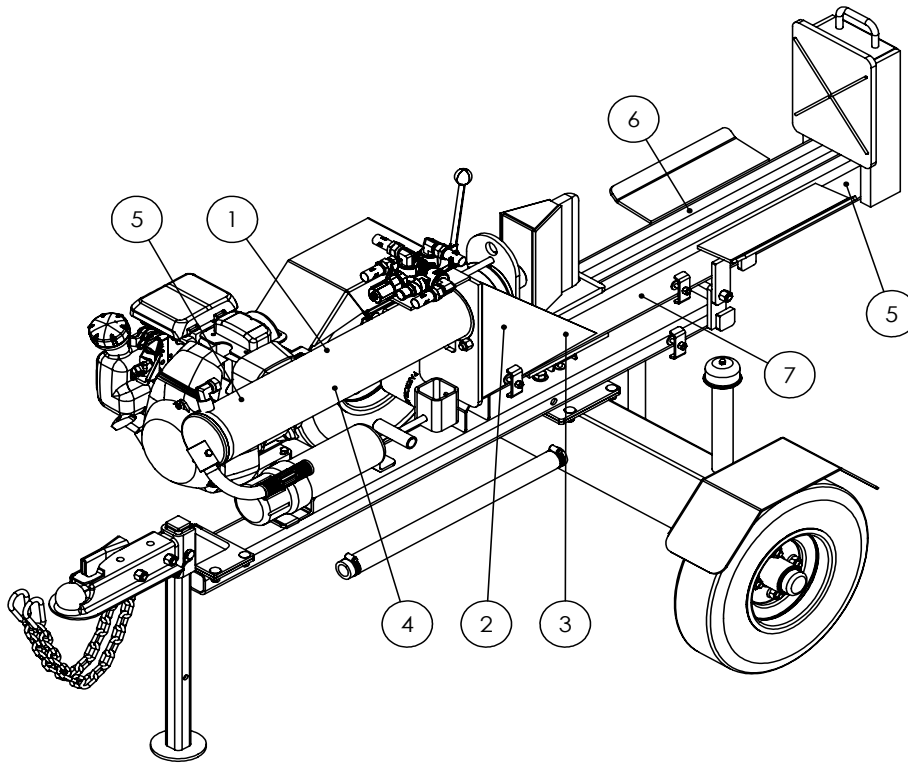


2089A350 LIGHT KIT (Optional)

ITEM	PART NO.	DESCRIPTION	QTY
1	2054L601	Light Bracket, RH	1
2	2054L402	Light Bracket, LH	1
3	2054W404	Light Guard, LH	1
4	2054W403	Light Guard, RH	1
5	Z61106	Stop, Turn, Tail Light LH	1
6	Z61107	Stop, Turn, Tail Light RH	1
7	Z62102	10' Wishbone Trailer Harness	1
8	2054L622	Bracket, Light Base	1
9	Z72941	Serrated Washer Nut 1/4NC	4
10	Z72231	Hex Lock Nut 3/8NC	2
11	Z76231	Carriage Bolt 3/8NC x 1	2

HORIZONTAL-VERTICAL LOG SPLITTER DECAL BREAKDOWN

ITEM	PART NO.	DESCRIPTION	QTY
1	Z94039	CAUTION - Read Manual	1
2	Z94040	WARNING - Moving Wedge	2
3	Z94067	Clear Guide	2
4	Z94056	Wallenstein	2
5	Z94019	Made in Canada	3
6	Z94066	Apply Oil or Grease	1
7	Z94045	WARNING - Lock Stabilizer	2



Horizontal-Vertical Log Splitter Decals

Z94056



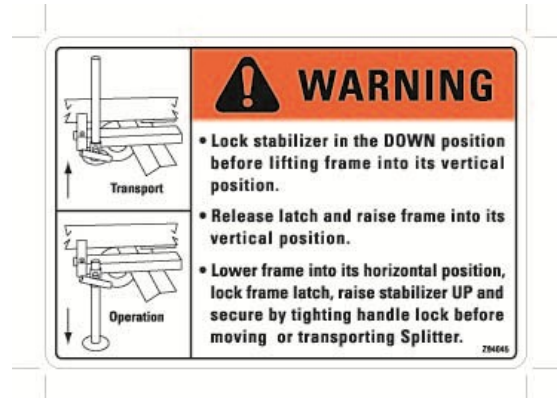
Z94067



Z94066



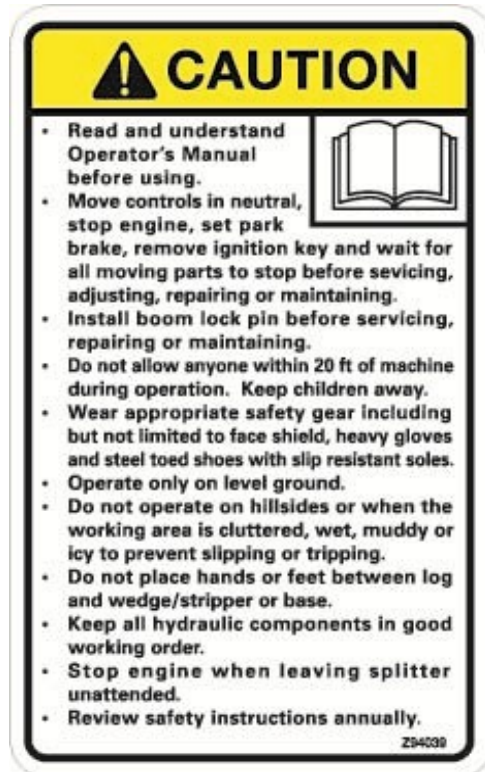
Z94045



Z94019



Z94039



Z94040





WALLENSTEIN Products Manufactured by:

EMB MFG Inc.

4144 Boomer Line
St. Clements, Ontario
Canada N0B 2M0
Phone: 1-877-695-9283
Fax: 519-699-4146
www.embmfg.com