



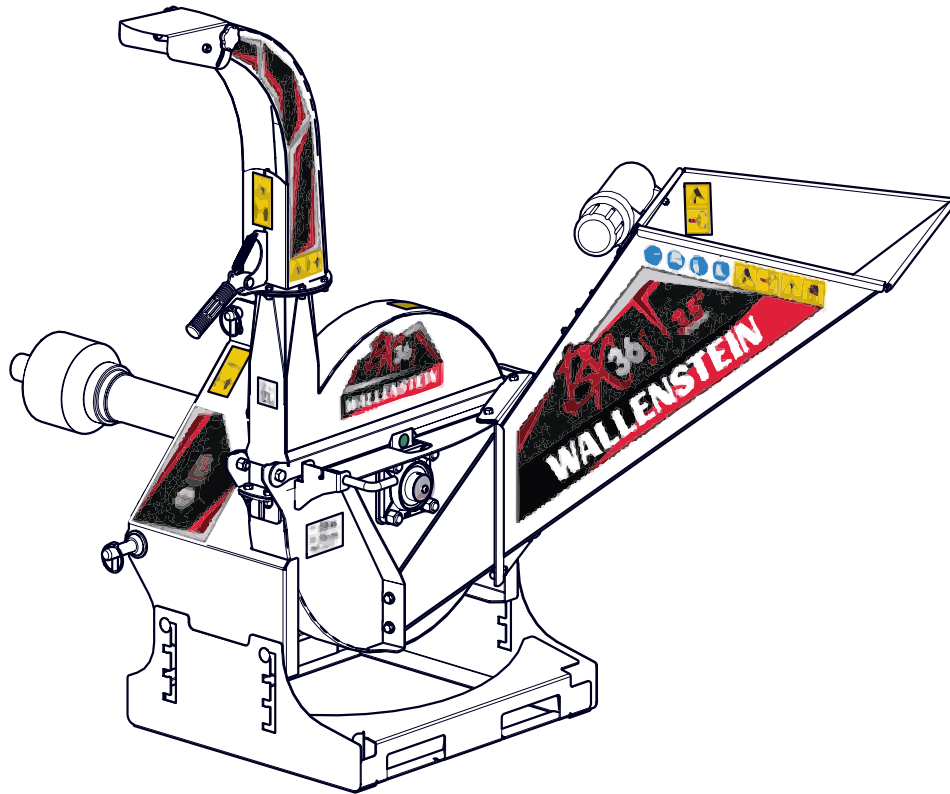
EMB Manufacturing Inc.
4144 Boomer Line · St. Clements, Ontario · N0B 2M0 · Canada
www.wallensteinequipment.com

PARTS MANUAL

BX36S 3PH

3 PH Self-Feed Chipper

Serial Number 136S1 & up



Foreword

EMB Manufacturing has prepared this parts manual to assist customers in ordering quality OEM replacement parts.

Regular maintenance, and replacing old, worn or broken parts with the correct OEM parts, is essential in prolonging the life of your EMB product. Please refer to this manual to identify replacement parts.

To order parts, contact your Wallenstein dealer or distributor. Have the product model and serial number handy.

If your dealer is no longer available, please go to our website: <http://www.wallensteinequipment.com> and click on the [Dealer Locator](#) to find the nearest dealer.

All information contained in this parts manual is current as per the revision date at the bottom of the page. EMB reserves the right to change product specifications at any time without notice.

If your product specifications differ from those contained in this manual, contact EMB Manufacturing for information.

Reproduction of this parts manual of any kind is prohibited without prior written permission from EMB Manufacturing.



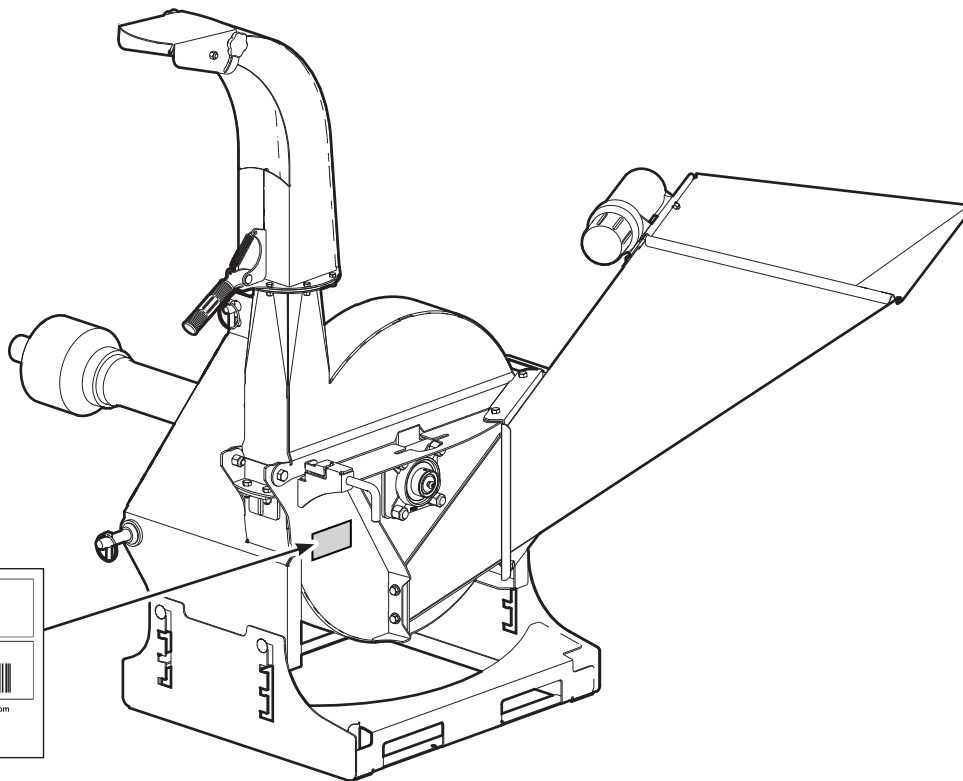
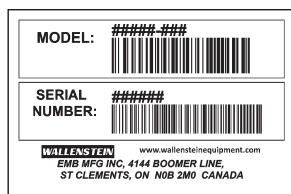
WARNING!

Refer to the operators manual for safe operation and maintenance.

Maintenance should be performed by trained personnel only.

Serial Number Location

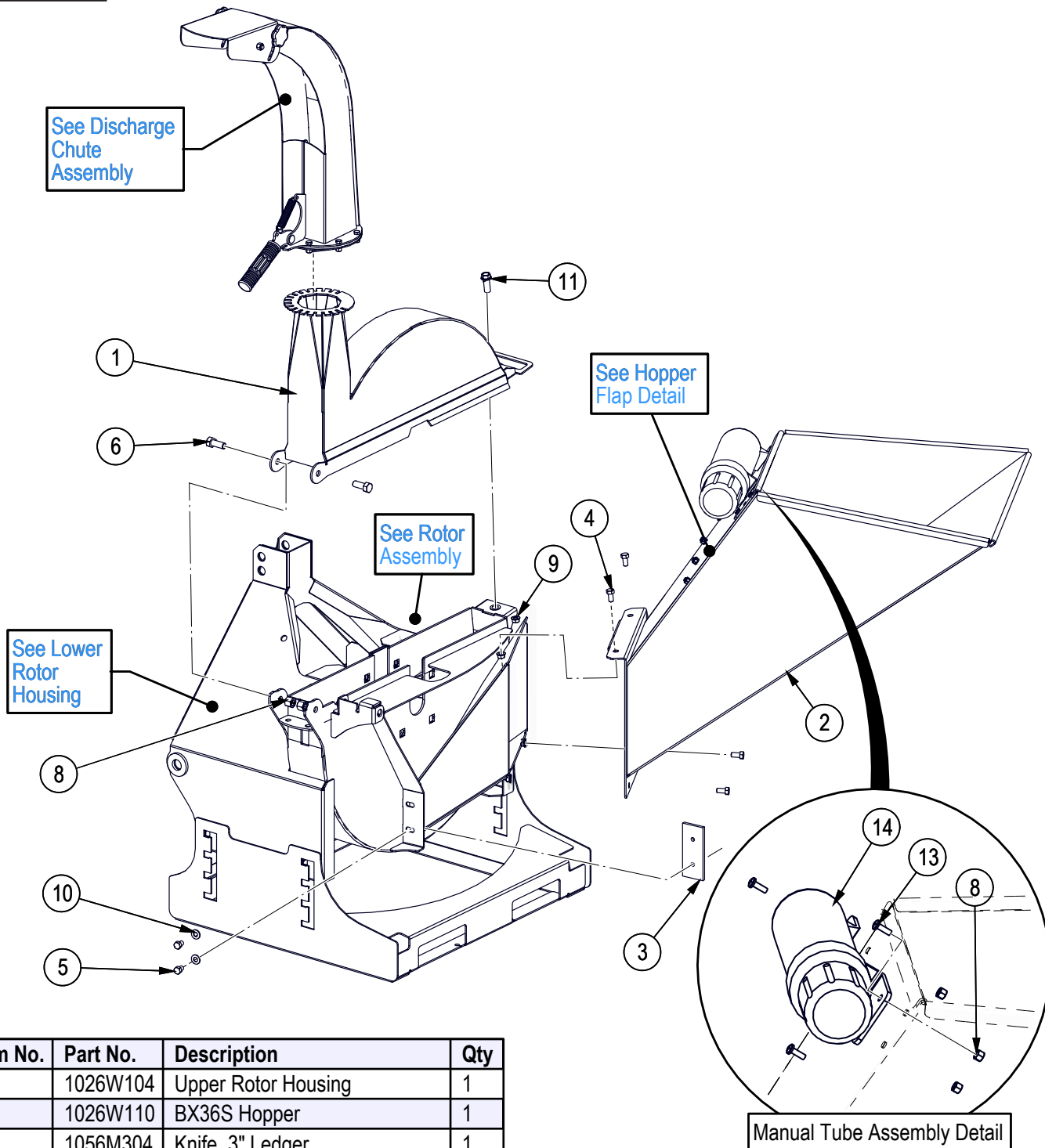
Always provide the model and serial number of your Wallenstein product when ordering parts or requesting service or other information.



Contents

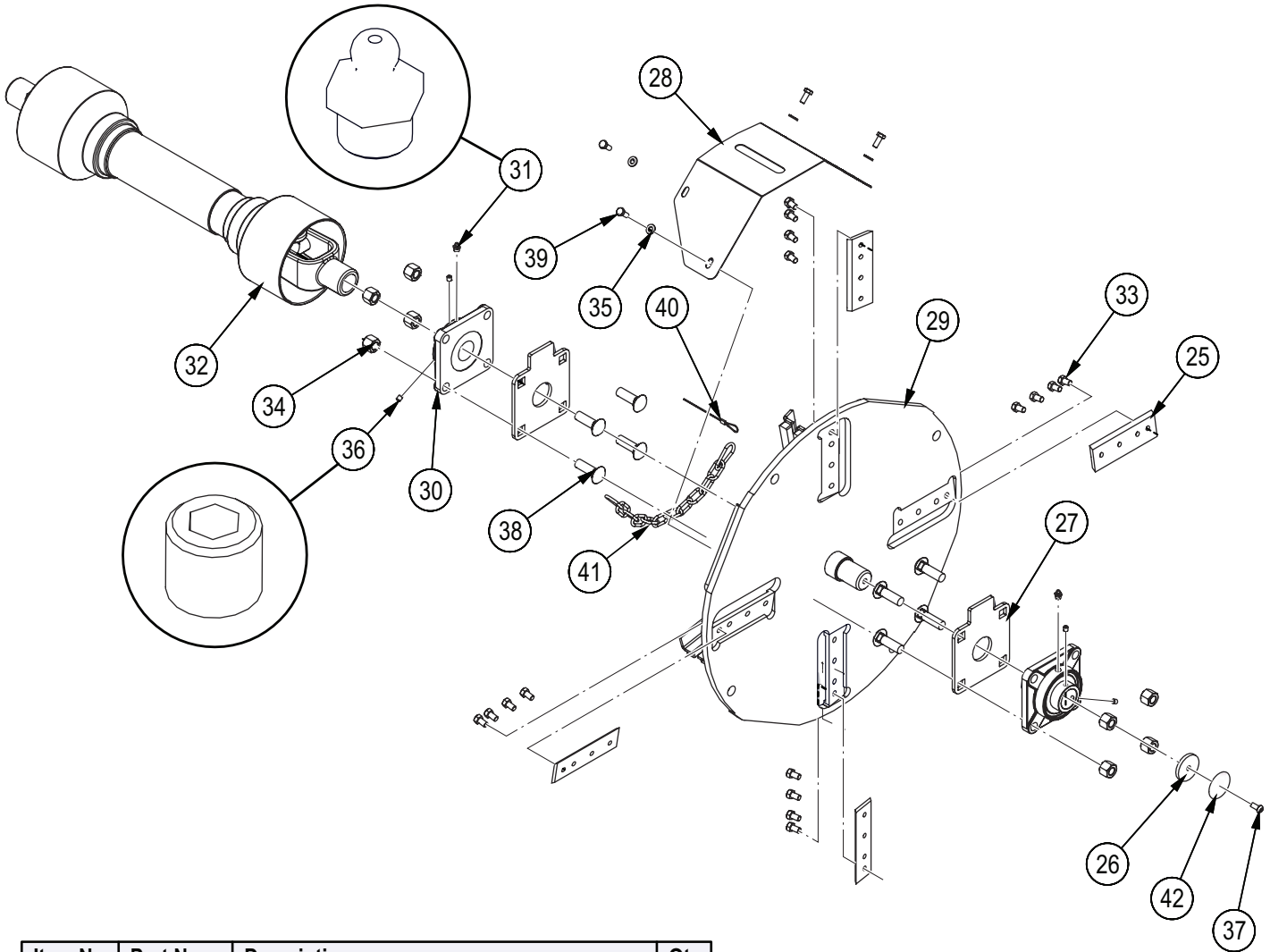
Main Parts	4
Rotor Assembly	5
Lower Rotor Housing	6
Discharge Chute Assembly	7
Hopper Flap Detail	7
PTO Shaft #Z44402	8
Decals – Left-hand Side	9
Decals – Right-hand Side	10
Common Bolt Torque Values	11

Main Parts



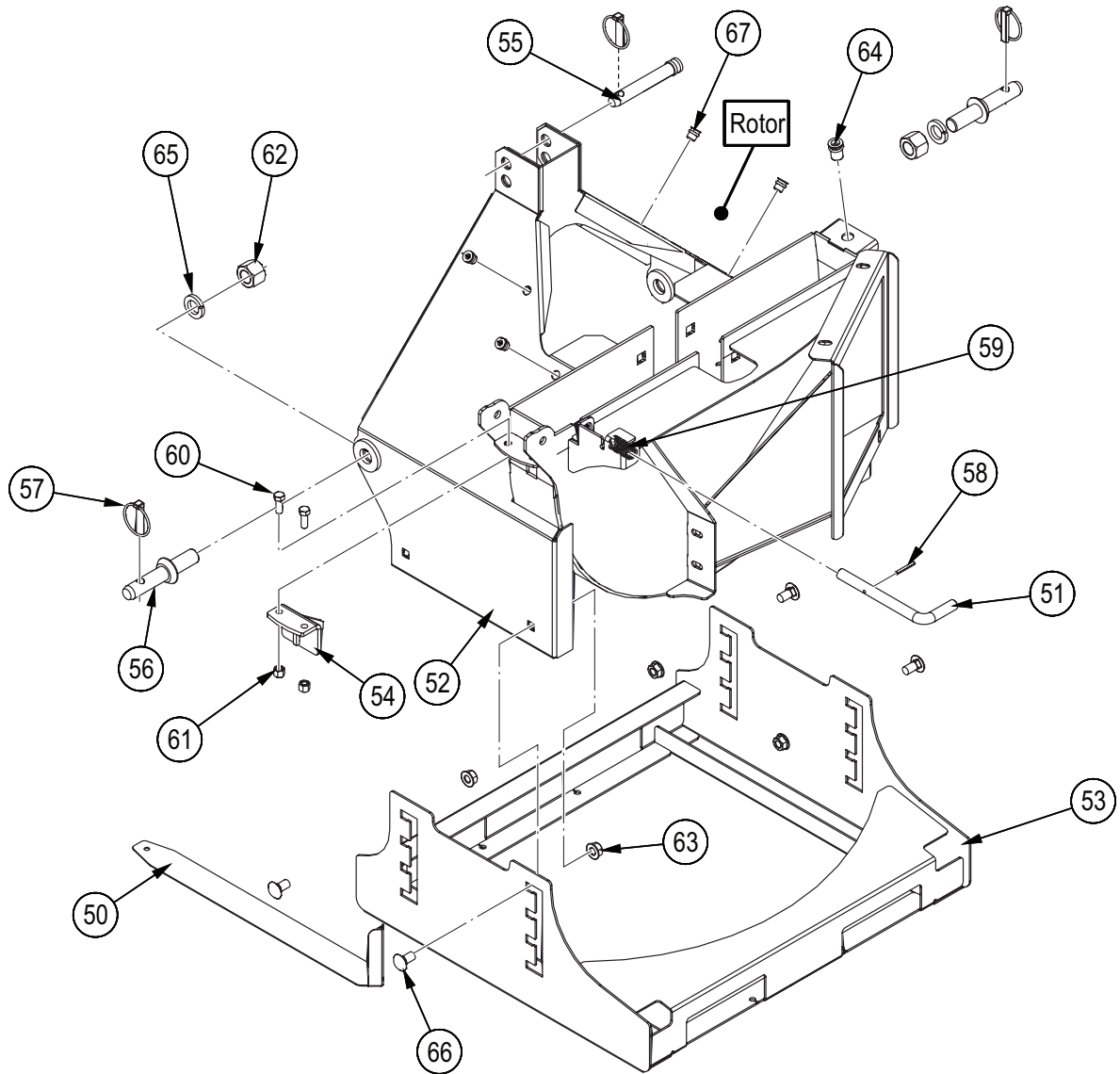
Item No.	Part No.	Description	Qty
1	1026W104	Upper Rotor Housing	1
2	1026W110	BX36S Hopper	1
3	1056M304	Knife, 3" Ledger	1
4	Z71307	Hex Bolt, 3/8NC x 3/4"	4
5	Z71376G8	Hex Bolt, 3/8NF x 1/2" G8	2
6	Z71512	Hex Bolt, 1/2NC x 1-1/4"	2
7	Z72211	Hex Lock Nut, 1/4NC	3
8	Z72251	Hex Lock Nut, 1/2NC	2
9	Z72531	Serrated Flange Locknut, 3/8NC	4
10	Z73131	SAE Washer, 3/8"	2
11	Z76152	Flange Bolt, 1/2NC x 1-1/4"	1
12	Z78301	Machine Screw, 1/4NC x 3/4"	3
13	Z96503	Manual Tube, 3-1/2" Short	1

Rotor Assembly



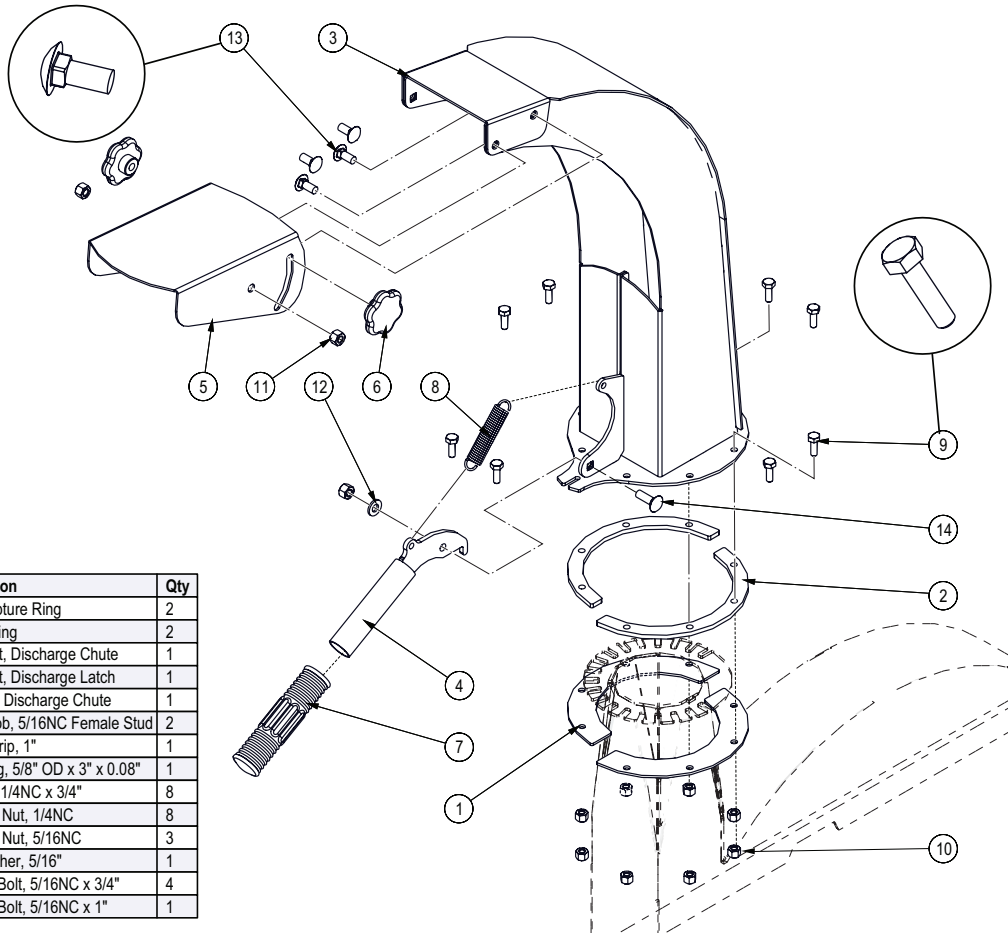
Item No.	Part No.	Description	Qty
25	1011M103	Knife, 4" Rotor	4
26	1021S102	Rotation Indicator Cover	1
27	1024L107	Bearing Plate, BX52	2
28	1026L154	PTO Guard	1
29	1026W101	Rotor, 3" Capacity x 4 Knives	1
30	Z25204	4-Bolt Flange Bearing, UCF208-24	2
31	Z29201	Grease Fitting, MP02	2
32	Z44402	PTO Shaft, Series B4 x 32.402"	1
33	Z71372G8	Hex Bolt, 3/8NF x 5/8" G8	16
34	Z72261G8	Hex Lock Nut, 5/8NC G8	8
35	Z73122	SAE Washer, 5/16"	4
36	Z74122	Set Screw, 5/16NF x 3/8"	4
37	Z75351	BHCS, 5/16NF x 3/4"	1
38	Z76261G8	Carriage Bolt, 5/8NC x 2" G8	8
39	Z77150	Hex Bolt, M8x1.25 x 20mm	4
40	Z92127	Aircraft Cable, 1/16" x 16"	1
41	Z92310	PTO Support Chain, 3/16" x 1ft with Two Snaps	1
42	Z94208	Clockwise Rotation Label	1

Lower Rotor Housing



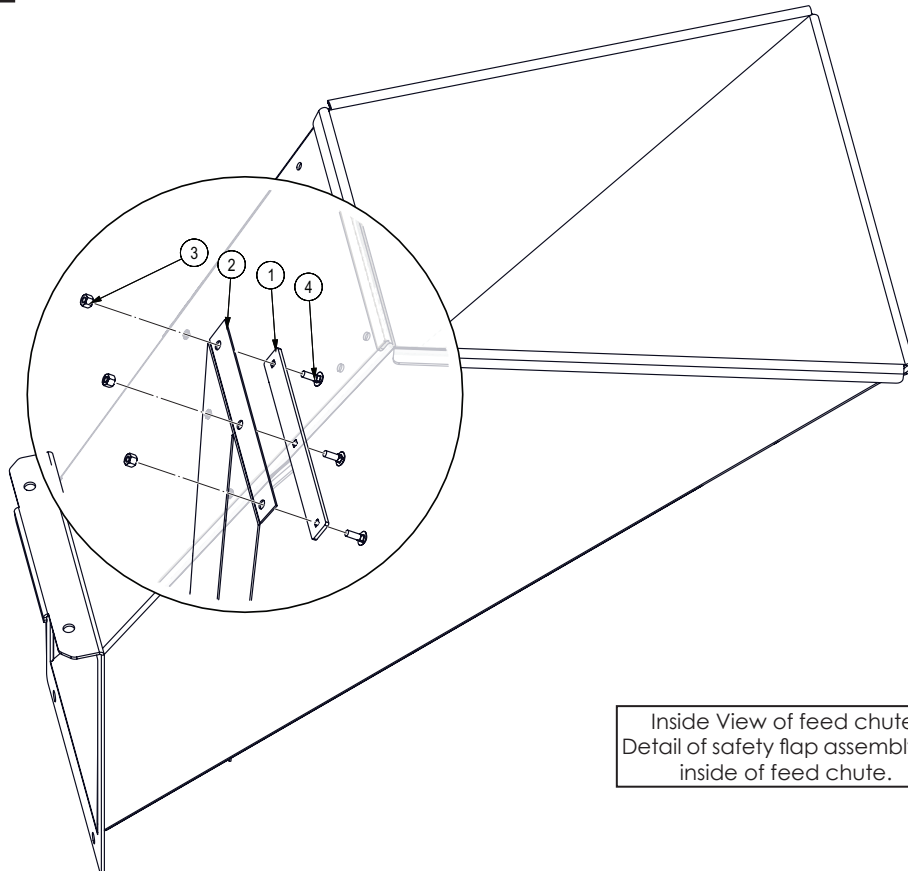
Item No.	Part No.	Description	Qty
50	1012L269	Gauge, Ledger Setting	1
51	1026M102	L Handled Plunger, Compact	1
52	1026W102	Lower Rotor Housing	1
53	1026W105	Adjustable Ski Base	1
54	1026W124	Twig Breaker, Single Tooth	1
55	Z11122	Toplink Pin, 3/4" x 3-7/8"	1
56	Z11431	Implement Pin, 7/8" x 1-3/4" x 7/8NF	2
57	Z12140	Lynch Pin, 7/16"	3
58	Z14151	Roll Pin, 3/16" x 1-1/2"	1
59	Z32305	Comp Spring, 0.845" OD x 3-1/2" x 0.085"	1
60	Z71310	Hex Bolt, 3/8NC x 1"	2
61	Z72231	Hex Lock Nut, 3/8NC	2
62	Z72282	Hex Lock Nut, 7/8NF	2
63	Z72551	Serrated Flange Locknut, 1/2NC	4
64	Z72960	Rivet Nut, 1/2NC x 200	1
65	Z73381	Split Lock Washer, 7/8"	2
66	Z76252	Carriage Bolt, 1/2NC x 1"	4
67	Z77937	Rivet Nut, M8x1.25 x 150	4

Discharge Chute Assembly



BOM ID	Part No.	Description	Qty
1	1026L133	Hood Capture Ring	2
2	1026L134	Spacer Ring	2
3	1026W106	Weldment, Discharge Chute	1
4	1026W108	Weldment, Discharge Latch	1
5	1056L333	Deflector, Discharge Chute	1
6	Z19313	Hand Knob, 5/16NC Female Stud	2
7	Z19321	Handle Grip, 1"	1
8	Z31305	Ext Spring, 5/8" OD x 3" x 0.08"	1
9	Z71107	Hex Bolt, 1/4NC x 3/4"	8
10	Z72211	Hex Lock Nut, 1/4NC	8
11	Z72221	Hex Lock Nut, 5/16NC	3
12	Z73122	SAE Washer, 5/16"	1
13	Z76221	Carriage Bolt, 5/16NC x 3/4"	4
14	Z76225	Carriage Bolt, 5/16NC x 1"	1

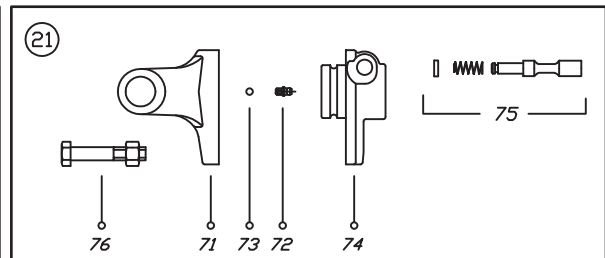
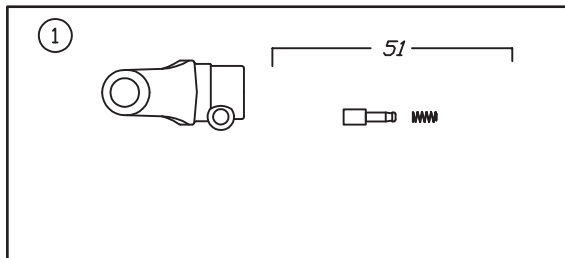
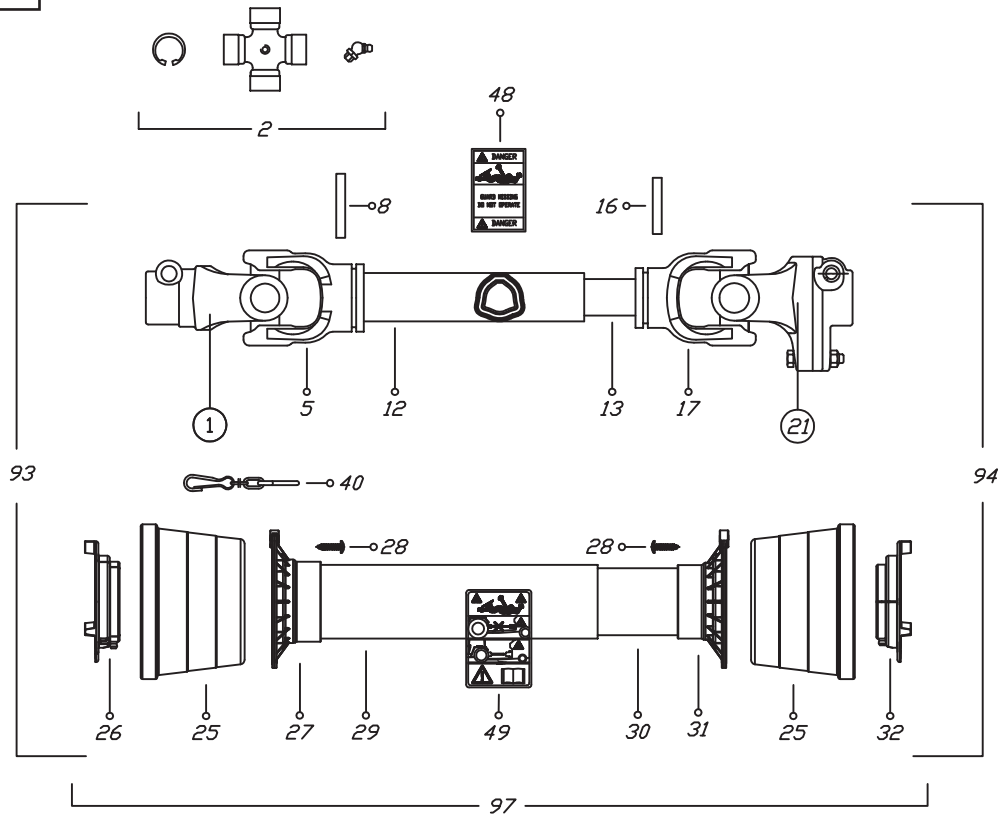
Hopper Flap Detail



BOM ID	Part No.	Description	Qty
1	1018L994	Chipper Chute Flap Clamp	1
2	1056S604	Flap, Hopper	1
3	Z72211	Hex Lock Nut, 1/4NC	3
4	Z76211	Carriage Bolt, 1/4NC x 3/4"	3

Inside View of feed chute:
Detail of safety flap assembly on
inside of feed chute.

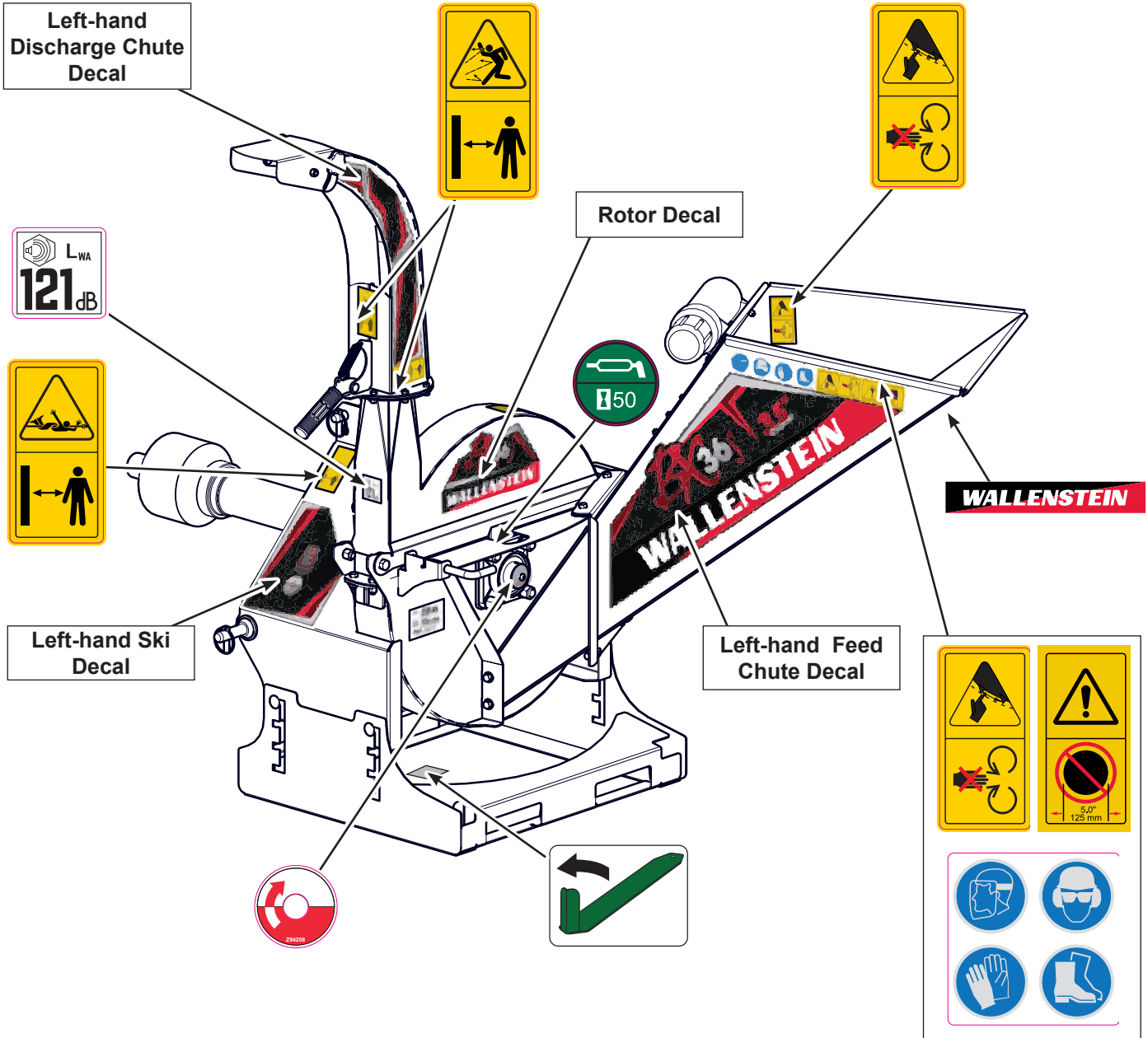
PTO Shaft #Z44402



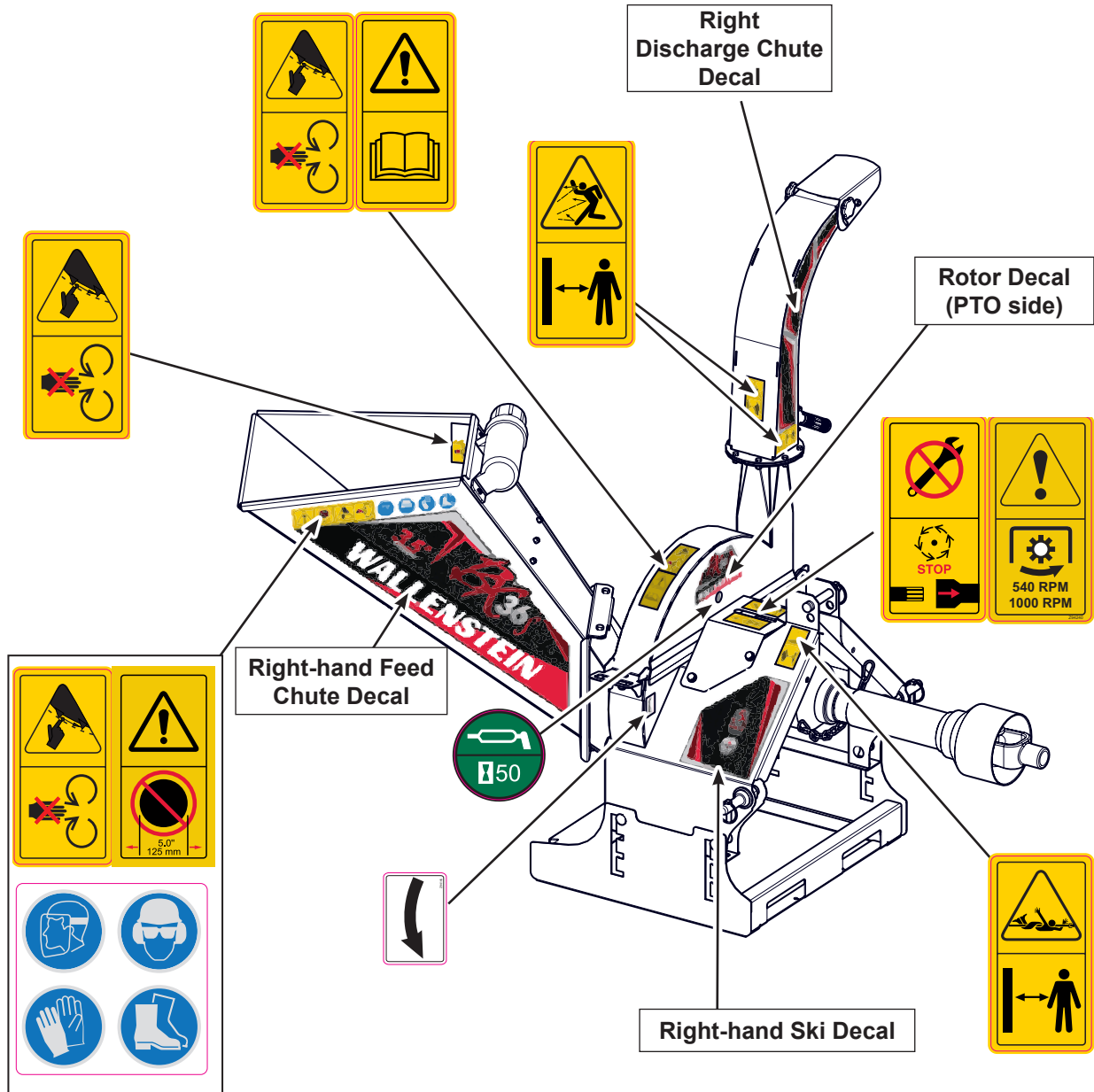
Binacchi SPARE PARTS LIST : B4N061USA60098			
POS.	DESCRIPTION	Q.	Part #
01	YOKE	1	0800403
02	CROSS JOURNAL ASS.	2	08204
05	OUTER TUBE YOKE	1	08004021
08	FLEXIBLE PIN	1	098700860
12	CM. 100 CARDAN TUBE(*)	1	09881433100
13	CM. 100 CARDAN TUBE(*)	1	09881364100
16	FLEXIBLE PIN	1	098700855
17	INNER TUBE YOKE	1	08004011
21	SHEAR BOLT COUPLER	1	08804
25	CONE SHIELD BELL 03-04	2	021904C001
26	OUTER BEARING 03-04	1	025504C001
27	OUTER BASE CONE 03-04	1	025404C001
28	SCREW	6	0998052242
29	OUTER SAFETY TUBE	1	0988966NB4061
30	INNER SAFETY TUBE	1	0988961NB4061
31	INNER BASE CONE 03-04	1	025404C002
32	INNER BEARING 03-04	1	025504C002
40	CHAIN	1	0252000001
48	LABEL DANGER OUTER DRIVE TUBE	1	09872006
49	EXTERNAL SHIELD LABEL	1	09872003
51	COMPLETE PUSH BUTTTON	1	0986014047
71	YOKE FOR LB4	1	08896904
72	GREASE NIPPLE	1	0984010150
73	STEEL BALL	23	098680104
74	HUB	1	088964
75	PUSH PIN SET	1	0986014075
76	NUT AND SHEARBOLT M8 x 1.25 x 45 10.9	1	Z44902
93	OUTER HALF SHAFT	1	B4N061US2
94	INNER HALF SHAFT	1	B4N061US1098
97	SAFETY GUARD	1	083US04061

Decals – Left-hand Side

If safety signs have been damaged, removed, become illegible or parts replaced without safety signs, new signs must be applied. Safety signs are included in the decal kit available from your authorized dealer. Decals not available separately.



Decals – Right-hand Side




Common Bolt Torque Values

Checking Bolt Torque

The tables shown give correct torque values for various bolts and capscrews. Tighten all bolts to the torque values specified in the table, unless indicated otherwise. Check tightness of bolts periodically.

IMPORTANT! If replacing hardware, use fasteners of the same grade.

IMPORTANT! Torque figures indicated in the table are for non-greased or non-oiled threads. Do not grease or oil threads unless indicated otherwise. When using a thread locker, increase torque values by 5%.

 **NOTE:** Bolt grades are identified by their head markings.

Imperial Bolt Torque Specifications						
Bolt Diameter	Torque Value					
	SAE Gr. 2		SAE Gr. 5		SAE Gr. 8	
	lbf•ft	N•m	lbf•ft	N•m	lbf•ft	N•m
1/4"	6	8	9	12	12	17
5/16"	10	13	19	25	27	36
3/8"	20	27	33	45	45	63
7/16"	30	41	53	72	75	100
1/2"	45	61	80	110	115	155
9/16"	60	95	115	155	165	220
5/8"	95	128	160	215	220	305
3/4"	165	225	290	390	400	540
7/8"	170	230	420	570	650	880
1"	225	345	630	850	970	1320



SAE Gr. 2



SAE Gr. 5



SAE Gr. 8

Metric Bolt Torque Specifications				
Bolt Diameter	Torque Value			
	Gr. 8.8		Gr. 10.9	
	lbf•ft	N•m	lbf•ft	N•m
M3	0.4	0.5	1.3	1.8
M4	2.2	3	3.3	4.5
M6	7	10	11	15
M8	18	25	26	35
M10	37	50	52	70
M12	66	90	92	125
M16	166	225	229	310
M20	321	435	450	610
M30	1,103	1 495	1,550	2 100
M36	1,917	2 600	2,700	3 675



8.8



10.9