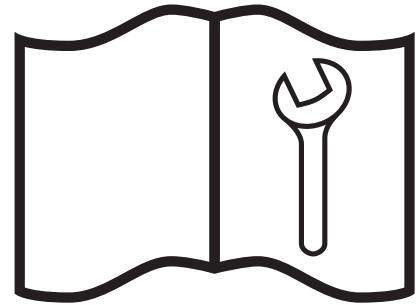


Setup Instructions

WP845 serial number up to 2E9US1110PS045232, and 1100000 to 1101347
WP875 serial number up to 2E9US1114PS0875025, and 1100000 to 1101347



WP845
WP875



IMPORTANT! Inspect for damage from shipping. Immediately contact the shipping company if damage is found.

*Note: Some parts are attached to skid with screws.
Shipping brackets are not reused.*

Always Put Safety First!

Read these assembly instructions thoroughly before beginning. Make sure each step is understood before attempting it. Be familiar with all safety signs on the machine and their meaning.

Tighten all fasteners to the torque value specified on the last page. Recheck before using the machine.

Assembly hardware is located inside operator's manual tube.

WARNING!

Position the crate in a large open area to allow access from all sides during assembly.

Stay clear of overhead power lines and obstructions when lifting the machine during assembly. Contact with power lines can cause electrocution. Contact with obstructions can damage components or cause them to fail.

Keep the assembly area clean to prevent slipping or tripping.

Use a hoist when lifting components that weigh 50 lb (23 kg) or more to avoid back injury.

All lifting devices (straps, slings, chains, ratchet blocks) must comply with applicable local regulations and certifications. Wallenstein Equipment Inc. cannot accept responsibility for the use of sub-standard equipment and work practices.

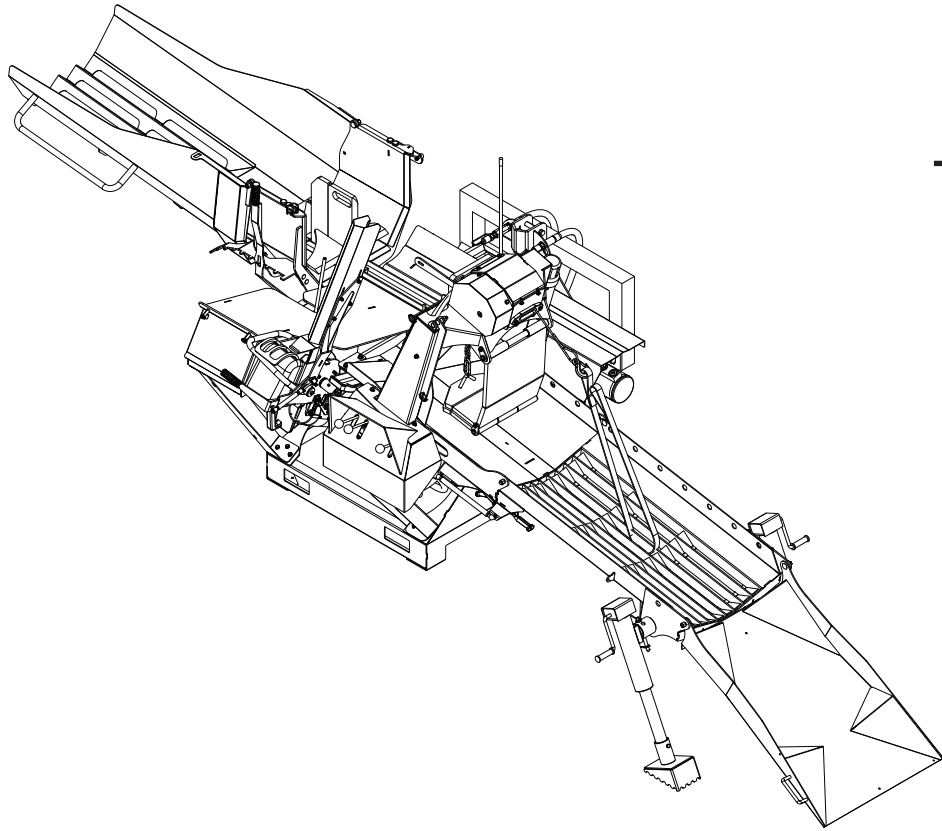
Use lifting equipment with a capacity greater than the weight of the component. Place jack stands or wood blocking under the machine to securely stabilize it before working on it during assembly.

Use the correct tool for the job. Repair or replace broken or defective equipment or tools. Makeshift tools can create safety hazards. A tool that breaks or slips during use risks personal injury.

WARNING!

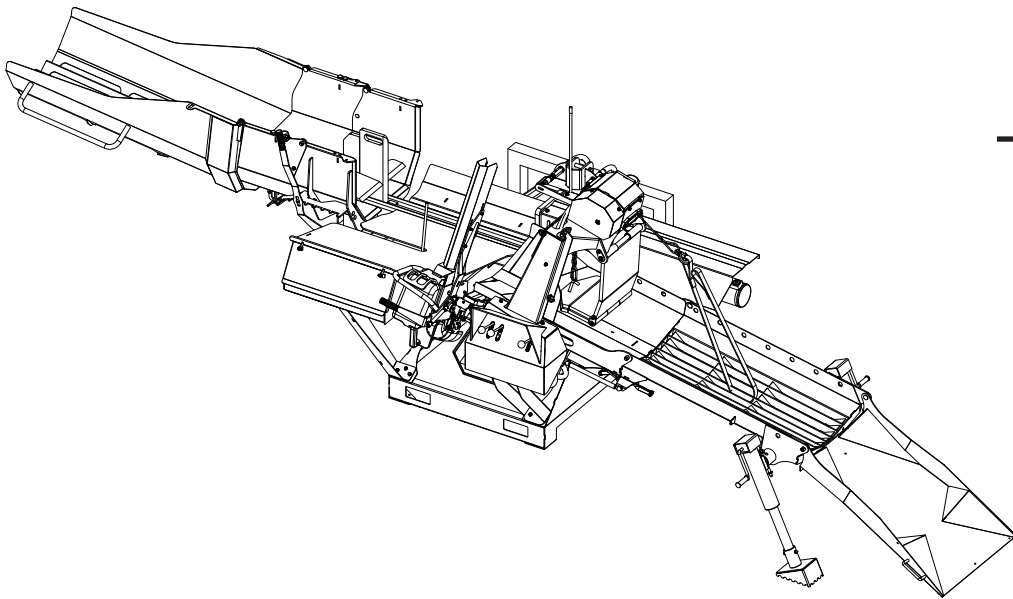
Avoid the risk of personal injury or machine damage! Read the operator's manual before using this equipment. Carefully read all safety messages in the manual and follow all safety signs on the machine.

WP845



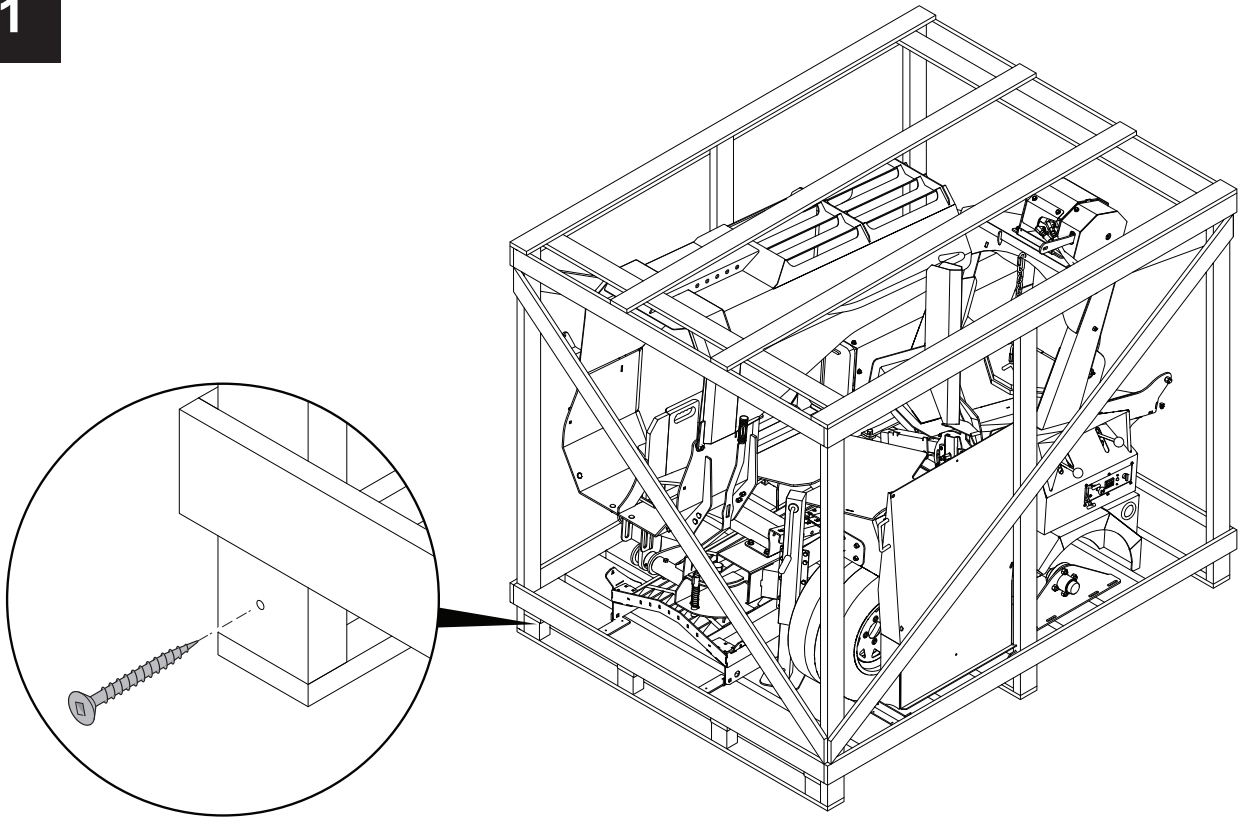
WP845

WP875

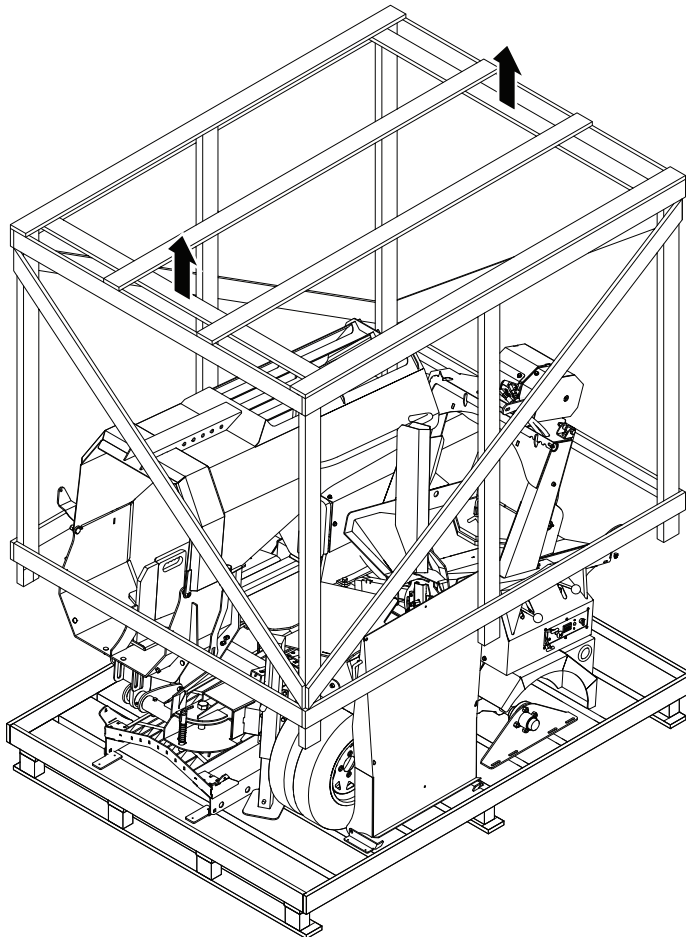


WP875

1

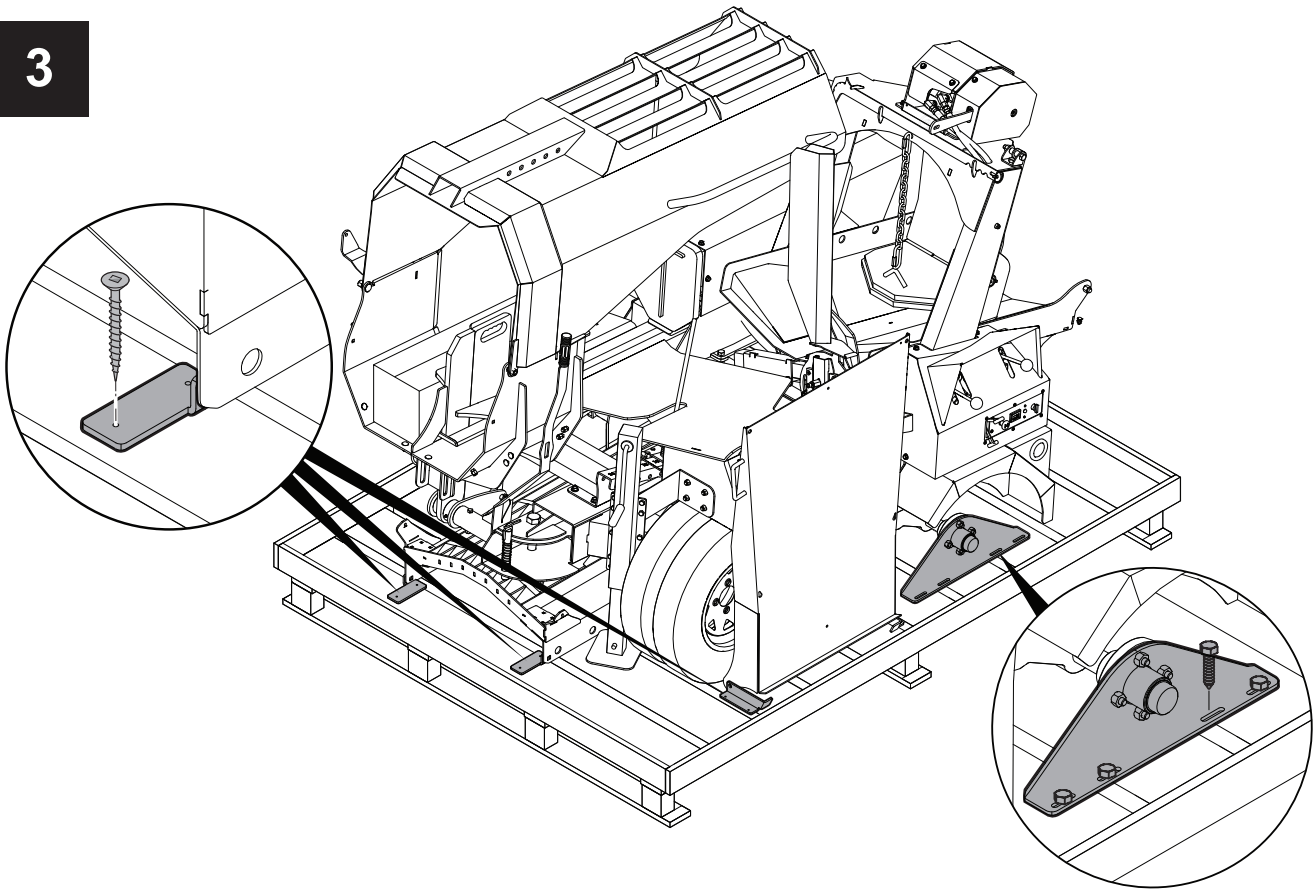


2



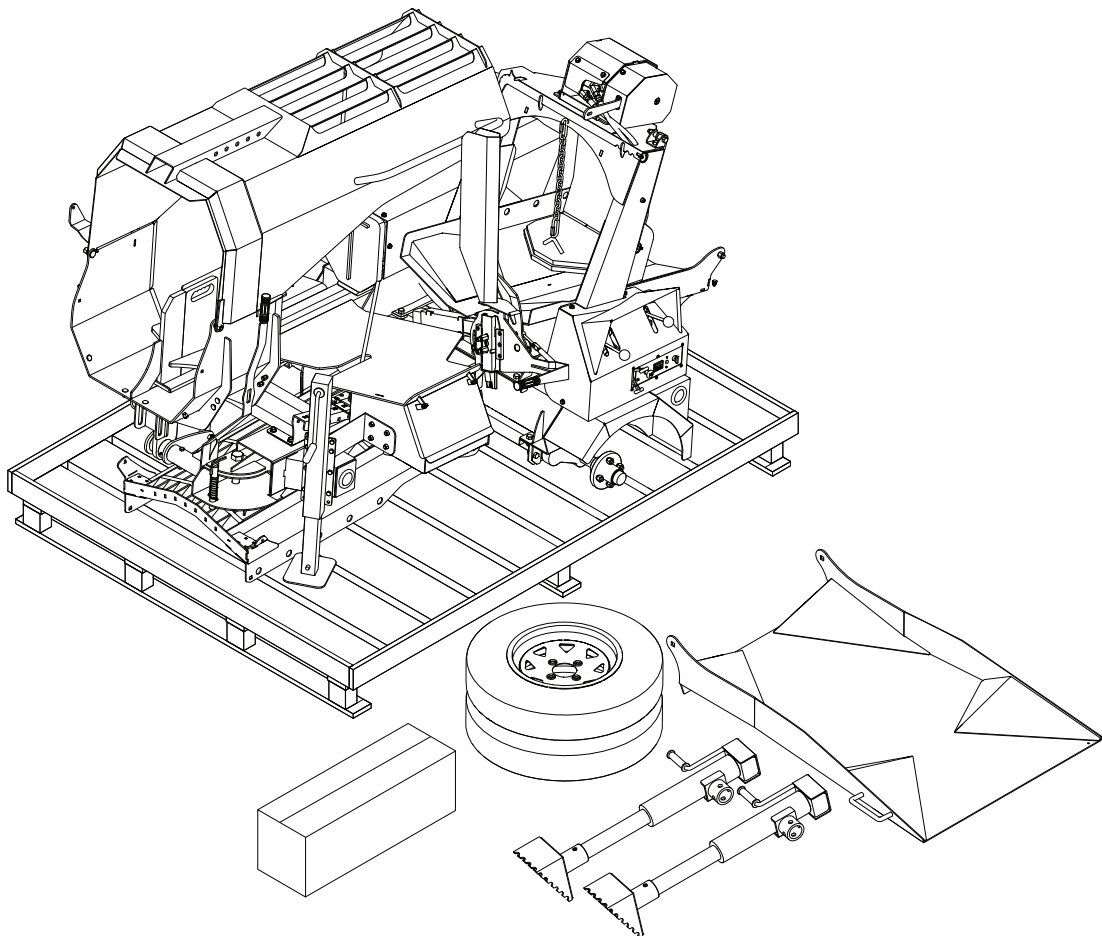
WP845

3



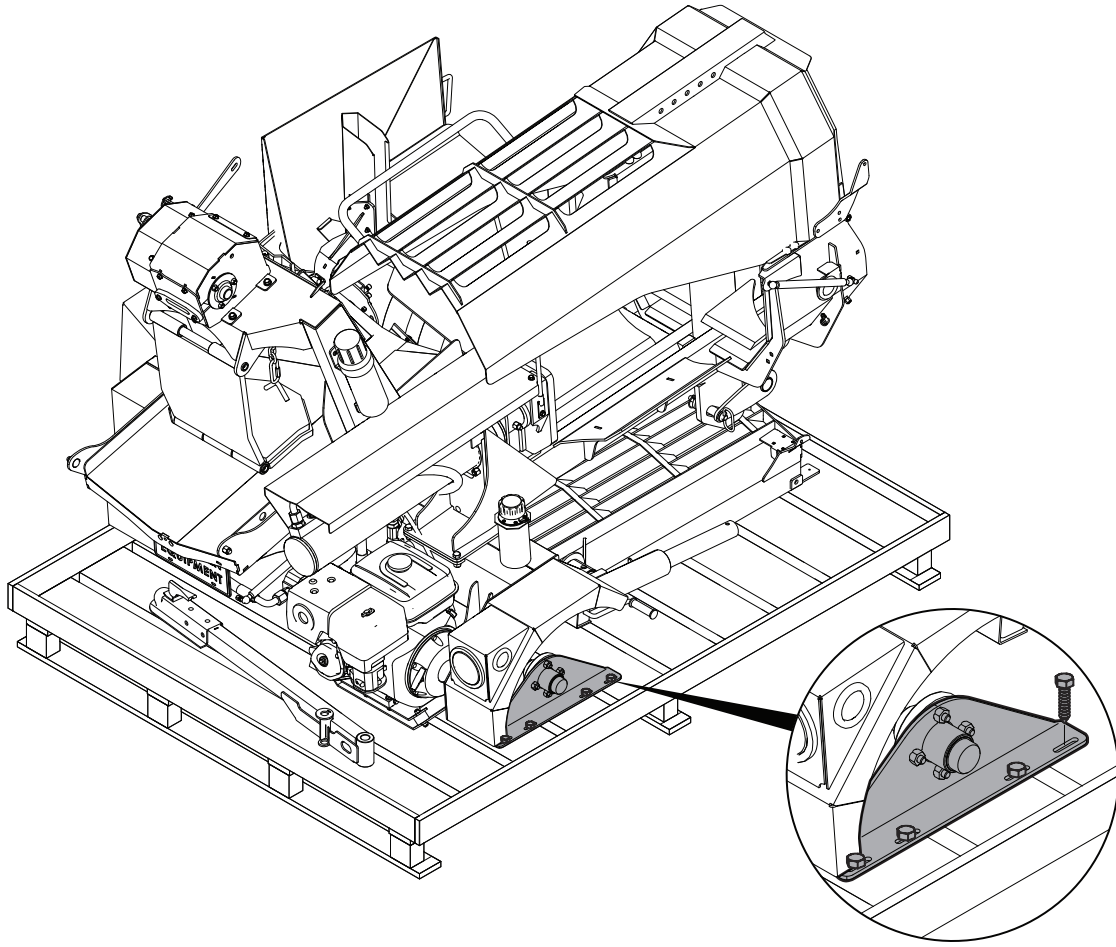
WP845

4

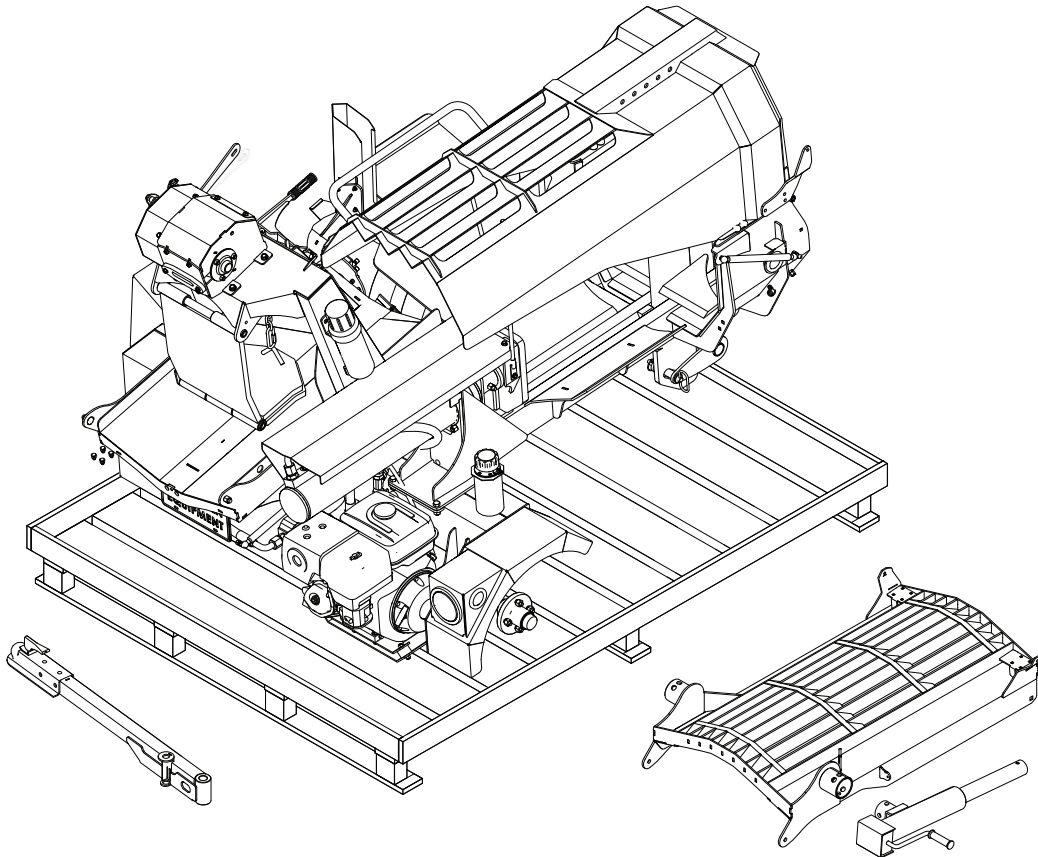


WALLENSTEIN

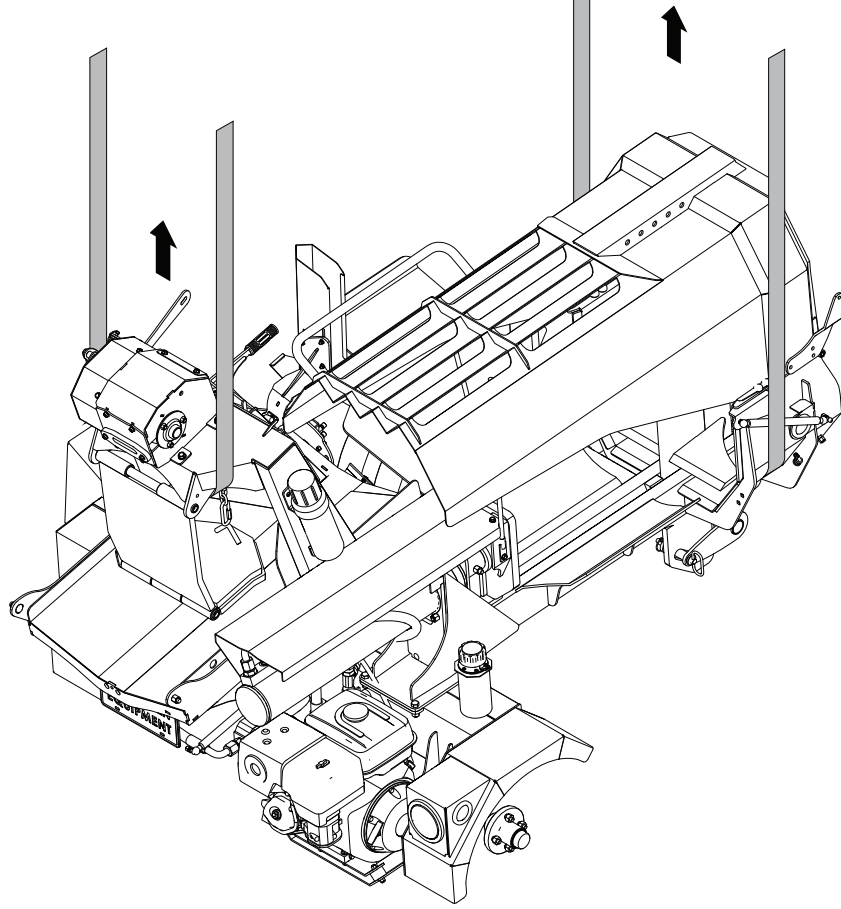
5



6




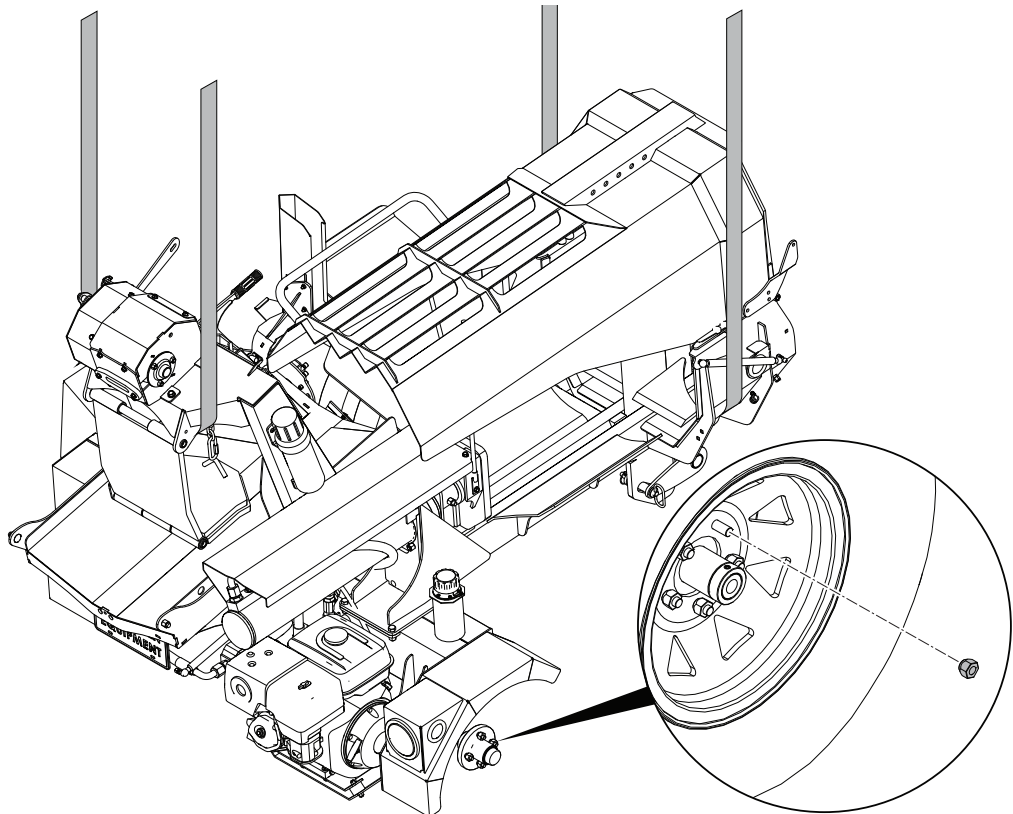
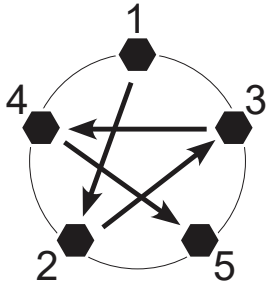
7



WP845

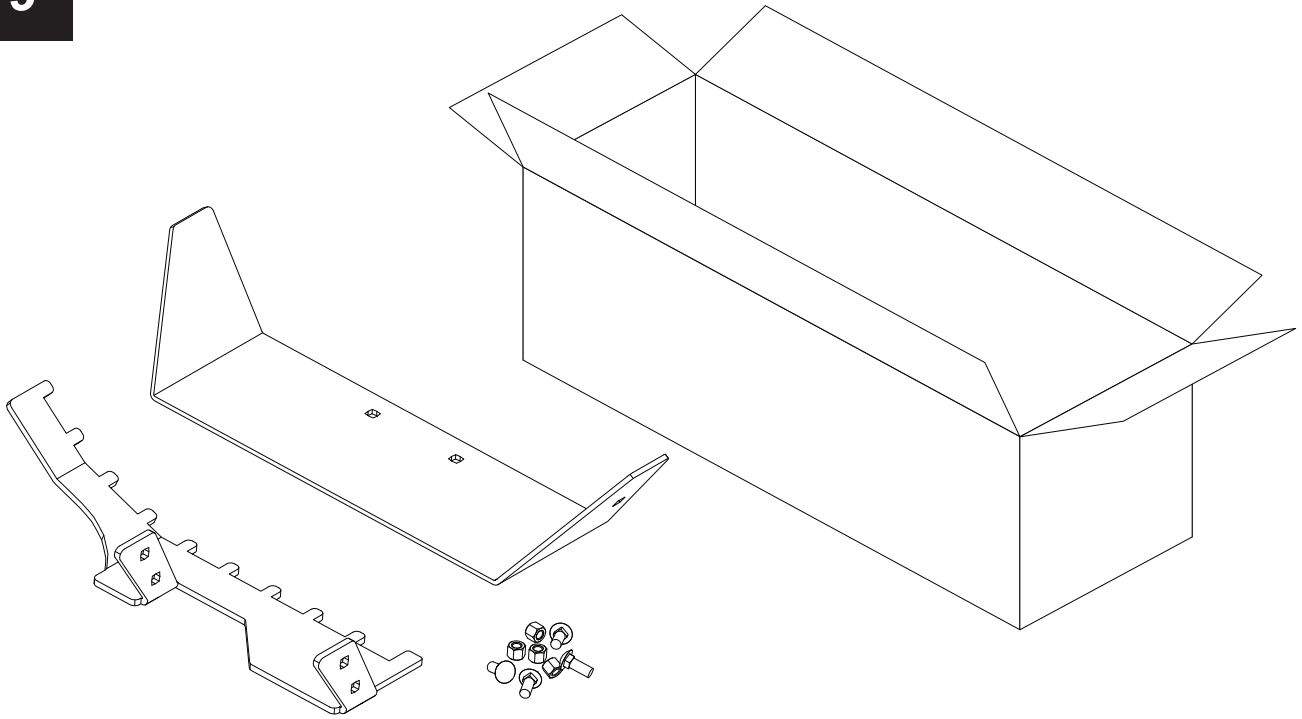
8

	
lbf·ft	80
N·m	110



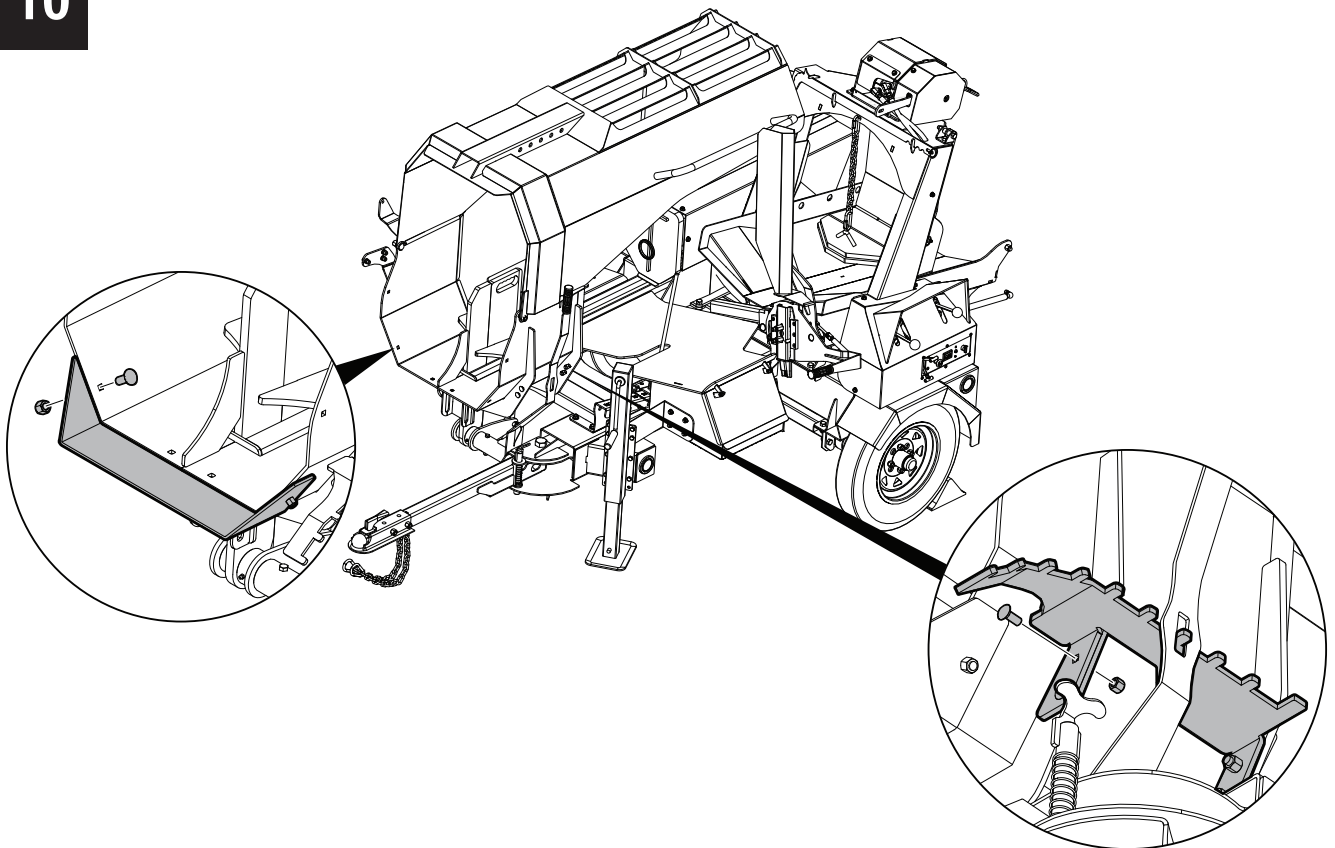
WALLENSTEIN

9

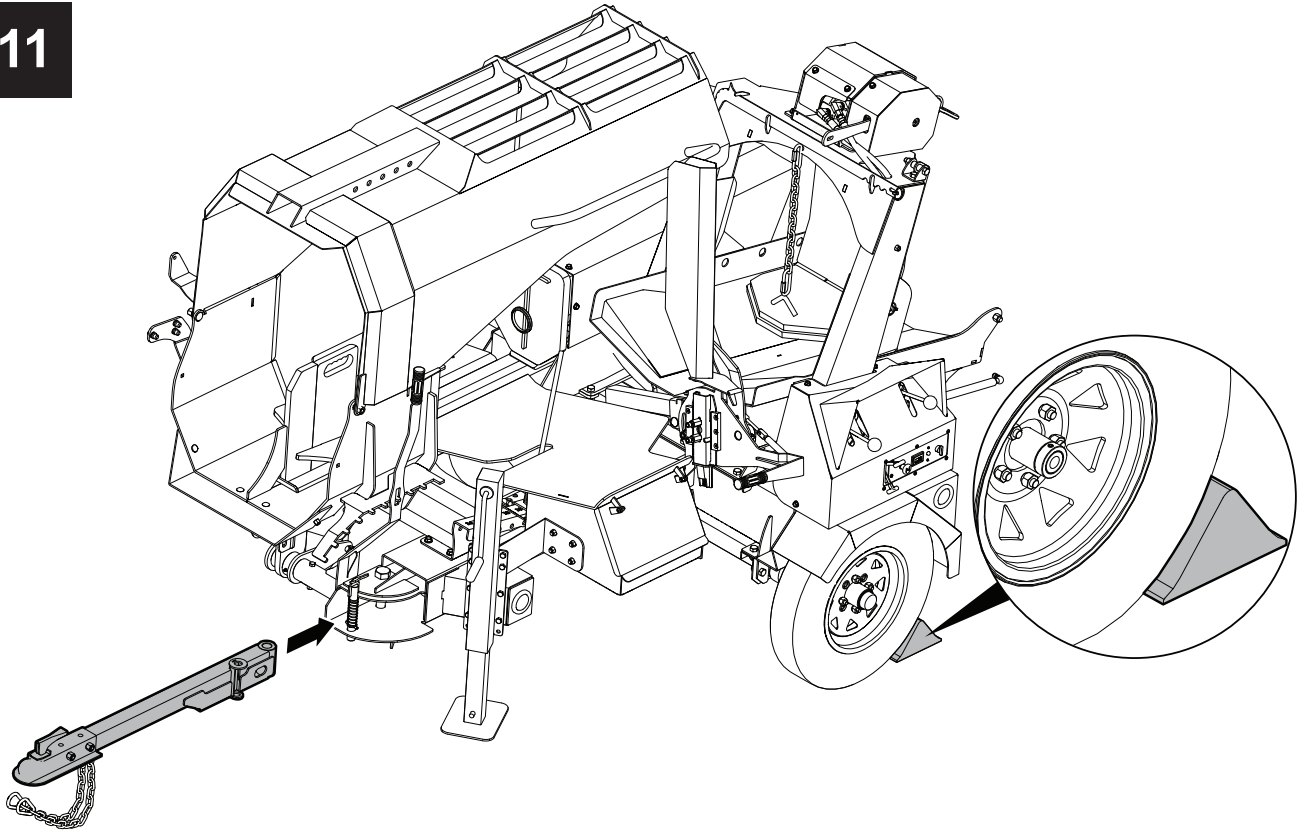


WP845

10

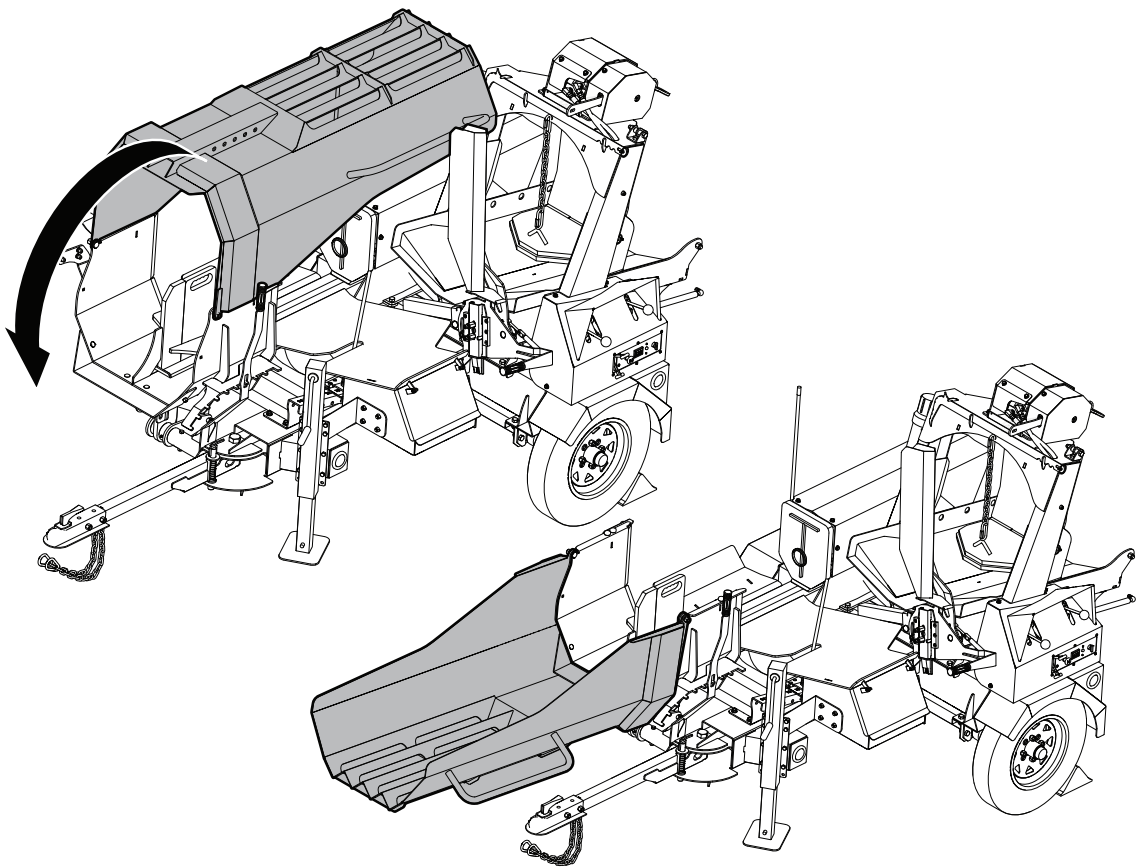


11



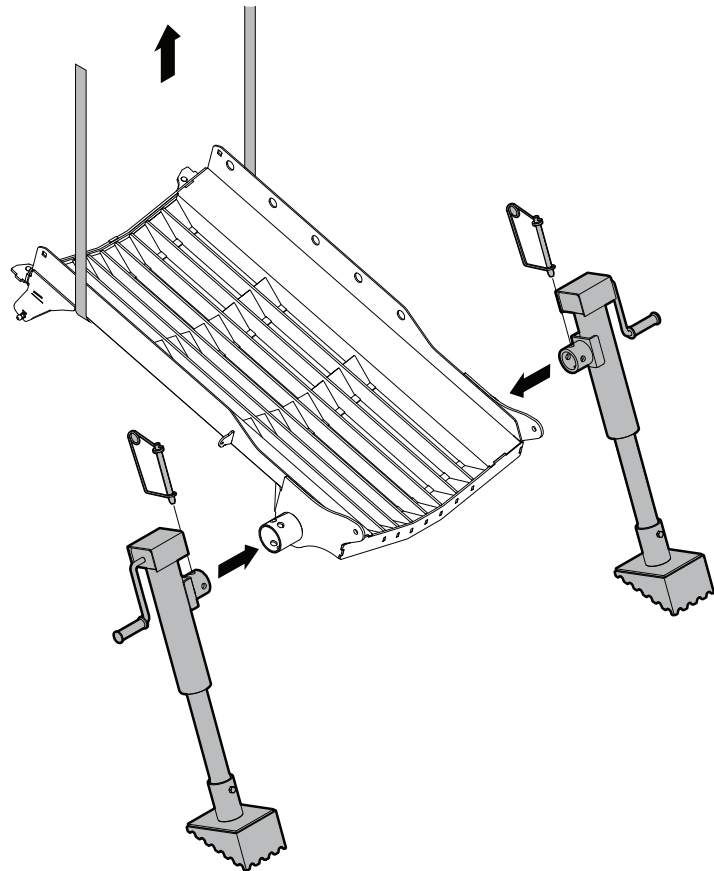
WP845

12

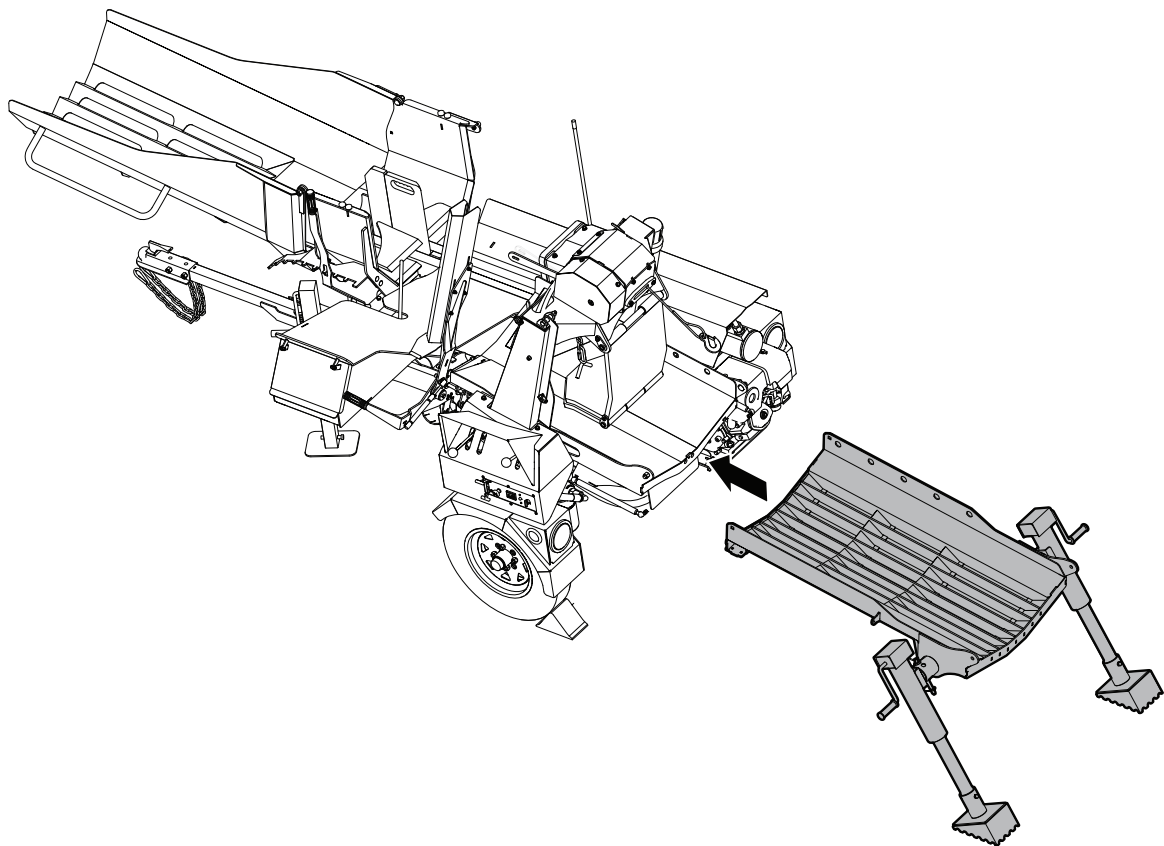


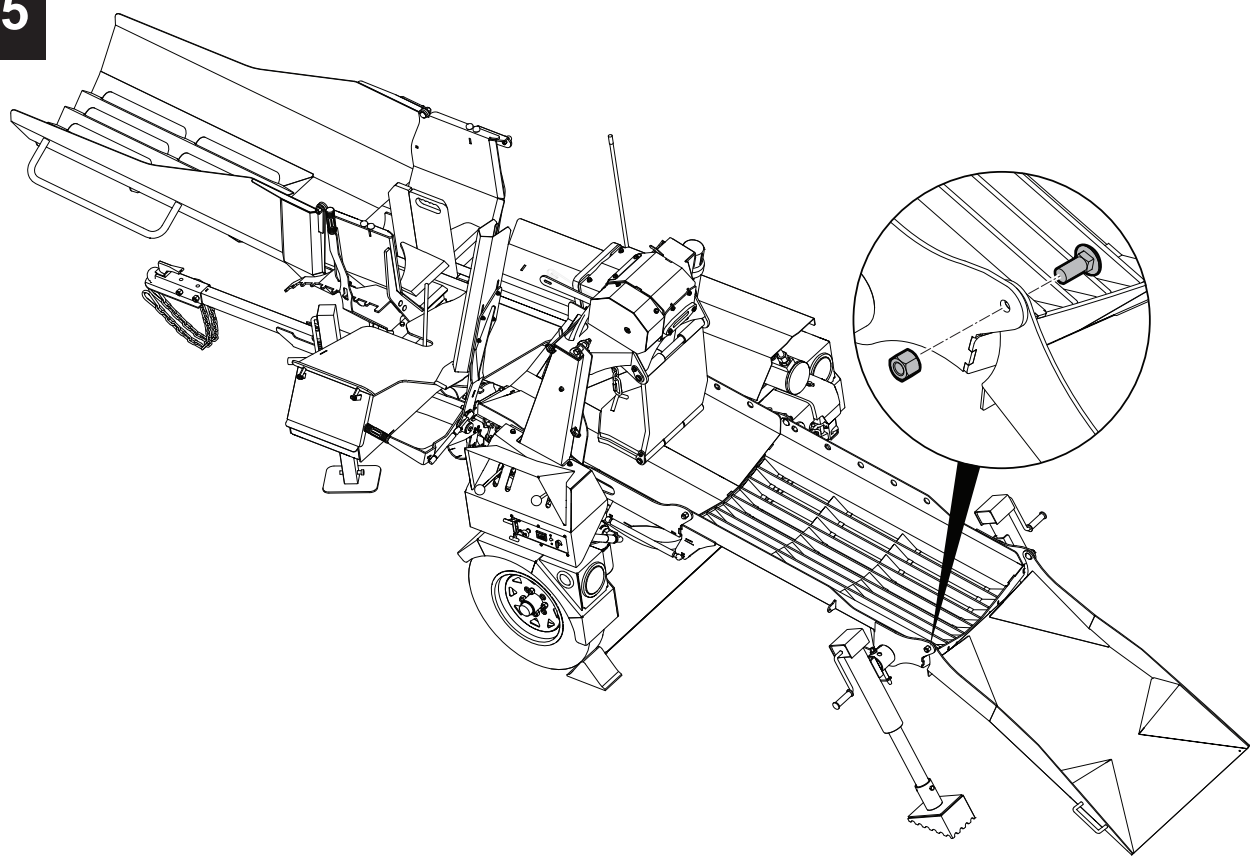
WALLENSTEIN

13

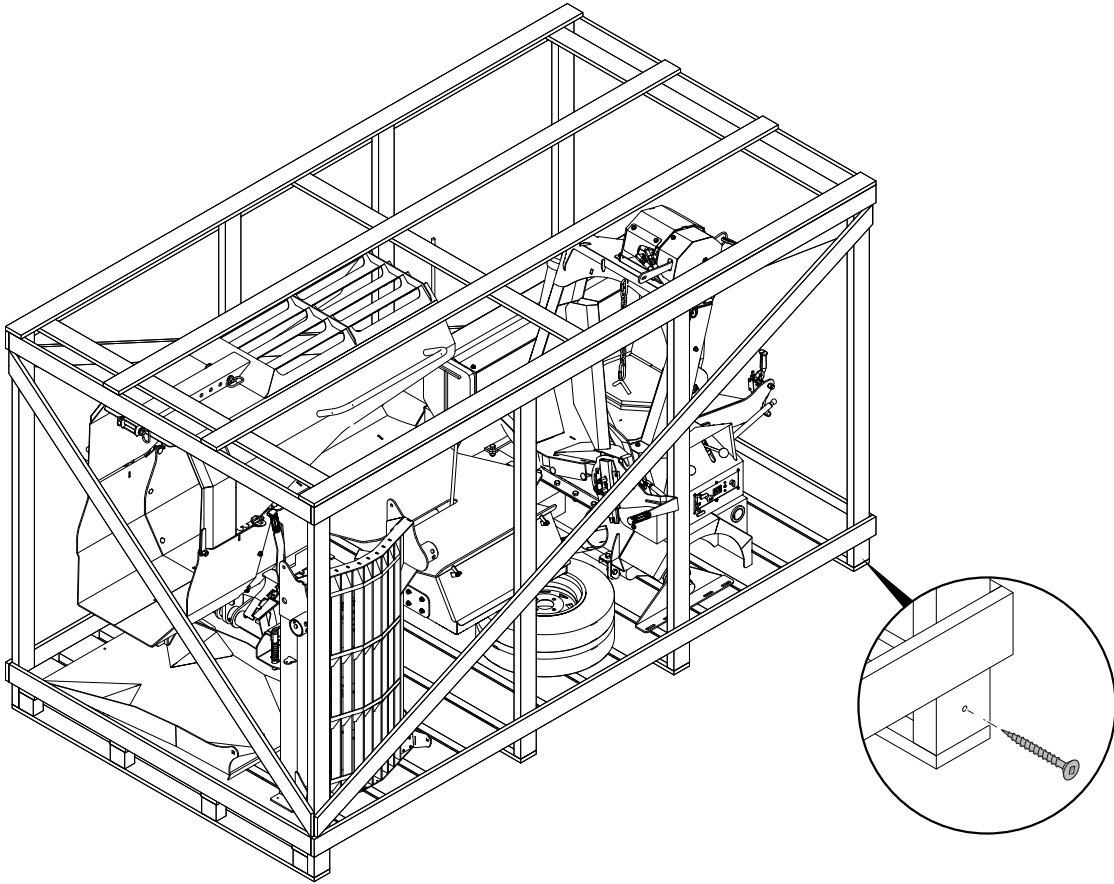


14

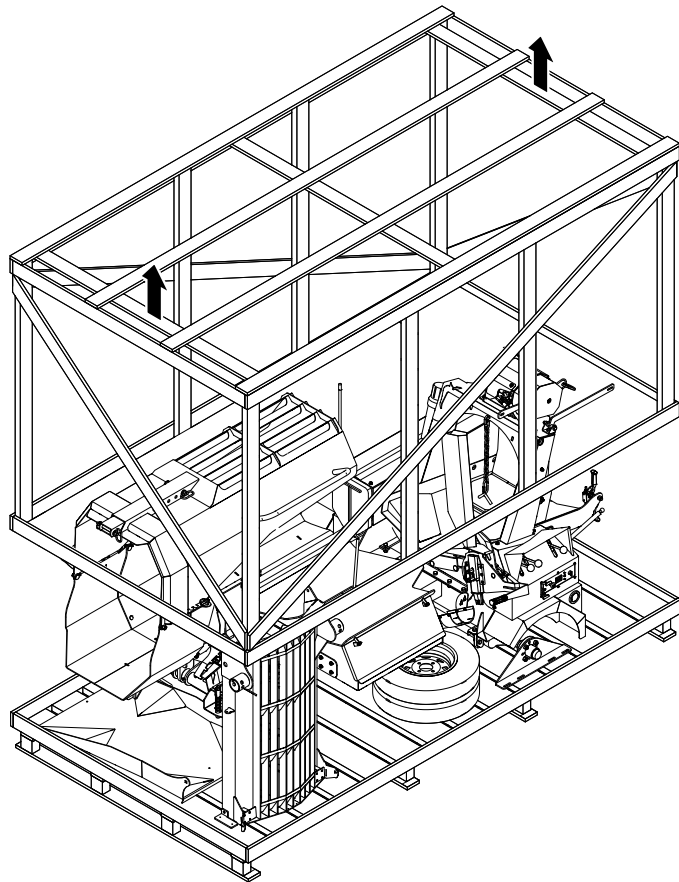




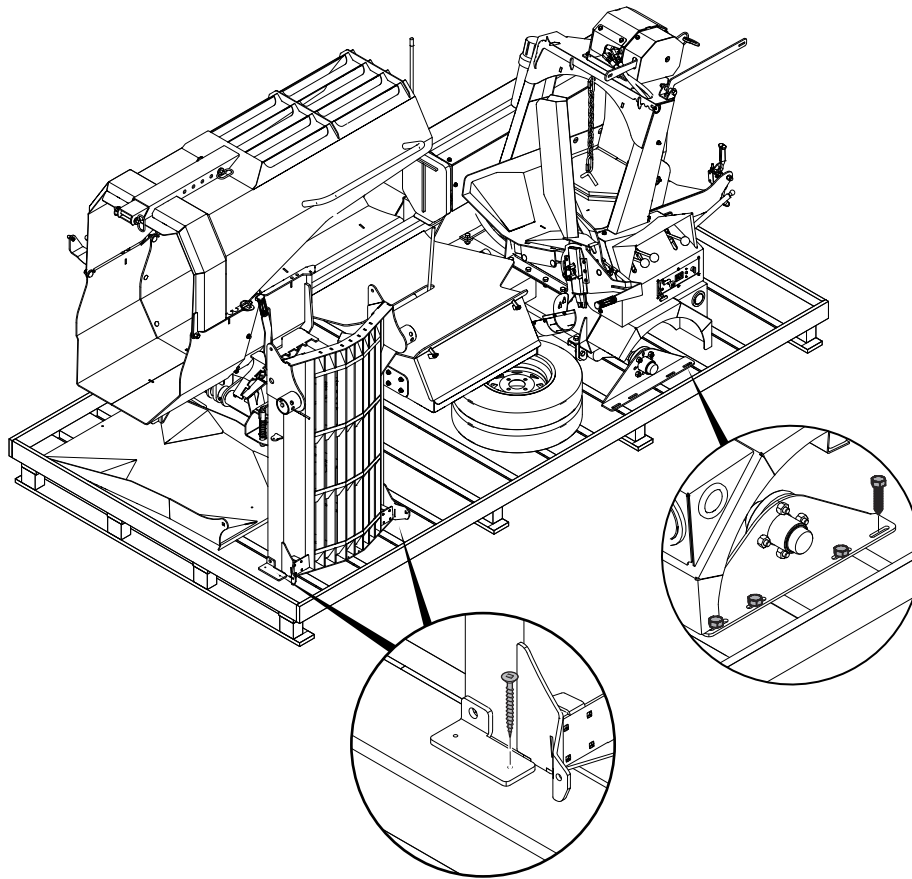
1



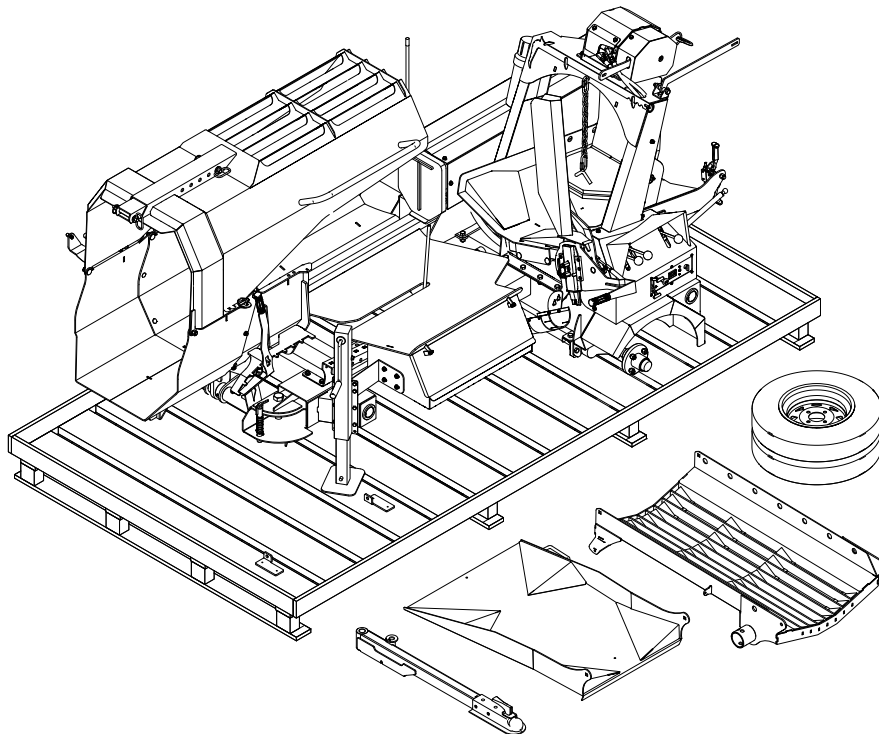
2



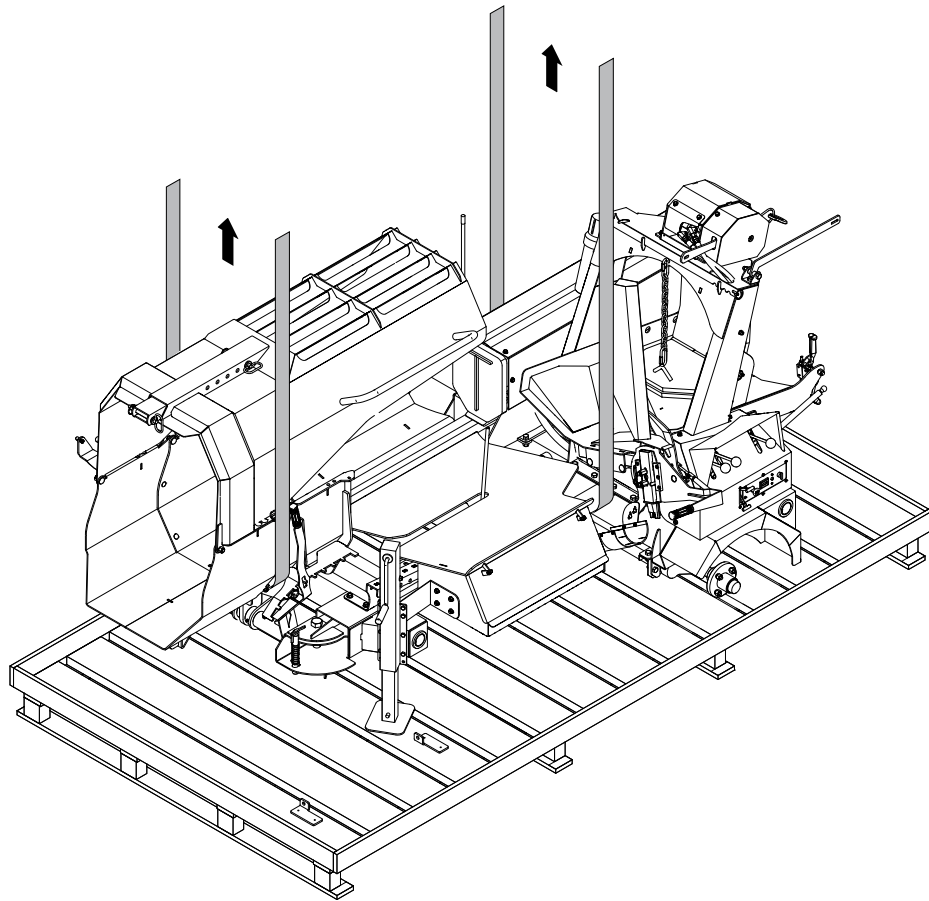
3




4

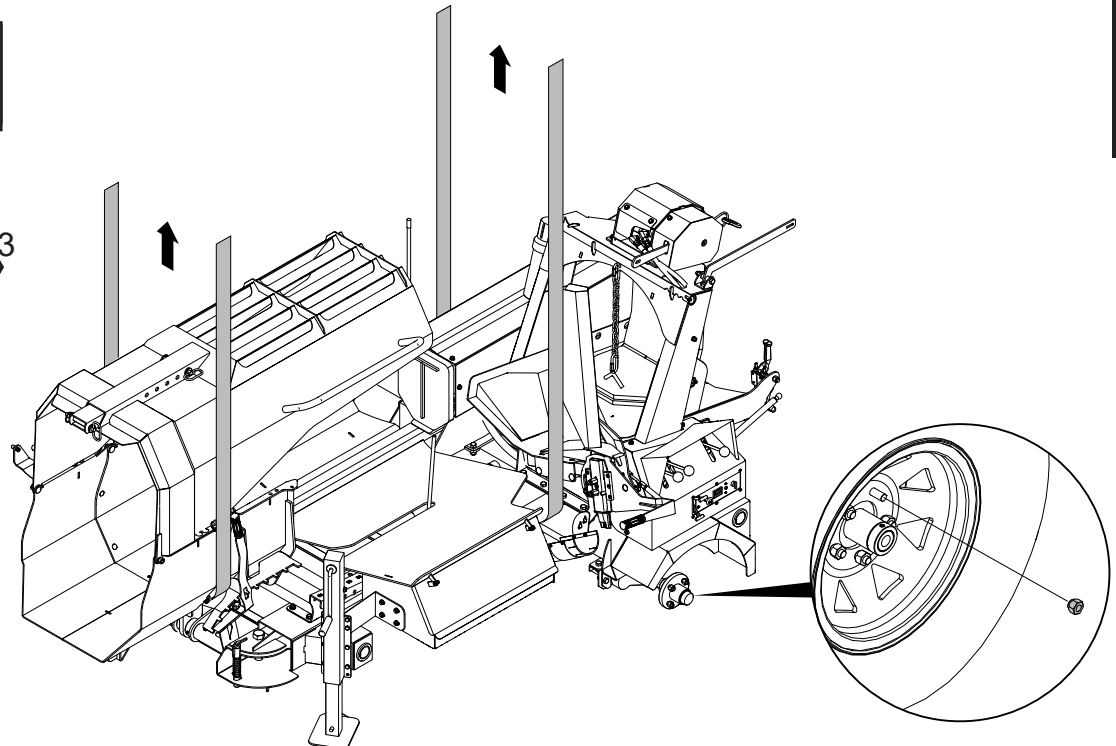
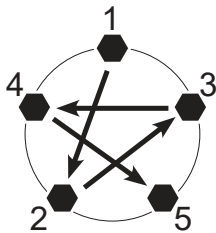


5



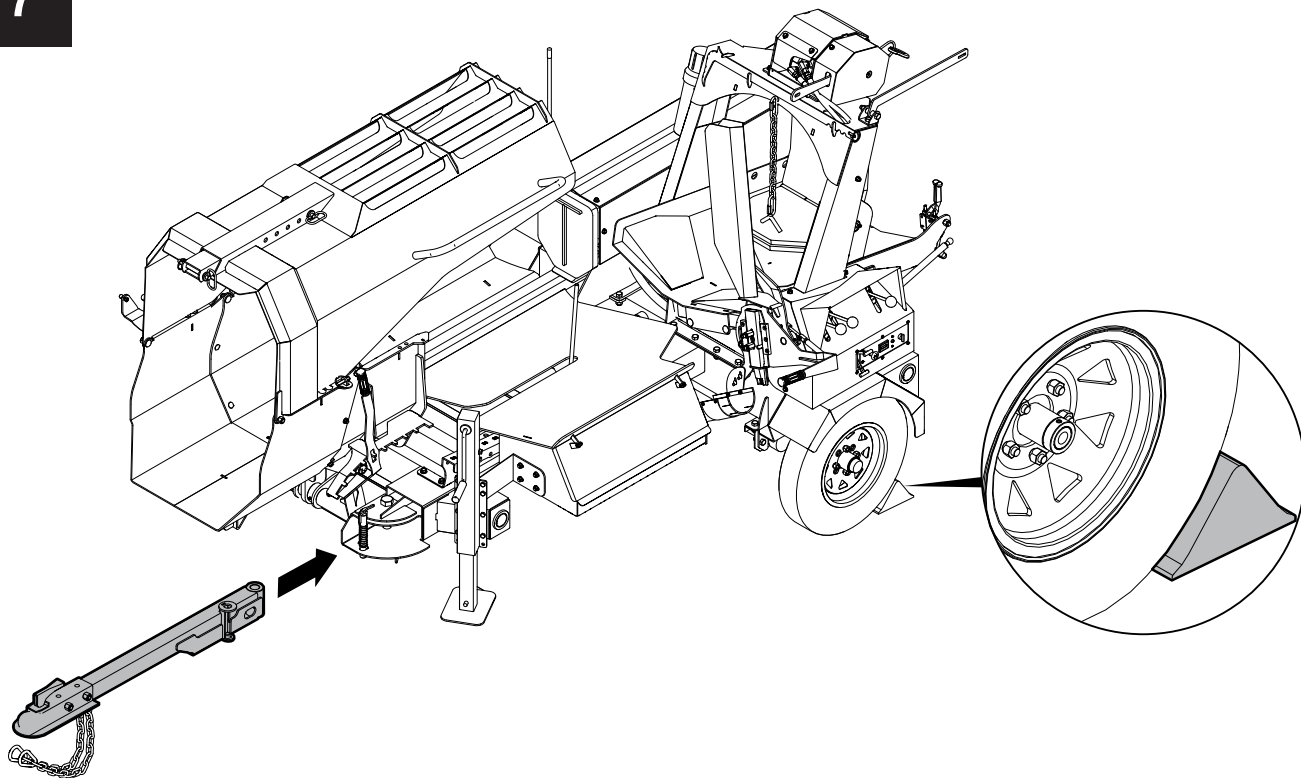
6

	
lbf·ft	80
N·m	110

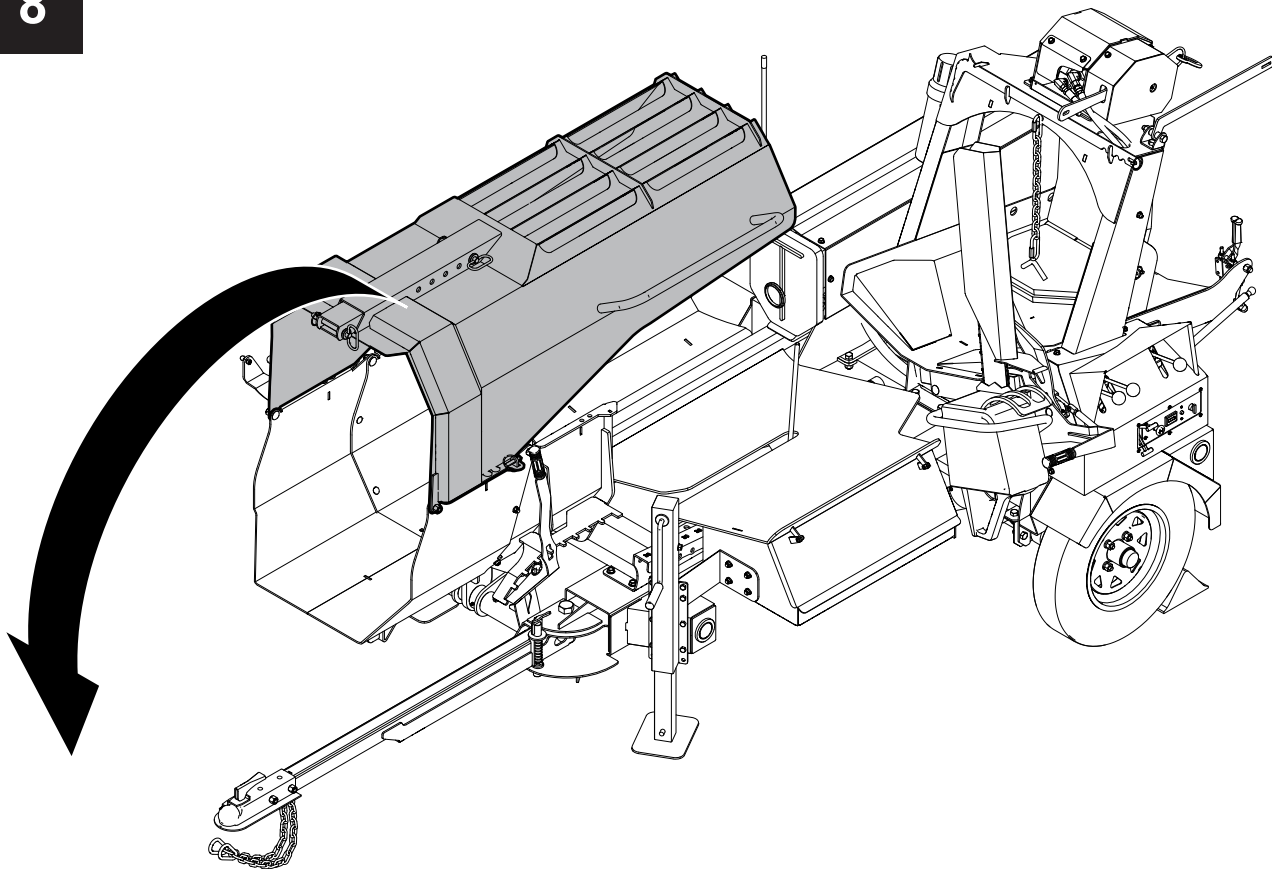


WP875

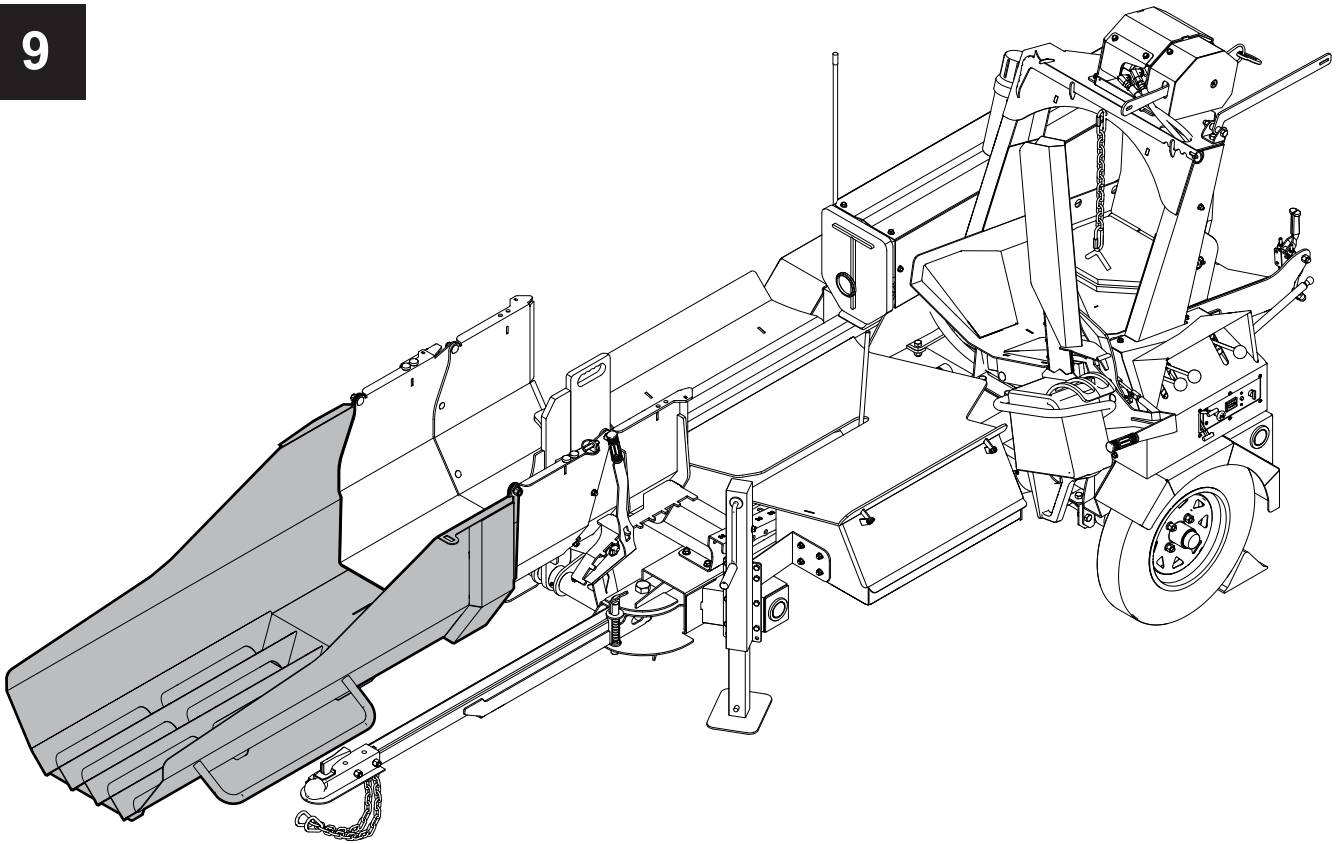
7



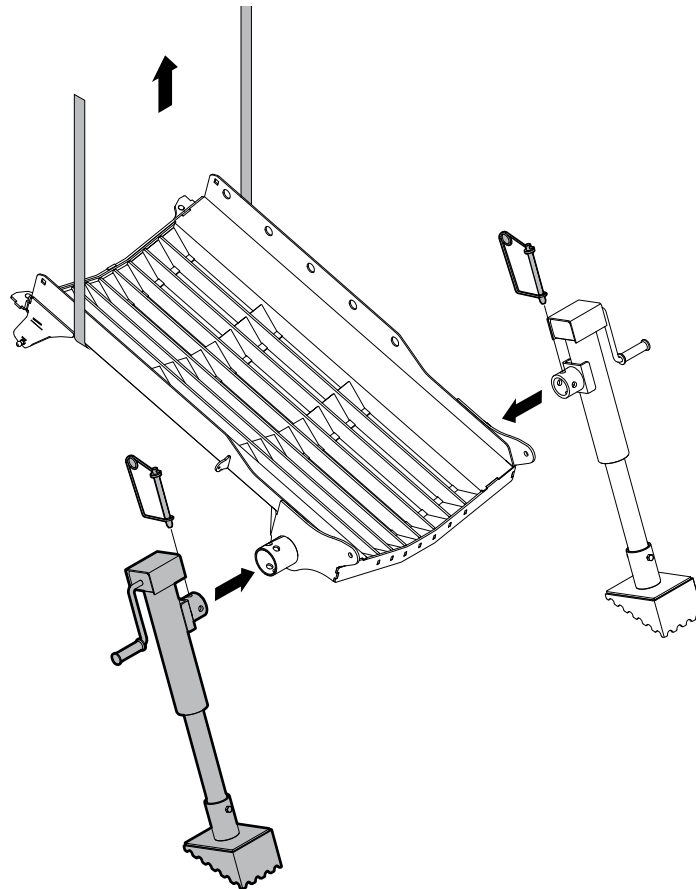
8



9

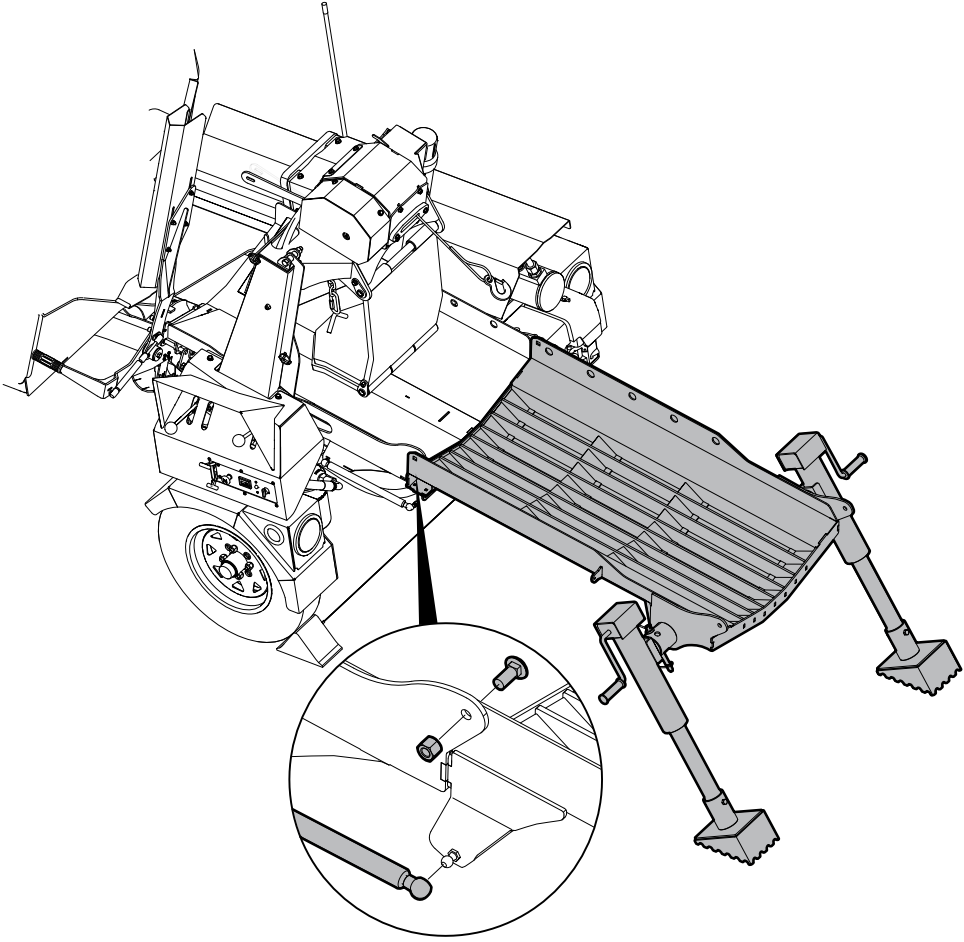


10

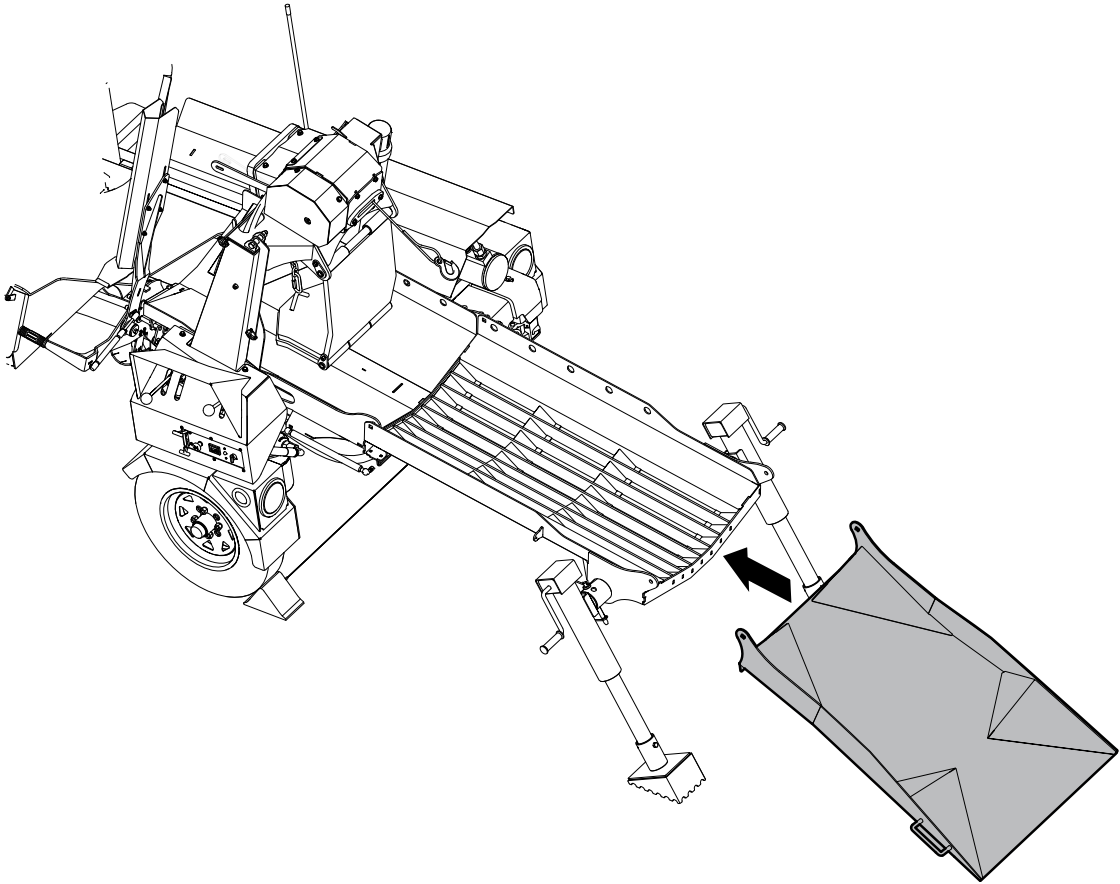


WP875

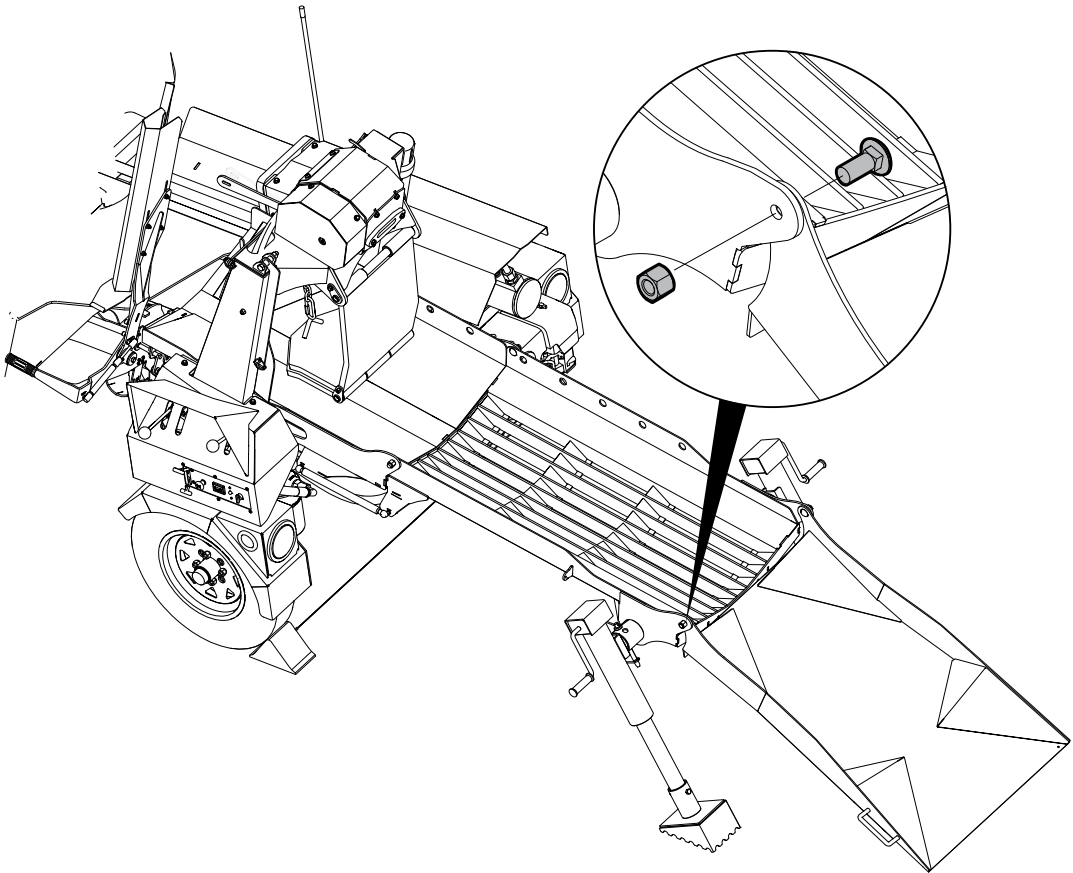
11



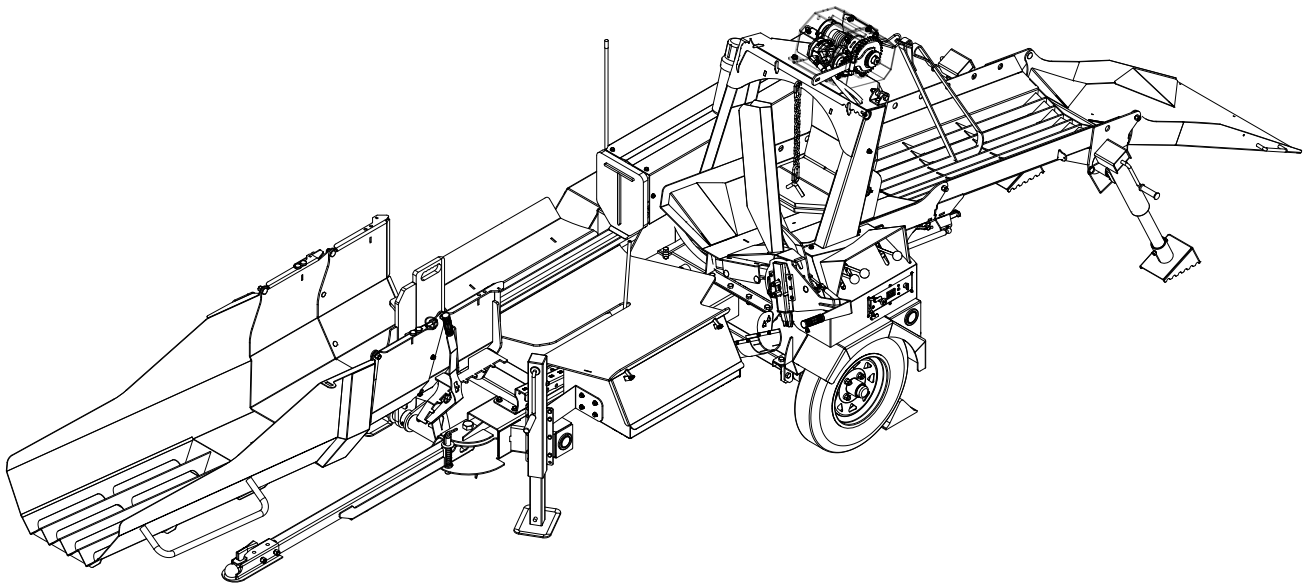
12



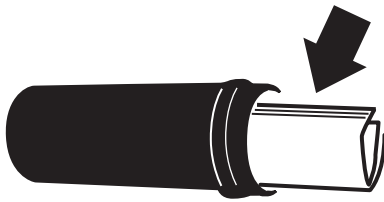
13



14



WP875



✓	Pre-delivery Inspection
Inspect for damage from shipping. Immediately contact the shipping company if damage is found.	
Wood Processor	
	Hydraulic Splitter Controls Function
	Hydraulic Cylinder Functions
	Splitter Chute Folds Up
	Wedge Height Adjuster Functions
	Loader and Lead-in Chutes Fold Up and Latch Securely
	Log Stabilizer Moves Freely
	Fasteners Tight
	Grease Zerks / Lubricate Pivot Points
	Pivot Tongue Moves Freely
	Hydraulic Connections
	Review Operating and Safety Instructions
Safety Checks	
	All Safety Decals Installed
	Guards and Shields Installed and Secured
	All Jacks Function
	Retainer Installed Through Hitch Points
	Review Operating and Safety Instructions
Hydraulic Winch	
	Check Winch Clutch Handle Control
	Check Winch Rope / Hook / Fairlead
	Check Hydraulic Function
	Review Operating and Safety Instructions
Optional Equipment	
	Chain Saw Holster: Installed securely
	6 Way Wedge: Check Height Adjuster
	Chainsaw Pivot: Check Pivot Function

Bolt Torque Specifications

Checking Bolt Torque

The tables shown give correct torque values for various bolts and capscrews. Tighten all bolts to the torque values specified in the table, unless indicated otherwise. Check tightness of bolts periodically.

IMPORTANT! If replacing hardware, use fasteners of the same grade.

IMPORTANT! Torque figures indicated in the table are for non-greased or non-oiled threads. Do not grease or oil threads unless indicated otherwise. When using a thread locker, increase torque values by 5%.

Note: Bolt grades are identified by their head markings.

Imperial Bolt Torque Specifications						
Bolt Diameter	Torque Value					
	SAE Gr. 2		SAE Gr. 5		SAE Gr. 8	
	lbf•ft	N•m	lbf•ft	N•m	lbf•ft	N•m
1/4"	6	8	9	12	12	17
5/16"	10	13	19	25	27	36
3/8"	20	27	33	45	45	63
7/16"	30	41	53	72	75	100
1/2"	45	61	80	110	115	155
9/16"	60	95	115	155	165	220
5/8"	95	128	160	215	220	305
3/4"	165	225	290	390	400	540
7/8"	170	230	420	570	650	880
1"	225	345	630	850	970	1320



SAE Gr. 2



SAE Gr. 5



SAE Gr. 8

Metric Bolt Torque Specifications				
Bolt Diameter	Torque Value			
	Gr. 8.8		Gr. 10.9	
	lbf•ft	N•m	lbf•ft	N•m
M3	0.4	0.5	1.3	1.8
M4	2.2	3	3.3	4.5
M6	7	10	11	15
M8	18	25	26	35
M10	37	50	52	70
M12	66	90	92	125
M16	166	225	229	310
M20	321	435	450	610
M30	1,103	1 495	1,550	2 100
M36	1,917	2 600	2,700	3 675



8.8



10.9

Hydraulic Fitting Torque

1. Check flare and flare seat for defects that might cause leakage.
2. Align tube with fitting before tightening.
3. Hand-tighten swivel nut until snug.
4. To prevent twisting the tube, use two wrenches. Place one wrench on the connector body and tighten the swivel nut with the second. Torque to values shown.

If a torque wrench is not available, use the FFFT (Flats From Finger Tight) method.

Hydraulic Fitting Torque					
Tube Size OD	Hex Size Across Flats	Torque value		Flats From Finger Tight	
		lbf·ft	N·m	Flats	Turns
Inches	Inches				
3/16	7/16	6	8	2	1/6
1/4	9/16	11–12	15–17	2	1/6
5/16	5/8	14–16	19–22	2	1/6
3/8	11/16	20–22	27–30	1-1/4	1/6
1/2	7/8	44–48	59–65	1	1/6
5/8	1	50–58	68–79	1	1/6
3/4	1-1/4	79–88	107–119	1	1/8
1	1-5/8	117–125	158–170	1	1/8

