



FX120 Skidding Winch Parts Manual

S/N 5120140 & After



Foreword

EMB Mfg. has prepared this parts manual to assist customers in ordering quality OEM replacement parts.

Proper and regular service and replacing old, worn or broken parts with the correct Wallenstein parts are essential to prolonging the life of your Wallenstein product. Please refer to this manual before ordering any replacement parts.

All information contained in this parts manual is based on the latest product specification available at the time of printing this manual. If your product differs from the specifications contained within this manual contact EMB Mfg. for information.

EMB reserves the right to alter specifications on their products at any time.

Reproduction of this parts manual of any kind is prohibited without prior written permission from EMB Mfg.

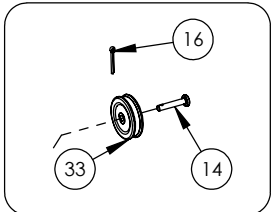
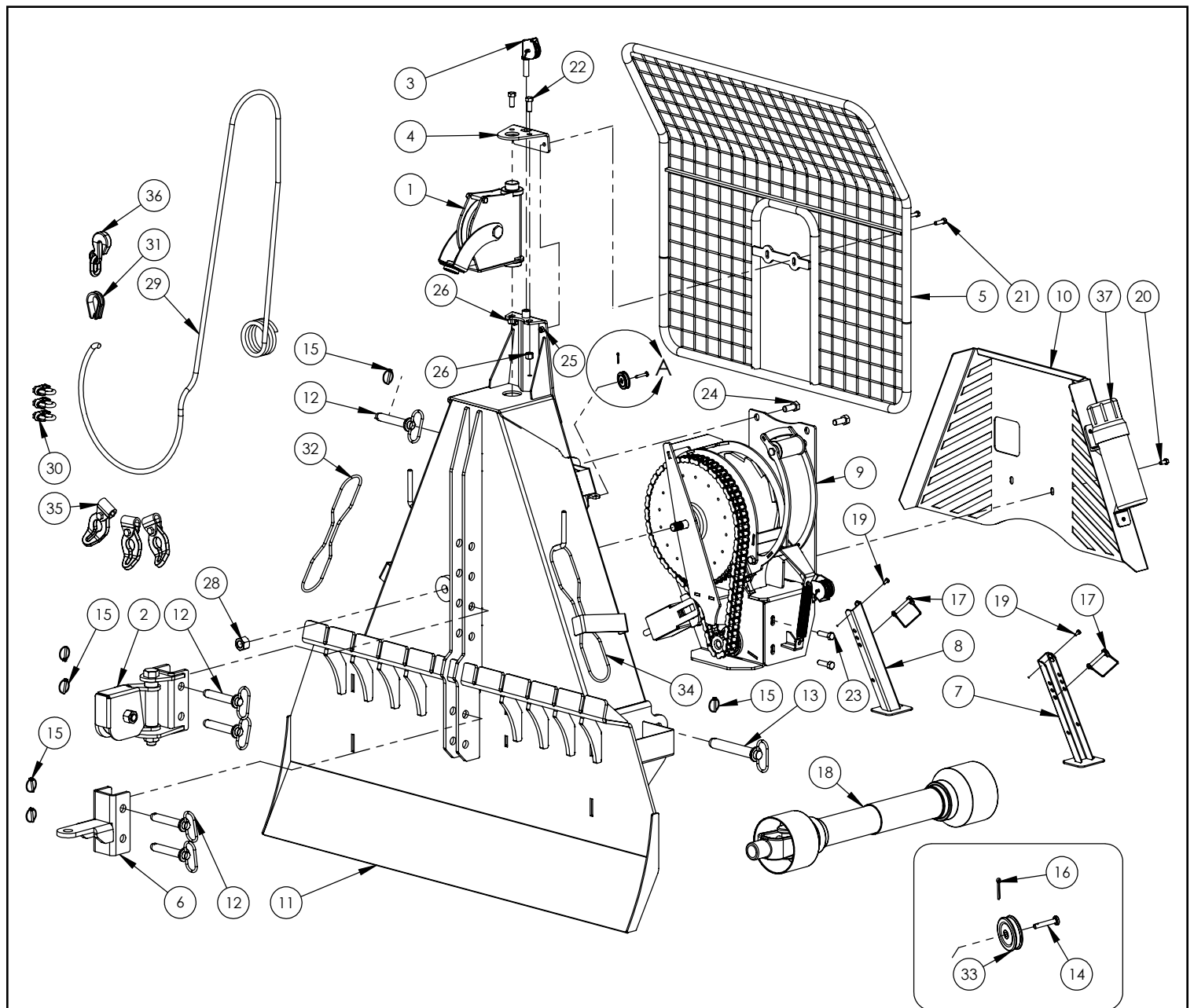
Note: Products with factory installed light kits will have a VIN number included. The last six numbers of this VIN number are the splitters serial number

Example: 2E9US1112BSXXXXXX

Table of Contents

Main Parts	5
Top Cable Pulley	6
Lower Snatch Block	7
Drum Assembly	7
Sprocket Assembly	8
Cable Drum	9
PTO Shaft	10
Decal Breakdown	12

This Page is Intentionally Blank

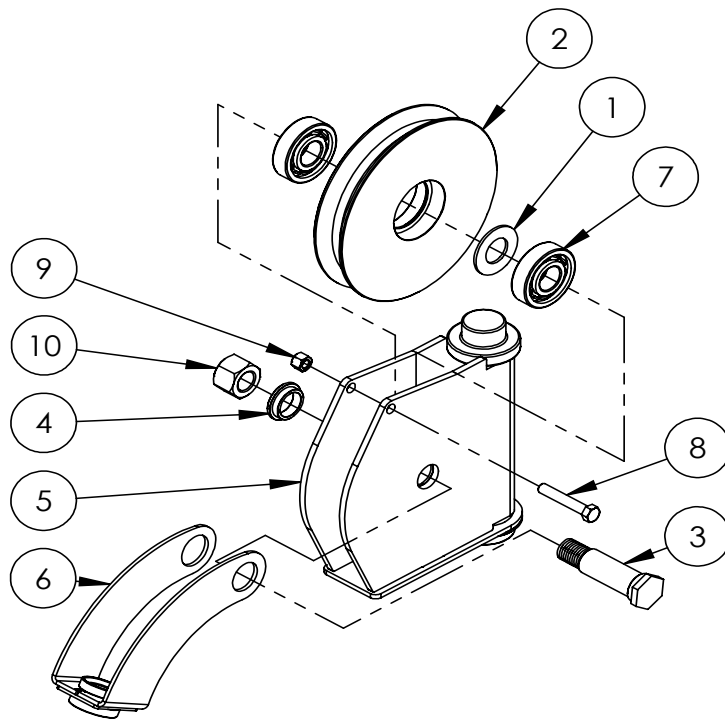


DETAIL A
SCALE 1 : 8

FX120 MAIN ASSEMBLY PARTS BREAKDOWN

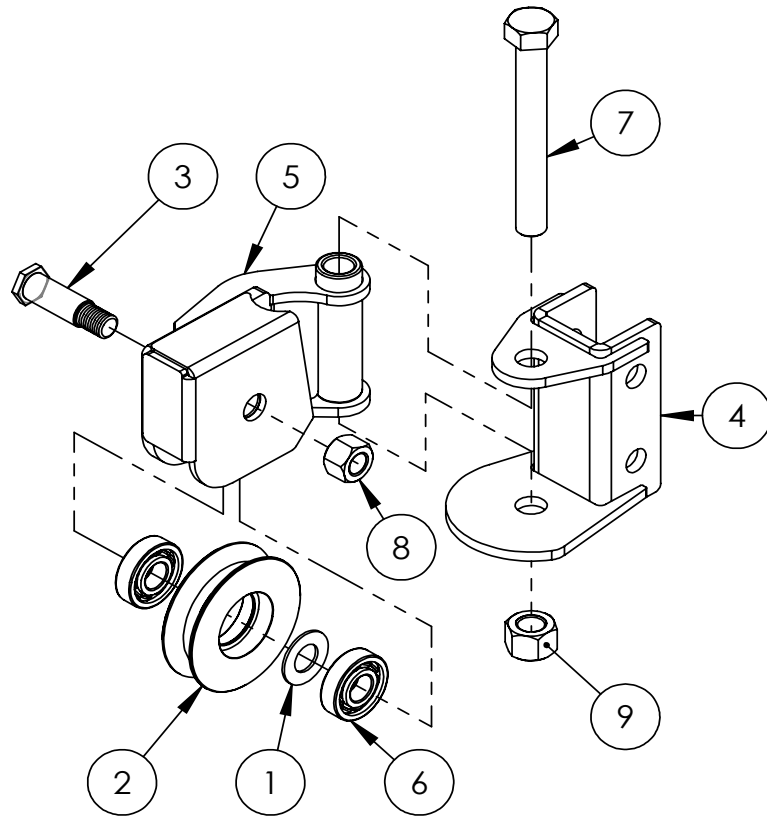
ITEM	PART NO.	DESCRIPTION	QTY
1	5012A205	Top Cable Pulley Assembly	1
2	5012A206	Lower Snatch Block	1
3	5012A207	Clutch Rope Pulley	1
4	5012L285	Top Pulley Capture Bracket	1
5	5012W214	Safety Screen	1
6	5012W216	Hitch	1
7	5012W217	Support Leg, RH	1
8	5012W218	Support Leg, LH	1
9	5013A301	Cable Drum Assembly	1
10	5013L384	Lower Protective Shield	1
11	5013W301	Main Frame	1
12	Z11251	Hitch Pin 7/8 x 4-1/4	5
13	Z11271	Hitch Pin 1 x 6-1/4	2
14	Z11311	Clevis Pin 1/4 x 1-1/8	1
15	Z12110	Latch Pin 3/16	7
16	Z12311	Cotter Pin 1/8 X 1	1
17	Z12432	Snapper Pin 3/8 x 2-1/2	2
18	Z44402	#4 Global PTO Shaft M8 Shear	1
19	Z71105	Hex Bolt 1/4NC x 1/2	2
20	Z71307	Hex Bolt 3/8NC x 3/4	2

ITEM	PART NO.	DESCRIPTION	QTY
21	Z71312	Hex Bolt 3/8NC x 1-1/4	2
22	Z71512	Hex Bolt 1/2NC x 1-1/4	2
23	Z71517	Hex Bolt, 1/2NC x 1-3/4	2
24	Z71615	Hex Bolt 5/8NC x 1-1/2	2
25	Z72231	Hex Lock Nut 3/8NC	2
26	Z72251	Hex Lock Nut 1/2NC	4
27	Z72261	Hex Lock Nut 5/8NC	2
28	Z72281	Hex Lock Nut 7/8NC	1
29	Z92102	Winch Cable, 1/2" x 165 feet	1
30	Z92104	Cable clamp 1/2	3
31	Z92105	Thimble, Cable Protector	1
32	Z92202	Drum Brake Rope	1
33	Z92203	1/4 Groove Pulley 2 Diam.	1
34	Z92205	Drum Brake Rope 18'	1
35	Z92301	Keyhole Slider	3
36	Z92302	Grab Hook	1
37	Z96503	Manual Tube 3-1/2 Short	1



TOP CABLE PULLEY ASSEMBLY

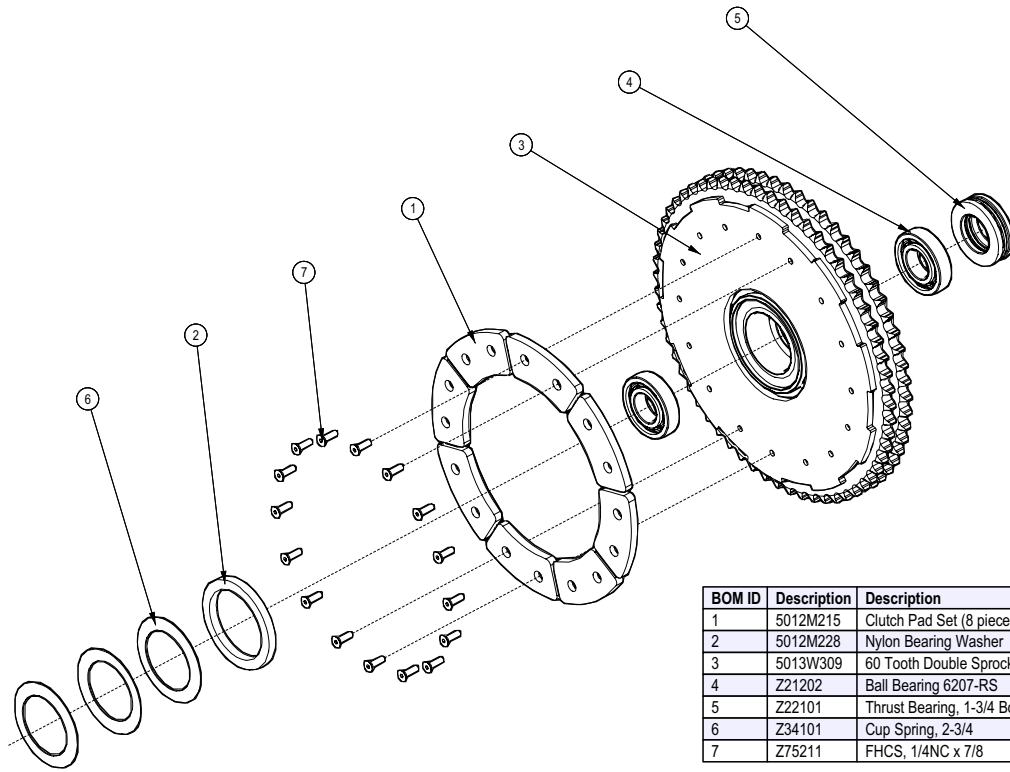
ITEM	PART NO.	DESCRIPTION	QTY
1	5012L264	Washer, Bearing Spacer	1
2	5012M220	Top Cable Pulley	1
3	5012M221	Top Pulley Pin	1
4	5012M222	Cable Guide Swing Bushing	1
5	5012W210	Top Pulley Housing	1
6	5012W211	Cable Guide	1
7	Z21201	Ball Bearing 6305 RS	2
8	Z71322	Hex Bolt, 3/8NC x 2-1/4	1
9	Z72231	Hex Lock Nut 3/8NC	1
10	Z72281	Hex Lock Nut 7/8NC	1



LOWER SNATCH BLOCK ASSEMBLY

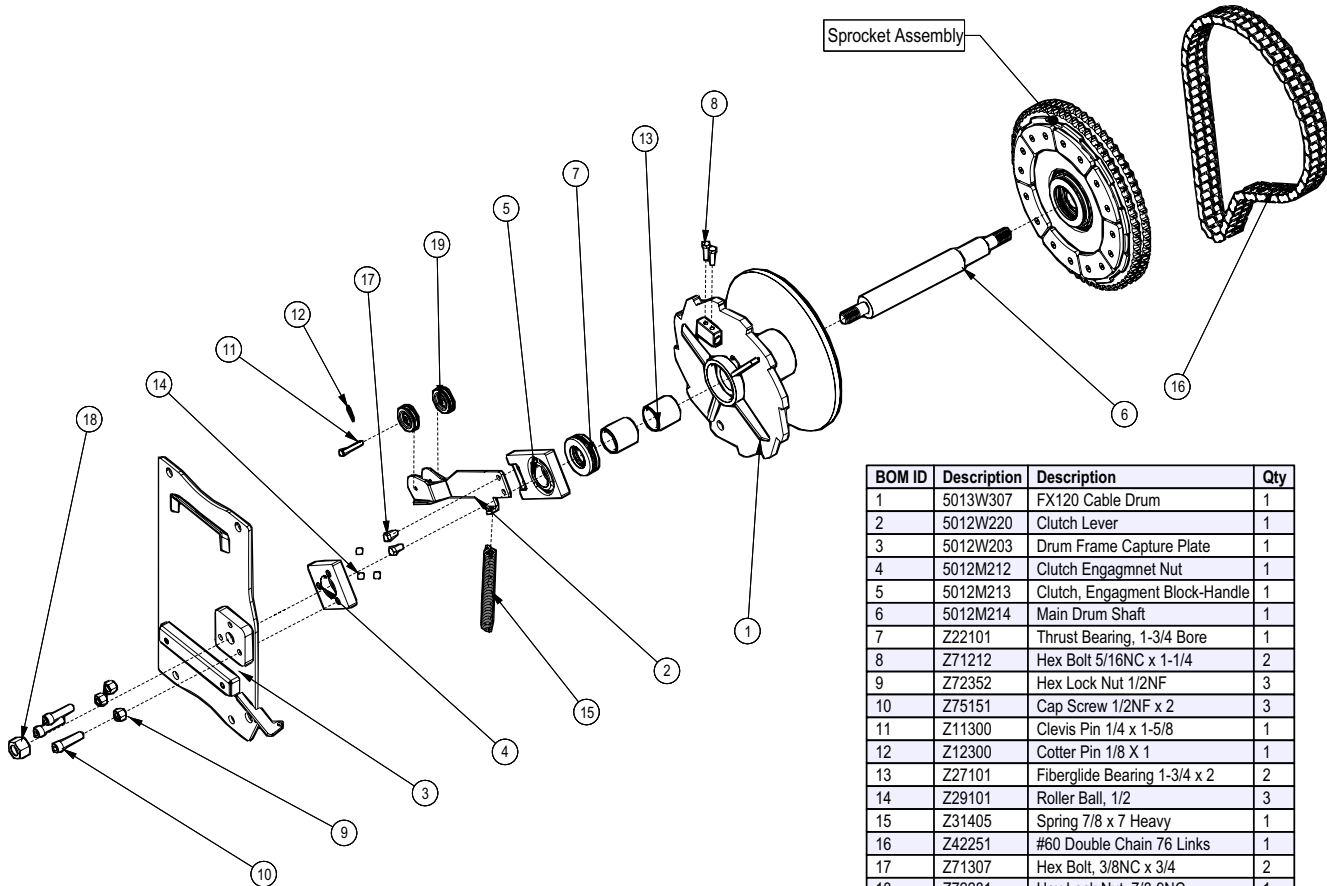
ITEM	PART NO.	DESCRIPTION	QTY
1	5012L264	Washer, Bearing Spacer	1
2	5012M223	Snatch Block Pulley	1
3	5012M224	Snatch Block Pulley Pin	1
4	5012W212	Snatchblock Base	1
5	5012W213	Snatchblock Swivel Housing	1
6	Z21201	Ball Bearing 6305 RS	2
7	Z71915	Hex Bolt 1NC x 8	1
8	Z72281	Hex Lock Nut 7/8NC	1
9	Z72291	Hex Lock Nut 1NC	1

Sprocket Assembly



BOM ID	Description	Description	Qty
1	5012M215	Clutch Pad Set (8 pieces)	1
2	5012M228	Nylon Bearing Washer	1
3	5013W309	60 Tooth Double Sprocket	1
4	Z21202	Ball Bearing 6207-RS	2
5	Z22101	Thrust Bearing, 1-3/4 Bore	1
6	Z34101	Cup Spring, 2-3/4	3
7	Z75211	FHCS, 1/4NC x 7/8	16

Drum Assembly

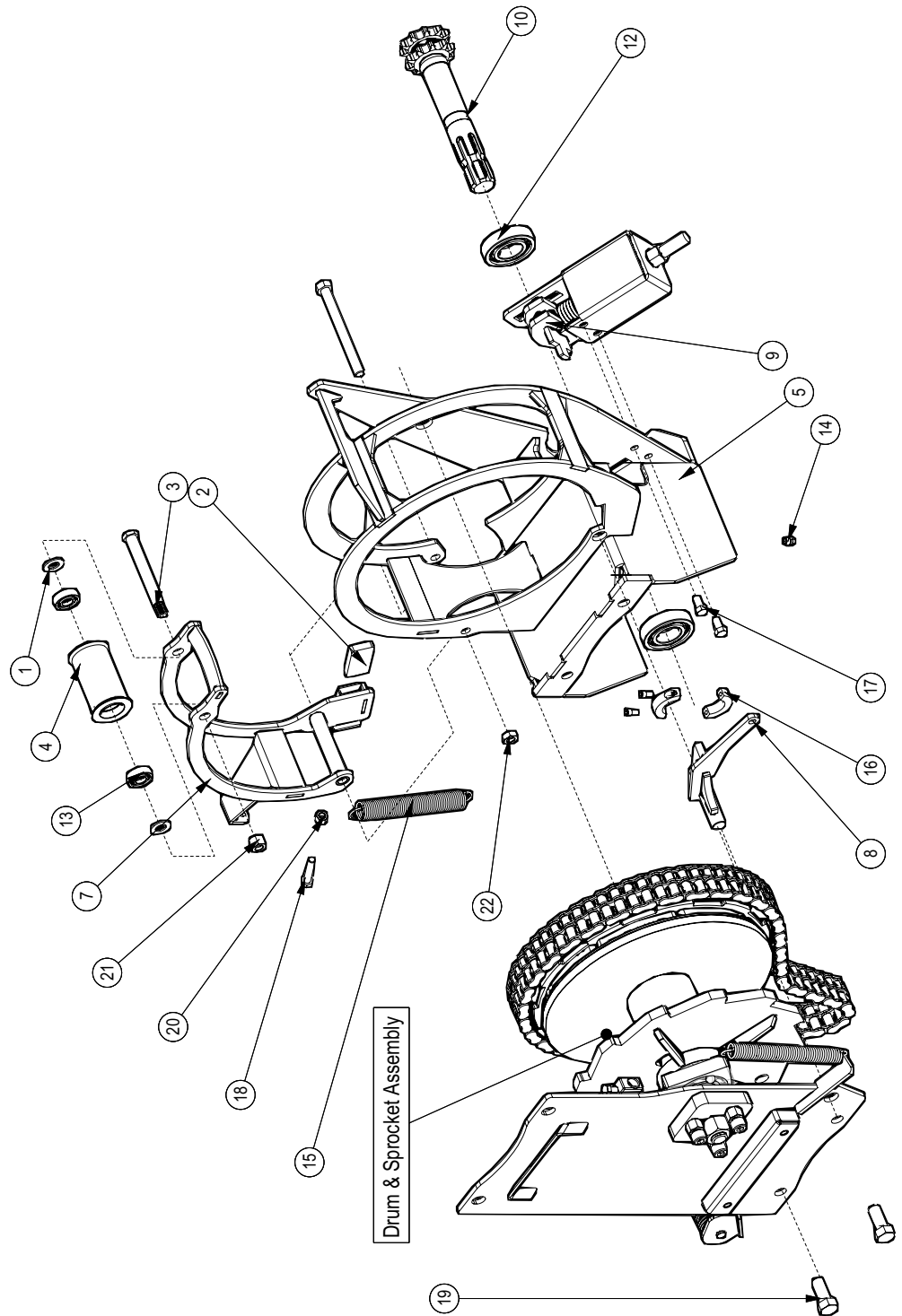


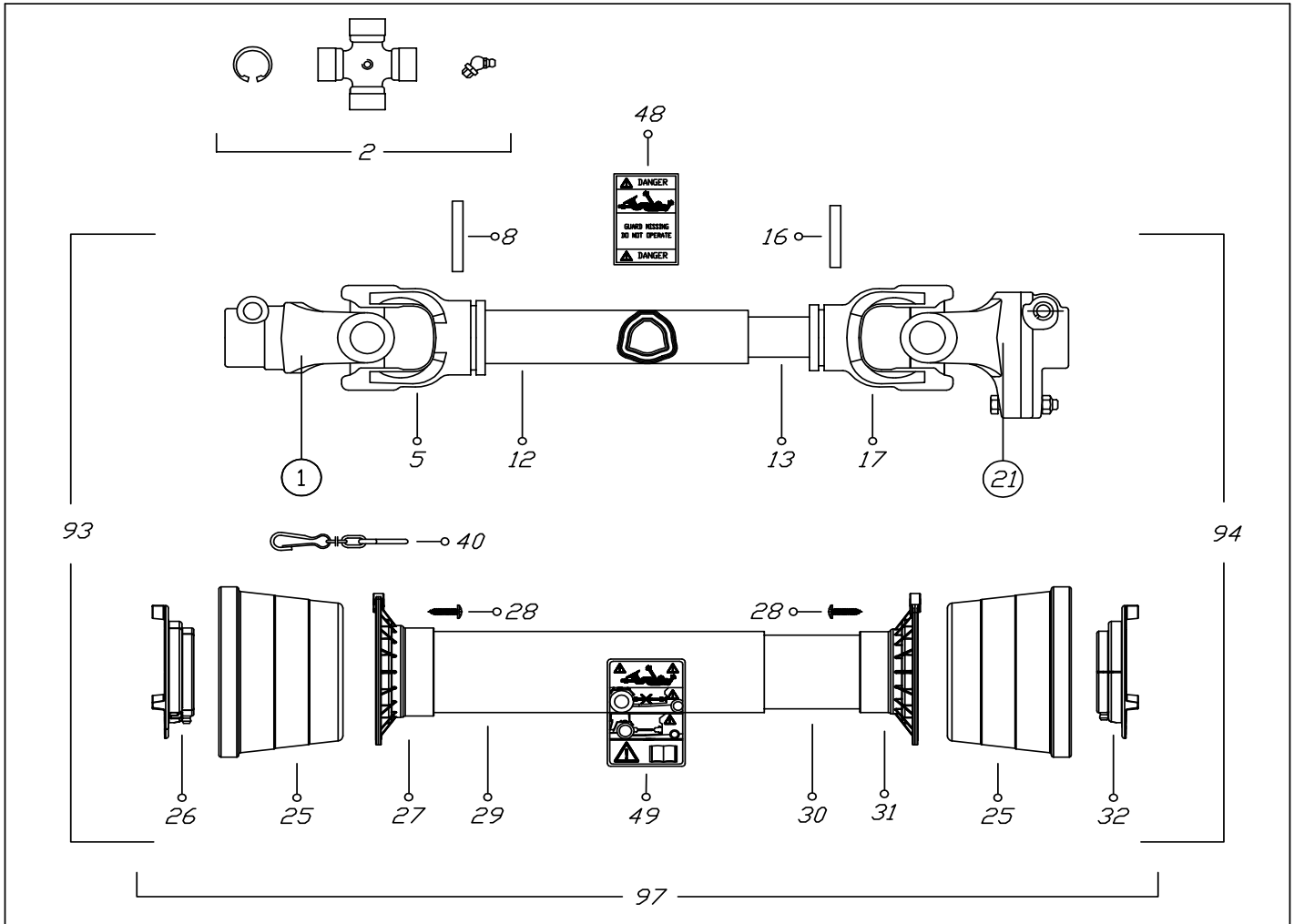
BOM ID	Description	Description	Qty
1	5013W307	FX120 Cable Drum	1
2	5012W220	Clutch Lever	1
3	5012W203	Drum Frame Capture Plate	1
4	5012M212	Clutch Engagmnet Nut	1
5	5012M213	Clutch, Engagment Block-Handle	1
6	5012M214	Main Drum Shaft	1
7	Z22101	Thrust Bearing, 1-3/4 Bore	1
8	Z71212	Hex Bolt 5/16NC x 1-1/4	2
9	Z72352	Hex Lock Nut 1/2NF	3
10	Z75151	Cap Screw 1/2NF x 2	3
11	Z11300	Clevis Pin 1/4 x 1-5/8	1
12	Z12300	Cotter Pin 1/8 X 1	1
13	Z27101	Fiberglide Bearing 1-3/4 x 2	2
14	Z29101	Roller Ball, 1/2	3
15	Z31405	Spring 7/8 x 7 Heavy	1
16	Z42251	#60 Double Chain 76 Links	1
17	Z71307	Hex Bolt, 3/8NC x 3/4	2
18	Z72281	Hex Lock Nut, 7/8-9NC	1
19	Z92203	1/4 Groove Pulley 2 Diam.	2

BOM ID	Description	Description	Qty
17	Z71307	Hex Bolt, 3/8NC x 3/4	2
18	Z71320	Hex Bolt 3/8NC x 2	1
19	Z71615	Hex Bolt 5/8NC x 1-1/2	2
20	Z72231	Hex Lock Nut 3/8NC	1
21	Z72251	Hex Lock Nut 1/2NC	1
22	Z72351	Jam Nut, 1/2NC	1

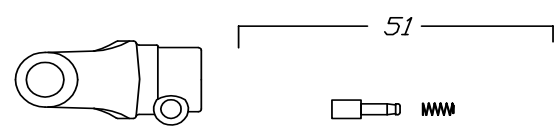
BOM ID	Description	Description	Qty
9	5013A303	Double Auto Chain Tightener	1
10	5013W308	PTO Spline Shaft w/ Sprocket	1
12	Z21202	Radial Ball Bearing, 68 SKF	1
13	Z21203	Ball Bearing 6202 RS	2
14	Z29201	Grease Fitting, 1/8NPT	1
15	Z31403	Spring 25mm x 178mm x 0.105	1
16	Z46311	Clamp-on Shaft Collar	1

BOM ID	Description	Description	Qty
1	5012L252	Washer, Spacer	2
2	5012M204	Block, Drum Brake	1
3	5012M205	Cable Roller Pin	1
4	5012M206	Brake Arm Cable Roller	1
5	5012W202	Drum Frame Base	1
7	5012W204	Drum Brake Arm	1
8	5012W206	Lock Dog	1

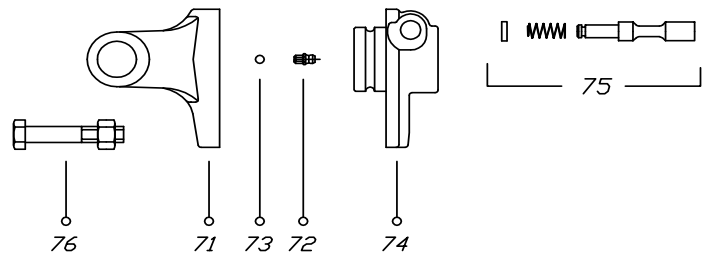




①



②①



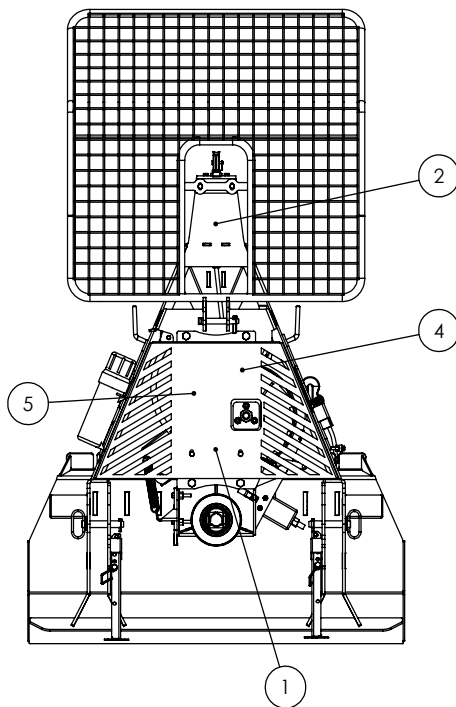
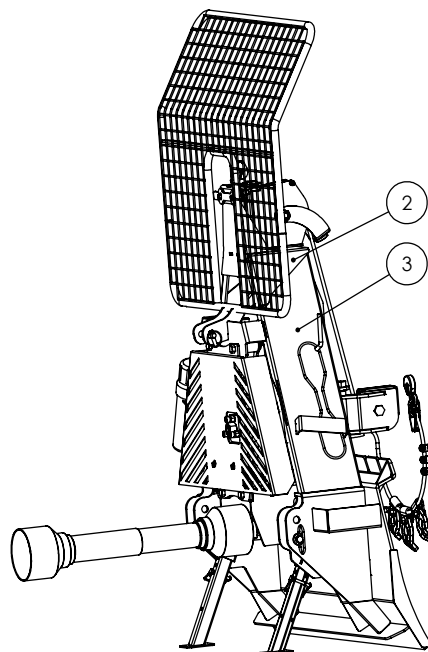
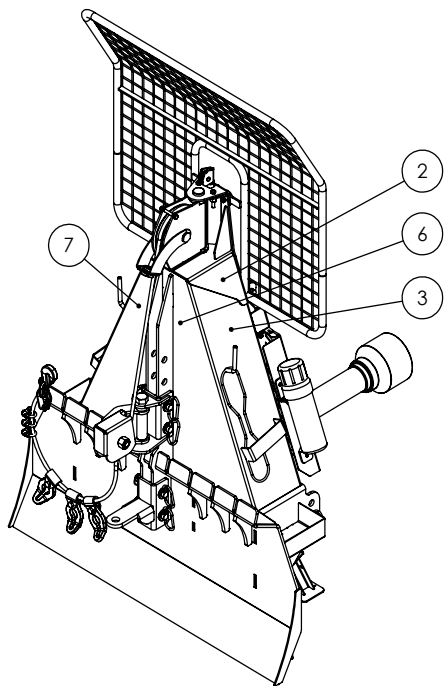
<p>VIETATE LE RIPRODUZIONI NON AUTORIZZATE NOT PERMITTED AL RIGHTS RESERVED</p>	<p>TOUTE REPRODUCTION NON AUTORISEE EST INTERDITE NICHT GENEHMIGTE VERVIELFAELTUNGEN SIND UNZULAESSIG</p>	<p>CODICE C.E.D. B4N061USA60098</p>	<p>DATA 25/03/10</p>
---	---	---	--------------------------

Binacchi SPARE PARTS LIST : B4N061USA60098

POS.	DESCRIPTION	Q.	Part #
01	YOKE	1	0800403
02	CROSS JOURNAL ASS.	2	08204
05	OUTER TUBE YOKE	1	08004021
08	FLEXIBLE PIN	1	098700860
12	CM. 100 CARDAN TUBE(*)	1	09881433100
13	CM. 100 CARDAN TUBE(*)	1	09881364100
16	FLEXIBLE PIN	1	098700855
17	INNER TUBE YOKE	1	08004011
21	SHEAR BOLT	1	08804
25	CONE SHIELD BELL 03-04	2	021904C001
26	OUTER BEARING 03-04	1	025504C001
27	OUTER BASE CONE 03-04	1	025404C001
28	SCREW	6	0998052242
29	OUTER SAFETY TUBE	1	0988966NB4061
30	INNER SAFETY TUBE	1	0988961NB4061
31	INNER BASE CONE 03-04	1	025404C002
32	INNER BEARING 03-04	1	025504C002
40	CHAIN	1	0252000001
48	LABEL DANGER OUTER DRIVE TUBE	1	09872006
49	EXTERNAL SHIELD LABEL	1	09872003
51	COMPLETE PUSH BUTTTON	1	0986014047
71	YOKE FOR LB4	1	08896904
72	GREASE NIPPLE	1	0984010150
73	STEEL BALL	23	098680104
74	HUB	1	088964
75	PUSH PIN SET	1	0986014075
76	NUT AND BOLT M8 x 1.25 x 45 10.9	1	Z44902
93	OUTER HALF SHAFT	1	B4N061US2
94	INNER HALF SHAFT	1	B4N061US1098
97	SAFETY GUARD	1	083US04061

FX120 SKIDDING WINCH DECAL BREAKDOWN

ITEM	PART NO.	DESCRIPTION	QTY
1	Z94042	Rotating Driveline Hazard	1
2	Z94019	Made in Canada	3
3	Z94043	Flying Object Hazard	2
4	Z94058	Clutch Adjustment	1
5	Z94041	Read Manual	1
6	Z94001	Wallenstein Skidding Winch	1
7	Z94003	FX120	1



FX120 Decals

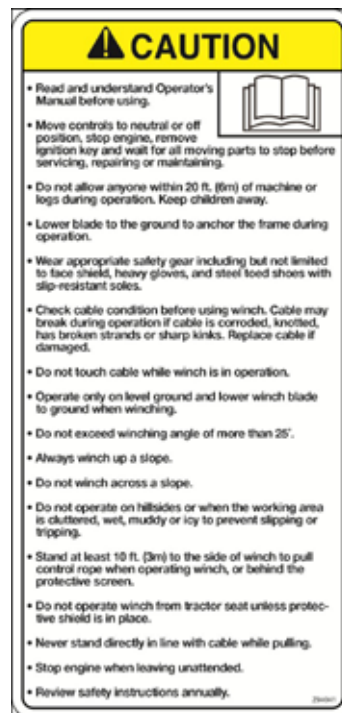
Z94042



Z94019



Z94041



Z94043



Z94058



Z94003

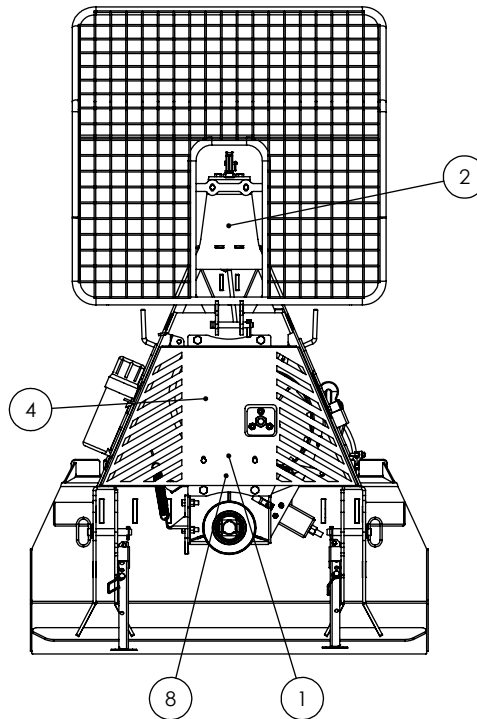
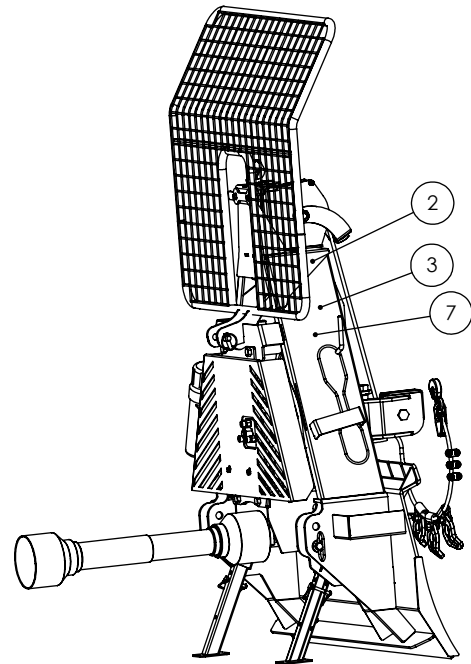
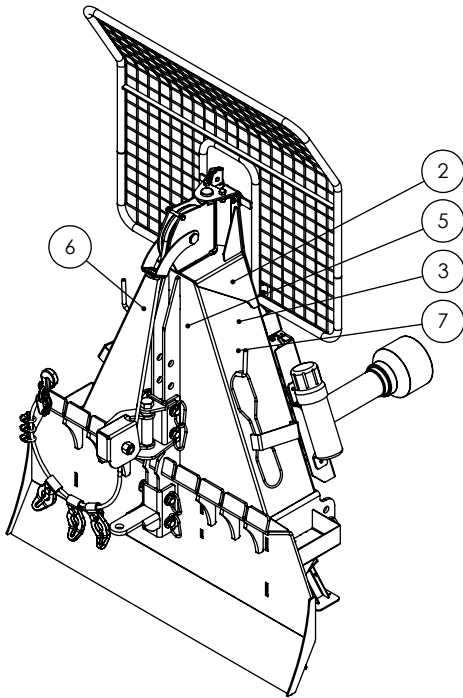


Z94001



TWO PANEL FX120 SKIDDING WINCH DECAL BREAKDOWN

ITEM	PART NO.	DESCRIPTION	QTY
1	Z94118	Rotating Driveline Hazard	1
2	Z94019	Made in Canada	3
3	Z94114	Flying Object Hazard	2
4	Z94119	Read Manual	1
5	Z94001	Wallenstein Skidding Winch	1
6	Z94003	FX120	1
7	Z94160	Winch Controls	2
8	Z94161	Max RPM	1



Two Panel FX120 Decals

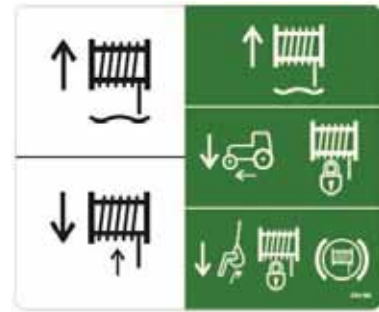
Z94161



Z94019



Z94160



Z94118



Z94119



Z94114



Z94003



Z94001





WALLENSTEIN Products Manufactured by:

EMB MFG Inc.

4144 Boomer Line
St. Clements, Ontario
Canada N0B 2M0
Phone: 1-877-695-9283
Fax: 519-699-4146
www.embmfg.com