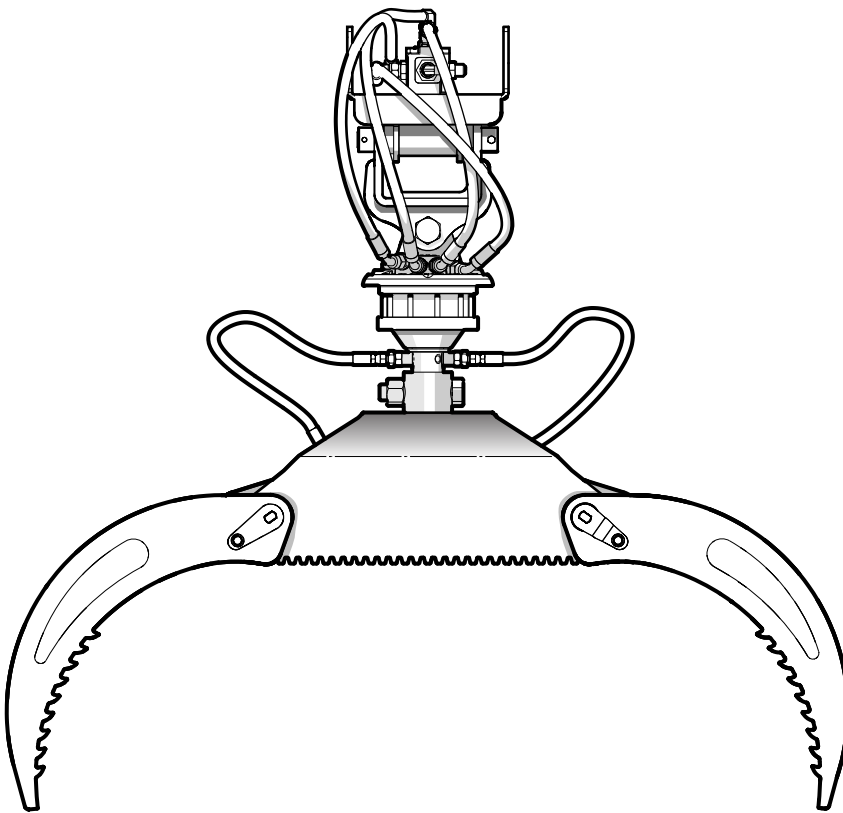


PARTS MANUAL

Serial Number 520R001 & up

LXG520R Mini Excavator Log grapple



Foreword

This Wallenstein parts manual is prepared to assist customers in ordering quality OEM replacement parts.

Regular maintenance combined with replacing old, worn or broken parts with the correct OEM parts is essential in prolonging the life of your Wallenstein product. Refer to this manual to identify replacement parts.

To order parts, contact your Wallenstein dealer or distributor. Have the product model and serial number handy.

If your dealer is no longer available, please go to WallensteinEquipment.com. At the bottom of the page, select Dealer Locator.

All information contained in this parts manual is current as per the revision date at the bottom of the page. Wallenstein reserves the right to change product specifications at any time without notice.

If your product specifications differ from those contained in this manual, contact Wallenstein for current information.

Reproduction of information in this parts manual is prohibited without prior written permission from Wallenstein Equipment Inc.

Wallenstein Equipment Inc. • © 2023

WARNING!

For safety, operation, and maintenance information, see the Operator's Manual.

Maintenance should be performed by trained personnel only.

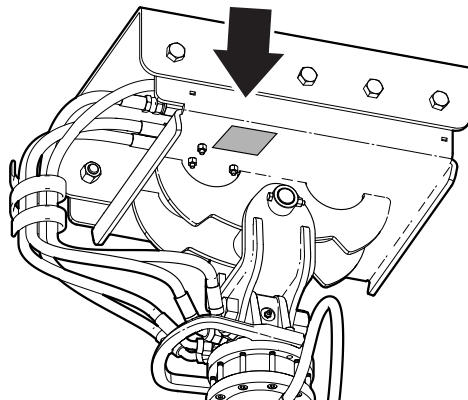
Serial Number Location

Always provide the model and serial number of your Wallenstein product when ordering parts or requesting service or other information. The serial number is on the product information plate as shown below.

Record your product information here for future reference.

Model _____

Serial Number _____



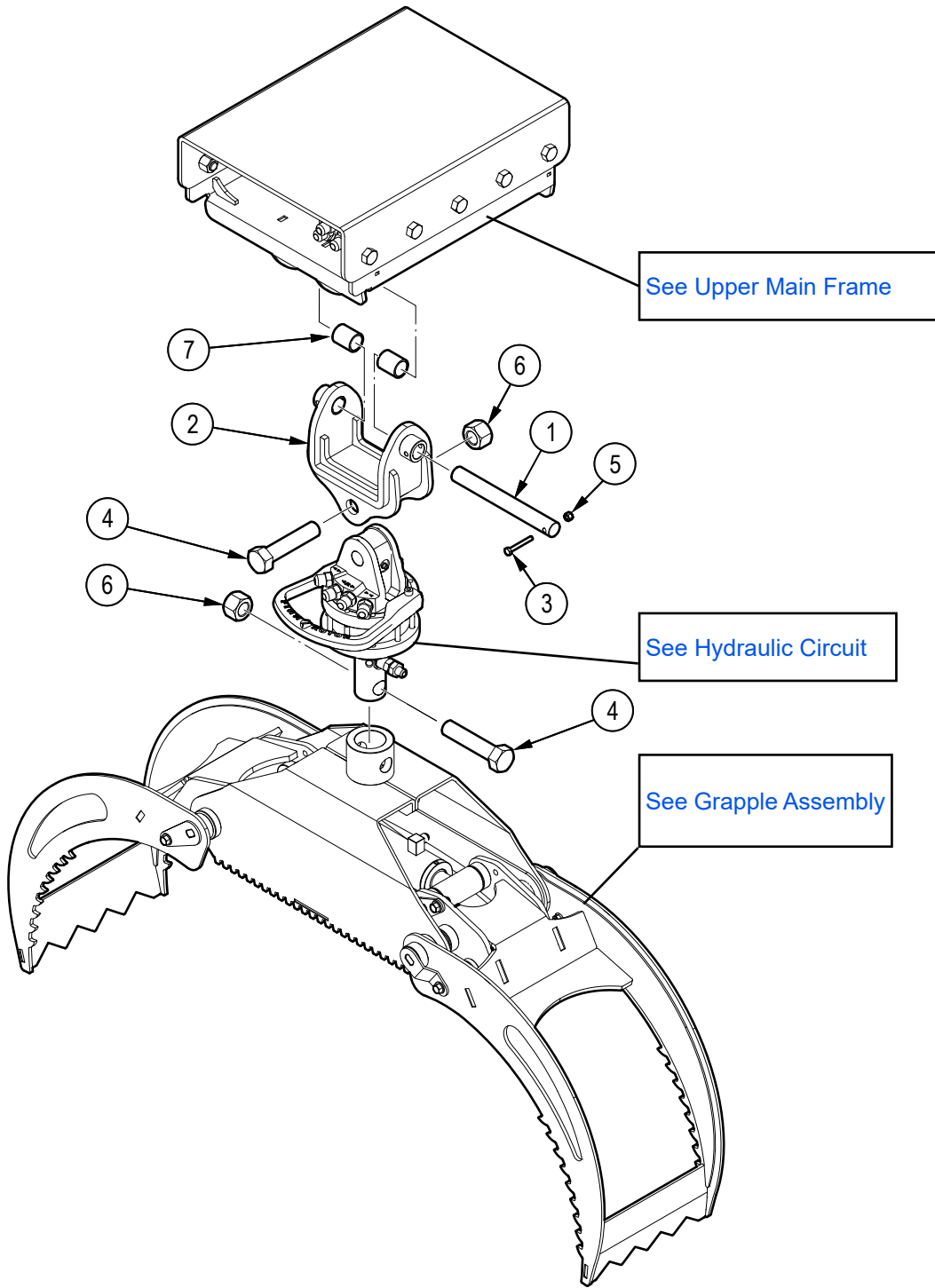
Model and Serial Number Location

www.wallensteinequipment.com

Contents

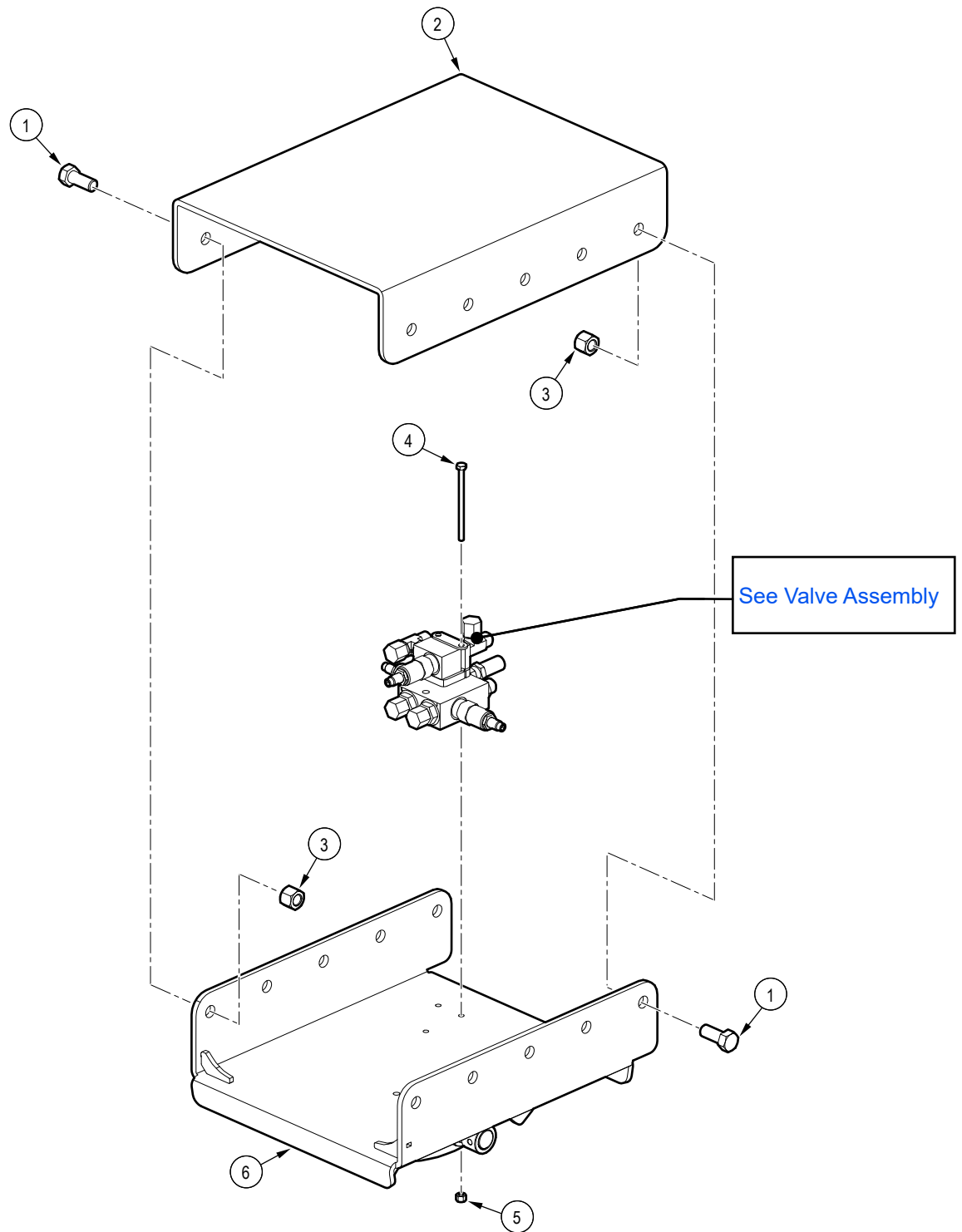
Main Parts	4
Upper Main Frame	5
Grapple Assembly	6
Outer Fork Assembly	7
Hydraulic Cylinder	8
Valve Assembly	8
Hydraulic Circuit	9
Accessory Valve Kit	10
Decal Layout	11
Accessories	13

Main Parts



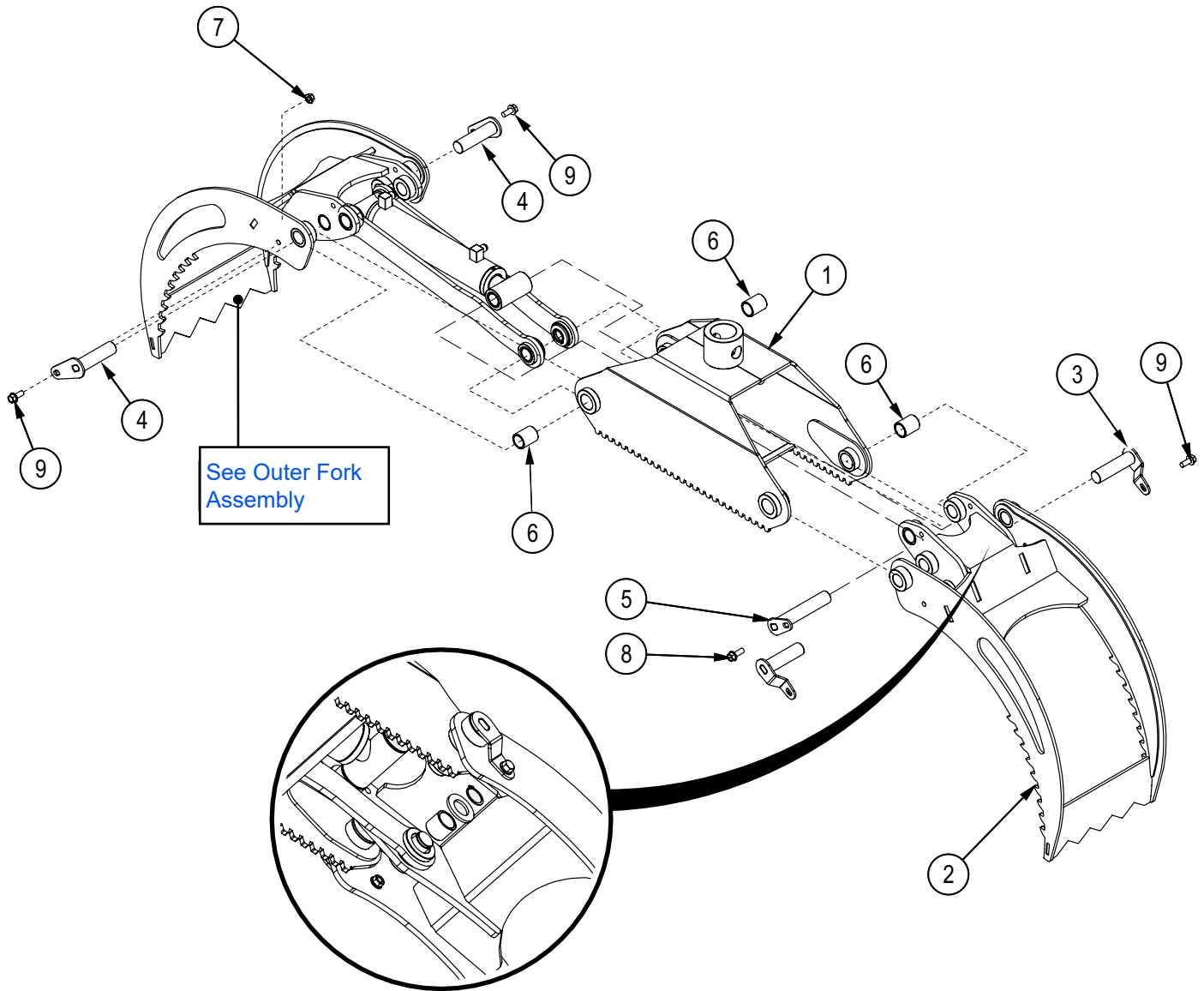
Item No.	Part No.	Description	Qty
1	6018M015	Pin, Rotator Mount	1
2	6018W007	Hanger	1
3	Z71120	Hex Bolt, 1/4NC x 2"	1
4	Z71911	Hex Bolt, 1NC x 4-1/2"	2
5	Z72211	Hex Lock Nut, 1/4NC	1
6	Z72291	Hex Lock Nut, 1NC	2
7	Z27109	Composite Bearing, 1" ID x 1-1/2" long x 1/8" Wall	2

Upper Main Frame



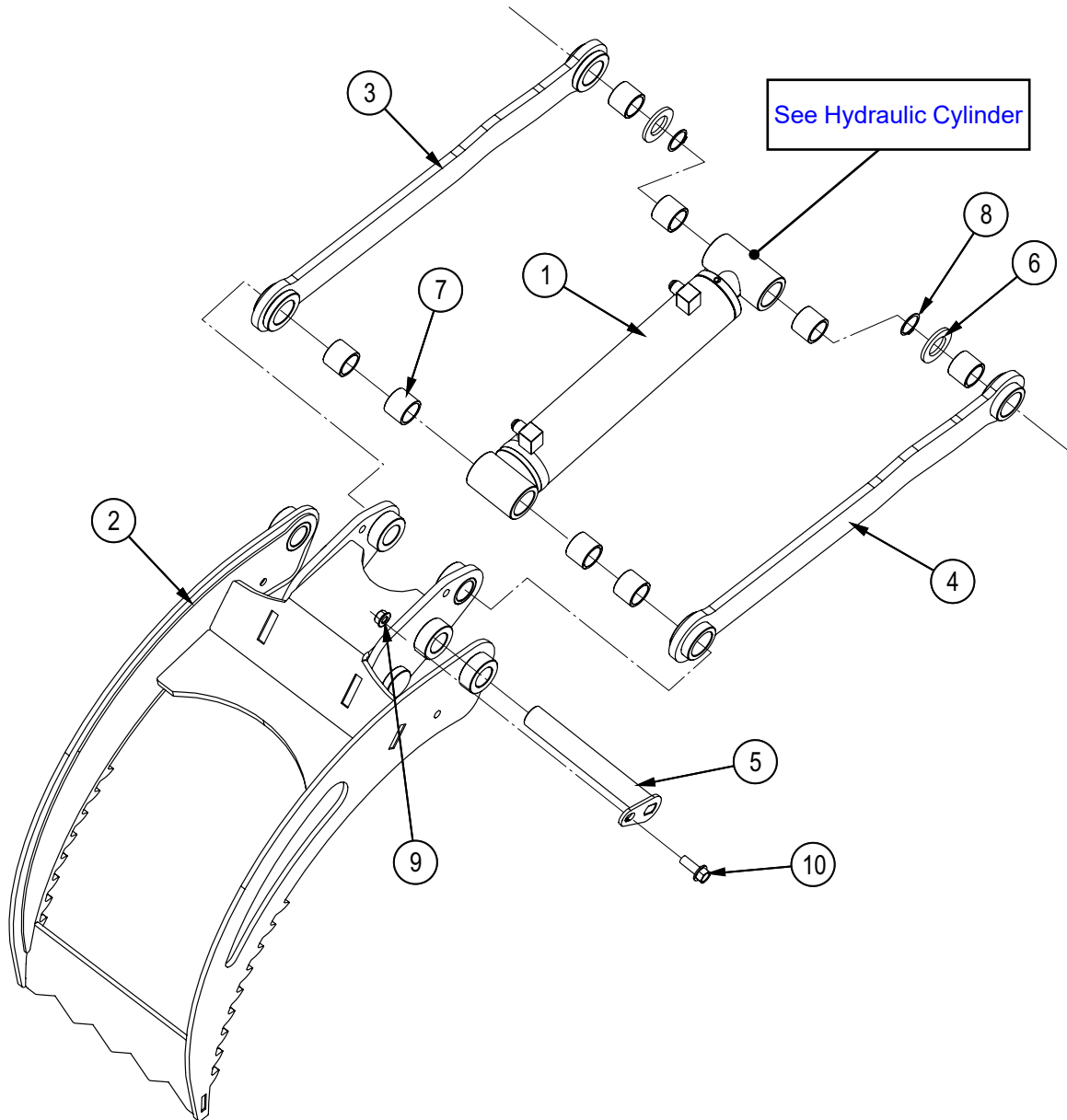
Item No.	Part No.	Description	Qty
1	Z71615	Hex Bolt, 5/8NC x 1-1/2"	10
2	6076L003	Plate, Mini-Ex Universal	1
3	Z72261	Hex Lock Nut, 5/8NC	10
4	Z71140	Hex Bolt, 1/4NC x 4"	3
5	Z72211	Hex Lock Nut, 1/4NC	3
6	6076L002	Weldment, Mainframe	1

Grapple Assembly



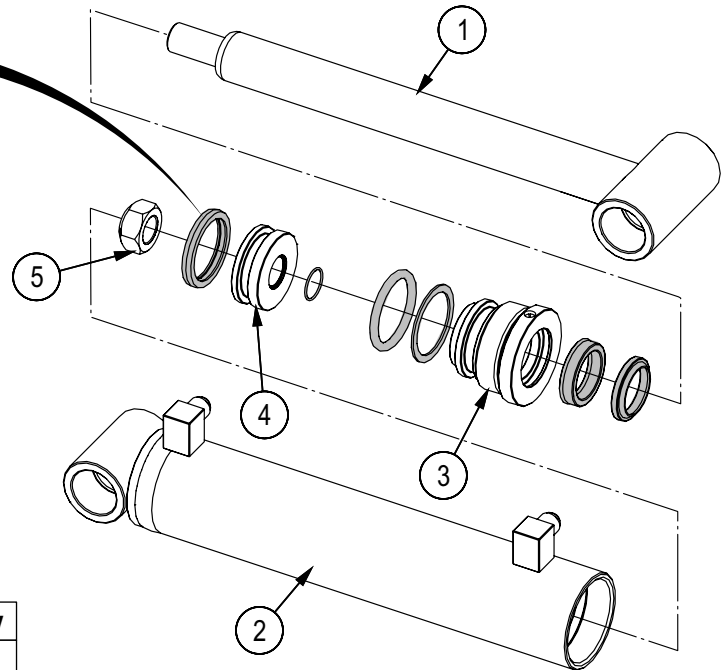
Item No.	Part No.	Description	Qty
1	6018W001	Grapple Housing	1
2	6018W012	Inner Fork	1
3	6018W008	Inner Fork Pin	2
4	6018W009	Outer Fork Pin	2
5	6018W010	Short Cylinder Pin	1
6	Z27109	Composite Bearing, 1" ID x 1-1/2" long x 1/8" Wall	4
7	Z72531	Serrated Flange Locknut, 3/8NC	5
8	Z76134	Flange Bolt, 3/8NC x 1"	1
9	Z76139	Flange Bolt, 3/8NC x 7/8"	4

Outer Fork Assembly



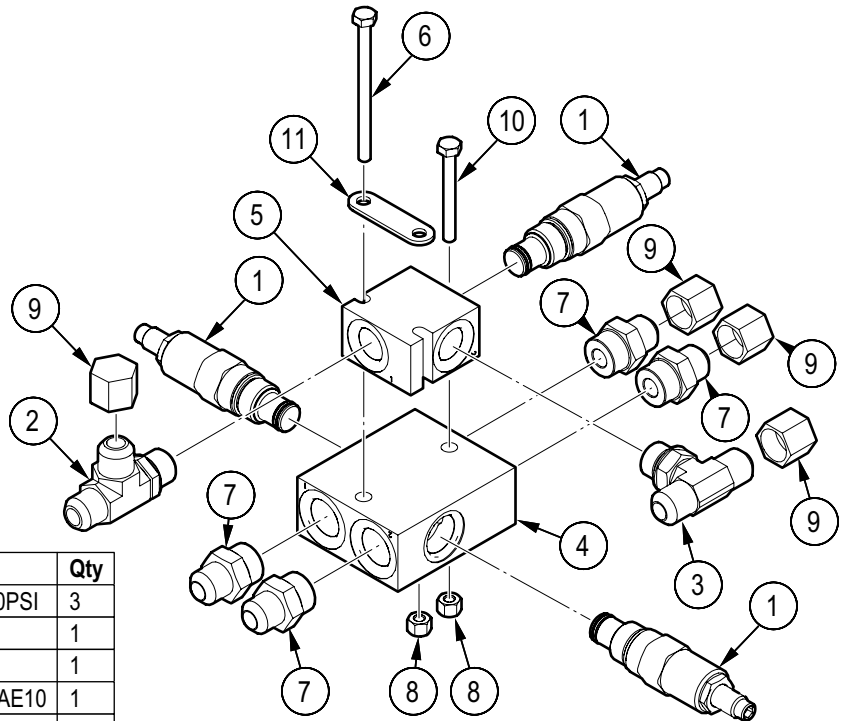
Item No.	Part No.	Description	Qty
1	6018C001	Cylinder, 2" x 1-1/4" x 8-5/8"	1
2	6018W013	Outer Fork	1
3	6018W004H	Linkage Mirror	1
4	6018W004	Linkage	1
5	6018W011	Long Cylinder Pin	1
6	6018L026	Washer, Linkage Retaining	2
7	Z27110	Composite Bearing, 1" ID x 1" long x 1/8" Wall	8
8	Z46204	External Retaining Ring, 1"	2
9	Z72531	Serrated Flange Locknut, 3/8NC	1
10	Z76134	Flange Bolt, 3/8NC x 1"	1

Hydraulic Cylinder



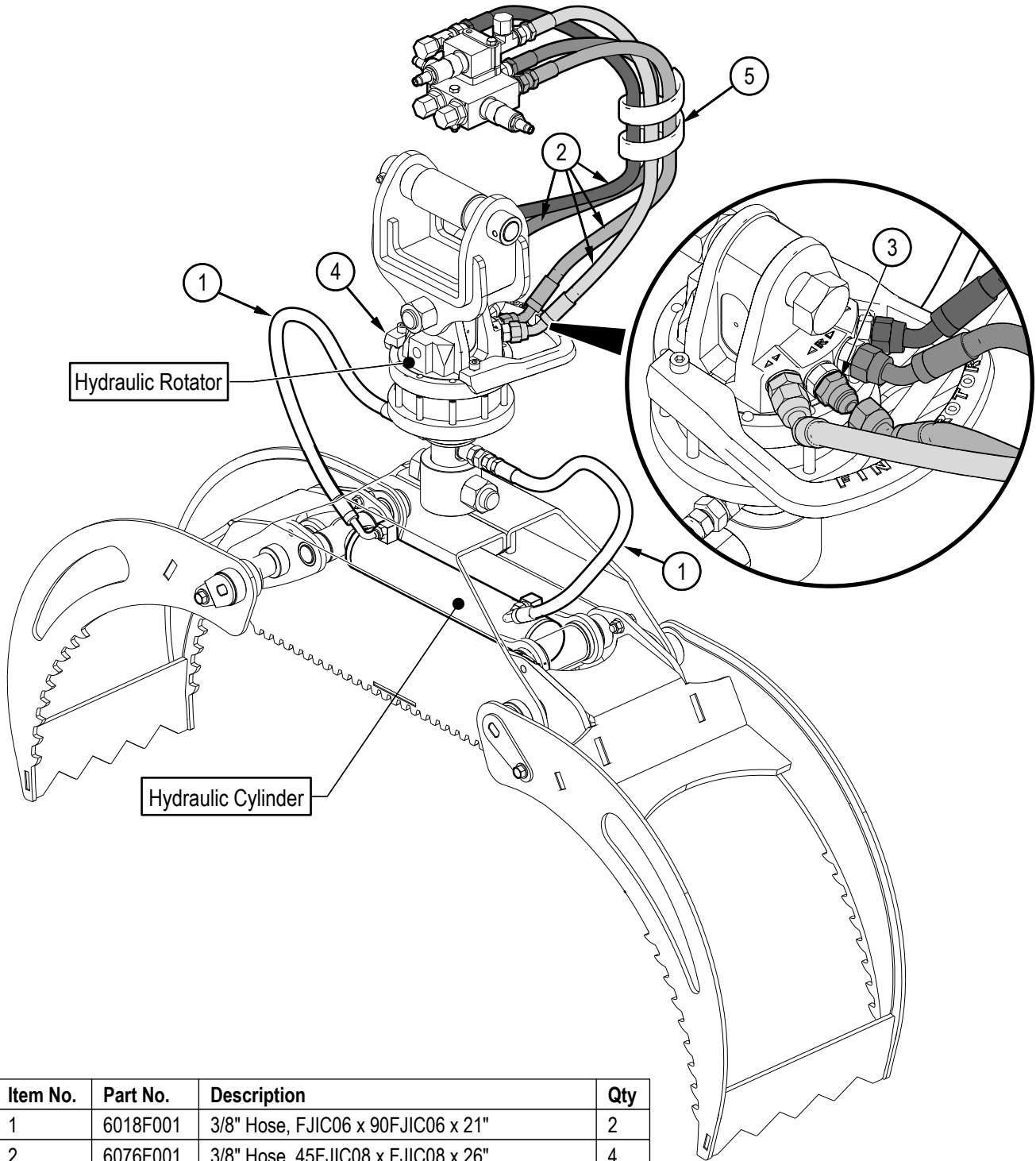
Item No.	Part No.	Description	Qty
1	6018C0013	Rod, 1-1/4" 3/4" NF	1
2	6018C0014	Barrel, 2"	1
3	G200-125S	Gland, 2" x 1-1/4"	1
4	P750-200SP	Piston, 2" Bore	1
5	Z72276G8	Hex Top-lock Nut, 3/4NF G8	1

Valve Assembly



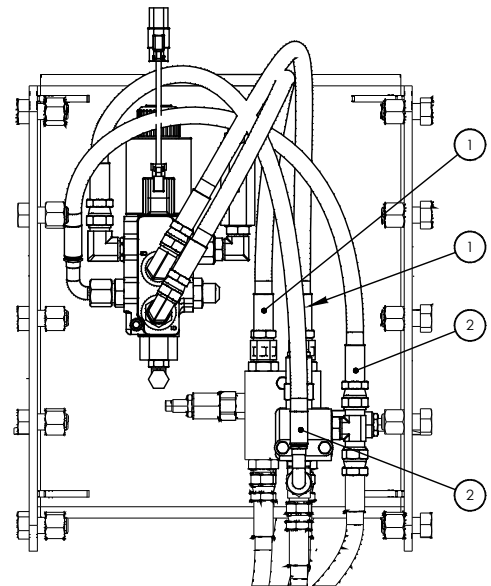
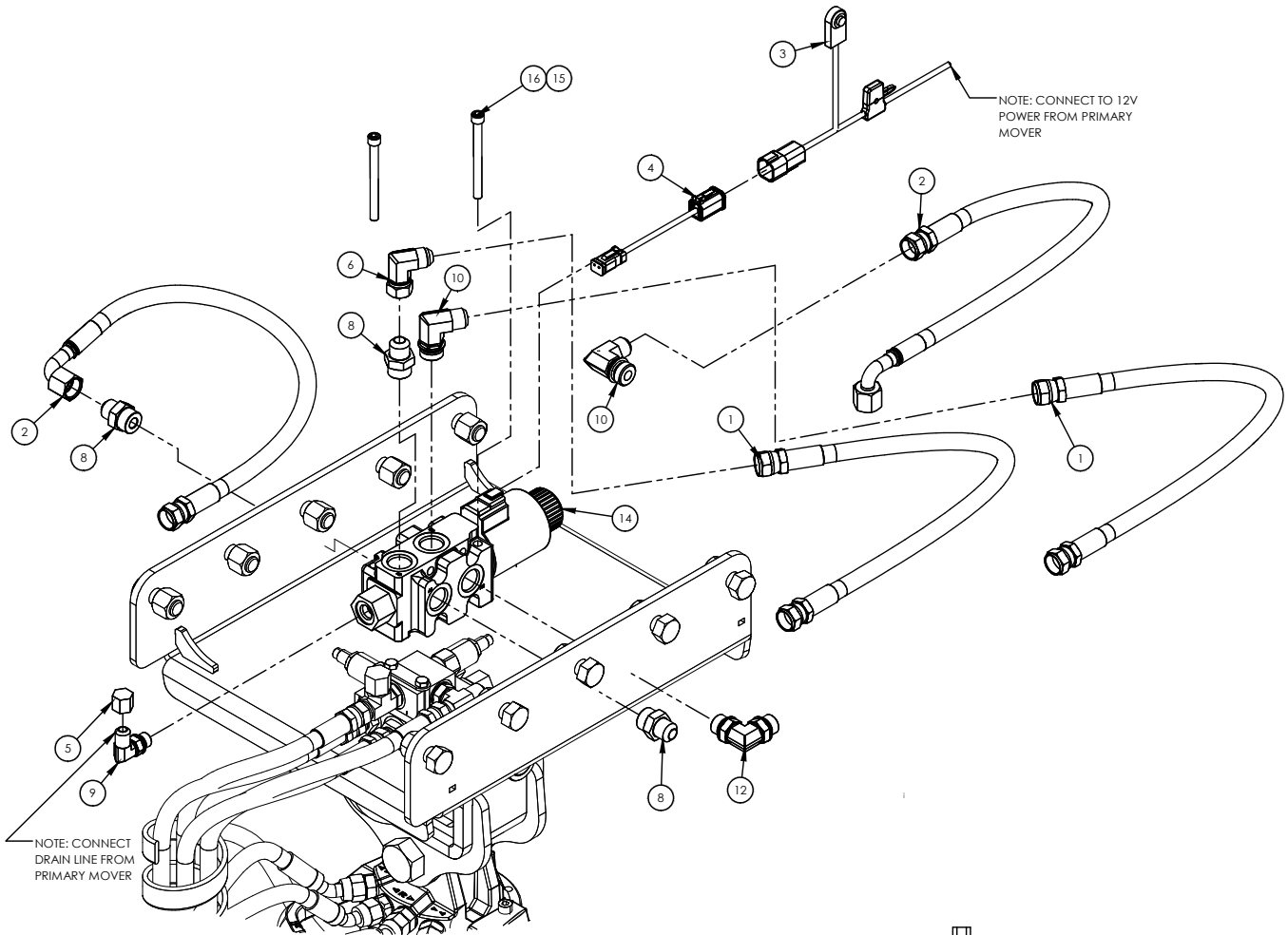
Item No.	Part No.	Description	Qty
1	Z56409	Cartridge, Pressure Reducing x 3000PSI	3
2	Z51673	Tee, MJIC x MORB x MJIC 080808	1
3	Z51675	Tee, MJIC x MJIC x MORB 080808	1
4	Z56922	Valve Housing, 2-way Cross-Over SAE10	1
5	Z56921	Valve Housing, 2-way SAE08	1
6	Z71122	Hex Bolt, 1/4NC x 4	2
7	Z51647	Straight, MJIC x MORB 0810	4
8	Z72211	Hex Locknut 1/4"NC	3
9	Z51495	Cap, FJIC 08	4
10	Z71122	Hex Bolt, 1/4"NC x 2-1/4"	1
11	2031L108	Washer, Relief Valve	1

Hydraulic Circuit



Item No.	Part No.	Description	Qty
1	6018F001	3/8" Hose, FJIC06 x 90FJIC06 x 21"	2
2	6076F001	3/8" Hose, 45FJIC08 x FJIC08 x 26"	4
3	Z51937	Straight, MJIC x MBSPP 0806 x 0.047" Orifice	1
4	Z54107	Hydraulic Rotator, C300W	1
5	6076F007	Hose Wrap 3" x 12"	1

Accessory Valve Kit

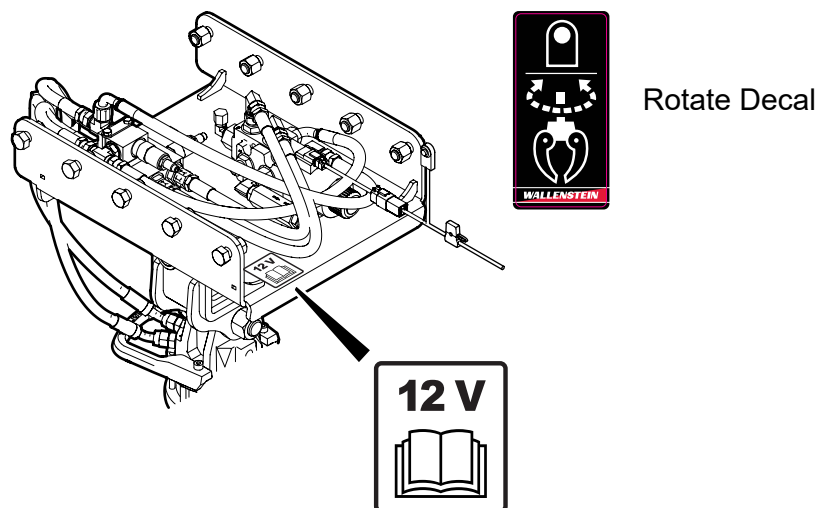
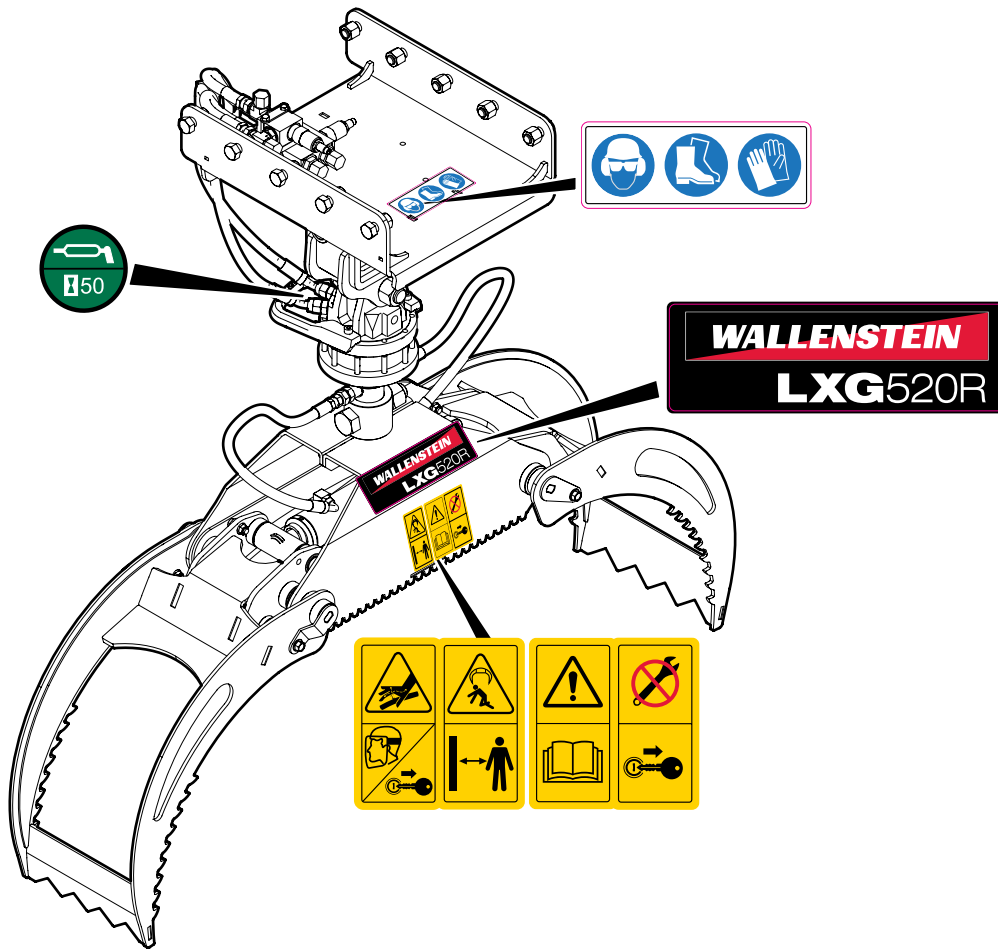


ITEM	PART NO.	DESCRIPTION	QTY
1	6076F003	3/8" Hose, FJIC08 x FJIC08 x 20"	2
2	6076F004	3/8" Hose, FJIC08 x 90FJIC08 x 23"	2
3	6076F005	Harness, Switch Power x 6 Pin	1
4	6076F006	Cable, Switch Extension x 240"	1
5	Z51496	Cap, FJIC 06	1
6	Z51562	Elbow 90, MJIC x FJICX 0808	1
8	Z51647	Straight, MJIC x MORB 0810	3
9	Z51651	Elbow 90, MJIC x MORB 0606	1
10	Z51658	Elbow 90, MJIC x MORB 0810	2
12	Z51658	Elbow 90, MJIC x MORB 0810	1
14	Z56617	Single Spool Valve, OC Selector SOL x 40GPM	1
15	Z72221	Hex Lock Nut, 5/16NC	2
16	Z75124	SHCS, 5/16NC x 3-1/2"	2

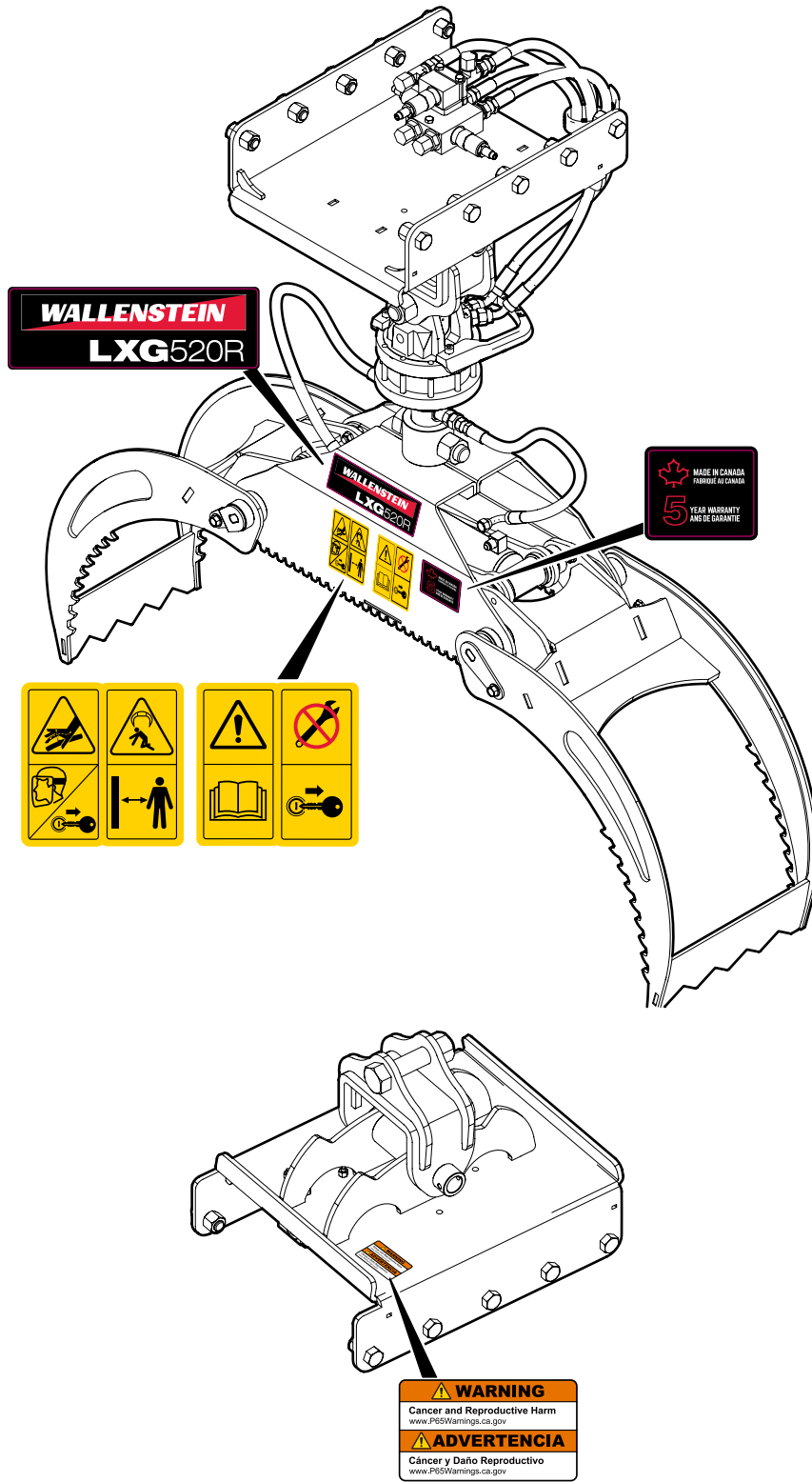
Decal Layout

IMPORTANT! If parts are replaced that have safety signs on them, new signs must be applied. Safety signs must always be replaced if they become damaged, are removed, or become illegible.

Safety signs are included in the product decal kit available from your authorized dealer. Decals are not available separately.

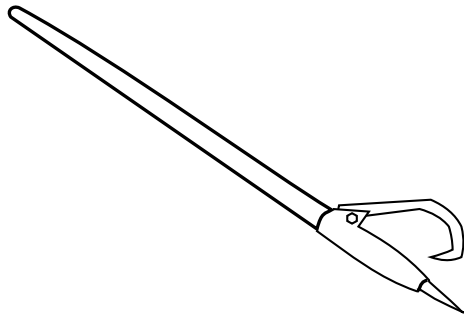


Decal Layout



Accessories

Call your dealer for pricing and availability

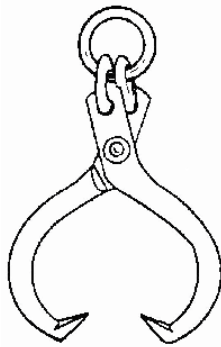


48" Log Peavey

P/N Z99001

Quality 2-3/8" diameter hardwood handle with a Western Duck Bill Hook.

Helps to move those heavy log timbers into position.



Skidding Tongs

P/N Z99003

Heavy Duty Forged Ring Skidding Tongs

Maximum Opening: 25"

Minimum Opening: 4-1/2"

Tough log skidding tongs are a quick and easy way to skid logs.