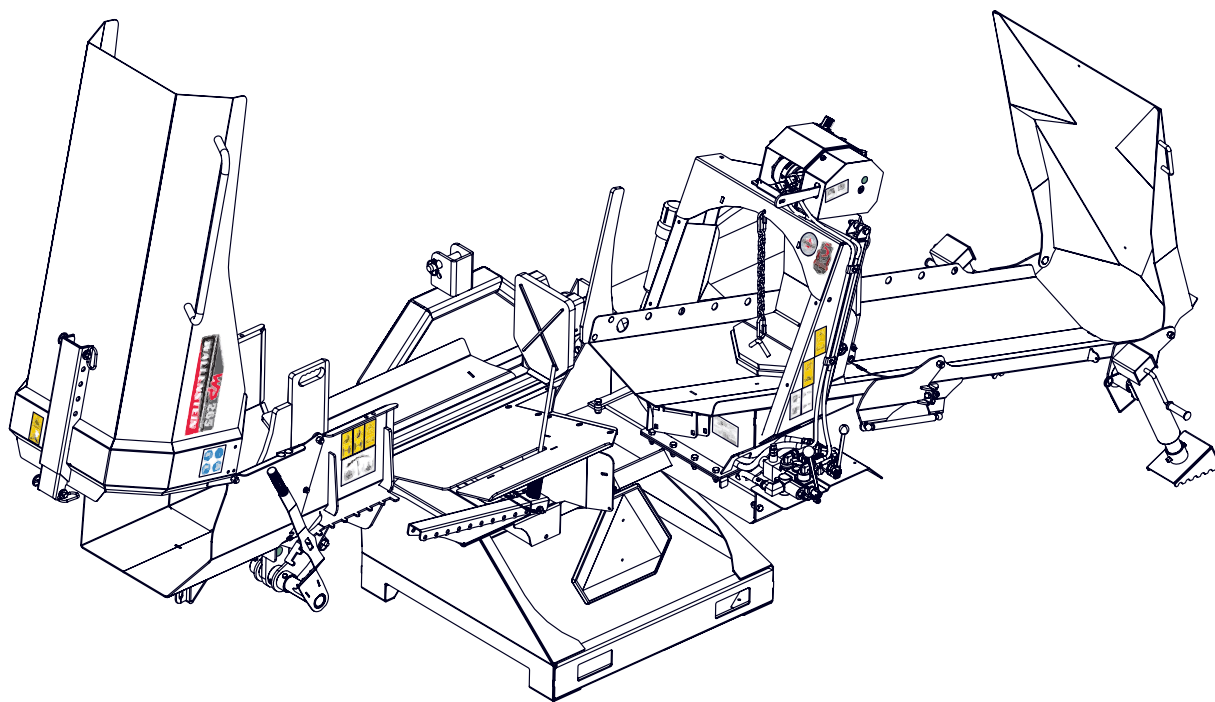




EMB Manufacturing Inc.  
4144 Boomer Line · St. Clements, On · N0B 2M0 · Canada  
Ph: (519) 699-9283 · Fax: (519) 699-4146  
www.embmfg.com

# WP265 Wood Processor Parts Manual

Starting with S/N 670011



Refer to the operators manual for safe operation and maintenance

# Table of Contents

## Contents

<b>SPLITTER CHUTE ASS'Y</b> .....	<b>3</b>
<b>SPLITTER CRADLE ASS'Y</b> .....	<b>4</b>
<b>THREE POINT HITCH FRAME ASS'Y</b> .....	<b>5</b>
<b>LOG CHUTE ASS'Y</b> .....	<b>6</b>
<b>LOG HOLD DOWN ASSEMBLY</b> .....	<b>7</b>
<b>LEAD IN CHUTE ASSEMBLY</b> .....	<b>8</b>
<b>HYDRAULIC SPLITTER ASS'Y</b> .....	<b>9</b>
<b>HYDRAULIC LINES</b> .....	<b>10</b>
<b>HYDRAULIC VALVES</b> .....	<b>11</b>
<b>HYDRAULIC CYLINDER</b> .....	<b>12</b>
<b>HYDRAULIC CYLINDER SEAL KIT #SLK-4525</b> .....	<b>12</b>
<b>HYDRAULIC WINCH</b> .....	<b>13</b>
<b>WINCH DRUM DETAIL</b> .....	<b>14</b>
<b>WINCH FAIRLEAD DETAIL</b> .....	<b>14</b>
<b>LABELS</b> .....	<b>15</b>
<b>HYDRAULIC SCHEMATIC</b> .....	<b>18</b>
<b>ACCESSORIES</b> .....	<b>19</b>

## Foreword

EMB Mfg. has prepared this parts manual to assist customers in ordering quality OEM replacement parts.

Proper and regular service and replacing old, worn or broken parts with the correct Wallenstein parts are essential to prolonging the life of your Wallenstein product. Please refer to this manual before ordering any replacement parts.

All information contained in this parts manual is based on the latest product specification available at the time of printing this manual. If your product differs from the specifications contained within this manual contact EMB Mfg. for information.

EMB reserves the right to alter specifications on their products at any time.

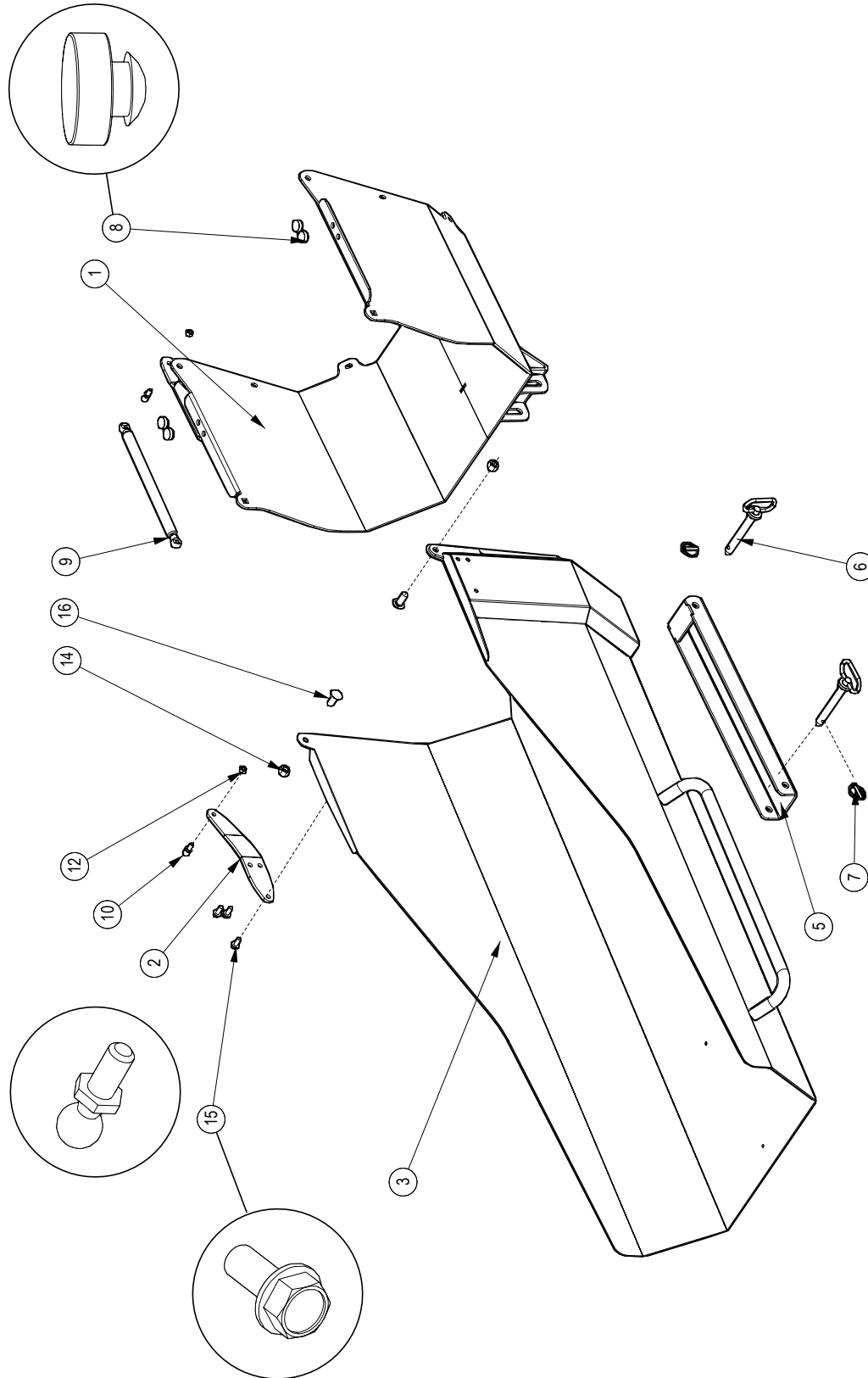
Reproduction of this parts manual of any kind is prohibited without prior written permission from EMB Mfg.



Refer to the operators manual for safe operation and maintenance

For parts and information please contact your dealer. If your dealer is no longer available please go to our website: <http://www.embmfg.com> and click on "FIND A DEALER NEAR YOU" for information on a local dealer.

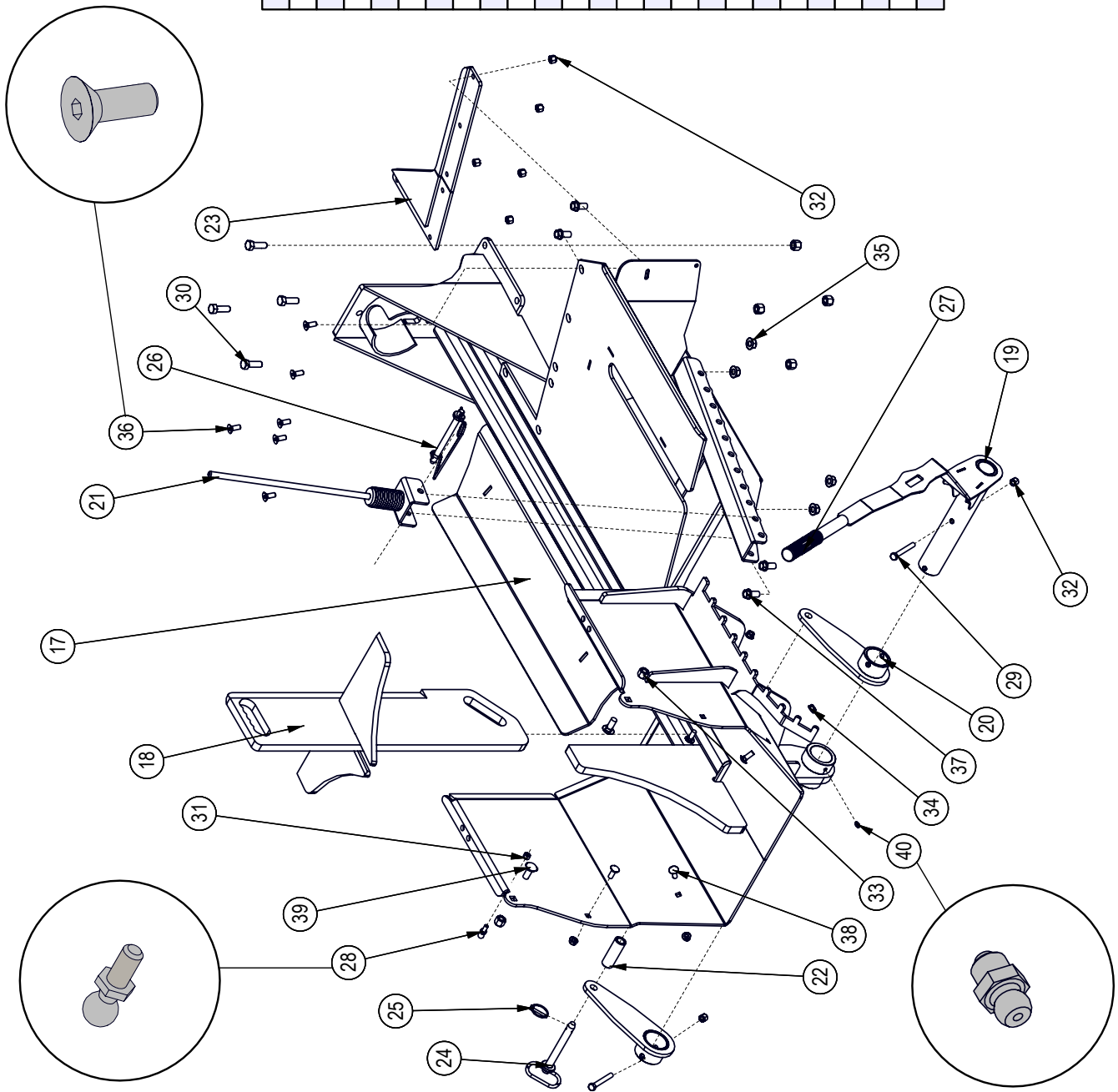
**Splitter Chute Ass'y**



Item	Part Number	Description	Qty
9	Z34203	Gas Spring, 10mm x 8.44 Stroke	1
10	Z34204	Ball Stud 13mm x 5/16	2
12	Z72221	Hex Lock Nut, 5/16NC	2
14	Z72251	Hex Lock Nut, 1/2NC	2
15	Z76121	Flange Bolt, 5/16NC x 3/4	3
16	Z76259	Carriage Bolt, 1/2NC x 1-1/4	2

Item	Part Number	Description	Qty
1	2019W993	Chute, Extension	1
2	2071L188	Plate, Spring Mount	1
3	2071W104	Splitter Chute	1
5	2071W114	Chute Adjuster	1
6	Z11232	Hitch Pin 5/8 x 4-1/4	2
7	Z12110	Latch Pin 3/16	2
8	Z19909	Rubber Bumper 7/16 x 1	4

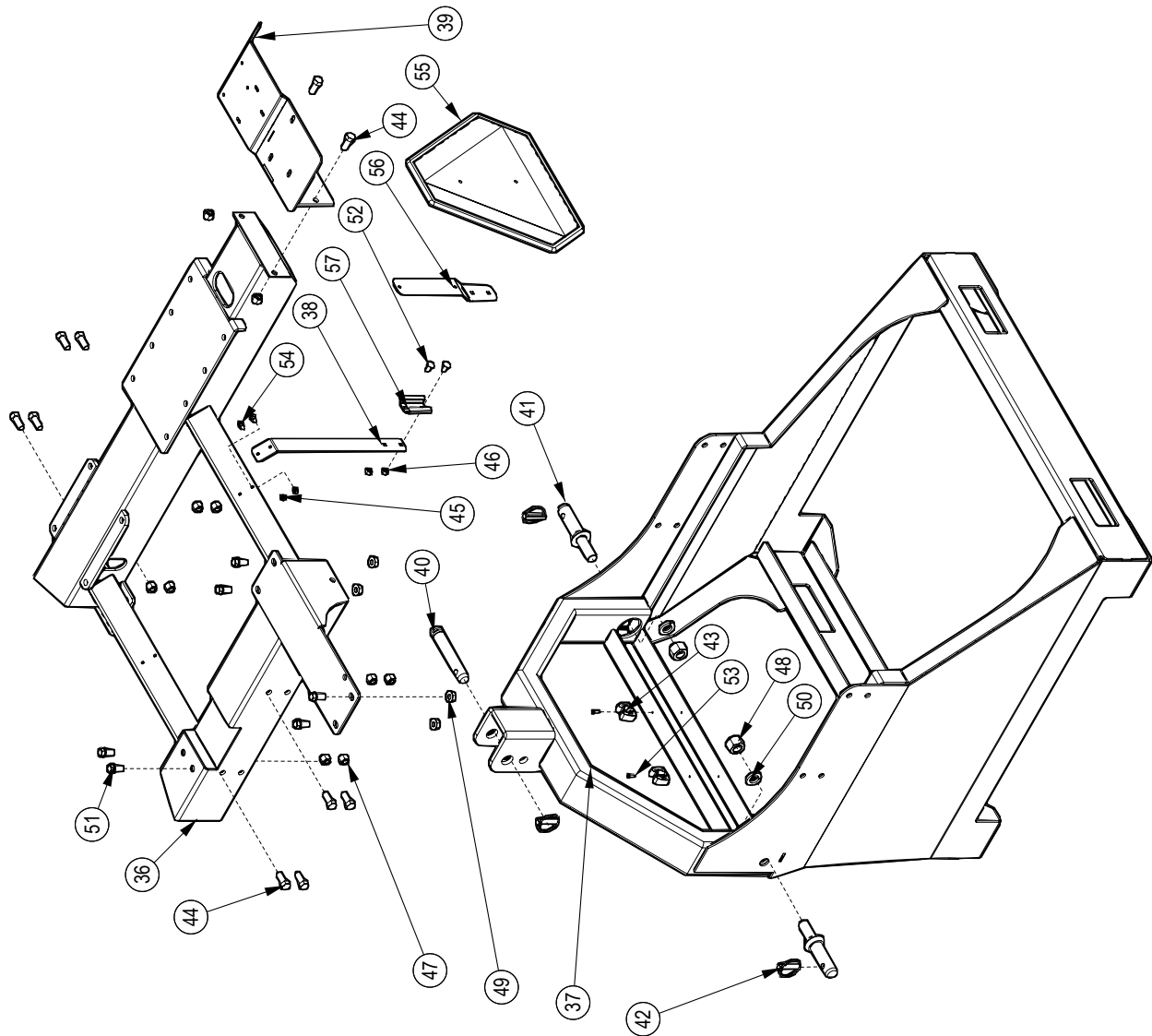
**Splitter Cradle Ass'y**



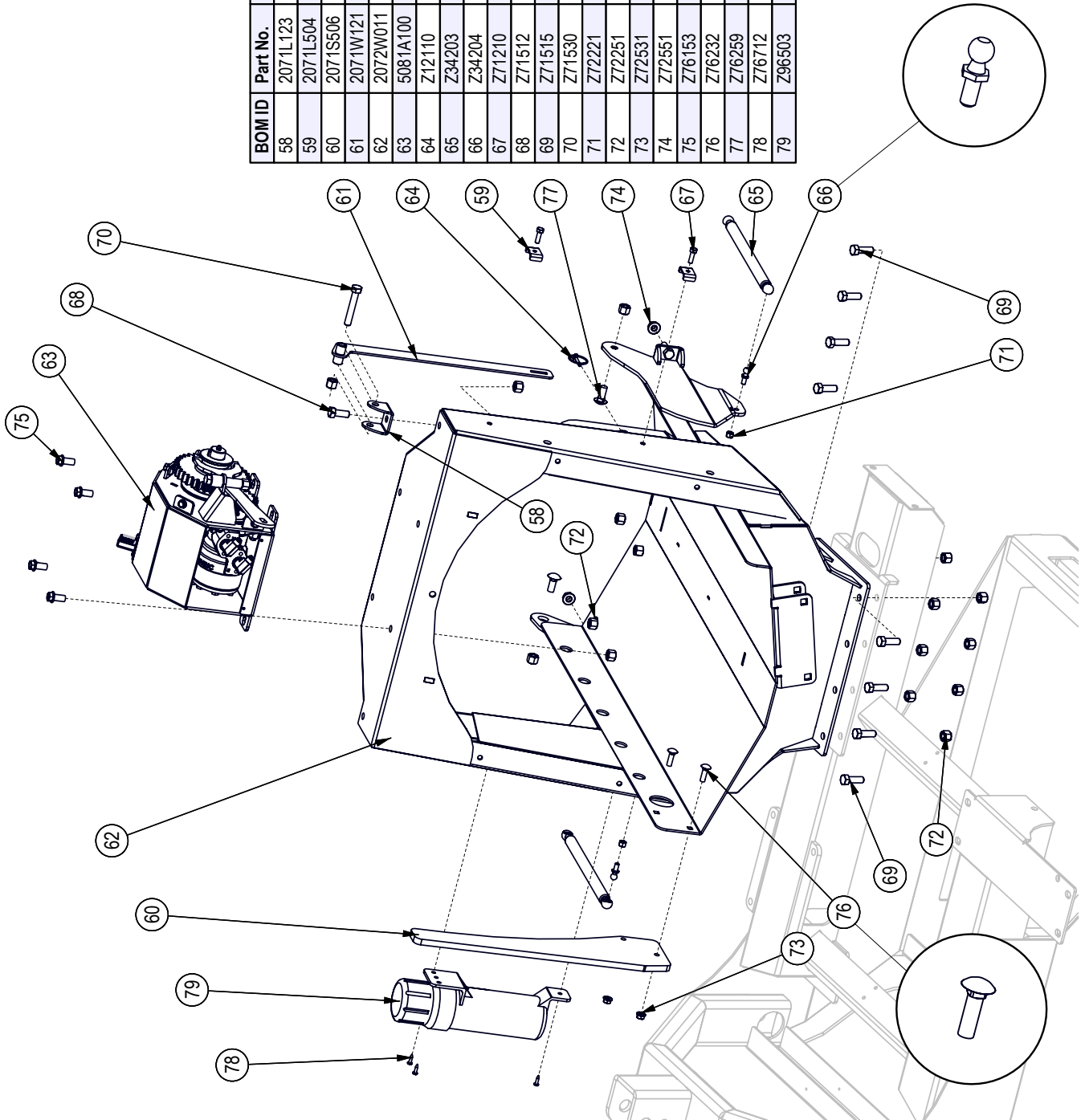
BOM ID	Part No.	Description	Qty
17	2019W994	Weldment, Main Splitter	1
18	2071W532	Wedge 4 Way	1
19	2071W533	Wedge Position Handle	1
20	2071W111	Arm Wedge Lifter	2
21	2071W190	Log Stop Whip	1
22	2071M123	Roller Wedge Lift	1
23	2071S126	Edge, Log Table	1
24	Z11232	Hitch Pin, 5/8" x 4-1/4"	1
25	Z12110	Lynch Pin, 3/16"	1
26	Z12441	Snap Lock Pin, 1/2" x 4-1/2"	1
27	Z19321	Grip, 1" x 5"	1
28	Z34204	Ball Stud, 13mm x 5/16NC	1
29	Z71330	Hex Bolt, 3/8NC x 3"	2
30	Z71515	Hex Bolt, 1/2NC x 1-1/2"	4
31	Z72221	Hex Lock Nut, 5/16NC	1
32	Z72231	Hex Lock Nut, 3/8NC	8
33	Z72251	Hex Lock Nut, 1/2NC	6
34	Z72531	Serrated Flange Locknut, 3/8NC	4
35	Z72551	Serrated Flange Locknut, 1/2NC	4
36	Z75233	FHCS, 3/8NC x 1"	6
37	Z76153	Flange Bolt, 1/2NC x 1"	4
38	Z76231	Carriage Bolt, 3/8NC x 1"	4
39	Z76259	Carriage Bolt, 1/2NC x 1-1/4"	2
40	Z29202	Grease Zerk 1/4NF	1

Item	Part Number	Description	Qty
36	2018W801	WP 3PH Frame Adapter	1
37	2018W802	WP 3PH Base	1
38	2019L922	SMV Post	1
39	2072W395	Valve Mount	1
40	Z11142	Toplink Pin, 1 x 4-5/16	1
41	Z11442	Implement Pin, 1-1/8 x 7/8NF	2
42	Z12140	Latch Pin 7/16	3
43	Z19907	3/4 - 1-1/8 Nylon coated Gripper clip	2
44	Z71512	Hex Bolt, 1/2NC x 1-1/4	10
45	Z72211	Hex Lock Nut, 1/4NC	2
46	Z72221	Hex Lock Nut, 5/16NC	2
47	Z72251	Hex Lock Nut, 1/2NC	10
48	Z72282	Hex Lock Nut, 7/8-14NF	2
49	Z72551	Flange Nut 1/2NC	4
50	Z73381	Lock Washer, 7/8	2
51	Z76153	Flange Bolt, 1/2NC x 1	6
52	Z76221	Carriage Bolt, 5/16NC x 3/4	2
53	Z76712	Self-tapping Screw #10	2
54	Z78301	Machine Screw, 1/4-20NC x 3/4	2
55	Z96601	Sign, SMV	1
56	Z96602	Spade - SMV	1
57	Z96605	SMV Spade & Socket	1

Three Point Hitch Frame Ass'y

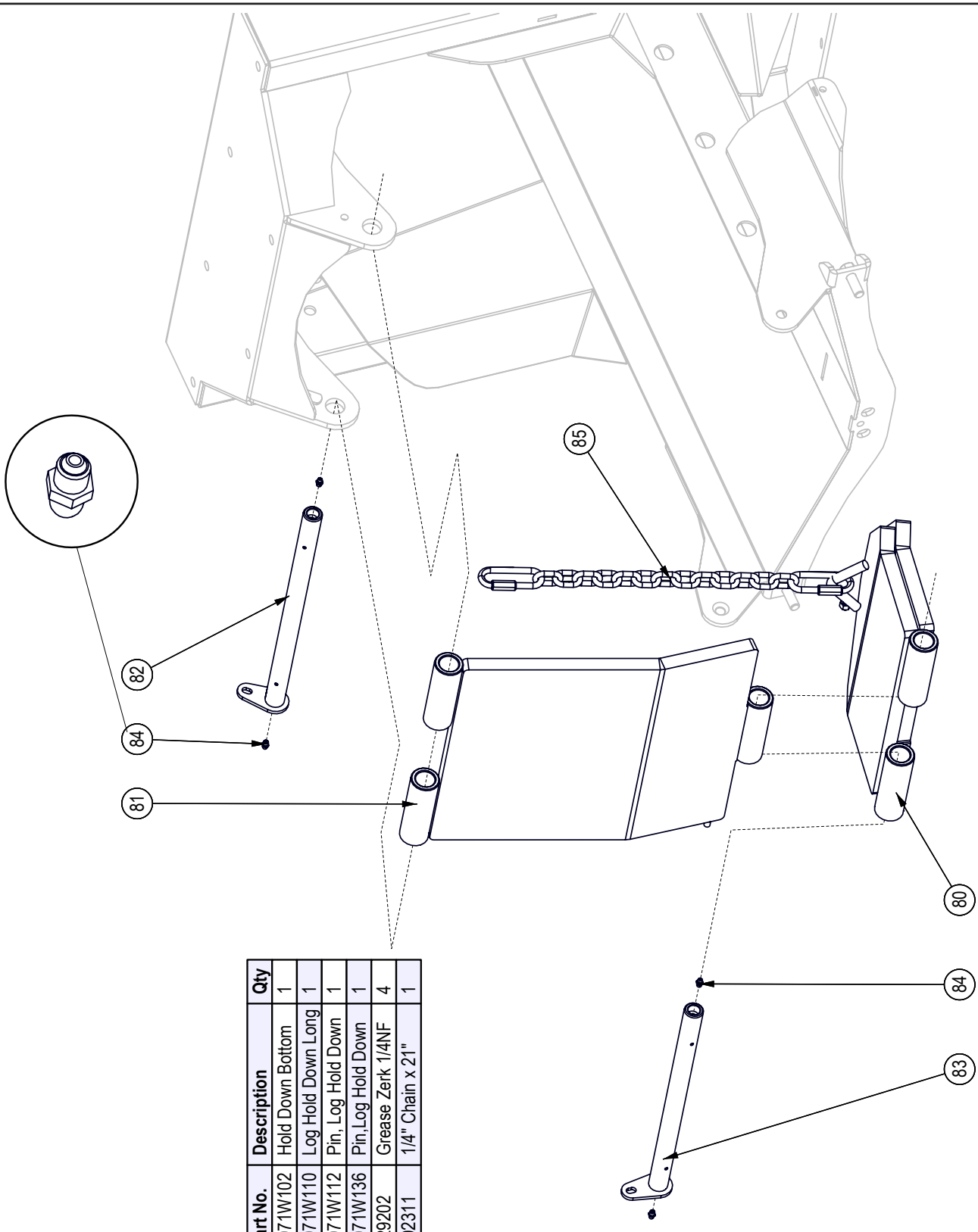


Log Chute Ass'y



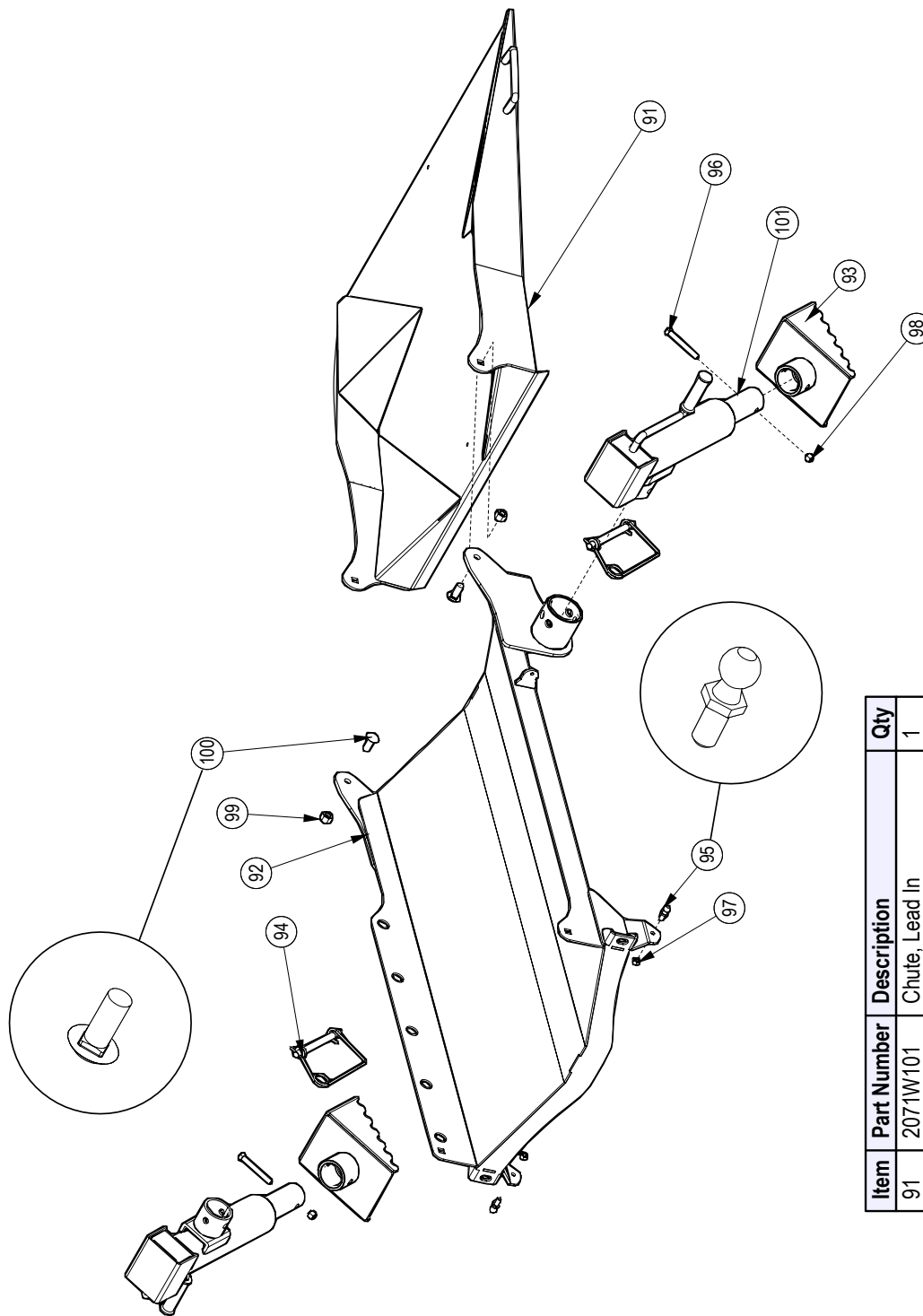
BOM ID	Part No.	Description	Qty
58	2071L123	Clevis, Latch Mount	1
59	2071L504	Hose Clamp, 2x 1/4	2
60	2071S506	Saw Guide	1
61	2071W121	Arm, Log Chute Lock	1
62	2072W011	Chute, Log	1
63	5081A100	Hydraulic Winch Assembly	1
64	Z12110	Lynch Pin, 3/16"	1
65	Z34203	Gas Spring, 10mm OD x 540mm x 215mm x 168 lbs	2
66	Z34204	Ball Stud, 13mm x 5/16NC	2
67	Z1210	Hex Bolt, 5/16NC x 1"	2
68	Z11512	Hex Bolt, 1/2NC x 1-1/4"	1
69	Z11515	Hex Bolt, 1/2NC x 1-1/2"	8
70	Z11530	Hex Bolt, 1/2NC x 3"	1
71	Z12221	Hex Lock Nut, 5/16NC	2
72	Z12251	Hex Lock Nut, 1/2NC	16
73	Z12531	Serrated Flange Locknut, 3/8NC	2
74	Z12551	Serrated Flange Locknut, 1/2NC	2
75	Z16153	Flange Bolt, 1/2NC x 1"	4
76	Z16232	Carriage Bolt, 3/8NC x 1-1/4"	2
77	Z16259	Carriage Bolt, 1/2NC x 1-1/4"	2
78	Z16712	Self-tapping Screw, #10 x 3/4"	3
79	Z96503	Manual Tube 3-1/2 Short	1

Log Hold Down Assembly



BOM ID	Part No.	Description	Qty
80	2071W102	Hold Down Bottom	1
81	2071W110	Log Hold Down Long	1
82	2071W112	Pin, Log Hold Down	1
83	2071W136	Pin, Log Hold Down	1
84	Z29202	Grease Zerker 1/4NF	4
85	Z92311	1/4" Chain x 21"	1

**Lead In Chute Assembly**

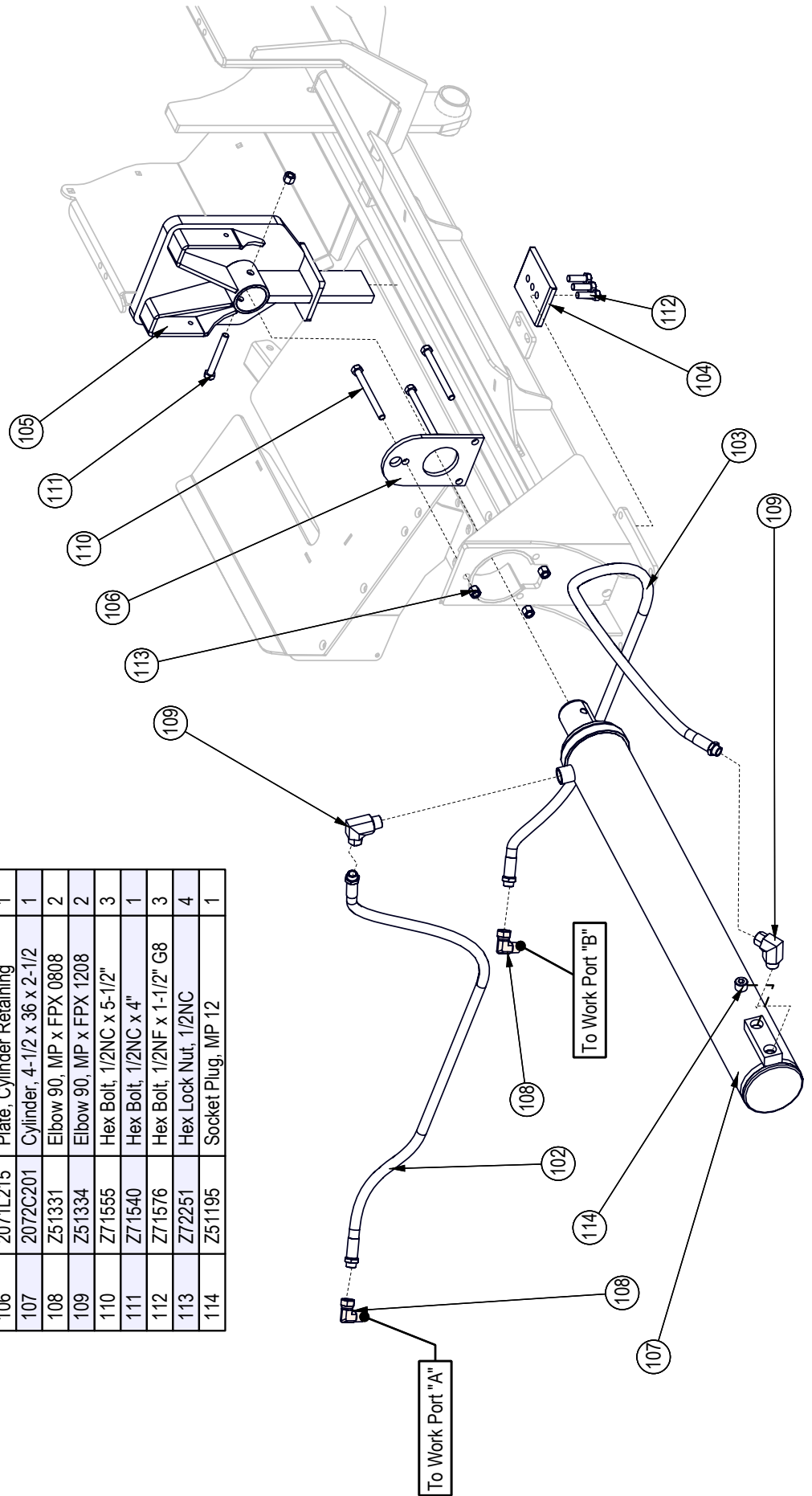


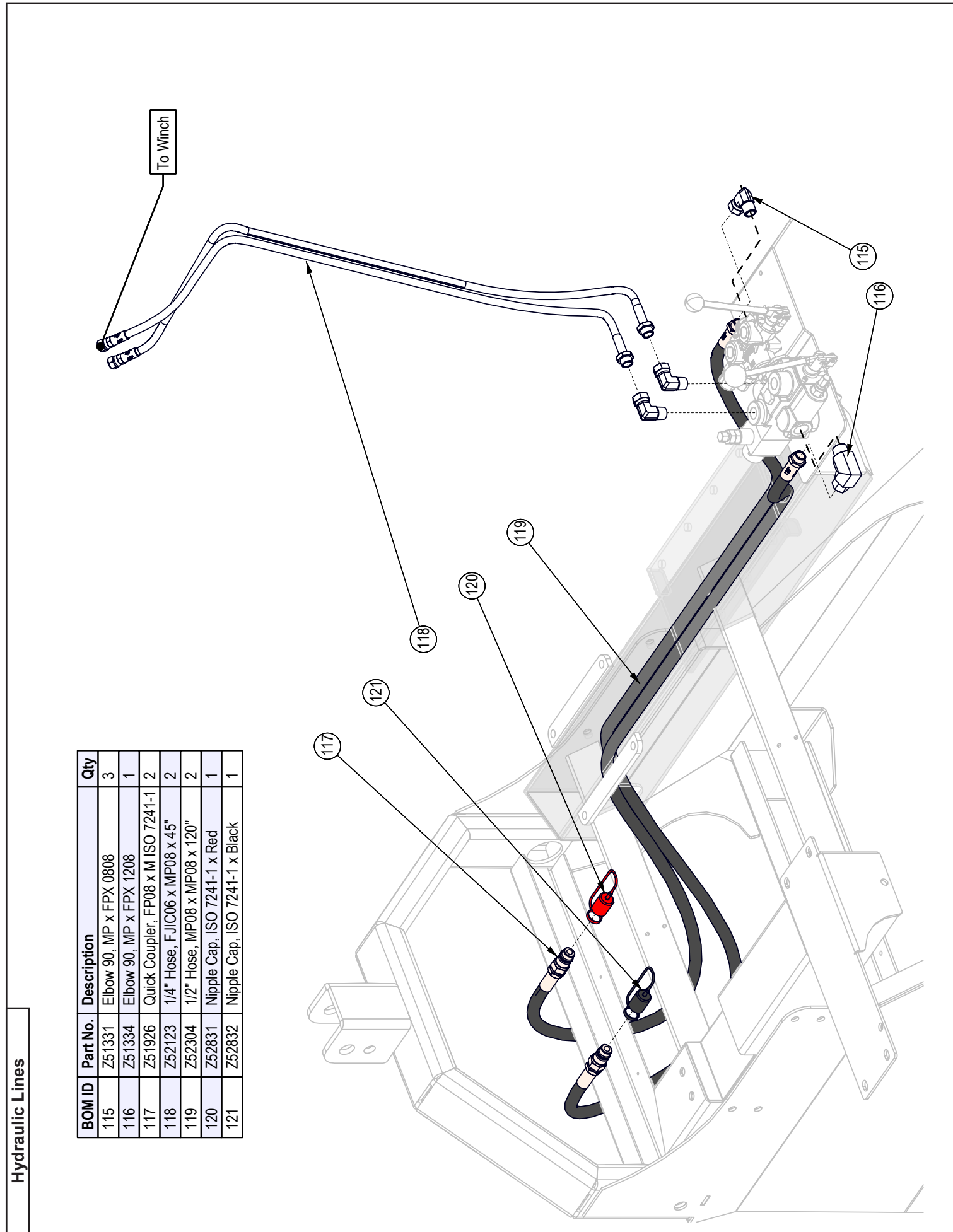
Item	Part Number	Description	Qty
91	2071W101	Chute, Lead In	1
92	2071W118	Chute, Bottom	1
93	2071W122	Foot, Jack	2
94	Z12441	Snapper Pin 1/2 x 4-1/2	2
95	Z34204	Ball Stud 13mm x 5/16	2
96	Z71330	Hex Bolt, 3/8NC x 3	2
97	Z72221	Hex Lock Nut, 5/16NC	2
98	Z72231	Hex Lock Nut, 3/8NC	2
99	Z72251	Hex Lock Nut, 1/2NC	2
100	Z76259	Carriage Bolt, 1/2NC x 1-1/4	2
101	Z91515	Side-Wind 10" Jack, No Foot	2



Hydraulic Splitter Ass'y

BOM ID	Part No.	Description	Qty
102	2018F001	1/2" Hose, MP08 x MP08 x 45"	1
103	2019F001	1/2" Hose, MP08 x MP08 x 76"	1
104	2055S517	Cap, Push Block	1
105	2071W531	Weldment, Hvy Push Block	1
106	2071L215	Plate, Cylinder Retaining	1
107	2072C201	Cylinder, 4-1/2 x 36 x 2-1/2	1
108	Z51331	Elbow 90, MP x FFX 0808	2
109	Z51334	Elbow 90, MP x FFX 1208	2
110	Z71555	Hex Bolt, 1/2NC x 5-1/2"	3
111	Z71540	Hex Bolt, 1/2NC x 4"	1
112	Z71576	Hex Bolt, 1/2NF x 1-1/2" G8	3
113	Z72251	Hex Lock Nut, 1/2NC	4
114	Z51195	Socket Plug, MP 12	1

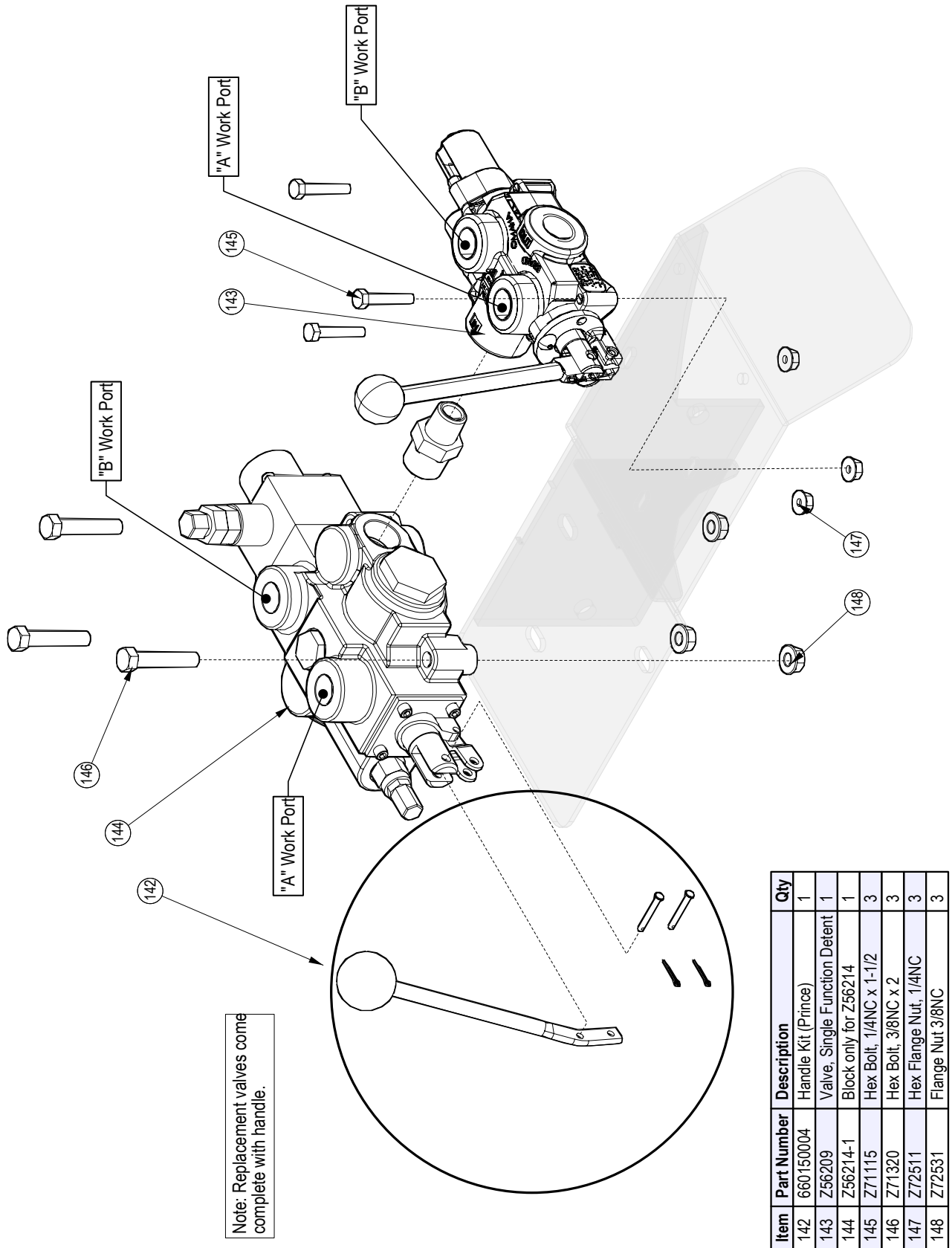




Hydraulic Lines

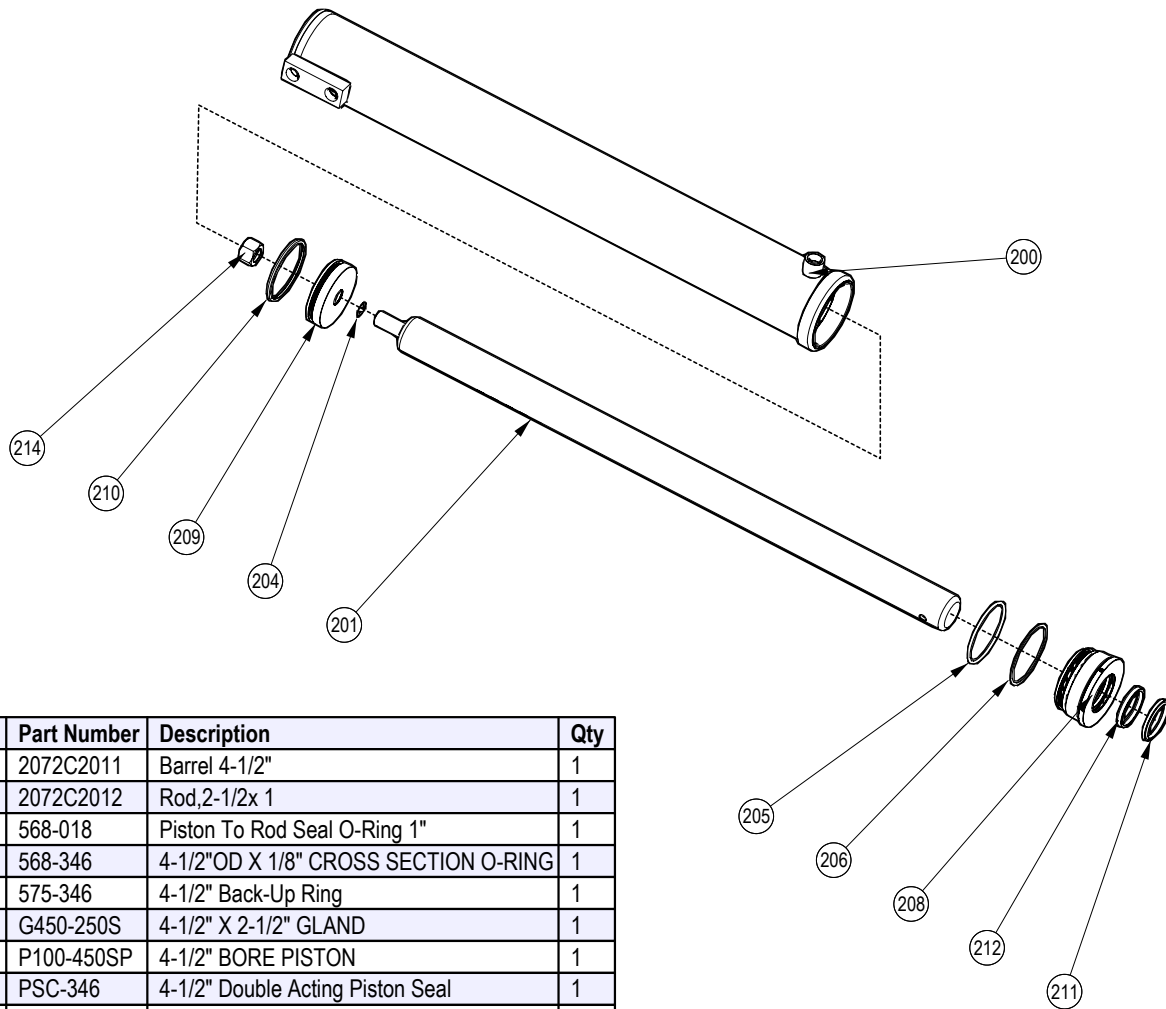
BOM ID	Part No.	Description	Qty
115	Z51331	Elbow 90, MP x FFX 0808	3
116	Z51334	Elbow 90, MP x FFX 1208	1
117	Z51926	Quick Coupler, FP08 x M ISO 7241-1	2
118	Z52123	1/4" Hose, FJIC06 x MP08 x 45"	2
119	Z52304	1/2" Hose, MP08 x MP08 x 120"	2
120	Z52831	Nipple Cap, ISO 7241-1 x Red	1
121	Z52832	Nipple Cap, ISO 7241-1 x Black	1

**Hydraulic Valves**



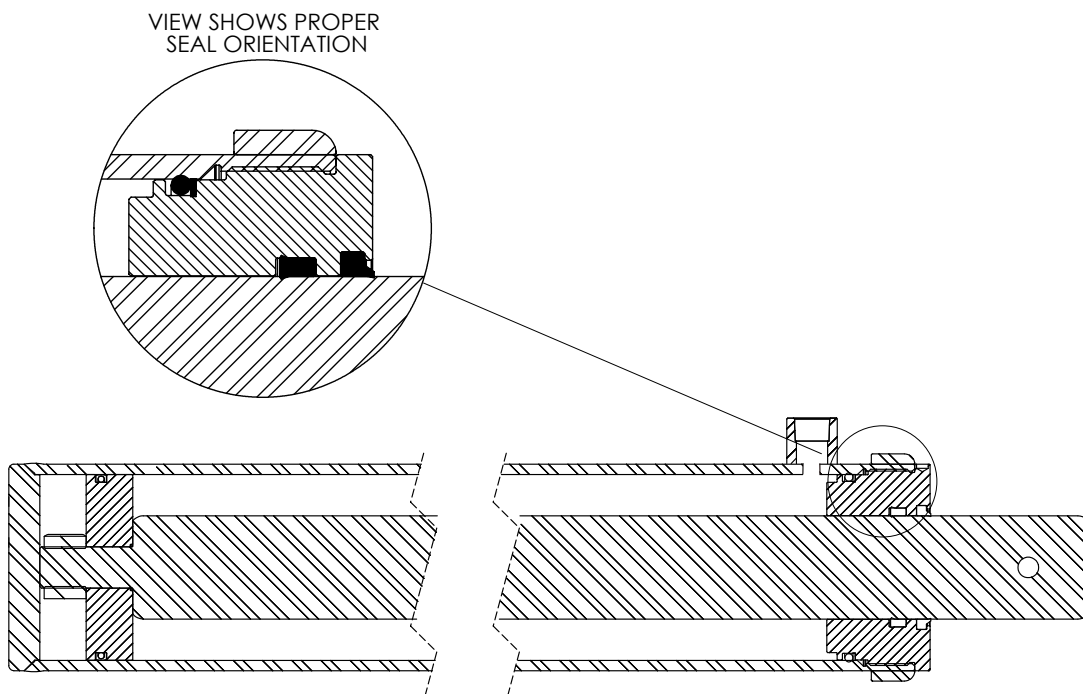
Item	Part Number	Description	Qty
142	660150004	Handle Kit (Prince)	1
143	Z56209	Valve, Single Function Detent	1
144	Z56214-1	Block only for Z56214	1
145	Z71115	Hex Bolt, 1/4NC x 1-1/2	3
146	Z71320	Hex Bolt, 3/8NC x 2	3
147	Z72511	Hex Flange Nut, 1/4NC	3
148	Z72531	Flange Nut 3/8NC	3

**Hydraulic Cylinder**

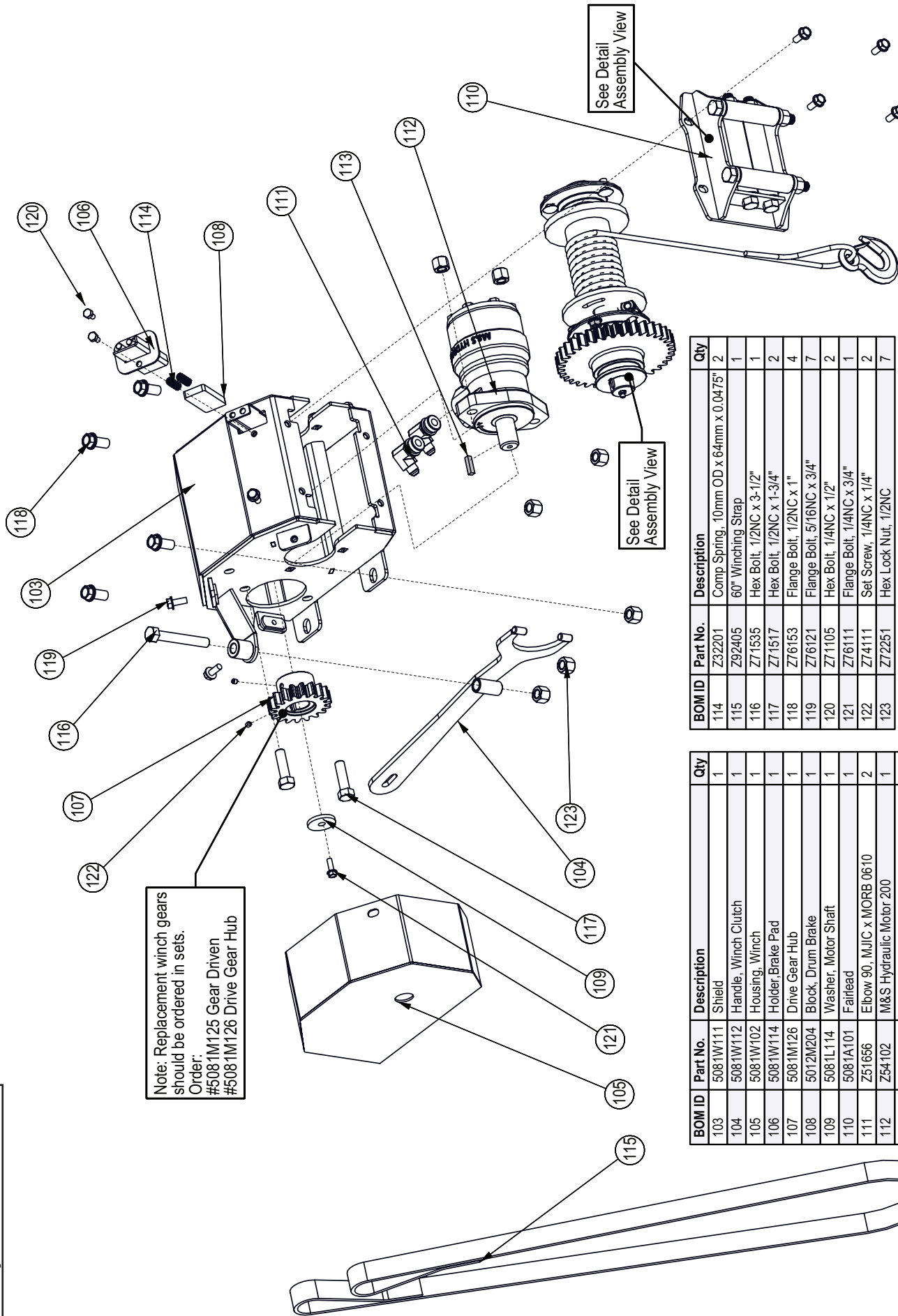


Item	Part Number	Description	Qty
200	2072C2011	Barrel 4-1/2"	1
201	2072C2012	Rod, 2-1/2x 1	1
204	568-018	Piston To Rod Seal O-Ring 1"	1
205	568-346	4-1/2"OD X 1/8" CROSS SECTION O-RING	1
206	575-346	4-1/2" Back-Up Ring	1
208	G450-250S	4-1/2" X 2-1/2" GLAND	1
209	P100-450SP	4-1/2" BORE PISTON	1
210	PSC-346	4-1/2" Double Acting Piston Seal	1
211	ST-250	2-1/2" Rod Wiper	1
212	UI8-250-37B	2-1/2" X 2-7/8" X 3/8" U-CUP	1
214	Z72292G8	Hex Lock Nut 1NF Grade 8	1

**Hydraulic Cylinder Seal Kit #SLK-4525**



Hydraulic Winch

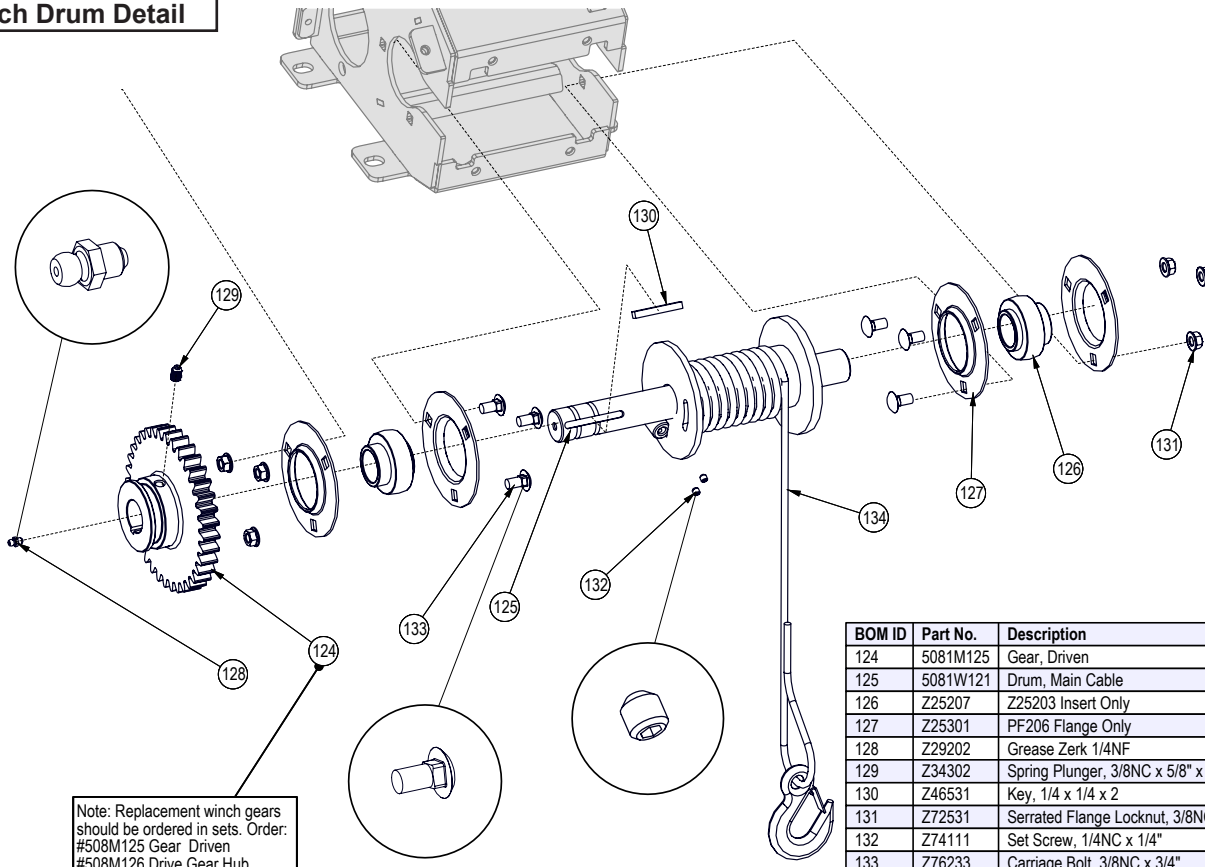


Note: Replacement winch gears should be ordered in sets.  
 Order:  
 #5081M125 Gear Driven  
 #5081M126 Drive Gear Hub

BOM ID	Part No.	Description	Qty
114	Z32201	Comp Spring, 10mm OD x 64mm x 0.0475"	2
115	Z92405	60" Winching Strap	1
116	Z71535	Hex Bolt, 1/2NC x 3-1/2"	2
117	Z71517	Hex Bolt, 1/2NC x 1-3/4"	2
118	Z76153	Flange Bolt, 1/2NC x 1"	4
119	Z76121	Flange Bolt, 5/16NC x 3/4"	7
120	Z71105	Hex Bolt, 1/4NC x 1/2"	2
121	Z76111	Flange Bolt, 1/4NC x 3/4"	1
122	Z74111	Set Screw, 1/4NC x 1/4"	2
123	Z72251	Hex Lock Nut, 1/2NC	7

BOM ID	Part No.	Description	Qty
103	5081W111	Shield	1
104	5081W112	Handle, Winch Clutch	1
105	5081W102	Housing, Winch	1
106	5081W114	Holder, Brake Pad	1
107	5081M126	Drive Gear Hub	1
108	5012M204	Block, Drum Brake	1
109	5081L114	Washer, Motor Shaft	1
110	5081A101	Fairlead	1
111	Z51656	Elbow 90, MJIC x MORB 0610	2
112	Z54102	M&S Hydraulic Motor 200	1
113	Z46533	Key, 1/4 x 1/4 x 1	1

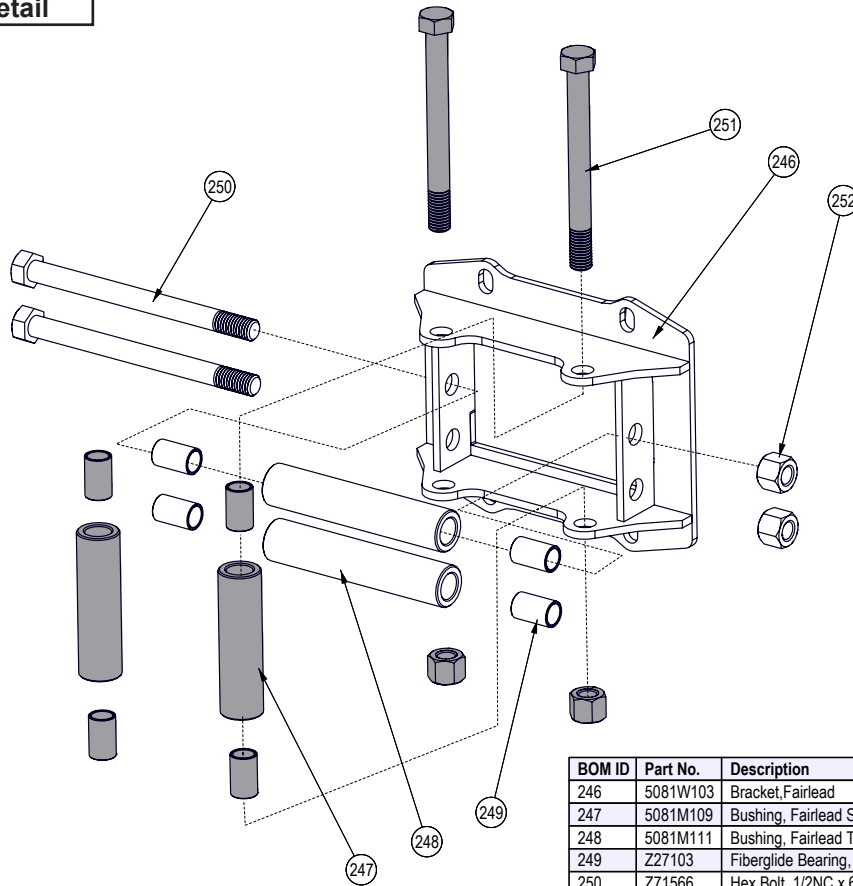
**Winch Drum Detail**



Note: Replacement winch gears should be ordered in sets. Order: #508M125 Gear Driven #508M126 Drive Gear Hub

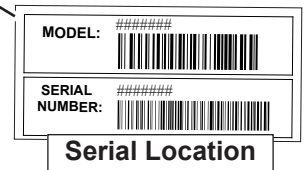
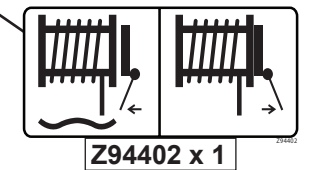
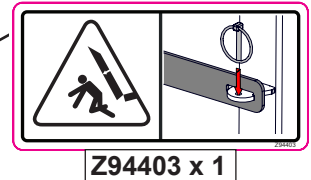
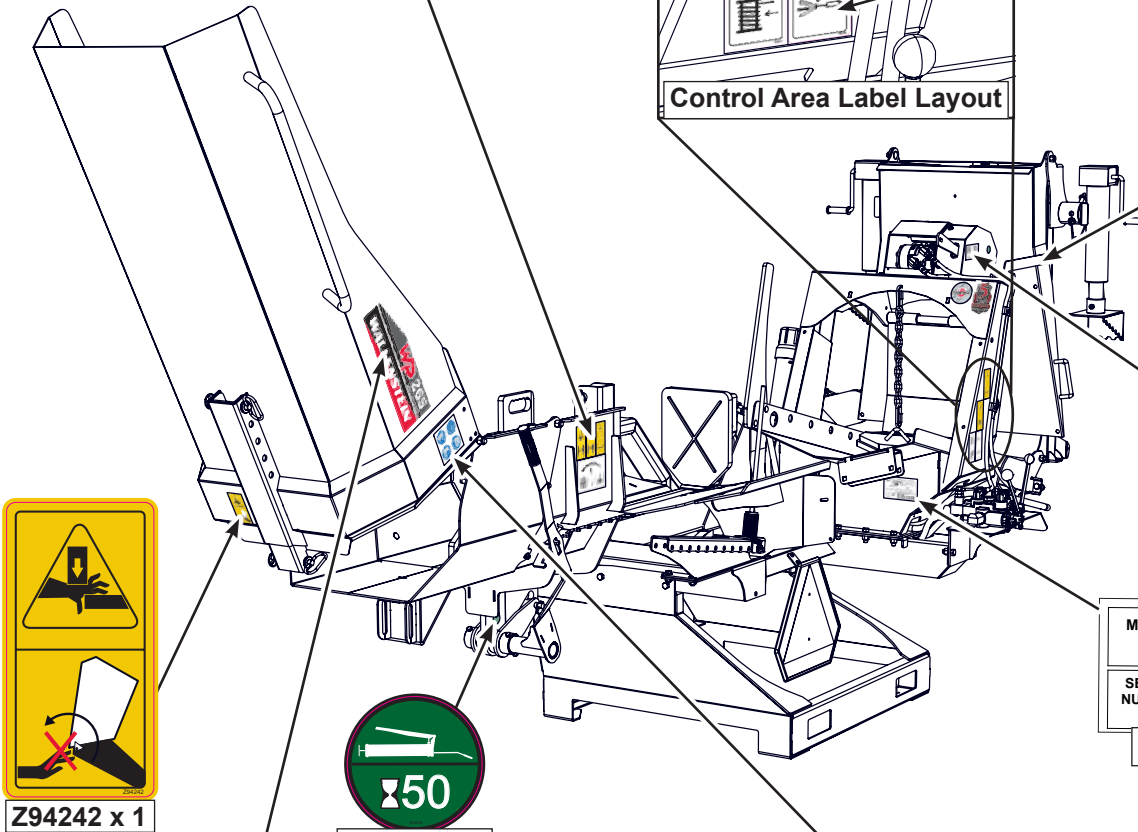
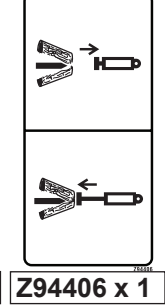
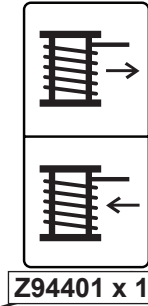
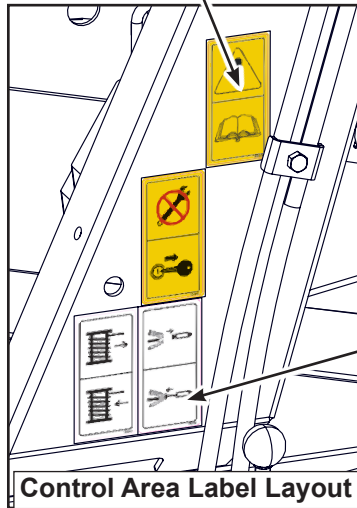
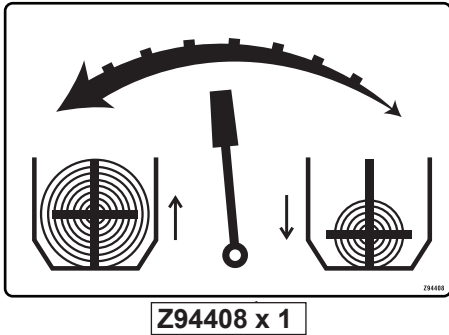
BOM ID	Part No.	Description	Qty
124	5081M125	Gear, Driven	1
125	5081W121	Drum, Main Cable	1
126	Z25207	Z25203 Insert Only	2
127	Z25301	PF206 Flange Only	4
128	Z29202	Grease Zerk 1/4NF	1
129	Z34302	Spring Plunger, 3/8NC x 5/8" x 21 lbs	1
130	Z46531	Key, 1/4 x 1/4 x 2	1
131	Z72531	Serrated Flange Locknut, 3/8NC	6
132	Z74111	Set Screw, 1/4NC x 1/4"	2
133	Z76233	Carriage Bolt, 3/8NC x 3/4"	6
134	Z92112	Synthetic Winch Rope 1/4 x 50' with Hook	1

**Winch Fairlead Detail**



BOM ID	Part No.	Description	Qty
246	5081W103	Bracket, Fairlead	1
247	5081M109	Bushing, Fairlead Side	2
248	5081M111	Bushing, Fairlead Top	2
249	Z27103	Fiberglide Bearing, 1/2" ID x 1" long x 1/16" wall	8
250	Z71566	Hex Bolt, 1/2NC x 6-1/4" x 5-1/4" Shank	2
251	Z71567	Hex Bolt, 1/2NC x 5" x 4" Shank	2
252	Z72251	Hex Lock Nut, 1/2NC	4

Labels



# WALLENSTEIN

# WP 265

## WOOD PROCESSOR

Z946118 x 1



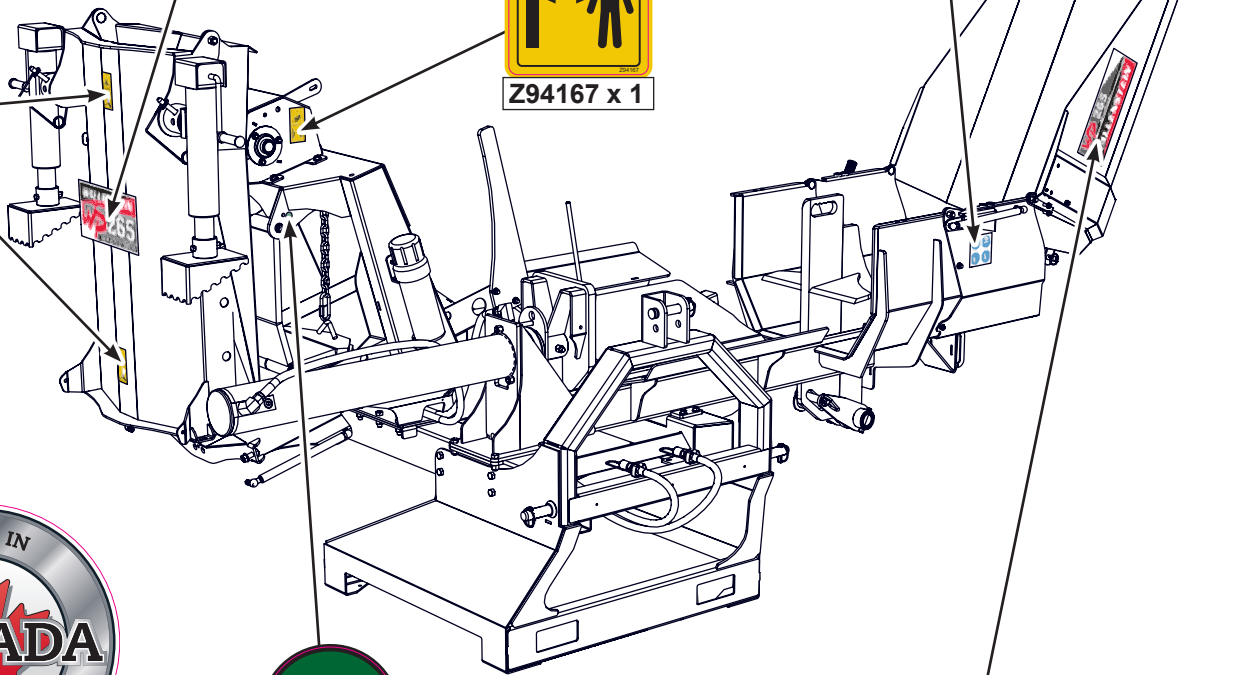
Z94203 x 1



Z94167 x 1



Z94242 x 2



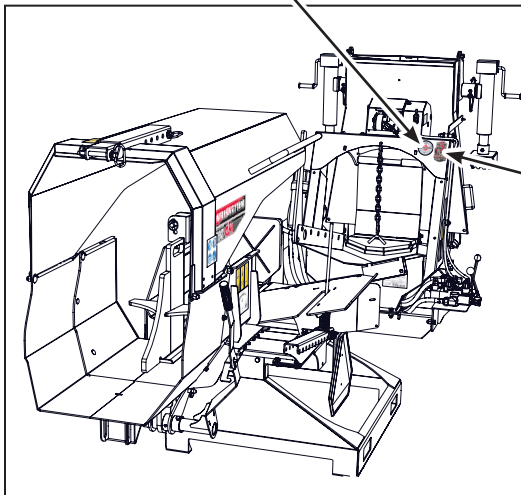
Z94617 x 1



Z94426 x 2

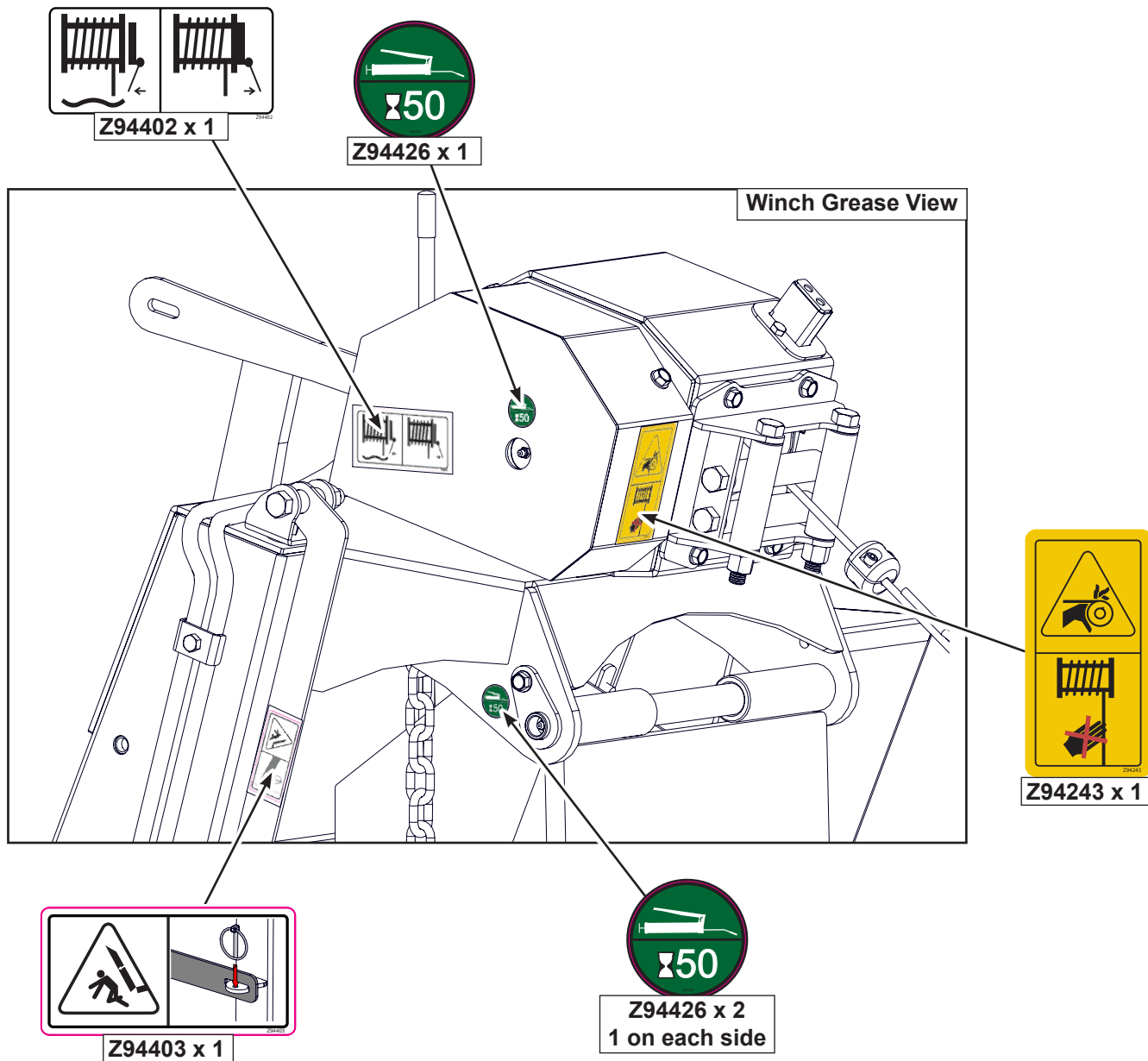


Z946119 x 1

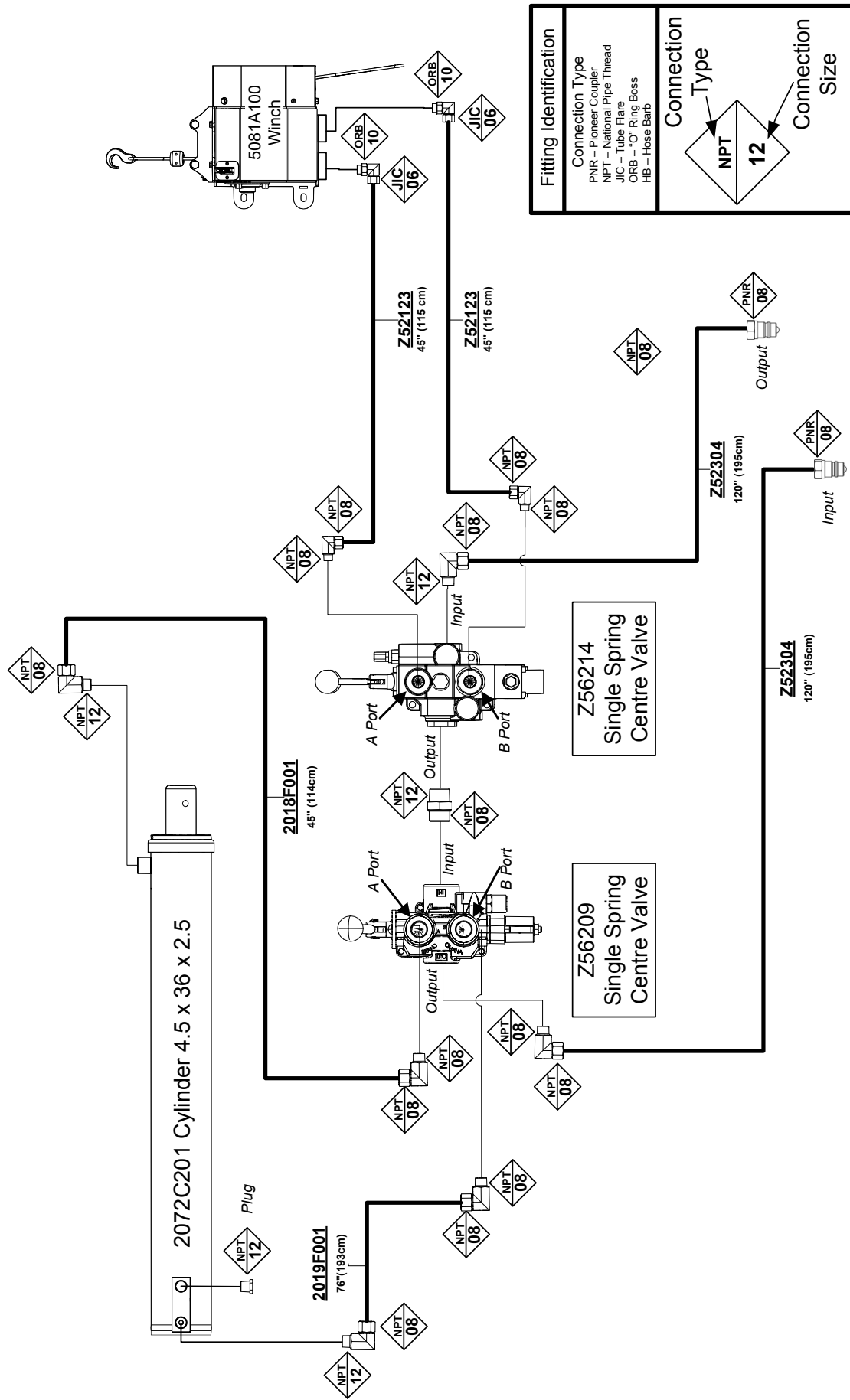


Z94163





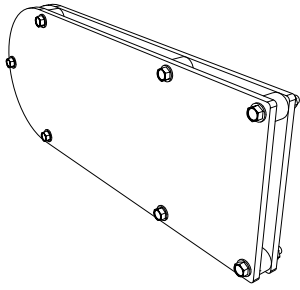
Hydraulic Schematic



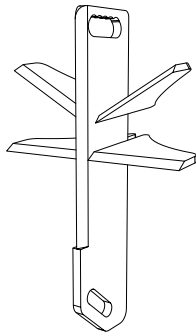
Fitting Identification	
Connection Type	
PNR – Pioneer Coupler	
NPT – National Pipe Thread	
JIC – Tube Flare	
ORB – "O" Ring Boss	
HB – Hose Barb	
Connection Type	
12	
Connection Size	

**Accessories**

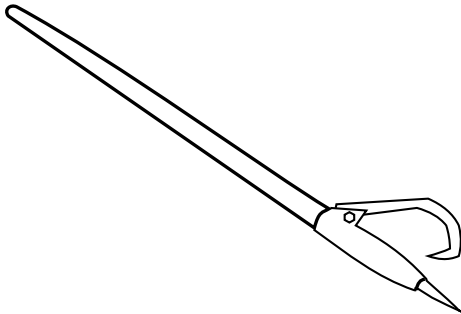
Call your dealer for pricing and availability



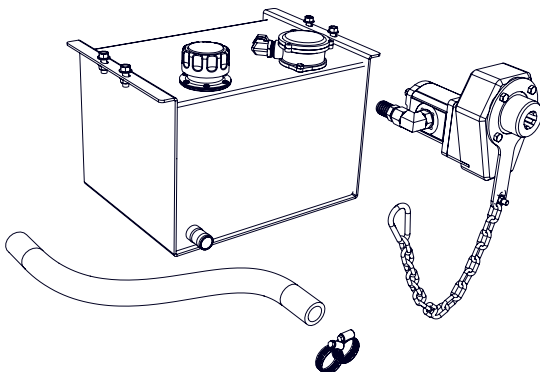
#P100 NYLON CHAINSAW HOLSTER



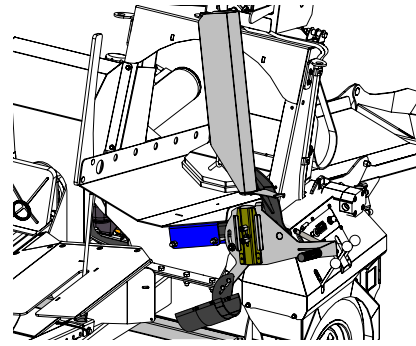
#P601 6-WAY WEDGE



#299001 48" LOG PEAVEY



#P300 HYDRAULIC POWER PACK




#P200

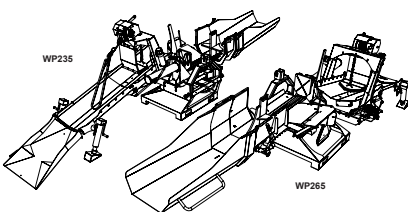
#P200 PIVOTING CHAINSAW HOLDER

For all WP Series  
Easy mounting to most chain saws, the pivoting chain saw holder securely holds your saw in place allowing for easier cutting and saving time handling your chainsaw.

Available:  
**P210 Spare Pivoting Chainsaw Adaptor**  
Save time switching out chainsaws with a spare adaptor for your second chainsaw!



EMB Manufacturing Inc.  
4144 Boomer Line - St. Clements, Ont. N0B 2M0 - Canada  
Ph: (519) 698-9233 - Fax: (519) 698-4146  
www.embmfg.com



**Wood Processor  
MODEL WP235 & WP265**

**OPERATOR'S MANUAL**

Before putting the Wood Processor into service:  
Do not attempt to start or operate the Wood Processor without receiving full safety training and instruction in its features, operation and maintenance. See page 4 for Pre-Delivery Procedure.

**Keep this manual with the  
Wood Processor at all times**

**#Z97087  
WOOD PROCESSOR  
OPERATOR'S MANUAL**

Available as a download at  
[www.embmfg.com](http://www.embmfg.com)

