



BXM32 Chipper Parts Manual

S/N 1M32411 to 1M32888



Foreword

EMB Mfg. has prepared this parts manual to assist customers in ordering quality OEM replacement parts.

Proper and regular service and replacing old, worn or broken parts with the correct OEM parts are essential to prolonging the life of your EMB product. Please refer to this manual before ordering any replacement parts.

All information contained in this parts manual is based on the latest product specification available at the time of printing this manual. If your product differs from the specifications contained within this manual contact EMB Mfg. for information.

EMB reserves the right to alter specifications on their products at any time.

Reproduction of this parts manual of any kind is prohibited without prior written permission from EMB Mfg.

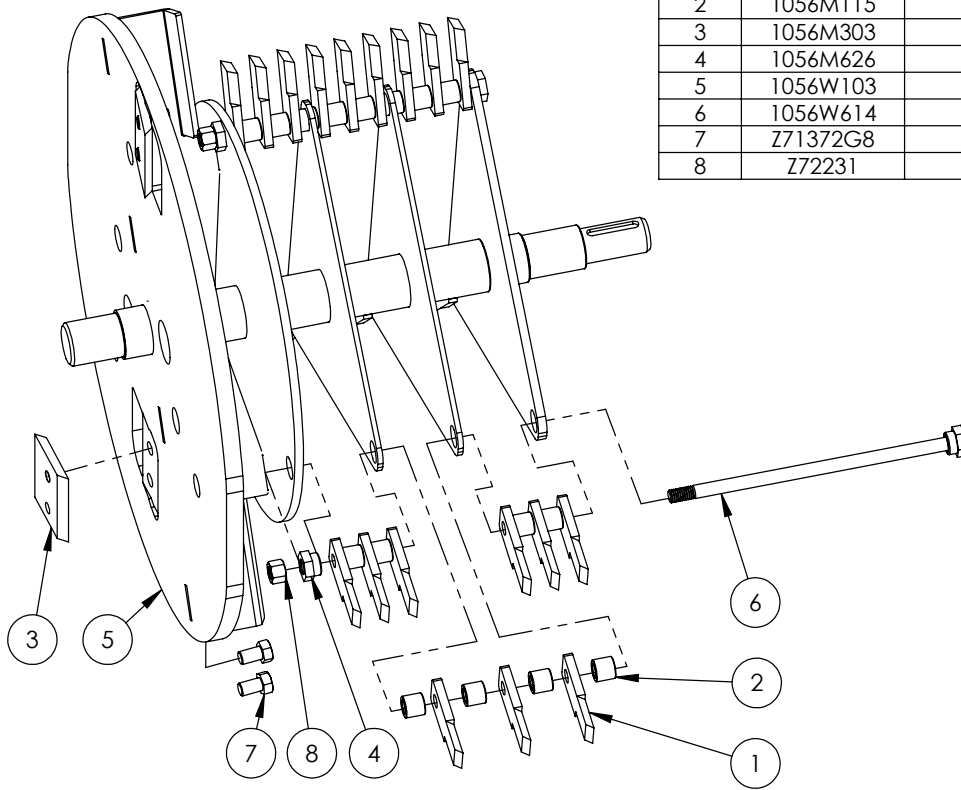
Table of Contents

Rotor Parts Breakdown	5
Main Parts Breakdown	7
Driveline Parts Breakdown	8
Discharge Chute Parts Breakdown	9
Binacchi PTO Parts Breakdown	10
Decal Breakdown	12

This Page is Intentionally Blank

BXM32 ROTOR PARTS BREAKDOWN

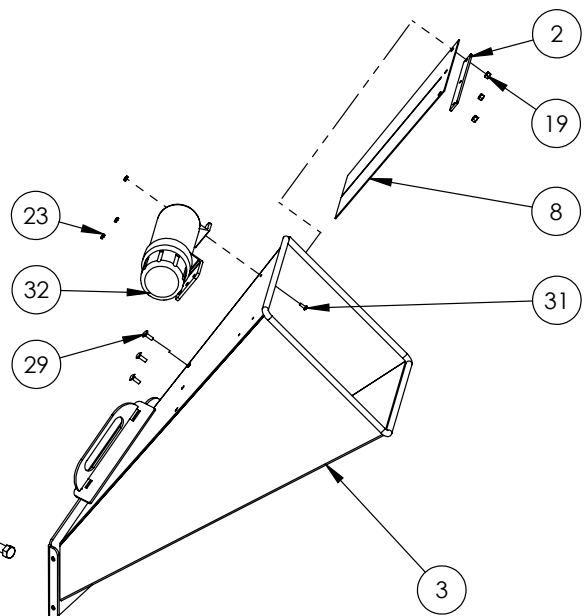
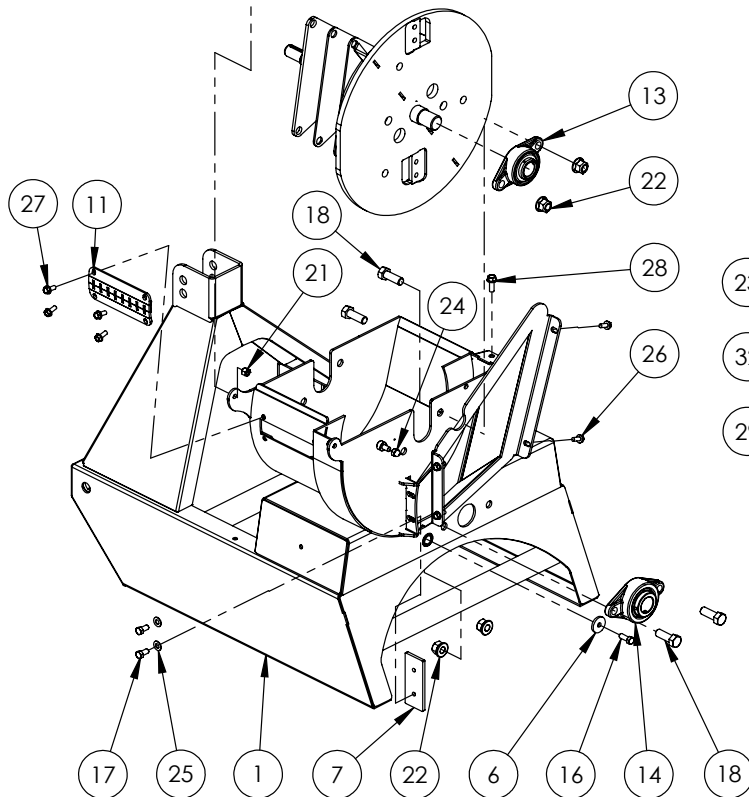
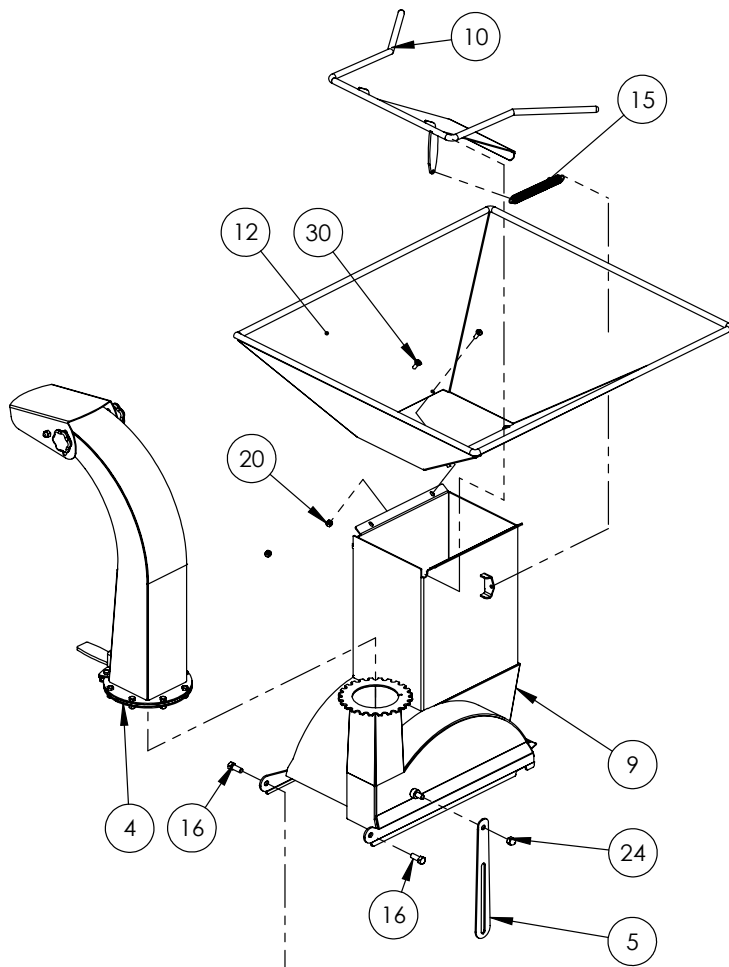
ITEM	PART NO.	Description	QTY.
1	1056M108	Knife,Shredder	27
2	1056M115	Spacer, Shredder .580	24
3	1056M303	Knife, 3" Rotor	2
4	1056M626	Retainer Rod Head	3
5	1056W103	Rotor	1
6	1056W614	Hammer Retainer Pin	3
7	Z71372G8	Hex Bolt, 3/8NF x 5/8 G8	4
8	Z72231	Hex Lock Nut 3/8NC	3



This Page is Intentionally Blank

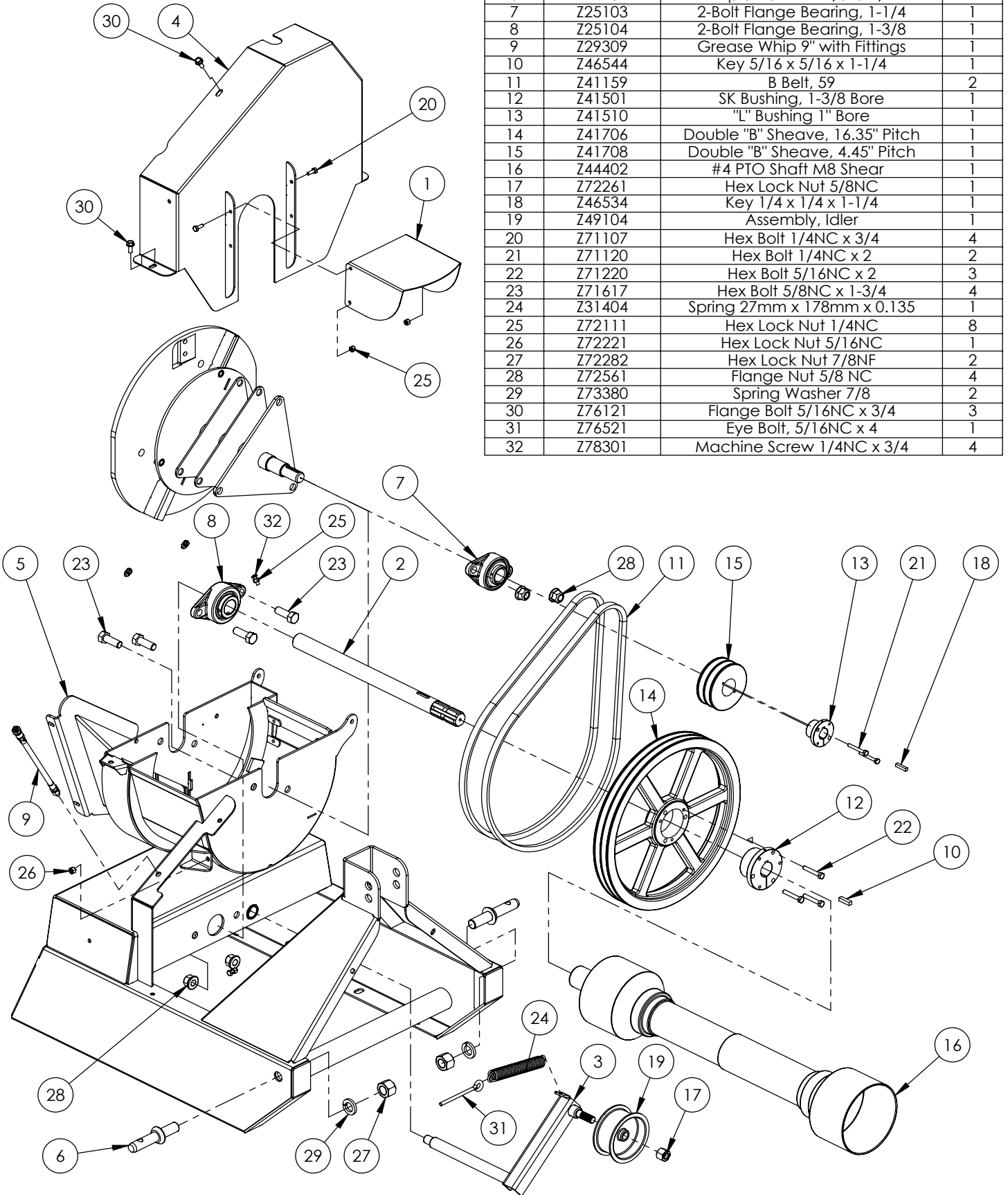
BXM32 MAIN PARTS BREAKDOWN

ITEM	PART NO.	Description	QTY.
1	1017W720	Housing, Bottom Rotor	1
2	1018L994	Chipper Chute Flap Clamp	1
3	1018W107	Chipper Chute	1
4	1056A302	Assembly, Discharge Chute	1
5	1056L229	Positive Stop Plate	1
6	1056L968	Washer, Idler Capture	1
7	1056M304	Knife, 3" Ledger	1
8	1056S604	Flap, Hopper	1
9	1056W102	Housing, Upper Rotor	1
10	1056W107	Shredder, Chute Flapper	1
11	1056W610	Concave	1
12	1056W617	Hopper Shredder Top	1
13	Z25103	2-Bolt Flange Bearing, 1-1/4	1
14	Z25104	2-Bolt Flange Bearing, 1-3/8	1
15	Z31301	Spring 17mm x 140mm Medium	1
16	Z71310	Hex Bolt 3/8NC x 1	3
17	Z71373G8	Hex Bolt 3/8NF x 3/4 Gr8	2
18	Z71617	Hex Bolt 5/8NC x 1-3/4	4
19	Z72111	Hex Lock Nut 1/4NC	3
20	Z72111	Hex Lock Nut 1/4NC	4
21	Z72231	Hex Lock Nut 3/8NC	2
22	Z72561	Flange Nut 5/8 NC	4
23	Z72752	Machine Nut, #10NF	3
24	Z72911	Acorn Nut, 3/8NC	2
25	Z73131	Washer, 3/8	2
26	Z76121	Flange Bolt 5/16NC x 3/4	4
27	Z76121	Flange Bolt 5/16NC x 3/4	4
28	Z76134	Flange Bolt, 3/8NC x 1	1
29	Z76211	Carriage Bolt 1/4NC x 3/4	3
30	Z78301	Machine Screw 1/4NC x 3/4	4
31	Z78303	Machine Screw #10NF x 1/2	3
32	Z96503	Manual Tube 3-1/2 Short	1



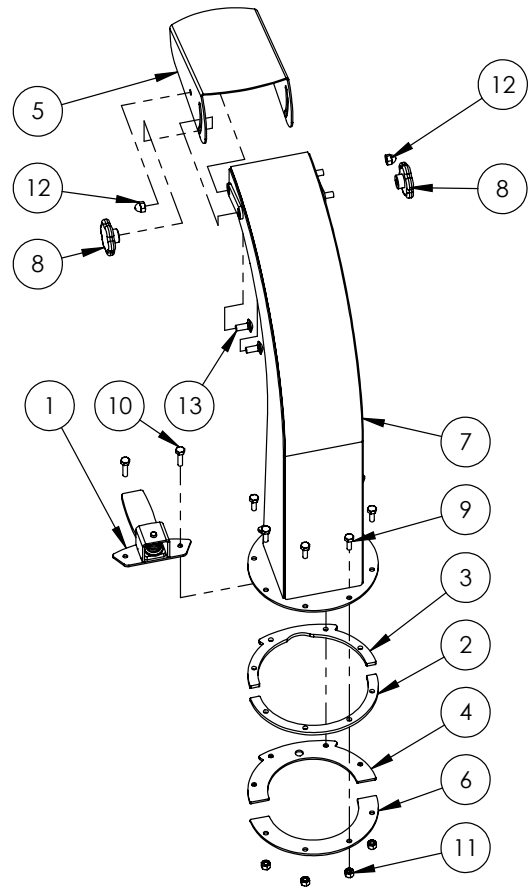
BXM32 DRIVELINE PARTS BREAKDOWN

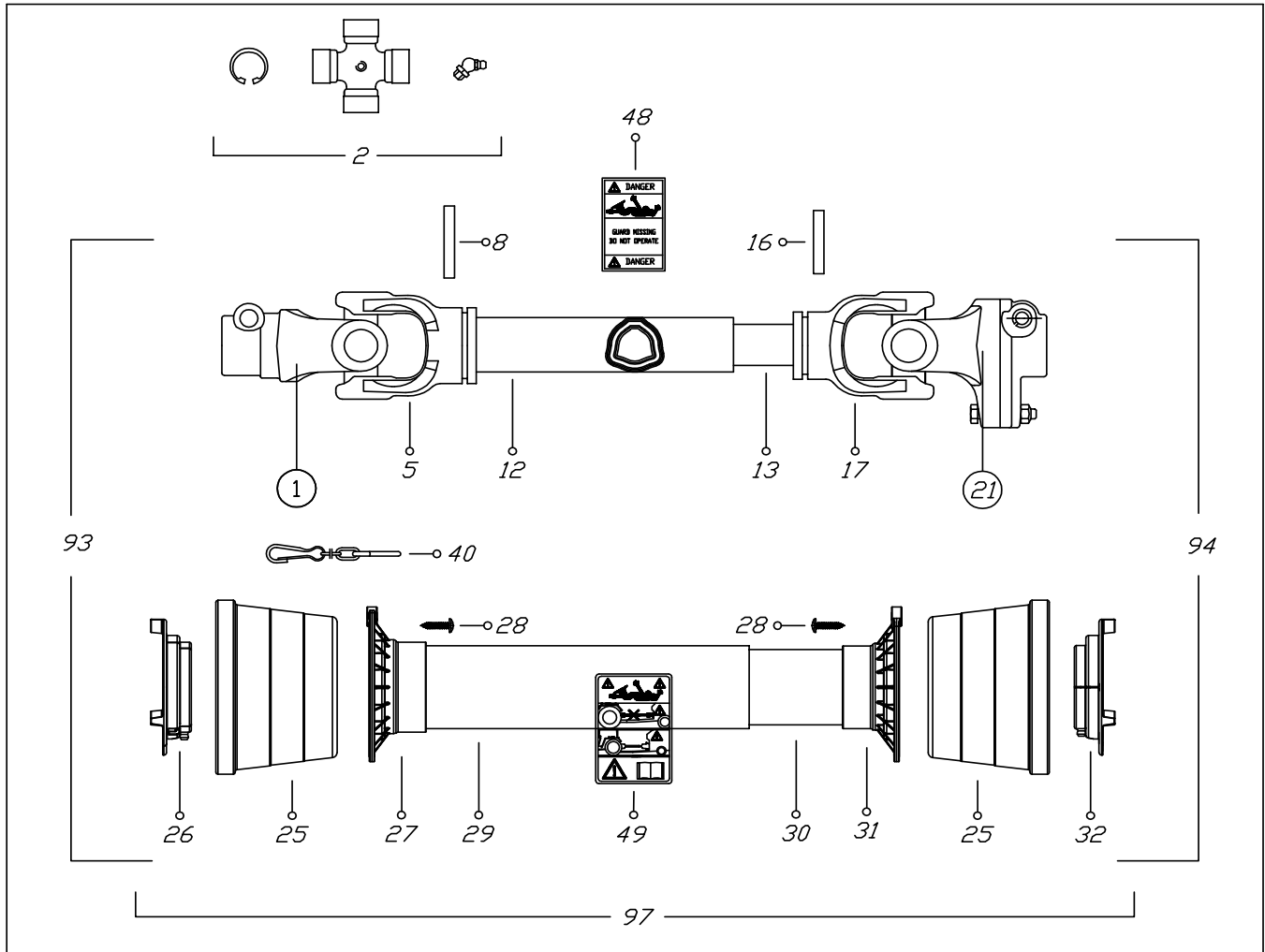
ITEM	PART NO.	Description	QTY.
1	1017L718	PTO Cover	1
2	1017M702	Shaft, Splined	1
3	1017W701	Idler Arm	1
4	1017W702	Shield	1
5	1017W720	Housing, Bottom Rotor	1
6	Z11431	Implement Pin 7/8x5-1/2	2
7	Z25103	2-Bolt Flange Bearing, 1-1/4	1
8	Z25104	2-Bolt Flange Bearing, 1-3/8	1
9	Z29309	Grease Whip 9" with Fittings	1
10	Z46544	Key 5/16 x 5/16 x 1-1/4	1
11	Z41159	B Belt, 59	2
12	Z41501	SK Bushing, 1-3/8 Bore	1
13	Z41510	"L" Bushing 1" Bore	1
14	Z41706	Double "B" Sheave, 16.35" Pitch	1
15	Z41708	Double "B" Sheave, 4.45" Pitch	1
16	Z44402	#4 PTO Shaft M8 Shear	1
17	Z72261	Hex Lock Nut 5/8NC	1
18	Z46534	Key 1/4 x 1/4 x 1-1/4	1
19	Z49104	Assembly, Idler	1
20	Z71107	Hex Bolt 1/4NC x 3/4	4
21	Z71120	Hex Bolt 1/4NC x 2	2
22	Z71220	Hex Bolt 5/16NC x 2	3
23	Z71617	Hex Bolt 5/8NC x 1-3/4	4
24	Z31404	Spring 27mm x 178mm x 0.135	1
25	Z72111	Hex Lock Nut 1/4NC	8
26	Z72221	Hex Lock Nut 5/16NC	1
27	Z72282	Hex Lock Nut 7/8NF	2
28	Z72561	Flange Nut 5/8 NC	4
29	Z73380	Spring Washer 7/8	2
30	Z76121	Flange Bolt 5/16NC x 3/4	3
31	Z76521	Eye Bolt, 5/16NC x 4	1
32	Z78301	Machine Screw 1/4NC x 3/4	4



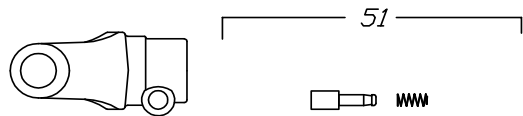
1056A302 PARTS BREAKDOWN

ITEM	PART NO.	Description	QTY.
1	1012W208	Assembly, Hood Latch	1
2	1056L327	Ring	1
3	1056L329	Plate, Spacer Ring	1
4	1056L330	Plate, Hood Closure	1
5	1056L333	Deflector, Discharge Chute	1
6	1056L334	Ring	1
7	1056W307	Discharge Chute	1
8	Z19313	Knob, 5/16NC Female Stud	2
9	Z71107	Hex Bolt 1/4NC x 3/4	6
10	Z71110	Hex Bolt 1/4NC x 1	2
11	Z72111	Hex Lock Nut 1/4NC	8
12	Z72914	Acorn Nut, 5/16NC	2
13	Z76221	Carriage Bolt 5/16NC x 3/4	4

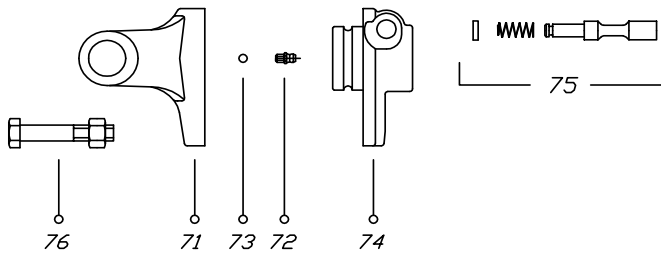




①



②①



VIETATE LE RIPRODUZIONI NON AUTORIZZATE
NOT PERMITTED AL RIGHTS RESERVED

TOUTE REPRODUCTION NON AUTORISEE EST INTERDITE
NICHT GENEHMIGTE VERVIELFÄLTUNGEN SIND UNZULÄSSIG

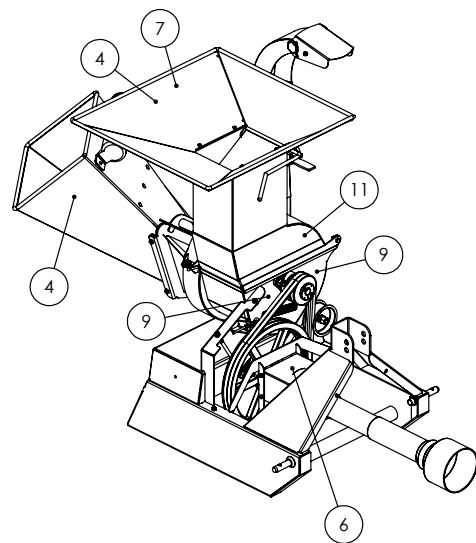
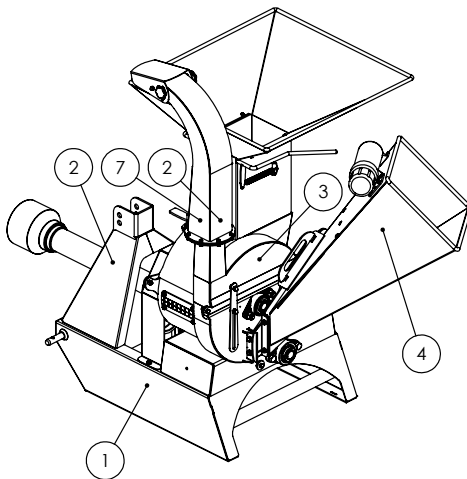
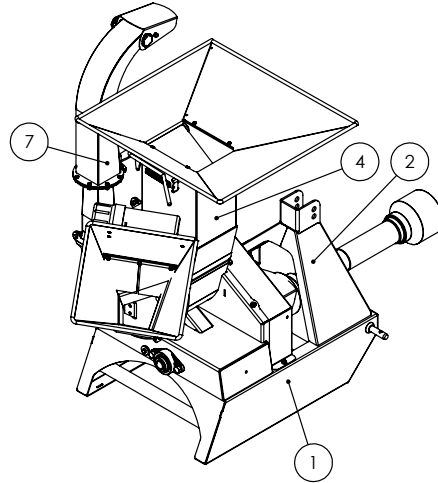
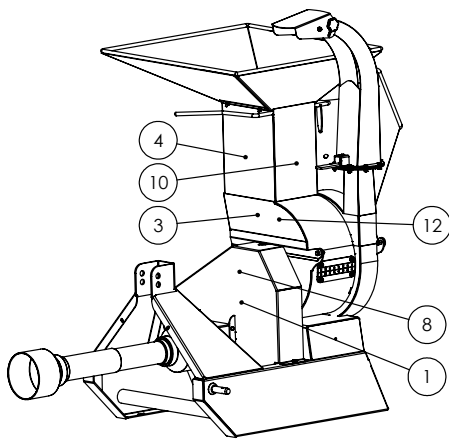
CODICE C.E.D.
B4N061USA60098

DATA
25/03/10

Binacchi SPARE PARTS LIST : B5D056US098001			
POS.	DESCRIPTION	Q.	Part #
01	YOKE	1	0800503
02	CROSS JOURNAL ASS.	2	08205
05	OUTER TUBE YOKE	1	08005021
08	FLEXIBLE PIN	1	098701075
12	CM. 100 CARDAN TUBE(*)	1	09881523100
13	CM. 100 CARDAN TUBE(*)	1	09881454100
16	FLEXIBLE PIN	1	0987001065
17	INNER TUBE YOKE	1	08005011
21	SHEAR BOLT	1	08805A604633
25	CONE SHIELD BELL 05-06	2	021906C001
26	OUTER BEARING 05	1	025505C001
27	OUTER BASE CONE 05-06	1	025406C001
28	SCREW	6	0998052242
29	OUTER SAFETY TUBE	1	0988981NB5056
30	INNER SAFETY TUBE	1	0988975NB5056
31	INNER BASE CONE 05-06	1	025406C002
32	INNER BEARING 05	1	025505C002
40	CHAIN	1	0252000001
48	LABEL DANGER OUTER DRIVE TUBE	1	09872006
49	EXTERNAL SHIELD LABEL	1	09872003
51	COMPLETE PUSH BUTTTON	1	0986014047
71	YOKE FOR LB5	1	08896905
72	GREASE NIPPLE	1	0984010150
73	STEEL BALL	23	098680104
74	HUB	1	088965A60
75	PUSH PIN SET	1	0986014075
76	NUT AND BOLT M10 x 1.5 x 55 10.9	1	Z19407 (5 Pack)
93	OUTER HALF SHAFT	1	B5056US2
94	INNER HALF SHAFT	1	B5056US1098001
97	SAFETY GUARD	1	083US05056

BXM32 TWO PANEL DECAL BREAKDOWN

ITEM	PART NO.	DESCRIPTION	QTY
1	Z94056	WALLENSTEIN Decal	3
2	Z94019	1" Dia. Made In Canada	3
3	Z94060	BXM32 WALLENSTEIN	2
4	Z94120	DANGER - Rotating Blades	5
5	Z94119	CAUTION - Read Manual	1
6	Z94118	DANGER - Rotating Driveline Hazard	1
7	Z94117	DANGER - Thrown Object Hazard	3
8	Z94116	WARNING - Rotating Part Hazard	1
9	Z94127	DANGER - Missing Guard	2
10	Z94143	121 dB Noise Level	1
11	Z94144	RH Rotation	1
12	Z94145	LH Rotation	1



Two Panel Decals BXM32

Z94060



Z94019



Z94056



Z94143



Z94116



Z94118



Z94144



Z941445



Z94117



Z94127



Z94119



Z94120





WALLENSTEIN Products Manufactured by:

EMB MFG Inc.

4144 Boomer Line
St. Clements, Ontario
Canada N0B 2M0
Phone: 1-877-695-9283
Fax: 519-699-4146
www.embmfg.com