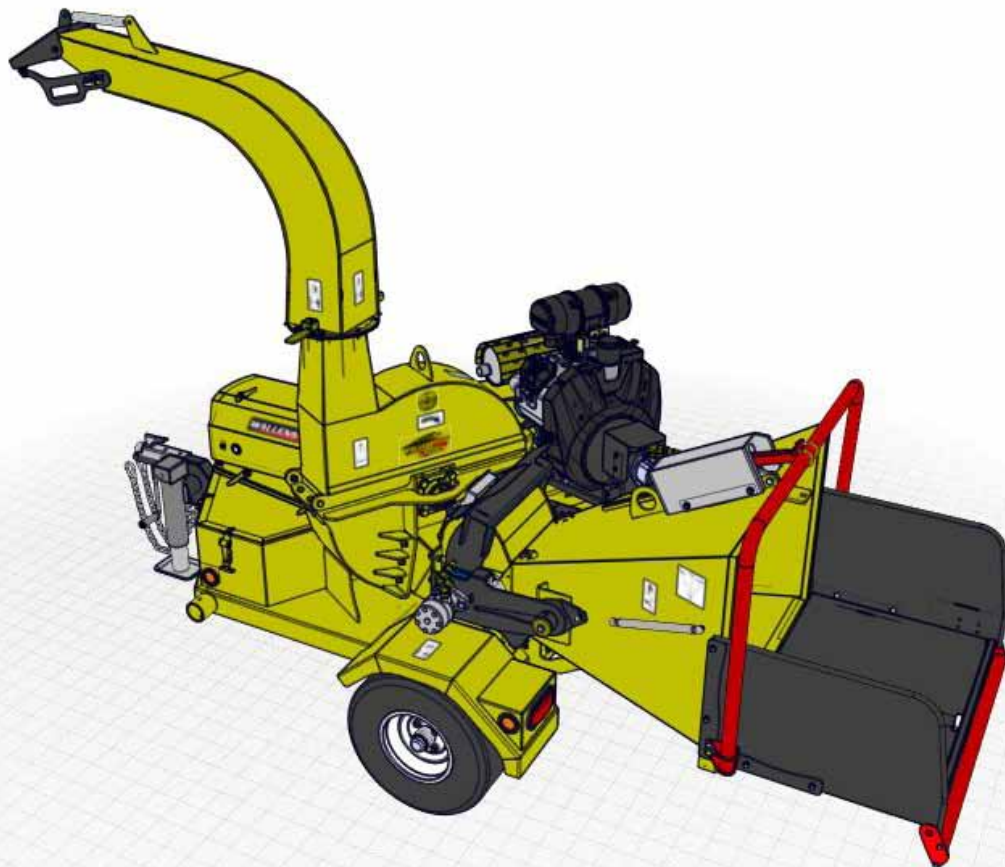


WALLENSTEIN

EMB Manufacturing Inc.
4144 Boomer Line · St. Clements, On · N0B 2M0 · Canada
Ph: (519) 699-9283 · Fax: (519) 699-4146
www.embmfg.com

CR60 Chipper Parts Manual

S/N 2E9US1118CS091093 to Current



Foreword

EMB Mfg. has prepared this parts manual to assist customers in ordering quality OEM replacement parts.

Proper and regular service and replacing old, worn or broken parts with the correct Wallenstein parts are essential to prolonging the life of your Wallenstein product. Please refer to this manual before ordering any replacement parts.

All information contained in this parts manual is based on the latest product specification available at the time of printing this manual. If your product differs from the specifications contained within this manual contact EMB Mfg. for information.

EMB reserves the right to alter specifications on their products at any time.

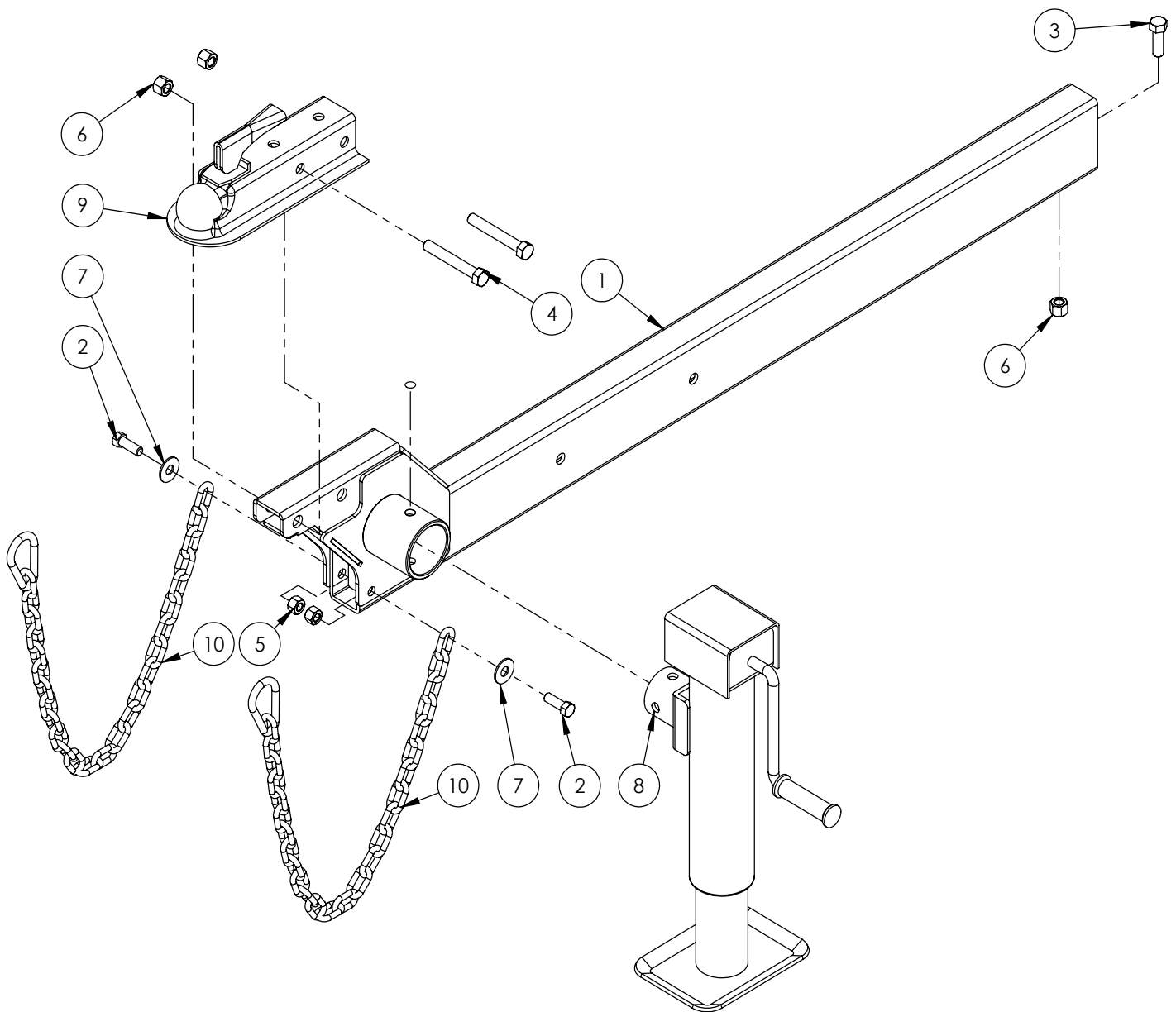
Reproduction of this parts manual of any kind is prohibited without prior written permission from EMB Mfg.

Note: Products with factory installed light kits will have a VIN number included. The last six numbers of this VIN number are the splitters serial number

Example: 2E9US1112BSXXXXXX

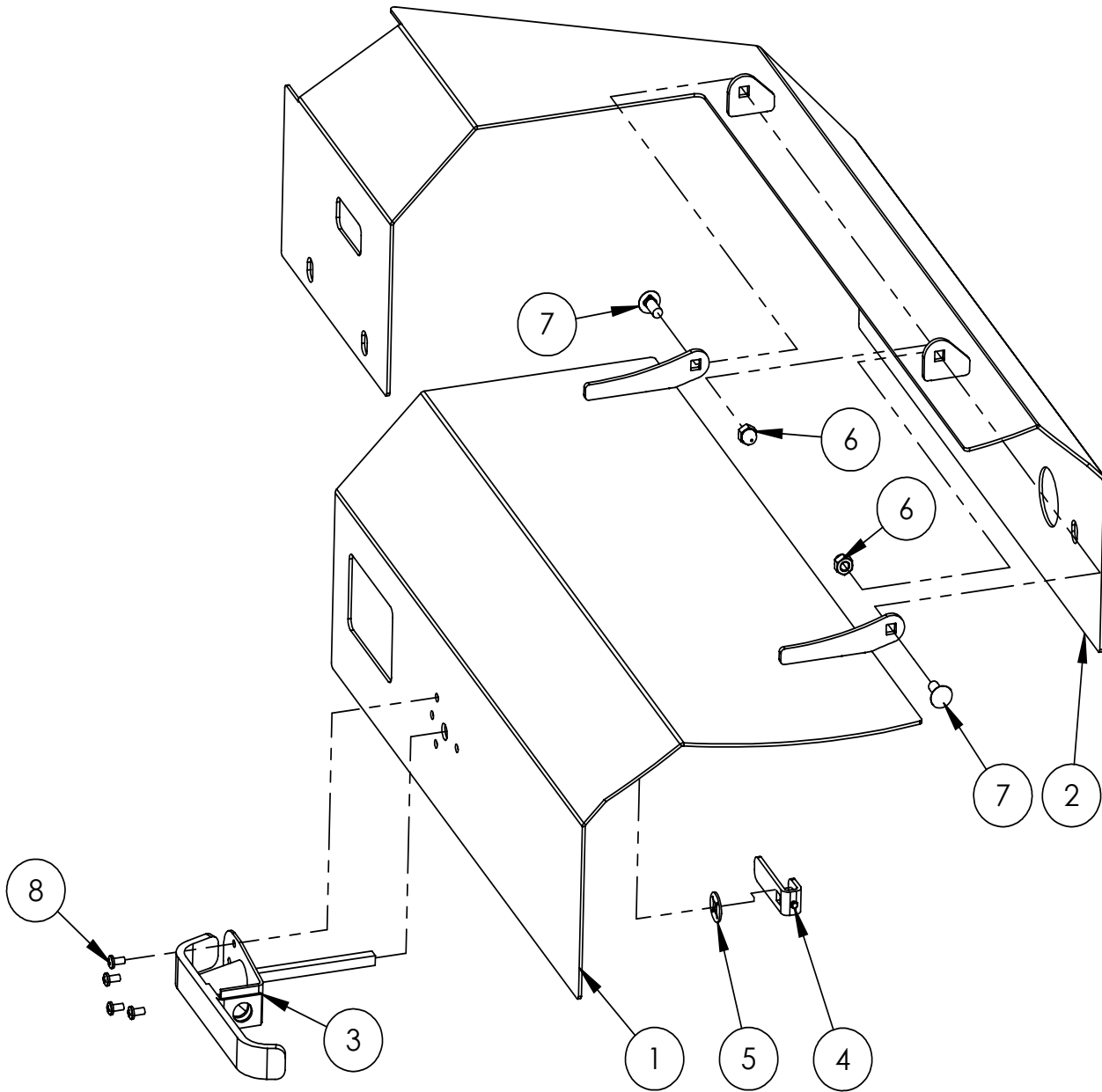
Table of Contents

Tongue and Hitch	4
Lockable Cowl	5
Hub	6
Discharge Hood	7
Blower Assembly	8
Drivetrain	9
Gas, Guards and Battery	10
Running Gear	11
Feed Control	12
Roller Hood	13
Upper Roller - LH Side	14
Upper Roller - RH Side	15
Lower Feed Roll	16
Feed Table and Safety Bar	17
Electrical Hydraulic	18
Electrical Wiring Schematic	19
Pump Mount	20
Toolbox Lid	21
Hydraulic Oil Tank	22
Trailer Lights Wiring	23
3 Panel Label Layout	24
2 Panel Label Layout	25
Accessories	26
Manual	26

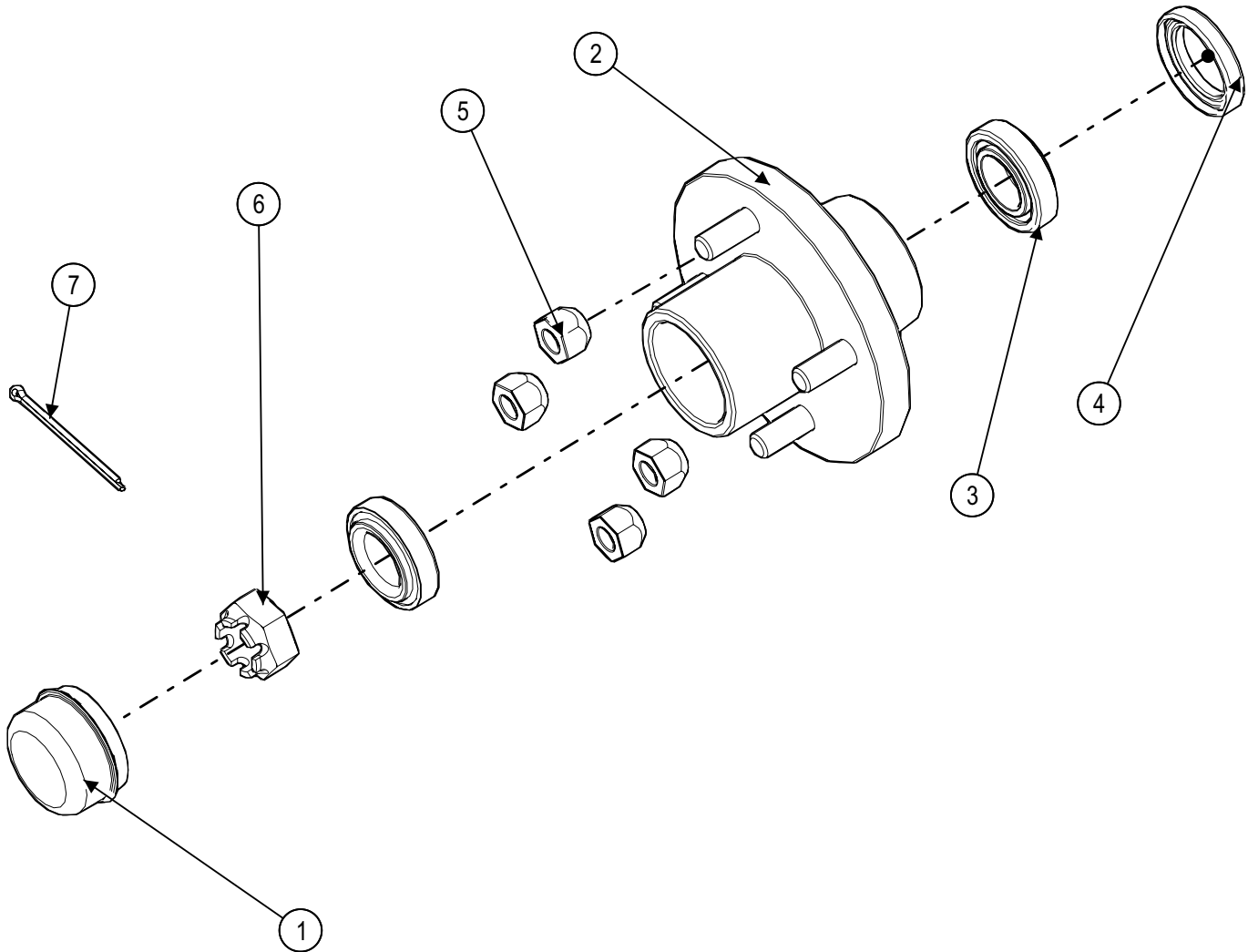


CR60 TONGUE AND HITCH PARTS

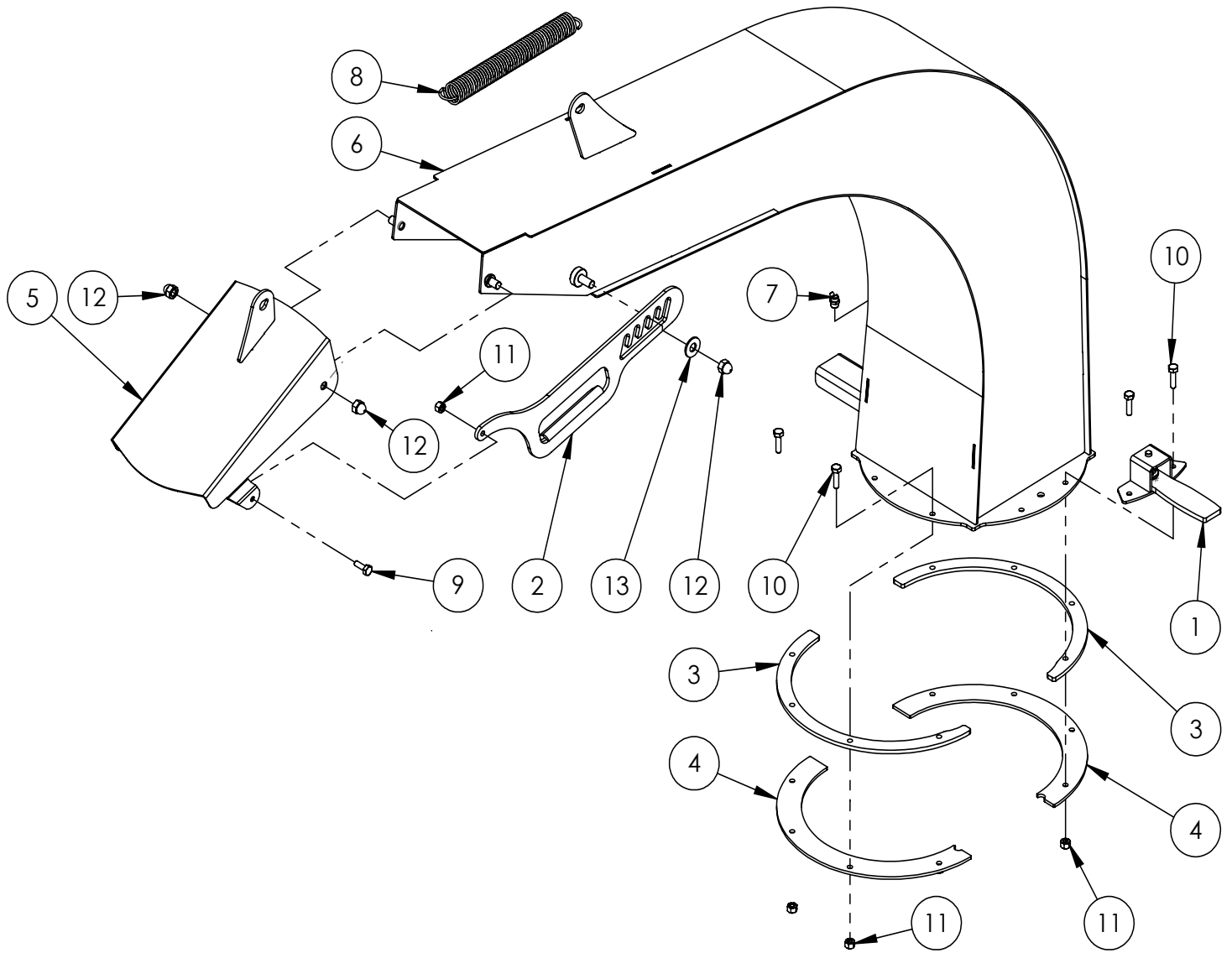
ITEM	PART NO.	DESCRIPTION	QTY
1	1054W401	Tongue Weldment	1
2	Z71412	Hex Bolt 7/16NC x 1-1/4	2
3	Z71515	Hex Bolt 1/2NC x 1-1/2	1
4	Z71535	Hex Bolt 1/2NC x 3-1/2	2
5	Z72240	Hex Lock Nut, 7/16NC	2
6	Z72251	Hex Lock Nut 1/2NC	3
7	Z73240	Wide Flat Washer 7/16	2
8	Z91512	Side-Wind 10" Swivel Jack	1
9	Z91614	2" Hitch Coupler	1
10	Z92307	Safety Chain 1/4 x 3'	2



CR60 LOCKABLE COWL PARTS			
ITEM	PART NO.	DESCRIPTION	QTY
1	1054W472	Weldment, Cowl Lid	1
2	1054W473	Base, Cowl	1
3	Z18203	Handle, Padlockable	1
4	Z18204	Cam, 5/16	1
5	Z18205	Tinnerman Nut, 5/16	1
6	Z72914	Acorn Nut, 5/16NC	2
7	Z76221	Carriage Bolt 5/16NC x 3/4	2
8	Z78302	Machine Screw #10NF x 3/8	4



HUB PARTS BREAKDOWN (1 - 1/16 SPINDLE)			
ITEM	PART NO.	DESCRIPTION	QTY
1	Z91801	Dust Cap 1.98 Bore	1
2	Z91201	1000 # 4-Bolt Hub	1
3	Z28302	L44649 Cone, L44610 Cup	2
4	Z28302	Double Lip Seal 1 -1/16 Spindle	1
5	Z72931	Lug Nut 1/2 NF	4
6	Z92694	1" Castle Nut	1
7	Z12322	2" x 3/16" Split Pin	1

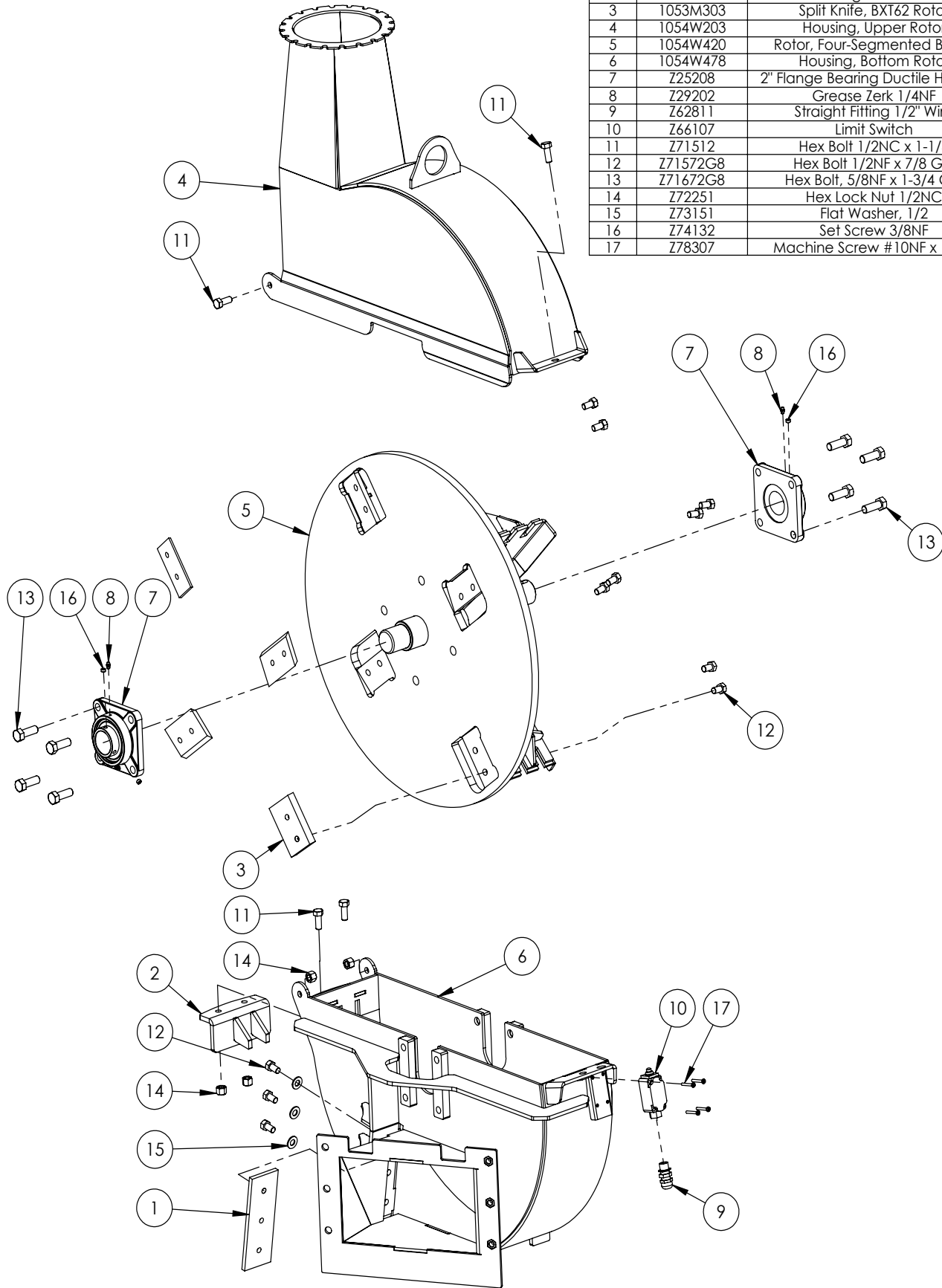


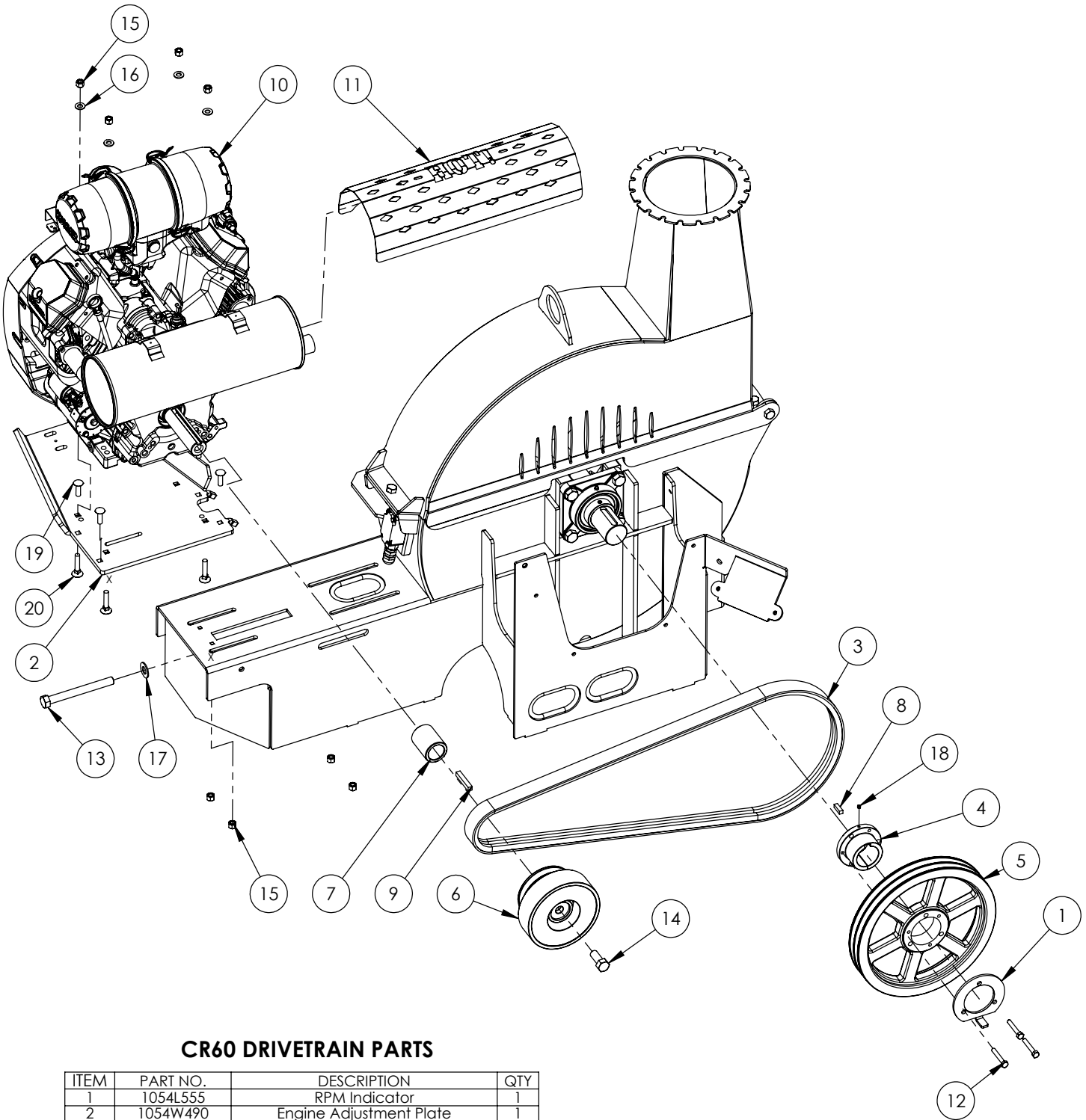
CR60 DISCHARGE HOOD PARTS

ITEM	PART NO.	DESCRIPTION	QTY
1	1012W208	Assembly, Hood Latch	1
2	1054L477	Adjuster, Chip Deflector	1
3	1054L535	Spacer Ring	2
4	1054L536	Hood Capture Ring	2
5	1054W205	Discharge Deflector	1
6	1054W470	Discharge Chute	1
7	Z29204	Grease Fitting, 1/8NPT x 45	1
8	Z31403	Spring 25mm x 178mm Heavy	1
9	Z71107	Hex Bolt 1/4NC x 3/4	1
10	Z71110	Hex Bolt 1/4NC x 1	8
11	Z72111	Hex Lock Nut 1/4NC	9
12	Z72911	Acorn Nut, 3/8NC	3
13	Z73230	Wide Flat Washer 3/8	1

CR60 BLOWER ASSEMBLY PARTS

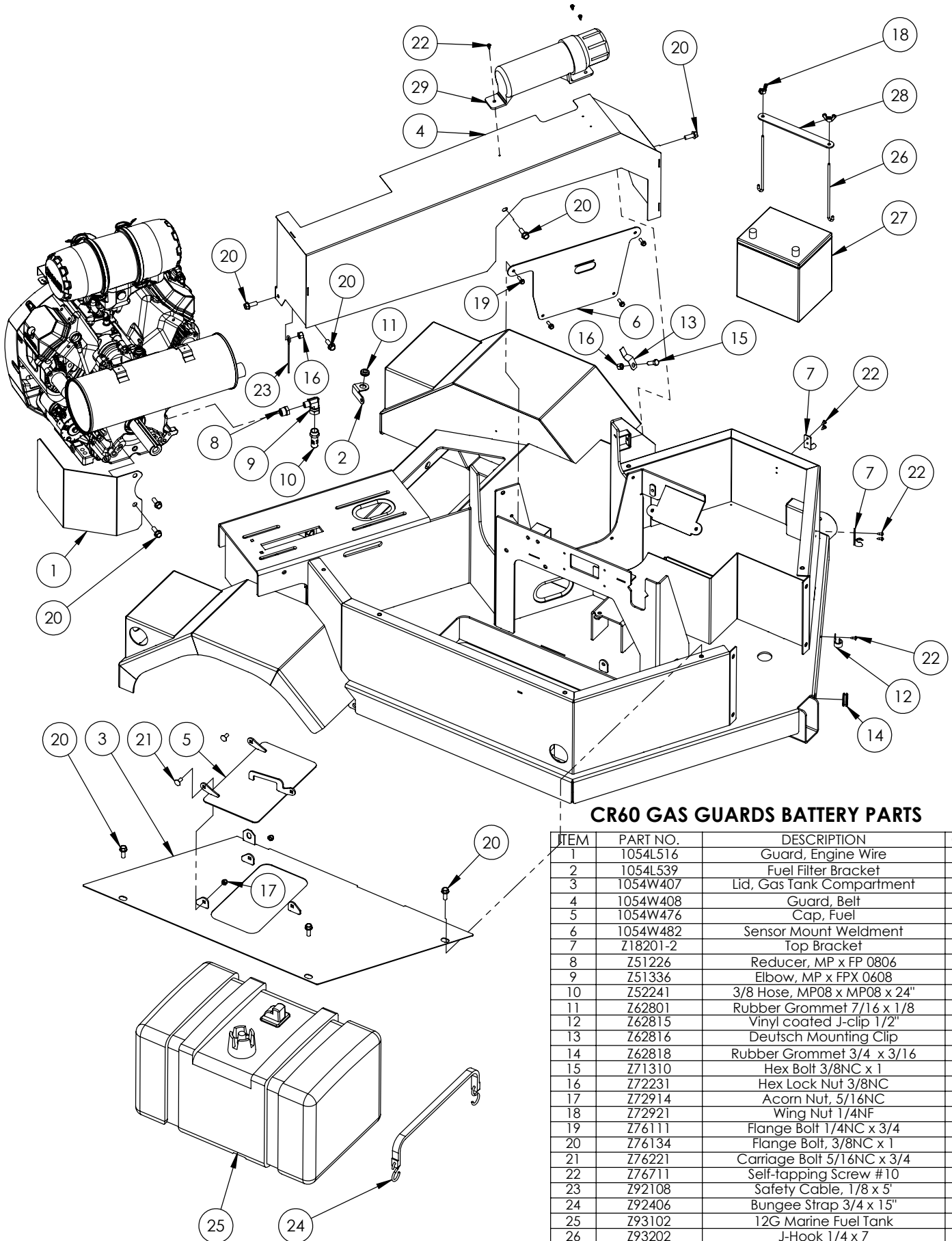
ITEM	PART NO.	DESCRIPTION	QTY
1	1012M204	Knife, BX62 Ledger	1
2	1012W204	Twig Breaker	1
3	1053M303	Split Knife, BXT62 Rotor	4
4	1054W203	Housing, Upper Rotor	1
5	1054W420	Rotor, Four-Segmented Blade	1
6	1054W478	Housing, Bottom Rotor	1
7	Z25208	2" Flange Bearing Ductile Housing	2
8	Z29202	Grease Zerk 1/4NF	2
9	Z62811	Straight Fitting 1/2" Wire	1
10	Z66107	Limit Switch	1
11	Z71512	Hex Bolt 1/2NC x 1-1/4	5
12	Z71572G8	Hex Bolt 1/2NF x 7/8 Gr8	11
13	Z71672G8	Hex Bolt, 5/8NF x 1-3/4 Gr8	8
14	Z72251	Hex Lock Nut 1/2NC	4
15	Z73151	Flat Washer, 1/2	3
16	Z74132	Set Screw 3/8NF	4
17	Z78307	Machine Screw #10NF x 1-1/2	4





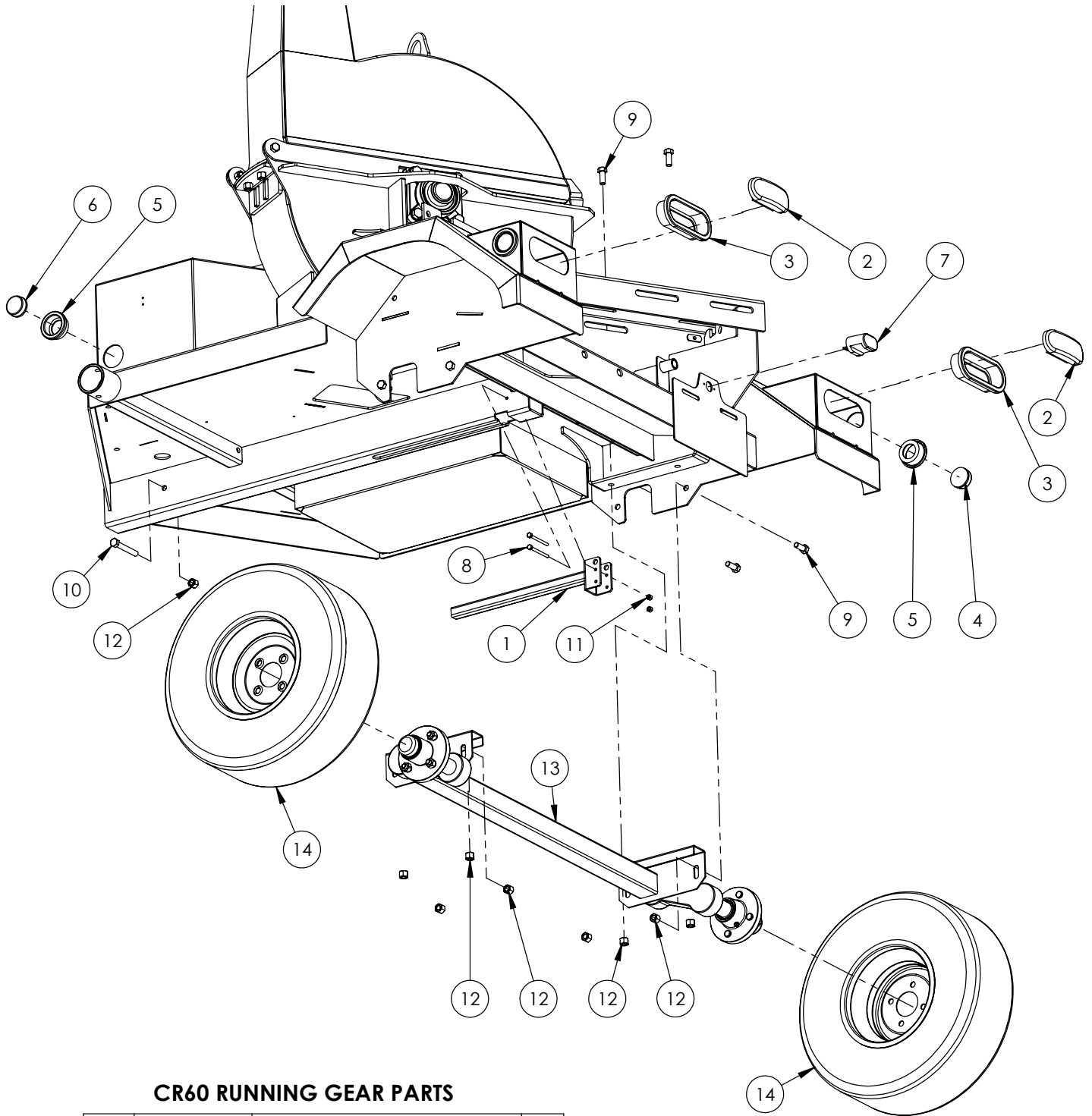
CR60 DRIVETRAIN PARTS

ITEM	PART NO.	DESCRIPTION	QTY
1	1054L555	RPM Indicator	1
2	1054W490	Engine Adjustment Plate	1
3	Z41259	Belt, Double "B" x 77"	1
4	Z41512	SK Bushing, 2 Bore	1
5	Z41702	Double "B" Sheave, 12.75" Pitch	1
6	Z41903	Clutch 1-7/16" BorexDbl"B" 4.6P	1
7	Z46354	Spacer 1-7/16 x 2.625	1
8	Z46542	Key 5/16 x 5/16 x 1	1
9	Z46556	Key 3/8 x 3/8 x 2-1/4	1
10	Z47501	Kohler CH980 38HP	1
11	Z47505	Muffler Guard, Kohler 38hp	1
12	Z71220	Hex Bolt 5/16NC x 2	3
13	Z71660	Hex Bolt 5/8NC x 6	1
14	Z71671	Hex Bolt 5/8NF x 1-1/2	1
15	Z72231	Hex Lock Nut 3/8NC	8
16	Z73130	Flat Washer 3/8	4
17	Z73160	Flat Washer 5/8	1
18	Z74110	Set Screw 1/4NC	1
19	Z76232	Carriage Bolt 3/8NC x 1-1/4	4
20	Z76632	Plow Bolt 3/8NC x 2	4



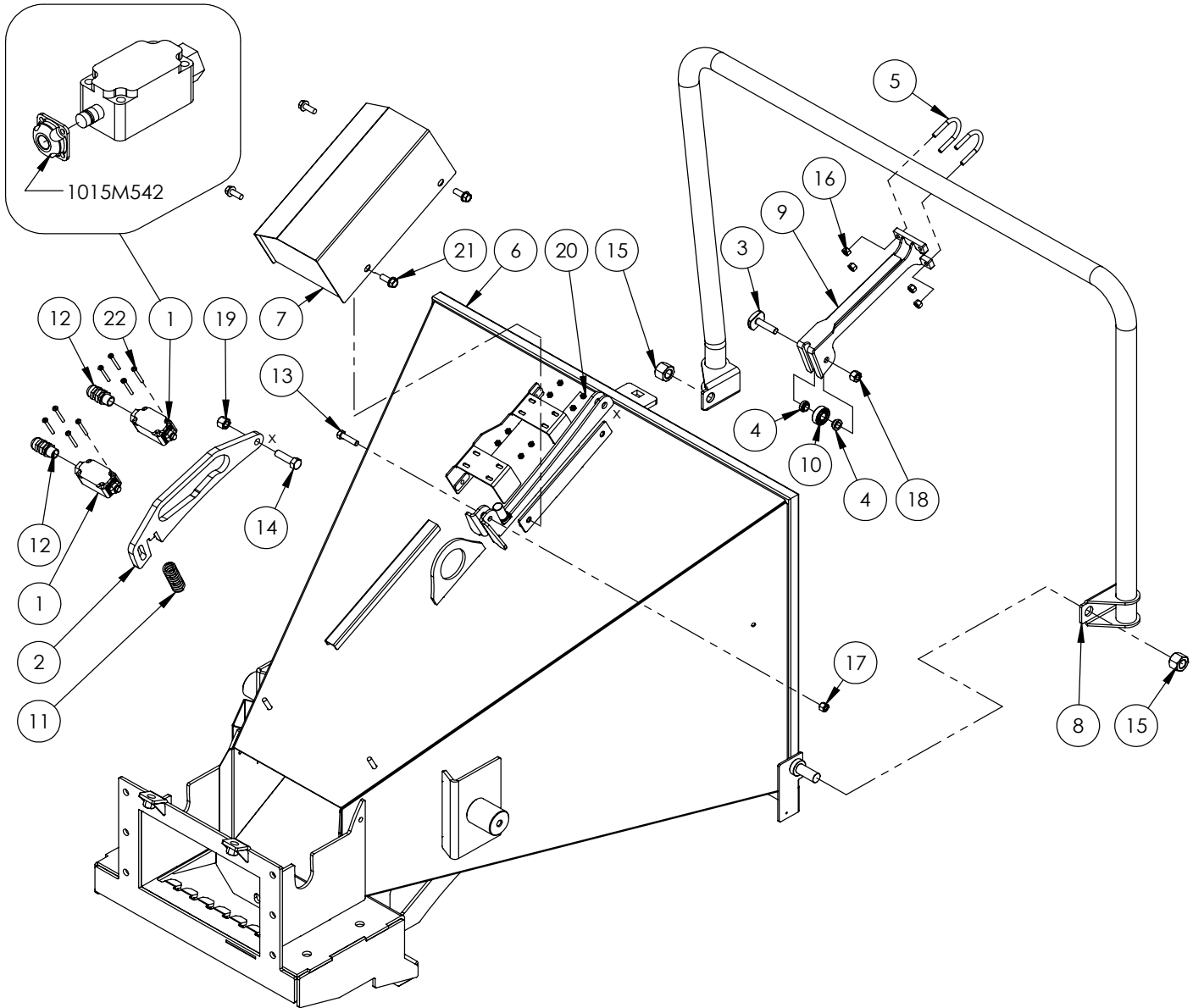
CR60 GAS GUARDS BATTERY PARTS

ITEM	PART NO.	DESCRIPTION	QTY
1	1054L516	Guard, Engine Wire	1
2	1054L539	Fuel Filter Bracket	1
3	1054W407	Lid, Gas Tank Compartment	1
4	1054W408	Guard, Belt	1
5	1054W476	Cap, Fuel	1
6	1054W482	Sensor Mount Weldment	1
7	Z18201-2	Top Bracket	2
8	Z51226	Reducer, MP x FP 0806	1
9	Z51336	Elbow, MP x FPX 0608	1
10	Z52241	3/8 Hose, MP08 x MP08 x 24"	1
11	Z62801	Rubber Grommet 7/16 x 1/8	1
12	Z62815	Vinyl coated J-clip 1/2"	1
13	Z62816	Deutsch Mounting Clip	1
14	Z62818	Rubber Grommet 3/4 x 3/16	1
15	Z71310	Hex Bolt 3/8NC x 1	1
16	Z72231	Hex Lock Nut 3/8NC	2
17	Z72914	Acorn Nut, 5/16NC	2
18	Z72921	Wing Nut 1/4NF	2
19	Z76111	Flange Bolt 1/4NC x 3/4	4
20	Z76134	Flange Bolt, 3/8NC x 1	9
21	Z76221	Carriage Bolt 5/16NC x 3/4	2
22	Z76711	Self-tapping Screw #10	8
23	Z92108	Safety Cable, 1/8 x 5"	1
24	Z92406	Bungee Strap 3/4 x 15"	1
25	Z93102	12G Marine Fuel Tank	1
26	Z93202	J-Hook 1/4 x 7	2
27	Z93205	Car Battery	1
28	Z93207	Hold-Down Strap, 1 x 8-1/2	1
29	Z96503	Manual Tube 3-1/2 Short	1



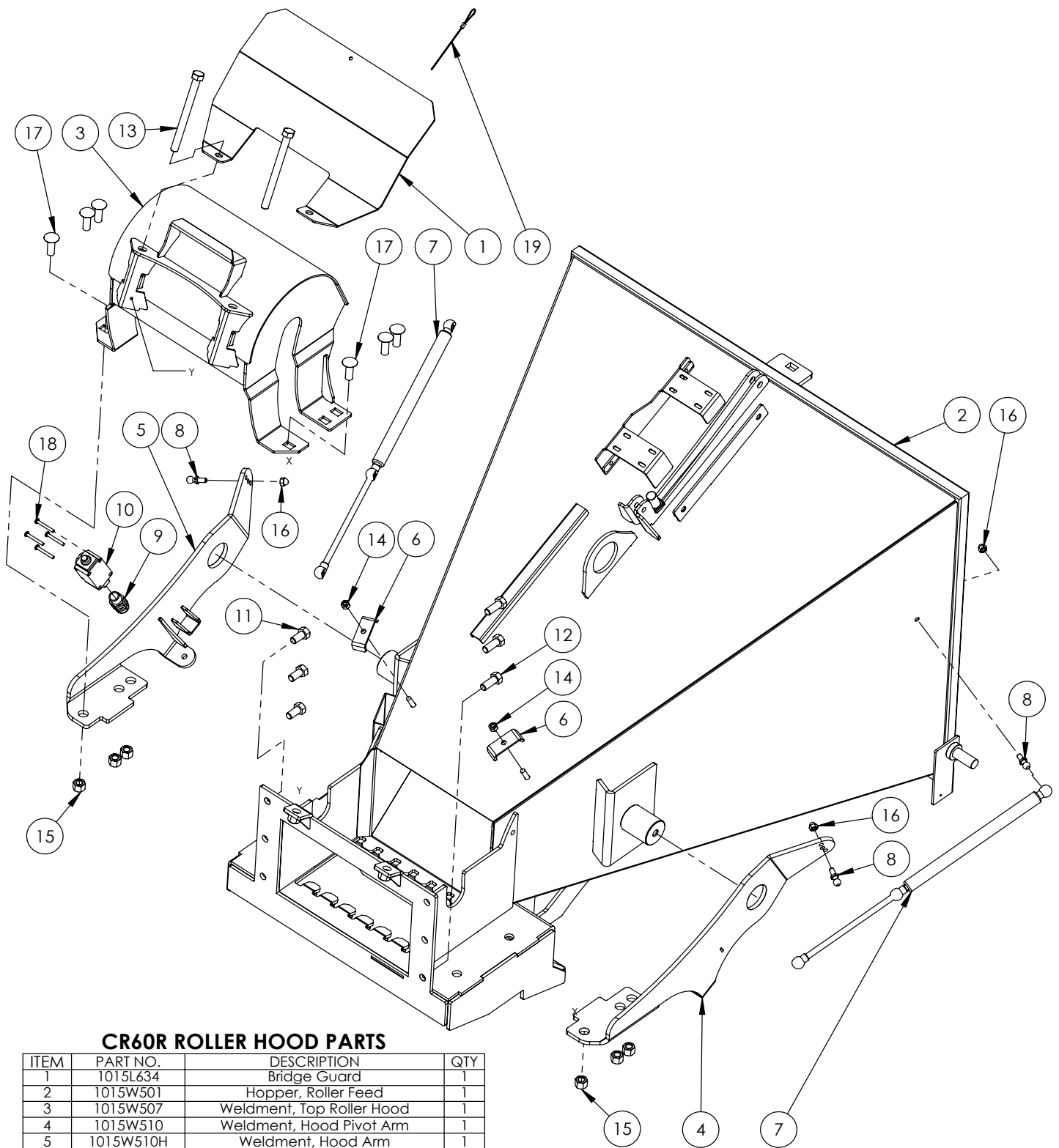
CR60 RUNNING GEAR PARTS

ITEM	PART NO.	DESCRIPTION	QTY
1	1054W406	Wire Protector Weldment	1
2	Z61102	Oval Light 2-1/4 x 6-1/4, Red	2
3	Z61103	Oval Grommet 2-1/2 x 6.76	2
4	Z61201	Round Marker Lamp 2" Red	2
5	Z61202	Round Grommet 2" Lamp	4
6	Z61205	Round Marker Lamp 2" Amber	2
7	Z61301	License Lamp	1
8	Z71130	Hex Bolt 1/4NC x 3	2
9	Z71512	Hex Bolt 1/2NC x 1-1/4	8
10	Z71535	Hex Bolt 1/2NC x 3-1/2	1
11	Z72111	Hex Lock Nut 1/4NC	2
12	Z72251	Hex Lock Nut 1/2NC	9
13	Z91115	#9 Torflex 2000# Axle with Hubs	1
14	Z91303	20.5x8-10 LRB USA Trail Solid	2



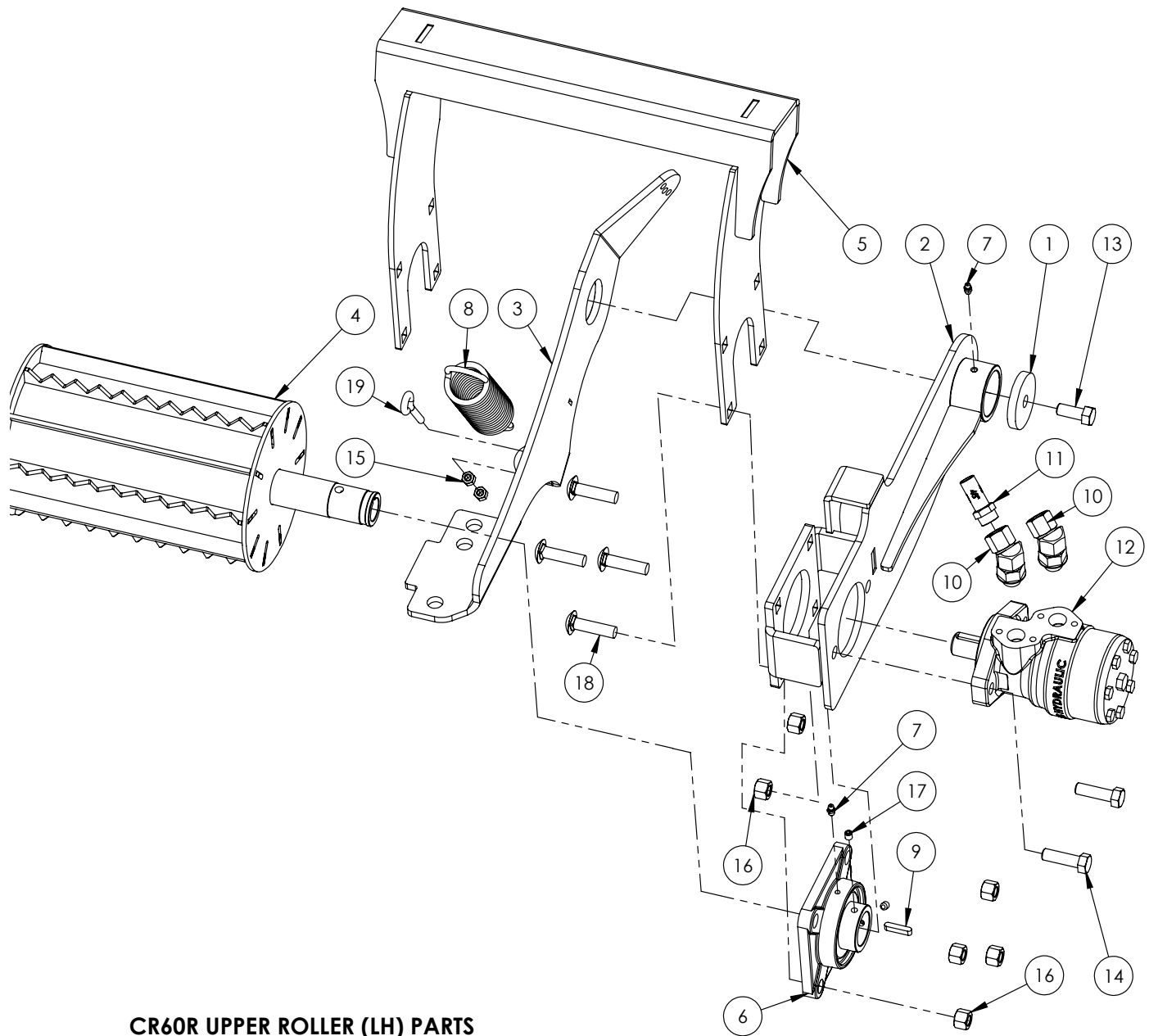
CR60R FEED CONTROL PARTS

ITEM	PART NO.	DESCRIPTION	QTY
1	1015A501	Metallic Head Limit Switch	2
2	1015L607	Detent Bar	1
3	1015M536	Bolt, Indicator Head	1
4	1015M537	Bushing, Bearing	2
5	1015S538	U-bolt, Bearing Adapter	2
6	1015W501	Hopper, Roller Feed	1
7	1015W515	Guard	1
8	1015W516	Handle, Feed Regulating	1
9	1015W517	Bearing Adapter	1
10	Z21203	Ball Bearing 6202 RS	1
11	Z32403	Spring 1 x 0.115 x 2-1/2	1
12	Z62811	Straight Fitting 1/2" Wire	2
13	Z71315	Hex Bolt, 3/8NC x 1-1/2	1
14	Z71517	Hex Bolt, 1/2NC x 1-3/4	1
15	Z72170	Hex Lock Nut 3/4NC	2
16	Z72221	Hex Lock Nut 5/16NC	4
17	Z72231	Hex Lock Nut 3/8NC	1
18	Z72240	Hex Lock Nut, 7/16NC	1
19	Z72251	Hex Lock Nut, 1/2NC	1
20	Z72752	Machine Nut, #10NF	8
21	Z76134	Flange Bolt, 3/8NC x 1	4
22	Z78311	Machine Screw, #10NF x 1-3/4	8



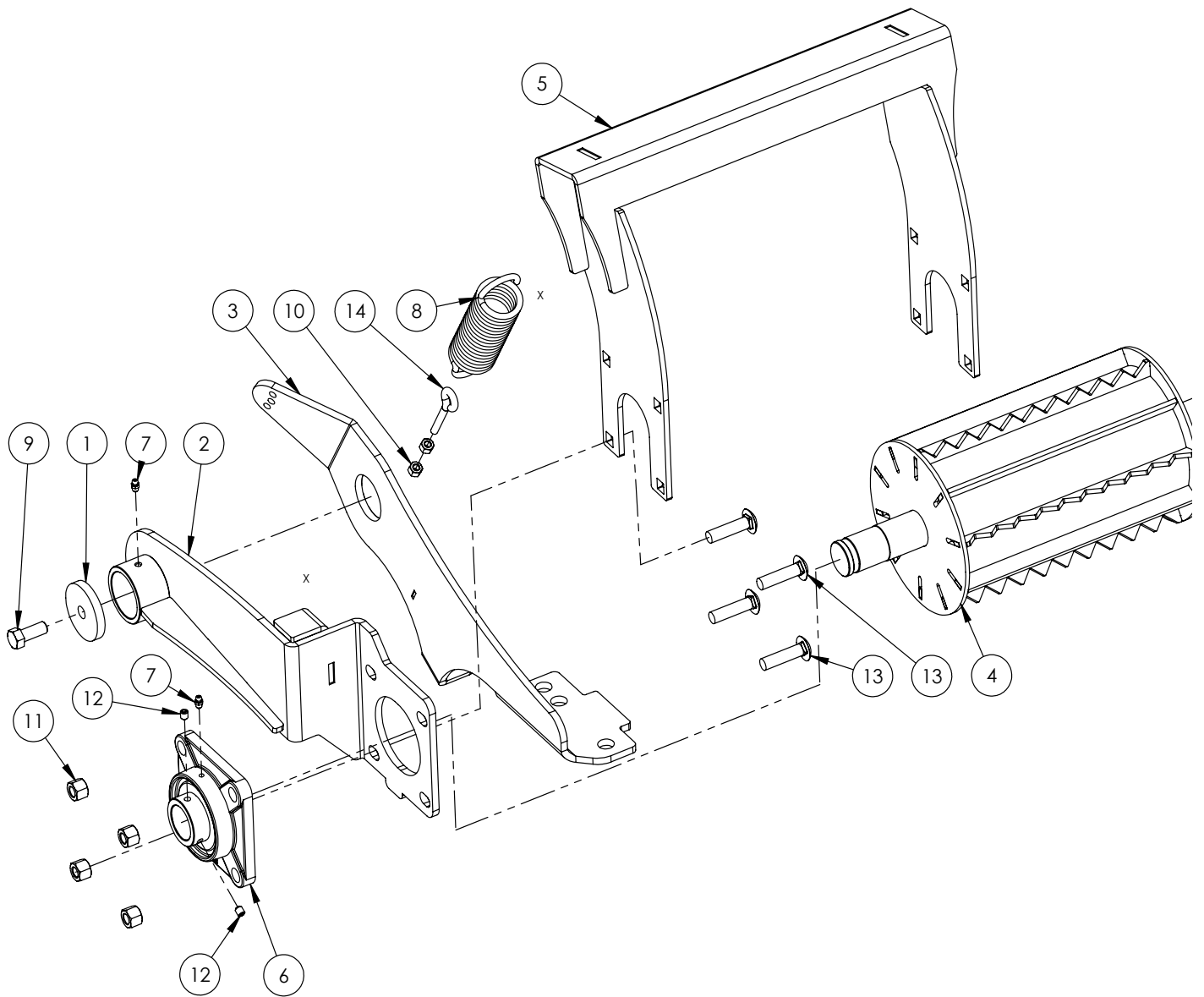
CR60R ROLLER HOOD PARTS

ITEM	PART NO.	DESCRIPTION	QTY
1	1015L634	Bridge Guard	1
2	1015W501	Hopper, Roller Feed	1
3	1015W507	Weldment, Top Roller Hood	1
4	1015W510	Weldment, Hood Pivot Arm	1
5	1015W510H	Weldment, Hood Arm	1
6	2054L412	Clamp, Two Hose	2
7	Z34203	Gas Spring, 10mm x 8.44 Stroke	2
8	Z34204	Ball Stud 13mm x 5/16	4
9	Z62811	Straight Fitting 1/2" Wire	1
10	Z66107	Limit Switch	1
11	Z71510	Hex Bolt 1/2NC x 1	3
12	Z71512	Hex Bolt 1/2NC x 1-1/4	3
13	Z71560	Hex Bolt 1/2NC x 6	2
14	Z72221	Hex Lock Nut 5/16NC	2
15	Z72251	Hex Lock Nut 1/2NC	6
16	Z72914	Acorn Nut, 5/16NC	4
17	Z76251	Carriage Bolt 1/2NC x 1-1/2	6
18	Z78307	Machine Screw #10NF x 1-1/2	4
19	Z92114	Safety Cable x 12"	1



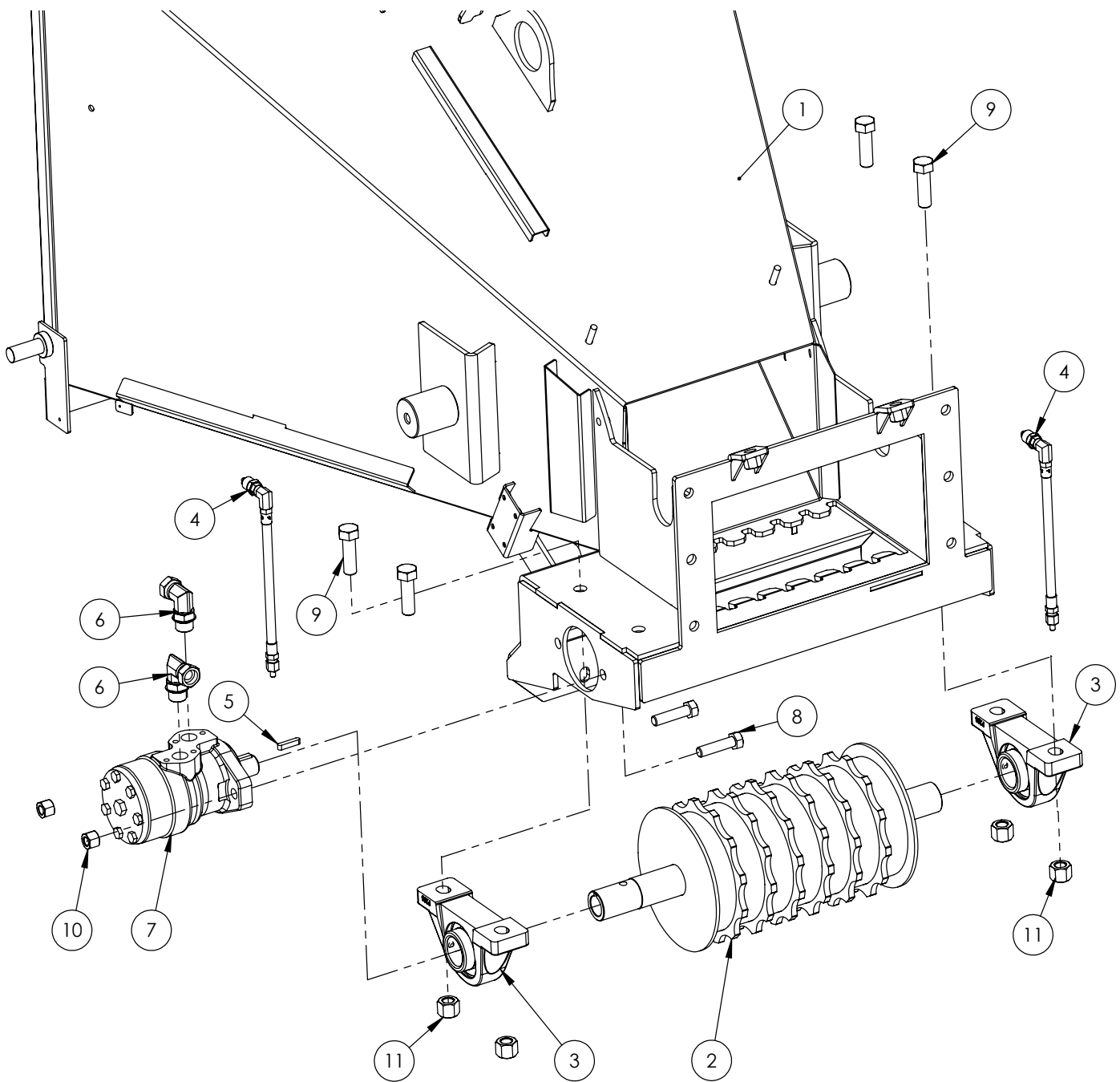
CR60R UPPER ROLLER (LH) PARTS

ITEM	PART NO.	DESCRIPTION	QTY
1	1015L618	Capture Washer	1
2	1015W502	Arm, Upper Roller	1
3	1015W510	Weldment, Hood Pivot Arm	1
4	1015W513	Roller, Upper Feed	1
5	1015W520	Bridge Weldment	1
6	Z25204	4-Bolt Bearing 1-1/2" Bore	1
7	Z29202	Grease Zerk 1/4NF	2
8	Z31501	Spring 2 x 7 Heavy	1
9	Z46594	Blind Chipper Key 1/4 x 1-1/4	1
10	Z51386	Elbow 45 MORB x FFX 1008	2
11	Z52239	3/8 Hose, MP08 x MP08 x 48"	1
12	Z54102	M&S Hydraulic Motor	1
13	Z71512	Hex Bolt 1/2NC x 1-1/4	1
14	Z71517	Hex Bolt, 1/2NC x 1-3/4	2
15	Z72221	Hex Lock Nut 5/16NC	2
16	Z72251	Hex Lock Nut 1/2NC	6
17	Z74121	Set Screw 5/16NC	2
18	Z76255	Carriage Bolt, 1/2NC x 2	4
19	Z76522	Eye Bolt 5/16NC x 2	1



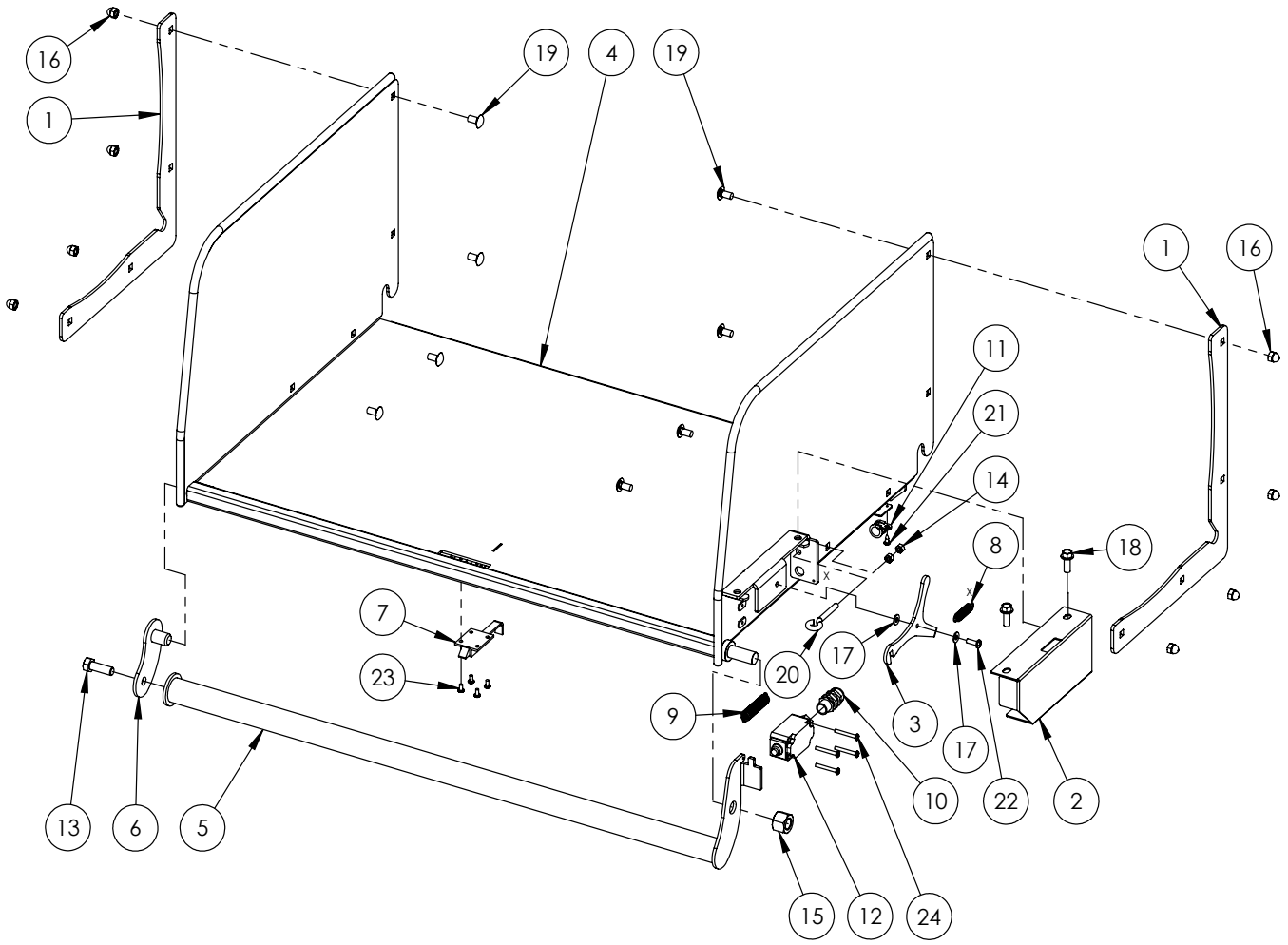
CR60R UPPER ROLLER PARTS (RH)

ITEM	PART NO.	DESCRIPTION	QTY
1	1015L618	Capture Washer	1
2	1015W508	Roller Arm, RH	1
3	1015W510H	Weldment, Hood Arm	1
4	1015W513	Roller, Upper Feed	1
5	1015W520	Bridge Weldment	1
6	Z25204	4-Bolt Bearing 1-1/2" Bore	1
7	Z29202	Grease Zerk 1/4NF	2
8	Z31501	Spring 2 x 7 Heavy	1
9	Z71512	Hex Bolt 1/2NC x 1-1/4	1
10	Z72221	Hex Lock Nut 5/16NC	2
11	Z72251	Hex Lock Nut 1/2NC	4
12	Z74121	Set Screw 5/16NC	2
13	Z76255	Carriage Bolt, 1/2NC x 2	4
14	Z76522	Eye Bolt 5/16NC x 2	1



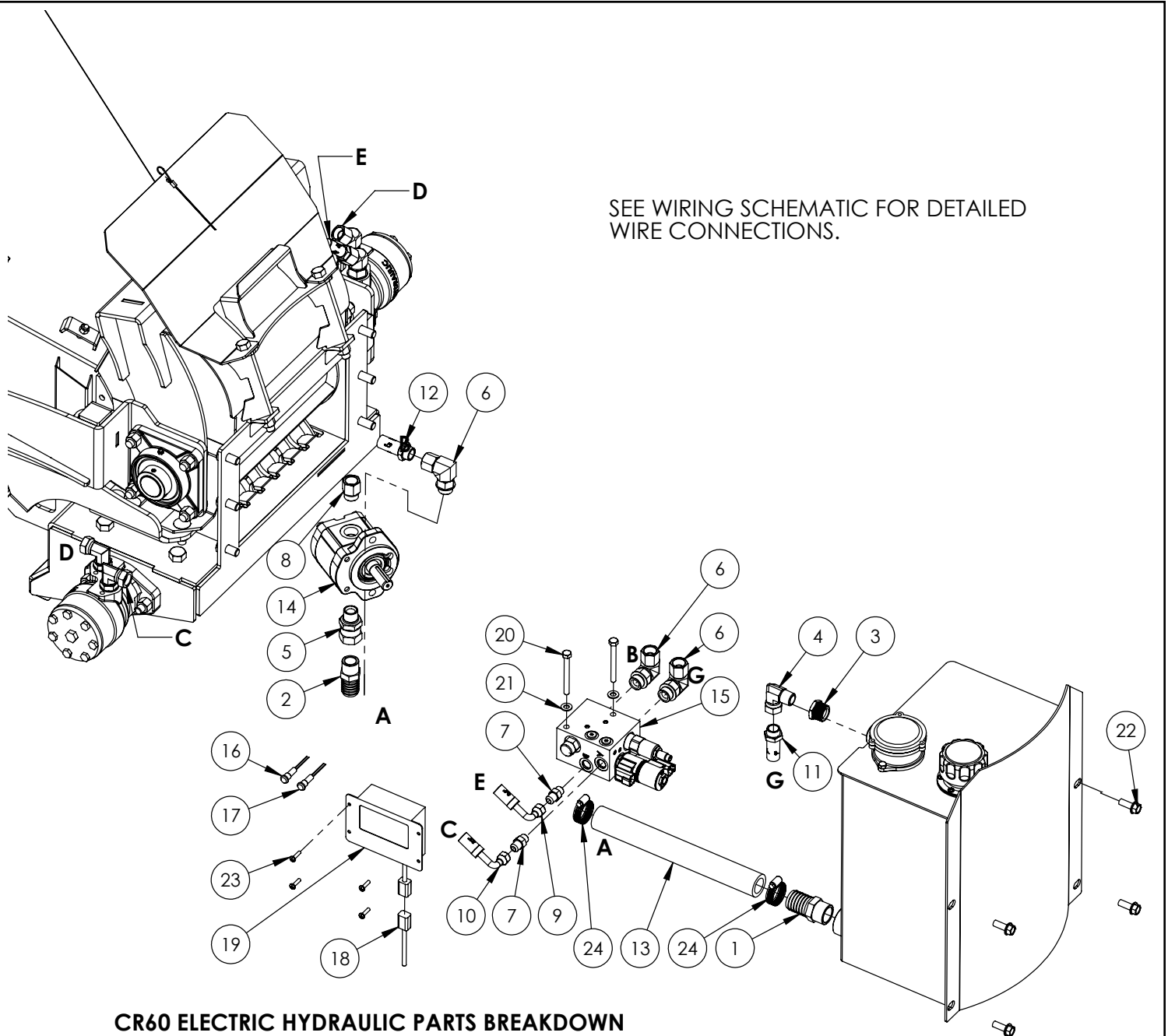
CR60R LOWER FEED ROLL PARTS

ITEM	PART NO.	DESCRIPTION	QTY
1	1015W501	Hopper, Roller Feed	1
2	1015W511	Roller, Lower Feed	1
3	Z24101	P208 Pillow Block 1-1/2	2
4	Z29310	Grease Whip 9' with Elbow Fittings	2
5*	Z46594*	Blind Chipper Key 1/4 x 1-1/4	1
6	Z51384	#10ORB x 1/2FNPT 90 Elbow	2
7	Z54102	M&S Hydraulic Motor	1
8	Z71520	Hex Bolt 1/2NC x 2	2
9	Z71620	Hex Bolt, 5/8NC x 2	4
10	Z72251	Hex Lock Nut 1/2NC	2
11	Z72261	Hex Lock Nut 5/8NC	4



CR60R FEED TABLE AND SAFETY BAR PARTS

ITEM	PART NO.	DESCRIPTION	QTY
1	1015L559	Brace, Table Capture	2
2	1015L581	Guard, Panic Spring	1
3	1015L584	Lever, Panic Reset	1
4	1015W506	Table, Fold-Down	1
5	1015W509	Panic Bar	1
6	1015W512	Weldment, Panic Bar Trap	1
7	Z18202	Latch, Finger Pull	1
8	Z31201	Spring 1/2 x 1-1/2 x .048	1
9	Z31305	Spring 5/8 x 3" Medium	1
10	Z62811	Straight Fitting 1/2" Wire	1
11	Z62819	Rubberized Wire Clamp, 1/2"	1
12	Z66107	Limit Switch	1
13	Z71515	Hex Bolt 1/2NC x 1-1/2	1
14	Z72111	Hex Lock Nut 1/4NC	2
15	Z72170	Hex Lock Nut 3/4NC	1
16	Z72911	Acorn Nut, 3/8NC	8
17	Z73111	Flat Washer, 1/4	2
18	Z76134	Flange Bolt, 3/8NC x 1	2
19	Z76233	Carriage Bolt 3/8NC x 3/4	8
20	Z76522	Eye Bolt 5/16NC x 2	1
21	Z76711	Self-tapping Screw #10	1
22	Z78301	Machine Screw 1/4NC x 3/4	1
23	Z78302	Machine Screw #10NF x 3/8	4
24	Z78307	Machine Screw #10NF x 1-1/2	4

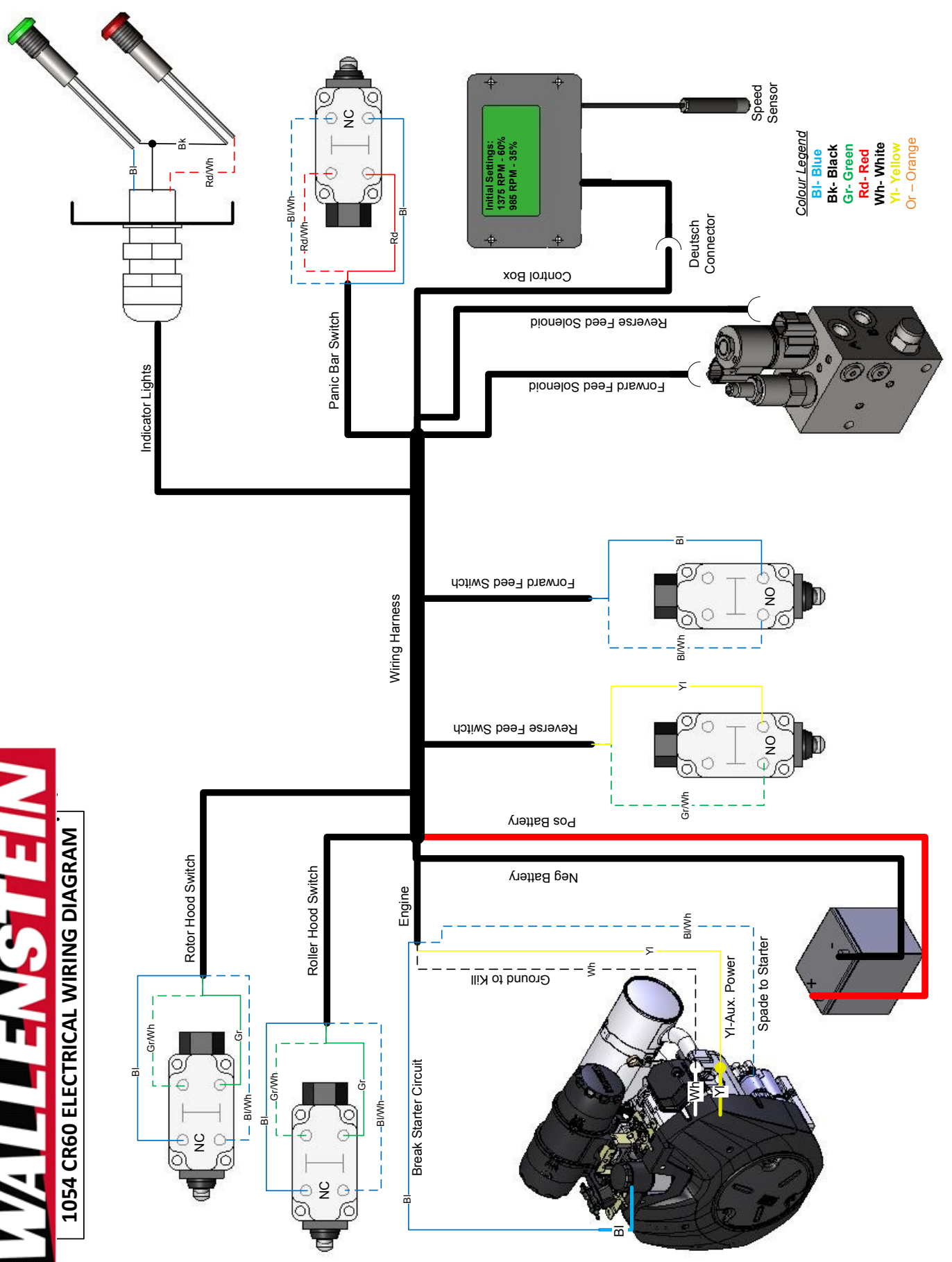


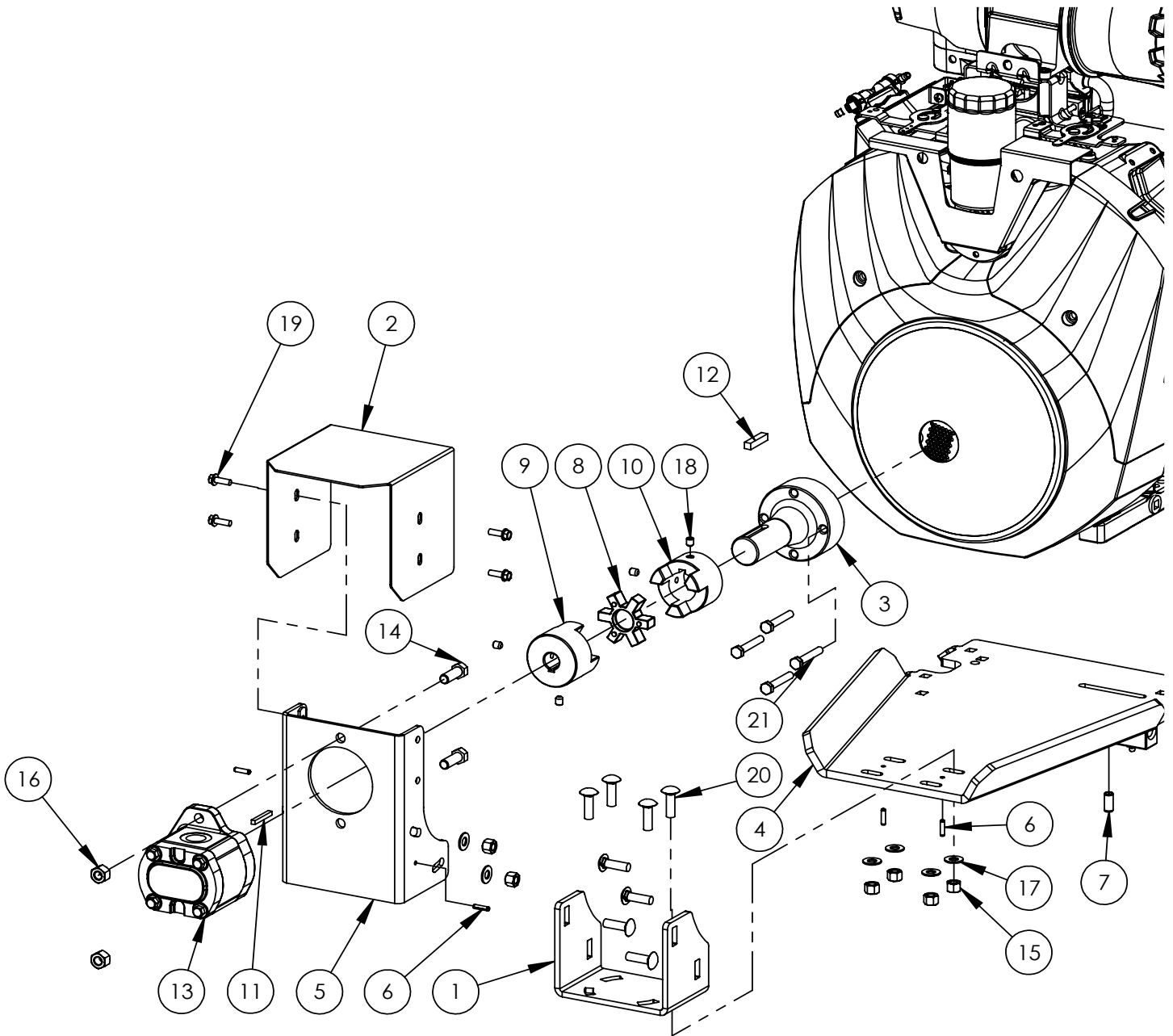
CR60 ELECTRIC HYDRAULIC PARTS BREAKDOWN

ITEM	PART NO.	DESCRIPTION	QTY
1	Z51187	Straight, HB x MP 1616	1
2	Z51188	Straight, HB x MP 1612	1
3	Z51221	Reducer FP x MP 1208	1
4	Z51331	Elbow 90 MP x FPX 0808	1
5	Z51375	Straight, MORB x FPX 1012	1
6	Z51383	Elbow 90 ORB x FPX 0808	3
7	Z51641	#6ORB x #6JIC	2
8	Z51781	Straight, MORB x FORB 1008	1
9	Z52242	3/8 Hose, #6FJIC 90 x MP08 x 84"	1
10	Z52243	3/8 Hose, #6FJIC 90 x MP08 x 32"	1
11	Z52302	1/2 Hose, MP08 x MP08 x 9"	1
12	Z52309	1/2 Hose, MP08 x MP08 x 67"	1
13	Z52416	1" Tank Truck Hose x 66"	1
14	Z53113	Gear Pump, PLP20.4S	1
15	Z56505	IntelliFEED Manifold	1
16	Z61304	Indicator Light, 10mm Green	1
17	Z61305	Indicator Light, 10mm Red	1
18	Z62106	CR60 Logic Harness	1
19	Z66204	Control, IntelliFEED	1
20	Z71230	Hex Bolt 5/16NC x 3	2
21	Z73120	Washer, 5/16	2
22	Z76134	Flange Bolt, 3/8NC x 1	4
23	Z78305	Machine Screw, #10NC x 3/4	4
24	Z79401	Hose Clamp, #16	2

WALLENSTEIN

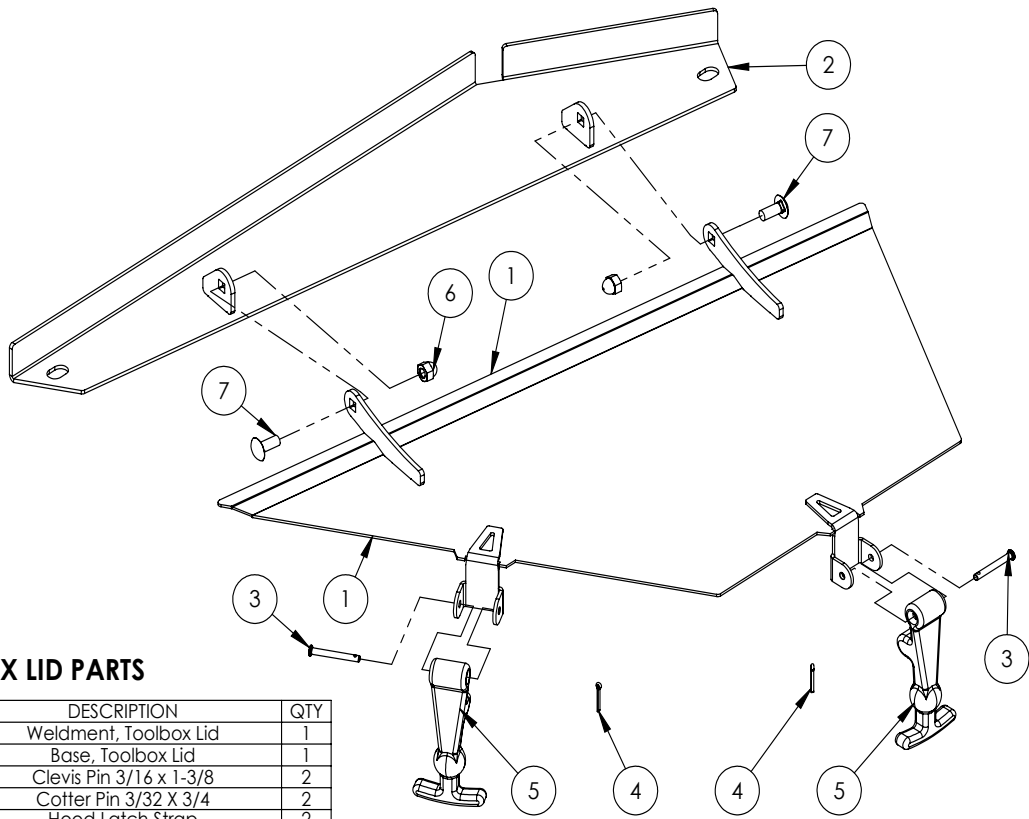
1054 CR60 ELECTRICAL WIRING DIAGRAM





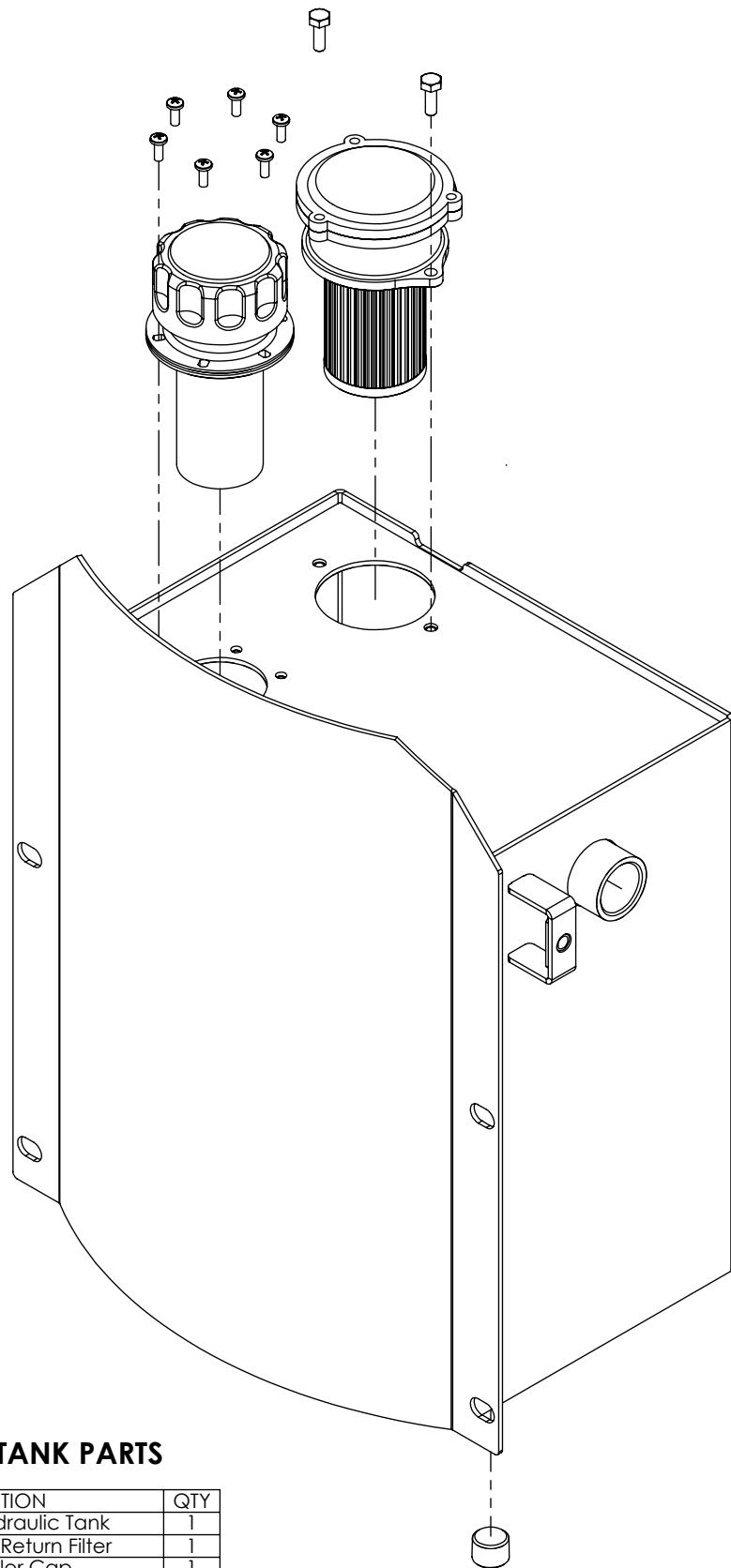
Note: Seal Kit for #Z53113 gear pump is: SK PL20-S/D-49

CR60 PUMP MOUNT PARTS BREAKDOWN			
ITEM	PART NO.	DESCRIPTION	QTY
1	1054L570	Adapter Weldment Plate	1
2	1054L571	Pump Guard	1
3	1054M412	Stub Shaft, Kohler Front	1
4	1054W490	Engine Adjustment Plate	1
5	1054W491	Pump Mount Weldment	1
6	Z14152	Roll Pin, 3/16 x 3/4	4
7	Z14301	Roll Pin, 10mm x 22mm	2
8	Z46417	L100 Spider	1
9	Z46424	Shaft Coupler, L100 x 3/4"	1
10	Z46427	Shaft Coupler, L100 x 1-3/8"	1
11	Z46523	Key, 3/16 x 3/16 x 1-1/2	1
12	Z46543	Key 5/16 x 5/16 x 1-1/2	1
13	Z53113	Gear Pump, PLP20.4S	1
14	Z71412	Hex Bolt 7/16NC x 1-1/4	2
15	Z72231	Hex Lock Nut 3/8NC	8
16	Z72240	Hex Lock Nut, 7/16NC	2
17	Z73131	Washer, 3/8	8
18	Z74121	Set Screw 5/16NC	4
19	Z76111	Flange Bolt 1/4NC x 3/4	4
20	Z76232	Carriage Bolt 3/8NC x 1-1/4	8
21	Z77154	Hex Bolt, M8x1.25x50mm	4



CR60 TOOLBOX LID PARTS

ITEM	PART NO.	DESCRIPTION	QTY
1	1054W474	Weldment, Toolbox Lid	1
2	1054W475	Base, Toolbox Lid	1
3	Z11301	Clevis Pin 3/16 x 1-3/8	2
4	Z12301	Cotter Pin 3/32 X 3/4	2
5	Z18201-3	Hood Latch Strap	2
6	Z72914	Acorn Nut, 5/16NC	2
7	Z76221	Carriage Bolt 5/16NC x 3/4	2



1081A200 HYDRAULIC OIL TANK PARTS

ITEM	PART NO.	DESCRIPTION	QTY
1	1081W201	Weldment, Hydraulic Tank	1
2	Z55201	Tank Mounted Return Filter	1
3	Z55401	Breather Filler Cap	1
4	Z55901	Site Glass 1NPT	1
5	Z51192	Socket Plug 1/2NPT	1
6	Z71107	Hex Bolt 1/4NC x 3/4	2
7	Z78303	Machine Screw #10NF x 1/2	6

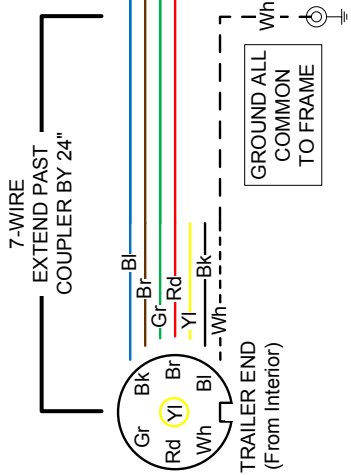
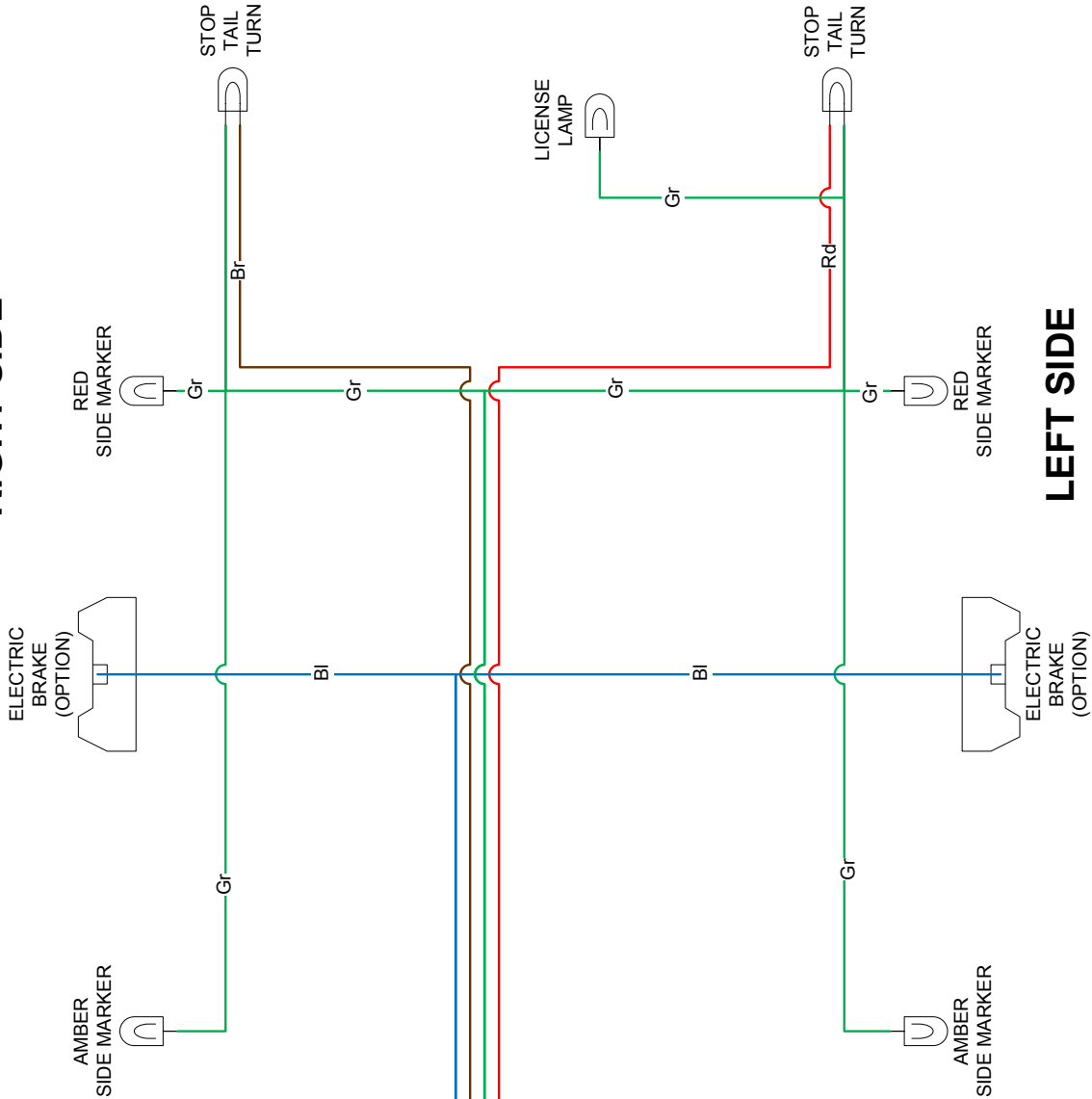
CR60 7-pin WIRING

KEY

Bl	- BLUE
Br	- BROWN
Gr	- GREEN
Rd	- RED
Yl	- YELLOW
Bk	- BLACK
Wh	- WHITE

RIGHT SIDE

LEFT SIDE



GROUND ALL COMMON TO FRAME

DANGER

ROTATING CUTTING BLADES

Keep hands and feet out of inlet and discharge openings while machine is operating to avoid serious personal injury. Stop engine, remove spark plug wire and allow machine to come to a complete stop before clearing obstructions or making adjustments.

Z94007

FEED
Adjuster

NEUTRAL
Marche arrière

REVERSE
Marche avant

Z94015

DANGER

MISSING GUARD HAZARD

- Close and secure all guards and shields before operating.
- Do not operate without guards and shields.

Z94013

DANGER

THROWN OBJECT HAZARD

To prevent serious injury or death from thrown objects:

- Turn machine off, stop and disable engine, set park brake, remove ignition key and place in your pocket and wait for all moving parts to stop before servicing, adjusting, repairing or unplugging.
- Do not direct discharge duct towards people, animals or property. Always wear appropriate safety gear. Keep hands and feet out of discharge openings.
- Keep others away.

Z94008

WARNING

ROTATING PART HAZARD KEEP AWAY

To prevent serious injury or death from rotating parts:

- Turn machine off, stop and disable engine, remove ignition key and place in your pocket, set park brake and wait for all moving parts to stop before adjusting, servicing, maintaining, repairing or unplugging.
- Close and secure guard before operating.

Keep hands, feet, hair and clothing away.

Z94012

WARNING

HIGH PRESSURE FLUID HAZARD

To prevent serious injury or death from high-pressure fluid:

- Relieve pressure on system before repairing or adjusting.
- Wear proper hand and eye protection when searching for leaks. Use wood or cardboard instead of hands.
- Keep all components in good repair.

Z94005

WALLENSTEIN

CR60

Z94141

WALLENSTEIN

Z94056

DANGER

FIRE HAZARD NO SMOKING

To prevent serious injury or death from fire:

- Do not smoke when refueling.
- Keep sparks, flames and hot material away from flammable substances.
- Stop engine five minutes before refueling.

Z94065

DANGER

THROWN OBJECT HAZARD

To prevent serious injury or death from thrown objects:

- Turn machine off, stop and disable engine, set park brake, remove ignition key and place in your pocket and wait for all moving parts to stop before servicing, adjusting, repairing or unplugging.
- Do not direct discharge duct towards people, animals or property. Always wear appropriate safety gear. Keep hands and feet out of discharge openings.
- Keep others away.

Z94008

MADE IN
CANADA
FABRIQUÉ AU

Z94617

WALLENSTEIN

Z94056

DANGER

ROTATING CUTTING BLADES

Keep hands and feet out of inlet and discharge openings while machine is operating to avoid serious personal injury. Stop engine, remove spark plug wire and allow machine to come to a complete stop before clearing obstructions or making adjustments.

Z94007

CAUTION

- Read and understand operator's manual before starting. Review safety instructions annually.
- Turn machine off, stop and disable engine, remove ignition key and place in your pocket, set park brake and wait for all moving parts to stop before adjusting, servicing, maintaining, repairing or unplugging.
- Keep the working area clean and free of debris to prevent slipping or tripping. Operate only on level ground.
- Close and secure rotor cover before operating.
- Close and secure all guards, deflectors and shields before starting and operating.
- Keep hydraulic lines and fittings tight. In good condition and free of leaks.
- Keep hands, feet, hair and clothing away from moving parts. Never wear loose clothing around machinery.
- Keep driveline universal joint angles equal and small as possible.
- Do not point discharge at people, animals or buildings. Rotor can eject wood chips fast enough to cause injury.
- Do not allow children, animals or unauthorized people into working area.
- Do not run machine inside a closed building to prevent asphyxiation from engine exhaust.
- Use care when feeding material into chipper. Do not send metal, bottles, cans, rocks, glass or other foreign material into wood chipper. If foreign material enters chipper, stop the machine, turn engine off and place ignition key in your pocket and wait for all moving parts to stop before removing material and/or unplugging. Inspect machine for damaged or loose parts before returning to work.
- Always wear P.P.E. (Personal Protective Equipment) such as safety goggles and heavy gloves whenever operating machine.
- Do not place hands or any body parts into feed hopper during operation.
- Do not move or transport chipper when the rotor is turning.
- Do not exceed a safe travel speed when transporting. Cross safety glass under discharge chute model attached to a truck.

Z94006

WALLENSTEIN

CR60

Z94141

WARNING

HIGH PRESSURE FLUID HAZARD

To prevent serious injury or death from high-pressure fluid:

- Relieve pressure on system before repairing or adjusting.
- Wear proper hand and eye protection when searching for leaks. Use wood or cardboard instead of hands.
- Keep all components in good repair.

Z94005

DANGER

ROTATING CUTTING BLADES

Keep hands and feet out of inlet and discharge openings while machine is operating to avoid serious personal injury. Stop engine, remove spark plug wire and allow machine to come to a complete stop before clearing obstructions or making adjustments.

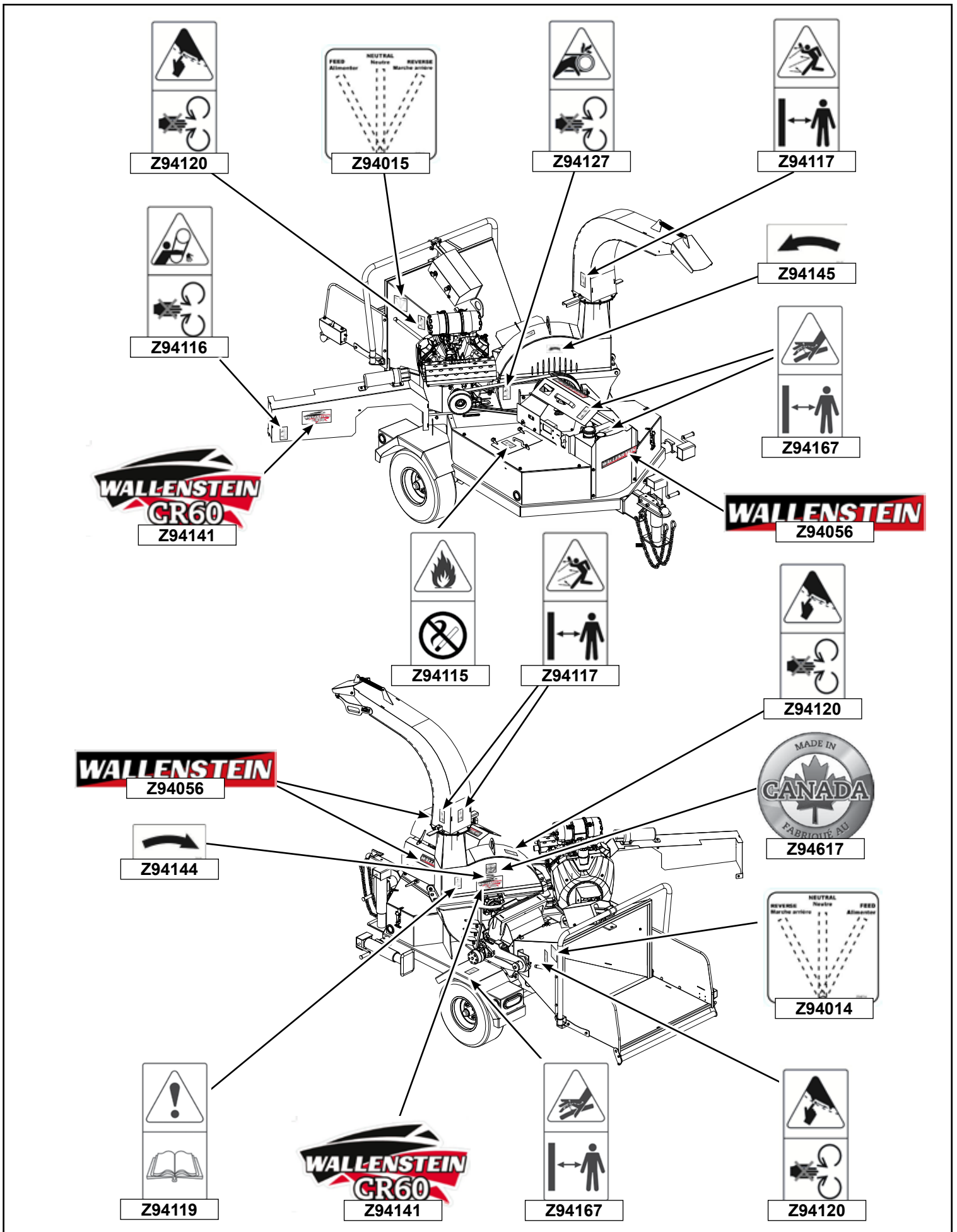
Z94007

REVERSE
Marche arrière

NEUTRAL

FEED
Adjuster

Z94014



Accessories



#1012L269 LEDGER CLEARANCE SETTING GAUGE

Manual



Z97068

Available as a download at
www.embmfg.com



WALLENSTEIN Products Manufactured by:

EMB MFG Inc.

4144 Boomer Line
St. Clements, Ontario
Canada N0B 2M0
Phone: 1-877-695-9283
Fax: 519-699-4146
www.embmfg.com