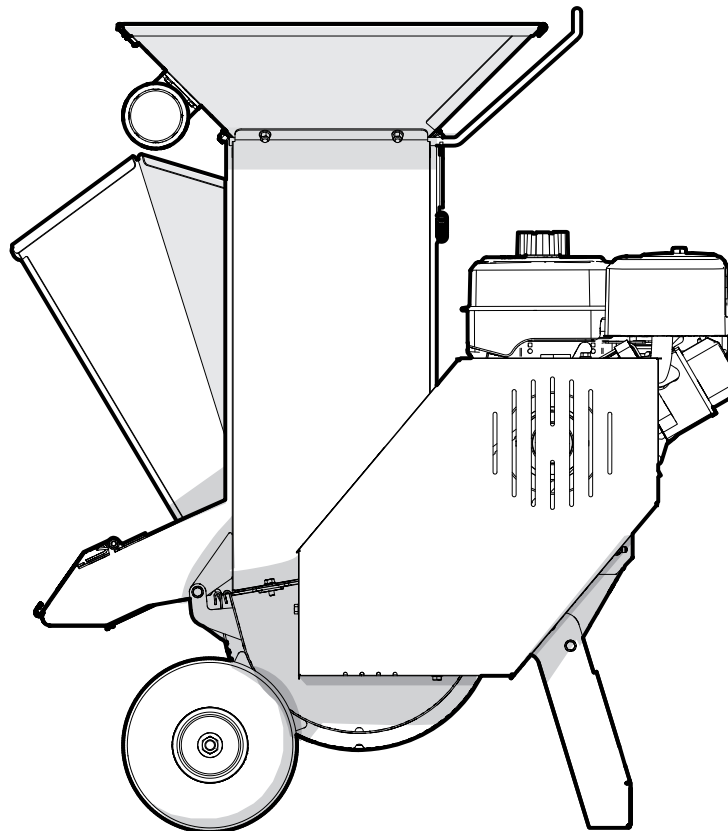


PARTS MANUAL

Serial Number 1100780 to 1101751

BXMC3409B **CART CHIPPER / SHREDDER**



Foreword

This Wallenstein parts manual is prepared to assist customers in ordering quality OEM replacement parts.

Regular maintenance combined with replacing old, worn or broken parts with the correct OEM parts is essential in prolonging the life of your Wallenstein product. Refer to this manual to identify replacement parts.

To order parts, contact your Wallenstein dealer or distributor. Have the product model and serial number handy.

If your dealer is no longer available, please go to WallensteinEquipment.com. At the bottom of the page, select Dealer Locator.

All information contained in this parts manual is current as per the revision date at the bottom of the page. Wallenstein reserves the right to change product specifications at any time without notice.

If your product specifications differ from those contained in this manual, contact Wallenstein for current information.

Reproduction of information in this parts manual is prohibited without prior written permission from Wallenstein Equipment Inc.

Wallenstein Equipment Inc. • © 2023

WARNING!

For safety, operation, and maintenance information, see the Operator's Manual.

Maintenance should be performed by trained personnel only.

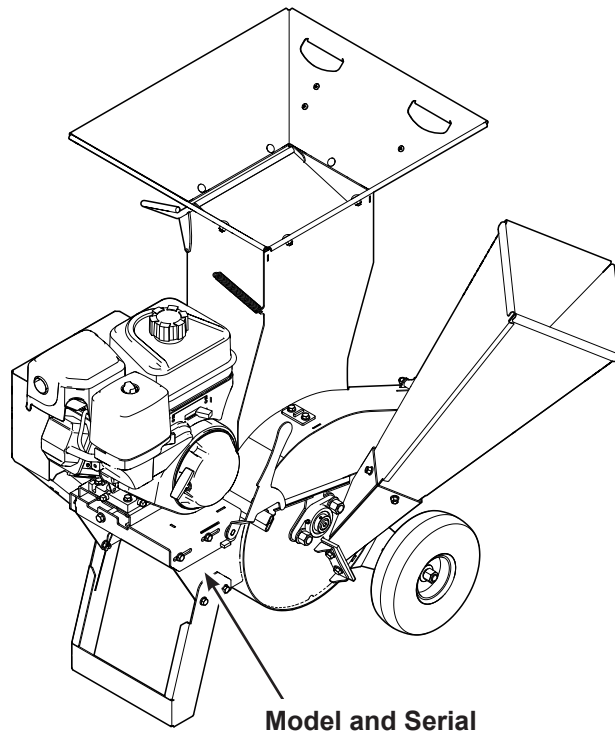
Serial Number Location

Always provide the model and serial number of your Wallenstein product when ordering parts or requesting service or other information. The serial number is on the product information plate as shown below.

Record your product information here for future reference.

Model _____

Serial Number _____



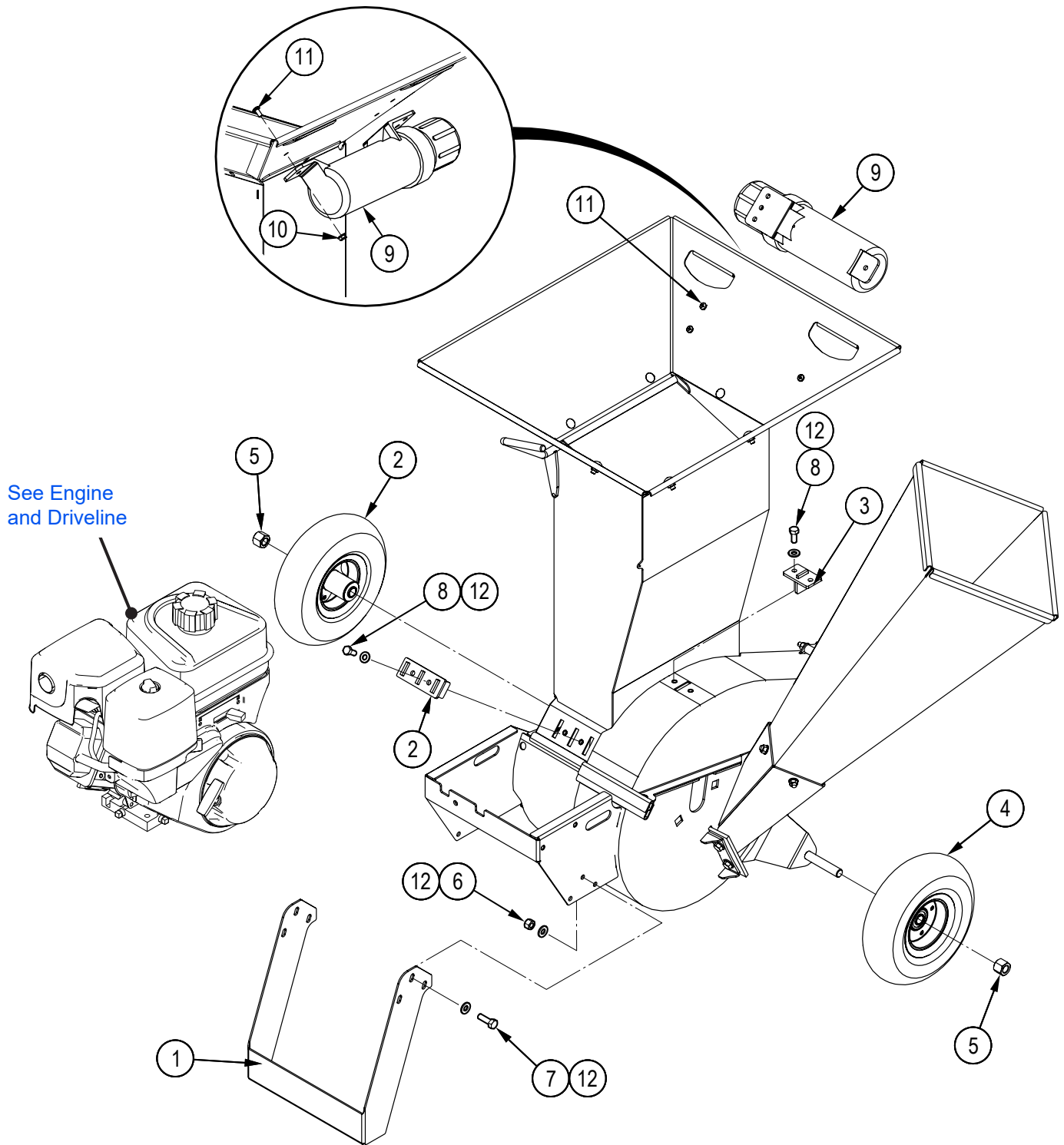
**Model and Serial
Number Location**

www.WallensteinEquipment.com

Contents

Main Parts	4
Upper and Lower Housing	5
Engine and Driveline	6
Rotor Assembly	7
Deflector Detail	8
Decal Layout	9
Accessories	11
Common Bolt Torque Values	12

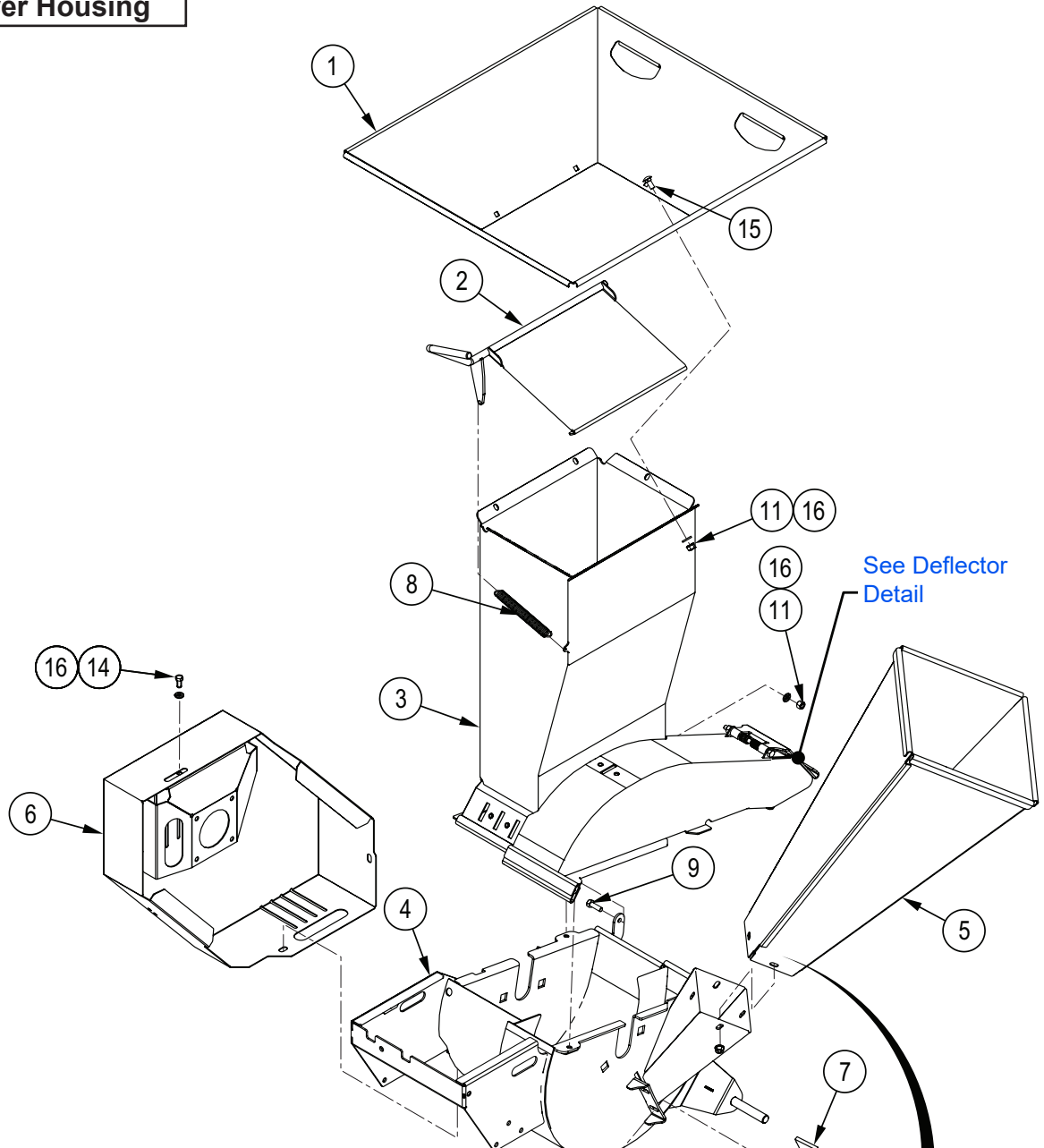
Main Parts



Item No.	Part No.	Description	Qty
1	1073L239	Front Leg	1
2	1073W125	Chop Block	1
3	1073W126	Twig Breaker	1
4	Z91307	4.10-3.50-4NHS LRB 300lbs x 5/8"	2
5	Z72261	Hex Lock Nut, 5/8NC	2
6	Z72221	Hex Lock Nut, 5/16NC	6

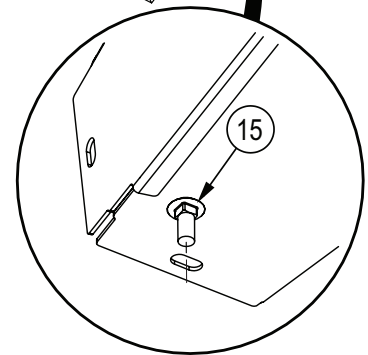
Item No.	Part No.	Description	Qty
7	Z71210	Hex Bolt, 5/16NC x 1"	6
8	Z71207	Hex Bolt, 5/16NC x 3/4"	4
9	Z96503	Manual Tube, 3-1/2" Short	1
10	Z72511	Serrated Flange Locknut, 1/4NC	3
11	Z78317	Machine Screw, 1/4NC x 1/2"	3
12	Z73122G8	SAE Washer, 5/16" Grade 8	12

Upper and Lower Housing

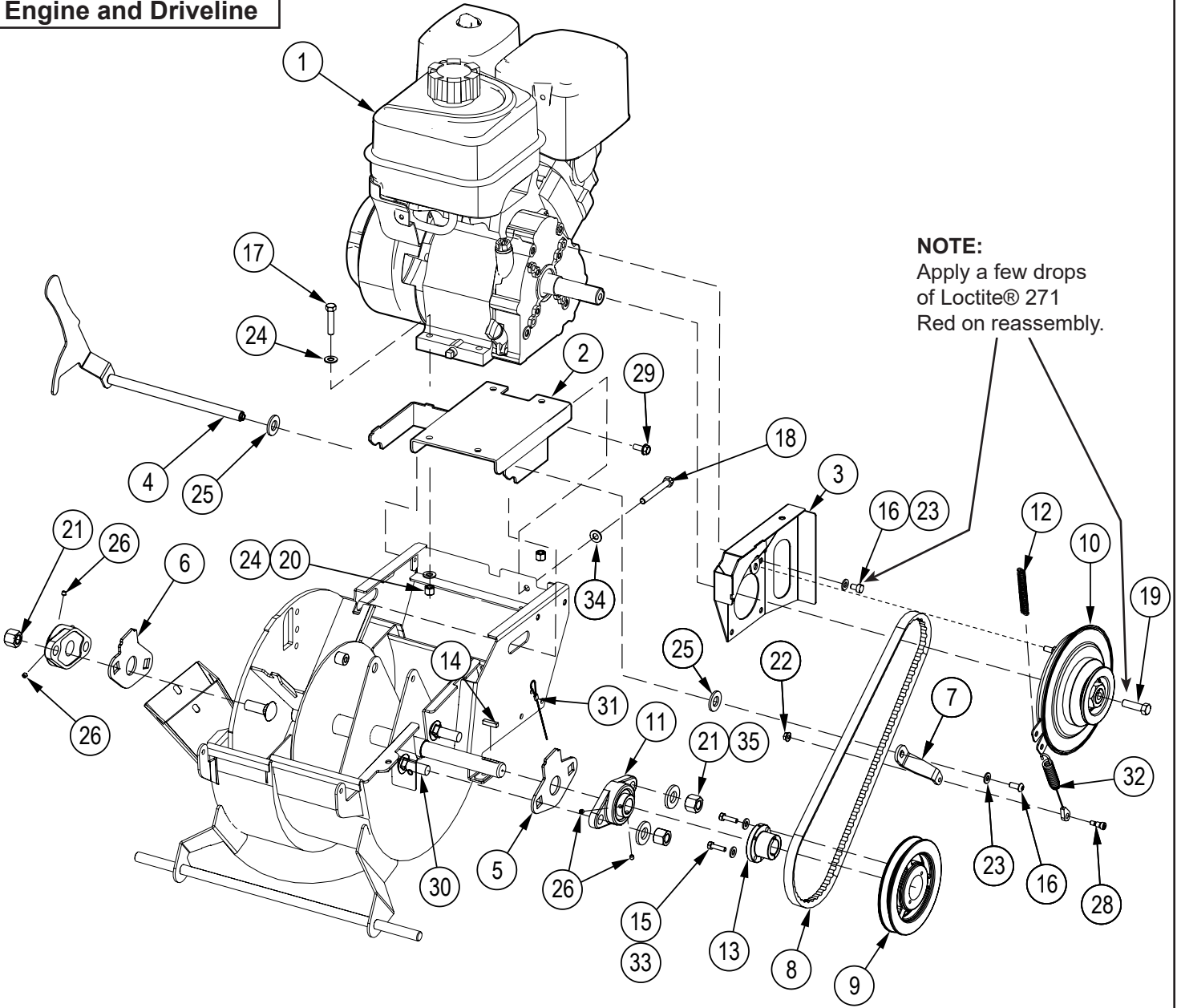


Item No.	Part No.	Description	Qty
1	1073W129	Hopper	1
2	1073W107	Flap, Hopper	1
3	1073W104	Upper Housing	1
4	1073W502	Bottom Housing	1
5	1073W112	Extension	1
6	1073L567	Belt Shield	1
7	1056M304	Knife, 3" Ledger	1
8	Z31301	Ext Spring, 17mm OD x 140mm x 0.080"	1
9	Z71210	Hex Bolt, 5/16NC x 1"	2
10	Z71372G8	Hex Bolt, 3/8NF x 5/8" G8	2
11	Z72221	Hex Lock Nut, 5/16NC	2
13	Z73131	SAE Washer, 3/8"	2
14	Z76122	Flange Bolt, 5/16NC x 1/2"	5
15	Z76221	Carriage Bolt, 5/16NC x 3/4"	10
16	Z73122G8	SAE Washer, 5/16" Grade 8	16

NOTE:
Apply Loctite®
Blue 242 to
threads on
assembly.



Engine and Driveline

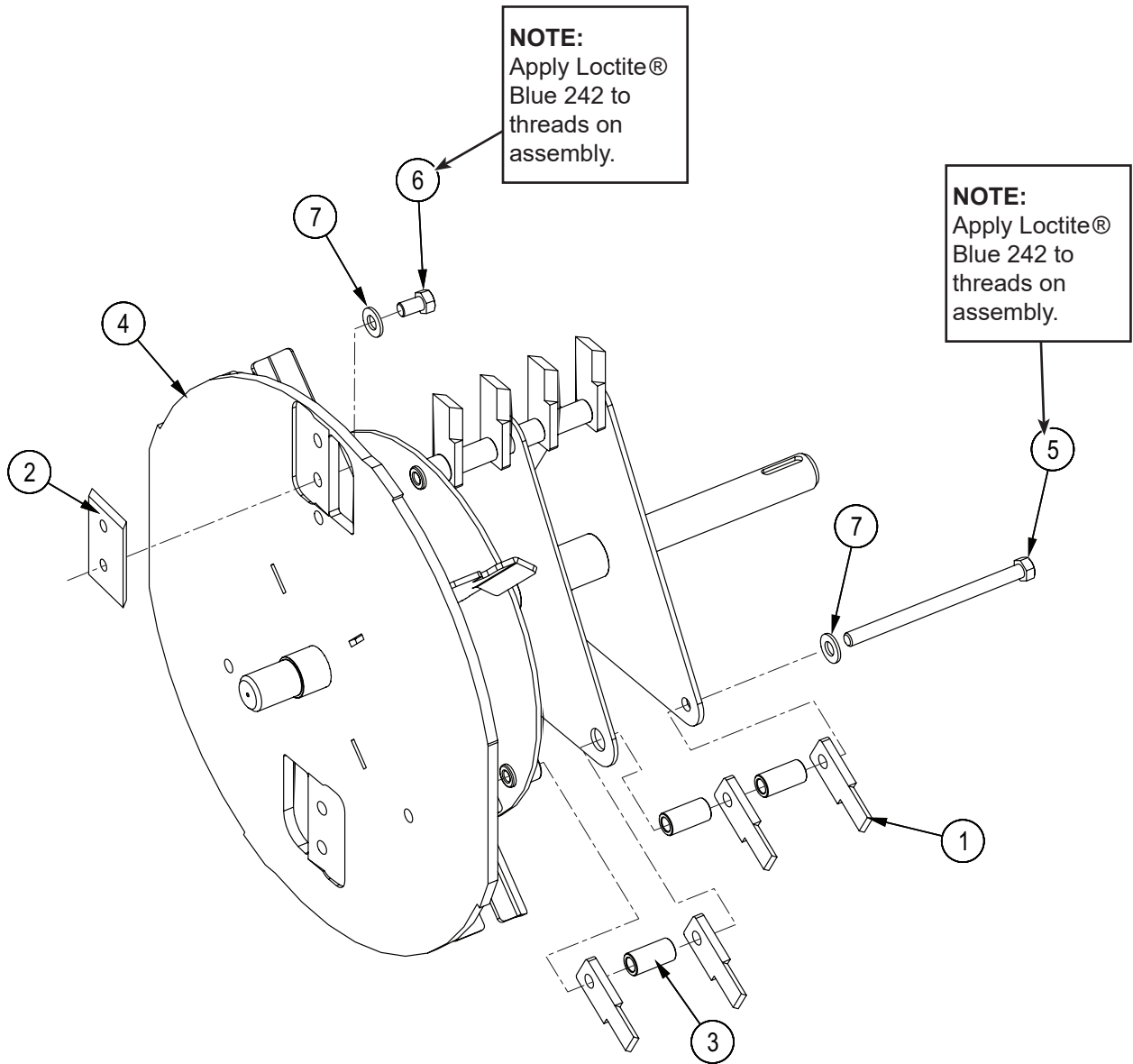


NOTE:
Apply a few drops of Loctite® 271 Red on reassembly.

Item No.	Part No.	Description	Qty
1	Z47765	Vanguard 10hp (305cc)	1
2	1073W527	Engine Base	1
3	1073W524	Shield Mount	1
4	1073W521	Clutch Actuator	1
5	1073L216	Bearing Cover Plate	1
6	1073L266	Bearing Cover Plate	1
7	1073L562	Clutch Actuator Foot	1
8	Z41167	Single Belt, BX44	1
9	Z41609	Sheave, MBL62 x L	1
10	Z49305	Brake Clutch, 3.6P x 1"	1
11	Z25101	2-Bolt Flange Bearing, UCFL205-16	2
12	Z31304	Ext Spring, 1/2" OD x 2-1/2" x .063"	1
13	Z41510	Hub, L x 1"	1
14	Z46533	Key, 1/4" x 1/4" x 1"	1
15	Z71110	Hex Bolt, 1/4NC x 1"	2
16	Z75351	BHCS, 5/16NF x 3/4"	5
17	Z71217	Hex Bolt, 5/16NC x 1-3/4"	

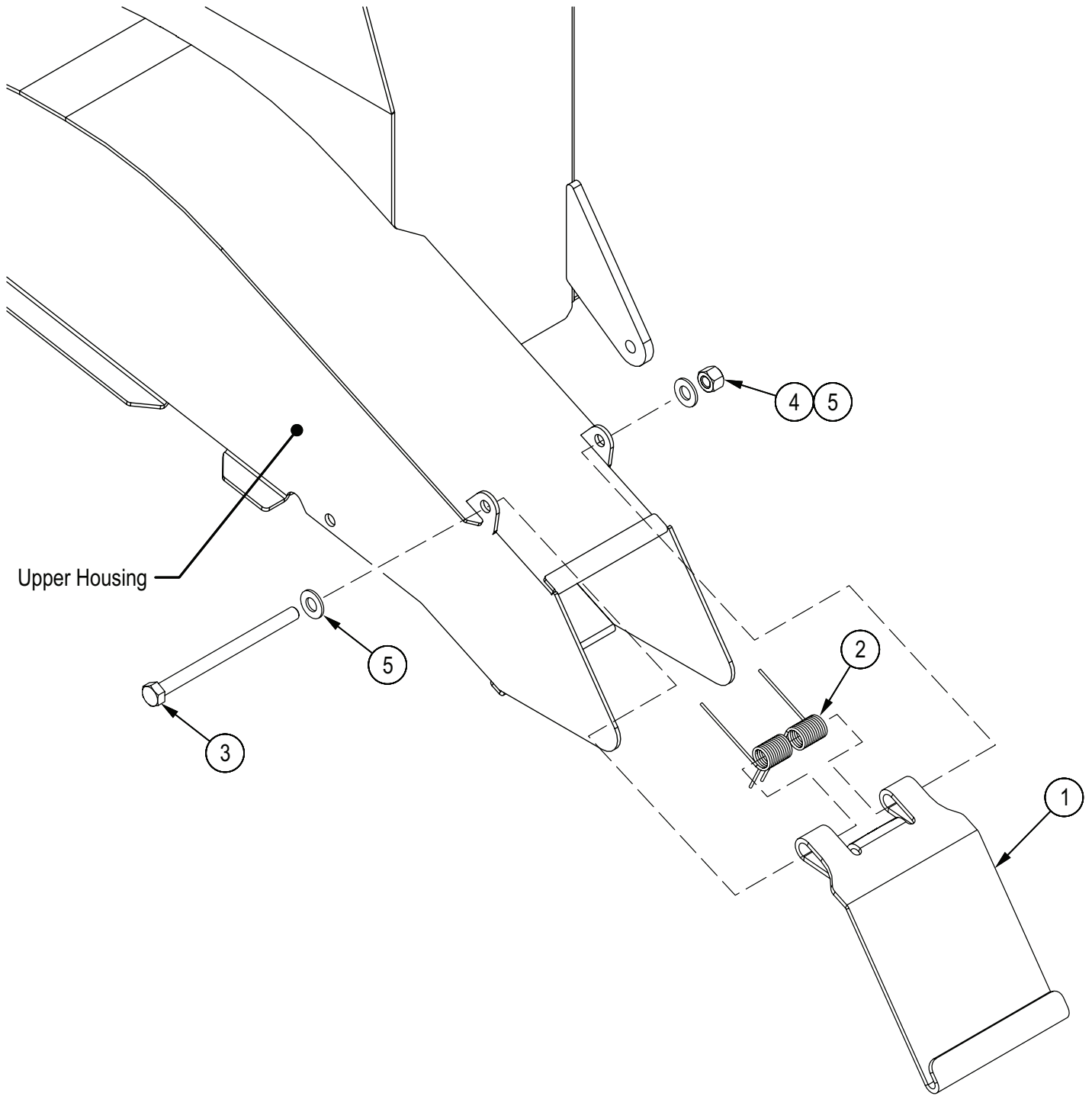
Item No.	Part No.	Description	Qty
18	Z71391	Hex Bolt, 3/8NC x 3" Full Threads	1
19	Z71472	Hex Bolt, 7/16NF x 1-1/2"	1
20	Z72221	Hex Lock Nut, 5/16NC	4
21	Z72261	Hex Lock Nut, 5/8NC	5
22	Z72511	Serrated Flange Locknut, 1/4NC	1
23	Z73122G8	SAE Washer, 5/16" Grade 8	5
24	Z73122G8	SAE Washer, 5/16" Grade 8	4
25	Z73161G8	SAE Washer, 5/8" Grade 8	2
26	Z74111	Set Screw, 1/4NC x 1/4"	4
28	Z75523	Shoulder Bolt, 5/16" x 3/8"	1
30	Z76262	Carriage Bolt, 5/8NC x 1-3/4"	4
31	Z92110	Aircraft Cable, 1/16" x 24"	1
32	Z92117	Clutch Actuator Cable w/Spring, 5/16" Eye	1
33	Z73111G8	SAE Washer, 1/4" Grade 8	2
34	Z73131G8	SAE Washer, 3/8" Grade 8	1
35	Z73161G8	SAE Washer, 5/8" Grade 8	4

Rotor Assembly



Item No.	Part No.	Description	Qty
1	1056M108	Knife, Shredder	12
2	1056M303	Knife, 3" Rotor	2
3	1073M104	Spacer, Shredder 1.25	9
4	1073W503	Rotor, 9hp	1
5	Z71355G8	Hex Bolt, 3/8NC x 5-1/2" G8	3
6	Z71372G8	Hex Bolt, 3/8NF x 5/8" G8	4
7	Z73131G8	SAE Washer, 3/8"	7

Deflector Detail

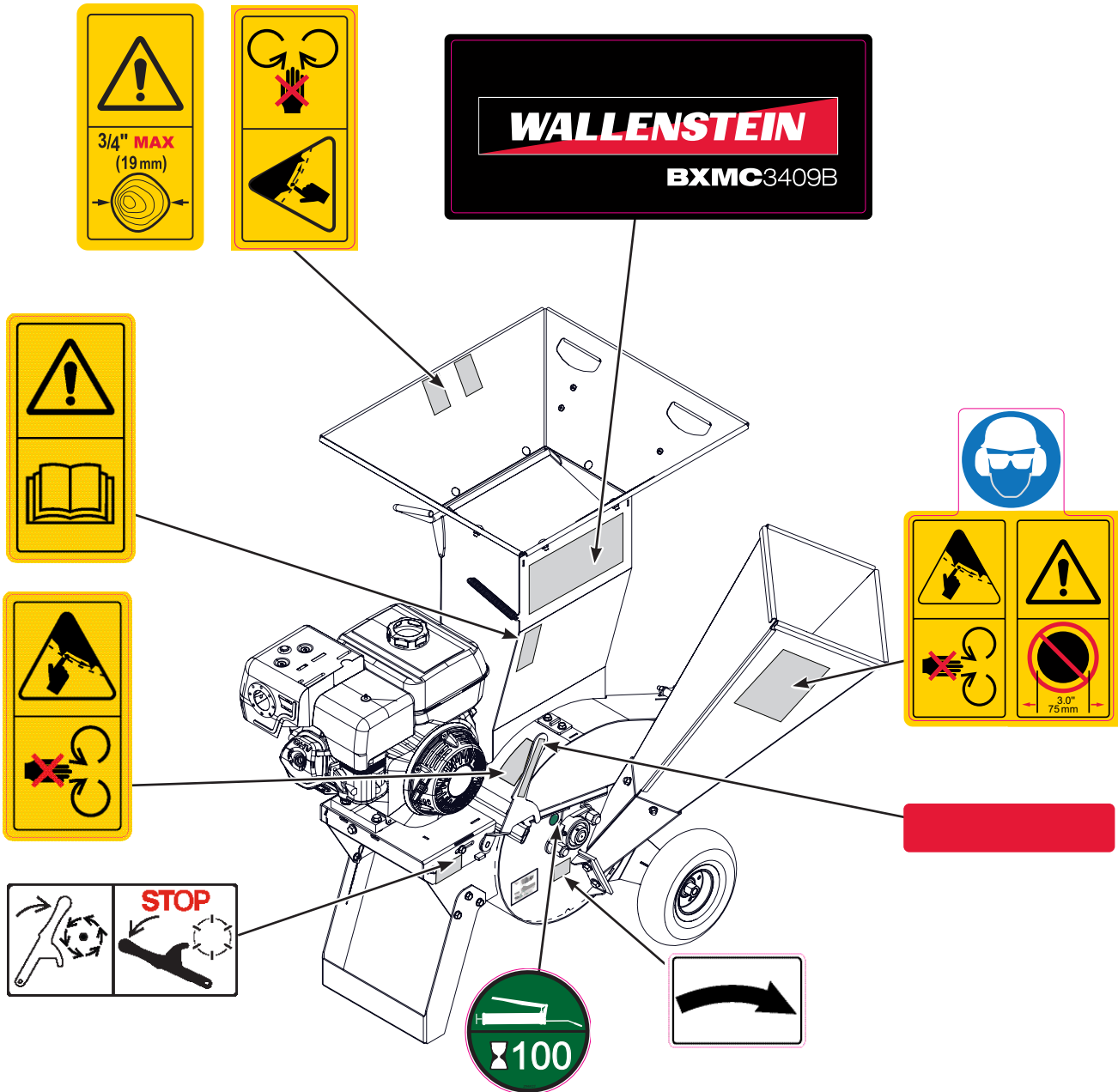


Item No.	Part No.	Description	Qty
1	1073L242	Deflector	1
2	Z33201	Tor Spring, 0.585" OD x 0.850" x 0.063" -	2
3	Z71245	Hex Bolt, 5/16NC x 4-1/2"	1
4	Z72221	Hex Lock Nut, 5/16NC	1
5	Z73122G8	SAE Washer, 5/16" Grade 8	2

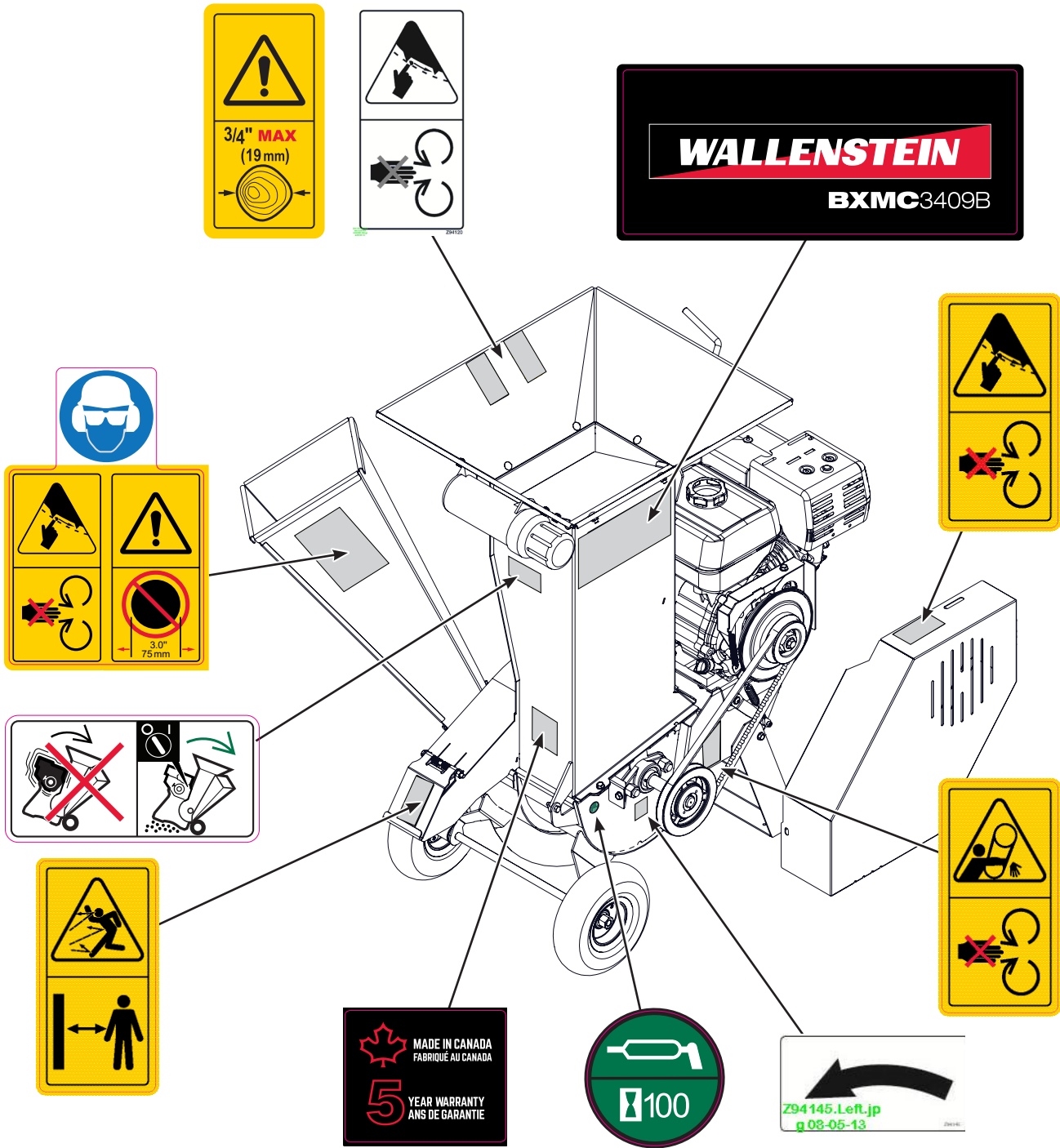
Decal Layout

IMPORTANT! If parts are replaced that have safety signs on them, new signs must be applied. Safety signs must always be replaced if they become damaged, are removed, or become illegible.

Safety signs are included in the product decal kit available from your authorized dealer. Decals are not available separately.



Decal Layout

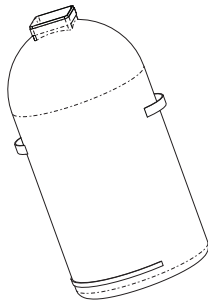


Accessories

Call your dealer for pricing and availability

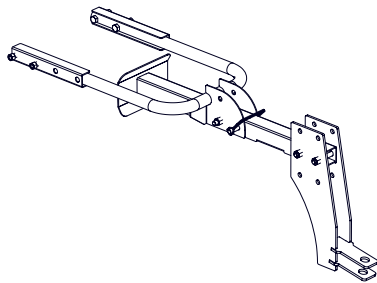
**Ledger Clearance Setting Gauge****P/N 1012L269**

An easy and accurate way of setting the critical clearances between the ledger blade and the rotor chipper blade.

**Mulch Collector Bag****P/N Z99006**

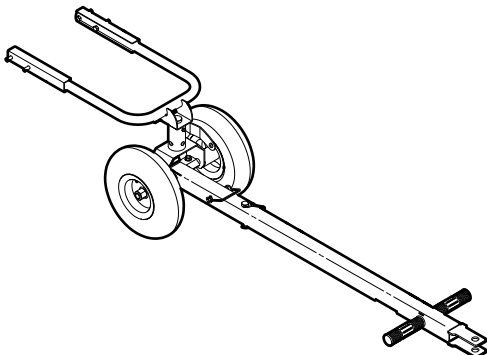
An easy way to collect your mulch and distribute it where its needed.

The mulch bag holds 2.7 cu.ft (28 litres) and is a mildew resistant synthetic material. It is a porous material, allowing air from the rotor to pass through without restricting collection of the chips.

**Garden Tractor Hitch****P/N 1082A355**

Allows for hauling your chipper with your garden tractor, convenient when working around the yard, a must for larger properties.

Easy to install, bolt on to your chipper and you're ready to go!

**Jockey Wheel Kit****P/N C500**

Easily move the chipper around with the stability of four wheels. Handle locks in the raised position. Wheels lock when positioning on slope. Convenient when working around the yard.

Easy to install. Bolt on to your chipper and you're ready to go!


Common Bolt Torque Values

Checking Bolt Torque

The tables shown give correct torque values for various bolts and capscrews. Tighten all bolts to the torque values specified in the table, unless indicated otherwise. Check tightness of bolts periodically.

IMPORTANT! If replacing hardware, use fasteners of the same grade.

IMPORTANT! Torque figures indicated in the table are for non-greased or non-oiled threads. Do not grease or oil threads unless indicated otherwise. When using a thread locker, increase torque values by 5%.

 **NOTE:** Bolt grades are identified by their head markings.

Imperial Bolt Torque Specifications

Bolt Diameter	Torque Value					
	SAE Gr. 2		SAE Gr. 5		SAE Gr. 8	
	lbf•ft	N•m	lbf•ft	N•m	lbf•ft	N•m
1/4"	6	8	9	12	12	17
5/16"	10	13	19	25	27	36
3/8"	20	27	33	45	45	63
7/16"	30	41	53	72	75	100
1/2"	45	61	80	110	115	155
9/16"	60	95	115	155	165	220
5/8"	95	128	160	215	220	305
3/4"	165	225	290	390	400	540
7/8"	170	230	420	570	650	880
1"	225	345	630	850	970	1320



SAE Gr. 2



SAE Gr. 5



SAE Gr. 8

Metric Bolt Torque Specifications

Bolt Diameter	Torque Value			
	Gr. 8.8		Gr. 10.9	
	lbf•ft	N•m	lbf•ft	N•m
M3	0.4	0.5	1.3	1.8
M4	2.2	3	3.3	4.5
M6	7	10	11	15
M8	18	25	26	35
M10	37	50	52	70
M12	66	90	92	125
M14	83	112	116	158
M16	166	225	229	310
M20	321	435	450	610
M30	1,103	1 495	1,550	2 100



8.8



10.9