



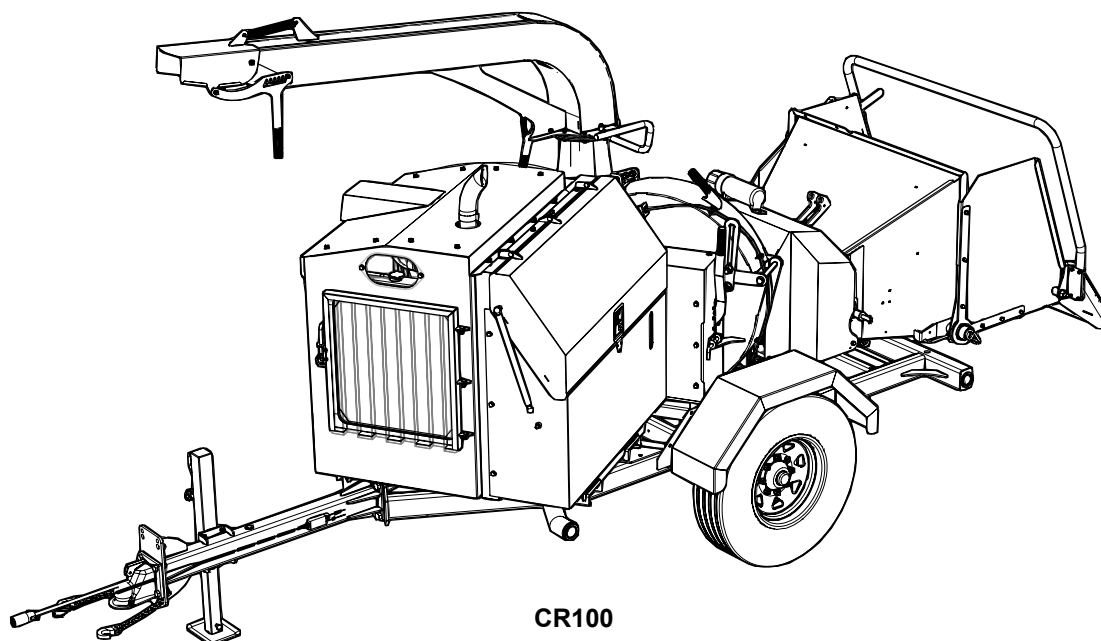
EMB Manufacturing Inc.
4144 Boomer Line · St. Clements, On · N0B 2M0 · Canada
Ph: (519) 699-9283 · Fax: (519) 699-4146
www.embmfg.com

CR100 Trailer

Chipper Parts Manual

Starting with S/N 2E9US1110ES010011 to 2E9US1114E010012

MODELS CR100, CR100P



CR100



Refer to the operators
manual for safe
operation and
maintenance

1060T100 CR100 Parts Manual
Rev C 230914

For threaded parts installation, refer to the torque charts in this manual.

Table of Contents

CR100 Variation Chart.....	3	Upper Roller.....	22
Frame Detail - Tongue & Jack.....	4	Plunger Assembly Detail.....	23
Frame Detail - Front.....	5	Upper Roller Parts List	23
Frame Detail - Rear	6	Lower Roller.....	24
Frame & Fender Detail	7	Hopper Roller Shrouding.....	25
Axle Ass'y	8	Feed Table	26
Hub Assembly.....	8	Feed Roller Control Detail.....	27
Brake Assembly.....	8	Winch	28
Engine Carriage.....	9	Winch Drum Detail	29
Engine	9	Winch Arm Ass'y.....	29
Engine Parts.....	9	Fairlead Ass'y Detail	30
Engine Compartment Shroud.....	10	Roller Lift Hydraulic Cylinder	30
Engine Compartment Door	10	Cylinder Seal Installation	31
Radiator Shroud & Screen Door	11	Roller Lift Hydraulic Cylinder Detail.....	31
Tank Compartment Shroud	11	Intellifeed Manifold Ass'y.....	32
Battery Fuel & Hydraulic Tanks.....	12	Winch and Roller Lift Hydraulic Controls ...	32
Tank Compartment Tool Tray Detail	13	#20DK Seal Kit S20 Side Port	33
Battery Fuel & Hydraulic Tanks.....	13	#20BK Seal Kit	33
Control Panel	14	#20CK Seal Kit for S20 Inlet Side Port	33
Tank Compartment Lid	14	#20AK Seal Kit for S20 Work Sections.....	33
Discharge Chute	15	Intellifeed Wiring Harness &	34
Rotor Housing Rear	16	Lights and Brakes Wiring Harness	34
Rotor Housing Front	16	Intellifeed Wiring Diagram #Z62108	35
Rotor Interlock Latch	17	Hydraulic Hose Parts List	36
Rotor Interlock Clutch	17	Hydraulic Schematic CR100.....	37
Rotor Assembly	18	Hydraulic Schematic CR100P.....	38
Pulley Shroud	19	Label Layout - List.....	39
Hopper Top / Back View.....	20	Label Layout - Left Side.....	40
Bypass Valve Detail.....	20	Label Layout - Right Side	41
Hopper Front/ Bottom View	21	Accessories.....	42

Foreword

EMB Mfg. has prepared this parts manual to assist customers in ordering quality OEM replacement parts.

Proper and regular service and replacing old, worn or broken parts with the correct Wallenstein parts are essential to prolonging the life of your Wallenstein product. Please refer to this manual before ordering any replacement parts.

All information contained in this parts manual is based on the latest product specification available at the time of printing this manual. If your product differs from the specifications contained within this manual contact EMB Mfg. for information.

EMB reserves the right to alter specifications on their products at any time.

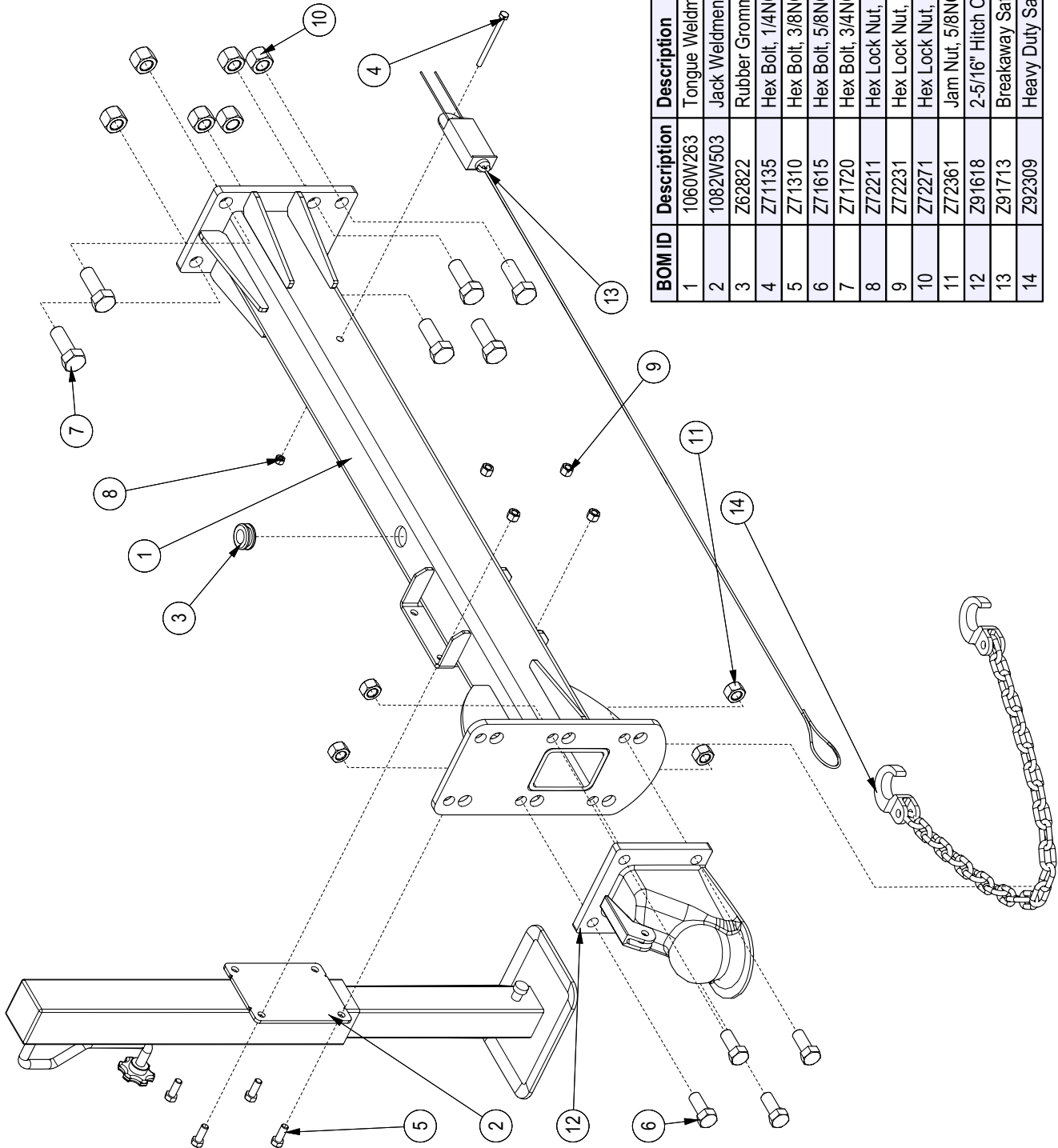
For parts and information please contact your dealer. If your dealer is no longer available please go to our website: <http://www.wallensteincr.com> and click on "Contact" for more information.

CR100 Variation Chart

CR Option Cross Reference		Option	
		Hydraulic Winch	Hydraulic Roller Lift
M o d e l	CR100		
	CR100P	X	X

MODEL CR100 / CR100P

Frame Detail - Tongue & Jack

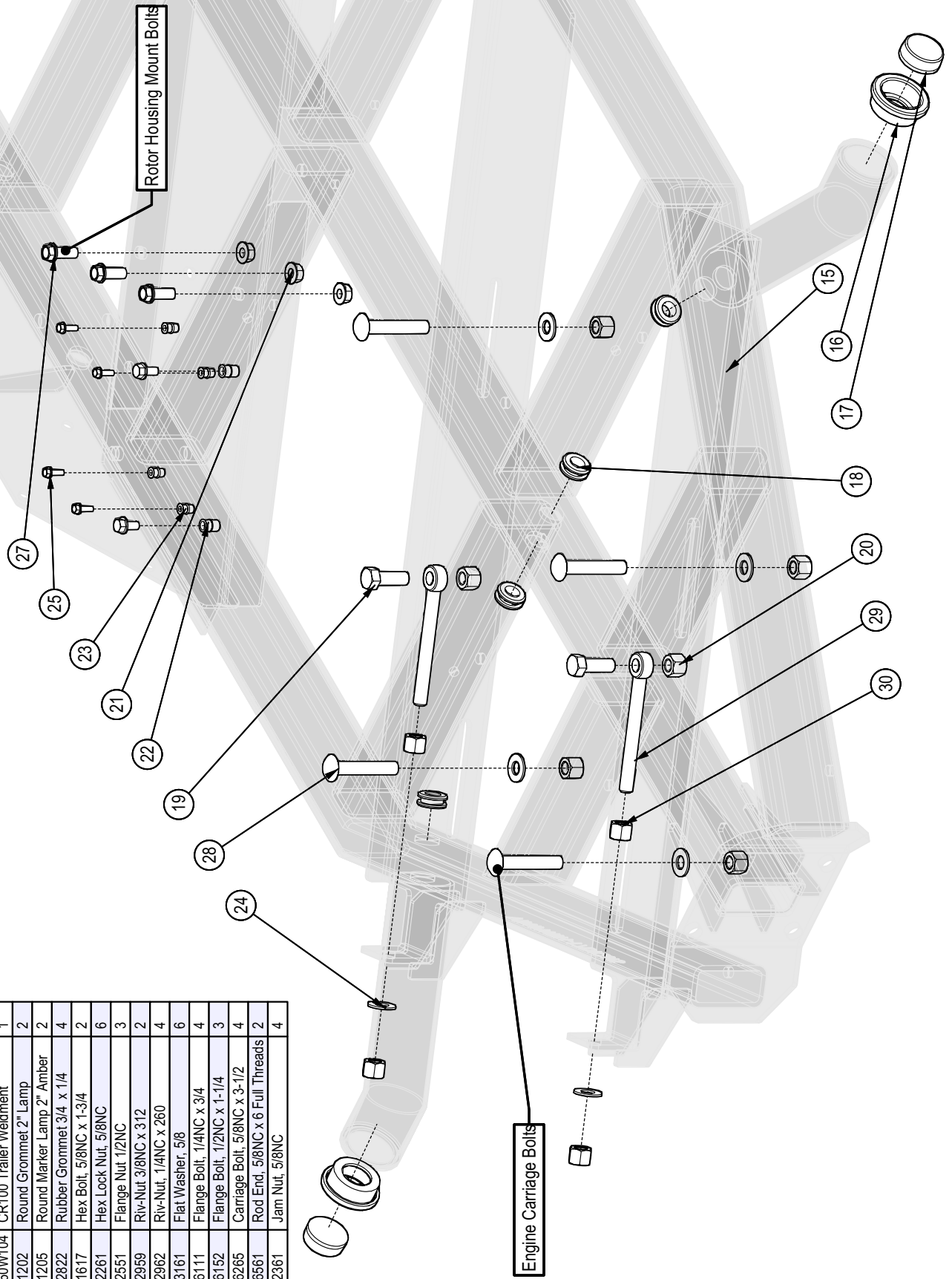


BOM ID	Description	Description	Qty
1	1060W263	Tongue Weldment	1
2	1082W503	Jack Weldment for 1082A502	1
3	Z62822	Rubber Grommet 3/4 x 1/4	1
4	ZT1135	Hex Bolt, 1/4NC x 3-1/2"	1
5	ZT1310	Hex Bolt, 3/8NC x 1	4
6	ZT1615	Hex Bolt, 5/8NC x 1-1/2"	4
7	ZT1720	Hex Bolt, 3/4NC x 2	6
8	ZT2211	Hex Lock Nut, 1/4NC	1
9	ZT2231	Hex Lock Nut, 3/8NC	4
10	ZT2271	Hex Lock Nut, 3/4NC	6
11	ZT2361	Jam Nut, 5/8NC	4
12	Z91618	2-5/16" Hitch Coupler 12000#	1
13	Z91713	Breakaway Safety Switch	1
14	Z92309	Heavy Duty Safety Chain 1/4" x 5'	1

MODELS CR100, CR100P

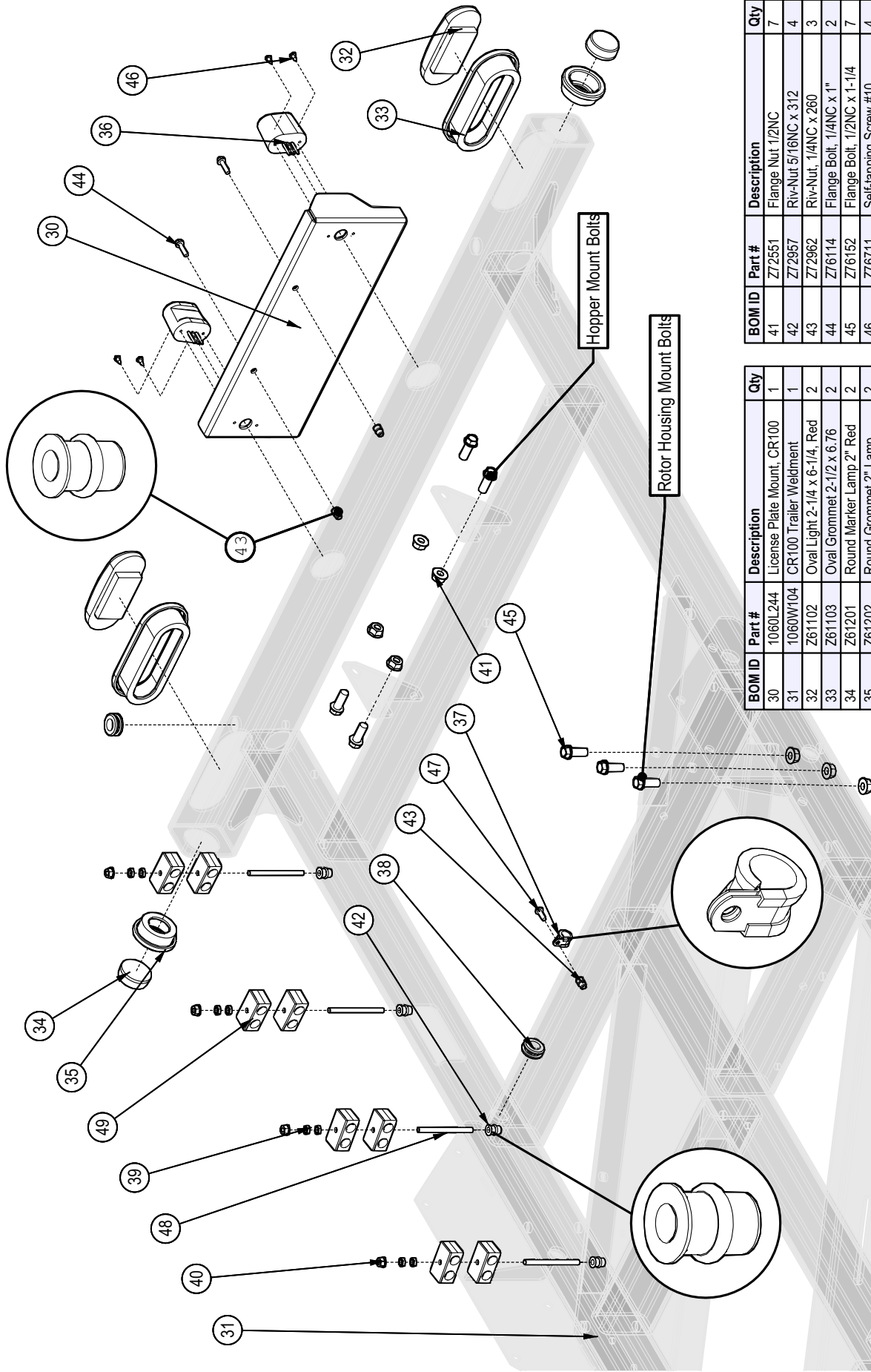
Frame Detail - Front

BOM ID	Part #	Description	Qty
15	1060W104	CR100 Trailer Weldment	1
16	Z61202	Round Grommet 2" Lamp	2
17	Z61205	Round Marker Lamp 2" Amber	2
18	Z62822	Rubber Grommet 3/4 x 1/4	4
19	Z71617	Hex Bolt, 5/8NC x 1-3/4	2
20	Z72261	Hex Lock Nut, 5/8NC	6
21	Z72551	Flange Nut 1/2NC	3
22	Z72969	Riv-Nut, 3/8NC x 3/2	2
23	Z72962	Riv-Nut, 1/4NC x 260	4
24	Z73161	Flat Washer, 5/8	6
25	Z76111	Flange Bolt, 1/4NC x 3/4	4
27	Z76152	Flange Bolt, 1/2NC x 1-1/4	3
28	Z76265	Carriage Bolt, 5/8NC x 3-1/2	4
29	Z76561	Rod End, 5/8NC x 6 Full Threads	2
30	Z72361	Jam Nut, 5/8NC	4



MODEL CR100 / CR100P

Frame Detail - Rear



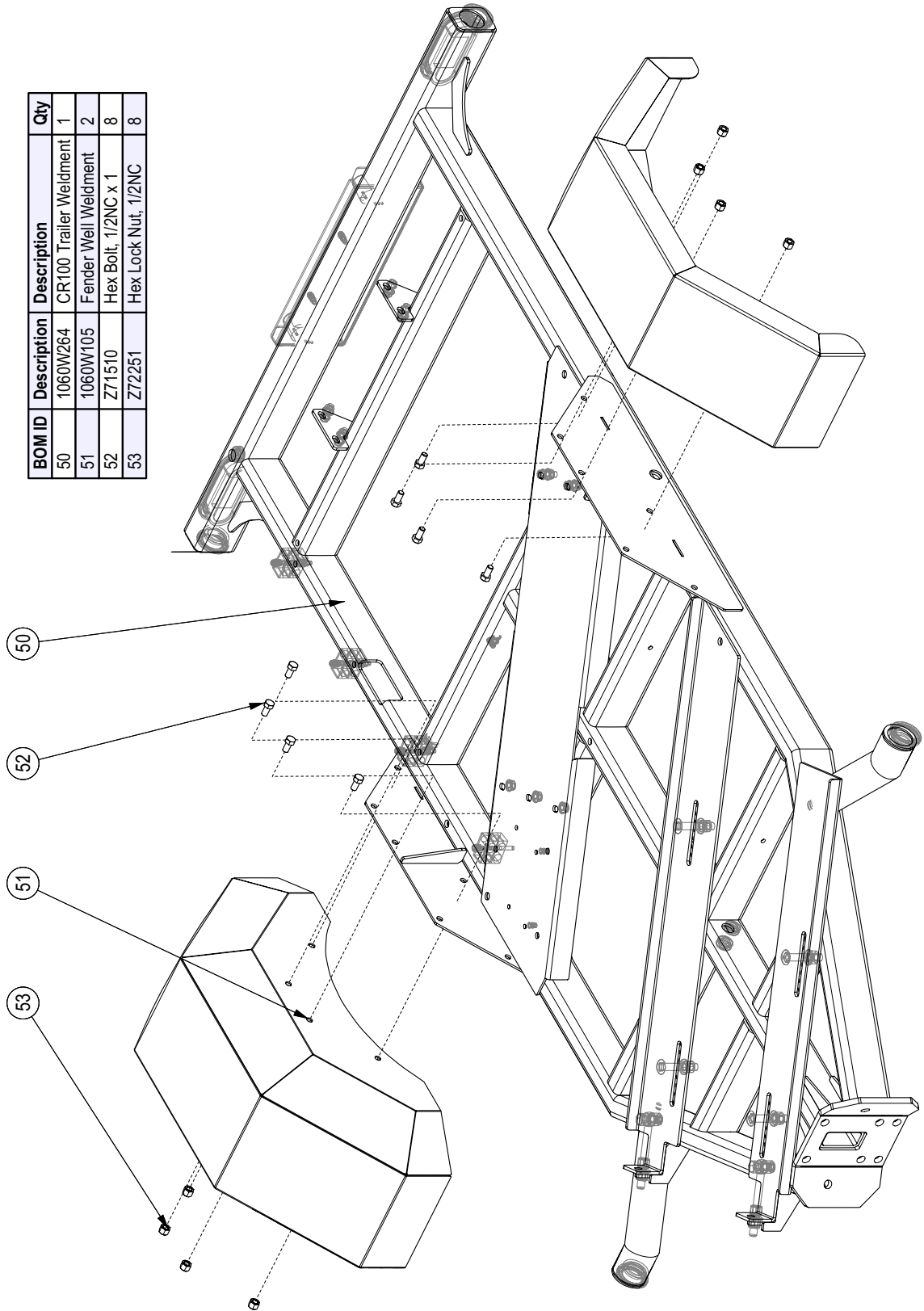
BOM ID	Part #	Description	Qty
41	Z72551	Flange Nut 1/2NC	7
42	Z72957	Riv-Nut 5/16NC x 3/2	4
43	Z72962	Riv-Nut 1/4NC x 260	3
44	Z76114	Flange Bolt 1/4NC x 1"	2
45	Z76152	Flange Bolt 1/2NC x 1-1/4	7
46	Z76711	Self-tapping Screw #10	4
47	Z79301	Machine Screw 1/4-20NC x 3/4	1
48	Z79141	Threaded Stud 5/16NC x 4"	4
49	Z79463	Double Hose Clamp 1 1/16"	8

BOM ID	Part #	Description	Qty
30	1060L244	License Plate Mount, CR100	1
31	1060W104	CR100 Trailer Weldment	1
32	Z61102	Oval Light 2-1/4 x 6-1/4, Red	2
33	Z61103	Oval Grommet 2-1/2 x 6.76	2
34	Z61201	Round Marker Lamp 2" Red	2
35	Z61202	Round Grommet 2" Lamp	2
36	Z61301	License Lamp	2
37	Z62819	Rubberized Wire Clamp, 1/2"	1
38	Z62822	Rubber Grommet 3/4 x 1/4	2
39	Z72321	Jam Nut, 5/16NC	8
40	Z72521	Flange Nut, 5/16NC	4

MODELS CR100, CR100P

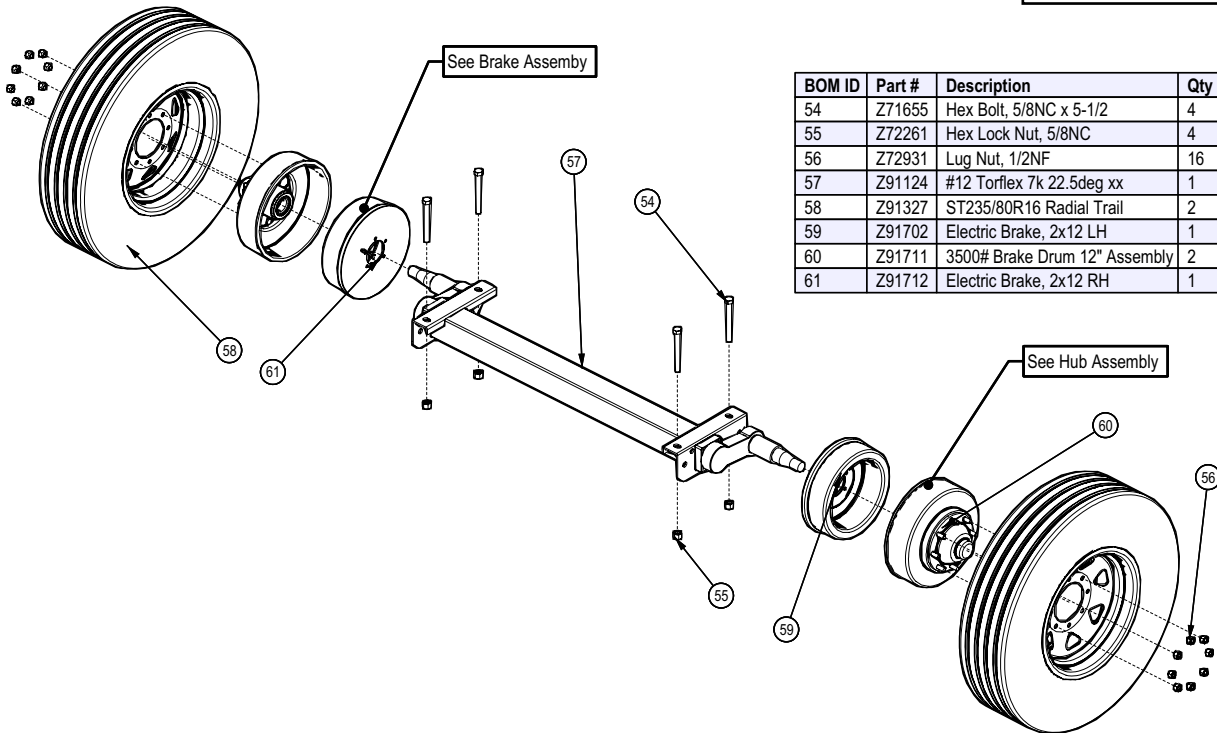
Frame & Fender Detail

BOM ID	Description	Description	Qty
50	1060W264	CR100 Trailer Weldment	1
51	1060W105	Fender Well Weldment	2
52	Z71510	Hex Bolt, 1/2NC x 1	8
53	Z72251	Hex Lock Nut, 1/2NC	8



Axle Ass'y

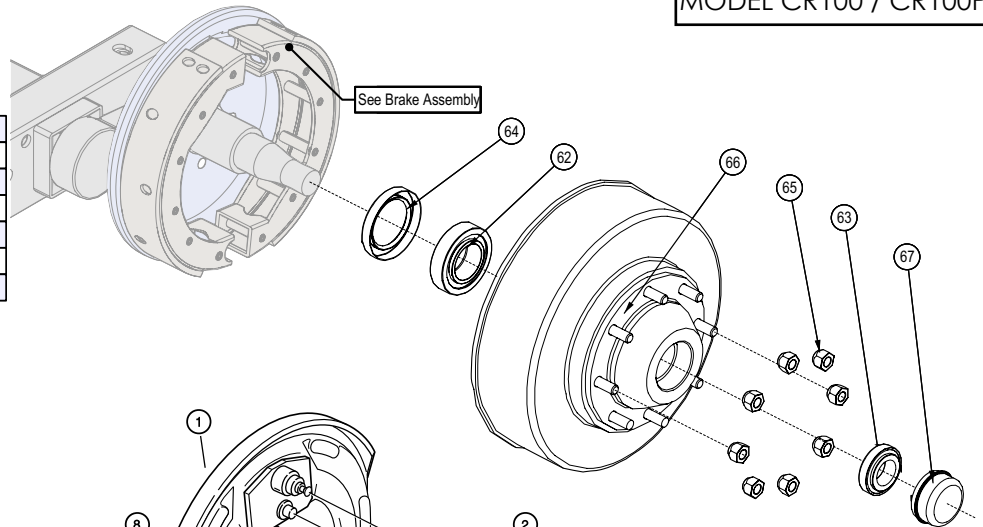
MODEL CR100 / CR100P



BOM ID	Part #	Description	Qty
54	Z71655	Hex Bolt, 5/8NC x 5-1/2	4
55	Z72261	Hex Lock Nut, 5/8NC	4
56	Z72931	Lug Nut, 1/2NF	16
57	Z91124	#12 Torflex 7k 22.5deg xx	1
58	Z91327	ST235/80R16 Radial Trail	2
59	Z91702	Electric Brake, 2x12 LH	1
60	Z91711	3500# Brake Drum 12" Assembly	2
61	Z91712	Electric Brake, 2x12 RH	1

Hub Assembly

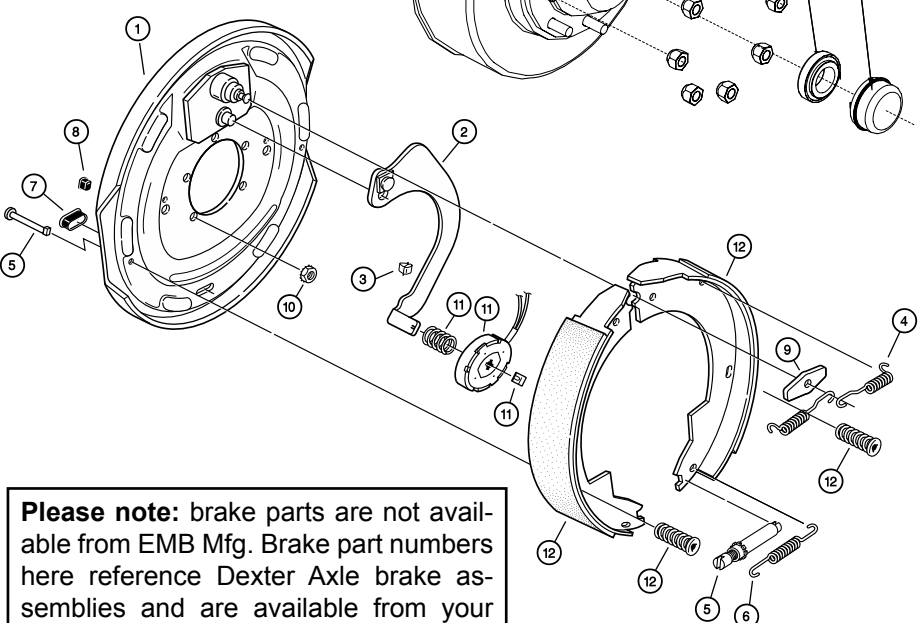
MODEL CR100 / CR100P



BOM ID	Part #	Description	Qty
62	Z23206	25580 Cone and 25520 Cup	1
63	Z23207	LM67048 Cone and LM67010 Cup	1
64	Z28203	Seal, Single Lip	1
65	Z72931	Lug Nut, 1/2NF	8
66	Z91710	3500# Brake Drum 12" 8 on 6-1/2 Bolts	1
67	Z91806	Dust Cap 2.33 Bore	1

Brake Assembly

Item	Part No.	Description	Qty
	Z91702	LH Complete Brake Assembly	1
	Z91712	RH Complete Brake Assembly (shown)	1
1	036-089-05	Backing Plate Assembly	1
2	047-107-05	LH Actuating Lever Arm Assembly	1
2	047-108-05	RH Actuating Lever Arm Assembly	1
3	027-005-00	Wire Clip	2
4	046-009-00	Retractor Spring	2
5	043-004-00	Adjuster Assembly	1
6	046-018-00	Adjusting Screw Spring	1
7	046-007-00	Adjuster Slot Plug	2
8	046-016-00	Wire Grommet	1
9	005-067-00	Anchor Post Washer	1
10	006-193-00	Nut Washer Assembly	5
11	K71-105-00	Magnet Kit Contains:	1
		Magnet (white wire)	1
		Magnet Clip	1
		Magnet Spring	1
12	K71-048-00	Shoe & Lining Kit Contains:	1
		Primary Shoe & Lining	1
		Secondary Shoe & Lining	1
		Shoe Hold Down Pin #2	2
		Shoe Hold Down Spring & Cup	2



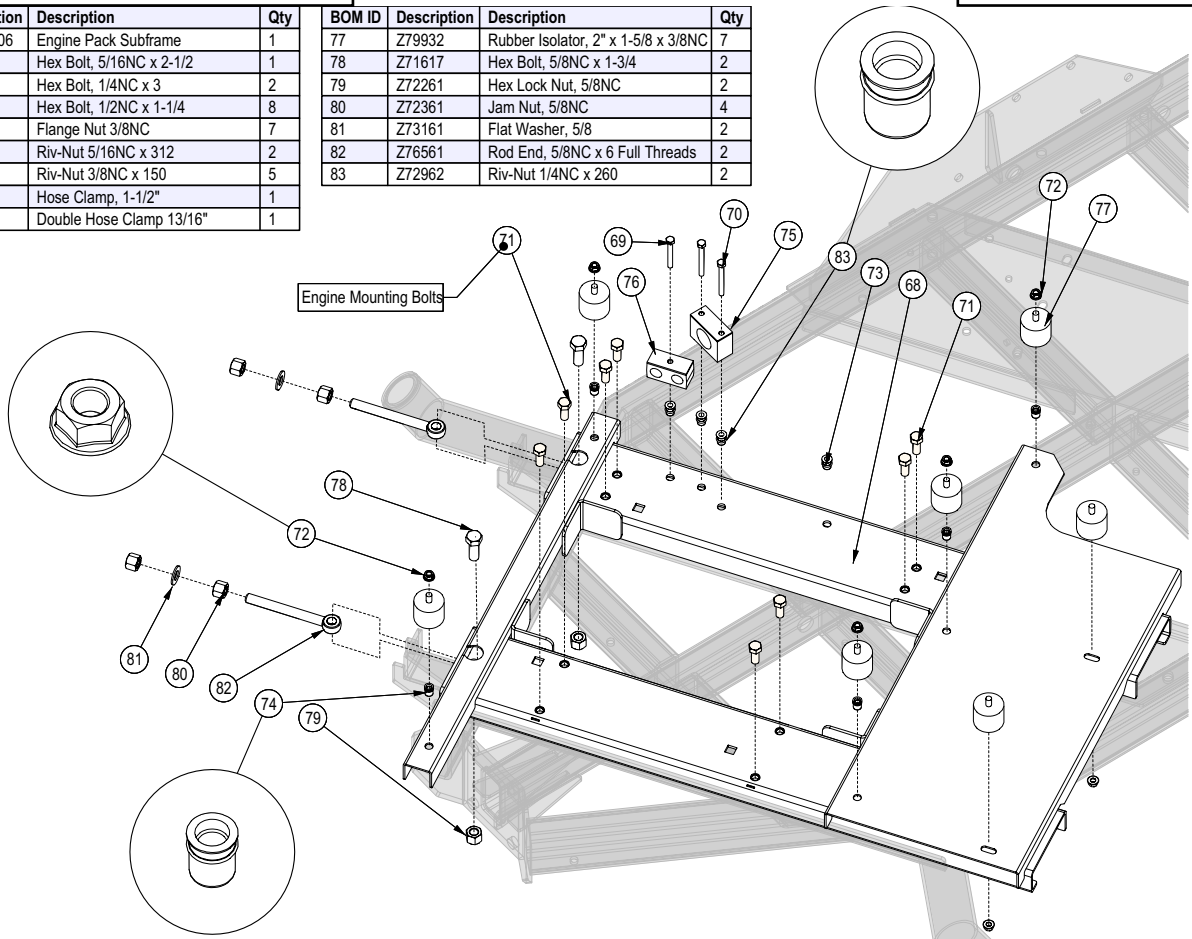
Please note: brake parts are not available from EMB Mfg. Brake part numbers here reference Dexter Axle brake assemblies and are available from your local auto parts dealer. All brake repair and maintenance should be done by a qualified mechanic.

Engine Carriage

MODEL CR100 / CR100P

BOM ID	Description	Description	Qty
68	1060W106	Engine Pack Subframe	1
69	Z71225	Hex Bolt, 5/16NC x 2-1/2	1
70	Z71230	Hex Bolt, 1/4NC x 3	2
71	Z71512	Hex Bolt, 1/2NC x 1-1/4	8
72	Z72531	Flange Nut 3/8NC	7
73	Z72957	Riv-Nut 5/16NC x 312	2
74	Z72958	Riv-Nut 3/8NC x 150	5
75	Z79457	Hose Clamp, 1-1/2"	1
76	Z79464	Double Hose Clamp 13/16"	1

BOM ID	Description	Description	Qty
77	Z79932	Rubber Isolator, 2" x 1-5/8 x 3/8NC	7
78	Z71617	Hex Bolt, 5/8NC x 1-3/4	2
79	Z72261	Hex Lock Nut, 5/8NC	2
80	Z72361	Jam Nut, 5/8NC	4
81	Z73161	Flat Washer, 5/8	2
82	Z76561	Rod End, 5/8NC x 6 Full Threads	2
83	Z72962	Riv-Nut 1/4NC x 260	2

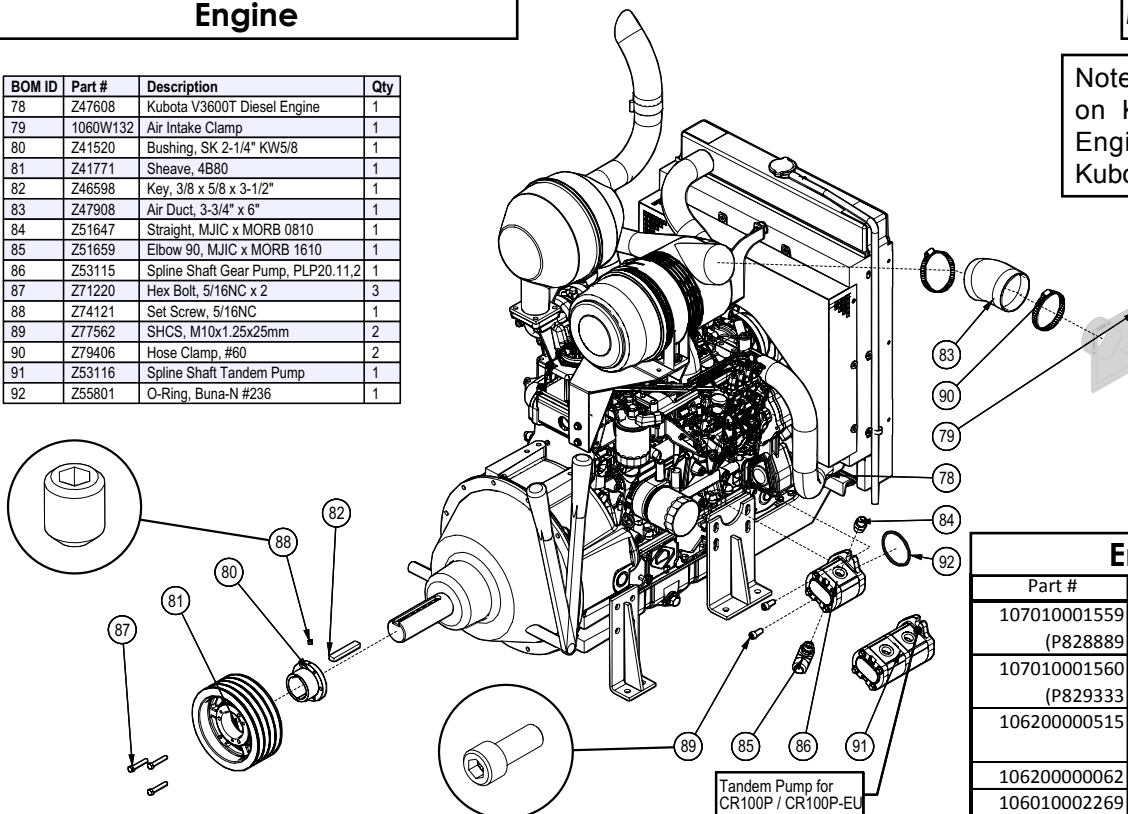


Engine

MODEL CR100 / CR100P

BOM ID	Part #	Description	Qty
78	Z47608	Kubota V3600T Diesel Engine	1
79	1060W132	Air Intake Clamp	1
80	Z41520	Bushing, SK 2-1/4" KW5/8	1
81	Z41771	Sheave, 4B80	1
82	Z46598	Key, 3/8 x 5/8 x 3-1/2"	1
83	Z47908	Air Duct, 3-3/4" x 6"	1
84	Z51647	Straight, MJIC x MORB 0810	1
85	Z51659	Elbow 90, MJIC x MORB 1610	1
86	Z53115	Spline Shaft Gear Pump, PLP20.11.2	1
87	Z71220	Hex Bolt, 5/16NC x 2	3
88	Z74121	Set Screw, 5/16NC	1
89	Z77562	SHCS, M10x1.25x25mm	2
90	Z79406	Hose Clamp, #60	2
91	Z53116	Spline Shaft Tandem Pump	1
92	Z55801	O-Ring, Buna-N #236	1

Note: for more information on Kubota V3600T Diesel Engine, please review the Kubota's Owners Manual.



Engine Parts

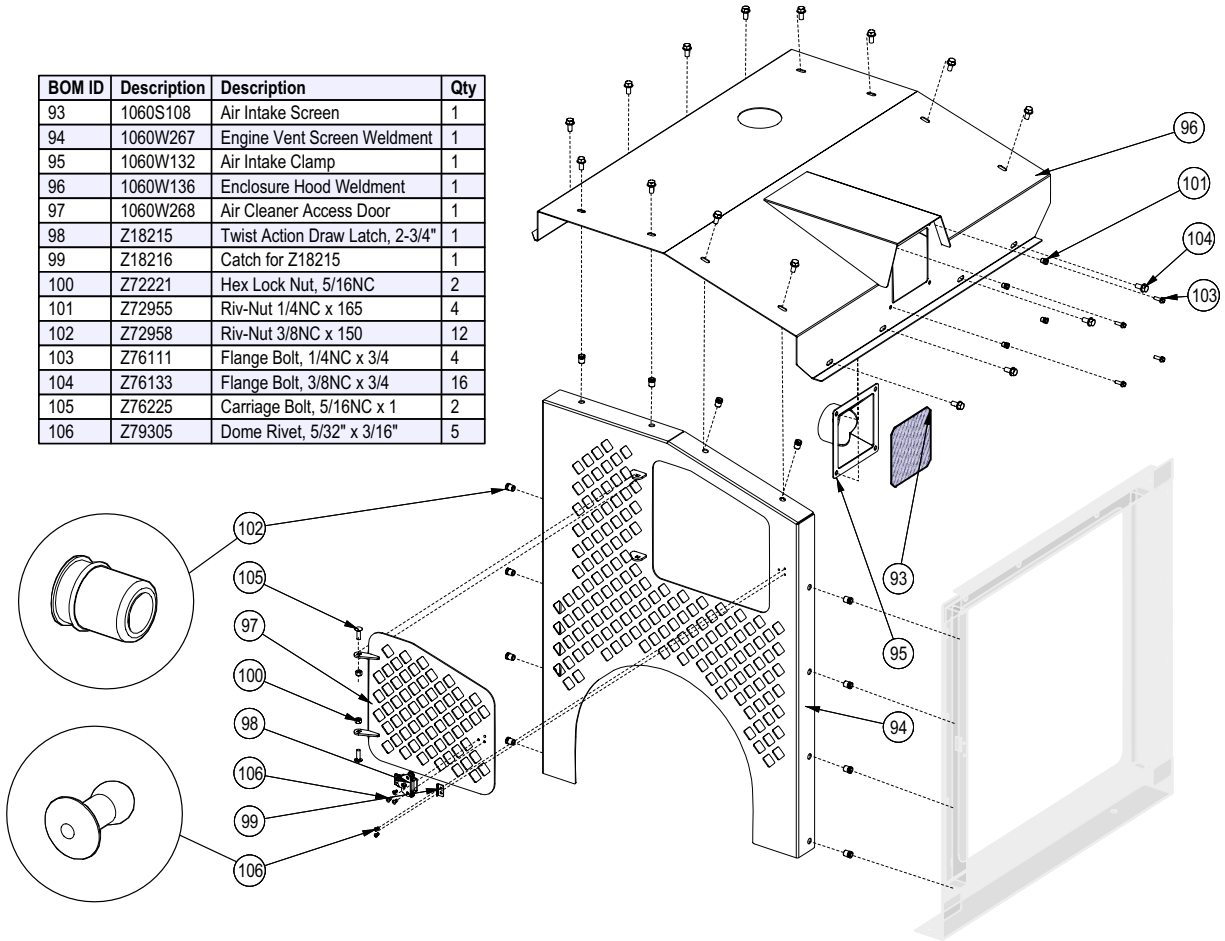
Part #	Description
107010001559 (P828889)	Primary Air Filter Element Donaldson Primary Filter
107010001560 (P829333)	Safety Element Donaldson Safety Element
106200000515	Air Filter Case (Includes Filters) (G082526)
106200000062	Coolant Overflow Bottle
106010002269	Rad Cap

Part #	Description
SK PL20-S/D-31	Seal Kit for Z53115 Pump
PL20/20-S/D-31/S7	Seal Kit for Z53116 Pump

Engine Compartment Shroud

MODEL CR100 / CR100P

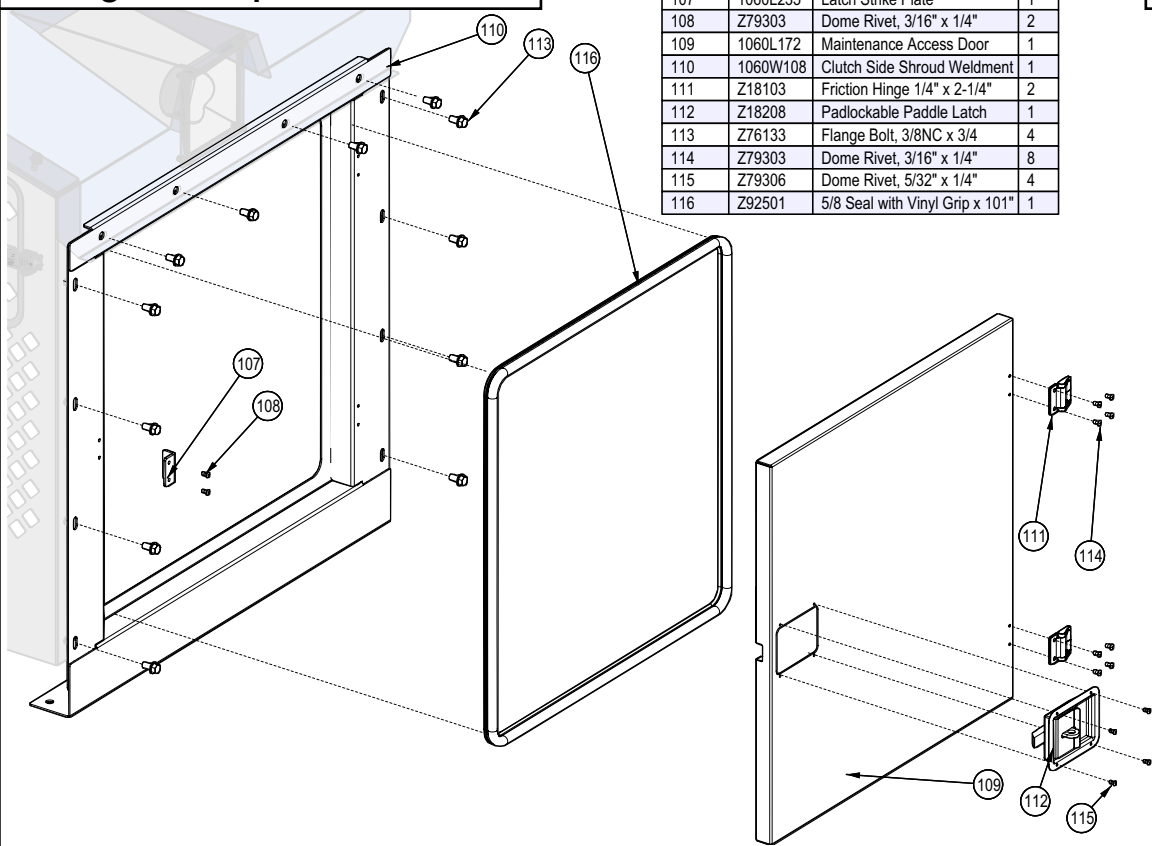
BOM ID	Description	Description	Qty
93	1060S108	Air Intake Screen	1
94	1060W267	Engine Vent Screen Weldment	1
95	1060W132	Air Intake Clamp	1
96	1060W136	Enclosure Hood Weldment	1
97	1060W268	Air Cleaner Access Door	1
98	Z18215	Twist Action Draw Latch, 2-3/4"	1
99	Z18216	Catch for Z18215	1
100	Z72221	Hex Lock Nut, 5/16NC	2
101	Z72955	Riv-Nut 1/4NC x 165	4
102	Z72958	Riv-Nut 3/8NC x 150	12
103	Z76111	Flange Bolt, 1/4NC x 3/4	4
104	Z76133	Flange Bolt, 3/8NC x 3/4	16
105	Z76225	Carriage Bolt, 5/16NC x 1	2
106	Z79305	Dome Rivet, 5/32" x 3/16"	5



Engine Compartment Door

MODEL CR100 / CR100P

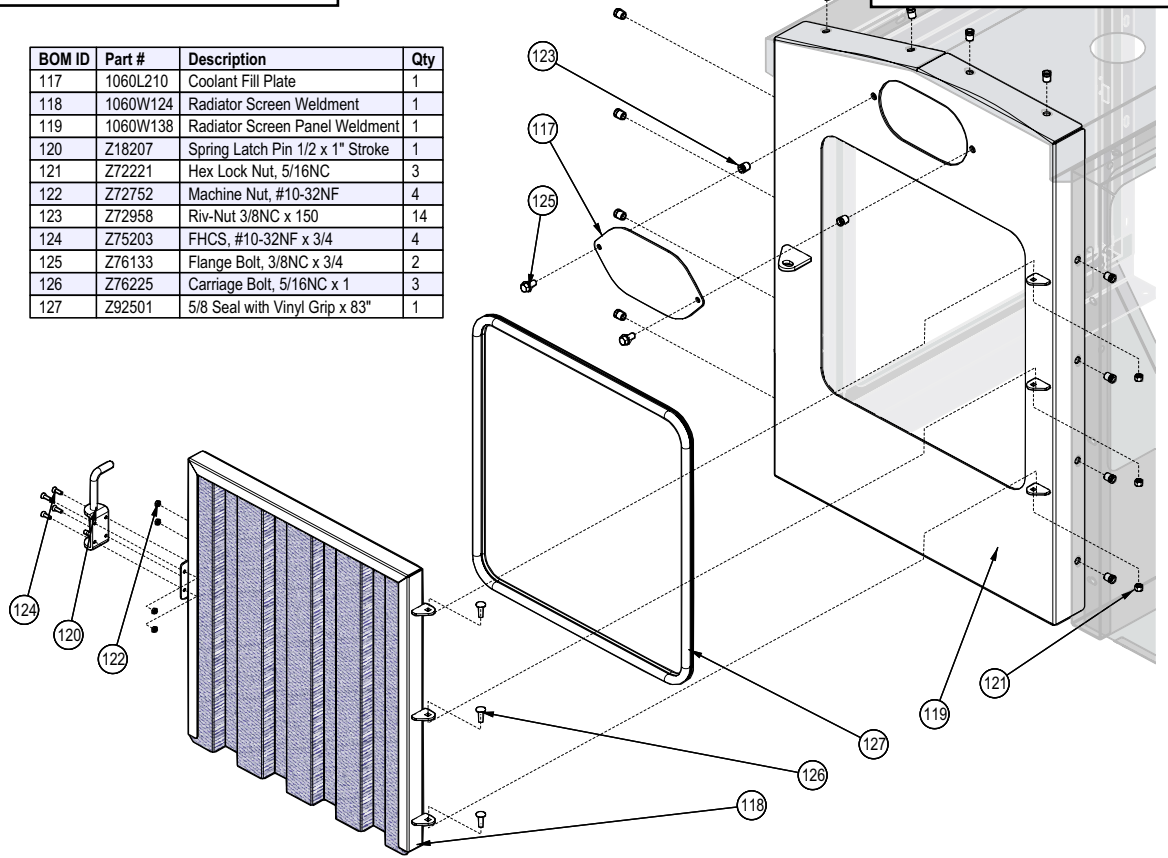
BOM ID	Part #	Description	Qty
107	1060L235	Latch Strike Plate	1
108	Z79303	Dome Rivet, 3/16" x 1/4"	2
109	1060L172	Maintenance Access Door	1
110	1060W108	Clutch Side Shroud Weldment	1
111	Z18103	Friction Hinge 1/4" x 2-1/4"	2
112	Z18208	Padlockable Paddle Latch	1
113	Z76133	Flange Bolt, 3/8NC x 3/4	4
114	Z79303	Dome Rivet, 3/16" x 1/4"	8
115	Z79306	Dome Rivet, 5/32" x 1/4"	4
116	Z92501	5/8 Seal with Vinyl Grip x 101"	1



Radiator Shroud & Screen Door

MODEL CR100 / CR100P

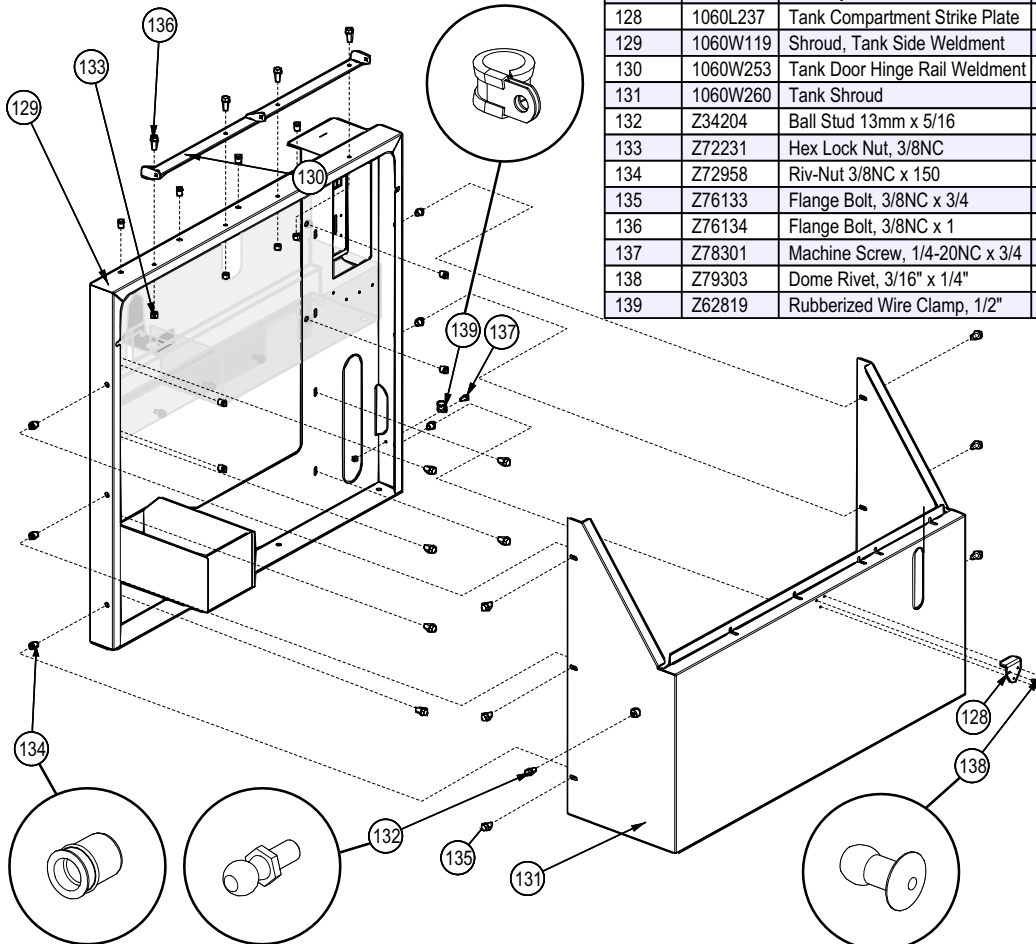
BOM ID	Part #	Description	Qty
117	1060L210	Coolant Fill Plate	1
118	1060W124	Radiator Screen Weldment	1
119	1060W138	Radiator Screen Panel Weldment	1
120	Z18207	Spring Latch Pin 1/2 x 1" Stroke	1
121	Z72221	Hex Lock Nut, 5/16NC	3
122	Z72752	Machine Nut, #10-32NF	4
123	Z72958	Riv-Nut 3/8NC x 150	14
124	Z75203	FHCS, #10-32NF x 3/4	4
125	Z76133	Flange Bolt, 3/8NC x 3/4	2
126	Z76225	Carriage Bolt, 5/16NC x 1	3
127	Z92501	5/8 Seal with Vinyl Grip x 83"	1

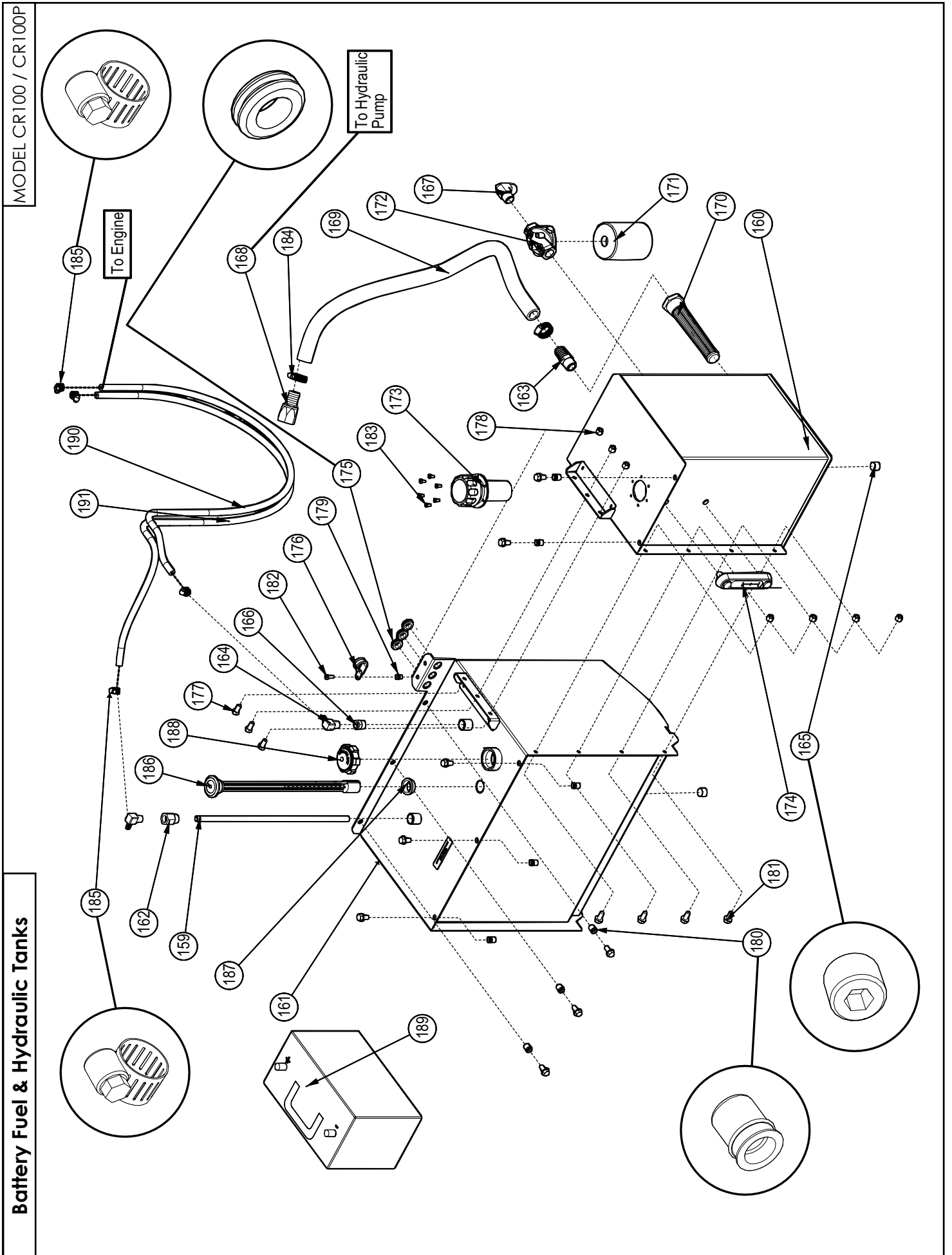


Tank Compartment Shroud

MODEL CR100 / CR100P

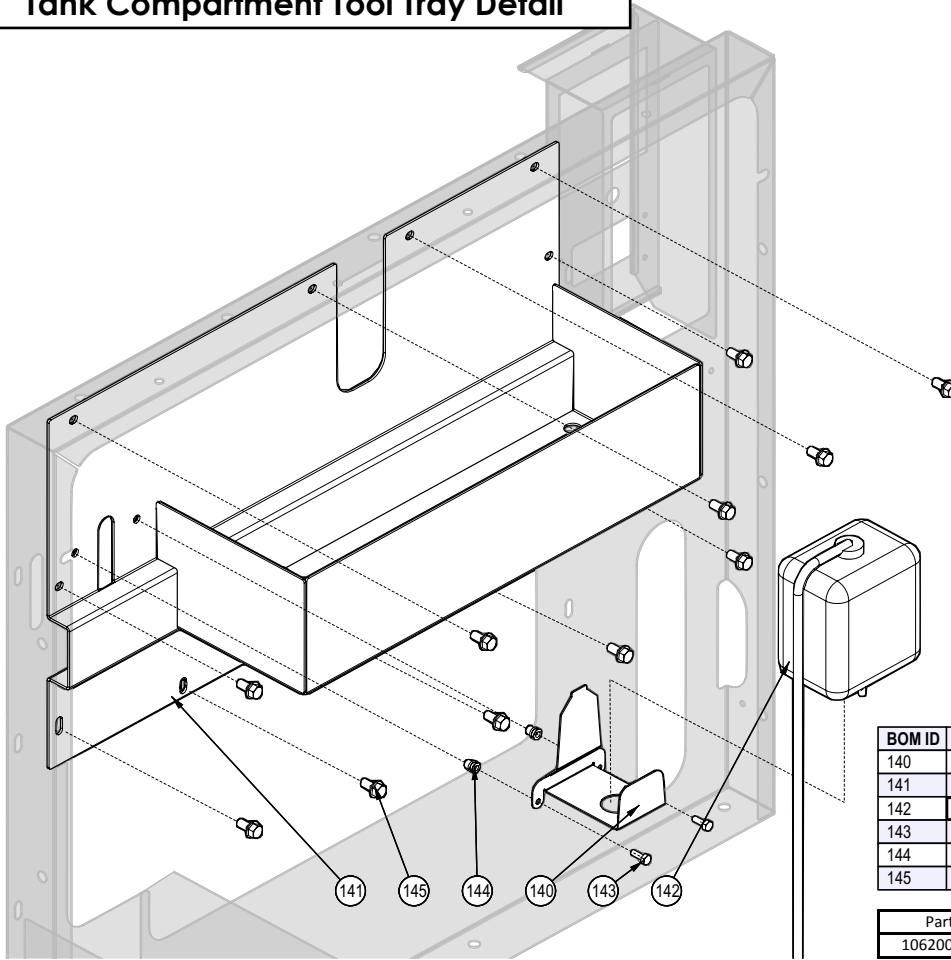
BOM ID	Part #	Description	Qty
128	1060L237	Tank Compartment Strike Plate	1
129	1060W119	Shroud, Tank Side Weldment	1
130	1060W253	Tank Door Hinge Rail Weldment	1
131	1060W260	Tank Shroud	1
132	Z34204	Ball Stud 13mm x 5/16	1
133	Z72231	Hex Lock Nut, 3/8NC	4
134	Z72958	Riv-Nut 3/8NC x 150	18
135	Z76133	Flange Bolt, 3/8NC x 3/4	12
136	Z76134	Flange Bolt, 3/8NC x 1	4
137	Z78301	Machine Screw, 1/4-20NC x 3/4	1
138	Z79303	Dome Rivet, 3/16" x 1/4"	3
139	Z62819	Rubberized Wire Clamp, 1/2"	1





Tank Compartment Tool Tray Detail

MODEL CR100 / CR100P



BOM ID	Part #	Description	Qty
140	1060L183	Coolant Overflow Bracket	1
141	1060W133	Toolbox Rail Weldment	1
142	see below	Coolant Overflow Bottle Kit	1
143	Z71107	Hex Bolt, 1/4NC x 3/4	2
144	Z72955	Riv-Nut 1/4NC x 165	2
145	Z76133	Flange Bolt, 3/8NC x 3/4	11

Part #	Description
106200000062	Coolant Overflow Bottle

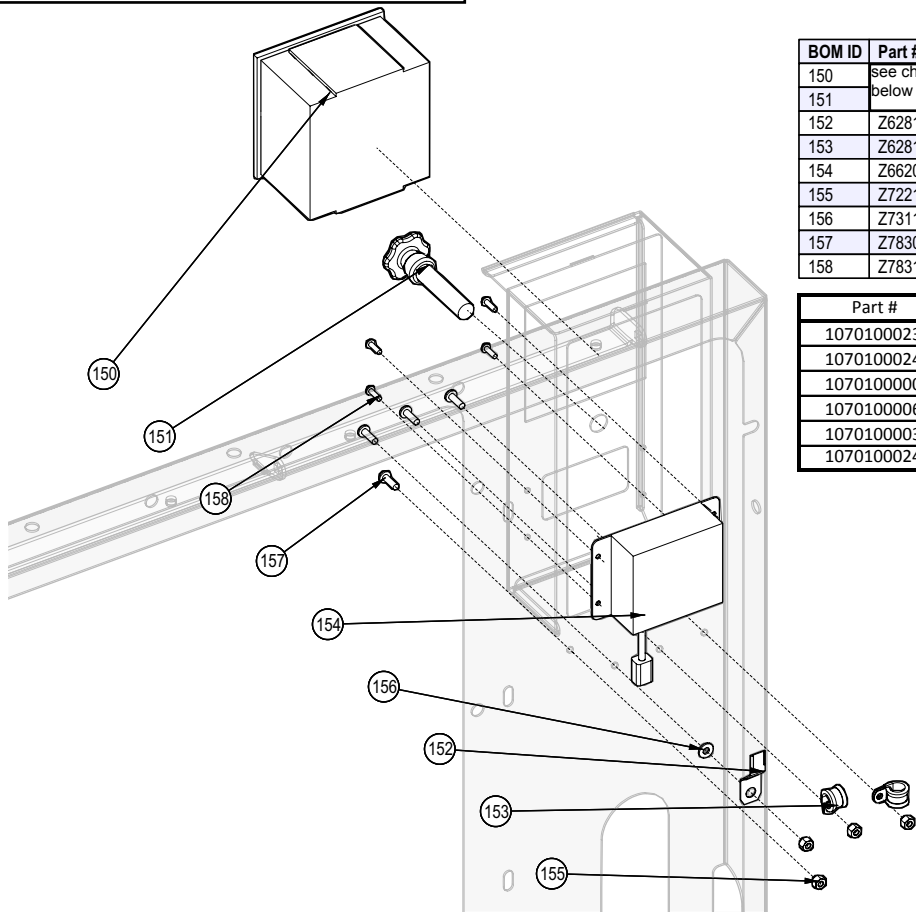
Battery Fuel & Hydraulic Tanks

Continued from page 12

BOM ID	Part #	Description	Qty
159	1060S103	Fuel Pickup Tube	1
160	1060W114	Hydraulic Tank Weldment	1
161	1060W115	Fuel Tank Weldment	1
162	1060m103	Custom Adapter MP08 x FP06	1
163	Z51188	Straight, HB x MP 1612	1
164	Z51189	Elbow 90 HB x MP 0506	2
165	Z51192	Socket Plug MP08	2
166	Z51226	Reducer, MP x FP 0806	1
167	Z51454	Elbow 90 MJIC X MP 1212	1
168	Z51594	Straight, HB x FJICX 1616	1
169	Z52422	1" Tank Truck Hose x 40"	1
170	Z55101	Suction Strainer, 10gpm	1
171	Z55301	Oil Filter - 3/4 - Particulate	1
172	Z55302	Filter Cap, 3/4 x 3/4	1
173	Z55401	Breather Filler Cap	1
174	Z55908	Reservoir Sight Level Thermometer	1
175	Z62823	Rubber Grommet 3/4 x 1/8	3
176	Z62824	Rubberized Wire Clamp, 1"	1
177	Z71307	Hex Bolt, 3/8NC x 3/4	3
178	Z72231	Hex Lock Nut, 3/8NC	7
179	Z72955	Riv-Nut 1/4NC x 165	1
180	Z72958	Riv-Nut 3/8NC x 150	10
181	Z76133	Flange Bolt, 3/8NC x 3/4	12
182	Z78301	Machine Screw, 1/4-20NC x 3/4	1
183	Z78303	Machine Screw, #10-32NF x 1/2	6
184	Z79401	Hose Clamp, #16	2
185	Z79405	Hose Clamp, #4	4
186	Z93112	Fuel Gauge, Grommet x 18"	1
187	Z93115	Remote Fuel Gauge Grommet	1
188	Z93116	TIPS Rollover Fuel Cap - Diesel	1
189	Z93217	Battery 31A-950	1
190	Z93311a	Fuel Line, 5/16 x 58"	1
191	Z93311b	Fuel Line, 5/16 x 66"	1

Control Panel

MODEL CR100 / CR100P

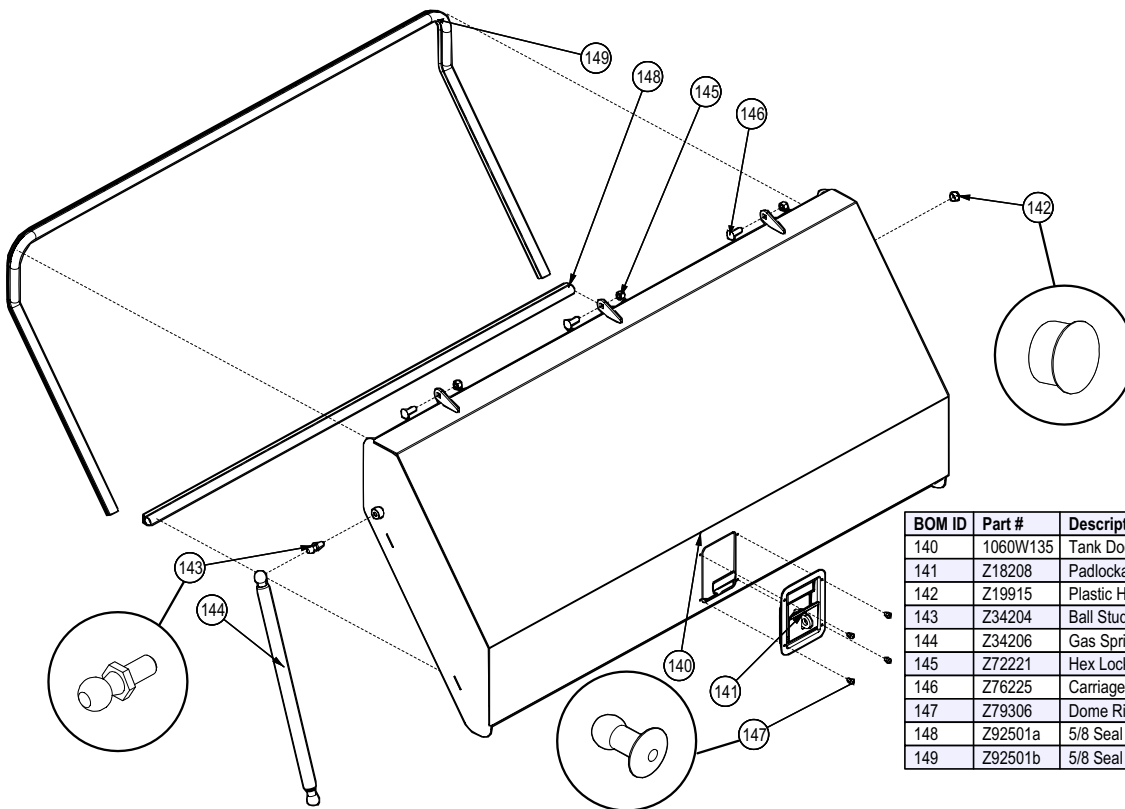


BOM ID	Part #	Description	Qty
150	see chart below	Engine Control Box	1
151		Kubota Throttle Assembly	1
152	Z62816	Deutsch Mounting Clip	1
153	Z62819	Rubberized Wire Clamp, 1/2"	2
154	Z66204	Control, IntelliFEED	1
155	Z72211	Hex Lock Nut, 1/4NC	4
156	Z73111	Flat Washer, 1/4	1
157	Z78301	Machine Screw, 1/4-20NC x 3/4	4
158	Z78312	Machine Screw, #10-24NC x 5/8	4

Part #	Description
107010002329	Lofa Panel
107010002445	Tachometer
107010000007	10' vernier cable
107010000610	Black Knob
107010000351	Pivot
107010002493	Threaded Hub

Tank Compartment Lid

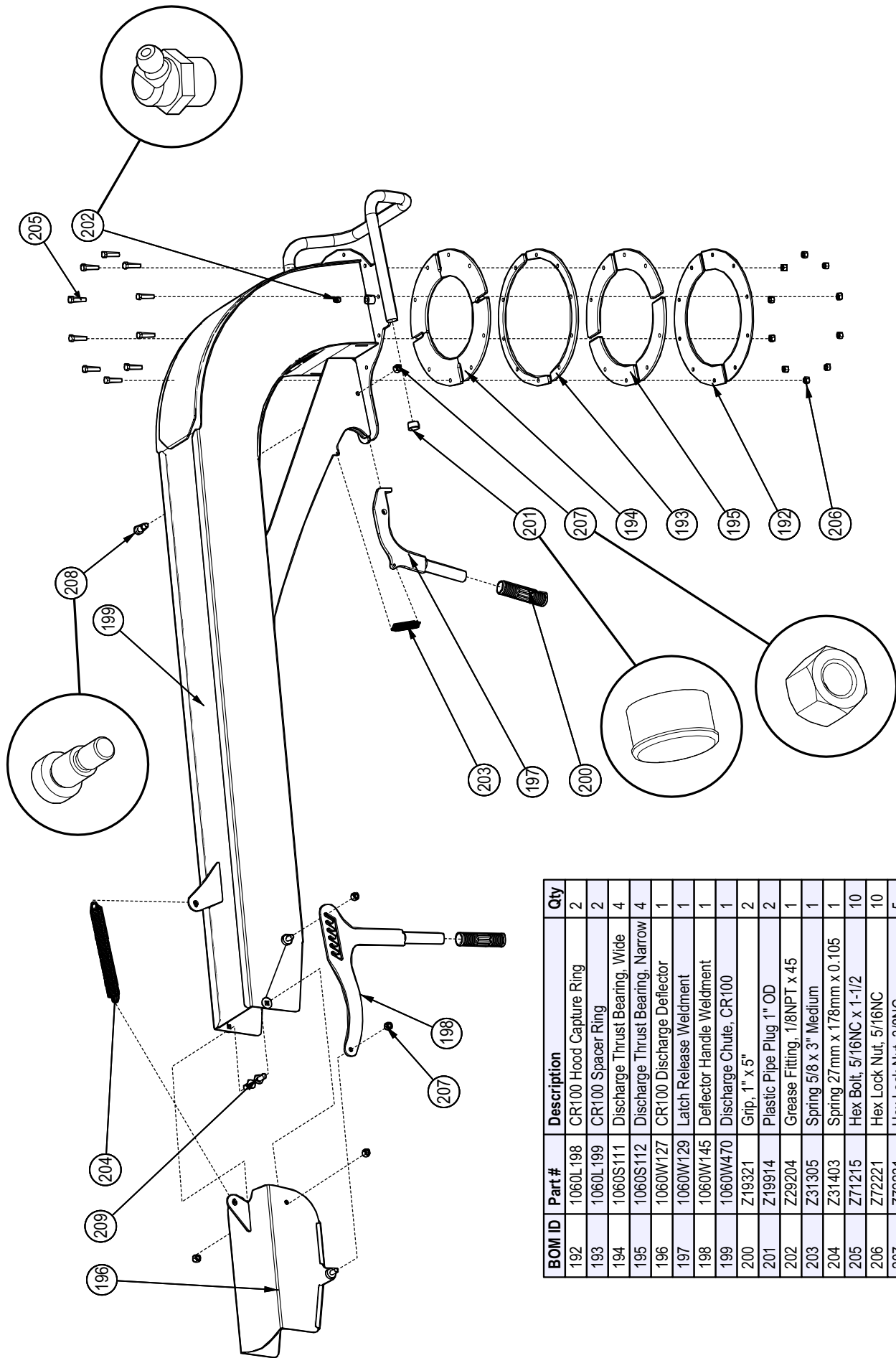
MODEL CR100 / CR100P



BOM ID	Part #	Description	Qty
140	1060W135	Tank Door	1
141	Z18208	Padlockable Paddle Latch	1
142	Z19915	Plastic Hole Plug 9/16"	1
143	Z34204	Ball Stud 13mm x 5/16	1
144	Z34206	Gas Spring, 10mm x 11" Stroke 50lbs	1
145	Z72221	Hex Lock Nut, 5/16NC	3
146	Z76225	Carriage Bolt, 5/16NC x 1	3
147	Z79306	Dome Rivet, 5/32" x 1/4"	4
148	Z92501a	5/8 Seal with Vinyl Grip x 42"	1
149	Z92501b	5/8 Seal with Vinyl Grip x 99"	1

MODEL CR100 / CR100P

Discharge Chute

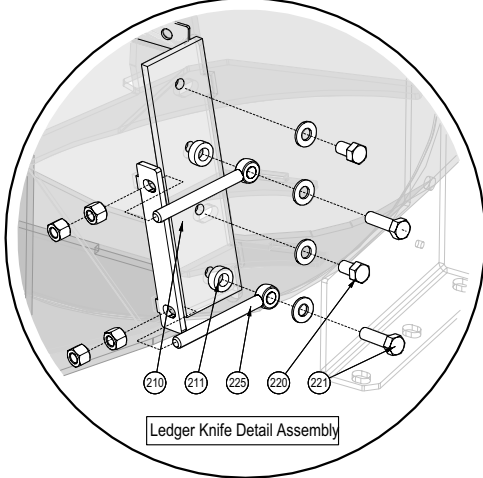
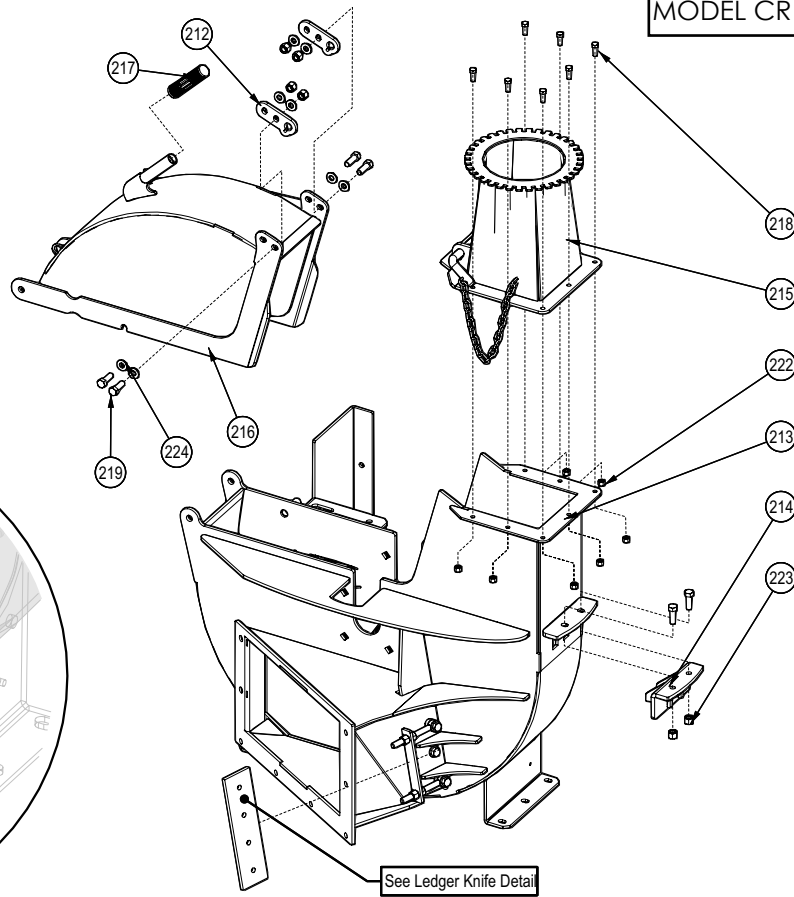


BOM ID	Part #	Description	Qty
192	1060L198	CR100 Hood Capture Ring	2
193	1060L199	CR100 Spacer Ring	2
194	1060S111	Discharge Thrust Bearing, Wide	4
195	1060S112	Discharge Thrust Bearing, Narrow	4
196	1060W127	CR100 Discharge Deflector	1
197	1060W129	Latch Release Weldment	1
198	1060W145	Deflector Handle Weldment	1
199	1060W470	Discharge Chute, CR100	1
200	Z19321	Grip, 1" x 5"	2
201	Z19914	Plastic Pipe Plug 1" OD	2
202	Z29204	Grease Fitting, 1/8NPT x 45	1
203	Z31305	Spring 5/8 x 3" Medium	1
204	Z31403	Spring 27mm x 178mm x 0.105	1
205	Z71215	Hex Bolt, 5/16NC x 1-1/2	10
206	Z72221	Hex Lock Nut, 5/16NC	10
207	Z72231	Hex Lock Nut, 3/8NC	5
208	Z75552	Shoulder Bolt, 1/2 x 5/8	1
209	Z76231	Carriage Bolt, 3/8NC x 1	2

Rotor Housing Rear

MODEL CR100 / CR100P

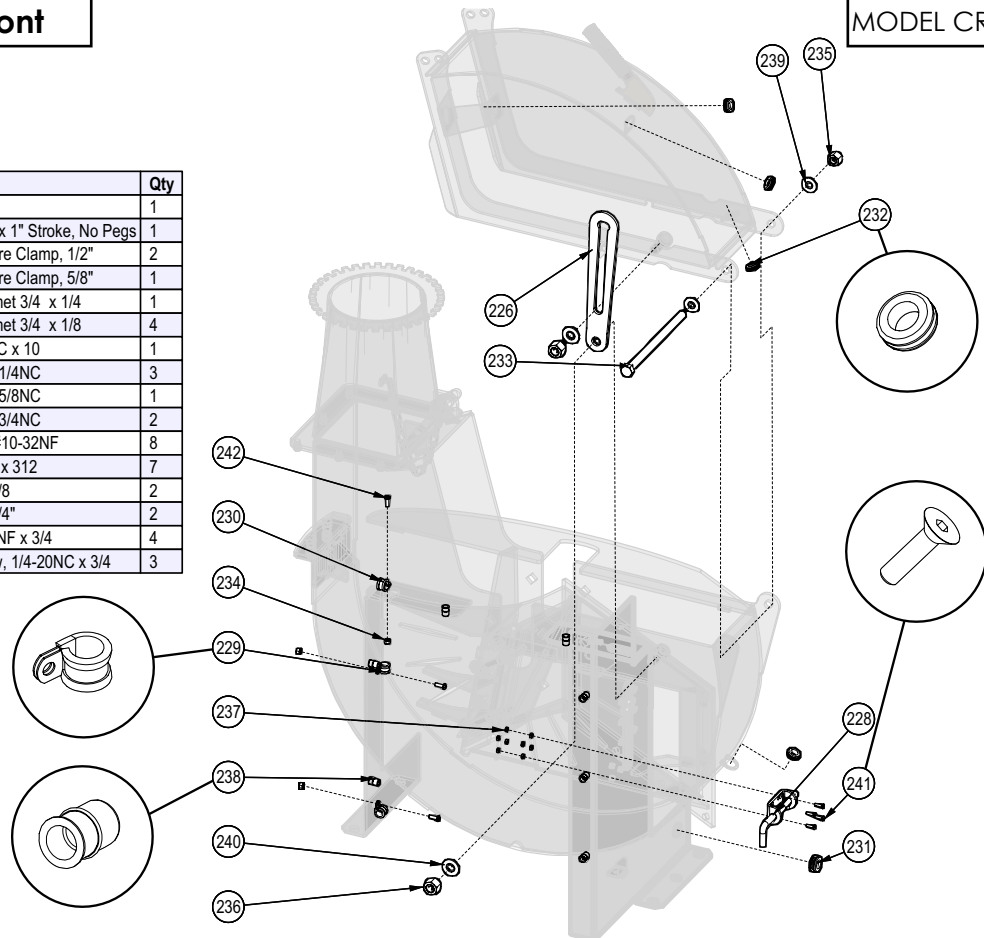
BOM ID	Part #	Description	Qty
210	1019M904	Knife, BX92 Ledger	1
211	1021L150	Ledger Washer	2
212	1060L284	Hood Closure Interface	2
213	1060W102	Lower Housing Weldment, Trailer	1
214	1060W103	Twig Breaker, CR100	1
215	1060W109	Square to Round Weldment	1
216	1060W126	CR100 Upper Housing	1
217	Z19321	Grip, 1" x 5"	1
218	Z71310	Hex Bolt, 3/8NC x 1	7
219	Z71515	Hex Bolt, 1/2NC x 1-1/2	6
221	Z71579G8	Hex Bolt, 1/2NF x 1-3/4 Gr8	2
222	Z72231	Hex Lock Nut, 3/8NC	7
223	Z72251	Hex Lock Nut, 1/2NC	10
224	Z73151	Flat Washer, 1/2	12
225	Z76552	Rod End, 1/2NC x 5" Full Threads	2



Rotor Housing Front

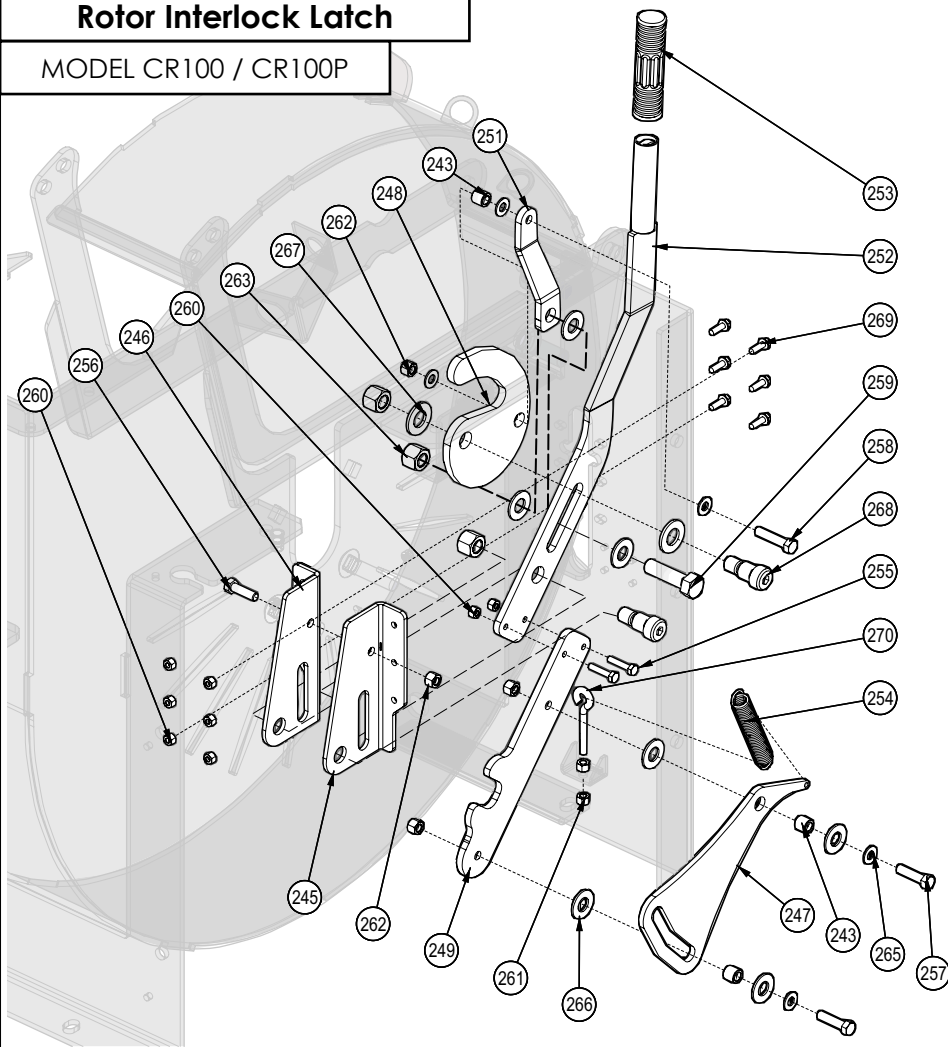
MODEL CR100 / CR100P

BOM ID	Part #	Description	Qty
226	1021L155	Rotation Stop	1
228	Z18210	Spring Pin 1/2 x 1" Stroke, No Pegs	1
229	Z62819	Rubberized Wire Clamp, 1/2"	2
230	Z62821	Rubberized Wire Clamp, 5/8"	1
231	Z62822	Rubber Grommet 3/4 x 1/4	1
232	Z62823	Rubber Grommet 3/4 x 1/8	4
233	Z71662	Hex Bolt, 5/8NC x 10	1
234	Z72211	Hex Lock Nut, 1/4NC	3
235	Z72261	Hex Lock Nut, 5/8NC	1
236	Z72271	Hex Lock Nut, 3/4NC	2
237	Z72752	Machine Nut, #10-32NF	8
238	Z72959	Riv-Nut 3/8NC x 312	7
239	Z73161	Flat Washer, 5/8	2
240	Z73171	Flat Washer, 3/4"	2
241	Z75203	FHCS, #10-32NF x 3/4	4
242	Z78301	Machine Screw, 1/4-20NC x 3/4	3



Rotor Interlock Latch

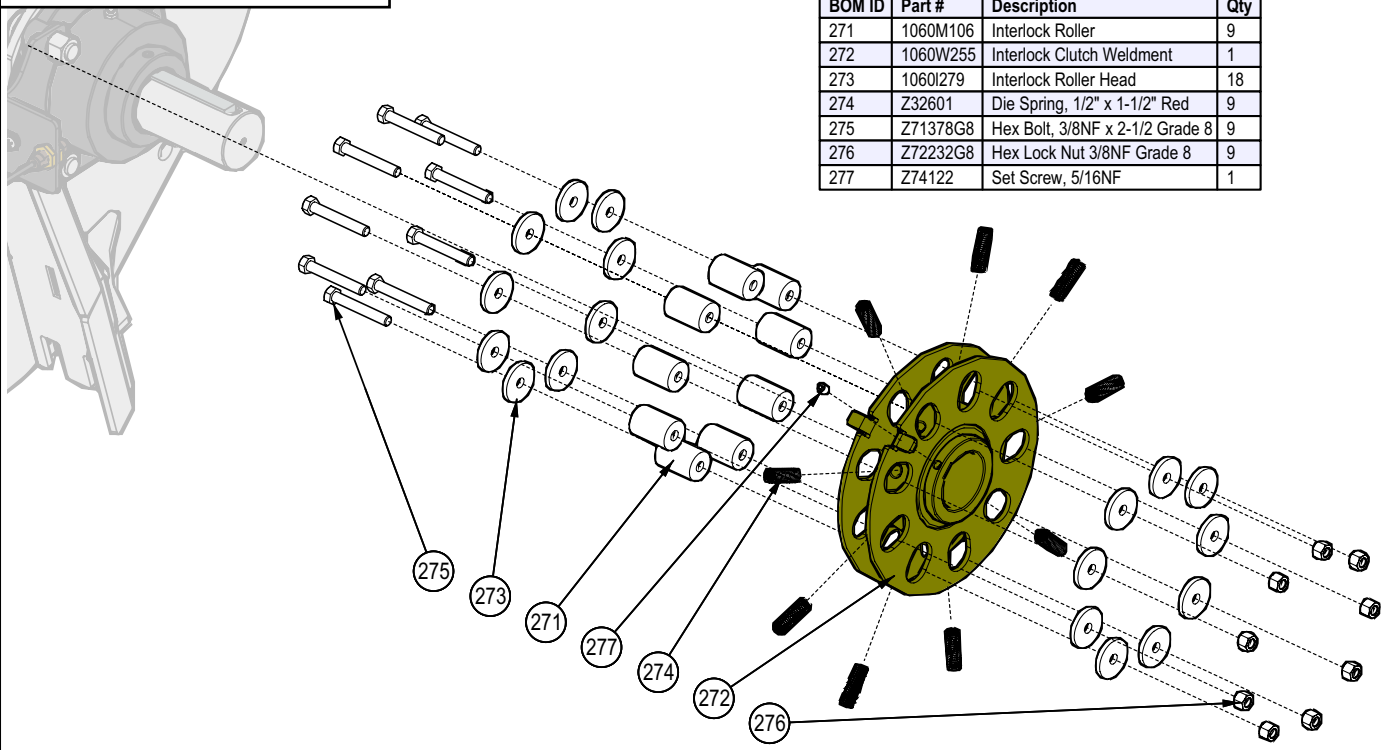
MODEL CR100 / CR100P



BOM ID	Part #	Description	Qty
243	1056M115	Spacer, Shredder .580	3
245	1060L281	Interlock Handle Base LH	1
246	1060L281H	1060L281 Mirror	1
247	1060L282	Interlock Early Warning	1
248	1060L287	Rotor Hood Safety Latch	1
249	1060L328	Interlock Tip	1
251	1060L330	Linkage	1
252	1060W256	Interlock Engage Handle	1
253	Z19321	Grip, 1" x 5"	1
254	Z31401	Spring 3/4 x 4" Heavy	1
255	Z71112	Hex Bolt, 1/4NC x 1-1/4	2
256	Z71312	Hex Bolt, 3/8NC x 1-1/4	1
257	Z71315	Hex Bolt, 3/8NC x 1-1/2	2
258	Z71317	Hex Bolt, 3/8NC x 1-3/4	1
259	Z71622	Hex Bolt, 5/8NC x 2-1/4	1
260	Z72211	Hex Lock Nut, 1/4NC	8
261	Z72221	Hex Lock Nut, 5/16NC	2
262	Z72231	Hex Lock Nut, 3/8NC	4
263	Z72261	Hex Lock Nut, 5/8NC	3
265	Z73131	Flat Washer, 3/8	5
266	Z73161	Flat Washer, 5/8	7
267	Z73171	Flat Washer, 3/4"	2
268	Z75572	Shoulder Bolt, 3/4 x 3/4	2
269	Z76111	Flange Bolt, 1/4NC x 3/4	6
270	Z76522	Eye Bolt 5/16NC x 2	1

Rotor Interlock Clutch

MODEL CR100 / CR100P

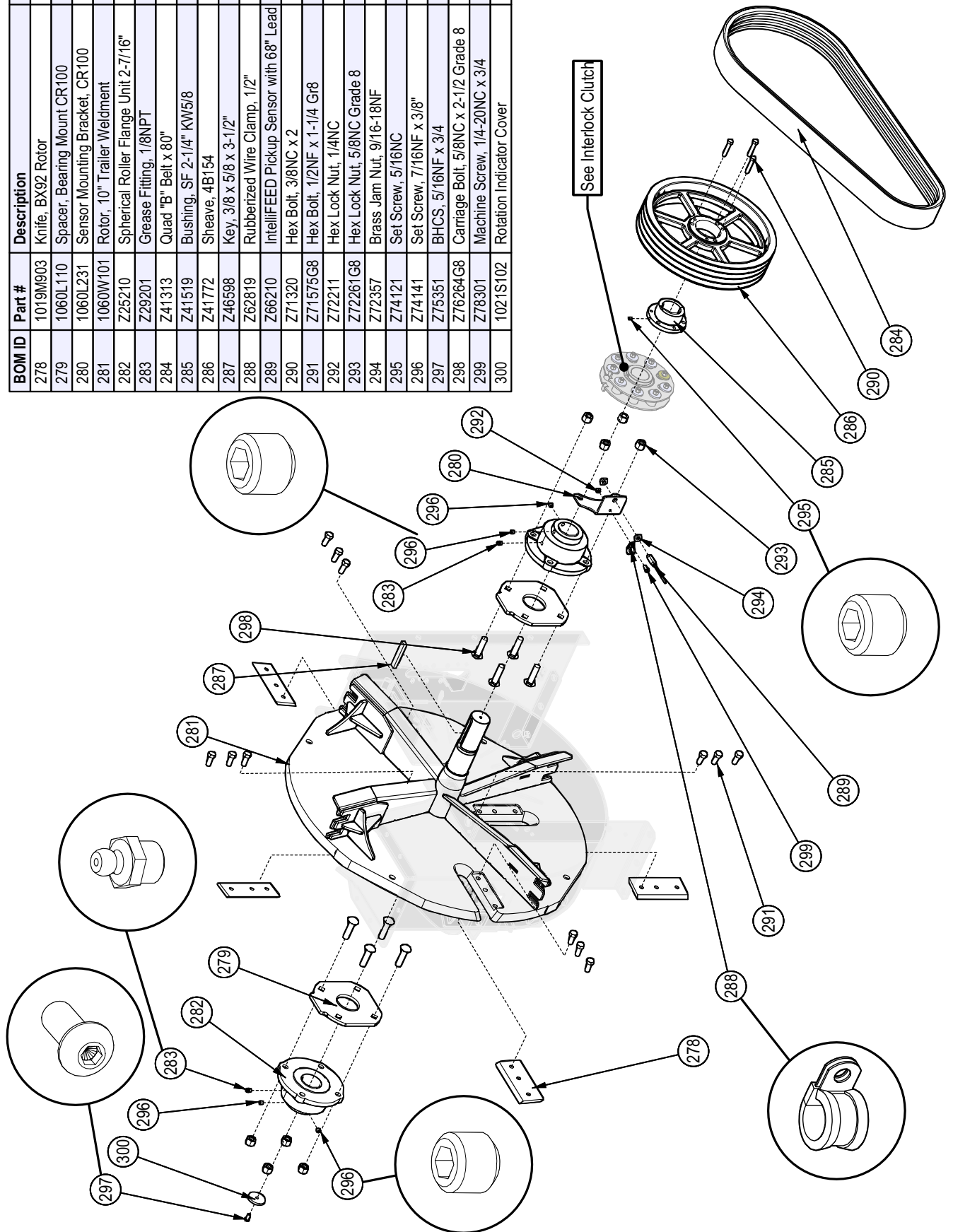


BOM ID	Part #	Description	Qty
271	1060M106	Interlock Roller	9
272	1060W255	Interlock Clutch Weldment	1
273	1060I279	Interlock Roller Head	18
274	Z32601	Die Spring, 1/2" x 1-1/2" Red	9
275	Z71378G8	Hex Bolt, 3/8NF x 2-1/2 Grade 8	9
276	Z72232G8	Hex Lock Nut 3/8NF Grade 8	9
277	Z74122	Set Screw, 5/16NF	1

MODEL CR100 / CR100P

Rotor Assembly

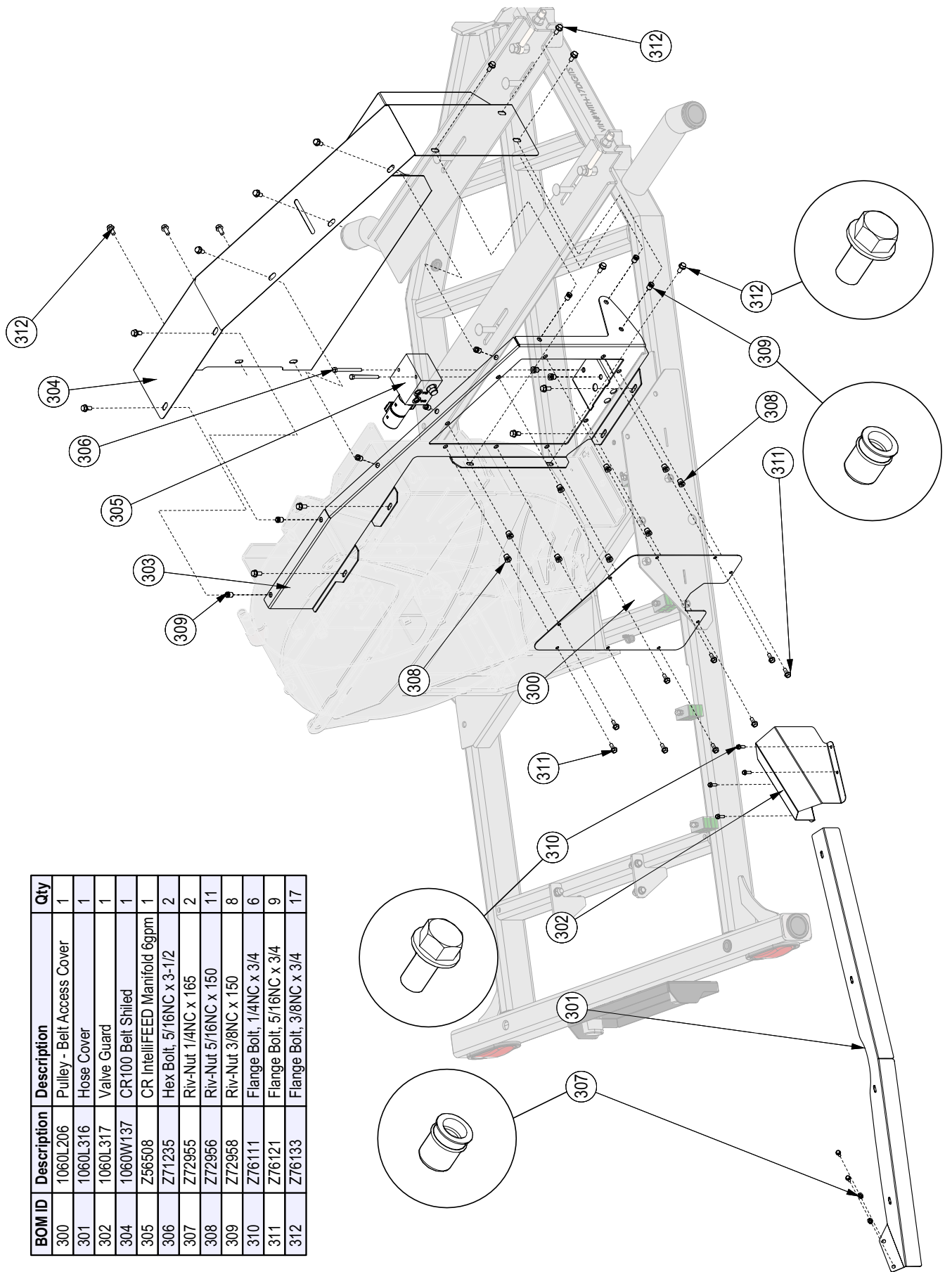
BOM ID	Part #	Description	Qty
278	1019M903	Knife, BX92 Rotor	4
279	1060L110	Spacer, Bearing Mount CR100	2
280	1060L231	Sensor Mounting Bracket, CR100	1
281	1060W101	Rotor, 10" Trailer Weldment	1
282	Z25210	Spherical Roller Flange Unit 2-7/16"	2
283	Z29201	Grease Fitting, 1/8NPT	2
284	Z41313	Quad "B" Belt x 80"	1
285	Z41519	Bushing, SF 2-1/4" KW5/8	1
286	Z41772	Sheave, 4B154	1
287	Z46598	Key, 3/8 x 5/8 x 3-1/2"	1
288	Z62819	Rubberized Wire Clamp, 1/2"	1
289	Z66210	IntelliFEED Pickup Sensor with 68" Lead	1
290	Z71320	Hex Bolt, 3/8NC x 2	3
291	Z71575G8	Hex Bolt, 1/2NF x 1-1/4 Gr8	12
292	Z72211	Hex Lock Nut, 1/4NC	1
293	Z72261G8	Hex Lock Nut, 5/8NC Grade 8	8
294	Z72357	Brass Jam Nut, 9/16-18NF	2
295	Z74121	Set Screw, 5/16NC	1
296	Z74141	Set Screw, 7/16NF x 3/8"	4
297	Z75351	BHCS, 5/16NF x 3/4	1
298	Z76264G8	Carriage Bolt, 5/8NC x 2-1/2 Grade 8	8
299	Z78301	Machine Screw, 1/4-20NC x 3/4	1
300	1021S102	Rotation Indicator Cover	1

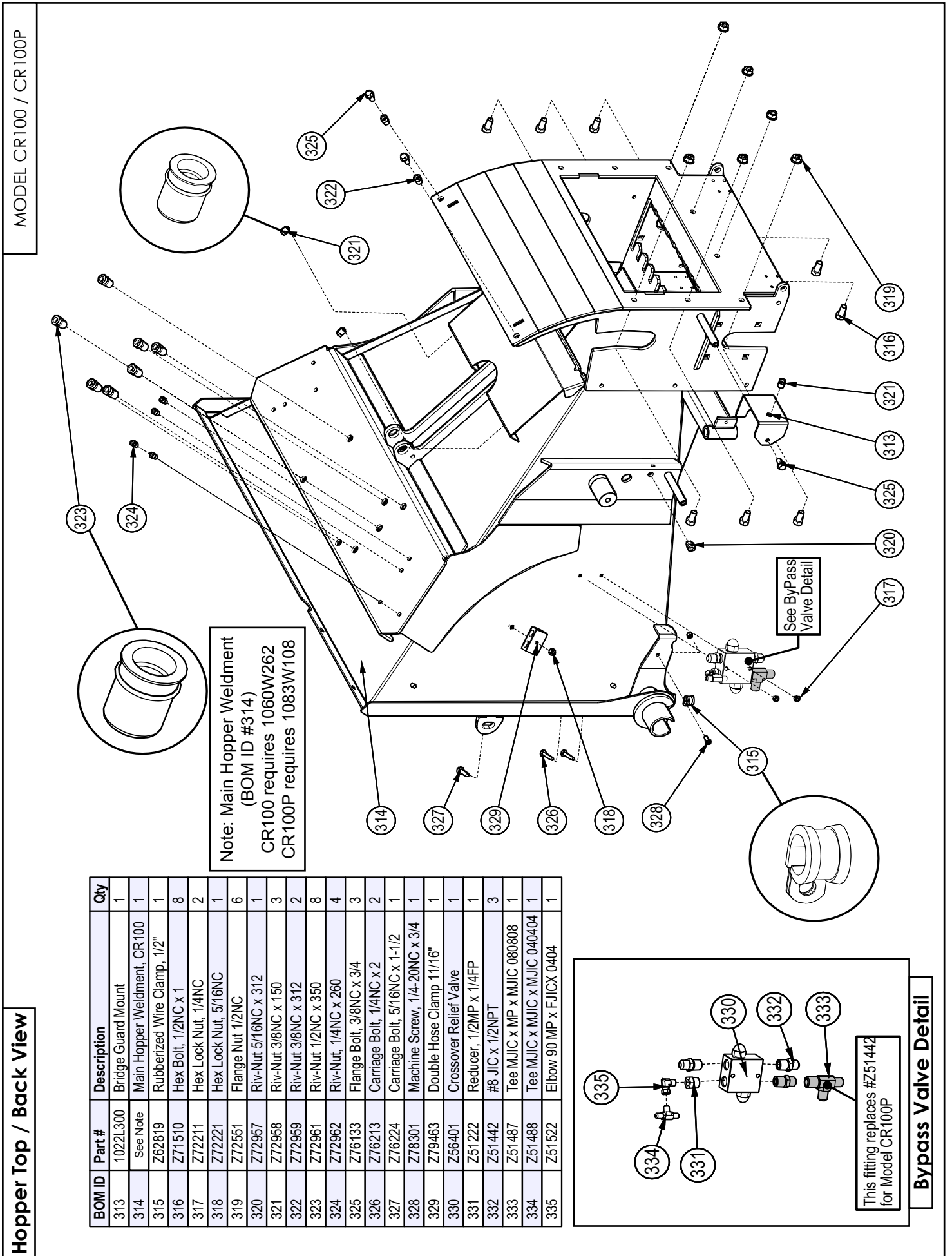


MODEL CR100 / CR100P

Pulley Shroud

BOM ID	Description	Description	Qty
300	1060L206	Pulley - Belt Access Cover	1
301	1060L316	Hose Cover	1
302	1060L317	Valve Guard	1
304	1060W137	CR100 Belt Shield	1
305	Z56508	CR INTELLIFEED Manifold 6gpm	1
306	Z71235	Hex Bolt, 5/16NC x 3-1/2	2
307	Z72955	Riv-Nut 1/4NC x 165	2
308	Z72956	Riv-Nut 5/16NC x 150	11
309	Z72958	Riv-Nut 3/8NC x 150	8
310	Z76111	Flange Bolt, 1/4NC x 3/4	6
311	Z76121	Flange Bolt, 5/16NC x 3/4	9
312	Z76133	Flange Bolt, 3/8NC x 3/4	17





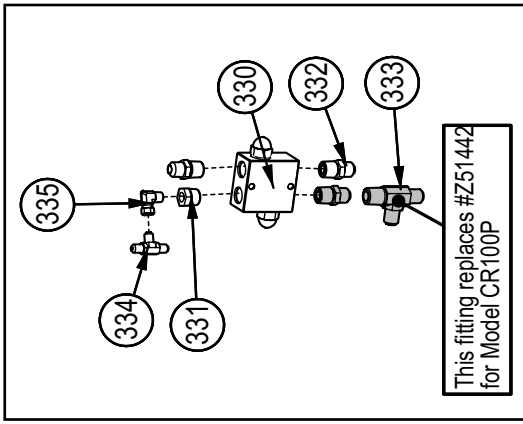
MODEL CR100 / CR100P

Hopper Top / Back View

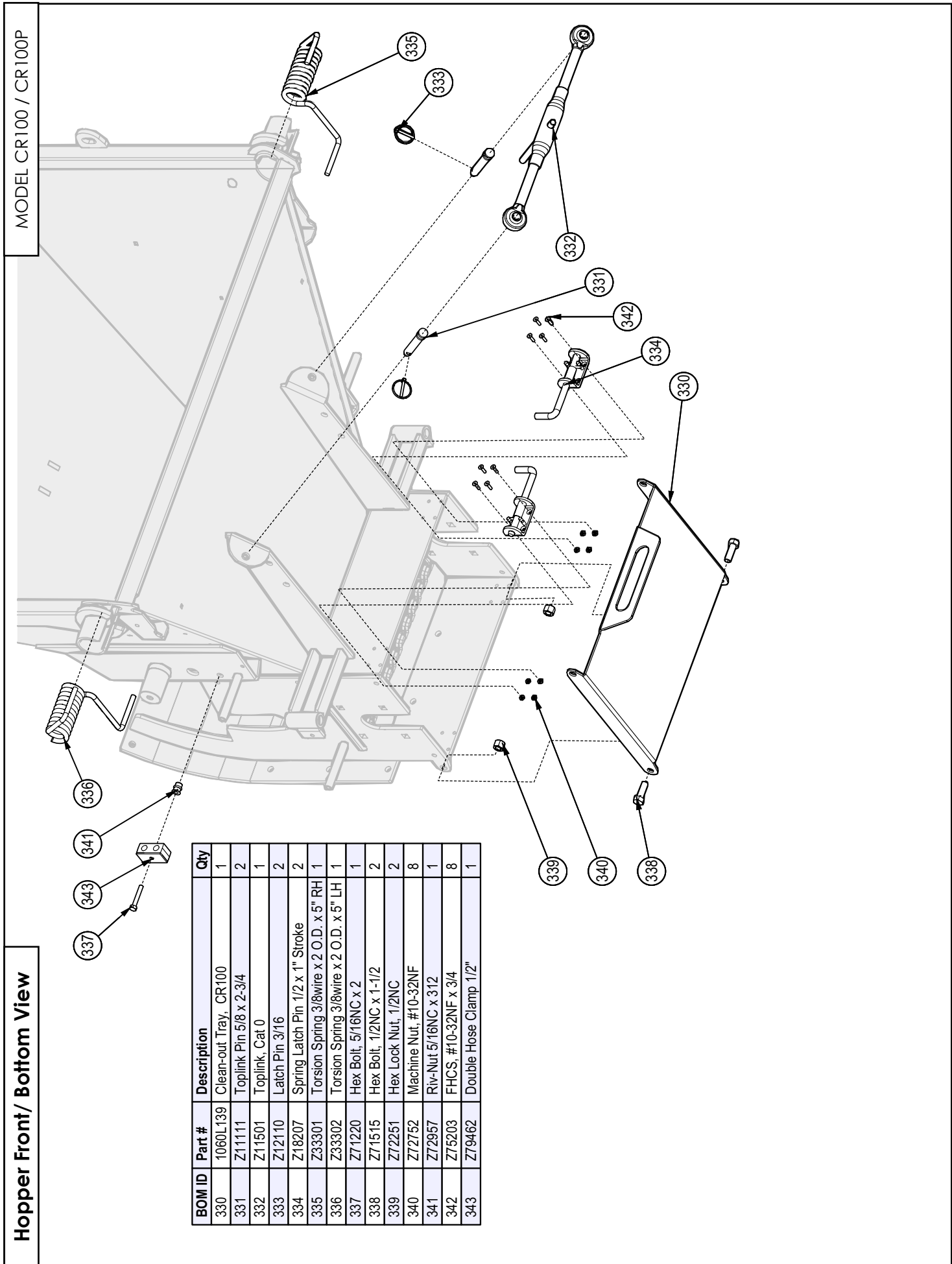
BOM ID	Part #	Description	Qty
313	1022L300	Bridge Guard Mount	1
314	See Note	Main Hopper Weldment, CR100	1
315	Z62819	Rubberized Wire Clamp, 1/2"	1
316	Z71510	Hex Bolt, 1/2NC x 1	8
317	Z72211	Hex Lock Nut, 1/4NC	2
318	Z72221	Hex Lock Nut, 5/16NC	1
319	Z72551	Flange Nut 1/2NC	6
320	Z72957	Riv-Nut 5/16NC x 312	1
321	Z72958	Riv-Nut 3/8NC x 150	3
322	Z72959	Riv-Nut 3/8NC x 312	2
323	Z72961	Riv-Nut 1/2NC x 350	8
324	Z72962	Riv-Nut, 1/4NC x 260	4
325	Z76133	Flange Bolt, 3/8NC x 3/4	3
326	Z76213	Carriage Bolt, 1/4NC x 2	2
327	Z76224	Carriage Bolt, 5/16NC x 1-1/2	1
328	Z78301	Machine Screw, 1/4-20NC x 3/4	1
329	Z79463	Double Hose Clamp 11/16"	1
330	Z56401	Crossover Relief Valve	1
331	Z51222	Reducer, 1/2MP x 1/4FP	1
332	Z51442	#8 JIC x 1/2NPT	3
333	Z51487	Tee MJIC x MP x MJIC 080808	1
334	Z51488	Tee MJIC x MJIC x MJIC 040404	1
335	Z51522	Elbow 90 MP x FJICX 0404	1

Note: Main Hopper Weldment (BOM ID #314)
 CR100 requires 1060W262
 CR100P requires 1083W108

See Bypass Valve Detail



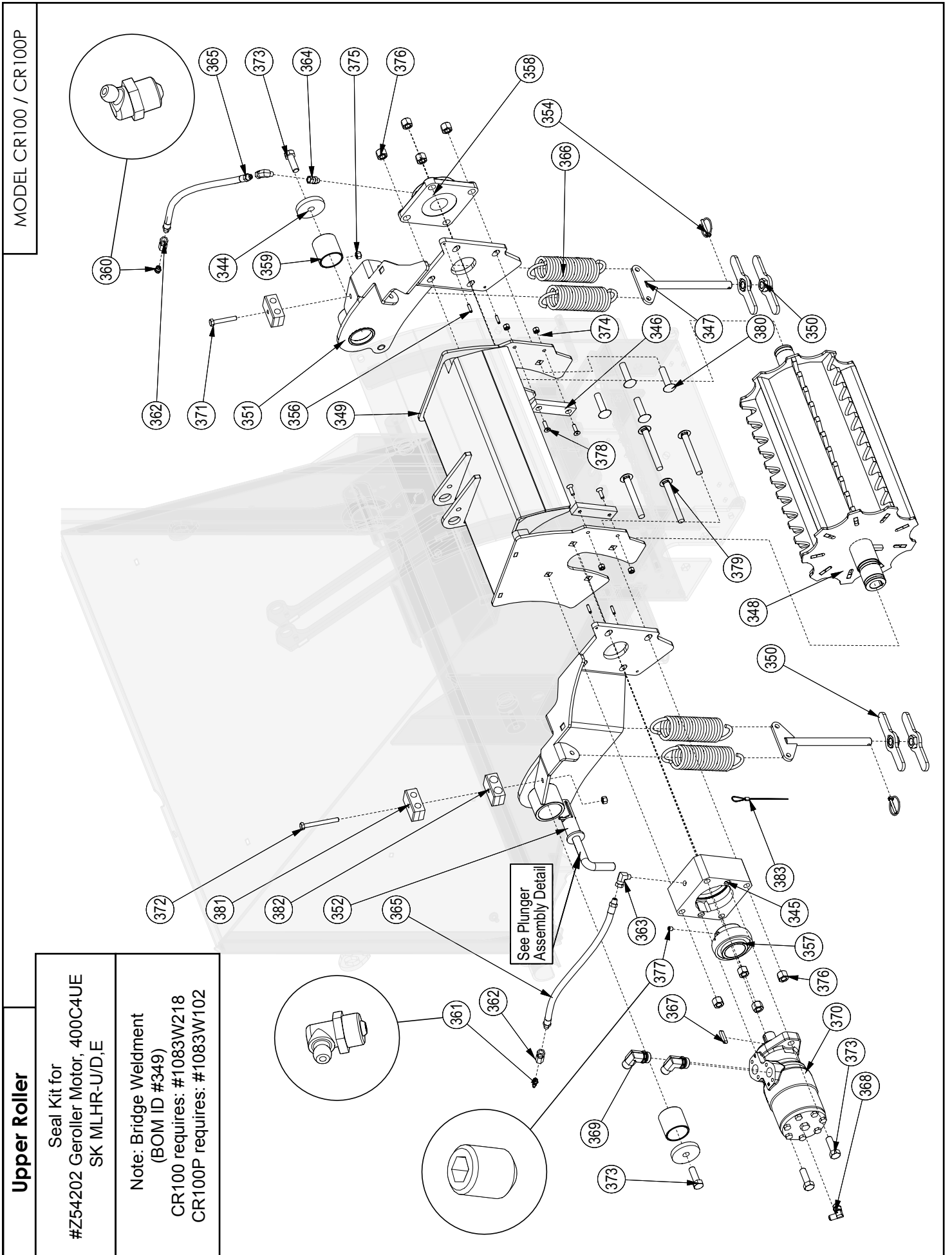
Bypass Valve Detail



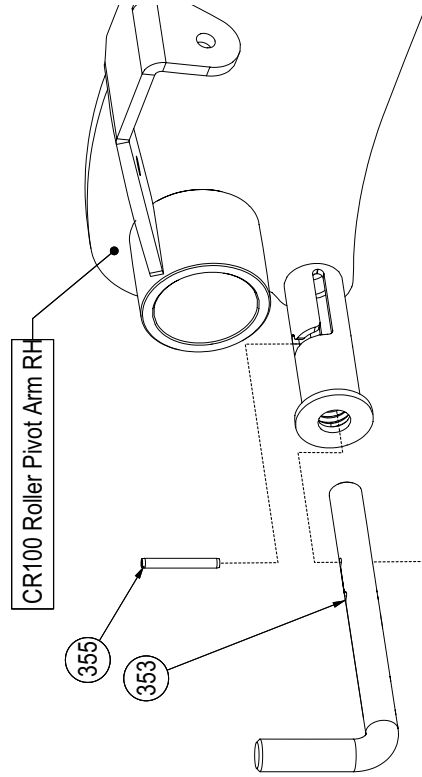
MODEL CR100 / CR100P

Hopper Front/ Bottom View

BOM ID	Part #	Description	Qty
330	1060L139	Clean-out Tray, CR100	1
331	Z11111	Toplink Pin 5/8 x 2-3/4	2
332	Z11501	Toplink, Cat 0	1
333	Z12110	Latch Pin 3/16	2
334	Z18207	Spring Latch Pin 1/2 x 1" Stroke	2
335	Z33301	Torsion Spring 3/8wire x 2 O.D. x 5" RH	1
336	Z33302	Torsion Spring 3/8wire x 2 O.D. x 5" LH	1
337	Z71220	Hex Bolt, 5/16NC x 2	1
338	Z71515	Hex Bolt, 1/2NC x 1-1/2	2
339	Z72251	Hex Lock Nut, 1/2NC	2
340	Z72752	Machine Nut, #10-32NF	8
341	Z72957	Riv-Nut 5/16NC x 3/12	1
342	Z75203	FHCS, #10-32NF x 3/4	8
343	Z79462	Double Hose Clamp 1/2"	1



Plunger Assembly Detail

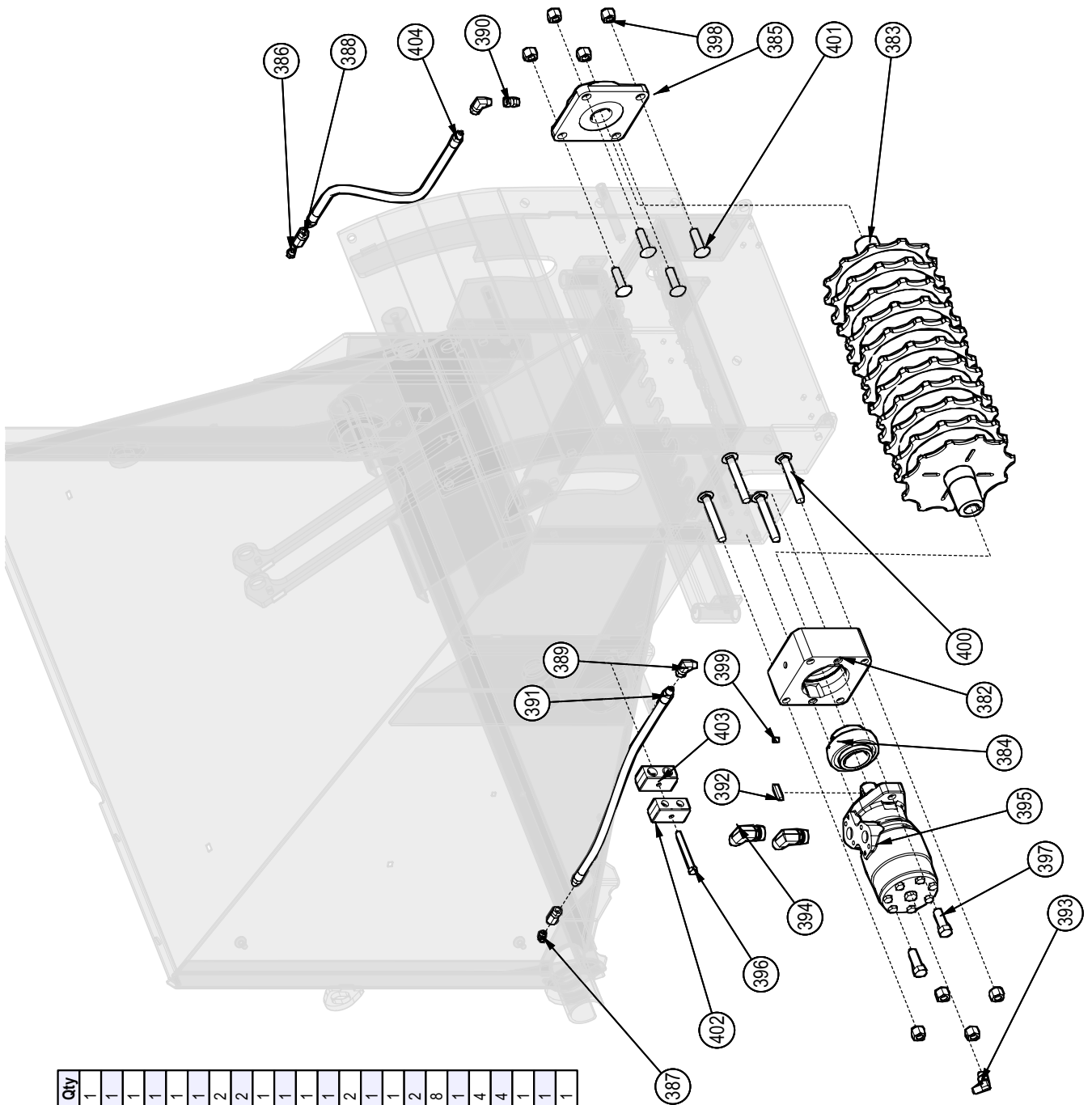


Upper Roller Parts List

Continued from page 22

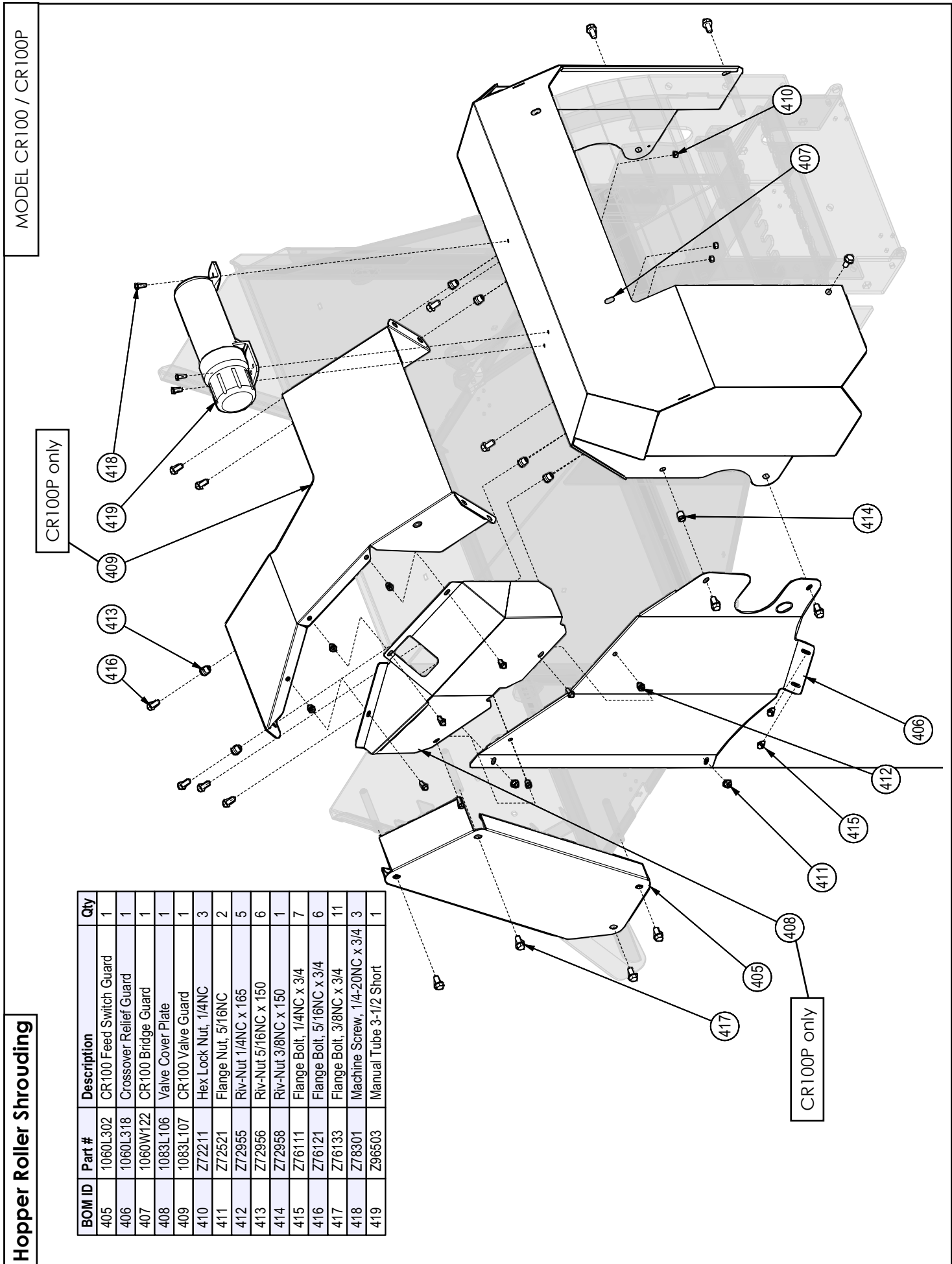
BOM ID	Description	Description	Qty
344	1015L618	Capture Washer	2
345	1022M218	UC Motor Bearing Housing	1
346	1022S208	Rotor Hood Slide	2
347	1022W206	Spring Yoke	2
348	1022W213	Upper Feed Roller	1
349	See Note	Bridge	1
350	1022W220	Nut Handle	4
351	1060W303	Weldment, Roller Pivot Arm LH	1
352	1060W303H	CR100 Roller Pivot Arm RH	1
353	1061M108	L Handled Plunger, Compact	2
354	Z12110	Latch Pin, 3/16	2
355	Z14151	Roll Pin, 3/16" x 1-1/2"	2
356	Z14152	Roll Pin, 3/16 x 3/4	4
357	Z21903	Ball Bearing Insert 1-3/4"	1
358	Z25204	4-Bolt Bearing 1-1/2" Bore	1
359	Z27101	Fiberglass Bearing 1-3/4 x 2	2
360	Z29204	Grease Fitting, 1/8NPT x 45	1
361	Z29207	Grease Zerk, MP02 x 90	1
362	Z29302	Straight, FP x FFX 0202	2
363	Z29307	Elbow 90 MP x FFX 0202	2
364	Z29311	Straight, MP x FFX 0202	1
365	Z29312	1/4" Grease Whip, MP02 x MP02 x 13"	2
366	Z31501	Spring 2 x 7 Heavy	4
367	Z46594	Blind Chipper Key 1/4 x 1-1/4	1
368	Z51657	Elbow 90, MORB x MJIC 0404	1
369	Z51658	Elbow 90 MJIC x MORB 0810	2
370	Z54202	Geroller Motor, 400C4UE	1
371	Z71220	Hex Bolt, 5/16NC x 2	1
372	Z71230	Hex Bolt, 5/16NC x 3	1
373	Z71515	Hex Bolt, 1/2NC x 1-1/2	4
374	Z72211	Hex Lock Nut, 1/4NC	4
375	Z72221	Hex Lock Nut, 5/16NC	2
376	Z72251	Hex Lock Nut, 1/2NC	8
377	Z74122	Set Screw, 5/16NF	1
378	Z75211	FHCS, 1/4NC x 7/8	4
379	Z762511	Carriage Bolt, 1/2NC x 4	4
380	Z76255	Carriage Bolt, 1/2NC x 2	4
381	Z79462	Double Hose Clamp 1/2"	2
382	Z79463	Double Hose Clamp 1 1/16"	1
383	Z92110	1/16 Aircraft cable x 2'	1

MODEL CR100 / CR100P



BOM ID	Part #	Description	Qty
382	1022M218	UC Motor Bearing Housing	1
383	1022W205	Lower Feed Roll	1
384	Z21903	Ball Bearing Insert 1-3/4"	1
385	Z25204	4-Bolt Bearing 1-1/2" Bore	1
386	Z29204	Grease Fitting, 1/8NPT x 45	1
387	Z29207	Grease Zerk, MP02 x 90	1
388	Z29302	Straight, FP x FFX 0202	2
389	Z29307	Elbow 90 MP x FFX 0202	2
390	Z29311	Straight, MP x FFX 0202	1
391	Z29313b	1/4" Grease Whip, MP02 x MP02 x 16"	1
392	Z46594	Blind Chipper Key 1/4 x 1-1/4	1
393	Z51657	Elbow 90, MORB x MJIC 0404	1
394	Z51658	Elbow 90 MJIC x MORB 0810	2
395	Z54201	Geroller Motor, 315C4UE	1
396	Z71230	Hex Bolt, 5/16NC x 3	1
397	Z71515	Hex Bolt, 1/2NC x 1-1/2	2
398	Z72251	Hex Lock Nut, 1/2NC	8
399	Z74122	Set Screw, 5/16NF	1
400	Z762510	Carriage Bolt, 1/2NC x 3-1/2	4
401	Z76258	Carriage Bolt, 1/2NC x 1-3/4	4
402	Z79462	Double Hose Clamp 1/2"	1
403	Z79463	Double Hose Clamp 11/16"	1
404	Z92313b	1/4" Grease Whip, MP02 x MP02 x 16"	1

**Seal Kit for
#Z54201 Geroller Motor, 315C4UE
SK MLHR-U/D,E**



MODEL CR100 / CR100P

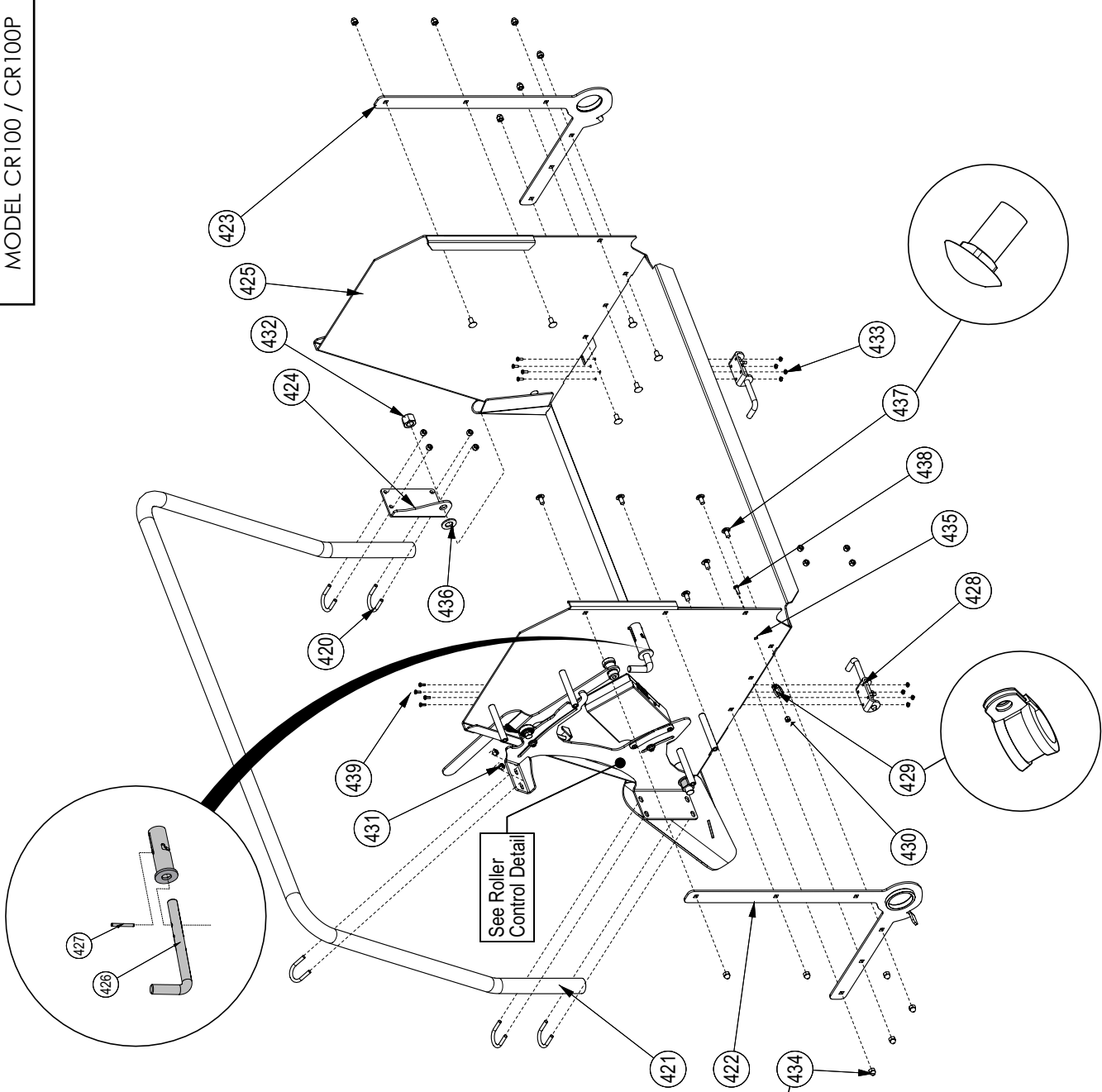
Hopper Roller Shrouding

BOM ID	Part #	Description	Qty
405	1060L302	CR100 Feed Switch Guard	1
406	1060L318	Crossover Relief Guard	1
407	1060W122	CR100 Bridge Guard	1
408	1083L106	Valve Cover Plate	1
409	1083L107	CR100 Valve Guard	1
410	Z72211	Hex Lock Nut, 1/4NC	3
411	Z72521	Flange Nut, 5/16NC	2
412	Z72955	Riv-Nut 1/4NC x 165	5
413	Z72956	Riv-Nut 5/16NC x 150	6
414	Z72958	Riv-Nut 3/8NC x 150	1
415	Z76111	Flange Bolt, 1/4NC x 3/4	7
416	Z76121	Flange Bolt, 5/16NC x 3/4	6
417	Z76133	Flange Bolt, 3/8NC x 3/4	11
418	Z78301	Machine Screw, 1/4-20NC x 3/4	3
419	Z96503	Manual Tube 3-1/2 Short	1

MODEL CR100 / CR100P

Feed Table

BOM ID	Description	Qty
420	U-bolt, Bearing Adapter	5
421	Feed Control Handle	1
422	Feed Table Trap Plate Weldment	1
423	Feed Table Trap Weldment, LH	1
424	Feed Control Pivot, CR100	1
425	CR100 Feed Table Weldment	1
426	L Handled Plunger, Compact	1
427	Roll Pin, 3/16" x 1-1/2"	1
428	Spring Latch Pin 1/2 x 1" Stroke	2
429	Rubberized Wire Clamp, 1/2"	1
430	Hex Lock Nut, 1/4NC	3
431	Hex Lock Nut, 5/16NC	10
432	Hex Lock Nut, 3/4NC	1
433	Machine Nut, #10-32NF	8
434	Acorn Nut, 3/8NC	12
435	Flat Washer, 1/4	1
436	Flat Washer, 3/4"	1
437	Carriage Bolt, 3/8NC x 3/4	12
438	Machine Screw, 1/4-20NC x 3/4	1
439	Machine Screw, #10-32NF x 1/2	8



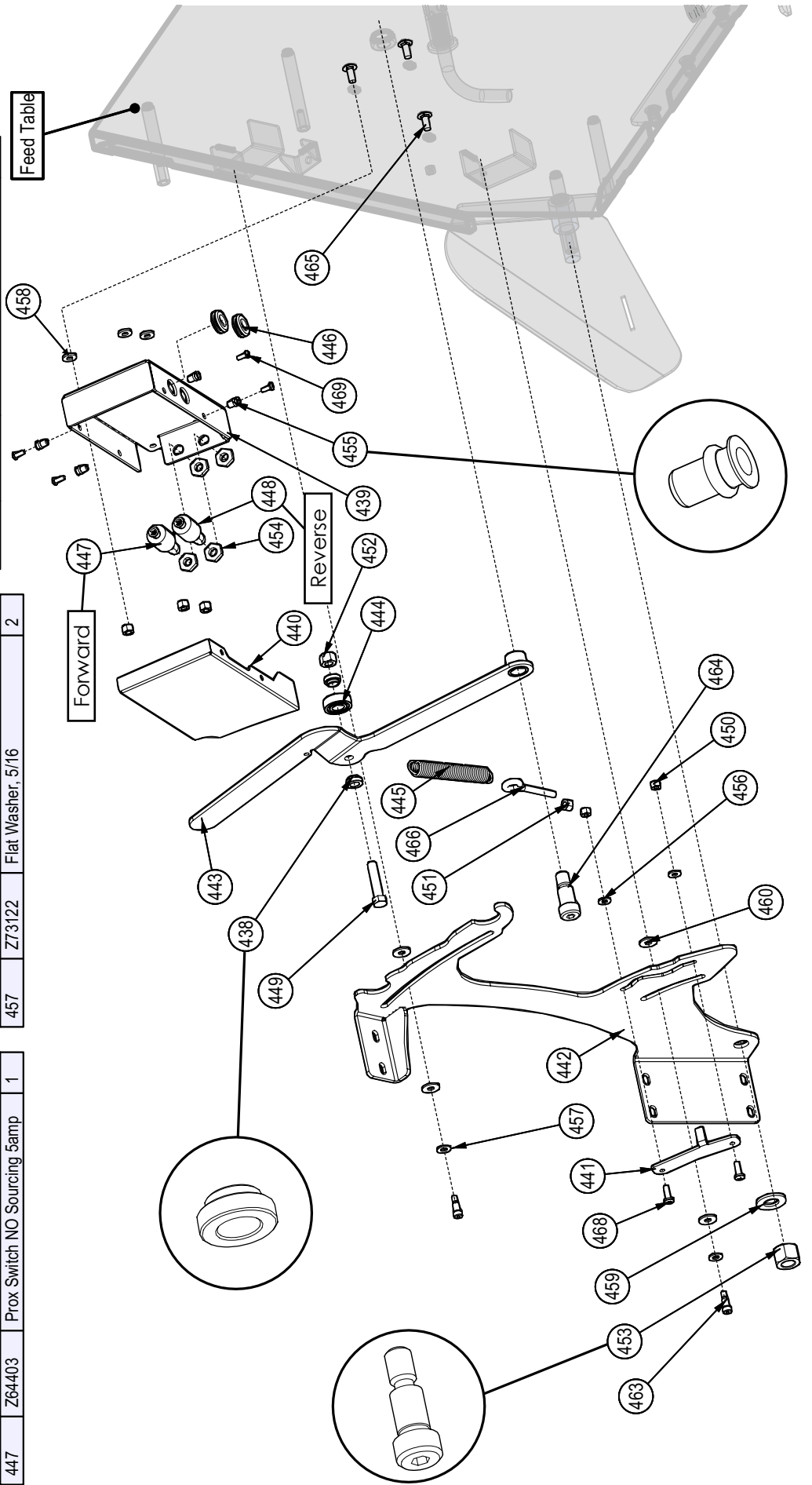
MODEL CR100 / CR100P

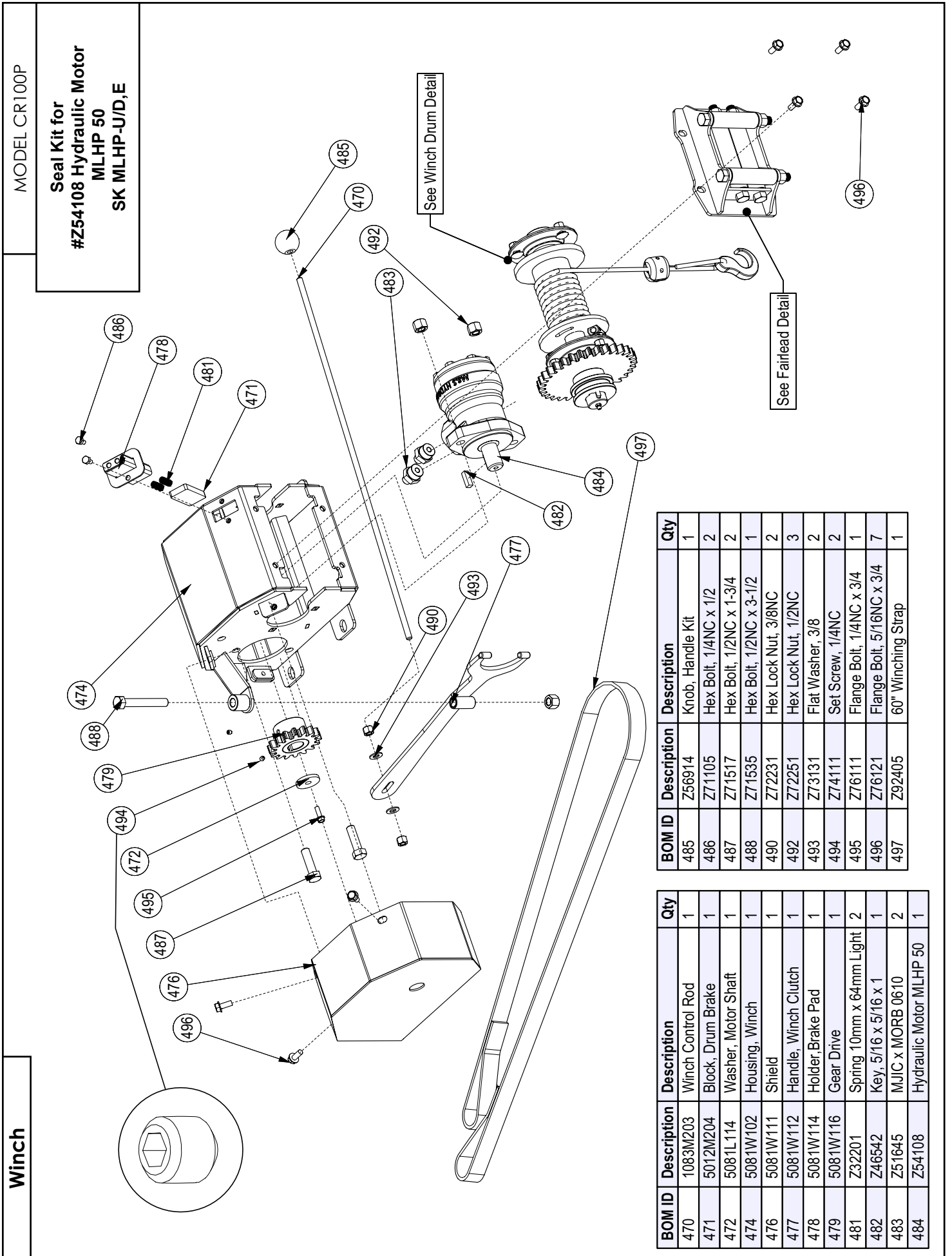
Feed Roller Control Detail

BOM ID	Part #	Description	Qty
438	1015M537	Bushing, Bearing	2
439	1060L301	Switch Mount Plate, CR100	1
440	1060L303	Sensor Box Lid, CR100	1
441	1060L304	Feed Pickup Trigger, CR100	1
442	1060L305	CR100 Control Base Pivot Link	1
443	1060W302	Detent Reset Weldment, CR100	1
444	Z12103	Ball Bearing 6202 2RS	1
445	Z31401	Spring 3/4 x 4" Heavy	1
446	Z62823	Rubber Grommet 3/4 x 1/8	2
447	Z64403	Prox Switch NO Sourcing 5amp	1

BOM ID	Part #	Description	Qty
448	Z64405	Prox Switch NO Sinking 5amp	1
449	Z71420	Hex Bolt, 7/16NC x 2	1
450	Z72211	Hex Lock Nut, 1/4NC	2
451	Z72221	Hex Lock Nut, 5/16NC	4
452	Z72241	Hex Lock Nut, 7/16NC	1
453	Z72271	Hex Lock Nut, 3/4NC	1
454	Z72357	Brass Jam Nut, 9/16-18NF	4
455	Z72954	Riv-Nut #10-32NF - 130	4
456	Z73111	Flat Washer, 1/4	2
457	Z73122	Flat Washer, 5/16	2

BOM ID	Part #	Description	Qty
458	Z73123	Rubber Flat Washer, 5/16 x 0.093"	3
459	Z73171	Flat Washer, 3/4"	1
460	Z73222	PTFE Flat Washer, 5/16 x 0.080"	4
463	Z75522	Shoulder Bolt, 5/16 x 1/2"	2
464	Z75574	Shoulder Bolt, 3/4 x 1	1
465	Z76221	Carriage Bolt, 5/16NC x 3/4	3
466	Z76522	Eye Bolt 5/16NC x 2	1
468	Z78301	Machine Screw, 1/4-20NC x 3/4	2
469	Z78303	Machine Screw, #10-32NF x 1/2	4





Winch

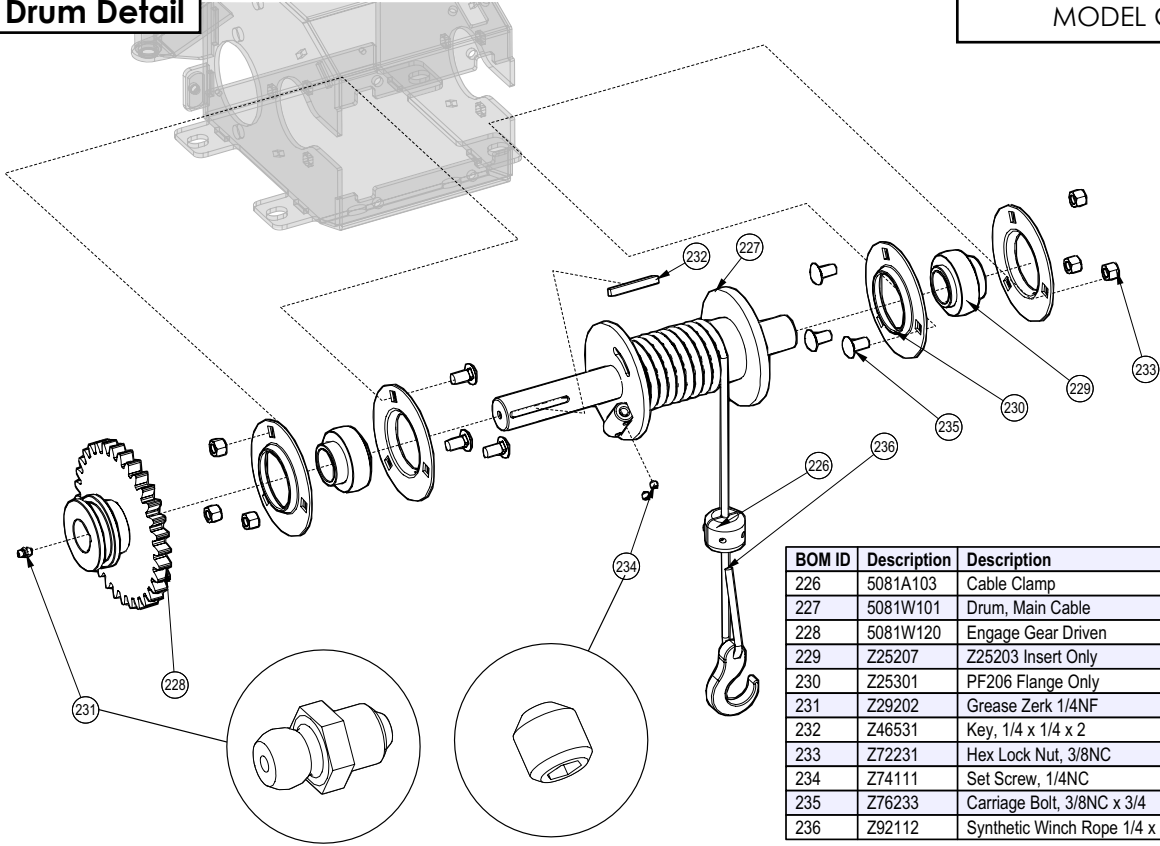
MODEL CR100P
Seal Kit for
#Z54108 Hydraulic Motor
MLHP 50
SK MLHP-U/D,E

BOM ID	Description	Qty
485	Z56914 Knob, Handle Kit	1
486	Z71105 Hex Bolt, 1/4NC x 1/2	2
487	Z71517 Hex Bolt, 1/2NC x 1-3/4	2
488	Z71535 Hex Bolt, 1/2NC x 3-1/2	1
490	Z72231 Hex Lock Nut, 3/8NC	2
492	Z72251 Hex Lock Nut, 1/2NC	3
493	Z73131 Flat Washer, 3/8	2
494	Z74111 Set Screw, 1/4NC	2
495	Z76111 Flange Bolt, 1/4NC x 3/4	1
496	Z76121 Flange Bolt, 5/16NC x 3/4	7
497	Z92405 60" Winching Strap	1

BOM ID	Description	Qty
470	1083M203 Winch Control Rod	1
471	5012M204 Block, Drum Brake	1
472	5081L114 Washer, Motor Shaft	1
474	5081W102 Housing, Winch	1
476	5081W111 Shield	1
477	5081W112 Handle, Winch Clutch	1
478	5081W114 Holder, Brake Pad	1
479	5081W116 Gear Drive	1
481	Z32201 Spring 10mm x 64mm Light	2
482	Z46542 Key, 5/16 x 5/16 x 1	1
483	Z51645 MJIC x MORB 0610	2
484	Z54108 Hydraulic Motor MLHP 50	1

Winch Drum Detail

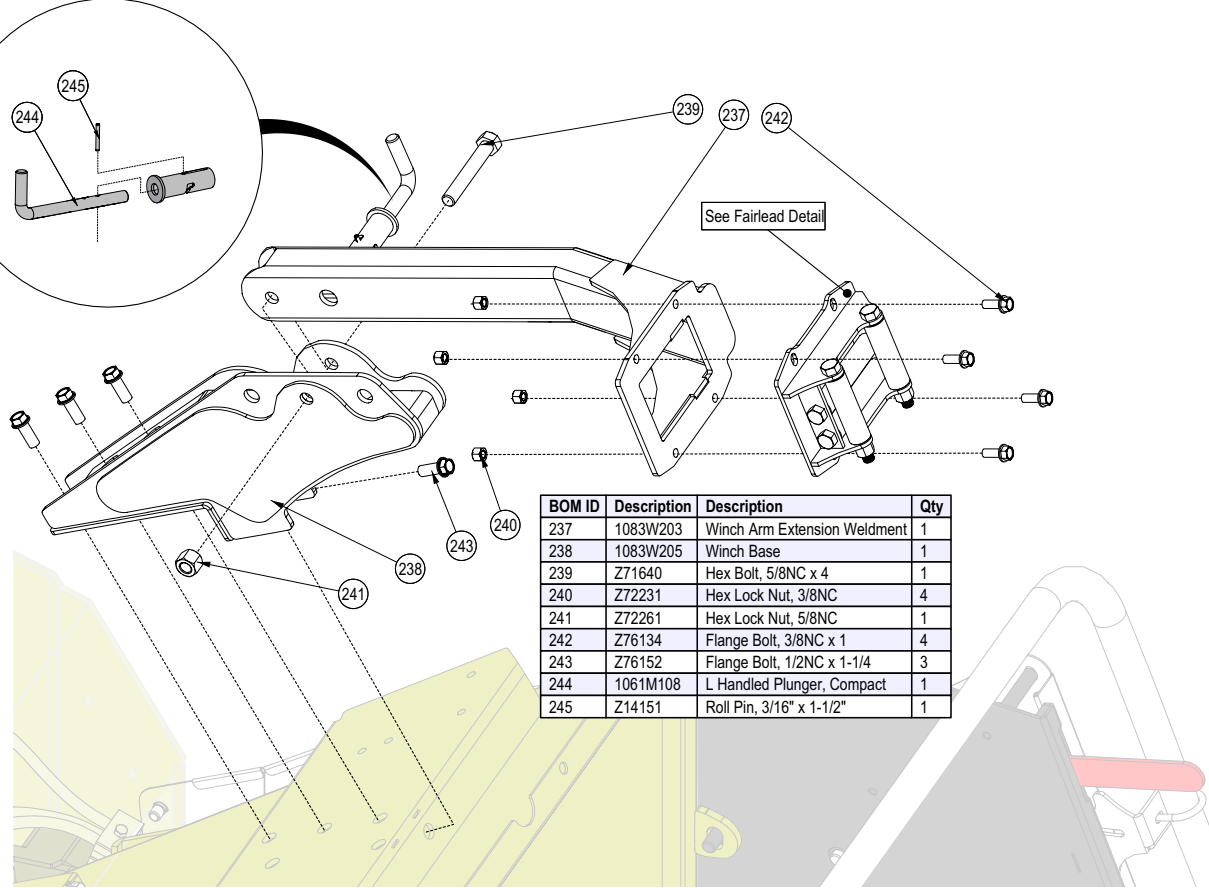
MODEL CR100P



BOM ID	Description	Description	Qty
226	5081A103	Cable Clamp	1
227	5081W101	Drum, Main Cable	1
228	5081W120	Engage Gear Driven	1
229	Z25207	Z25203 Insert Only	2
230	Z25301	PF206 Flange Only	4
231	Z29202	Grease Zerk 1/4NF	1
232	Z46531	Key, 1/4 x 1/4 x 2	1
233	Z72231	Hex Lock Nut, 3/8NC	6
234	Z74111	Set Screw, 1/4NC	2
235	Z76233	Carriage Bolt, 3/8NC x 3/4	6
236	Z92112	Synthetic Winch Rope 1/4 x 50' with Hook	1

Winch Arm Ass'y

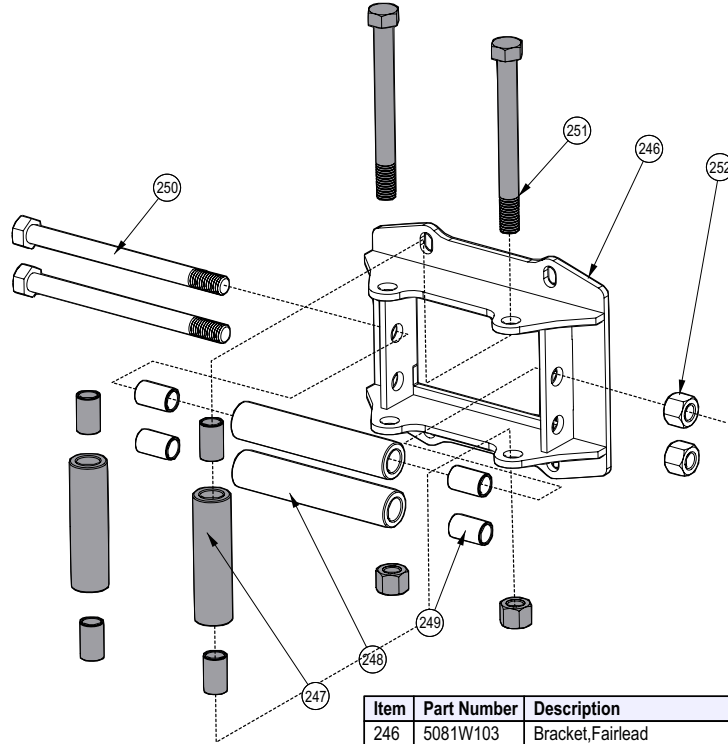
MODEL CR100P



BOM ID	Description	Description	Qty
237	1083W203	Winch Arm Extension Weldment	1
238	1083W205	Winch Base	1
239	Z71640	Hex Bolt, 5/8NC x 4	1
240	Z72231	Hex Lock Nut, 3/8NC	4
241	Z72261	Hex Lock Nut, 5/8NC	1
242	Z76134	Flange Bolt, 3/8NC x 1	4
243	Z76152	Flange Bolt, 1/2NC x 1-1/4	3
244	1061M108	L Handled Plunger, Compact	1
245	Z14151	Roll Pin, 3/16" x 1-1/2"	1

Fairlead Ass'y Detail

MODEL CR100P

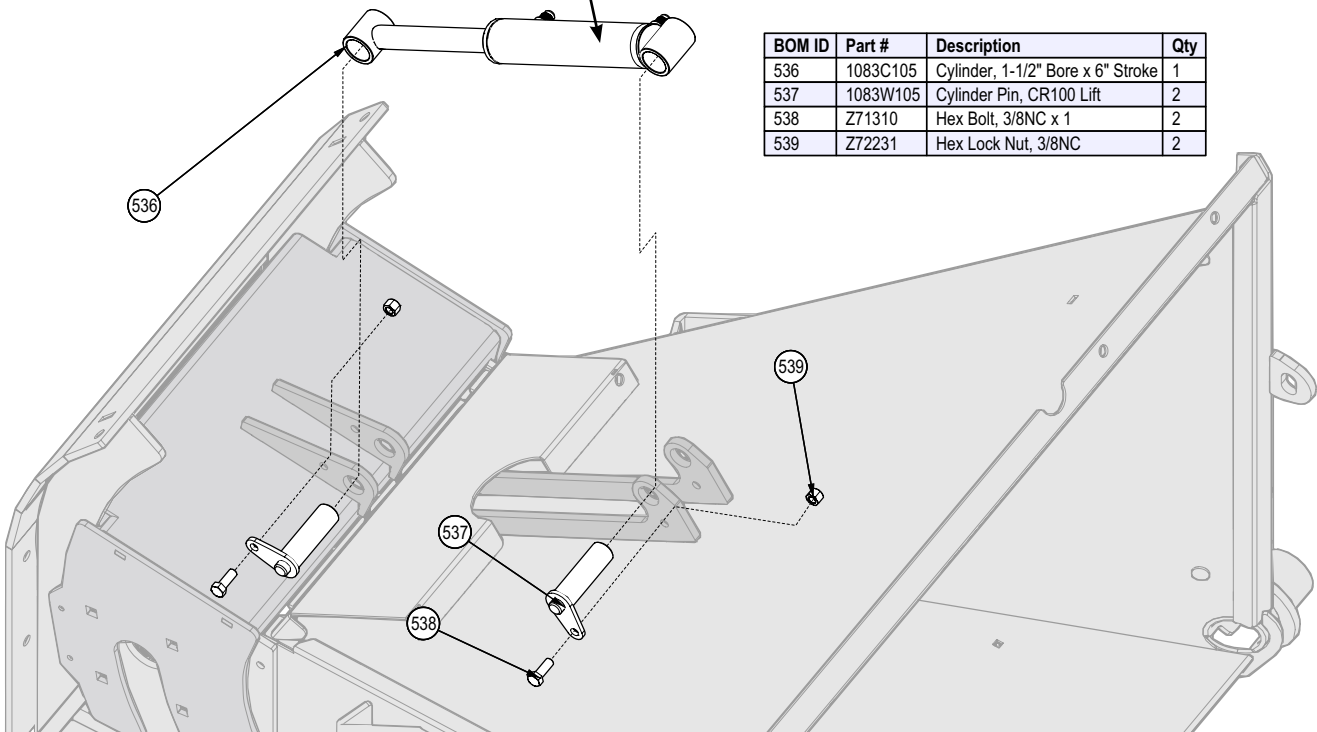


Item	Part Number	Description	Qty
246	5081W103	Bracket, Fairlead	1
247	5081M109	Bushing, Fairlead Side	2
248	5081M111	Bushing, Fairlead Top	2
249	Z27103	Fiberglide Bearing 1/2" x 1"	8
250	Z71566	Hex Bolt, 1/2NC x 6-1/4, 5-1/4 Shank	2
251	Z71567	Hex Bolt, 1/2NC x 5, 4" Shank	2
252	Z72251	Hex Lock Nut, 1/2NC	4

Roller Lift Hydraulic Cylinder

MODEL CR100P

See Cylinder Detail



BOM ID	Part #	Description	Qty
536	1083C105	Cylinder, 1-1/2" Bore x 6" Stroke	1
537	1083W105	Cylinder Pin, CR100 Lift	2
538	Z71310	Hex Bolt, 3/8NC x 1	2
539	Z72231	Hex Lock Nut, 3/8NC	2

Cylinder Seal Installation	MODEL CR100P
-----------------------------------	--------------

DETAIL
SHOWS PROPER
ORIENTATION OF SEALS
(COMMON TO ALL CYLINDERS)

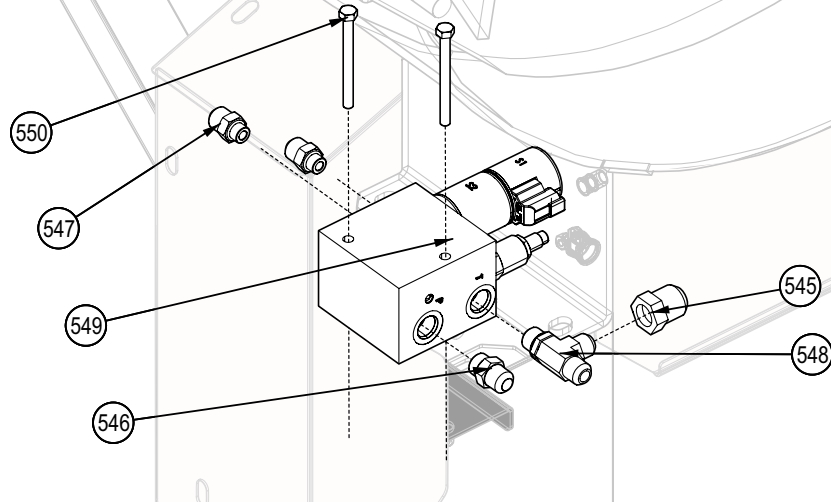
Roller Lift Hydraulic Cylinder Detail	MODEL CR100P
--	--------------

BOM ID	Part #	Description	Qty
540	1083C1053	Rod, 1x3/4	1
541	1083C1054	Barrel, 1-1/2" Bore	1
542	G150-100S	1-1/2" X 1" GLAND	1
543	Z72252	Hex Lock Nut 1/2NF	1
544	P500-150SP	1-1/2" BORE PISTON	1

IntelliFeed Manifold Ass'y

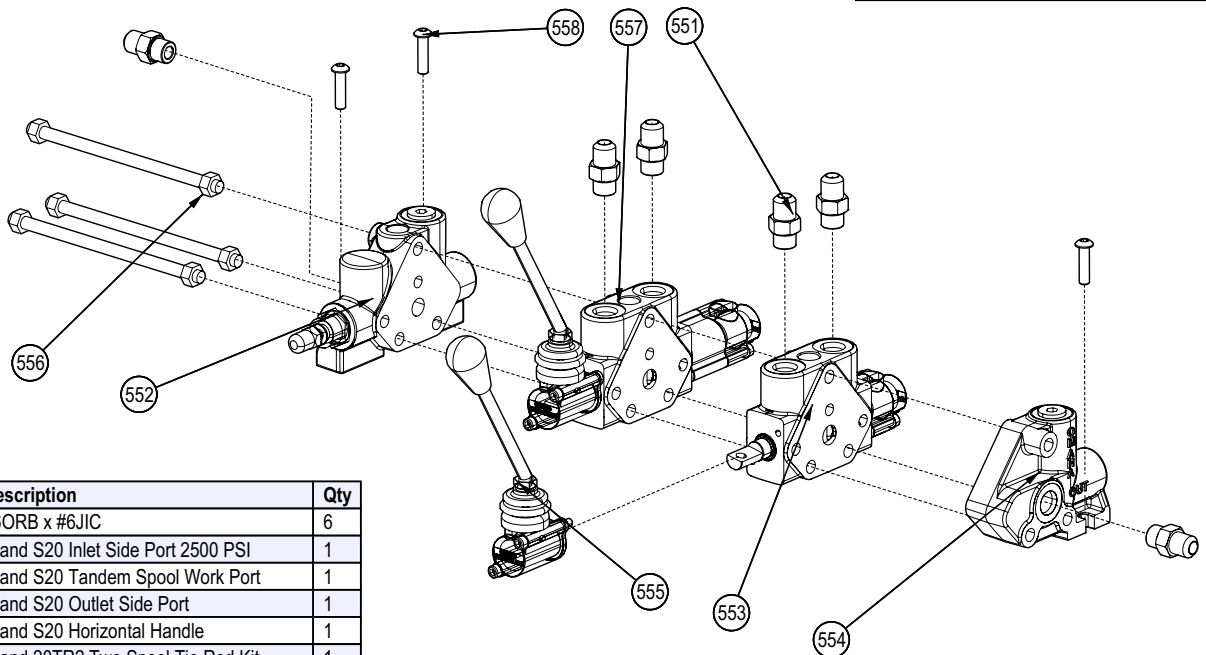
MODEL CR100P

BOM ID	Part #	Description	Qty
545	Z51498	Straight, FJIC x MJIC 0812	1
546	Z51643	#8ORB x #8JIC	1
547	Z51649	Straight, MJIC x MORB 0806	2
548	Z51673	Tee, MJIC x MORB x MJIC 080808	1
549	Z56508	CR IntelliFEED Manifold 6gpm	1
550	Z71235	Hex Bolt, 5/16NC x 3-1/2	2



Winch and Roller Lift Hydraulic Controls

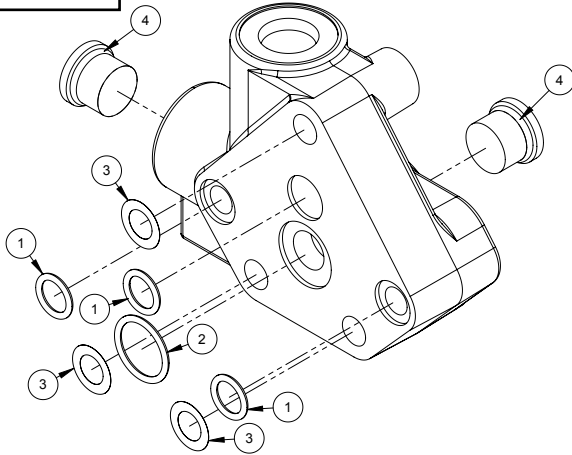
MODEL CR100P



BOM ID	Part #	Description	Qty
551	Z51641	#6ORB x #6JIC	6
552	Z56601	Brand S20 Inlet Side Port 2500 PSI	1
553	Z56602	Brand S20 Tandem Spool Work Port	1
554	Z56604	Brand S20 Outlet Side Port	1
555	Z56605	Brand S20 Horizontal Handle	1
556	Z56608	Brand 20TR2 Two Spool Tie Rod Kit	1
557	Z56611	Brand S20 Motor Spool Detent with Handle	1
558	Z75341	BHCS, 1/4NC x 1	3

Note: These parts may be ordered as a complete assembly:
#1083A130 Complete Winch / Roller Cylinder Valve Stack
 (less #Z51641 & Z75341)

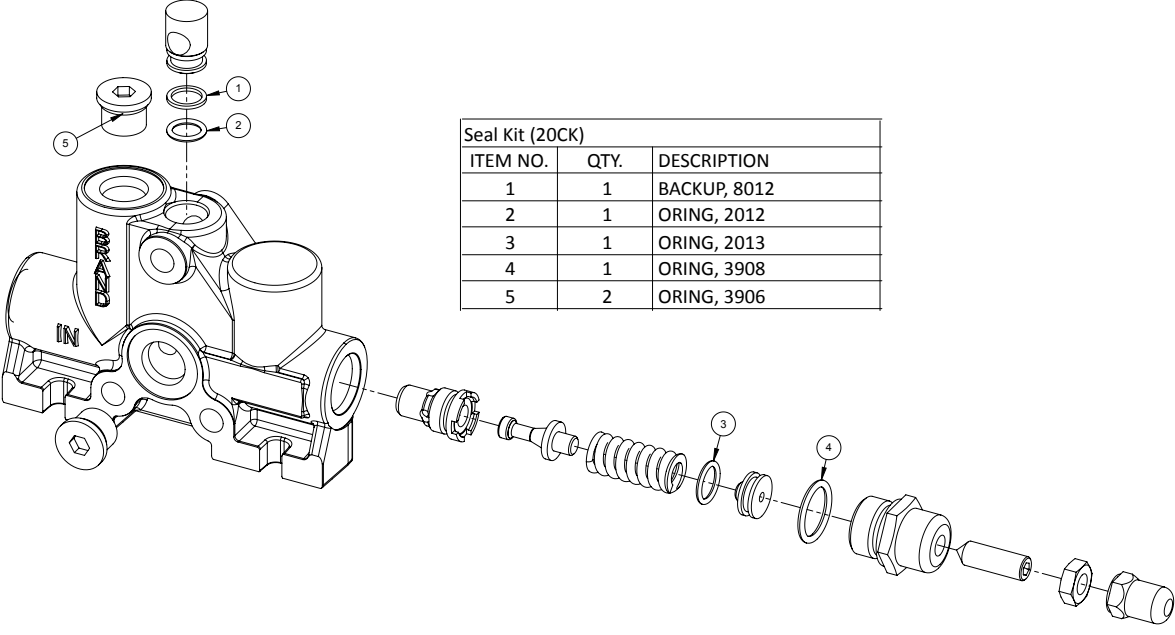
#20DK Seal Kit S20 Side Port #20BK Seal Kit	MODEL CR100P
--	--------------



Seal Kit (20DK)		
ITEM NO.	QTY.	DESCRIPTION
1	3	ORING, 2012
2	1	O RING 2016 90D
3	3	STEEL SHIM
4	2	ORING, 3906

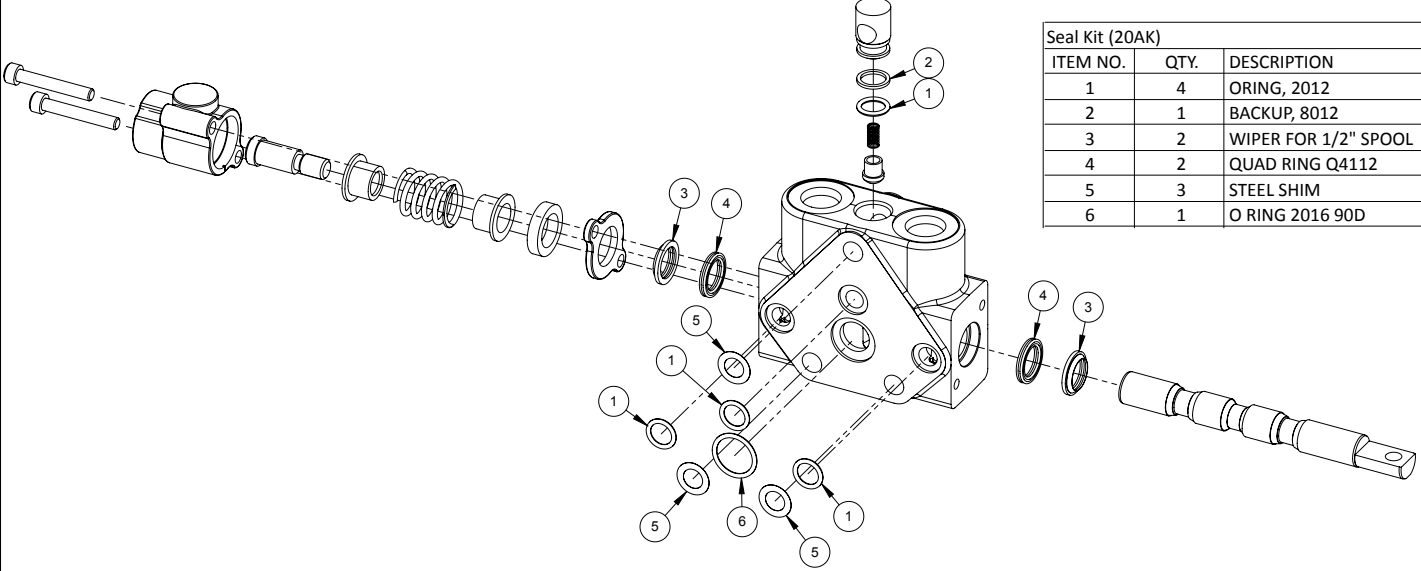
Seal Kit (20BK) (Between Sections)		
ITEM NO.	QTY.	DESCRIPTION
1	3	ORING, 2012
2	1	O RING 2016 90D
3	3	STEEL SHIM

#20CK Seal Kit for S20 Inlet Side Port	MODEL CR100P
---	--------------

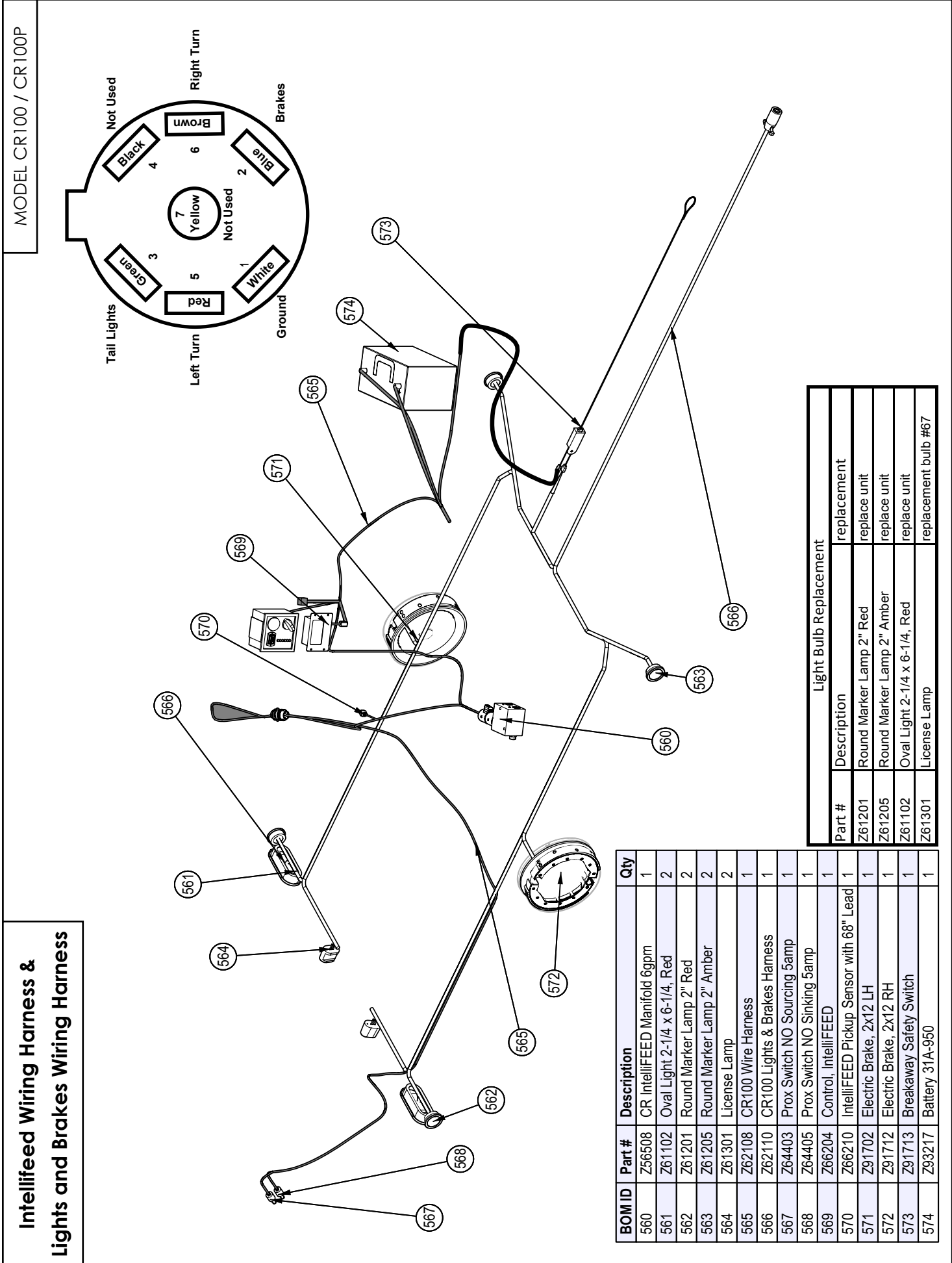


Seal Kit (20CK)		
ITEM NO.	QTY.	DESCRIPTION
1	1	BACKUP, 8012
2	1	ORING, 2012
3	1	ORING, 2013
4	1	ORING, 3908
5	2	ORING, 3906

#20AK Seal Kit for S20 Work Sections	MODEL CR100P
---	--------------



Seal Kit (20AK)		
ITEM NO.	QTY.	DESCRIPTION
1	4	ORING, 2012
2	1	BACKUP, 8012
3	2	WIPER FOR 1/2" SPOOL
4	2	QUAD RING Q4112
5	3	STEEL SHIM
6	1	O RING 2016 90D



MODEL CR100 / CR100P

Intellifeed Wiring Harness & Lights and Brakes Wiring Harness

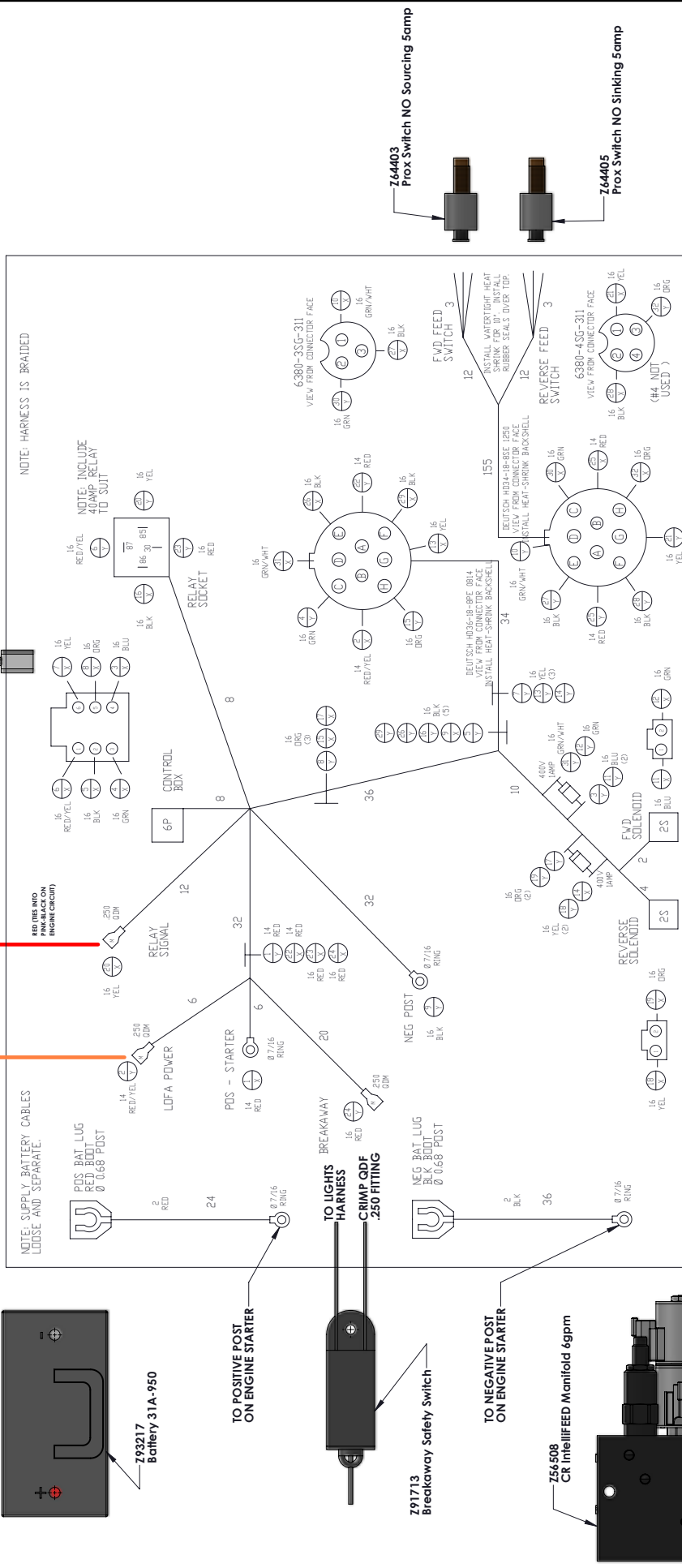
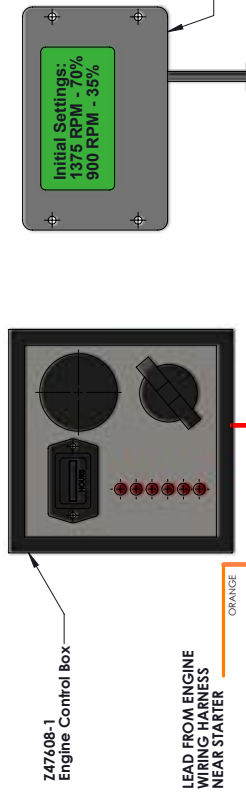
BOM ID	Part #	Description	Qty
560	Z56508	CR IntelliFEED Manifold 6gpm	1
561	Z61102	Oval Light 2-1/4 x 6-1/4, Red	2
562	Z61201	Round Marker Lamp 2" Red	2
563	Z61205	Round Marker Lamp 2" Amber	2
564	Z61301	License Lamp	2
565	Z62108	CR100 Wire Harness	1
566	Z62110	CR100 Lights & Brakes Harness	1
567	Z64403	Prox Switch NO Sourcing 5amp	1
568	Z64405	Prox Switch NO Sinking 5amp	1
569	Z66204	Control, IntelliFEED	1
570	Z66210	IntelliFEED Pickup Sensor with 68" Lead	1
571	Z91702	Electric Brake, 2x12 LH	1
572	Z91712	Electric Brake, 2x12 RH	1
573	Z91713	Breakaway Safety Switch	1
574	Z93217	Battery 31A-950	1

Light Bulb Replacement	
Part #	Description
	replacement
Z61201	Round Marker Lamp 2" Red
Z61205	Round Marker Lamp 2" Amber
Z61102	Oval Light 2-1/4 x 6-1/4, Red
Z61301	License Lamp
	replacement bulb #67

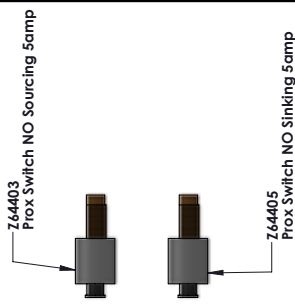
MODEL CR100 / CR100P

Intellifeed Wiring Diagram #Z62108

CR100 LOGIC WIRING HARNESS INSTALLATION



REVISION		REV	APPROVED	PROPERTY
REV		A	Approved	EMB MFG, INC.
PART NO.		Z62108	ST. CLEMENTS, ON	
TITLE		CR100 Wire Harness	WWW.EMB.MFG.COM	
MATERIAL		Rubber	PH. (519) 699-9283	
FINISH		Per Sub-Parts	SCALE: 1:32 SHF. 1 OF 1	
STP TOLERANCE	UNLESS SPECIFIED	DIMENSIONS ARE IN INCHES		
FRAC TION	F 1/22	ANGULARS	F 1/16	
DECIMALS	0.001	PLACES	ONE	
TOLERANCE	±0.005	FINISH	±0.005	
	±0.010		±0.010	
	±0.020		±0.020	
	±0.050		±0.050	
	±0.100		±0.100	



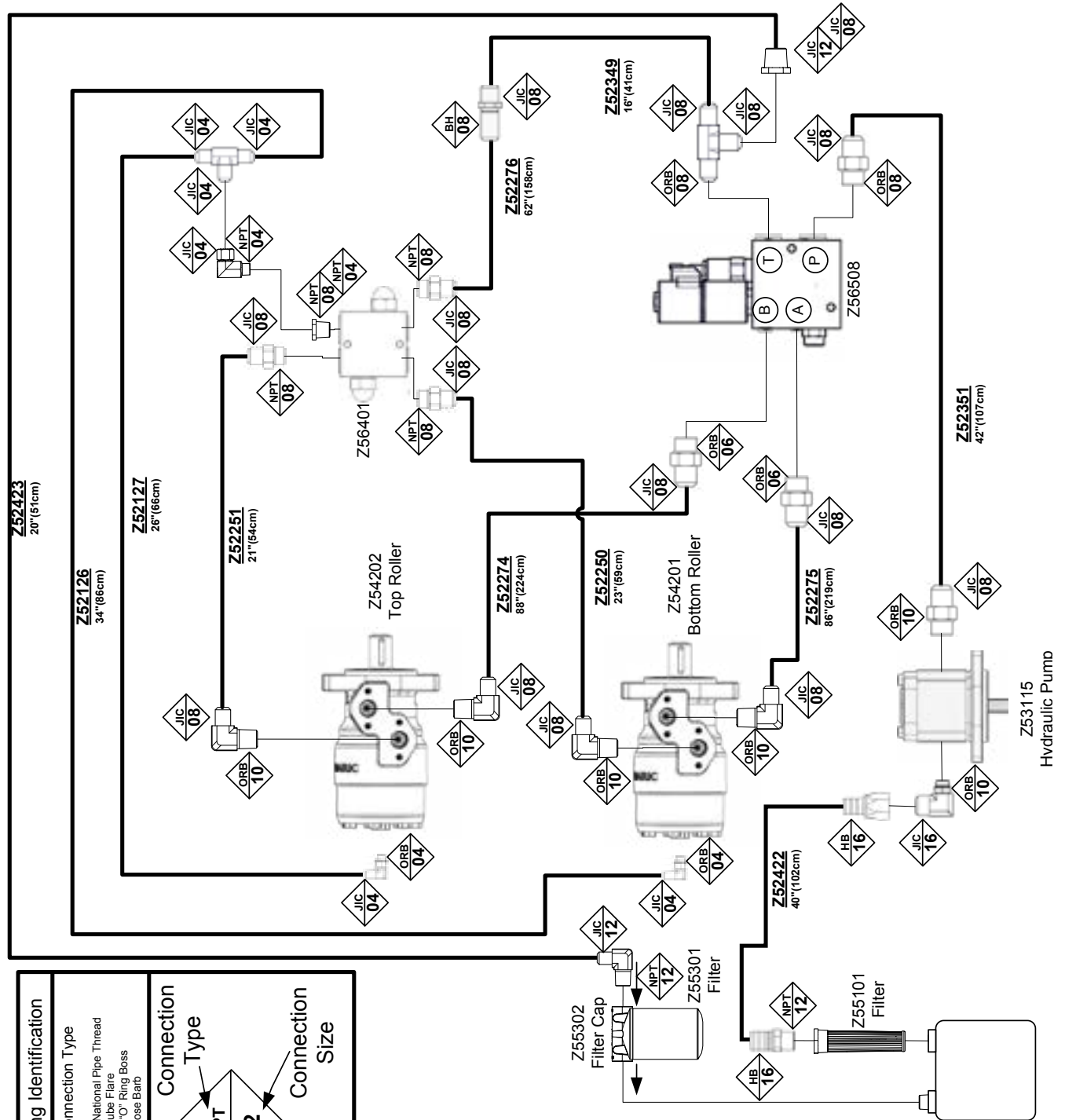
Hydraulic Hose Parts List

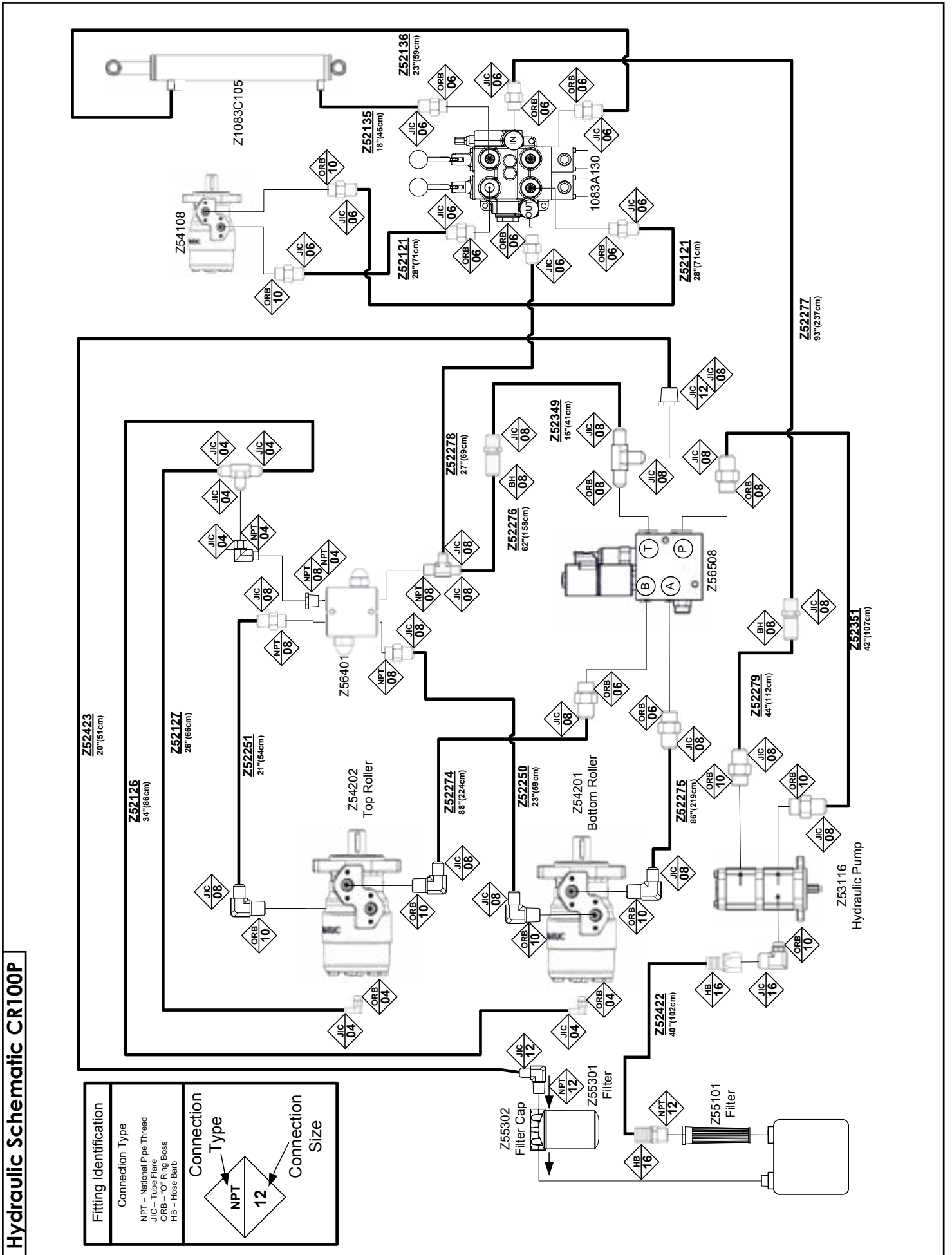
The Chart below is a complete list of hydraulic hoses for all models of the CR100. For information on your model and its hose connections please review the hydraulic schematics on the following pages.

PART NUMBER	DESCRIPTION	QTY	MODEL
Z52121	1/4"Hose, FJIC06 x 90FJIC06 x 28"	2	CR100P
Z52126	1/4"Hose, FJIC04 x 90FJIC04 x 34"	1	CR100 / CR100P
Z52127	1/4"Hose, FJIC04 x 90FJIC04 x 26"	1	CR100 / CR100P
Z52135	1/4"Hose, FJIC06 x 90FJIC06 x 18"	1	CR100P
Z52136	1/4"Hose, FJIC06 x 90FJIC06 x 23"	1	CR100P
Z52250	3/8"Hose, FJIC08 x 90FJIC08 x 23"	1	CR100 / CR100P
Z52251	3/8"Hose, FJIC08 x 90FJIC08 x 21"	1	CR100 / CR100P
Z52274	3/8"Hose, FJIC08 x FJIC08 x 88"	1	CR100 / CR100P
Z52275	3/8"Hose, FJIC08 x FJIC08 x 86"	1	CR100 / CR100P
Z52276	3/8"Hose, FJIC08 x FJIC08 x 62"	1	CR100 / CR100P
Z52277	3/8"Hose, FJIC08 x 45FJIC06 x 93"	1	CR100P
Z52278	3/8"Hose, FJIC08 x 45FJIC06 x 27"	1	CR100P
Z52279	3/8"Hose, FJIC08 x 90FJIC08 x 44"	1	CR100P
Z52349	1/2"Hose, FJIC08 x FJIC08 x 16"	1	CR100 / CR100P
Z52351	1/2"Hose, FJIC08 x 90FJIC08 x 42"	1	CR100 / CR100P
Z52423	3/4"Hose, FJIC12 x 90FJIC12 x 20"	1	CR100 / CR100P

Hydraulic Schematic CR100

Fitting Identification	
Connection Type	
NPT – National Pipe Thread	
JIC – Tube Flare	
ORB – "O" Ring Boss	
HB – Hose Barb	
Connection Type	
Connection Size	





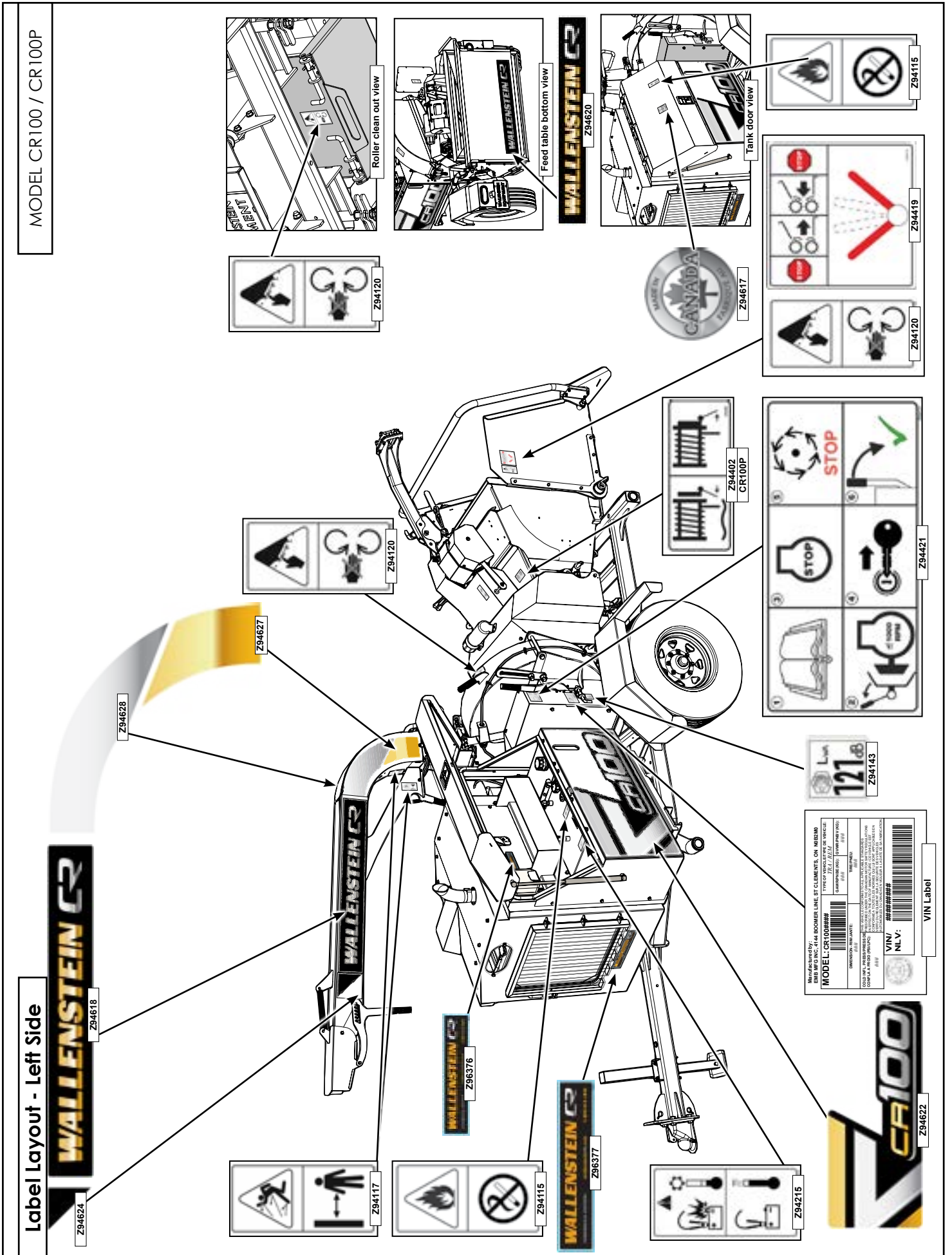
Fitting Identification	
Connection Type	
NPT - National Pipe Thread	
JIC - Tube Flare	
ORB - O' Ring Boss	
HB - Hose Barb	
Connection	
Type	Size
NPT	12

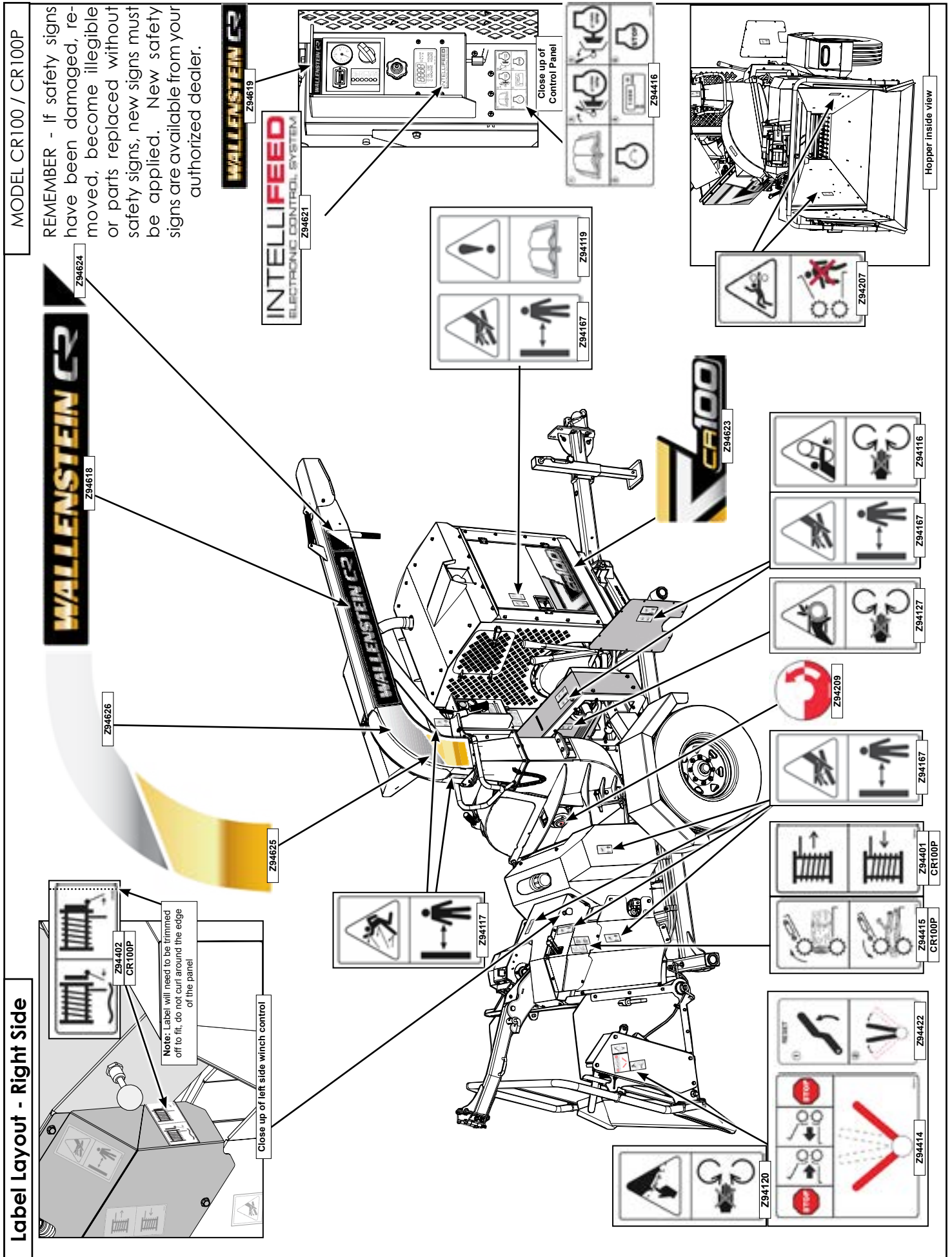
Label Layout - List

MODEL CR100 / CR100P

CR100: Label Part Number & Designation List

Prt No.	Description	CR100	CR100P
Z94115	FIRE HAZARD - NO SMOKING	2	2
Z94116	DRIVELINE - ARM ENTANGLEMENT HAZARD - KEEP HANDS AWAY	2	2
Z94117	FLYING OBJECT HAZARD - KEEP BACK	4	4
Z94119	HAZARD - READ MANUAL	1	1
Z94120	ROTATING CUTTER HAZARD - KEEP HANDS AWAY	3	3
Z94127	DRIVELINE - HAND ENTANGLEMENT HAZARD - KEEP HANDS AWAY	1	1
Z94143	NOISE - 121db NOISE	1	1
Z94167	HYDRAULIC RUPTURE HAZARD - KEEP BACK	5	7
Z94207	ENTANGLEMENT HAZARD - DO NOT CLIMB IN HOPPER	2	2
Z94209	COUNTER CLOCKWISE ROTATION - ROUND	1	1
Z94215	FROZEN BATTERY HAZARD	1	1
Z94401	WINCH CONTROL - WIND/UNWIND		1
Z94402	WINCH - FREE WHEEL / ENGAGED		2
Z94414	ROLLER FEED CHIPPER - FEED CONTROL RH	1	1
Z94415	UPPER ROLLER LIFT CYLINDER - LIFT / CRUSH		1
Z94416	CR100 STARTING / OPERATING / STOPPING INSTRUCTIONS	1	1
Z94419	ROLLER FEED CHIPPER - FEED CONTROL LH	1	1
Z94421	ROTOR LOCK	1	1
Z94422	FEED CONTROL LOCK	1	1
Z94617	WALLENSTEIN 3" DIA. MADE IN CANADA	1	1
Z94618	CR100 L&R CHUTE MID.WALLENSTEIN	2	2
Z94619	CR100 CONTROL PANEL.WALLENSTEIN	1	1
Z94620	CR100 TABLE BOTTOM.WALLENSTEIN	1	1
Z94621	CR100 INTELLIFEED	1	1
Z94622	CR100 TOOL BOX.CR100	1	1
Z94623	CR100 ENGINE DOOR.CR100	1	1
Z94624	CR100 L&R CHUTE END.WALLENSTEIN	2	2
Z94625	CR100 CHUTE RIGHT BOTTOM GOLD	1	1
Z94626	CR100 CHUTE RIGHT ELBOW SILVER	1	1
Z94627	CR100 CHUTE LEFT BOTTOM GOLD	1	1
Z94628	CR100 CHUTE LEFT ELBOW SILVER	1	1
Z96376	CR Marketing Sticker 7.0 x 1.5	1	1
Z96377	CR Marketing Sticker 13.0 x 2.5	1	1
	VIN Label - CR100	1	1





MODEL CR100 / CR100P

REMEMBER - If safety signs have been damaged, removed, become illegible or parts replaced without safety signs, new signs must be applied. New safety signs are available from your authorized dealer.

Label Layout - Right Side

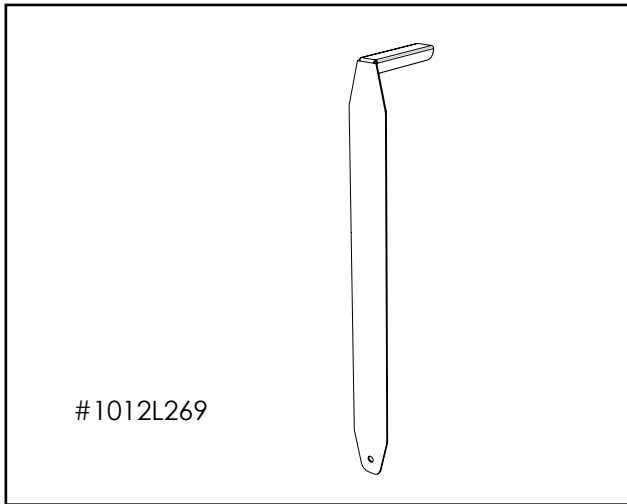
Note: Label will need to be trimmed off to fit, do not curl around the edge of the panel

Close up of left side winch control

Close up of Control Panel

Hopper inside view

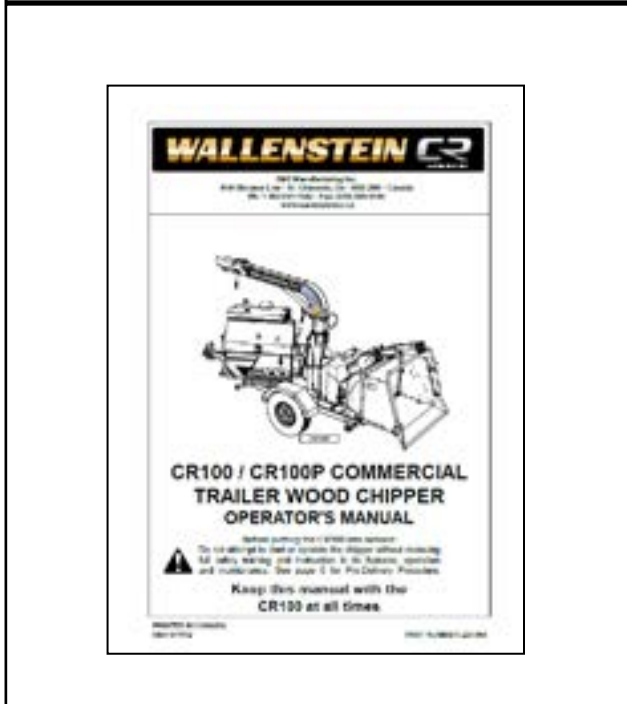
Accessories



#1012L269

#1012L269 LEDGER CLEARANCE SETTING GAUGE

For **CR100 Series**
 An easy and accurate way of setting the critical clearances between the ledger blade and the rotor chipper blade.



#Z97068 CR100 / CR100P COMMERCIAL TRAILER WOOD CHIPPER OPERATOR'S MANUAL

Available as a download at
www.embmfg.com