



# WX980 Trailer Log Splitter Parts Manual

S/N 298089 to S/N 2980104 (Standard)

S/N 2E9US111075031007 to S/N 2E9US111085031010 (w/ Light Kit)



## Foreword

EMB Mfg. has prepared this parts manual to assist customers in ordering quality OEM replacement parts.

Proper and regular service and replacing old, worn or broken parts with the correct Wallenstein parts are essential to prolonging the life of your Wallenstein product. Please refer to this manual before ordering any replacement parts.

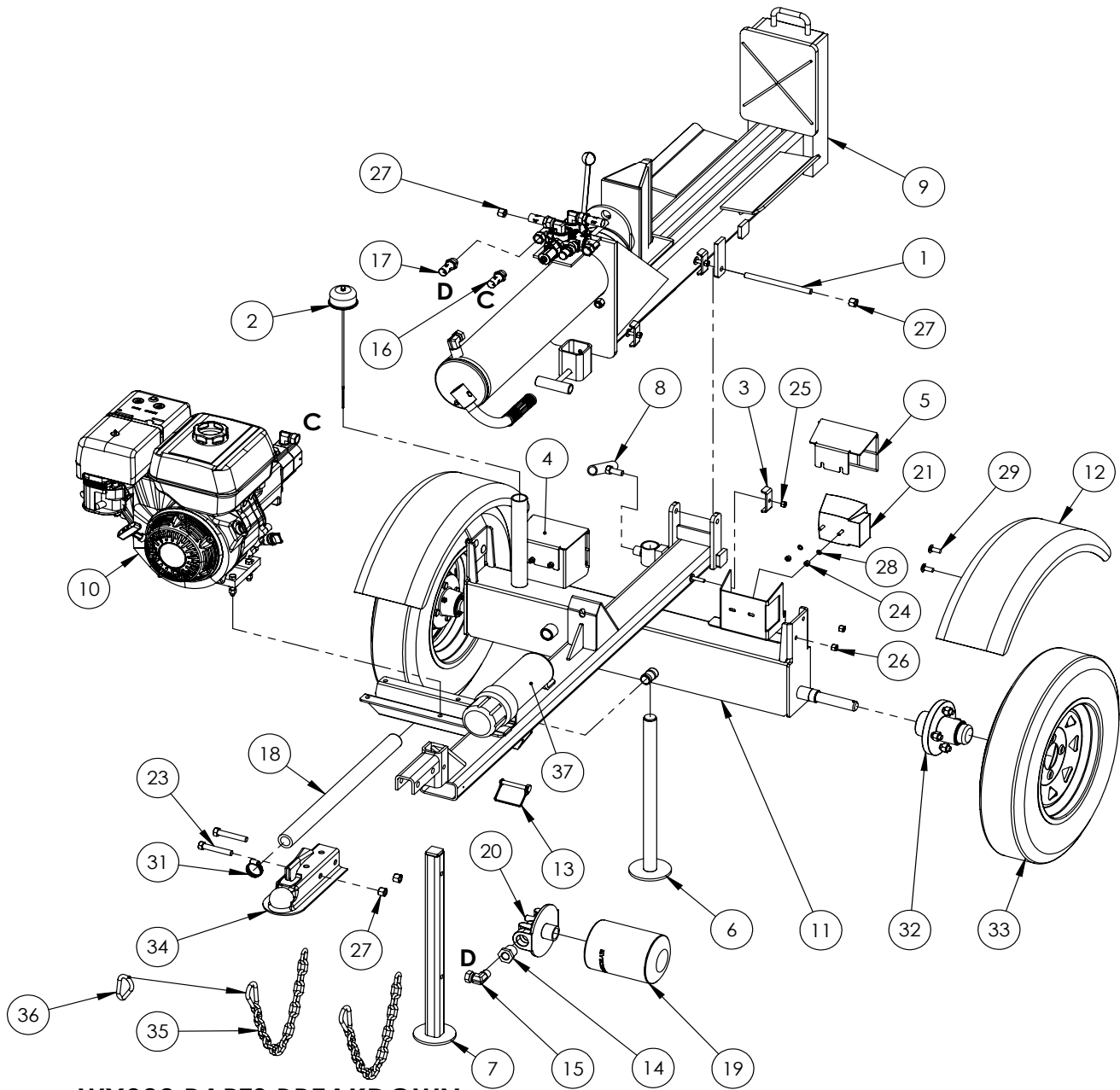
All information contained in this parts manual is based on the latest product specification available at the time of printing this manual. If your product differs from the specifications contained within this manual contact EMB Mfg. for information.

EMB reserves the right to alter specifications on their products at any time.

Reproduction of this parts manual of any kind is prohibited without prior written permission from EMB Mfg.

# Table of Contents

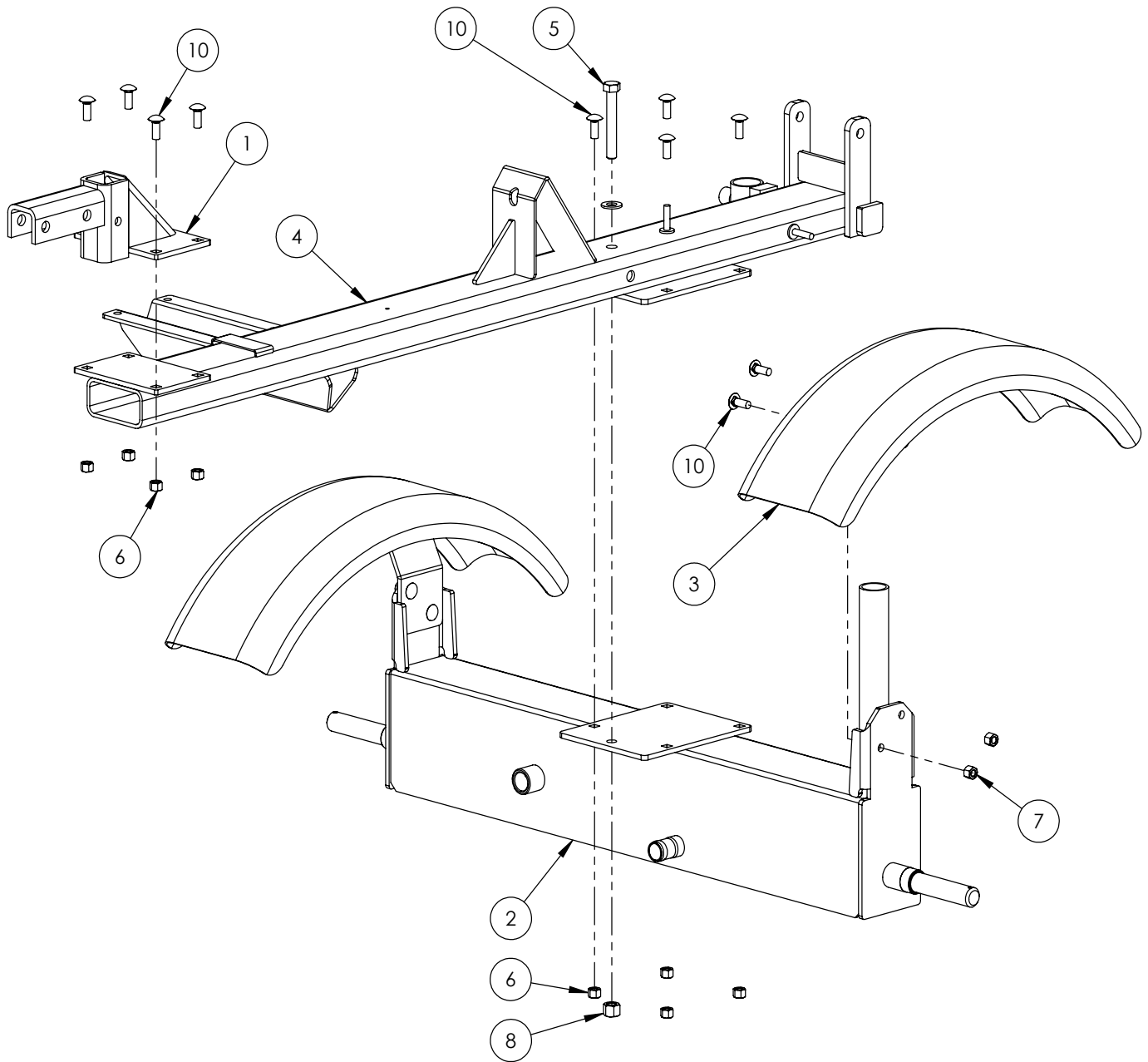
|                        |    |
|------------------------|----|
| Main Parts             | 4  |
| Valve                  | 6  |
| Valve & Fittings       | 8  |
| Hub                    | 9  |
| Engine & Pump          | 9  |
| Cylinder               | 10 |
| Rotating Base          | 11 |
| 4-Way Wedge (Optional) | 12 |
| Light Kit (Optional)   | 12 |
| Decal Breakdown        | 14 |



**WX980 PARTS BREAKDOWN**

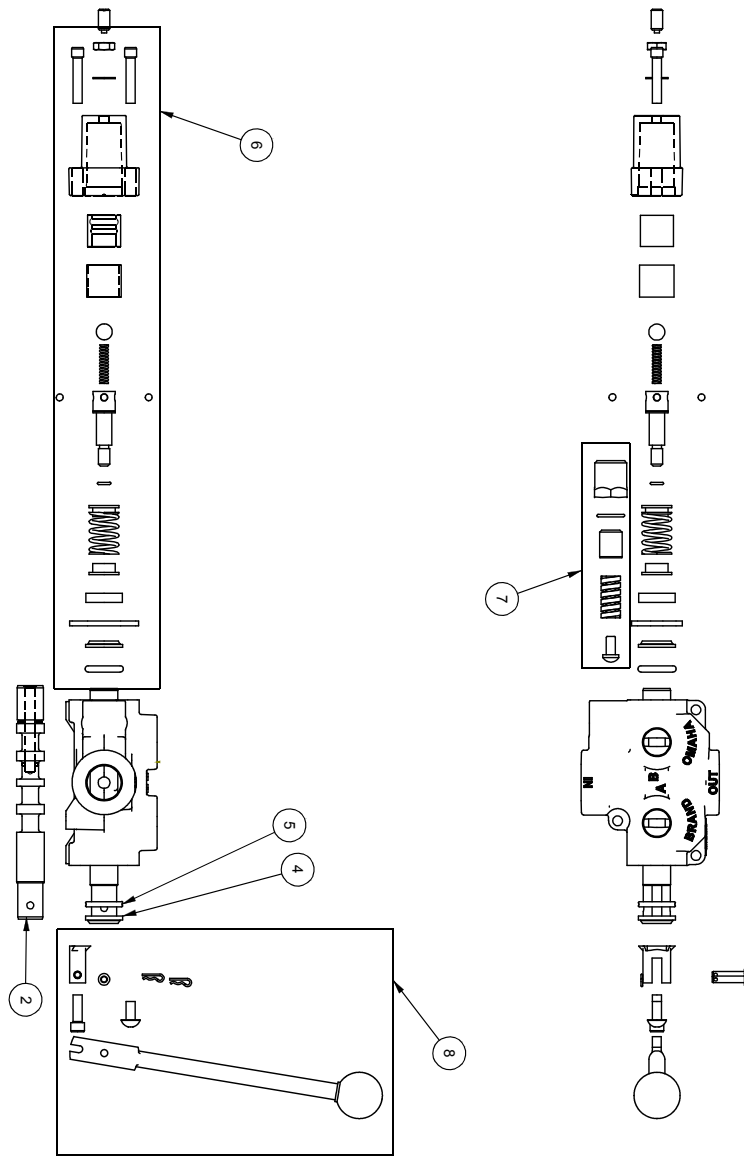
| ITEM | PART NO. | DESCRIPTION                    | QTY |
|------|----------|--------------------------------|-----|
| 1    | 2016M602 | Pin, Pivot Threaded            | 1   |
| 2    | 2054A402 | Breather cap dipstick          | 1   |
| 3    | 2054L412 | Clamp, Two Hose                | 1   |
| 4    | 2054W403 | Light Guard, RH                | 1   |
| 5    | 2054W404 | Light Guard, LH                | 1   |
| 6    | 2054W405 | Jack Stand, Rear               | 1   |
| 7    | 2054W406 | Jack Stand, Front              | 1   |
| 8    | 2054W407 | Handle, Rear Jack Lock         | 1   |
| 9    | 2061A101 | Assembly, Splitter Base        | 1   |
| 10   | 2061A103 | Assy, 9hp Engine to 16gpm Pump | 1   |
| 11   | 2061W102 | Weldment, Main Base            | 1   |
| 12   | 2061W103 | Weldment, Fender               | 2   |
| 13   | Z12431   | Snapper Pin 3/8 x 2-1/4        | 1   |
| 14   | Z51223   | Reducer, MP x FP 1608          | 1   |
| 15   | Z51331   | Elbow 90 MP x FPX 0808         | 1   |
| 16   | Z52309   | 1/2 Hose, 1/2MPx1/2MPx 70"     | 1   |
| 17   | Z52311   | 1/2 Hose, 1/2MPx1/2MPx 75"     | 1   |
| 18   | Z52405   | Suction Hose, 1" x 22"         | 1   |
| 19   | Z55303   | Oil Filter - 1" - Particulate  | 1   |
| 20   | Z55304   | Filter Cap, FP16 x FP16        | 1   |

| ITEM | PART NO. | DESCRIPTION                     | QTY |
|------|----------|---------------------------------|-----|
| 21   | Z61106   | Stop, Turn, Tail Light LH       | 1   |
| 22   | Z61107   | Stop, Turn, Tail Light RH       | 1   |
| 23   | Z71530   | Hex Bolt 1/2NC x 3              | 2   |
| 24   | Z72111   | Hex Lock Nut 1/4NC              | 4   |
| 25   | Z72221   | Hex Lock Nut 5/16NC             | 1   |
| 26   | Z72231   | Hex Lock Nut 3/8NC              | 4   |
| 27   | Z72251   | Hex Lock Nut 1/2NC              | 4   |
| 28   | Z73431   | Tooth Washer, 1/4               | 4   |
| 29   | Z76231   | Carriage Bolt 3/8NC x 1         | 4   |
| 30   | Z76712   | Self-tapping Screw #10          | 1   |
| 31   | Z79401   | Hose Clamp, #16                 | 2   |
| 32   | Z91202   | Assembly, 1000# 4-Bolt Hub      | 2   |
| 33   | Z91302   | 5.30-12 LRB SportTrail 4 Spoked | 2   |
| 34   | Z91614   | 2" Hitch Coupler                | 1   |
| 35   | Z92303   | Safety Chain 1/4 x 2'           | 2   |
| 36   | Z92303-2 | Safety Snap                     | 2   |
| 37   | Z96503   | Manual Tube 3-1/2 Short         | 1   |



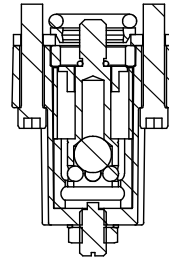
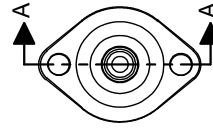
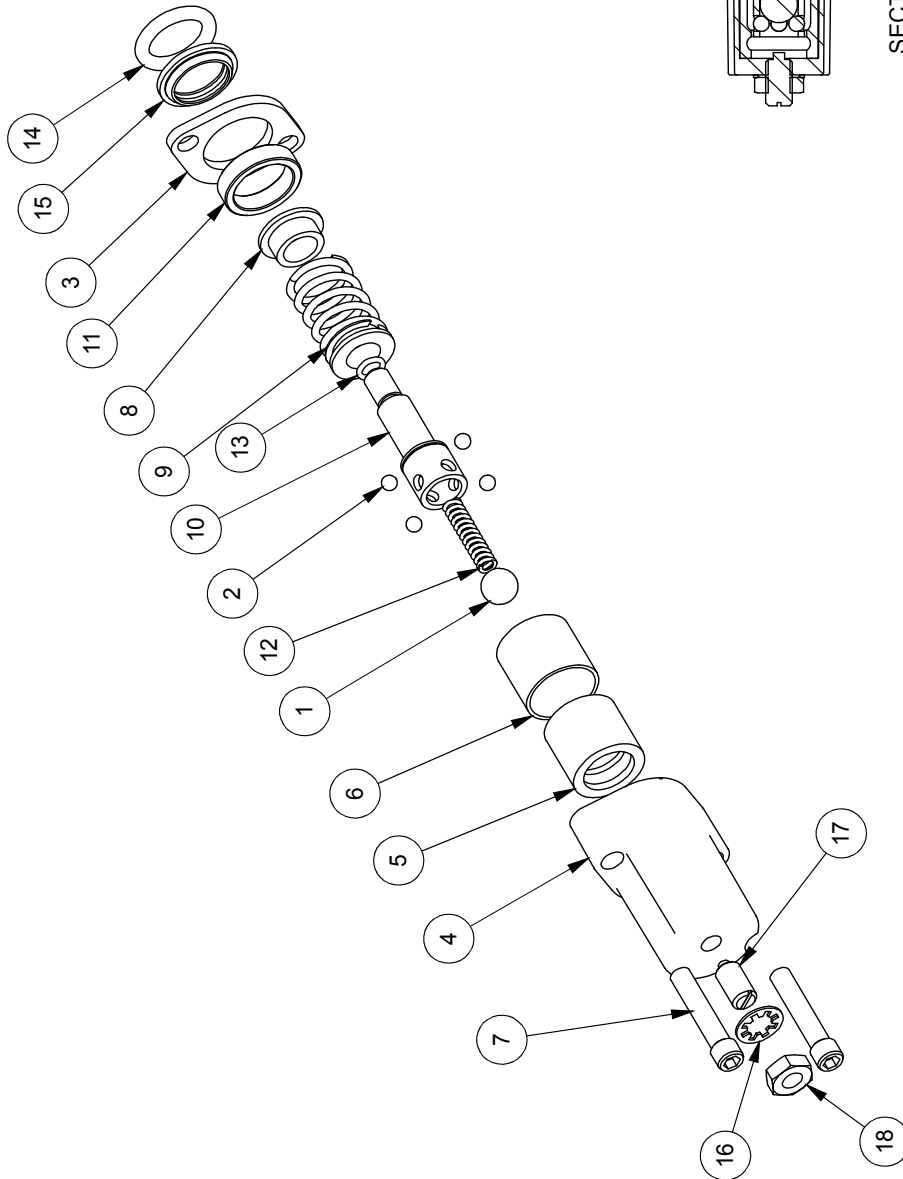
**2061A104 PARTS BREAKDOWN**

| ITEM | PART NO. | DESCRIPTION             | QTY |
|------|----------|-------------------------|-----|
| 1    | 2054W604 | Weldment, Hitch Mount   | 1   |
| 2    | 2061W102 | Weldment, Main Base     | 1   |
| 3    | 2061W103 | Weldment, Fender        | 2   |
| 4    | 2061W104 | Weldment, WX980 Tongue  | 1   |
| 5    | Z71535   | Hex Bolt 1/2NC x 3-1/2  | 1   |
| 6    | Z72231   | Hex Lock Nut 3/8NC      | 8   |
| 7    | Z72231   | Hex Lock Nut 3/8NC      | 4   |
| 8    | Z72251   | Hex Lock Nut 1/2NC      | 1   |
| 9    | Z73151   | Flat Washer, 1/2        | 1   |
| 10   | Z76231   | Carriage Bolt 3/8NC x 1 | 12  |

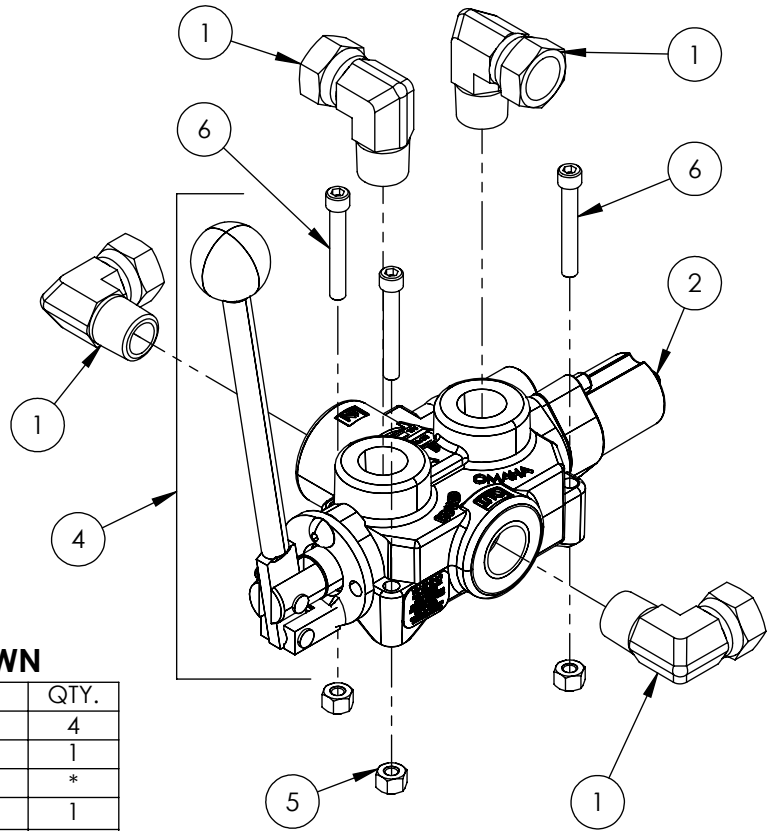


| ITEM NO. | QTY. | PART NO. | DESCRIPTION          |
|----------|------|----------|----------------------|
| 1        | 1    | A0CASTB  | AO CASTING           |
| 2        | 1    | LS304T4J | SPOOL                |
| 3        | 1    | P1740    | NAME TAG             |
| 4        | 1    | SF305    | WIPER                |
| 5        | 1    | SF304    | QUAD RING            |
| 6        | 1    | SUB-LS   | SUB-LS               |
|          |      | BS057    | 7/16 BALL            |
|          |      | DC7604   | 3/16 BALL            |
| 1        | 1    | SF306    | RETAINER             |
| 1        | 1    | SF477L   | SH LS ENDCAP         |
| 1        | 1    | XDC672   | LS SLEEVE            |
| 2        | 2    | SF483    | SPACER               |
| 2        | 2    | SF489    | ALL EN SCREW         |
| 1        | 1    | SF490    | CENTER STOP          |
| 1        | 1    | SF492    | CENTERING SPRING     |
| 1        | 1    | SF315    | HOUSING              |
| 1        | 1    | LS305    | SPACER               |
| 1        | 1    | DC7583   | DETENT SPRING        |
| 1        | 1    | SF496    | O-RING, BLUE, METRIC |
| 1        | 1    | LS306    | LS WIPER             |
| 1        | 1    | SF502    | 5/16 LOCK WASHER     |
| 1        | 1    | SF503    | PLUNGER, SPRING      |
| 1        | 1    | SF504    | 5/16 HEX JAM NUT     |
| 7        | 1    | SUB-R    | RELIEF               |
| 1        | 1    | P1603    | CAP NUT              |
| 1        | 1    | SF322    | O-RING, 2.016        |
| 1        | 1    | SF364A   | ADJ. SCREW           |
| 1        | 1    | BS05     | SPRING               |
| 1        | 1    | SF361A   | POPPET               |
| 8        | 1    | Z56915   | HANDLE KIT           |
| 1        | 1    | SF377    | RETAINER             |
| 1        | 1    | SF376    | SEAL RETAINER        |
| 1        | 1    | SF367A   | CLEVIS               |
| 1        | 1    | SF368    | HANDLE               |
| 2        | 2    | SF369    | PIN                  |
| 2        | 2    | P1767    | PIN CLIP             |
| 1        | 1    | HP5      | MACH. SCREW          |
| 1        | 1    | SF311    | KNOB                 |
| 1        | 1    | SF308    | CAP SCREW            |
| 1        | 1    | SF303T4J | SPOOL                |
| 9        | 1    | P1654    | WARNING TAG          |

| ITEM NO. | QTY. | PART NO. | DESCRIPTION      |
|----------|------|----------|------------------|
| 1        | 1    | B5057    | 7/16 BALL        |
| 2        | 4    | DC7604   | 3/16 BALL        |
| 3        | 1    | SF306    | RETAINER         |
| 4        | 1    | SF477L   | SH LS ENDCAP     |
| 5        | 1    | SF480    | SD SLEEVE        |
| 6        | 1    | SF483    | SPACER           |
| 7        | 2    | SF486    | ALLEN SCREW      |
| 8        | 2    | SF489    | CENTER STOP      |
| 9        | 1    | SF490    | CENTERING SPRING |
| 10       | 1    | SF492    | HOUSING          |
| 11       | 1    | SF315    | SPACER           |
| 12       | 1    | LS305    | DETENT SPRING    |
| 13       | 1    | DC7583   | O-RING 3-902     |
| 14       | 1    | SF496    | METRIC O-RING    |
| 15       | 1    | LS306    | LS WIPER         |
| 16       | 1    | SF502    | 5/16 LOCK WASHER |
| 17       | 1    | SF503    | SPRING PLUNGER   |
| 18       | 1    | SF504    | 5/16 HEX JAM NUT |



SECTION A-A

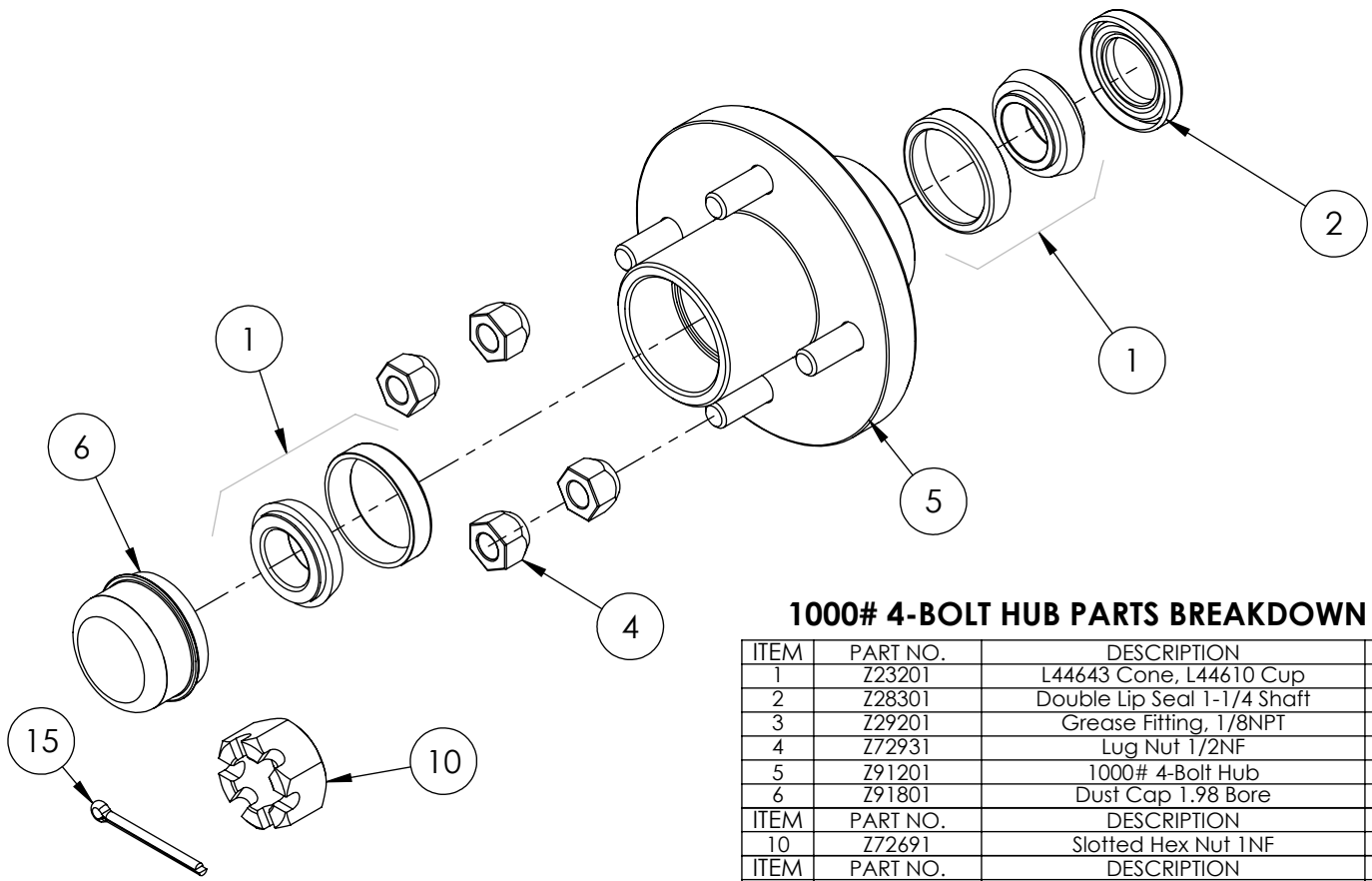


**VALVE AND FITTINGS PARTS BREAKDOWN**

| ITEM | PART NO. | Description                    | QTY. |
|------|----------|--------------------------------|------|
| 1    | Z51331   | Elbow 90 MP x FPX 0808         | 4    |
| 2    | Z56209   | Valve, Single Function Detent  | 1    |
| 3    | *Z56210* | Valve, Closed Center           | *    |
| 4    | Z56915   | Complete Handle Kit for Z56209 | 1    |
| 5    | Z72111   | Hex Lock Nut 1/4NC             | 3    |
| 6    | Z75114   | SHCS, 1/4NC x 1-3/4            | 3    |

\*CLOSED CENTER VALVE REQUIRED FOR "C" MODELS.\*



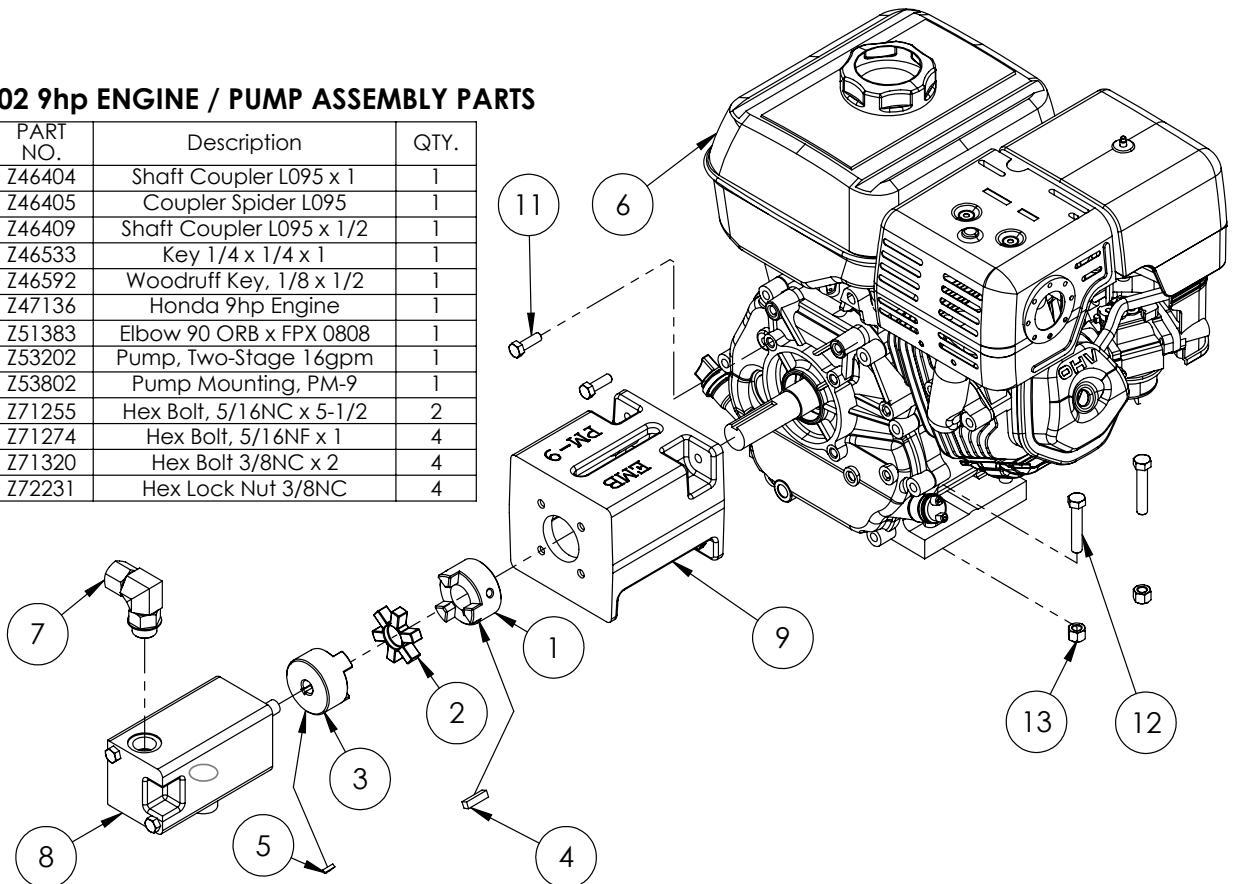


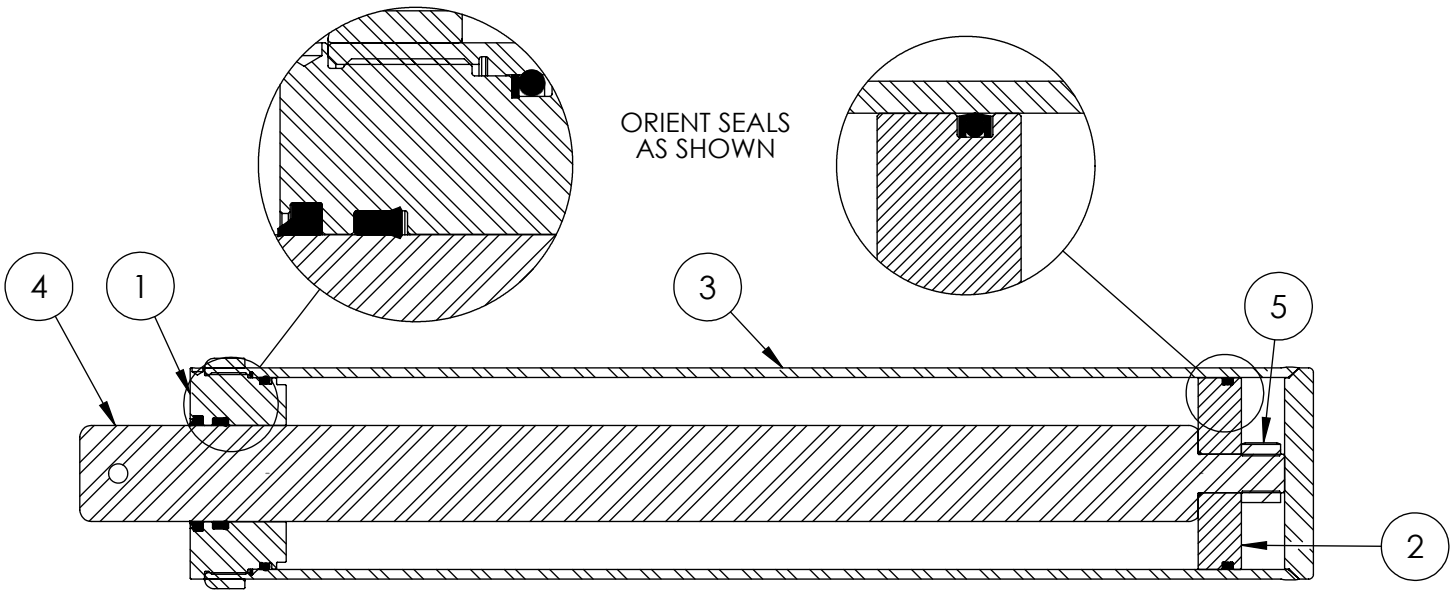
**1000# 4-BOLT HUB PARTS BREAKDOWN**

| ITEM | PART NO. | DESCRIPTION                 | QTY |
|------|----------|-----------------------------|-----|
| 1    | Z23201   | L44643 Cone, L44610 Cup     | 2   |
| 2    | Z28301   | Double Lip Seal 1-1/4 Shaft | 1   |
| 3    | Z29201   | Grease Fitting, 1/8NPT      | 1   |
| 4    | Z72931   | Lug Nut 1/2NF               | 4   |
| 5    | Z91201   | 1000# 4-Bolt Hub            | 1   |
| 6    | Z91801   | Dust Cap 1.98 Bore          | 1   |
| ITEM | PART NO. | DESCRIPTION                 | QTY |
| 10   | Z72691   | Slotted Hex Nut 1NF         | 1   |
| ITEM | PART NO. | DESCRIPTION                 | QTY |
| 15   | Z12322   | Cotter Pin 3/16 X 2         | 1   |

**2061A102 9hp ENGINE / PUMP ASSEMBLY PARTS**

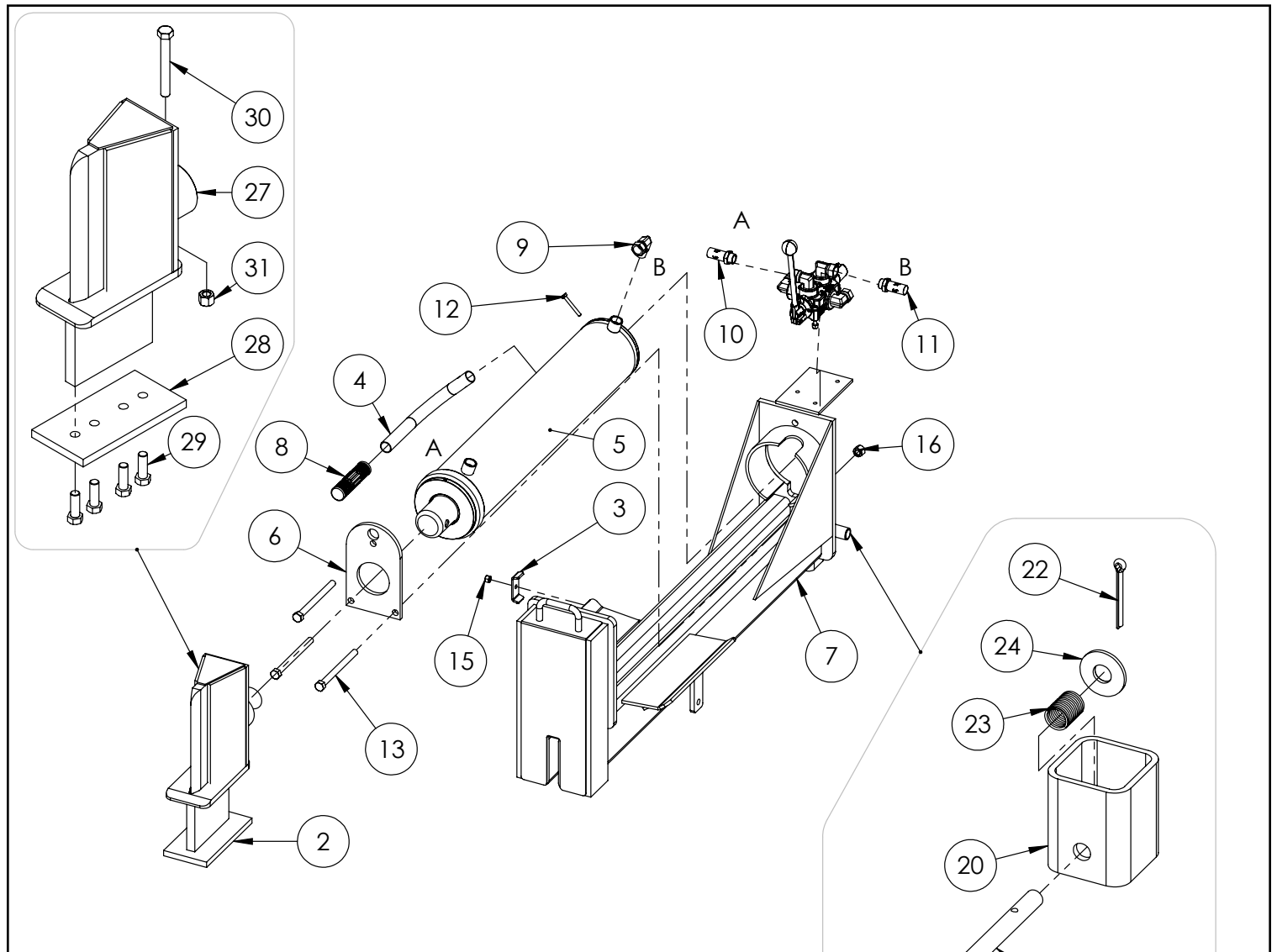
| ITEM | PART NO. | Description              | QTY. |
|------|----------|--------------------------|------|
| 1    | Z46404   | Shaft Coupler L095 x 1   | 1    |
| 2    | Z46405   | Coupler Spider L095      | 1    |
| 3    | Z46409   | Shaft Coupler L095 x 1/2 | 1    |
| 4    | Z46533   | Key 1/4 x 1/4 x 1        | 1    |
| 5    | Z46592   | Woodruff Key, 1/8 x 1/2  | 1    |
| 6    | Z47136   | Honda 9hp Engine         | 1    |
| 7    | Z51383   | Elbow 90 ORB x FPX 0808  | 1    |
| 8    | Z53202   | Pump, Two-Stage 16gpm    | 1    |
| 9    | Z53802   | Pump Mounting, PM-9      | 1    |
| 10   | Z71255   | Hex Bolt, 5/16NC x 5-1/2 | 2    |
| 11   | Z71274   | Hex Bolt, 5/16NF x 1     | 4    |
| 12   | Z71320   | Hex Bolt 3/8NC x 2       | 4    |
| 13   | Z72231   | Hex Lock Nut 3/8NC       | 4    |





**5" x 24" STROKE CYLINDER PARTS**

| ITEM | PART NO.   | Description                           | QTY. |
|------|------------|---------------------------------------|------|
| 1    | G500-250SA | 5" Bore x 2-1/2" Rod Gland With Seals | 1    |
| 2    | P100-500SA | 5" Bore Piston With Seals             | 1    |
| 3    | 2015C5014  | Barrel, 5"                            | 1    |
| 4    | 2015C5012  | Rod, 2-1/2x 1                         | 1    |
| 5    | Z72292G8   | Hex Lock Nut 1NF Grade 8              | 1    |
| 6    | SLK-5025   | Seal Kit, 5 x 2-1/2                   | 1    |

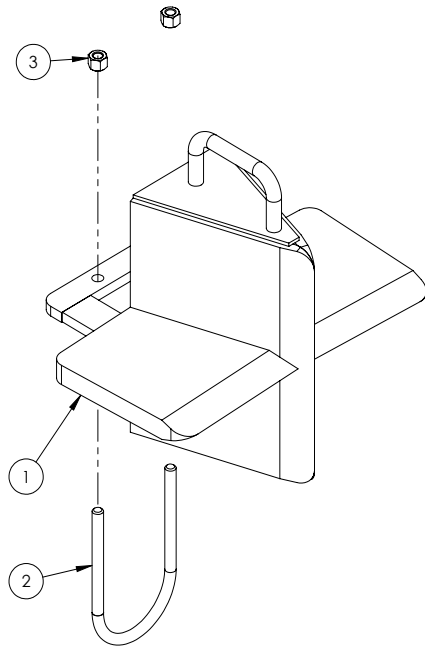


**WX980 ROTATING BASE PARTS BREAKDOWN**

| ITEM | PART NO. | Description                      | QTY. |
|------|----------|----------------------------------|------|
| 1    | 2011A103 | Assembly, Valve with Fittings    | 1    |
| 2    | 2015A505 | Wedge Assy for 5" Cylinder       | 1    |
| 3    | 2054L412 | Clamp, Two Hose                  | 2    |
| 4    | 2054S414 | Handle, Lift                     | 1    |
| 5    | 2061C101 | Cylinder, 5 x 24" x 2-1/2"       | 1    |
| 6    | 2061S121 | Plate, Cylinder Retaining (Bolt) | 1    |
| 7    | 2061W101 | Weldment for WX980               | 1    |
| 8    | Z19321   | Grip, 1" x 5"                    | 1    |
| 9    | Z51331   | Elbow 90 MP x FPX 0808           | 1    |
| 10   | Z52301   | 1/2 Hose MP08 x MP08 x 16"       | 1    |
| 11   | Z52305   | 1/2 Hose, MP08 x MP08 x 24"      | 1    |
| 12   | Z71120   | Hex Bolt 1/4NC x 2"              | 1    |
| 13   | Z71560   | Hex Bolt 1/2NC x 6"              | 3    |
| 14   | Z72111   | Hex Lock Nut 1/4NC               | 1    |
| 15   | Z72221   | Hex Lock Nut 5/16NC              | 2    |
| 16   | Z72251   | Hex Lock Nut 1/2NC               | 3    |
| ITEM | PART NO. | Description                      | QTY. |
| 20   | 2016S604 | Housing, Latch Spring            | 1    |
| 21   | 2016W603 | Handle, Spring Latch             | 1    |
| 22   | Z12321   | Cotter Pin 3/16 X 2-1/2"         | 1    |
| 23   | Z32301   | Spring 19mm x 79mm Med           | 1    |
| 24   | Z73250   | Wide Flat Washer, 1/2"           | 1    |

**2016A602 LATCH PARTS (WELDED ON)**

| ITEM | PART NO. | DESCRIPTION                  | QTY |
|------|----------|------------------------------|-----|
| 27   | 2015W505 | Wedge for 5" Cylinder        | 1   |
| 28   | 2014S414 | Plate, Sliding Wedge Capture | 1   |
| 29   | Z71576   | Hex Bolt 1/2NF x 1-1/2"      | 4   |
| 30   | Z71540   | Hex Bolt 1/2NC x 4"          | 1   |
| 31   | Z72251   | Hex Lock Nut 1/2NC           | 1   |



**W4130 4-Way Wedge (Optional)**

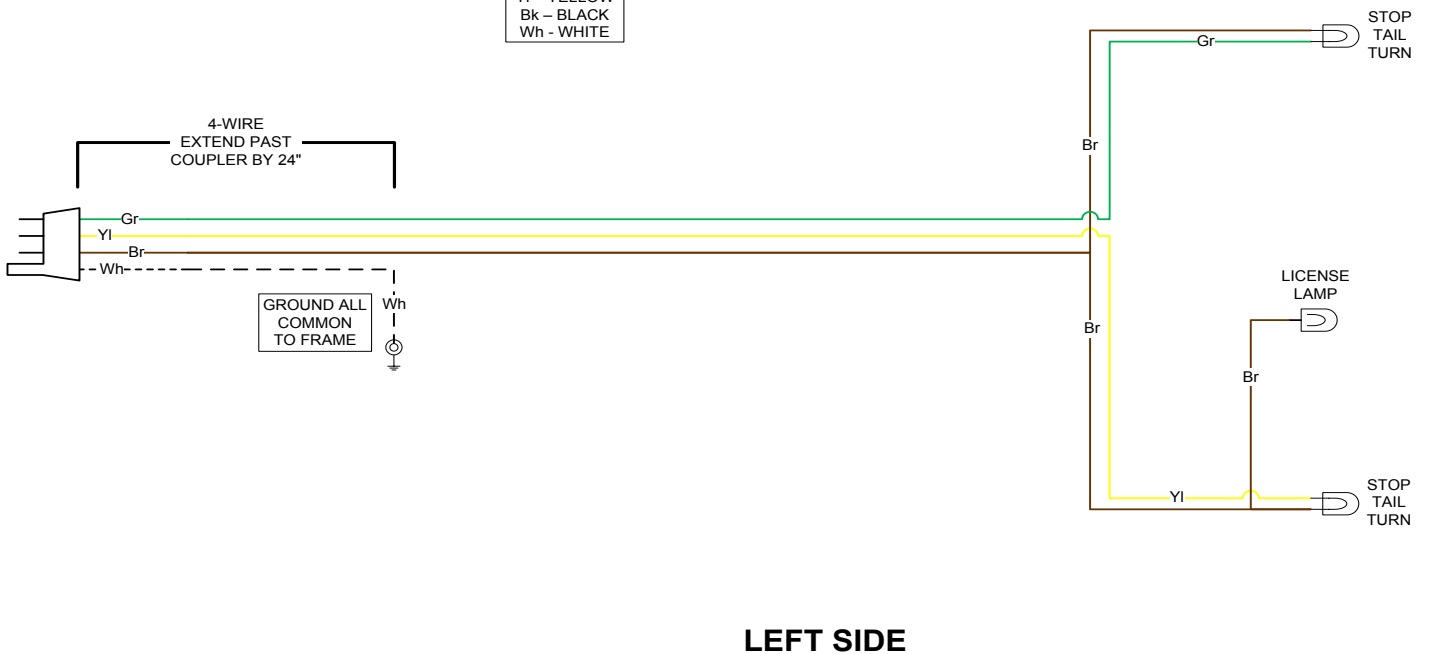
| ITEM | PART NO. | DESCRIPTION          | QTY |
|------|----------|----------------------|-----|
| 1    | 2082W301 | Weldment, Main 4-Way | 1   |
| 2    | 2082S307 | U-Bolt, 3 x 4        | 1   |
| 3    | 772231   | Hex Lock Nut 3/8NC   | 2   |

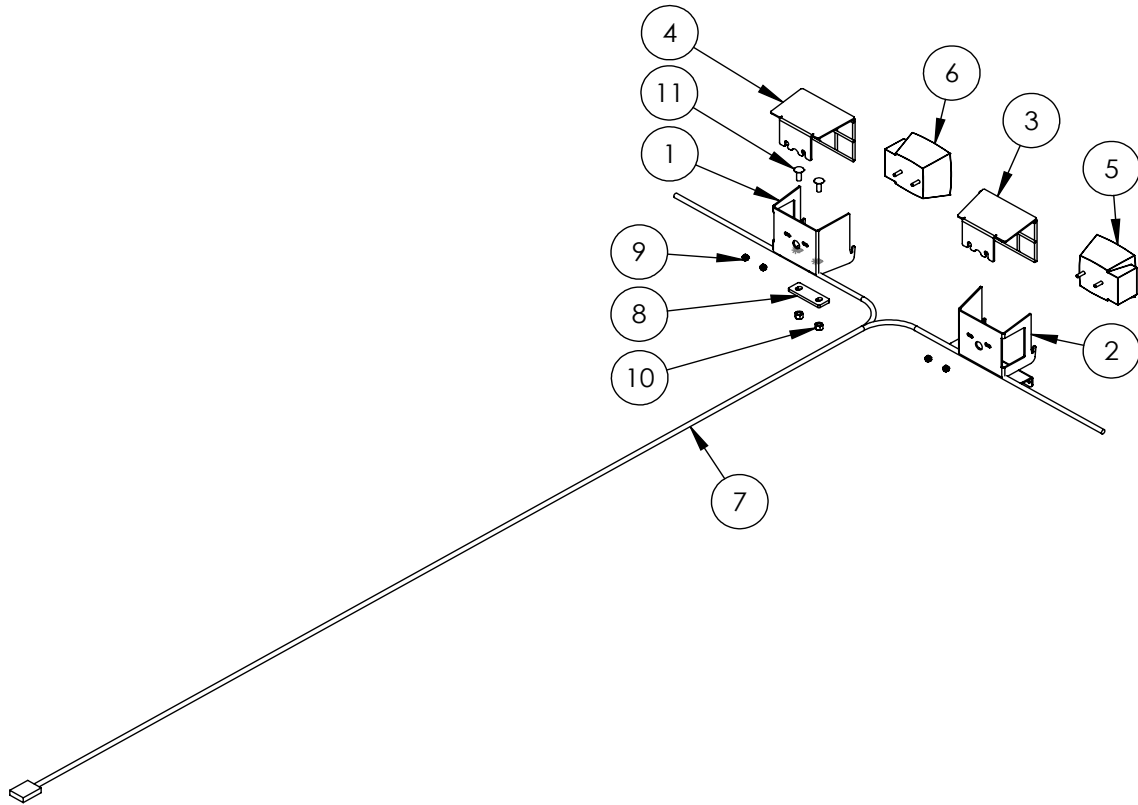
**WX TRAILER  
SPLITTER WIRING**

**RIGHT SIDE**

**KEY**

|    |          |
|----|----------|
| Bl | - BLUE   |
| Br | - BROWN  |
| Gr | - GREEN  |
| Rd | - RED    |
| Yl | - YELLOW |
| Bk | - BLACK  |
| Wh | - WHITE  |



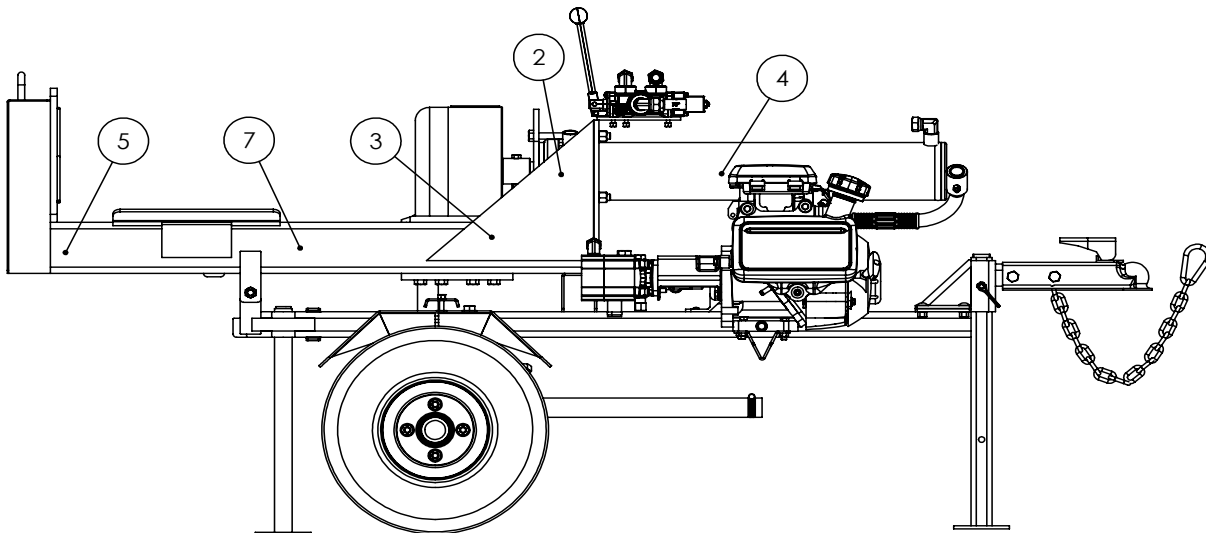
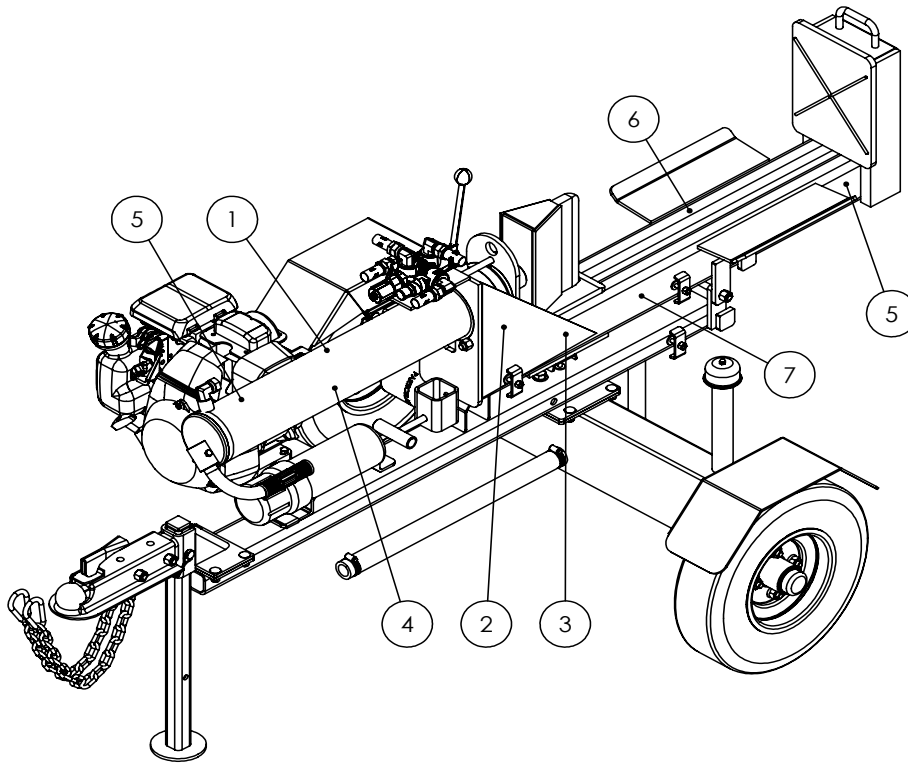


### 2089A350 LIGHT KIT (Optional)

| ITEM | PART NO. | DESCRIPTION                  | QTY |
|------|----------|------------------------------|-----|
| 1    | 2054L601 | Light Bracket, RH            | 1   |
| 2    | 2054L402 | Light Bracket, LH            | 1   |
| 3    | 2054W404 | Light Guard, LH              | 1   |
| 4    | 2054W403 | Light Guard, RH              | 1   |
| 5    | Z61106   | Stop, Turn, Tail Light LH    | 1   |
| 6    | Z61107   | Stop, Turn, Tail Light RH    | 1   |
| 7    | Z62102   | 10' Wishbone Trailer Harness | 1   |
| 8    | 2054L622 | Bracket, Light Base          | 1   |
| 9    | Z72941   | Serrated Washer Nut 1/4NC    | 4   |
| 10   | Z72231   | Hex Lock Nut 3/8NC           | 2   |
| 11   | Z76231   | Carriage Bolt 3/8NC x 1      | 2   |

## HORIZONTAL-VERTICAL LOG SPLITTER DECAL BREAKDOWN

| ITEM | PART NO. | DESCRIPTION               | QTY |
|------|----------|---------------------------|-----|
| 1    | Z94039   | CAUTION - Read Manual     | 1   |
| 2    | Z94040   | WARNING - Moving Wedge    | 2   |
| 3    | Z94067   | Clear Guide               | 2   |
| 4    | Z94056   | Wallenstein               | 2   |
| 5    | Z94019   | Made in Canada            | 3   |
| 6    | Z94066   | Apply Oil or Grease       | 1   |
| 7    | Z94045   | WARNING - Lock Stabilizer | 2   |



# Horizontal-Vertical Log Splitter Decals

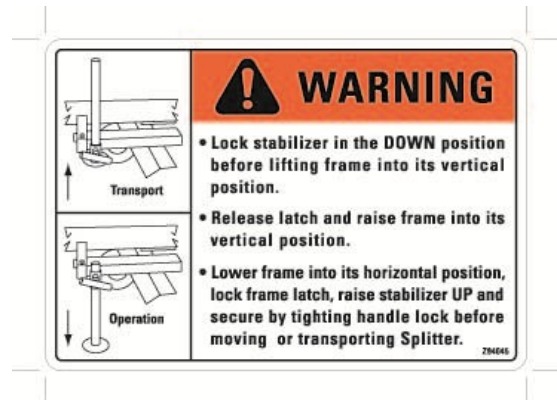
Z94056



Z94067



Z94045



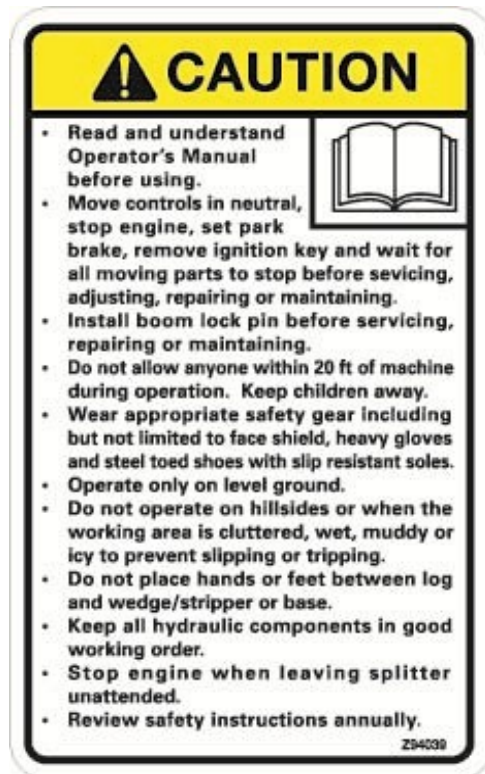
Z94066



Z94019



Z94039



Z94040





**WALLENSTEIN Products Manufactured by:**

**EMB MFG Inc.**

4144 Boomer Line  
St. Clements, Ontario  
Canada N0B 2M0  
Phone: 1-877-695-9283  
Fax: 519-699-4146  
[www.embmfg.com](http://www.embmfg.com)