



LX100 Boom & Log Grapple Parts Manual

Up to S/N 610009



Foreword

EMB Mfg. has prepared this parts manual to assist customers in ordering quality OEM replacement parts.

Proper and regular service and replacing old, worn or broken parts with the correct OEM parts are essential to prolonging the life of your EMB product. Please refer to this manual before ordering any replacement parts.

All information contained in this parts manual is based on the latest product specification available at the time of printing this manual. If your product differs from the specifications contained within this manual contact EMB Mfg. for information.

EMB reserves the right to alter specifications on their products at any time.

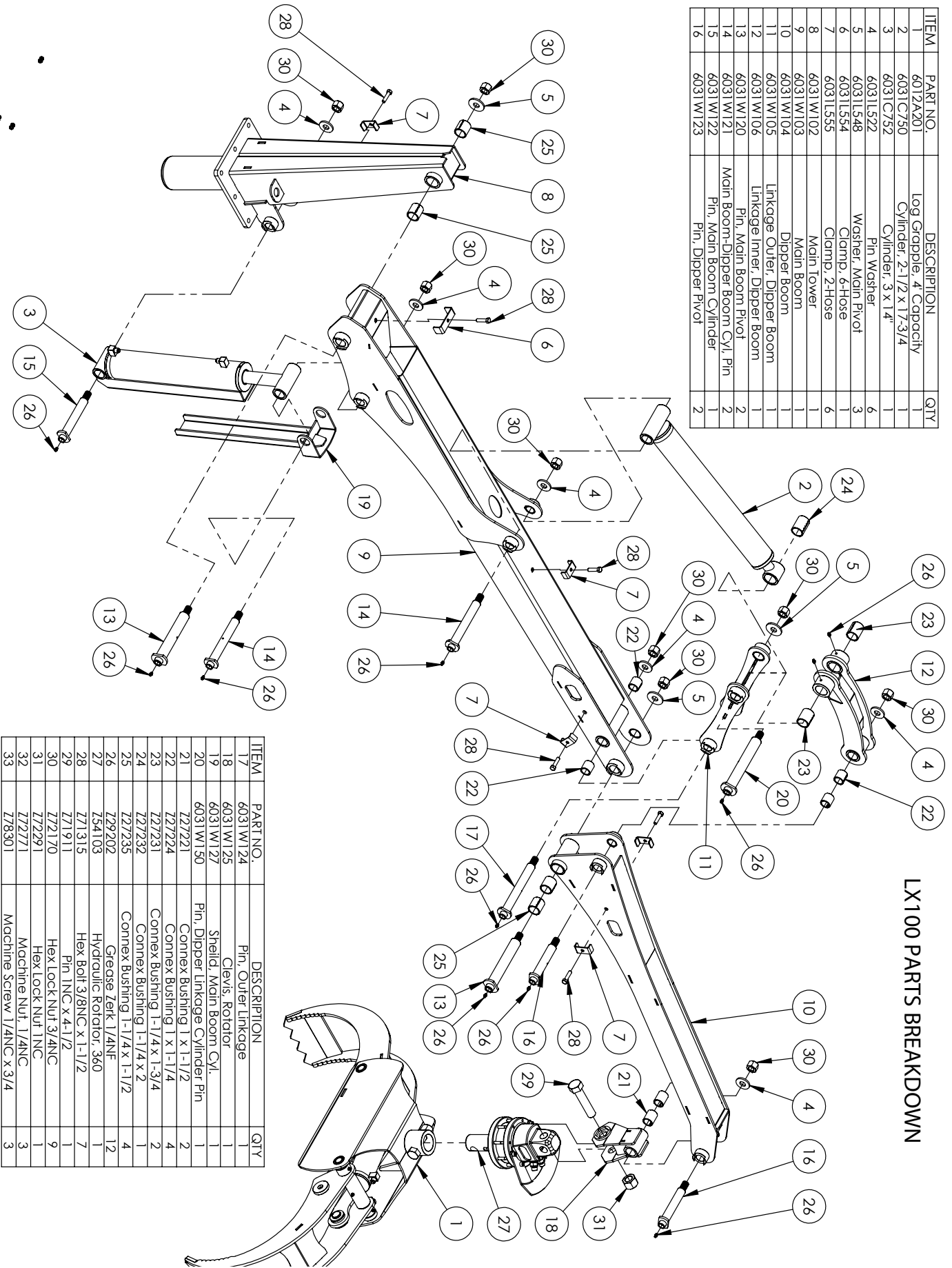
Reproduction of this parts manual of any kind is prohibited without prior written permission from EMB Mfg.

Table of Contents

Boom	4
Swing Mechanism	5
Grapple	6
Hydraulics	7
Cylinders	8
Power Pack (Option)	12
Flow Control (Option)	13
Decals	14

ITEM	PART NO.	DESCRIPTION	QTY
1	6012A201	Log Grapple, 4 Capacity	1
2	6031C750	Cylinder, 2-1/2 x 17-3/4	1
3	6031C752	Cylinder, 3 x 14"	1
4	6031L572	Pin Washer	6
5	6031L548	Washer, Main Pivot	3
6	6031L554	Clamp, 2-Hose	1
7	6031L555	Clamp, 2-Hose	6
8	6031W102	Main Tower	1
9	6031W103	Main Boom	1
10	6031W104	Dipper Boom	1
11	6031W105	Linkage Outer, Dipper Boom	1
12	6031W106	Linkage Inner, Dipper Boom	1
13	6031W120	Pin, Main Boom Pivot	2
14	6031W121	Main Boom-Dipper Boom Cyl. Pin	2
15	6031W122	Pin, Main Boom Cylinder	1
16	6031W123	Pin, Dipper Pivot	2

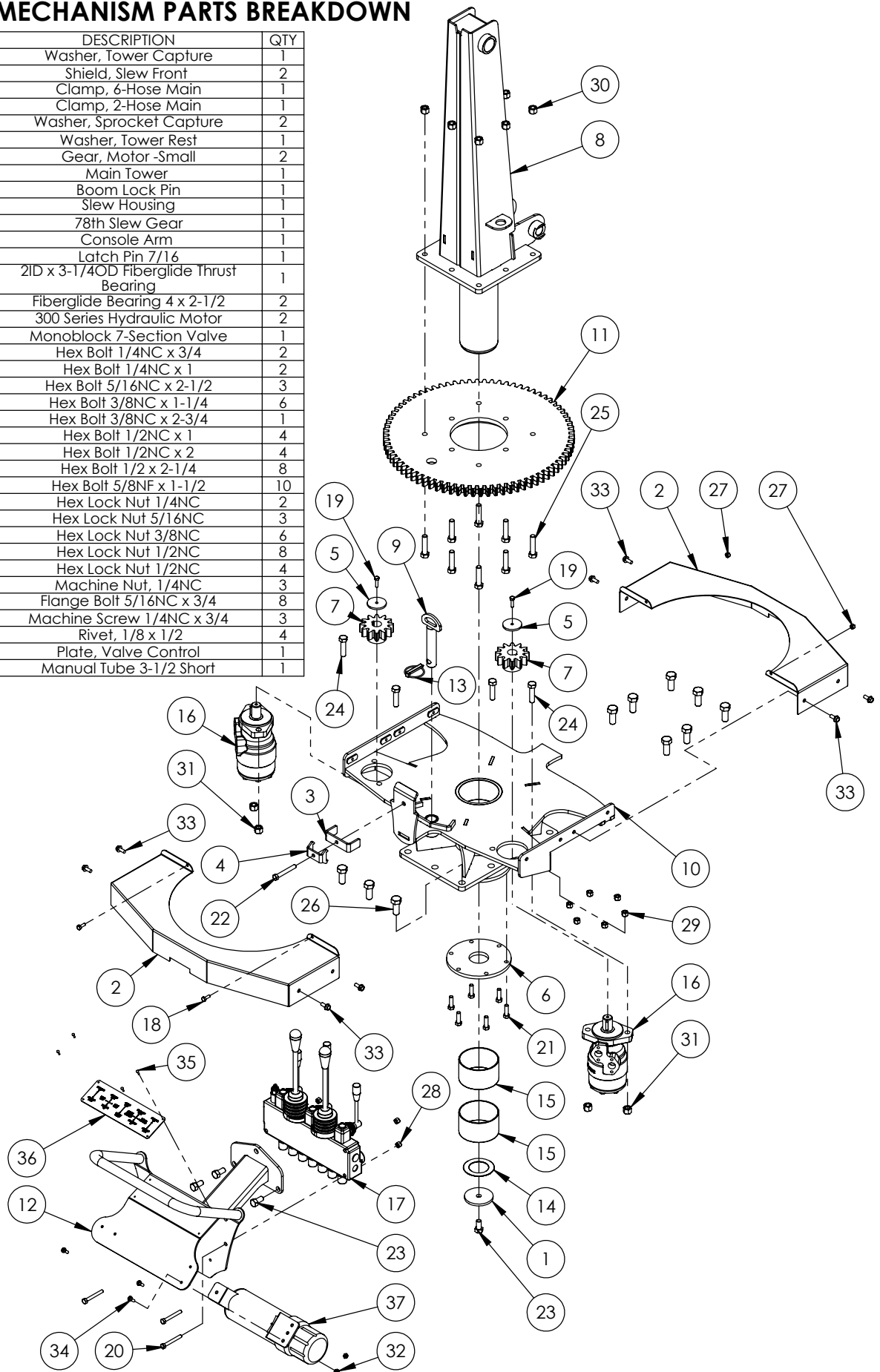
LX100 PARTS BREAKDOWN

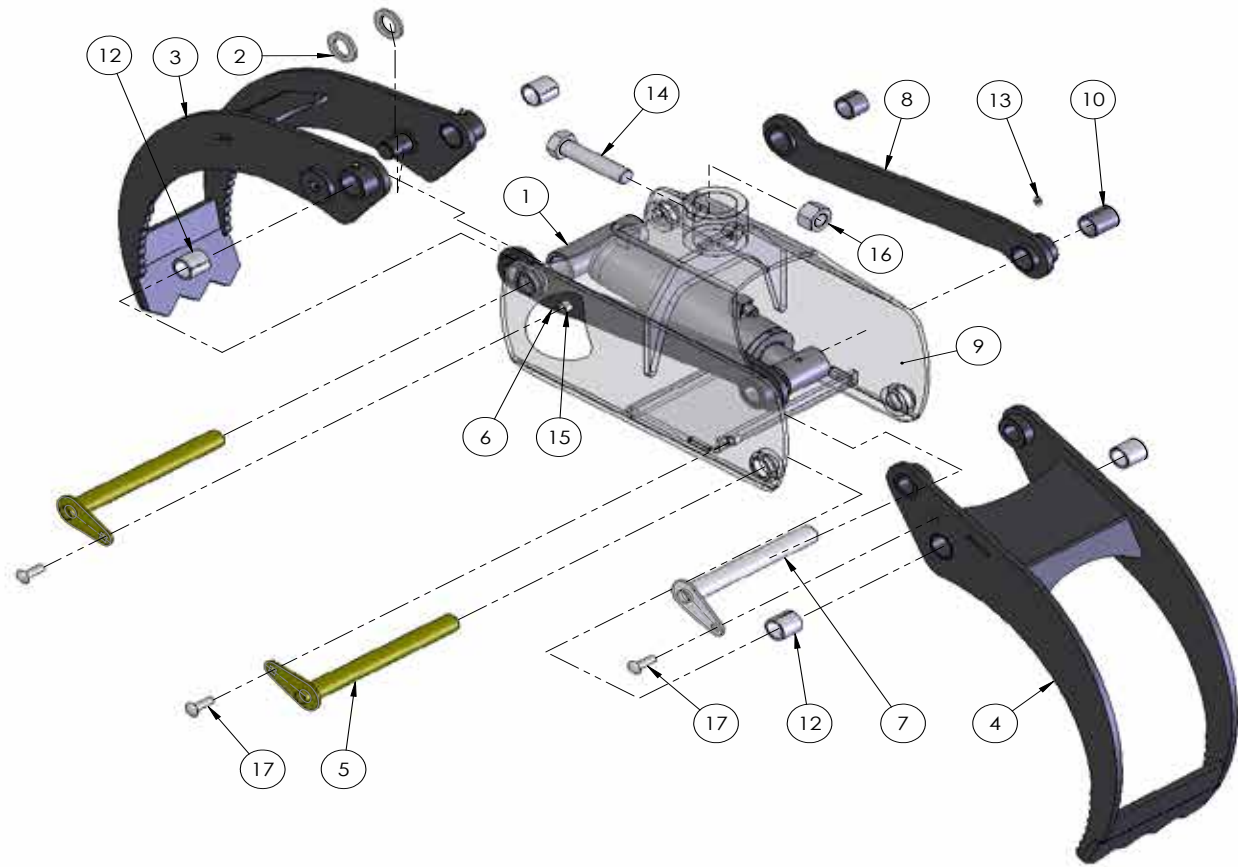


ITEM	PART NO.	DESCRIPTION	QTY
17	6031W124	Pin, Outer Linkage	1
18	6031W125	Clevis, Rotator	1
19	6031W127	Shield, Main Boom Cyl.	1
20	6031W150	Pin, Dipper Linkage Cylinder Pin	1
21	Z27221	Connex Bushing 1 x 1-1/2	2
22	Z27224	Connex Bushing 1 x 1-1/4	4
23	Z27231	Connex Bushing 1-1/4 x 1-3/4	2
24	Z27232	Connex Bushing 1-1/4 x 2	1
25	Z27235	Connex Bushing 1-1/4 x 1-1/2	4
26	Z29202	Grease Zerk 1/4NF	12
27	Z34103	Hydraulic Rotator, 360	1
28	Z71315	Hex Bolt 3/8NC x 1-1/2	7
29	Z71911	Pin 1NC x 4-1/2	1
30	Z72170	Hex Lock Nut 3/4NC	9
31	Z72291	Hex Lock Nut 1NC	1
32	Z72771	Machine Nut, 1/4NC	3
33	Z78301	Machine Screw 1/4NC x 3/4	3

LX100 SWING MECHANISM PARTS BREAKDOWN

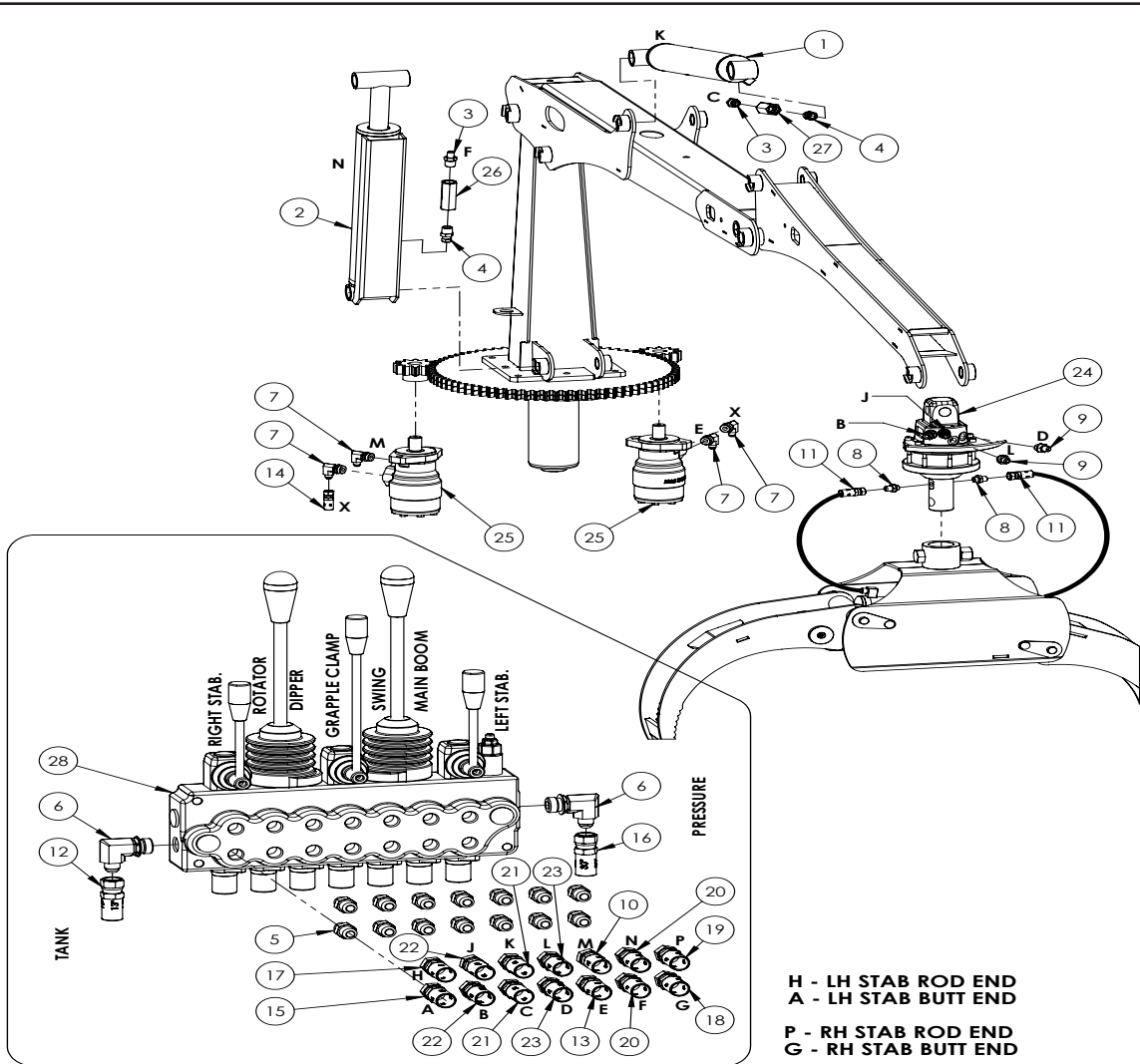
ITEM	PART NO.	DESCRIPTION	QTY
1	6031L582	Washer, Tower Capture	1
2	6031L583	Shield, Slew Front	2
3	6031L586	Clamp, 6-Hose Main	1
4	6031L587	Clamp, 2-Hose Main	1
5	6031L592	Washer, Sprocket Capture	2
6	6031L595	Washer, Tower Rest	1
7	6031M653	Gear, Motor -Small	2
8	6031W102	Main Tower	1
9	6031W126	Boom Lock Pin	1
10	6031W129	Slew Housing	1
11	6031W131	78th Slew Gear	1
12	6031W133	Console Arm	1
13	Z12140	Latch Pin 7/16	1
14	Z22401	2ID x 3-1/4OD Fiberglide Thrust Bearing	1
15	Z27102	Fiberglide Bearing 4 x 2-1/2	2
16	Z54104	300 Series Hydraulic Motor	2
17	Z56206	Monoblock 7-Section Valve	1
18	Z71107	Hex Bolt 1/4NC x 3/4	2
19	Z71110	Hex Bolt 1/4NC x 1	2
20	Z71225	Hex Bolt 5/16NC x 2-1/2	3
21	Z71312	Hex Bolt 3/8NC x 1-1/4	6
22	Z71327	Hex Bolt 3/8NC x 2-3/4	1
23	Z71510	Hex Bolt 1/2NC x 1	4
24	Z71520	Hex Bolt 1/2NC x 2	4
25	Z71522	Hex Bolt 1/2 x 2-1/4	8
26	Z71671	Hex Bolt 5/8NF x 1-1/2	10
27	Z72111	Hex Lock Nut 1/4NC	2
28	Z72221	Hex Lock Nut 5/16NC	3
29	Z72231	Hex Lock Nut 3/8NC	6
30	Z72251	Hex Lock Nut 1/2NC	8
31	Z72251	Hex Lock Nut 1/2NC	4
32	Z72771	Machine Nut, 1/4NC	3
33	Z76121	Flange Bolt 5/16NC x 3/4	8
34	Z78301	Machine Screw 1/4NC x 3/4	3
35	Z79302	Rivet, 1/8 x 1/2	4
36	Z94122	Plate, Valve Control	1
37	Z96503	Manual Tube 3-1/2 Short	1





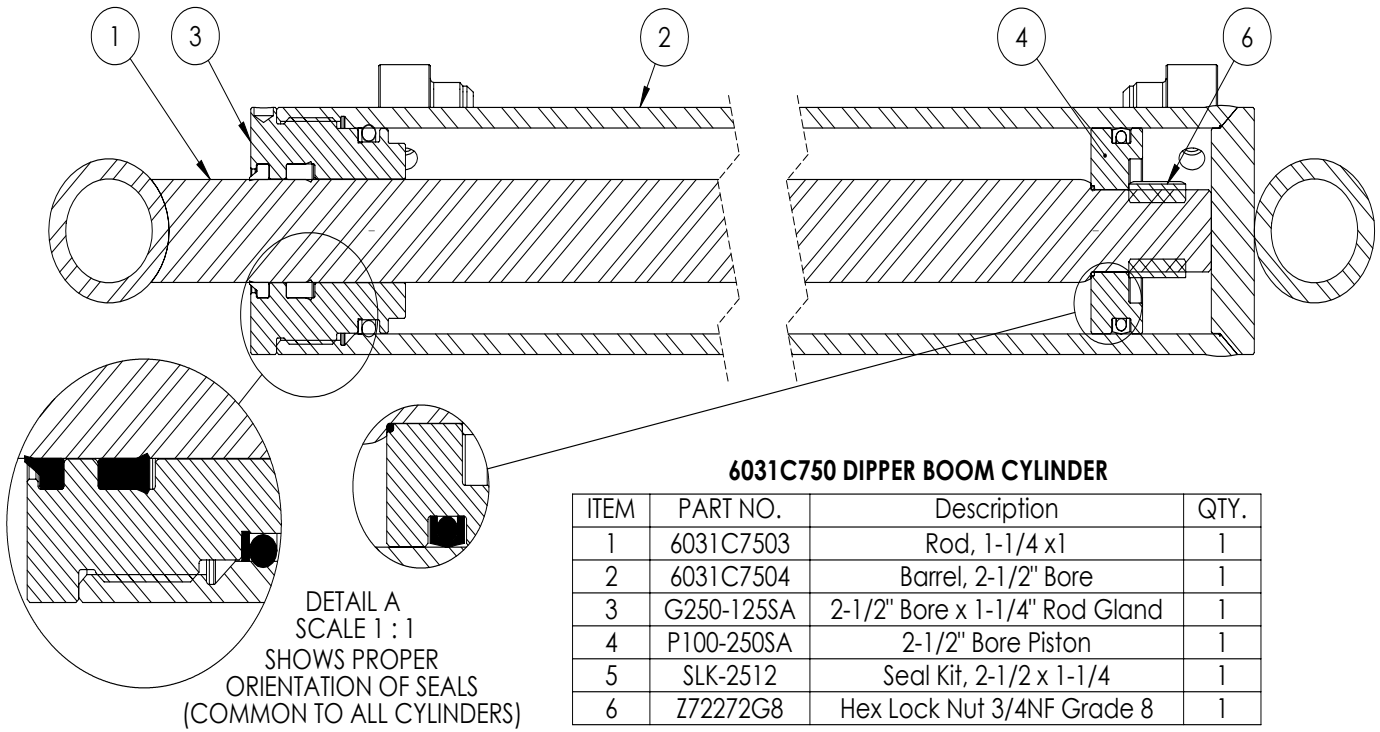
LX100 GRAPPLE PARTS BREAKDOWN

ITEM	6012A201	Description	QTY.
1	6012C205	Cylinder, 2-1/2 x 6	1
2	6012L118	Washer, Linkage	2
3	6012W201	Narrow (Inside) Fork	1
4	6012W202	Wide (Outside) Fork	1
5	6012W203	1" Flange Pin	2
6	6012W204	Linkage Bar	1
7	6012W205	1" Hex Head Pin	1
8	6012W207	Linkage Bar	1
9	6031W150	Main Grapple Frame	1
10	Z27221	Connex Bushing 1 x 1-1/2	2
11	Z27223	Connex Bushing 1 x 1	2
12	Z27224	Connex Bushing 1 x 1-1/4	4
13	Z29202	Grease Zerk 1/4NF	8
14	Z71872	Hex Bolt, 7/8NC x 4	1
15	Z72231	Hex Lock Nut 3/8NC	3
16	Z72281	Hex Lock Nut 7/8NC	1
17	Z76232	Carriage Bolt 3/8NC x 1-1/4	3



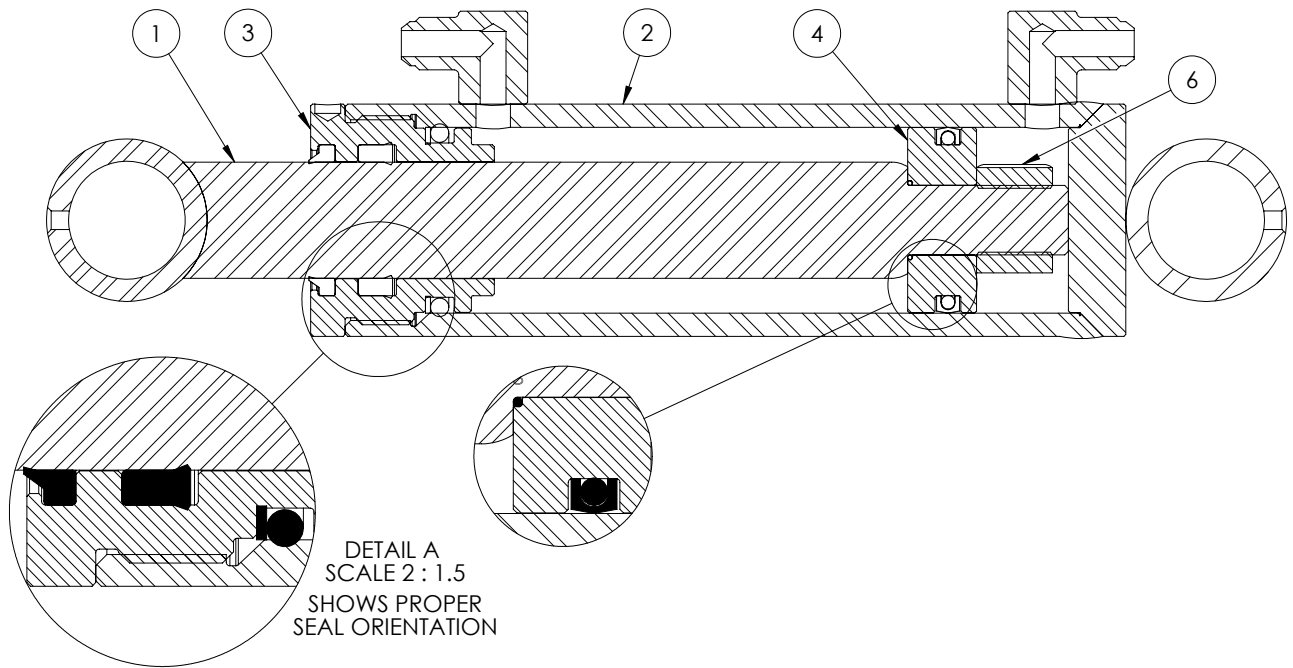
LX100 HYDRAULICS BREAKDOWN

ITEM	PART NO.	DESCRIPTION	QTY
1	6031C750	Cylinder, 2-1/2 x 17-3/4	1
2	6031C752	Cylinder, 3 x 14"	1
3	Z51441	#6JIC x 1/2NPT	2
4	Z51512	1/2NPT x #6FJICx	2
5	Z51641	#6ORB x #6JIC	14
6	Z51655	#6JIC x #8ORB 90	2
7	Z51656	#6JIC x #10ORB 90	4
8	Z51901	#4BSPP x #6JIC	2
9	Z51902	#6BSPP x #6JIC	2
10	Z52202	3/8 Hose, #6FJIC x #6FJIC x 12"	1
11	Z52203	3/8 Hose, #6FJIC x #6FJIC x 15"	2
12	Z52204	3/8 Hose, 1/2NPT x #6FJIC x 13"	1
13	Z52205	3/8 Hose, #6FJIC x #6FJIC x 26"	1
14	Z52206	3/8 Hose, #6FJIC x #6FJIC x 30"	1
15	Z52207	3/8 Hose, #6FJIC x #6FJIC x 34	1
16	Z52208	3/8 Hose, 3/8NPT x #6FJIC x 30"	1
17	Z52209	3/8 Hose, #6FJIC x #6FJIC x 47	1
18	Z52210	3/8 Hose, #6FJIC x #6FJIC x 41	1
19	Z52211	3/8 Hose, #6FJIC x #6FJIC x 53"	1
20	Z52212	3/8 Hose, #6FJIC x #6FJIC x 68"	2
21	Z52214	3/8 Hose, #6FJIC x #6FJIC x 128	2
22	Z52215	3/8 Hose, #6FJIC x #6BSPP x 220	2
23	Z52216	3/8 Hose, #6FJIC x #6FJIC 45 x 220	2
24	Z54103	Hydraulic Rotator, 360	1
25	Z54104	300 Series Hydraulic Motor	2
26	Z56103	Check Valve 1/2FNPT 0.050	1
27	Z56104	Check Valve 1/2FNPT 0.040	1
28	Z56206	Monoblock 7-Section Valve	1



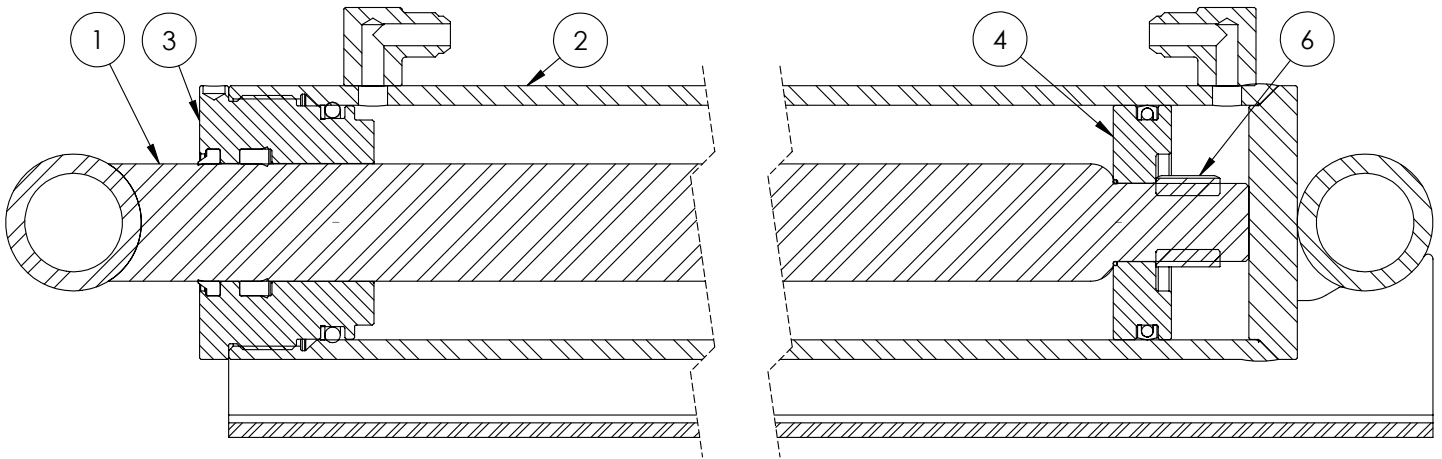
6031C750 DIPPER BOOM CYLINDER

ITEM	PART NO.	Description	QTY.
1	6031C7503	Rod, 1-1/4 x1	1
2	6031C7504	Barrel, 2-1/2" Bore	1
3	G250-125SA	2-1/2" Bore x 1-1/4" Rod Gland	1
4	P100-250SA	2-1/2" Bore Piston	1
5	SLK-2512	Seal Kit, 2-1/2 x 1-1/4	1
6	Z72272G8	Hex Lock Nut 3/4NF Grade 8	1



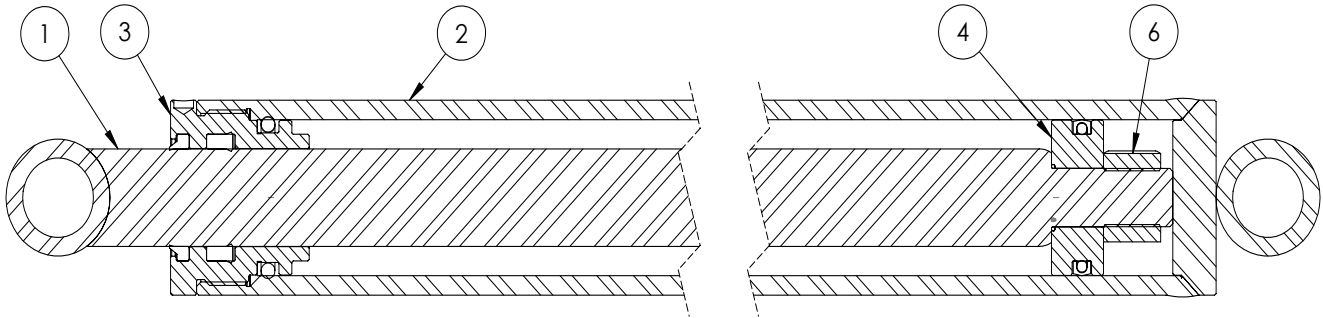
LX100 GRAPPLE CYLINDER PARTS BREAKDOWN

ITEM	6012C205 (LX480)	Description	QTY.
1	6012C2053	Rod	1
2	6012C2054	Barrel, 2" / 2-1/2" Bore	1
3	G250-150S	Rod Gland	1
4	P100-250SP	2" / 2-1/2" Bore Piston	1
5	SLK-2515	Seal Kit	1
6	Z72272G8	Hex Lock Nut 3/4NF Grade 8	1



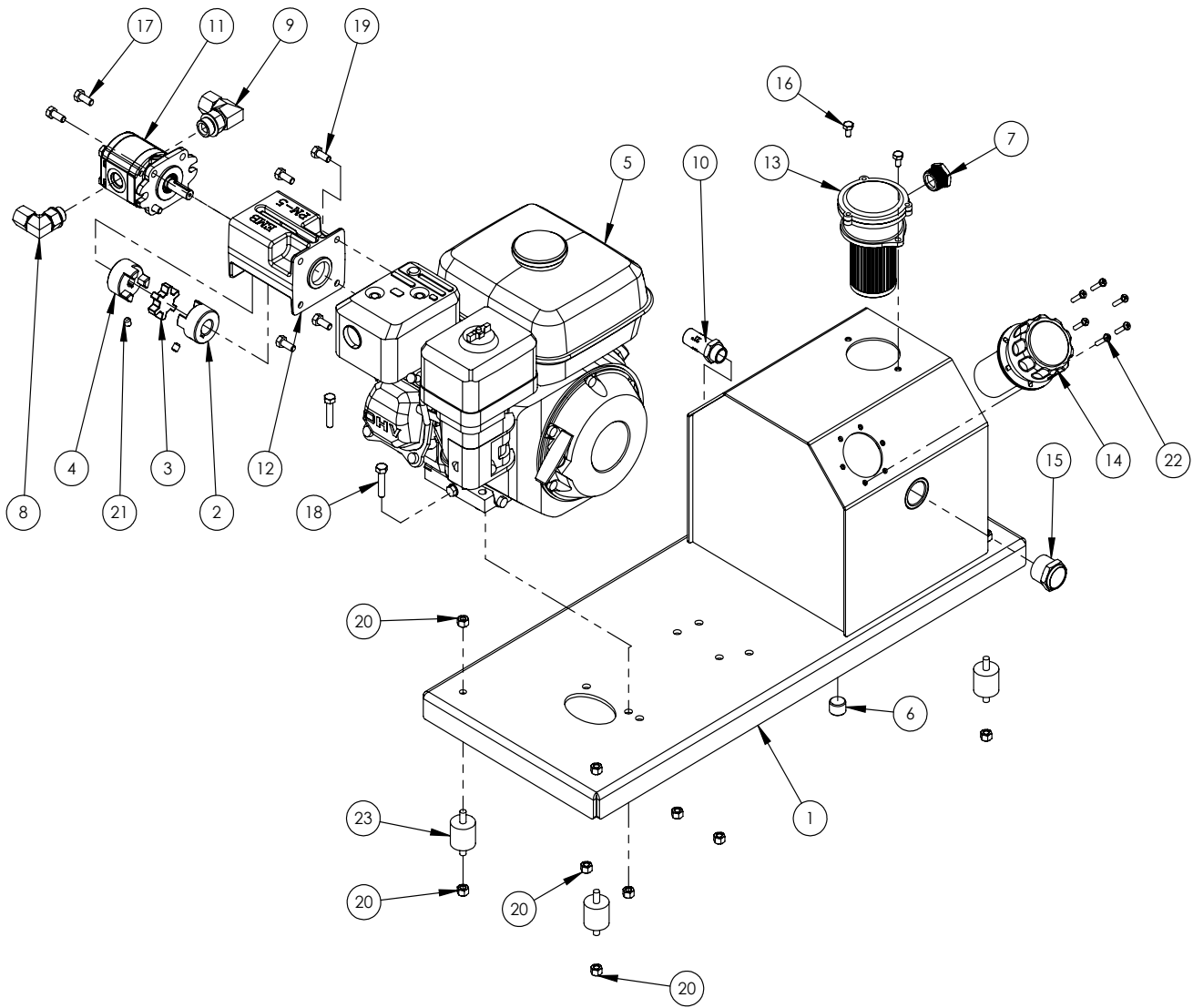
6031C752 MAIN BOOM CYLINDER

ITEM	PART NO.	Description	QTY.
1	6031C7523	Rod, 1-1/2 x 1	1
2	6031C7524	Barrel, 3"	1
3	G300-150SA	3" Bore x 1-1/2" Rod Gland	1
4	P100-300SA	3" Bore Piston	1
5	SLK-3015	Seal Kit, 3 x 1-1/2	1
6	Z72272G8	Hex Lock Nut 3/4NF Grade 8	1



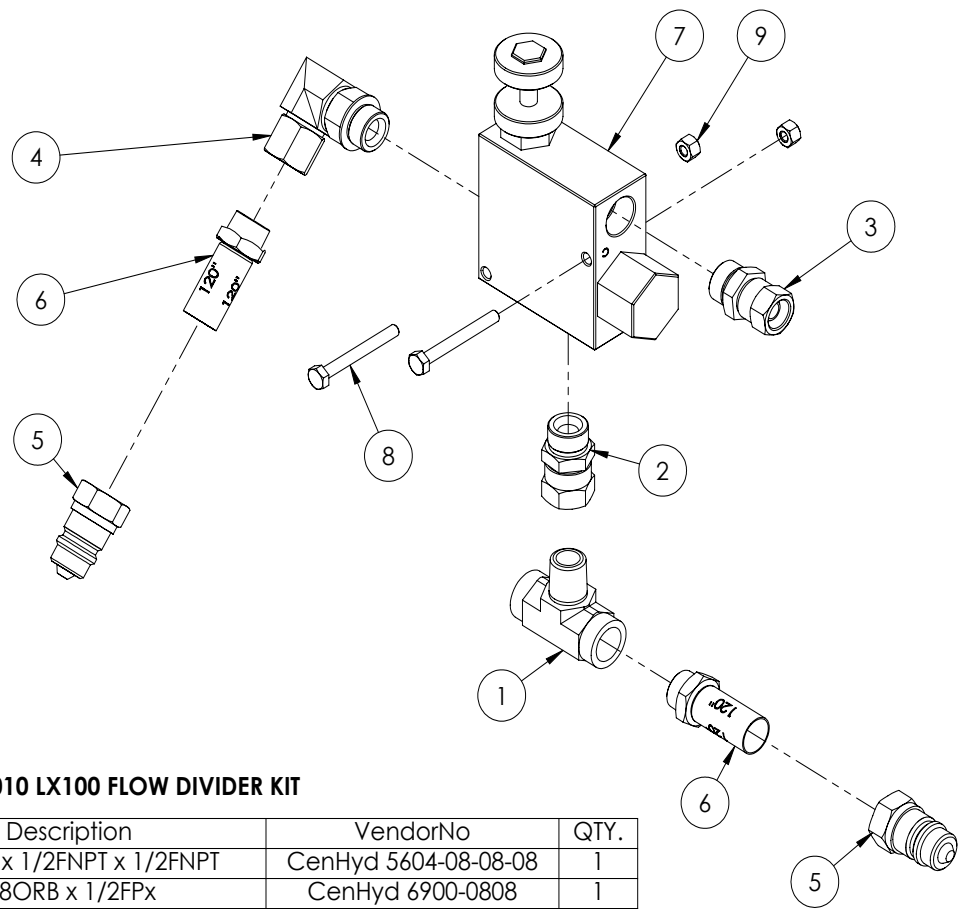
6031C754 STABILIZER CYLINDER

ITEM	PART NO.	Description	QTY.
1	6031C7543	Rod, 1-1/4x3/4	1
2	6031C7544	Barrel, 2" Bore	1
3	G200-125SA	2" Bore x 1-1/4" Rod Gland	1
4	P750-200SA	2" Bore Piston	1
5	SLK-2012	Seal Kit, 2 x 1-1/4	1
6	Z72272G8	Hex Lock Nut 3/4NF Grade 8	1



L501 POWER PACK OPTION

ITEM	PART NO.	DESCRIPTION	QTY
1	6081W302	Tank, Pump Kit	1
2	Z46406	Shaft Coupler L075 x 3/4	1
3	Z46408	Coupler Spider L075	1
4	Z46410	Shaft Coupler L075 x 1/2	1
5	Z47126	Honda GX160 Engine	1
6	Z51192	Socket Plug MP08	1
7	Z51221	Reducer FP x MP 1208	1
8	Z51382	Elbow, #6ORB x 3/8FPx	1
9	Z51383	Elbow 90 ORB x FPX 0808	1
10	Z52305	1/2 Hose, MP08 x MP08 x 21"	1
11	Z53103	Gear Pump, 0.13 CIR	1
12	Z53801	Pump Mounting, PM-5	1
13	Z55201	Tank Mounted Return Filter	1
14	Z55401	Breather Filler Cap	1
15	Z55901	Site Glass 1NPT	1
16	Z71105	Hex Bolt, 1/4NC x 1/2	2
17	Z71207	Hex Bolt, 5/16NC x 3/4	4
18	Z71215	Hex Bolt, 5/16NC x 1-1/2	4
19	Z71273	Hex Bolt, 5/16NF x 3/4	4
20	Z72221	Hex Lock Nut, 5/16NC	12
21	Z74121	Set Screw, 5/16NC	2
22	Z78308	Machine Screw, #10-24NC x 1	6
23	Z79931	Rubber Mount	4

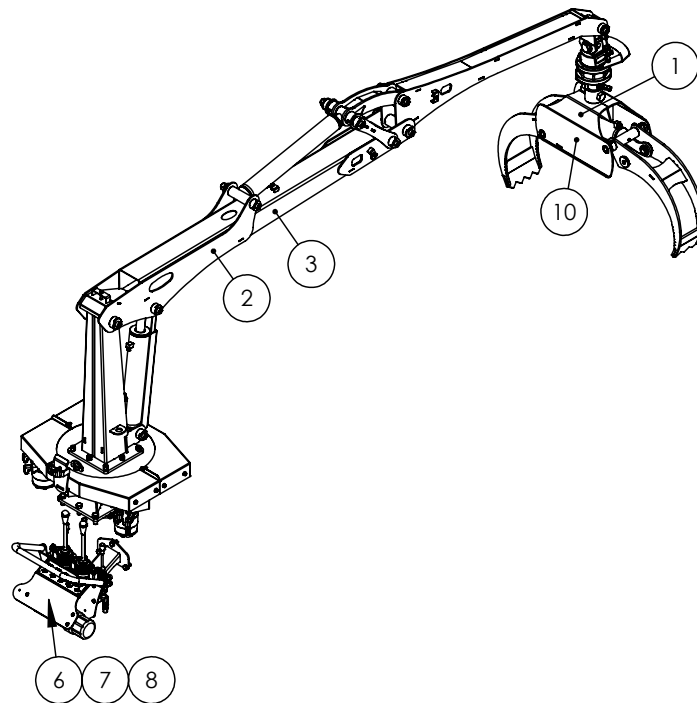
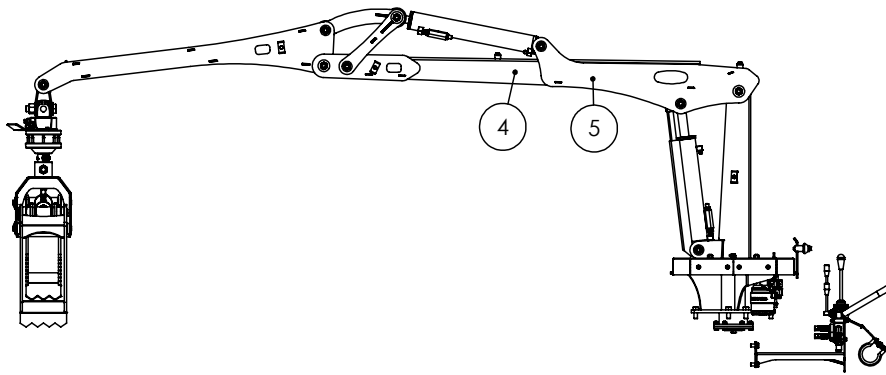
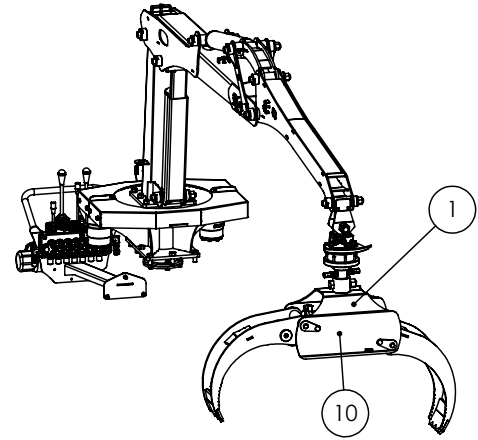


6083A010 LX100 FLOW DIVIDER KIT

ITEM	PART NO.	Description	VendorNo	QTY.
1	Z51161	1/2NPT x 1/2FNPT x 1/2FNPT	CenHyd 5604-08-08-08	1
2	Z51372	#8ORB x 1/2FPx	CenHyd 6900-0808	1
3	Z51373	#8ORB x 3/8FPx	CenHyd 6900-0806	1
4	Z51383	Elbow, #8ORB x 1/2FPx	CenHyd 6901-0808	1
5	Z51903	1/2NPT x Aeroquip 5600	CenHyd M-150A-1/2NPT	2
6	Z52304	1/2 Hose, 1/2NPT x 1/2NPT x 120"		2
7	Z56304	Flow Control	Canimex P0716887	1
8	Z71122	Hex Bolt 1/4NC x 2-1/4		2
9	Z72111	Hex Lock Nut 1/4NC		2

BOOM & LOG GRAPPLE DECAL BREAKDOWN

ITEM	PART NO.	DESCRIPTION	QTY
1	Z94019	Made in Canada	4
2	Z94027	Timber Talon RH	2
3	Z94028	Wallenstein RH	1
4	Z94029	Timber Talon LH	1
5	Z94030	Wallenstein LH	1
6	Z94031	CAUTION - Read Manual	1
7	Z94032	DANGER - Electrocution	1
8	Z94033	DANGER - Boom/ Grapple Hazard	1
9	Z94034	WARNING - Install Pin	2
10	Z94056	Wallenstein	



LX100 Decals

Z94027



Z94029



Z94032



Z94033



Z94056



Z94034



Z94019



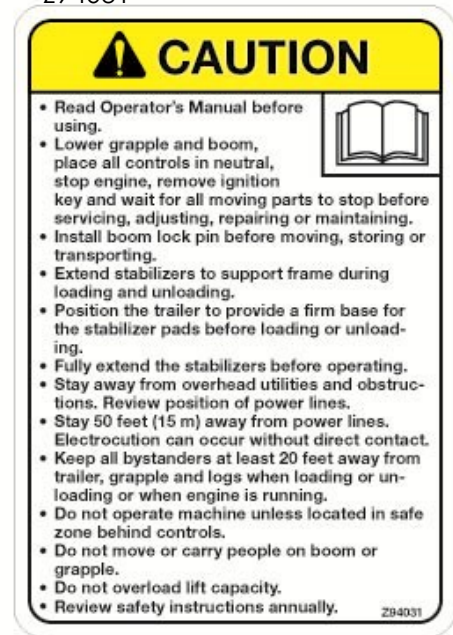
Z94028



Z94030



Z94031





WALLENSTEIN Products Manufactured by:

EMB MFG Inc.

4144 Boomer Line
St. Clements, Ontario
Canada N0B 2M0
Phone: 1-877-695-9283
Fax: 519-699-4146
www.embmfg.com