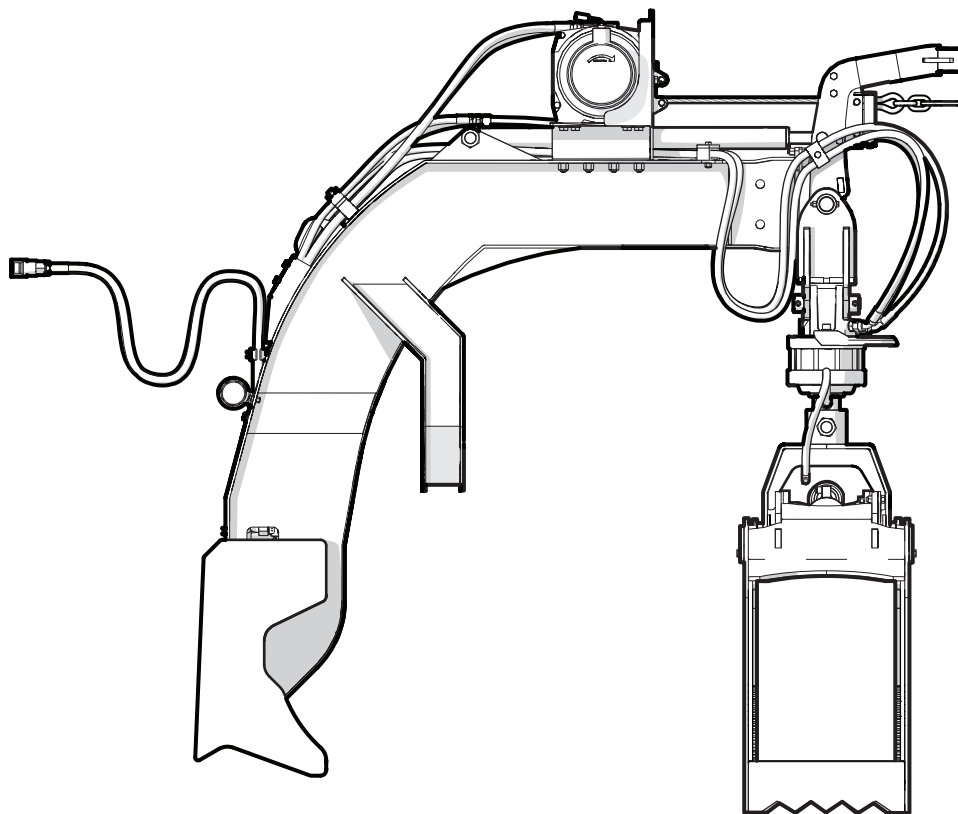


PARTS MANUAL

Serial Number 430RP001 to 430RP023

LXG430RP SKID STEER GRAPPLE



Foreword

This Wallenstein parts manual is prepared to assist customers in ordering quality OEM replacement parts.

Regular maintenance combined with replacing old, worn or broken parts with the correct OEM parts is essential in prolonging the life of your Wallenstein product. Refer to this manual to identify replacement parts.

To order parts, contact your Wallenstein dealer or distributor. Have the product model and serial number handy.

If your dealer is no longer available, please go to our website: <http://wallensteinequipment.com> and click on the [Dealer Locator](#) to find the nearest dealer.

All information contained in this parts manual is current as per the revision date at the bottom of the page. Wallenstein reserves the right to change product specifications at any time without notice.

If your product specifications differ from those contained in this manual, contact Wallenstein for current information.

Reproduction of information in this parts manual is prohibited without prior written permission from Wallenstein Equipment Inc.

Wallenstein Equipment Inc. • © 2021

WARNING!

Refer to the operators manual for safe operation and maintenance.

Maintenance should be performed by trained personnel only.

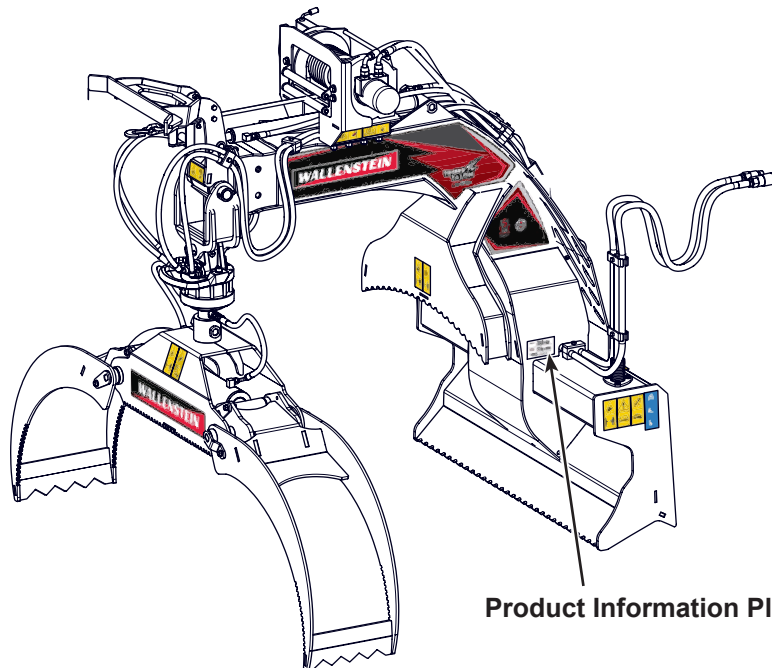
Serial Number Location

Always provide the model and serial number of your Wallenstein product when ordering parts or requesting service or other information. This information is found on the product information plate as shown below.

Record your product information here for future reference.

Model _____

Serial Number _____

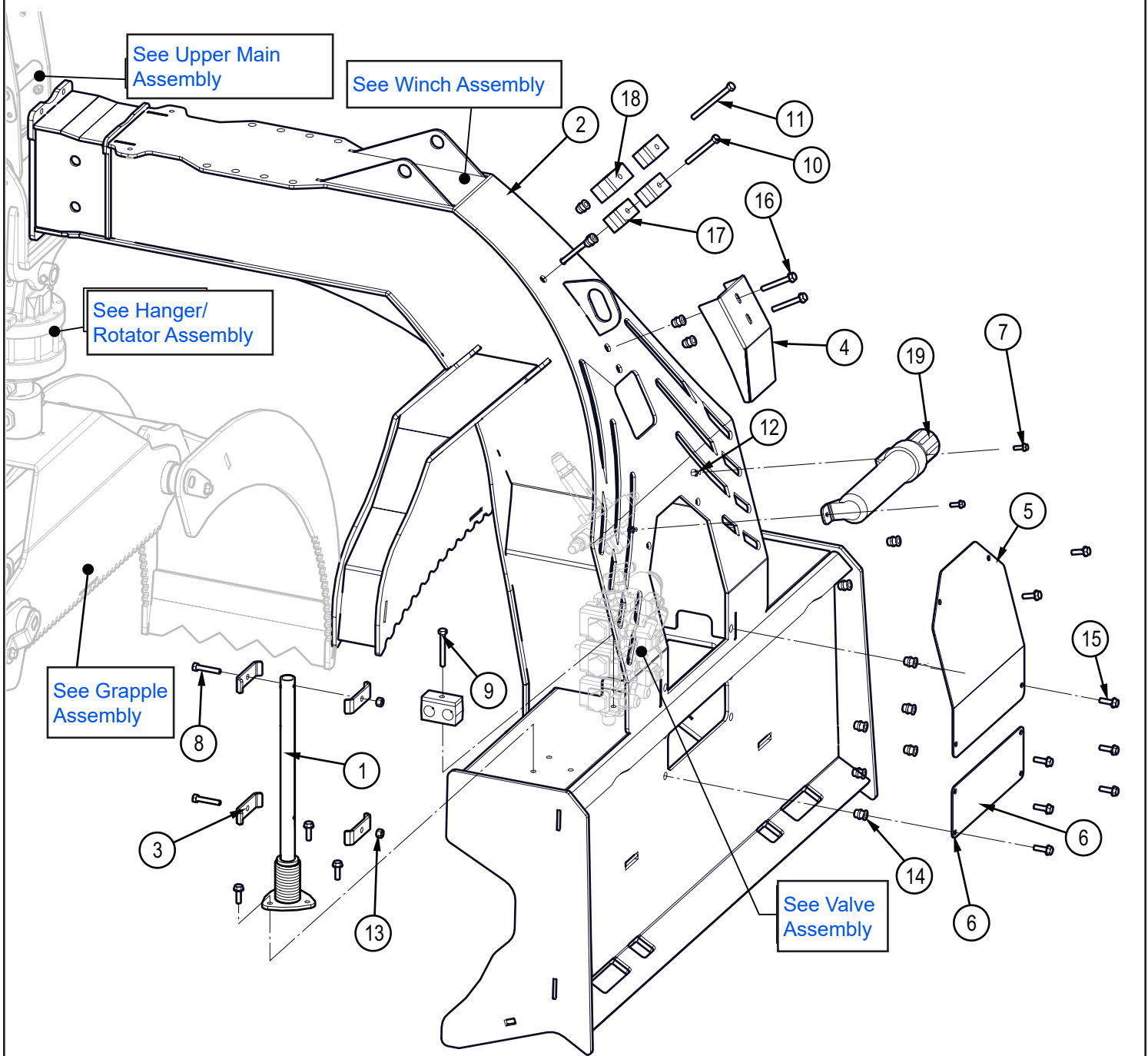


Product Information Plate

Contents

Lower Main Frame Assembly S/N 430RP001 to 430RP011	4A
Lower Main Frame Assembly S/N 430RP012 to 430RP015	4B
Lower Main Frame Assembly S/N 430RP016 & Up	4C
Upper Main Frame Assembly S/N 430RP001 to 430RP015	5-A
Upper Main Frame Assembly S/N 430RP016 & Up	5-B
Hanger Rotator Assembly	6
Grapple Assembly S/N 430RP001 to 430RP015	7-A
Grapple Assembly S/N 430RP016 & Up	7-B
Outer Fork Assembly Detail S/N 430RP001 to 430RP015.....	8-A
Outer Fork Assembly Detail S/N 430RP016 & Up.....	8-B
Spool Valve Assembly	9
Relief Valve Assembly	9
Winch Assembly	10
Fairlead Assembly	11
Extension Arm Cylinder Detail.....	12
Grapple Cylinder Detail	12
Hydraulic Plumbing Diagram.....	13
Hydraulic Hose List	13
Control Box	14
Decal Layout.....	15
Accessories	16
Common Bolt Torque Values	17
Hydraulic Fitting Torque Values	18

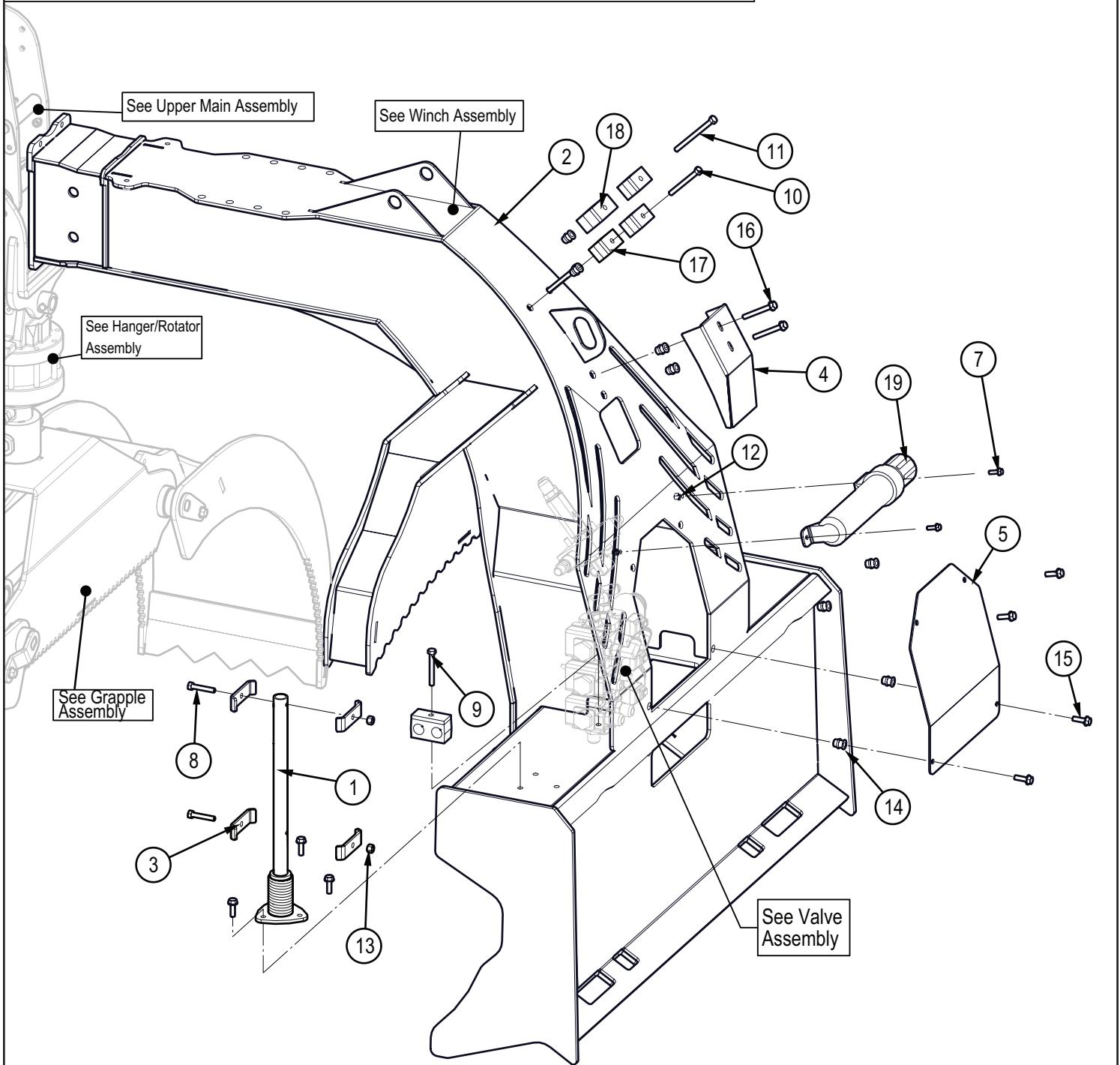
Lower Main Frame Assembly S/N 430RP001 to 430RP011



Item No.	Part No.	Description	Qty
1	6071W102	Hose Mount Whip	1
2	6073W501	Mainframe	1
3	3011L176	Clamp, Two Hose	4
4	6073L514	Box, Hydraulic Hose Cover	1
5	6073L516	Plate, Short Hydraulic Cover	1
6	6073L517	Plate, Lower Hydraulic Cover	1
7	Z76111	Flange Bolt, 1/4NC x 3/4"	2
8	Z71217	Hex Bolt, 5/16NC x 1-3/4"	2
9	Z71225	Hex Bolt, 5/16NC x 2-1/2"	1
10	Z71235	Hex Bolt, 5/16NC x 3 1/2"	1

Item No.	Part No.	Description	Qty
11	Z71240	Hex Bolt, 5/16NC x 4"	1
12	Z72211	Hex Lock Nut, 1/4NC	2
13	Z72221	Hex Lock Nut, 5/16NC	2
14	Z72957	Rivet Nut, 5/16NC x 312	12
15	Z76125	Flange Bolt, 5/16NC x 1"	11
16	Z76126	Flange Bolt, 5/16NC x 2-1/2"	2
17	Z79463	Double Hose Clamp, 11/16" OD	3
18	Z79464	Double Hose Clamp, 13/16" OD	2
19	Z96505	Manual Tube, 2" Short	1

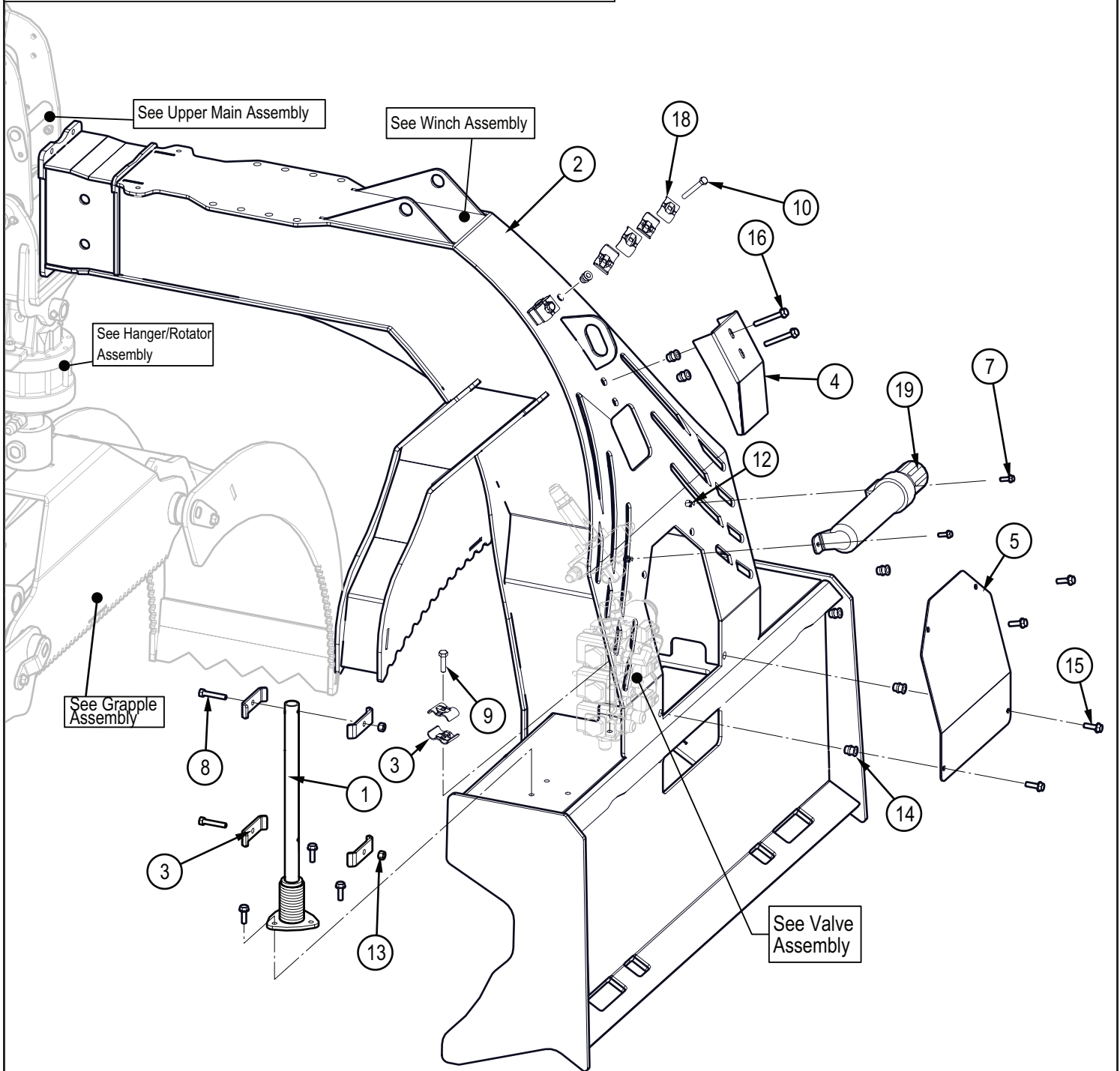
Lower Main Frame Assembly S/N 430RP012 to 430RP015



Item No.	Part No.	Description	Qty
1	6071W102	Hose Mount Whip	1
2	6073W501	Mainframe	1
3	3011L176	Clamp, Two Hose	4
4	6073L514	Box, Hydraulic Hose Cover	1
5	6073L516	Plate, Short Hydraulic Cover	1
7	Z76111	Flange Bolt, 1/4NC x 3/4"	2
8	Z71217	Hex Bolt, 5/16NC x 1-3/4"	2
9	Z71225	Hex Bolt, 5/16NC x 2-1/2"	1
10	Z71235	Hex Bolt, 5/16NC x 3 1/2"	1

Item No.	Part No.	Description	Qty
11	Z71240	Hex Bolt, 5/16NC x 4"	1
12	Z72211	Hex Lock Nut, 1/4NC	2
13	Z72221	Hex Lock Nut, 5/16NC	2
14	Z72957	Rivet Nut, 5/16NC x 312	8
15	Z76125	Flange Bolt, 5/16NC x 1"	7
16	Z76126	Flange Bolt, 5/16NC x 2-1/2"	2
17	Z79463	Double Hose Clamp, 11/16" OD	3
18	Z79464	Double Hose Clamp, 13/16" OD	2
19	Z96505	Manual Tube, 2" Short	1

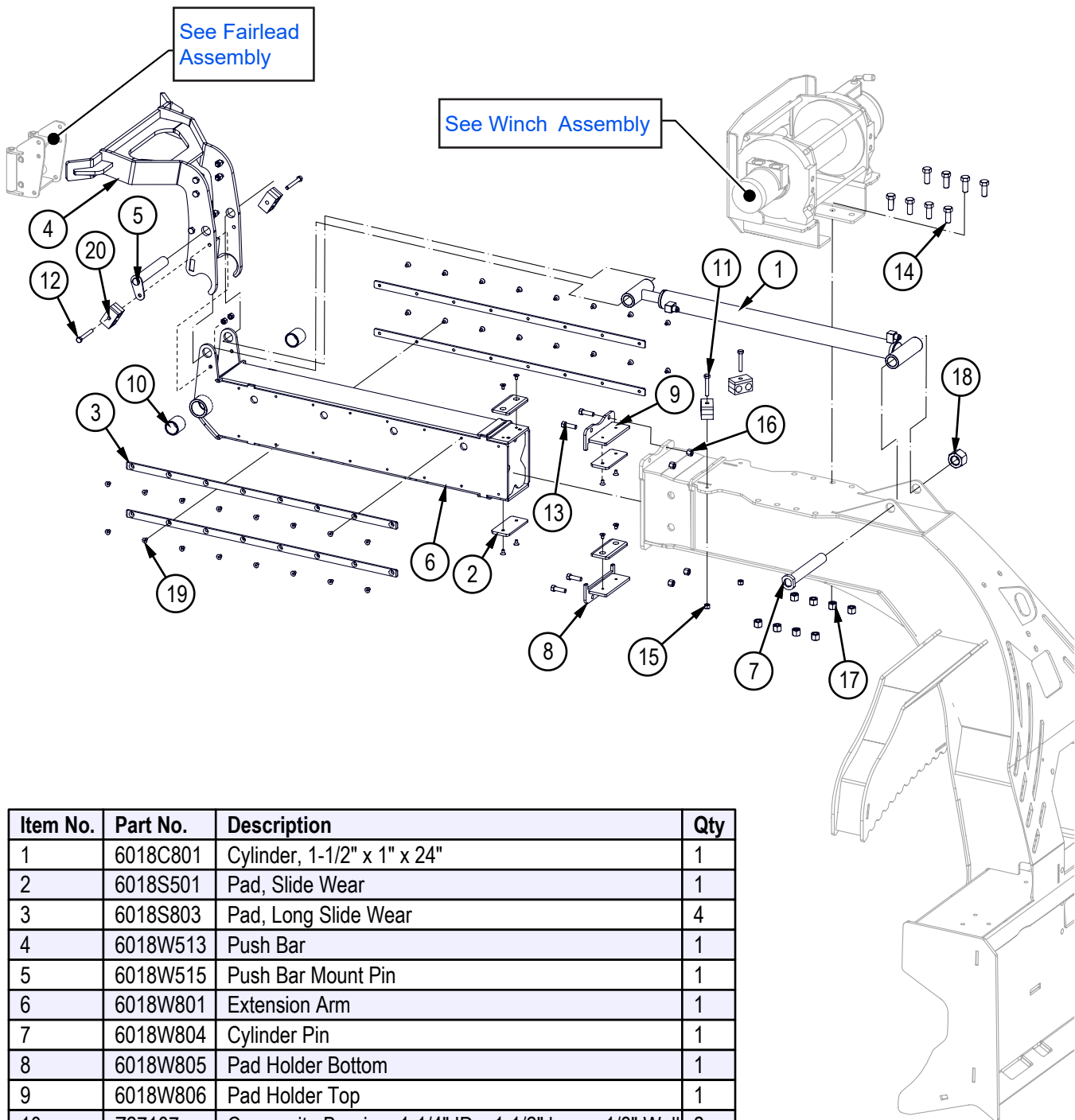
Lower Main Frame Assembly S/N 430RP016 & Up



Item No.	Part No.	Description	Qty
1	6071W102	Hose Mount Whip	1
2	6073W501	Mainframe	1
3	2054L412	Hose Clamp, 2 x 1/2"	2
4	6073L514	Box, Hydraulic Hose Cover	1
5	6073L516	Plate, Short Hydraulic Cover	1
7	Z76111	Flange Bolt, 1/4NC x 3/4"	2
8	Z71217	Hex Bolt, 5/16NC x 1-3/4"	2
9	Z71217	Hex Bolt, 5/16NC x 1-3/4"	1
10	Z71227	Hex Bolt, 5/16NC x 2-3/4"	1

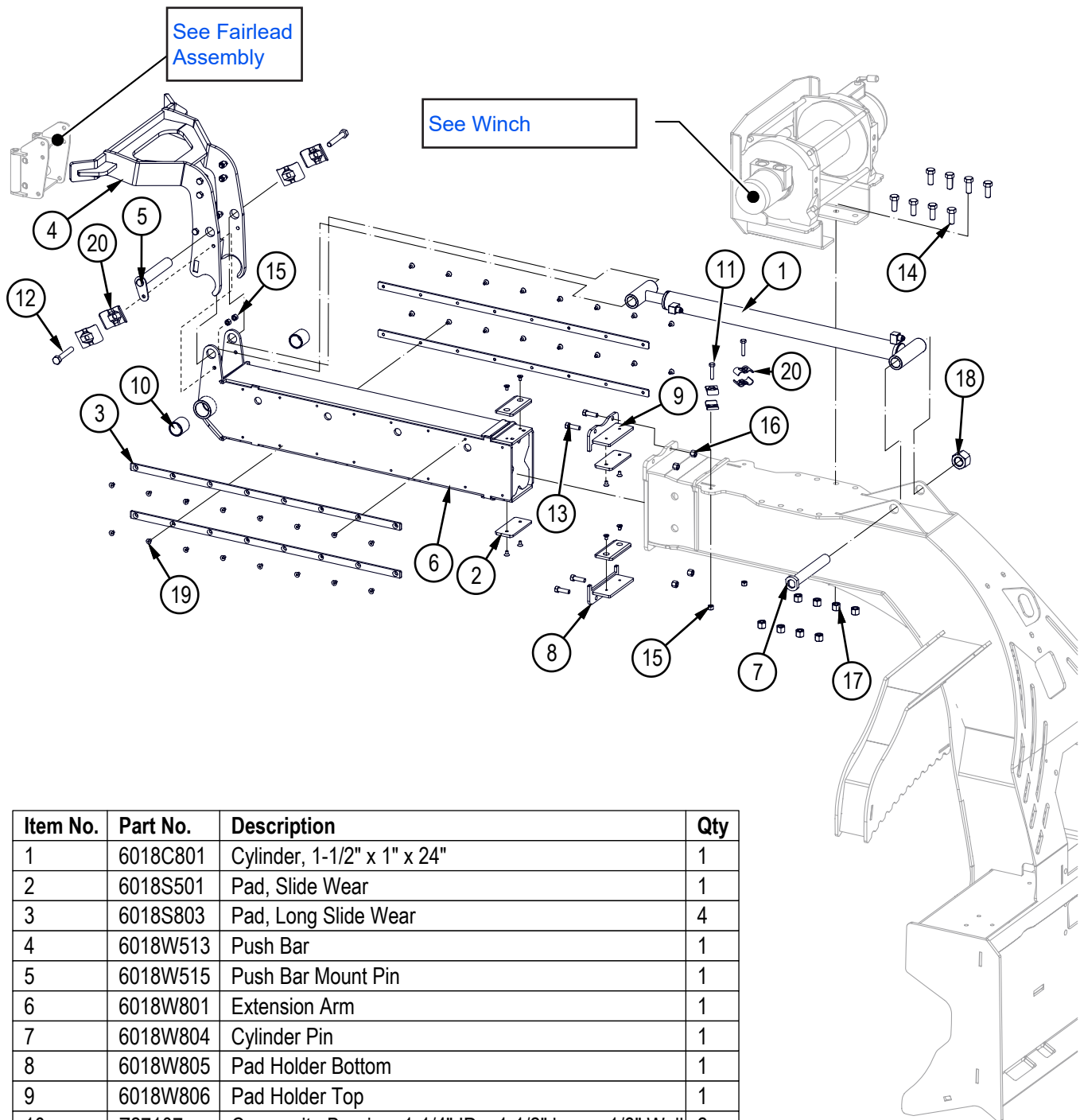
Item No.	Part No.	Description	Qty
12	Z72211	Hex Lock Nut, 1/4NC	2
13	Z72221	Hex Lock Nut, 5/16NC	2
14	Z72957	Rivet Nut, 5/16NC x 312	8
15	Z76125	Flange Bolt, 5/16NC x 1"	7
16	Z76126	Flange Bolt, 5/16NC x 2-1/2"	2
18	2054L412	Hose Clamp, 2 x 1/2"	8
19	Z96505	Manual Tube, 2" Short	1

Upper Main Frame Assembly S/N 430RP001 to 430RP015



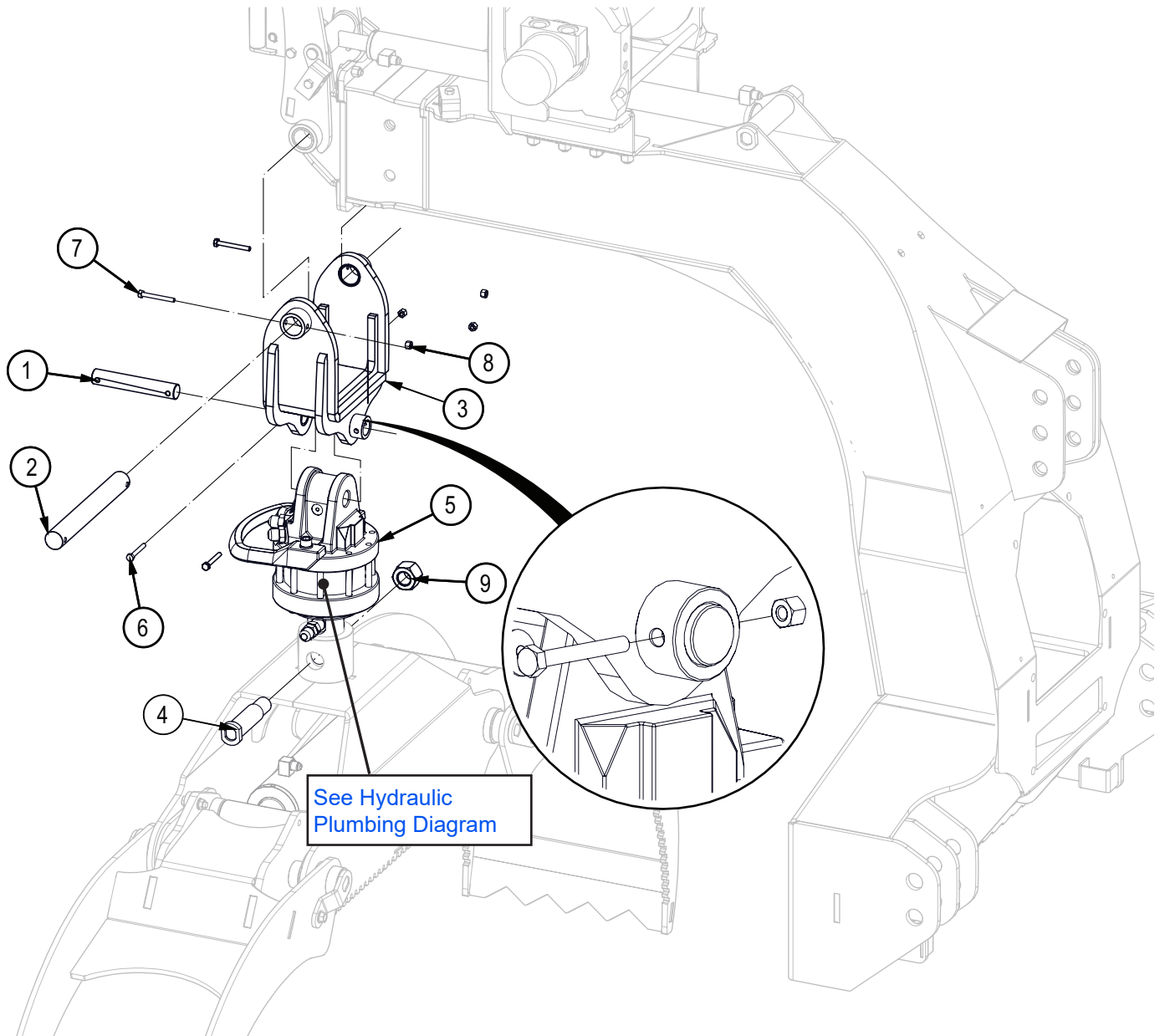
Item No.	Part No.	Description	Qty
1	6018C801	Cylinder, 1-1/2" x 1" x 24"	1
2	6018S501	Pad, Slide Wear	1
3	6018S803	Pad, Long Slide Wear	4
4	6018W513	Push Bar	1
5	6018W515	Push Bar Mount Pin	1
6	6018W801	Extension Arm	1
7	6018W804	Cylinder Pin	1
8	6018W805	Pad Holder Bottom	1
9	6018W806	Pad Holder Top	1
10	Z27107	Composite Bearing, 1-1/4" ID x 1-1/2" long x 1/8" Wall	2
11	Z71220	Hex Bolt, 5/16NC x 2"	2
12	Z71225	Hex Bolt, 5/16NC x 2-1/2"	2
13	Z71312	Hex Bolt, 3/8NC x 1-1/4"	4
14	Z71512	Hex Bolt, 1/2NC x 1-1/4"	8
15	Z72221	Hex Lock Nut, 5/16NC	4
16	Z72231	Hex Lock Nut, 3/8NC	4
17	Z72251	Hex Lock Nut, 1/2NC	8
18	Z72291	Hex Lock Nut, 1NC	1
19	Z75212	FHCS, 1/4NC x 7/16"	40
20	Z79463	Double Hose Clamp, 1 1/16" OD	4

Upper Main Frame Assembly S/N 430RP016 & Up



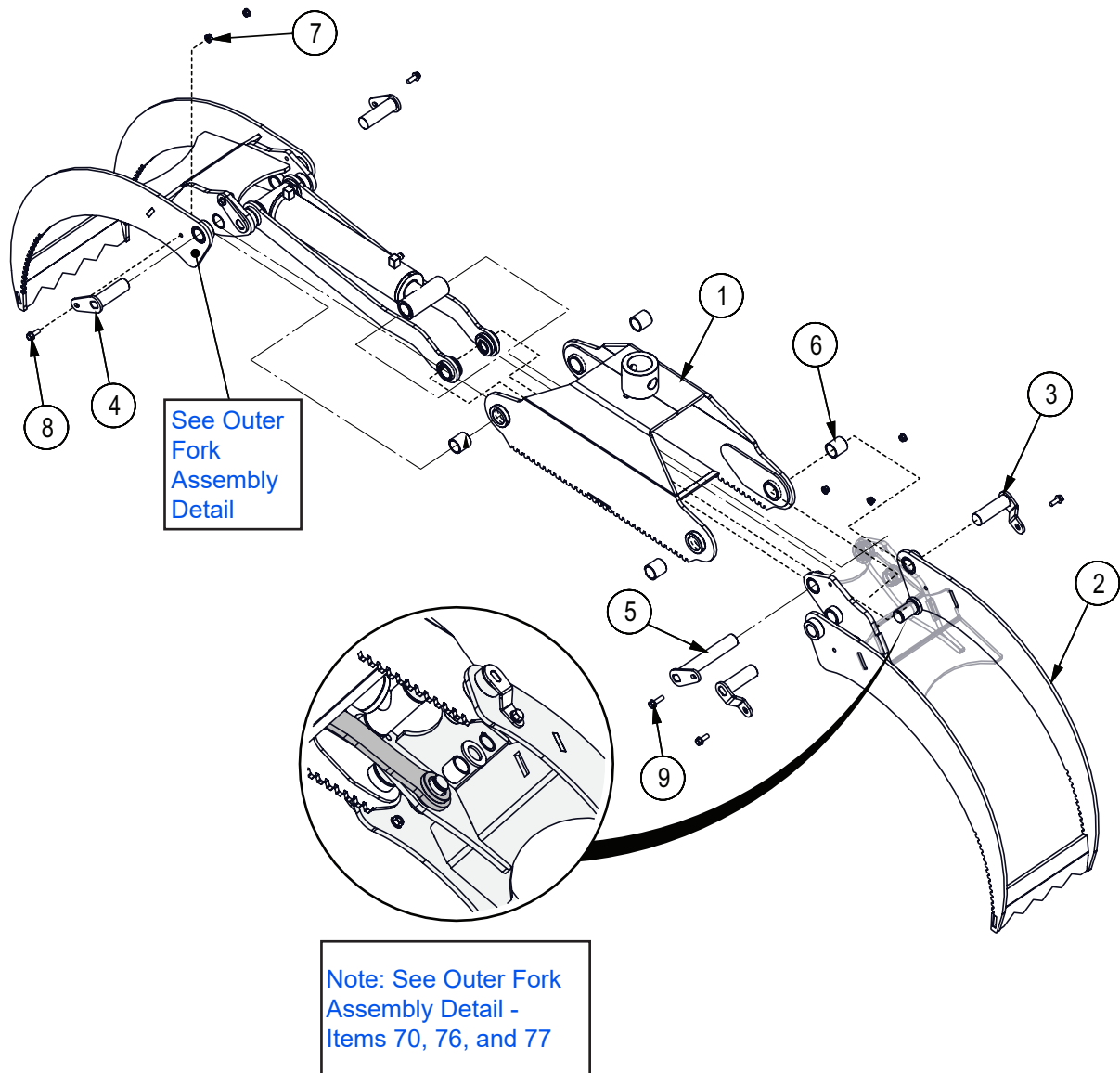
Item No.	Part No.	Description	Qty
1	6018C801	Cylinder, 1-1/2" x 1" x 24"	1
2	6018S501	Pad, Slide Wear	1
3	6018S803	Pad, Long Slide Wear	4
4	6018W513	Push Bar	1
5	6018W515	Push Bar Mount Pin	1
6	6018W801	Extension Arm	1
7	6018W804	Cylinder Pin	1
8	6018W805	Pad Holder Bottom	1
9	6018W806	Pad Holder Top	1
10	Z27107	Composite Bearing, 1-1/4" ID x 1-1/2" long x 1/8" Wall	2
11	Z71215	Hex Bolt, 5/16NC x 1-1/2"	2
12	Z71220	Hex Bolt, 5/16NC x 2"	2
13	Z71312	Hex Bolt, 3/8NC x 1-1/4"	4
14	Z76153	Flange Bolt, 1/2NC x 1"	8
15	Z72221	Hex Lock Nut, 5/16NC	4
16	Z72231	Hex Lock Nut, 3/8NC	4
17	Z72551	Serrated Flange Locknut, 1/2NC	8
18	Z72291	Hex Lock Nut, 1NC	1
19	Z75212	FHCS, 1/4NC x 7/16"	40
20	2250L286	Hose Clamp, 2 x 3/8"	4

Hanger Rotator Assembly



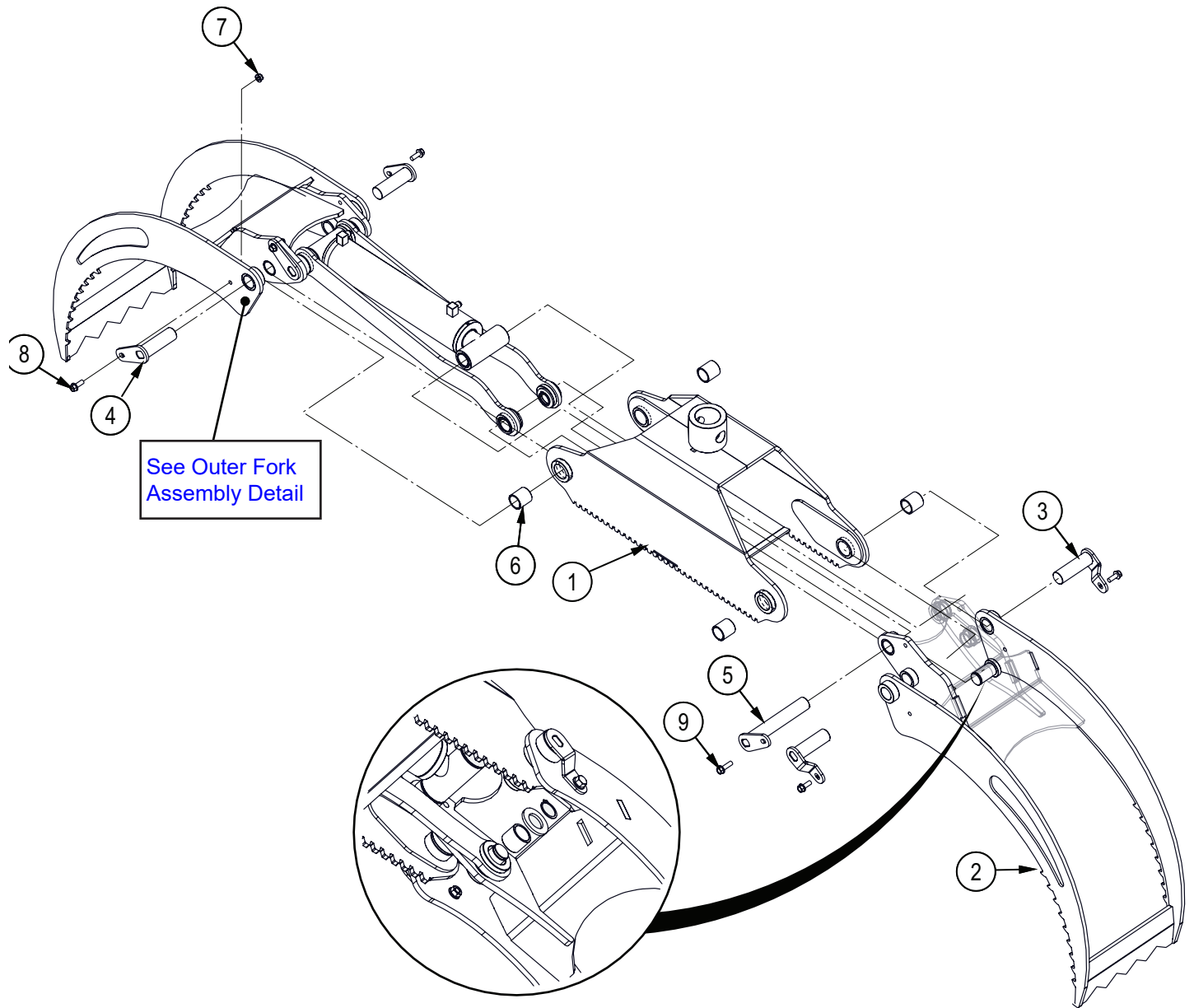
Item No.	Part No.	Description	Qty
1	6018M514	Pin, Rotator Swing	1
2	6018M515	Pin, Rotator Mount	1
3	6018W507	Hanger	1
4	6018W514	Clamp Mount Pin	1
5	Z54110	Hydraulic Rotator, CR400W	1
6	Z71120	Hex Bolt, 1/4NC x 2"	2
7	Z71122	Hex Bolt, 1/4NC x 2-1/4"	2
8	Z72211	Hex Lock Nut, 1/4NC	4
9	Z72291	Hex Lock Nut, 1NC	1

Grapple Assembly S/N 430RP001 to 430RP015



Item No.	Part No.	Description	Qty
1	6018W501	Grapple Housing	1
2	6018W502	Inner Fork	1
3	6018W508	Inner Fork Pin	2
4	6018W509	Outer Fork Pin	2
5	6018W510	Short Cylinder Pin	1
6	Z27107	Composite Bearing, 1-1/4" ID x 1-1/2" long x 1/8" Wall	4
7	Z72531	Serrated Flange Locknut, 3/8NC	5
8	Z76134	Flange Bolt, 3/8NC x 1"	4
9	Z76137	Flange Bolt, 3/8NC x 1-1/4"	1

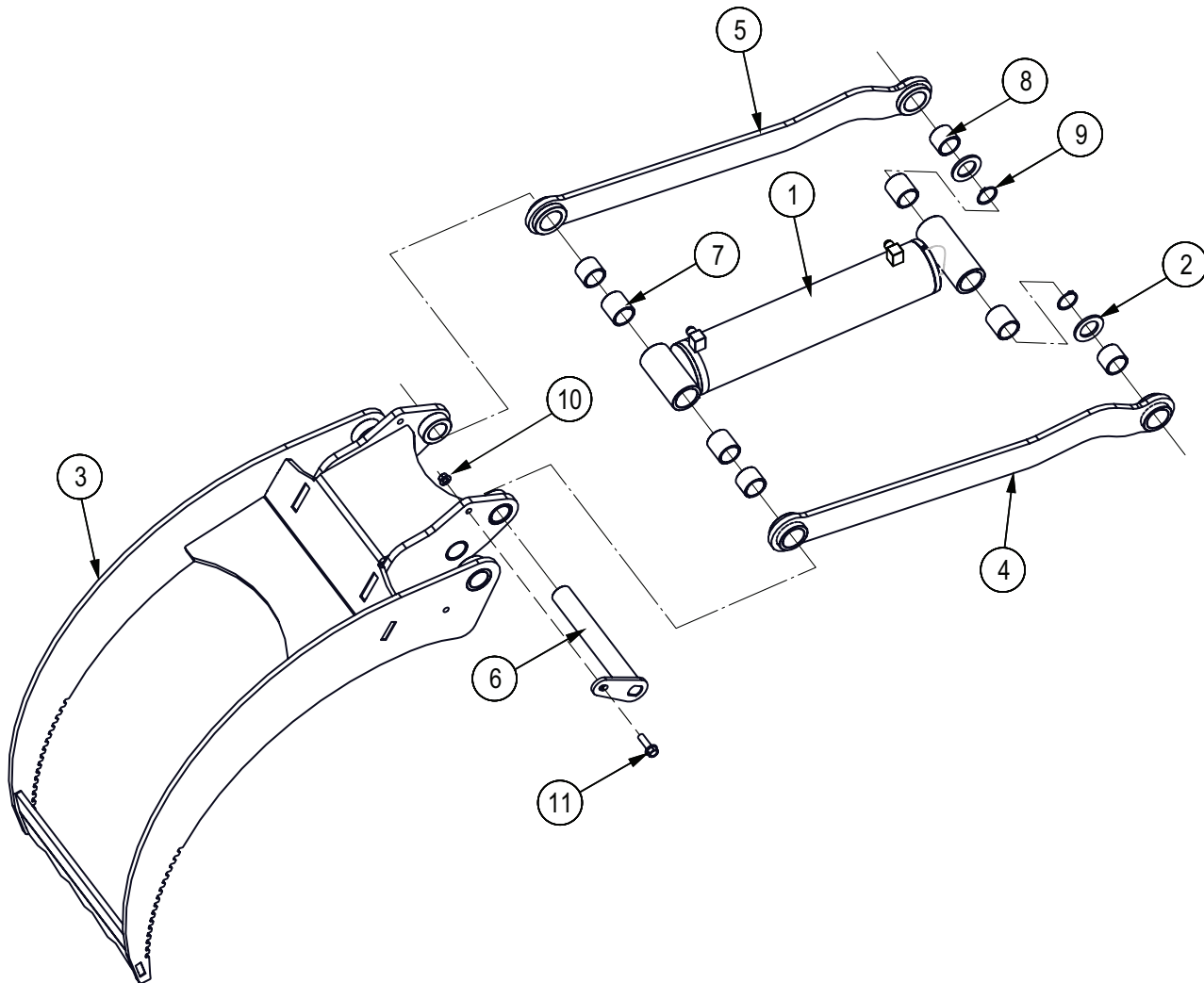
Grapple Assembly S/N 430RP016 & Up



Note: See Outer Fork Assembly Detail - Items 2, 8, and 9

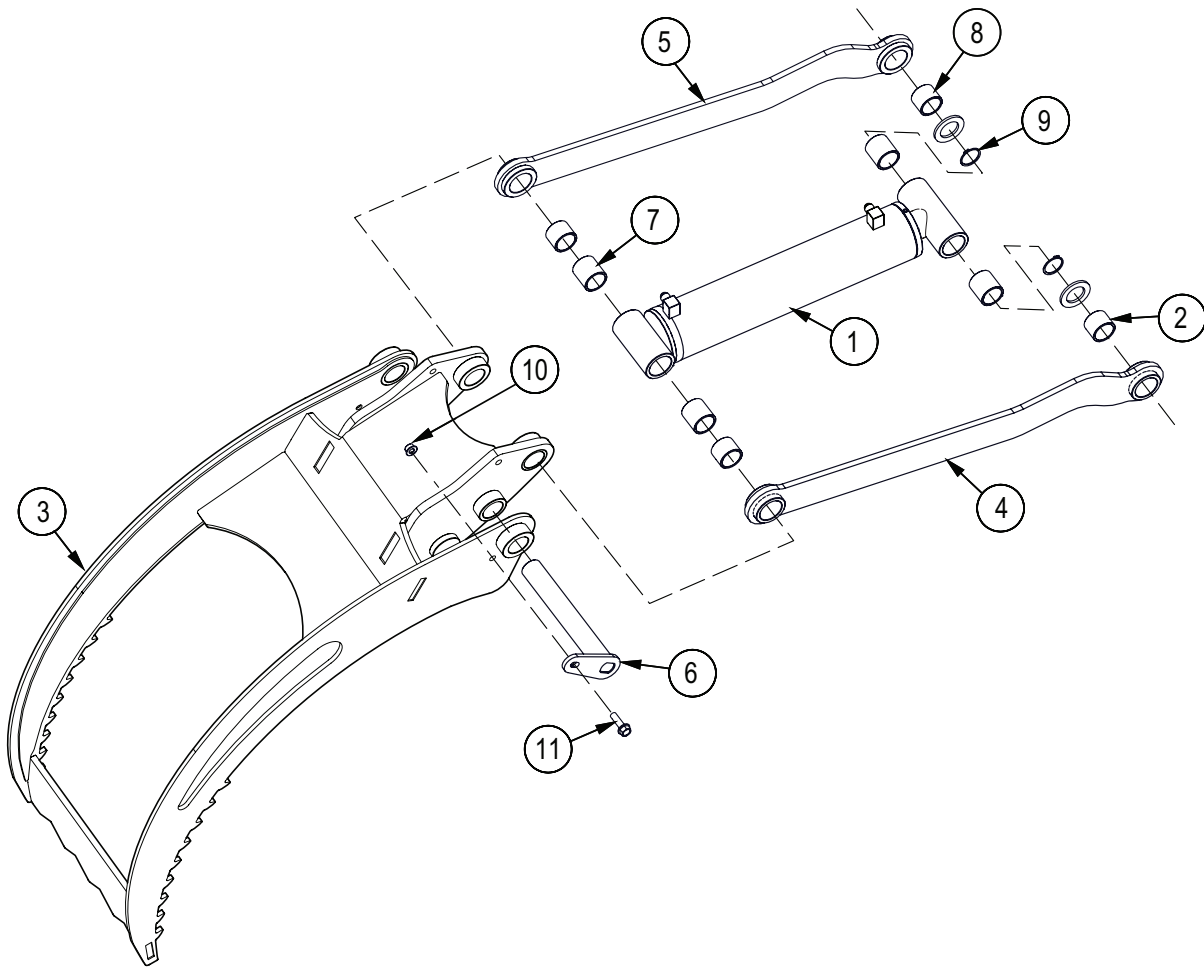
Item No.	Part No.	Description	Qty
1	6018W501	Grapple Housing	1
2	6018W517	Inner Fork	1
3	6018W508	Inner Fork Pin	2
4	6018W509	Outer Fork Pin	2
5	6018W510	Short Cylinder Pin	1
6	Z27107	Composite Bearing, 1-1/4" ID x 1-1/2" long x 1/8" Wall	4
7	Z72531	Serrated Flange Locknut, 3/8NC	5
8	Z76134	Flange Bolt, 3/8NC x 1"	4
9	Z76137	Flange Bolt, 3/8NC x 1-1/4"	1

Outer Fork Assembly Detail S/N 430RP001 to 430RP015



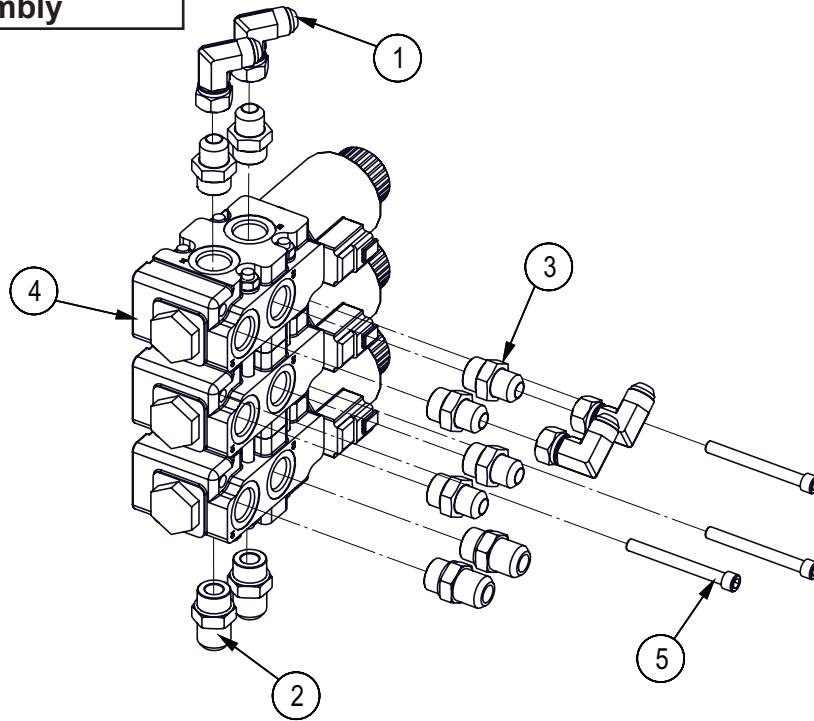
Item No.	Part No.	Description	Qty
1	6018C501	Cylinder, 3" x 1-3/4" x 12-5/8"	1
2	6018L526	Washer, Linkage Retaining	2
3	6018W503	Outer Fork	1
4	6018W504	Linkage	1
5	6018W504H	Linkage Mirror	1
6	6018W511	Long Cylinder Pin	1
7	Z27107	Composite Bearing, 1-1/4" ID x 1-1/2" long x 1/8" Wall	4
8	Z27108	Composite Bearing, 1-1/4" ID x 1-1/8" long x 1/8" Wall	4
9	Z46202	External Retaining Ring, 1-1/4"	2
10	Z72531	Serrated Flange Locknut, 3/8NC	1
11	Z76137	Flange Bolt, 3/8NC x 1-1/4"	1

Outer Fork Assembly Detail S/N 430RP016 & Up



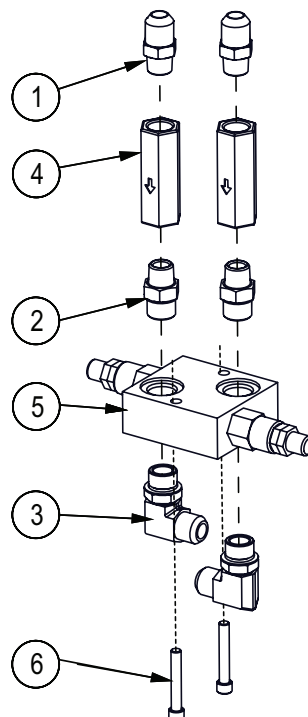
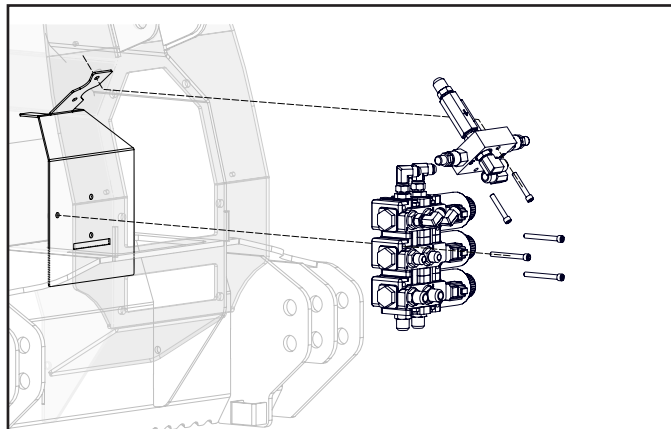
Item No.	Part No.	Description	Qty
1	6018C501	Cylinder, 3" x 1-3/4" x 12-5/8"	1
2	6018L526	Washer, Linkage Retaining	2
3	6018W518	Outer Fork	1
4	6018W504	Linkage	1
5	6018W504H	Linkage Mirror	1
6	6018W511	Long Cylinder Pin	1
7	Z27107	Composite Bearing, 1-1/4" ID x 1-1/2" long x 1/8" Wall	4
8	Z27108	Composite Bearing, 1-1/4" ID x 1-1/8" long x 1/8" Wall	4
9	Z46202	External Retaining Ring, 1-1/4"	2
10	Z72531	Serrated Flange Locknut, 3/8NC	1
11	Z76137	Flange Bolt, 3/8NC x 1-1/4"	1

Spool Valve Assembly



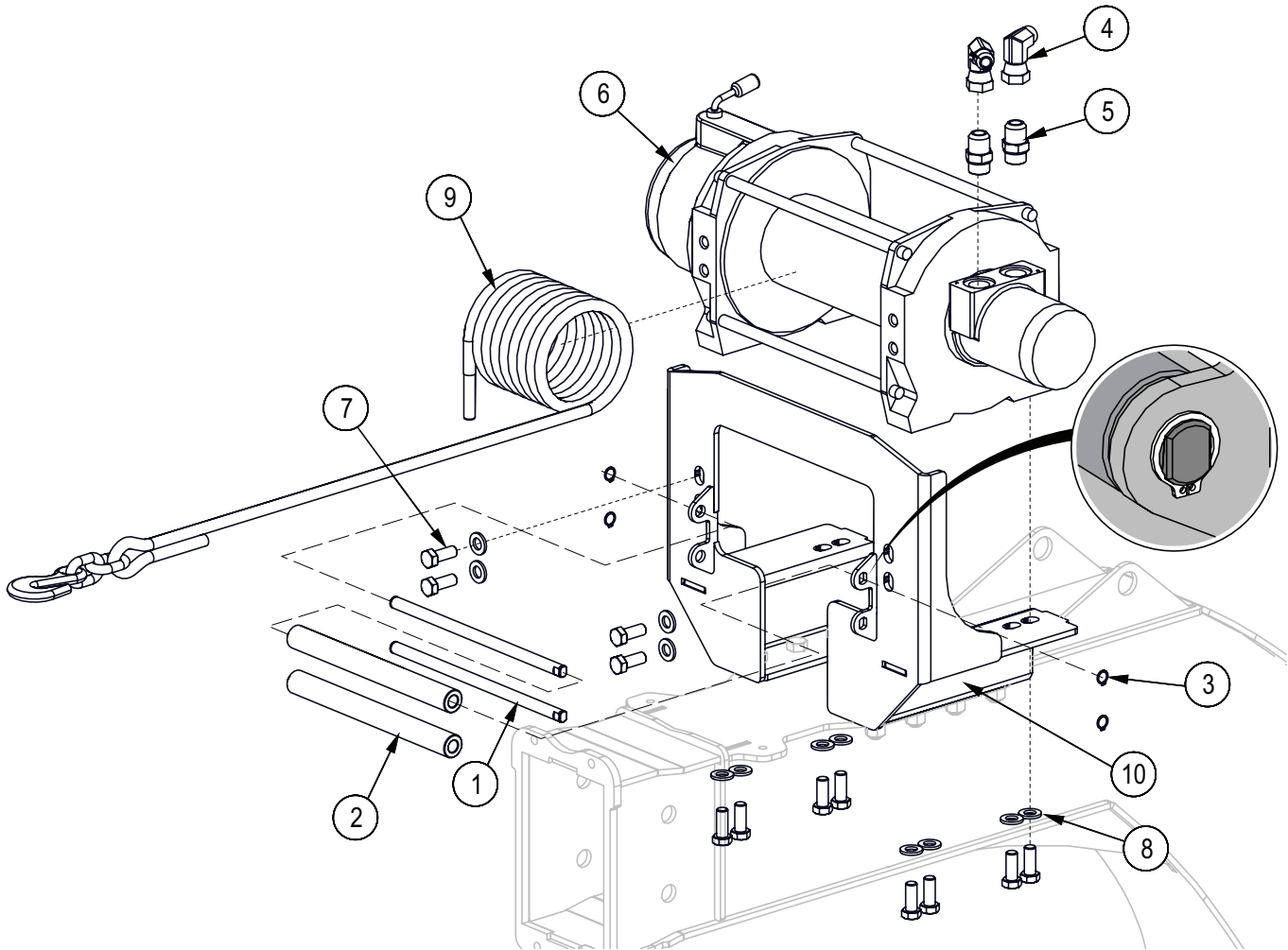
Item No.	Part No.	Description	Qty
1	Z51562	Elbow 90, MJIC x FJICX 0808	4
2	Z516413	Straight, MJIC x MORB 1010	4
3	Z51647	Straight, MJIC x MORB 0810	6
4	Z56616	Triple Spool Valve Assembly	1
5	Z75122	SHCS, 5/16NC x 3"	3

Relief Valve Assembly



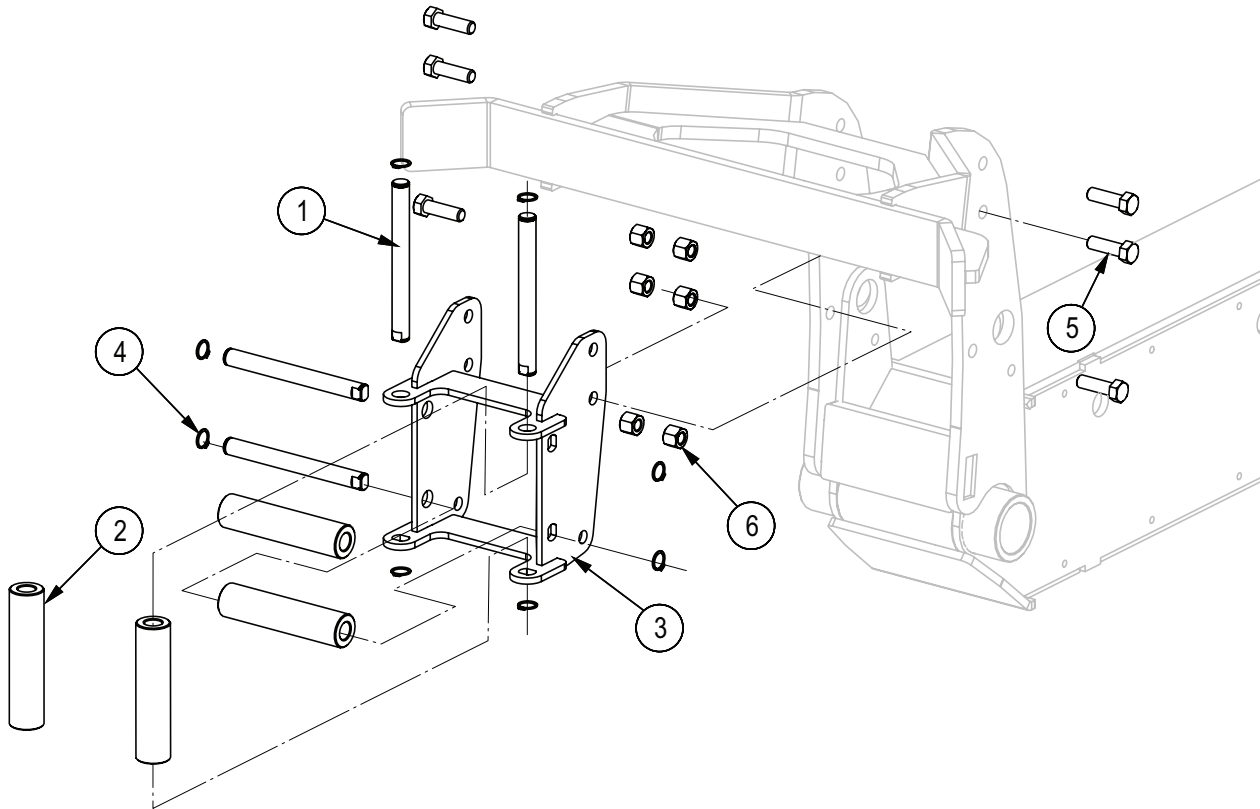
Item No.	Part No.	Description	Qty
1	Z51449	Straight, MJIC x MP 1008	2
2	Z51611	Straight, MORB x MP 1008	2
3	Z516502	Elbow 90, MJIC x MORB 1010	2
4	Z56107	Check Valve, FP08 x 0.110"	2
5	Z56407	Crossover Relief Valve x 2200PSI	1
6	Z75123	SHCS, 5/16NC x 2"	2

Winch Assembly



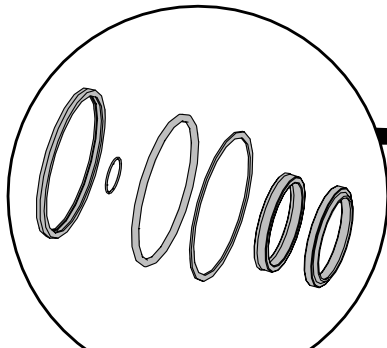
Item No.	Part No.	Description	Qty
1	6018M801	Pin, Long Fairlead	2
2	6018S801	Fairlead, Long	2
3	Z46201	External Retaining Ring, 1/2"	4
4	Z51564	Elbow 90, MJIC x FJICX 0810	2
5	Z516413	Straight, MJIC x MORB 1010	2
6	Z54111	Hydraulic Winch, 9-A-48	1
7	Z77171	Hex Bolt, M12x1.75 x 30mm	12
8	Z77372	DIN 125 Washer, M12	12
9	Z92128	Synthetic Mainline, 1/2" x 100ft x Hook Chain End	1
10	6018W802	Winch Cradle	1

Fairlead Assembly

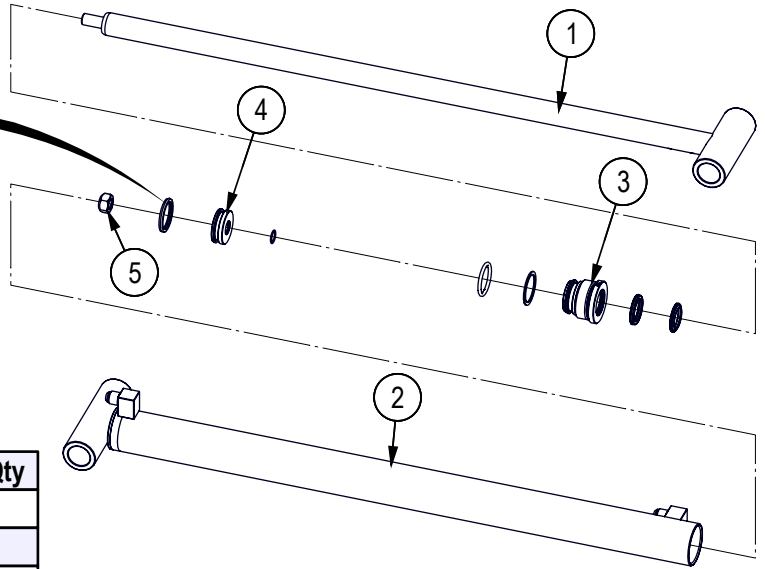


Item No.	Part No.	Description	Qty
1	6018M803	Pin, Short Fairlead	4
2	6018S802	Fairlead, Short	4
3	6018W803	Fairlead	1
4	Z46201	External Retaining Ring, 1/2"	8
5	Z71312	Hex Bolt, 3/8NC x 1-1/4"	6
6	Z72231	Hex Lock Nut, 3/8NC	6

Extension Arm Cylinder Detail

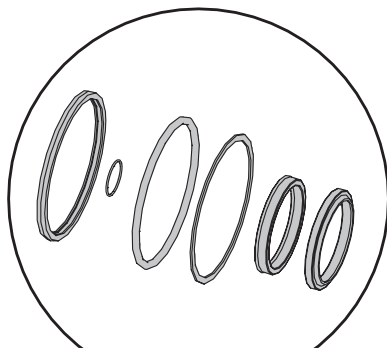


Seal Kit #SLK-1510AN

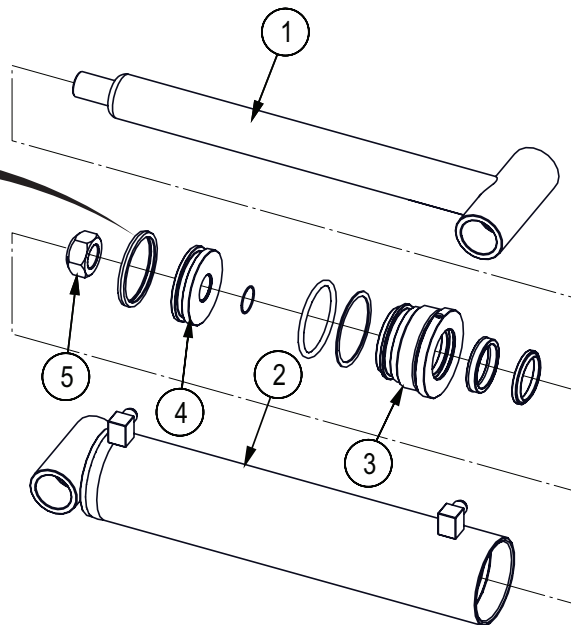


Item No.	Part No.	Description	Qty
1	6018C8013	Rod, 1-1/4" x 3/4NF	1
2	6018C8014	Barrel, 1-1/2"	1
3	G150-100S	Gland, 1-1/2" x 1"	1
4	P500-150SP	Piston, 1-1/2" Bore	1
5	Z72255G8	Hex Top-lock Nut, 1/2NC G8	1

Grapple Cylinder Detail

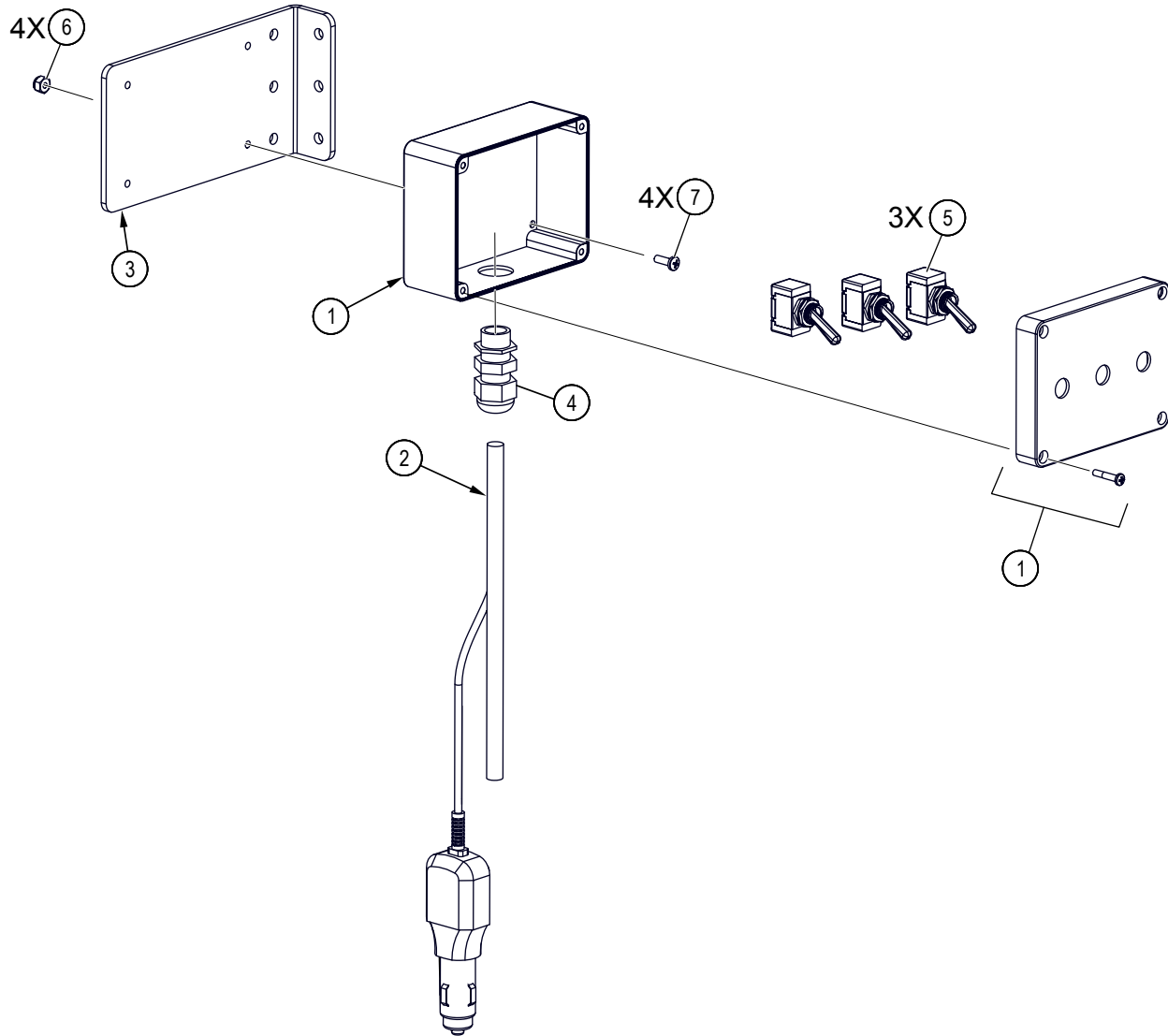


Seal Kit #SLK-3017



Item No.	Part No.	Description	Qty
1	6018C5013	Rod, 1-3/4" 1"	1
2	6018C5014	Barrel, 3"	1
3	G300-175S	Gland, 3" x 1-3/4"	1
4	P100-300SP	Piston, 3" Bore	1
5	Z722909G8	Hex Top-lock Nut, 1-14NF G8	1

Control Box

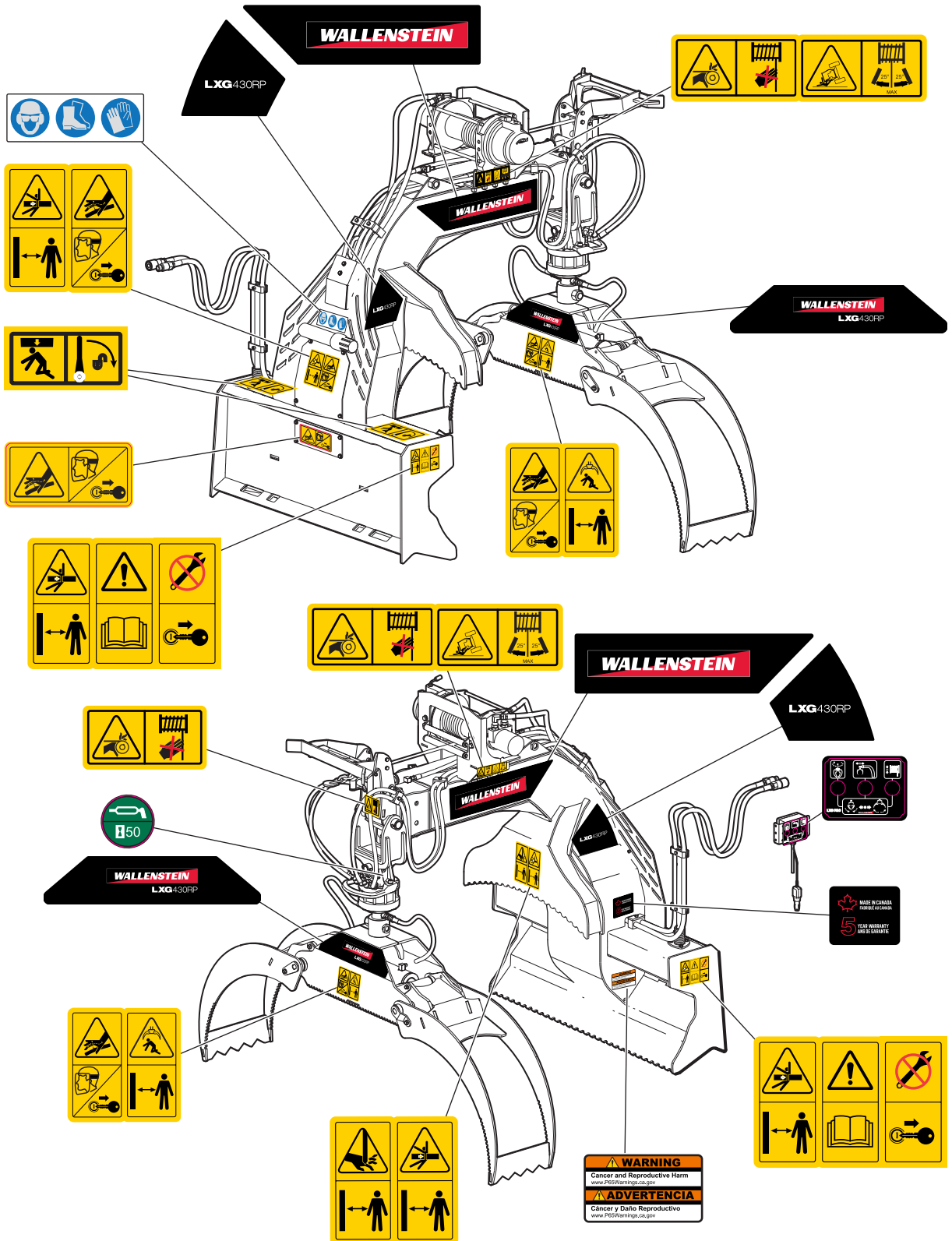


Item No.	Part No.	Description	Qty
1	Z62215	Junction Box	1
2	6018F801	Wire Harness, 3-Spool Deutsch Connector	1
3	6018L810	Switch Box Mount	1
4	Z62820	Straight Fitting, 3/8" Wire	1
5	Z66108	Toggle Switch, Two Position	3
6	Z72202	Hex Lock Nut, #8NC	4
7	Z78309	Machine Screw, #8NC x 1/2"	4

Decal Layout

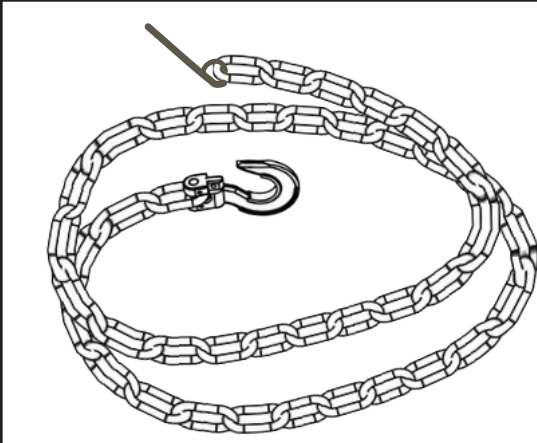
IMPORTANT! If parts are replaced that have safety signs on them, new signs must be applied. Safety signs must always be replaced if they become damaged, are removed, or become illegible.

Safety signs are included in the product decal kit available from your authorized dealer. Decals are not available separately.



Accessories

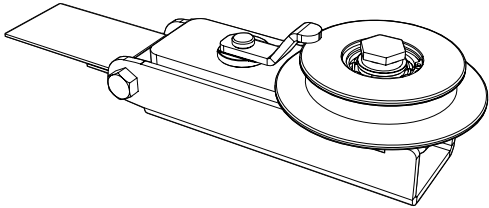
For replacement parts or accessories, call your dealer for pricing and availability.



Choker Chain 5/16" X 7.5 ft – P/N Z92318
Synthetic Choker, 7/16" X 7 ft – P/N Z92126
Synthetic Choker, 3/8" X 5 ft – P/N Z92125

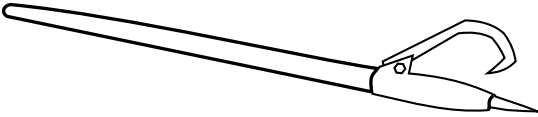
Eases winching activities by providing a secure support when winching and skidding.

Synthetic rope chokers (braided UHMW) is a high strength polyethylene, lighter and easier to use than chain.



Self-Releasing Snatch Block
P/N 5089A100

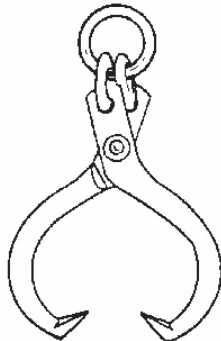
When obstacles prevent direct winching, or to prevent damage to other trees, the Wallenstein self-releasing snatchblock should be used. The snatchblock releases the rope when the keyhole slider reaches it.



48" Log Peavey – P/N Z99001

Quality 2-3/8" diameter hardwood handle, with a Western Duck Bill Hook.

Helps to move those heavy log timbers into position.



Skidding Tongs – P/N Z99003

Heavy Duty Forged Ring Skidding Tongs

Maximum Opening: 25"

Minimum Opening: 4-1/2"

Tough log skidding tongs are a quick and easy way to skid logs.


Common Bolt Torque Values

Checking Bolt Torque

The tables shown give correct torque values for various bolts and capscrews. Tighten all bolts to the torque values specified in the table, unless indicated otherwise. Check tightness of bolts periodically.

IMPORTANT! If replacing hardware, use fasteners of the same grade.

IMPORTANT! Torque figures indicated in the table are for non-greased or non-oiled threads. Do not grease or oil threads unless indicated otherwise. When using a thread locker, increase torque values by 5%.

 **NOTE:** Bolt grades are identified by their head markings.

Imperial Bolt Torque Specifications						
Bolt Diameter	Torque Value					
	SAE Gr. 2		SAE Gr. 5		SAE Gr. 8	
	lbf·ft	N·m	lbf·ft	N·m	lbf·ft	N·m
1/4"	6	8	9	12	12	17
5/16"	10	13	19	25	27	36
3/8"	20	27	33	45	45	63
7/16"	30	41	53	72	75	100
1/2"	45	61	80	110	115	155
9/16"	60	95	115	155	165	220
5/8"	95	128	160	215	220	305
3/4"	165	225	290	390	400	540
7/8"	170	230	420	570	650	880
1"	225	345	630	850	970	1320



Metric Bolt Torque Specifications				
Bolt Diameter	Torque Value			
	Gr. 8.8		Gr. 10.9	
	lbf·ft	N·m	lbf·ft	N·m
M3	0.4	0.5	1.3	1.8
M4	2.2	3	3.3	4.5
M6	7	10	11	15
M8	18	25	26	35
M10	37	50	52	70
M12	66	90	92	125
M14	83	112	116	158
M16	166	225	229	310
M20	321	435	450	610
M30	1,103	1 495	1,550	2 100



Hydraulic Fitting Torque Values

Tightening Flare Type Tube Fittings

1. Check flare and flare seat for defects that might cause leakage.
2. Align tube with fitting before tightening.
3. Hand-tighten swivel nut until snug.
4. To prevent twisting the tube, use two wrenches. Place one wrench on the connector body and tighten the swivel nut with the second. Torque to values shown.

If a torque wrench is not available, use the FFFT (Flats From Finger Tight) method.

Hydraulic Fitting Torque					
Tube Size OD	Hex Size Across Flats	Torque value		Flats From Finger Tight	
		lbf•ft	N•m	Flats	Turns
3/16	7/16	6	8	2	1/6
1/4	9/16	11–12	15–17	2	1/6
5/16	5/8	14–16	19–22	2	1/6
3/8	11/16	20–22	27–30	1-1/4	1/6
1/2	7/8	44–48	59–65	1	1/6
5/8	1	50–58	68–79	1	1/6
3/4	1-1/4	79–88	107–119	1	1/8
1	1-5/8	117–125	158–170	1	1/8

Values shown are for non-lubricated connections.