



EMB Manufacturing Inc.
4144 Boomer Line · St. Clements, On · N0B 2M0 · Canada
Ph: (519) 699-9283 · Fax: (519) 699-4146
www.embmfg.com

LX115 Timber Talon Grapple Parts Manual

Starting with S/N 115X1 to 115X50

Models LX115, LX115W

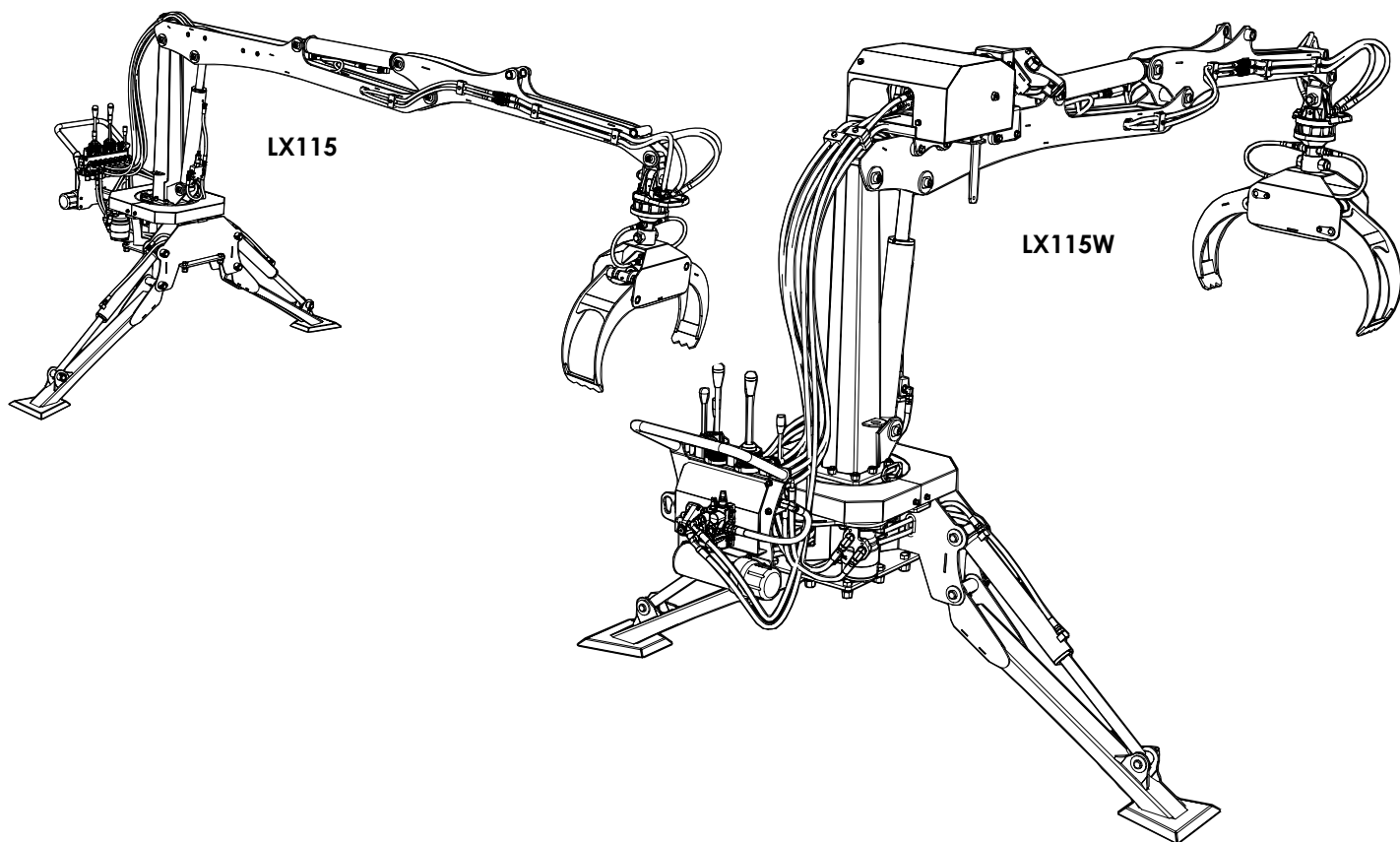


Table of Contents

Contents	
LX115 / LT60 VARIATION CHART	4
CONTROL PANEL ASS'Y	5
STABILIZER ASS'Y	6
SLEW HOUSING ASS'Y	7
MAIN TOWER ASS'Y	8
MAIN TOWER BEARING ASS'Y	9
MAIN BOOM ASS'Y	10
DIPPER BOOM ASS'Y	11
GRAPPLE FORK ASS'Y	12
GRAPPLE ASS'Y	12
POWER PACK ENGINE / PUMP	13
HYDRAULIC WINCH KIT	14
HYDRAULIC WINCH CONTROL ASS'Y	15
HYDRAULIC WINCH ASSEMBLY	16
TOP CABLE PULLEY DETAIL	17
WINCH DRUM DETAIL	17
CYLINDER SEAL INSTALLATION	18
6032C752 MAIN BOOM CYLINDER	18
6032C750 DIPPER BOOM CYLINDER	18
6032C754 STABILIZER CYLINDER	19
6012C205 GRAPPLE CYLINDER	19
SEAL KIT: Z54104 315 SERIES HYDRAULIC MOTOR (MAIN BOOM)	20
SEAL KIT: Z54108 HYDRAULIC MOTOR (WINCH) MLHP 50	20
HYDRAULIC HOSE LIST	20
SEAL KIT: Z54107 CR300 HYDRAULIC ROTATOR	20
SEAL KIT: Z54206 MONOBLOCK 7-SECTION VALVE	20
#20DK SEAL KIT S20 SIDE PORT	21
#20BK SEAL KIT	21
#20CK SEAL KIT FOR S20 INLET SIDE PORT	21
#20AK SEAL KIT FOR S20 WORK SECTIONS	21
HYDRAULIC SCHEMATIC	22
HYDRAULIC SCHEMATIC - TRACTOR HYDRAULIC KIT	23
HYDRAULIC SCHEMATIC - POWER PACK	23
HYDRAULIC SCHEMATIC - WINCH OPTION	23
LABELS	24
ACCESSORIES	25

Foreword

EMB Mfg. has prepared this parts manual to assist customers in ordering quality OEM replacement parts.

Proper and regular service and replacing old, worn or broken parts with the correct OEM parts are essential to prolonging the life of your EMB product. Please refer to this manual before ordering any replacement parts.

All information contained in this parts manual is based on the latest product specification available at the time of printing this manual. If your product differs from the specifications contained within this manual contact EMB Mfg. for information.

EMB reserves the right to alter specifications on their products at any time.

Reproduction of this parts manual of any kind is prohibited without prior written permission from EMB Mfg.



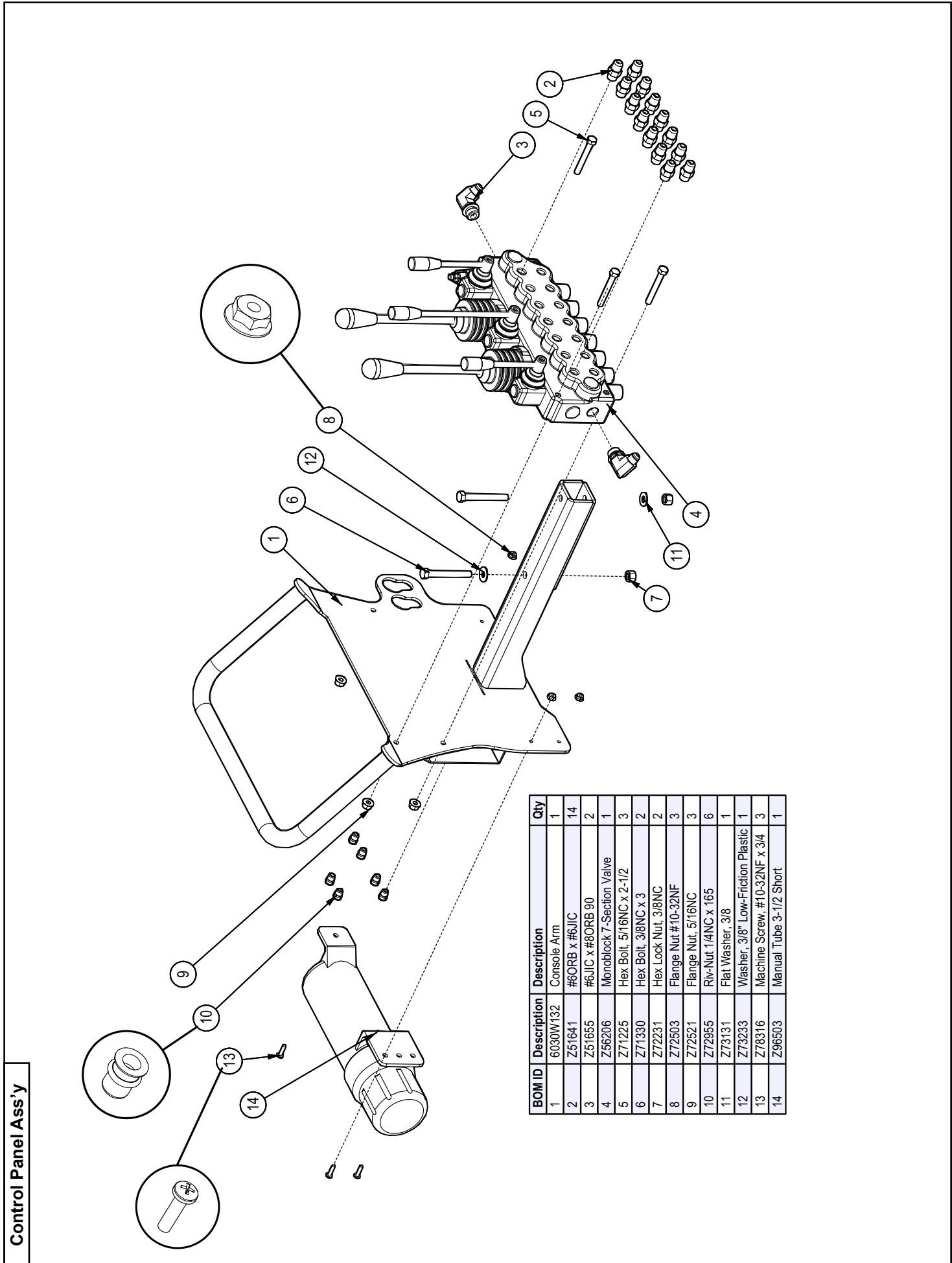
Refer to the operators
manual for safe operation
and maintenance

For parts and information please contact your dealer. If your dealer is no longer available please go to our website: <http://www.embmfg.com> and click on "FIND A DEALER NEAR YOU" for information on a local dealer.

LX115 / LT60 Variation Chart

The LX / LT series of Timber Talon Grapples and Log Trailers are available with different options and variation. Use the chart below to identify your particular model when ordering parts.

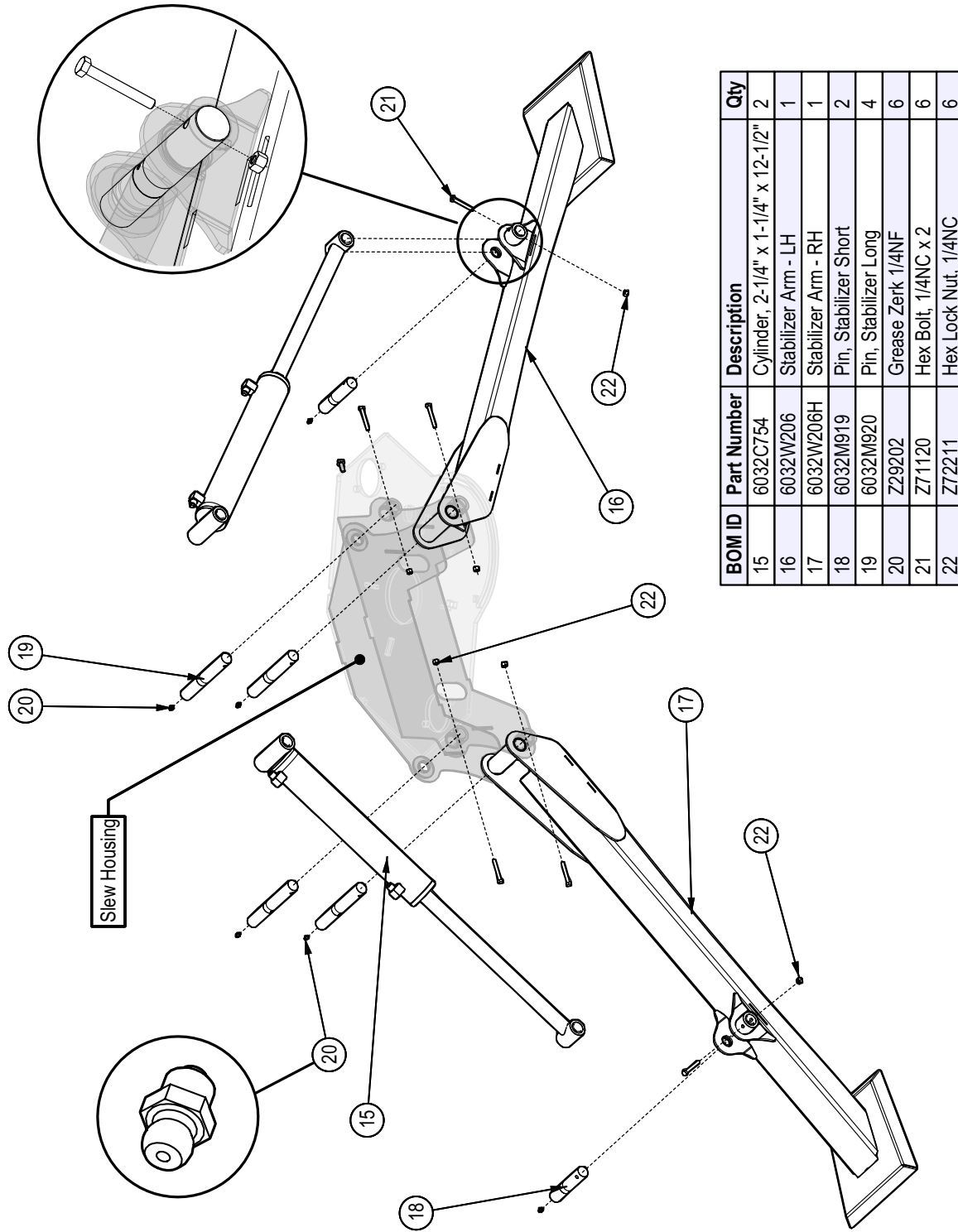
LX115 / LT60 Timber Talon Comparison Chart		Boom Mounting Combination		Options			
				<i>Three Point Hitch</i>	<i>Trailer / Bunk Posts</i>	<i>Dual Speed Winch</i>	<i>Highway Kit</i>
Grapple Boom		LX115	X				
Grapple Boom Off Road Trailer		LX115	LT60		✓		
Grapple Boom Trailer - Highway Kit		LX115	LT60H		✓		✓
Grapple Boom 3 Point Hitch Kit		LX115	L400	✓			
W i n c h M o d e l s	Grapple Boom with Winch	LX115W	X			✓	
	Grapple Boom with Winch Off Road Trailer	LX115W	LT60		✓	✓	
	Grapple Boom with Winch Trailer - Highway Kit	LX115W	LT60H		✓	✓	✓
	Grapple Boom with Winch 3 Point Hitch Kit	LX115W	L400	✓		✓	

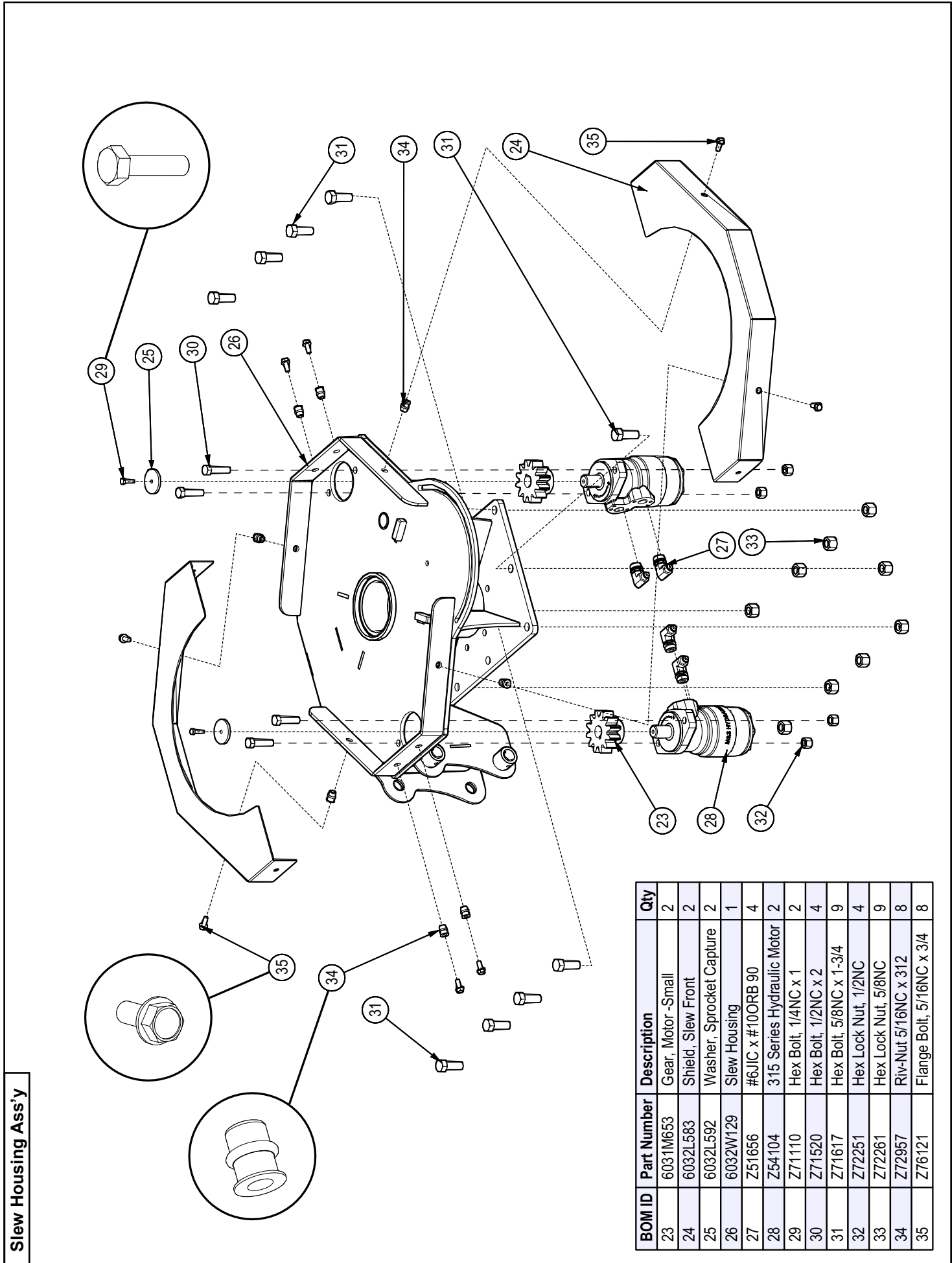


Control Panel Ass'y

BOM ID	Description	Description	Qty
1	6030W132	Console Arm	1
2	Z51641	#6ORB x #6JIC	14
3	Z51655	#6JIC x #8ORB 90	2
4	Z56206	Monoblock 7-Section Valve	1
5	Z71225	Hex Bolt, 5/16NC x 2-1/2	3
6	Z71330	Hex Bolt, 3/8NC x 3	2
7	Z72231	Hex Lock Nut, 3/8NC	2
8	Z72503	Flange Nut #10-32NF	3
9	Z72521	Flange Nut, 5/16NC	3
10	Z72955	Riv-Nut 1/4NC x 165	6
11	Z73131	Flat Washer, 3/8	1
12	Z73233	Washer, 3/8" Low-Friction Plastic	1
13	Z78316	Machine Screw, #10-32NF x 3/4	3
14	Z96503	Manual Tube 3-1/2 Short	1

Stabilizer Ass'y

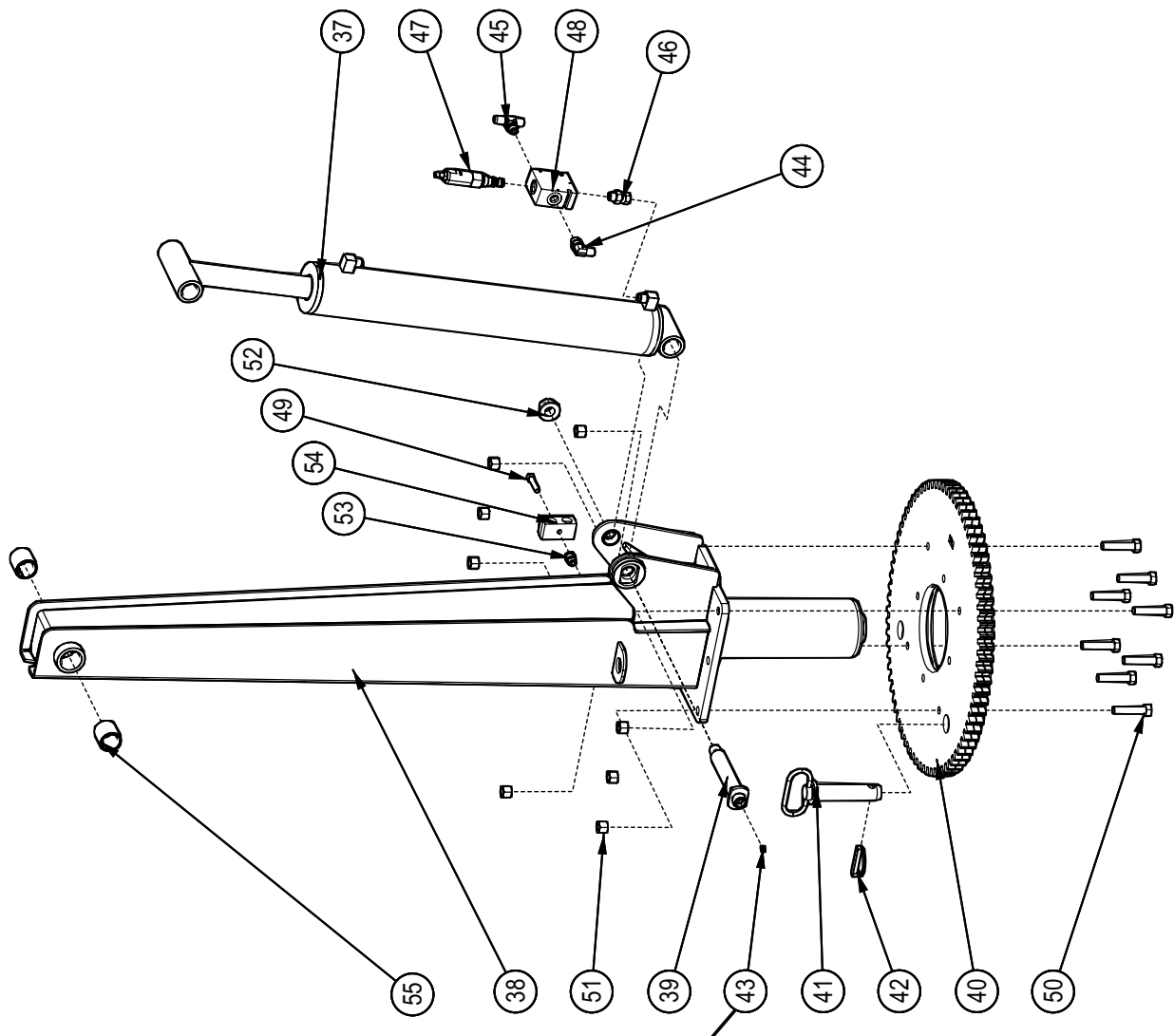




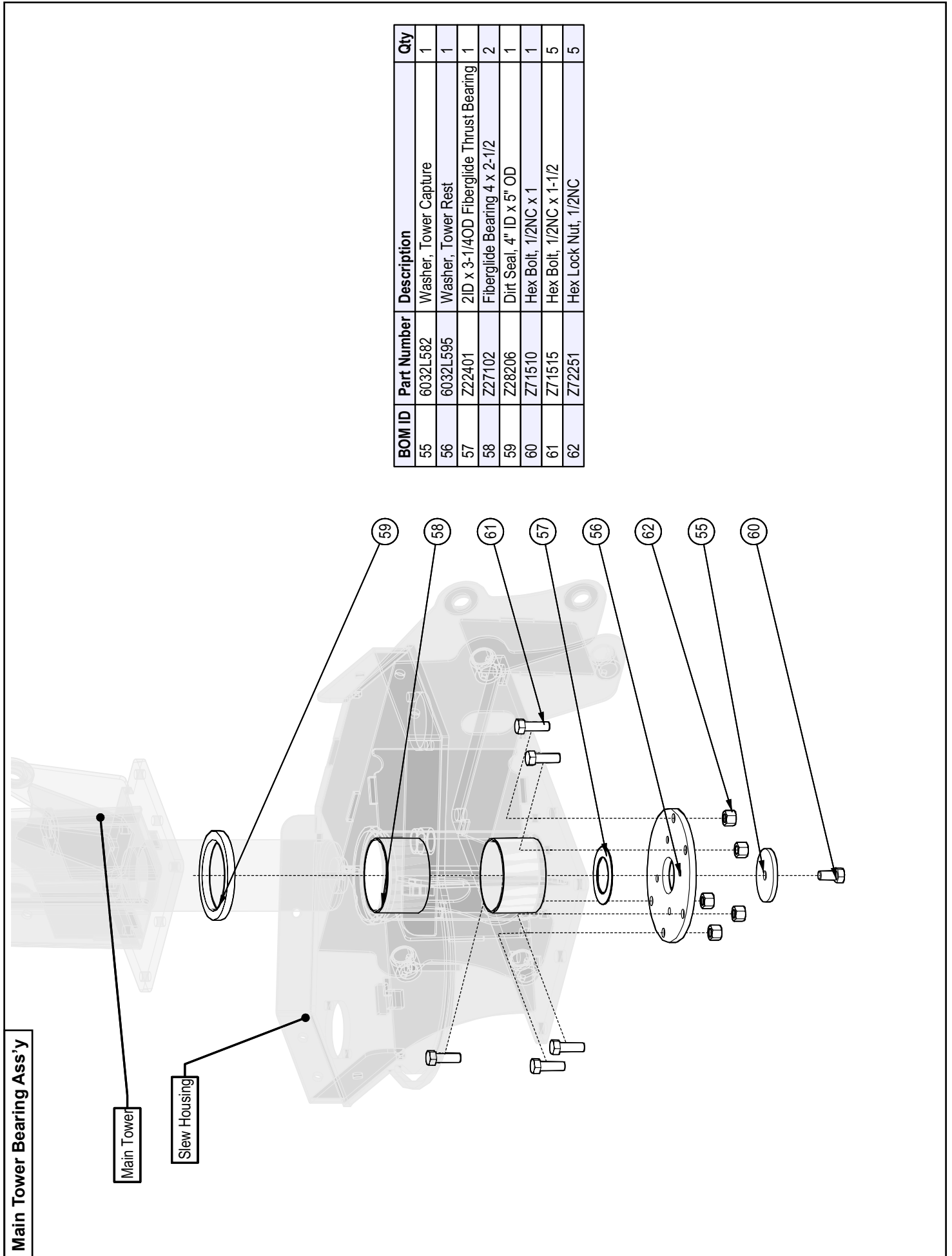
Slew Housing Ass'y

BOM ID	Part Number	Description	Qty
23	6031M653	Gear, Motor -Small	2
24	6032L583	Shield, Slew Front	2
25	6032L592	Washer, Sprocket Capture	2
26	6032W129	Slew Housing	1
27	Z51656	#6JIC x #10ORB 90	4
28	Z54104	315 Series Hydraulic Motor	2
29	Z71110	Hex Bolt, 1/4NC x 1	2
30	Z71520	Hex Bolt, 1/2NC x 2	4
31	Z71617	Hex Bolt, 5/8NC x 1-3/4	9
32	Z72251	Hex Lock Nut, 1/2NC	4
33	Z72261	Hex Lock Nut, 5/8NC	9
34	Z72957	Riv-Nut 5/16NC x 312	8
35	Z76121	Flange Bolt, 5/16NC x 3/4	8

Main Tower Ass'y

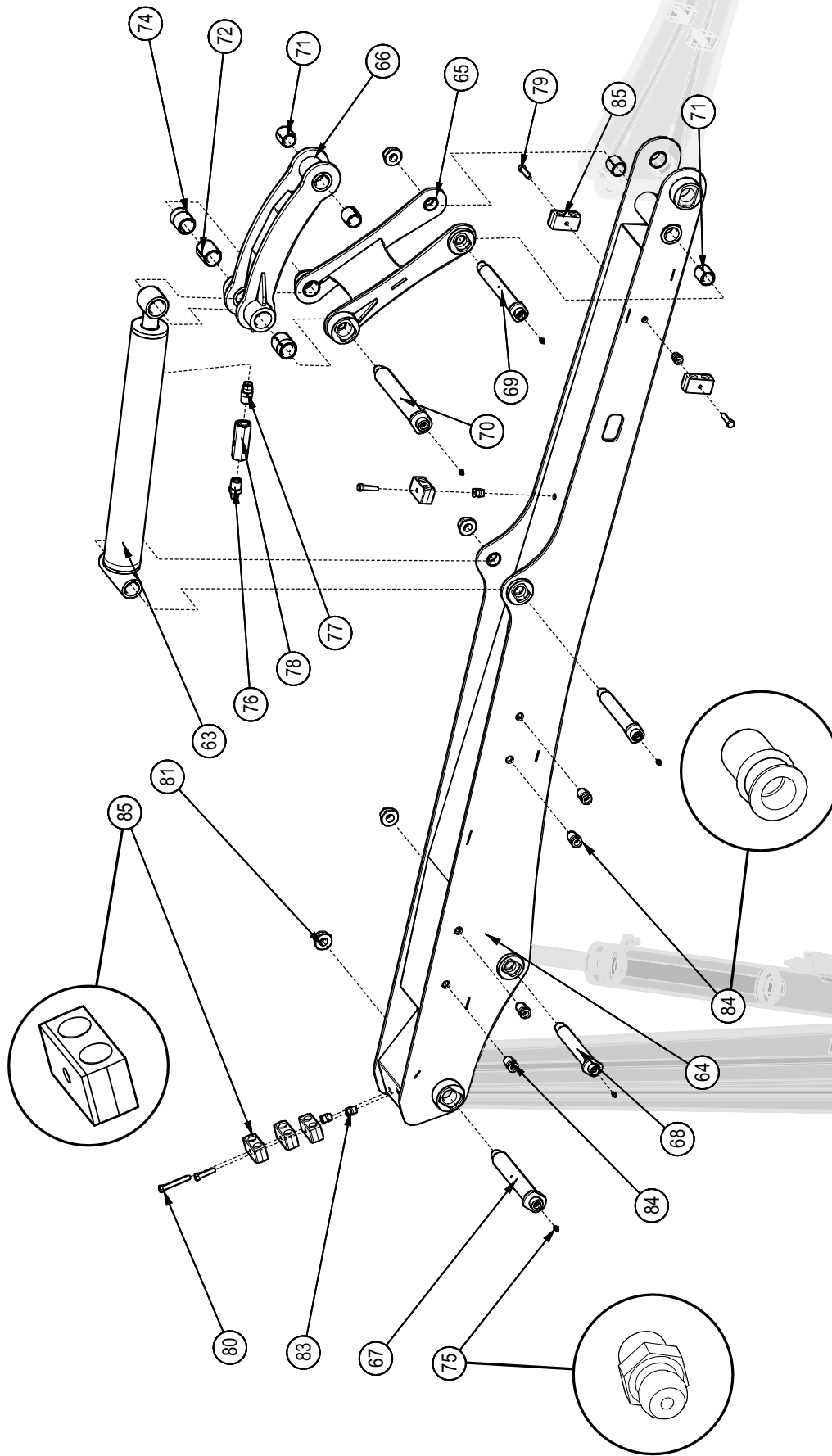


BOM ID	Part Number	Description	Qty
37	6032C752	Cylinder, 3" x 1-1/2" x 20-3/4"	1
38	6032W102	Main Tower	1
39	6032W122	Pin, Main Boom Cylinder	1
40	6032W131	78th Slew Gear	1
41	Z11264	Hitch Pin 1 x 3-3/4 (Modified)	1
42	Z12140	Latch Pin, 7/16	1
43	Z29202	Grease Zerk 1/4NF	1
44	Z51651	#6JIC x #6ORB 90 Elbow	1
45	Z51674	Tee, MJIC x MJIC x MORB 060606	1
46	Z51761	MORB x FJIC 0606	1
47	Z56105-1	Counter Balance Valve, Valve Only	1
48	Z56105-2	Counter Balance Valve, Body Only	1
49	Z71215	Hex Bolt, 5/16NC x 1-1/2	1
50	Z71522	Hex Bolt, 1/2NC x 2-1/4	8
51	Z72251	Hex Lock Nut, 1/2NC	8
52	Z72571	Flange Nut, 3/4-16NF Top Lock	1
53	Z72957	Riv-Nut 5/16NC x 3/2	1
54	Z79463	Double Hose Clamp 1 1/16"	1
55	Z27235	Connex Bushing 1-1/4 x 1-1/2	2



BOM ID	Part Number	Description	Qty
55	6032L582	Washer, Tower Capture	1
56	6032L595	Washer, Tower Rest	1
57	Z22401	2ID x 3-1/4OD Fiberglass Thrust Bearing	1
58	Z27102	Fiberglass Bearing 4 x 2-1/2	2
59	Z28206	Dirt Seal, 4" ID x 5" OD	1
60	Z71510	Hex Bolt, 1/2NC x 1	1
61	Z71515	Hex Bolt, 1/2NC x 1-1/2	5
62	Z72251	Hex Lock Nut, 1/2NC	5

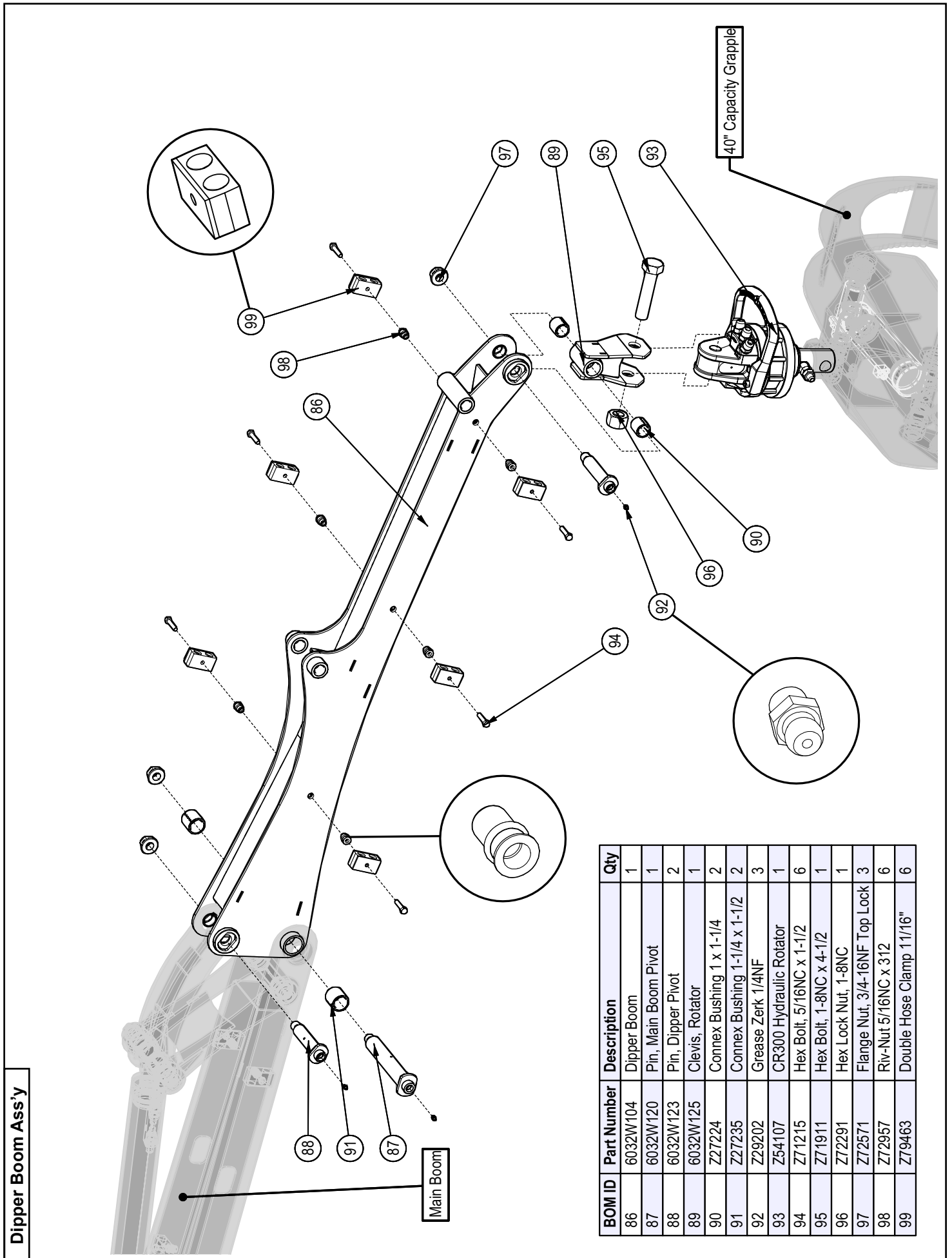
Main Boom Ass'y



BOM ID	Part Number	Description	Qty
80	Z71225	Hex Bolt, 5/16NC x 2-1/2	1
81	Z72571	Flange Nut, 3/4-16NF Top Lock	5
83	Z72957	Riv-Nut 5/16NC x 3/2	5
84	Z72961	Riv-Nut 1/2NC x 350	8
85	Z79463	Double Hose Clamp 1 1/16"	6

BOM ID	Part Number	Description	Qty
71	Z27224	Connex Bushing 1 x 1-1/4	4
72	Z27231	Connex Bushing 1-1/4 x 1-3/4	1
74	Z27237	Connex Bushing 1-1/4 x 1-3/4 x 5/8	2
75	Z29202	Grease Zerk 1/4NF	7
76	Z51441	#6JIC x 1/2NPT	1
77	Z51512	1/2NPT x #6JICx	1
78	Z56104	Check Valve 1/2FNPT 0.040	1
79	Z71215	Hex Bolt, 5/16NC x 1-1/2	4

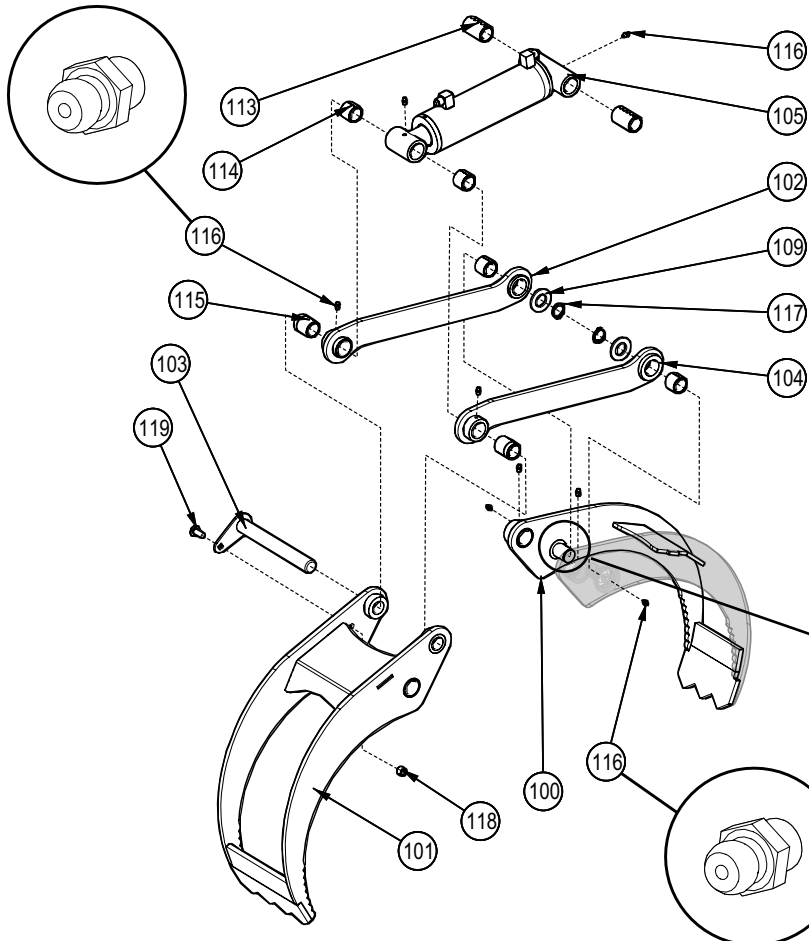
BOM ID	Part Number	Description	Qty
63	6032C750	Cylinder, 2-1/2" x 1-1/4" x 17-3/4"	1
64	6032W103	Main Boom	1
65	6032W105	Linkage Outer, Dipper Boom	1
66	6032W106	Linkage Inner, Dipper Boom	1
67	6032W120	Pin, Main Boom Pivot	1
68	6032W121	Main Boom-Dipper Boom Cyl, Pin	2
69	6032W124	Pin, Outer Linkage	1
70	6032W150	Pin, Dipper Linkage Cylinder Pin	1



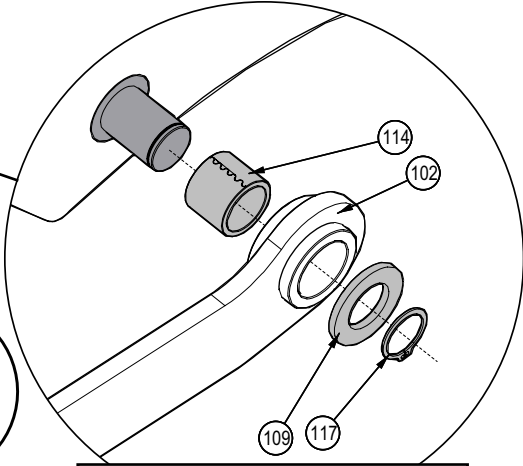
Dipper Boom Ass'y

BOM ID	Part Number	Description	Qty
86	6032W104	Dipper Boom	1
87	6032W120	Pin, Main Boom Pivot	1
88	6032W123	Pin, Dipper Pivot	2
89	6032W125	Clevis, Rotator	1
90	Z7224	Connex Bushing 1 x 1-1/4	2
91	Z7235	Connex Bushing 1-1/4 x 1-1/2	2
92	Z29202	Grease Zerk 1/4NF	3
93	Z54107	CR300 Hydraulic Rotator	1
94	Z71215	Hex Bolt, 5/16NC x 1-1/2	6
95	Z71911	Hex Bolt, 1-8NC x 4-1/2	1
96	Z72291	Hex Lock Nut, 1-8NC	1
97	Z72571	Flange Nut, 3/4-16NF Top Lock	3
98	Z72957	Riv-Nut 5/16NC x 312	6
99	Z79463	Double Hose Clamp 1 1/16"	6

Grapple Fork Ass'y

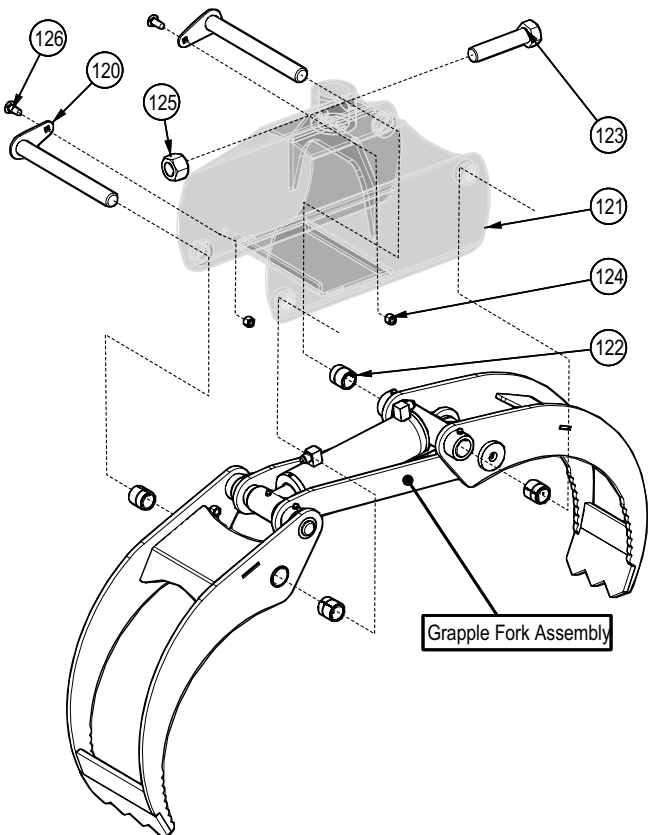


BOM ID	Part Number	Description	Qty
100	6012W201	Narrow (Inside) Fork	1
101	6012W202	Wide (Outside) Fork	1
102	6012W204	Linkage Bar	1
103	6012W205	1" Hex Head Pin	1
104	6012W207	Linkage Bar	1
105	6012C205	Cylinder, 2-1/2 x 6	1
109	6012L118	Washer, Linkage	2
113	Z27222	Connex Bushing 1 x 2	2
114	Z27223	Connex Bushing 1 x 1	4
115	Z27226	Connex Bushing 1 x 1-1/2 x 3/8	2
116	Z29202	Grease Zerk 1/4NF	10
117	Z46204	External Retaining Ring, 1"	2
118	Z72231	Hex Lock Nut, 3/8NC	1
119	Z76231	Carriage Bolt, 3/8NC x 1	1



Linkage / Bushing Ass'y Detail

Grapple Ass'y

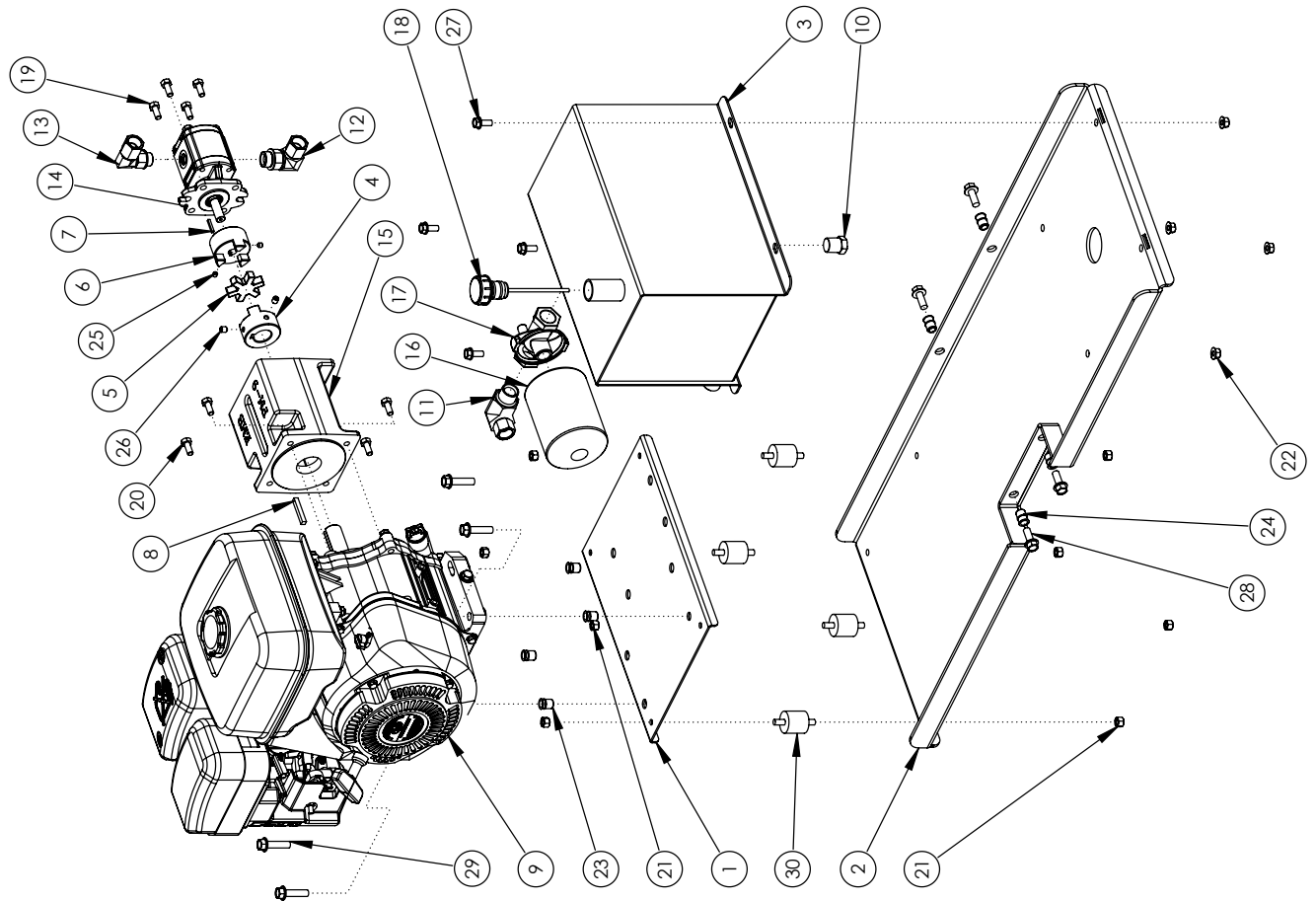


BOM ID	Part Number	Description	Qty
120	6012W203	1" Flange Pin	2
121	6012W215	Main Grapple Frame	1
122	Z27227	Connex Bushing, 1 x 1-1/4 x 1/2	4
123	Z71911	Hex Bolt, 1-8NC x 4-1/2	1
124	Z72231	Hex Lock Nut, 3/8NC	2
125	Z72291	Hex Lock Nut, 1-8NC	1
126	Z76231	Carriage Bolt, 3/8NC x 1	2

Grapple Fork Assembly

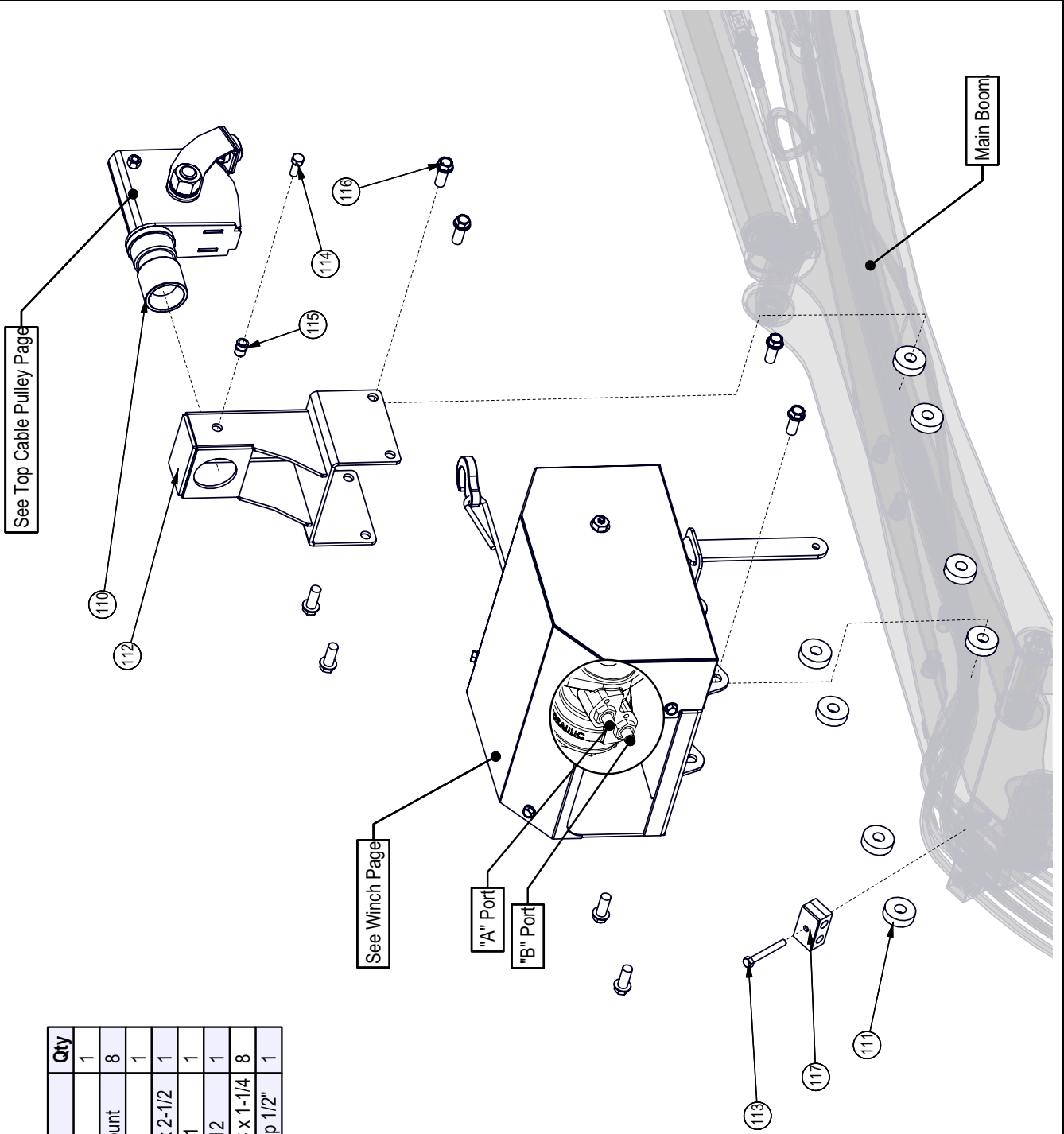
Power Pack Engine / Pump

ITEM	PART NO.	DESCRIPTION	QTY
1	6081L205	Plate, Engine Mount	1
2	6081W200	Base, Hyd Power Pack	1
3	6081W301	Tank	1
4	Z46404	Shaft Coupler L095 x 1	1
5	Z46405	Coupler Spider L095	1
6	Z46409	Shaft Coupler L095 x 1/2	1
7	Z46511	Key, 1/8 x 1/8 x 7/8	1
8	Z46535	Key, 1/4 x 1/4 x 1-3/4	1
9	Z47704	Subaru EX270 9hp Engine	1
10	Z51191	Plug 1/2NPT	1
11	Z51334	Elbow 90 MP x FFX 1208	1
12	Z51383	Elbow 90 ORB x FFX 0808	1
13	Z51385	Elbow 90 MORB x FFX 0608	1
14	Z53105	Gear Pump, 0.33 CjR	1
15	Z53802	Pump Mounting, PM-9	1
16	Z55301	Oil Filter - 3/4 - Particulate	1
17	Z55302	Filter Cap, 3/4 x 3/4	1
18	Z55402	Vented Plug Dipstick x 5	1
19	Z71207	Hex Bolt, 5/16NC x 3/4	4
20	Z71273	Hex Bolt, 5/16NF x 3/4	4
21	Z72221	Hex Lock Nut, 5/16NC	8
22	Z72521	Flange Nut, 5/16NC	4
23	Z72958	Riv-Nut 3/8NC x 150	4
24	Z72959	Riv-Nut 3/8NC x 312	4
25	Z74111	Set Screw, 1/4NC	2
26	Z74121	Set Screw, 5/16NC	2
27	Z76121	Flange Bolt, 5/16NC x 3/4	4
28	Z76134	Flange Bolt, 3/8NC x 1	4
29	Z76136	Flange Bolt, 3/8NC x 1-1/2	4
30	Z79931	Rubber Mount	4



Hydraulic Winch Kit

BOM ID	Description	Description	Qty
110	6083A201	Top Cable Pulley	1
111	6083L211	Washer, Winch Mount	8
112	6083W200	Fairlead Mount	1
113	Z71225	Hex Bolt, 5/16NC x 2-1/2	1
114	Z71310	Hex Bolt, 3/8NC x 1	1
115	Z72959	Riv-Nut, 3/8NC x 312	1
116	Z76152	Flange Bolt, 1/2NC x 1-1/4	8
117	Z79462	Double Hose Clamp 1/2"	1



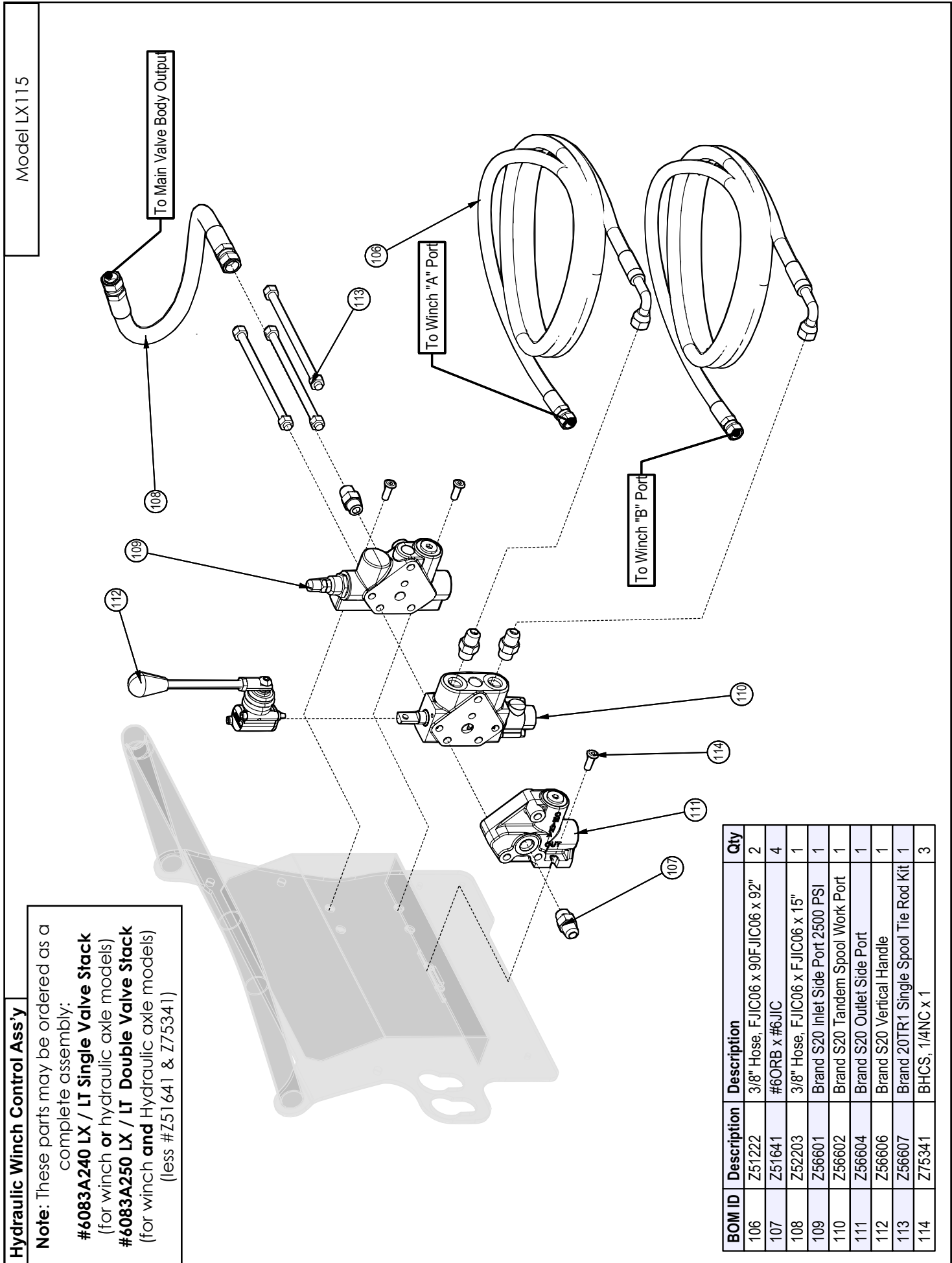
See Top Cable Pulley Page

See Winch Page

"A" Port

"B" Port

Main Boom



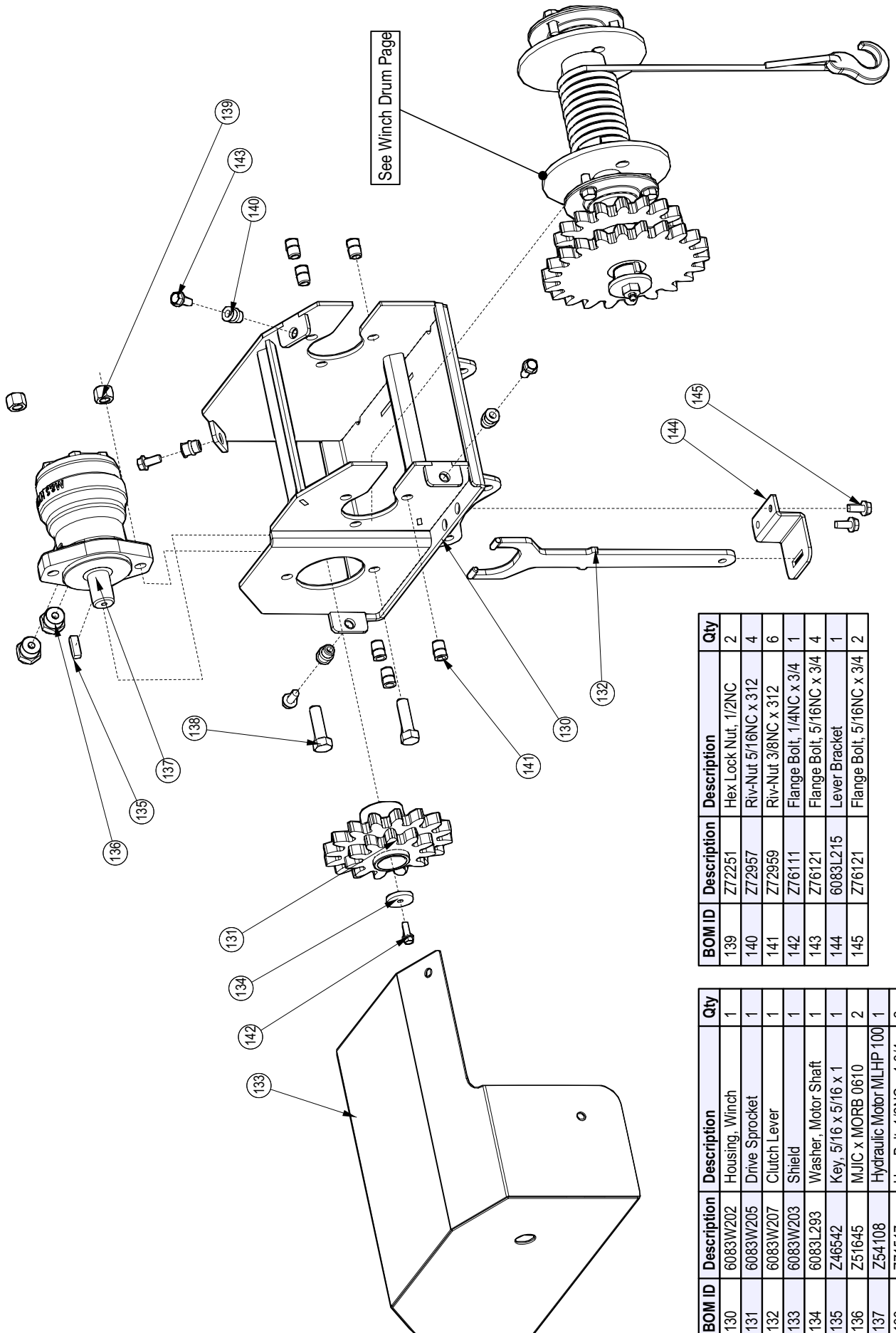
Hydraulic Winch Control Ass'y

Note: These parts may be ordered as a complete assembly:
#6083A240 LX / LT Single Valve Stack
 (for winch or hydraulic axle models)
#6083A250 LX / LT Double Valve Stack
 (for winch and Hydraulic axle models)
 (less #Z51641 & Z75341)

BOM ID	Description	Description	Qty
106	Z51222	3/8" Hose, FJIC06 x 90FJIC06 x 92"	2
107	Z51641	#6ORB x #6JIC	4
108	Z52203	3/8" Hose, FJIC06 x FJIC06 x 15"	1
109	Z56601	Brand S20 Inlet Side Port 2500 PSI	1
110	Z56602	Brand S20 Tandem Spool Work Port	1
111	Z56604	Brand S20 Outlet Side Port	1
112	Z56606	Brand S20 Vertical Handle	1
113	Z56607	Brand 20TR1 Single Spool Tie Rod Kit	1
114	Z75341	BHCS, 1/4NC x 1	3

Model LX115W

Hydraulic Winch Assembly



BOM ID	Description	Description	Qty
139	Z72251	Hex Lock Nut, 1/2NC	2
140	Z72957	Riv-Nut 5/16NC x 3/12	4
141	Z72959	Riv-Nut 3/8NC x 3/12	6
142	Z76111	Flange Bolt, 1/4NC x 3/4	1
143	Z76121	Flange Bolt, 5/16NC x 3/4	4
144	6083L215	Lever Bracket	1
145	Z76121	Flange Bolt, 5/16NC x 3/4	2

BOM ID	Description	Description	Qty
130	6083W202	Housing, Winch	1
131	6083W205	Drive Sprocket	1
132	6083W207	Clutch Lever	1
133	6083W203	Shield	1
134	6083L293	Washer, Motor Shaft	1
135	Z46542	Key, 5/16 x 5/16 x 1	1
136	Z51645	MJIC x MORB 0610	2
137	Z54108	Hydraulic Motor MLHP 100	1
138	Z71517	Hex Bolt, 1/2NC x 1-3/4	2

Winch Drum Detail

Model LX115W

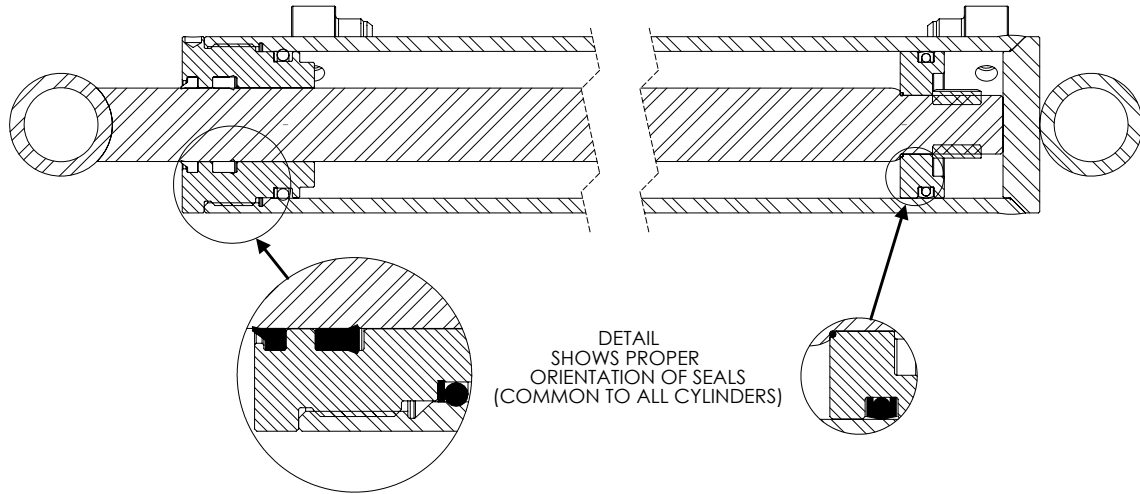
BOM ID	Description	Description	Qty
147	6083W201	Drum, Main Cable	1
148	6083W206	Sprocket, Driven	1
149	6083L207	Washer, Capture	1
150	6083M252	1/2-13 x 1 Bolt Modified	1
151	Z25207	Z25203 Insert Only	2
152	Z25301	PF206 Flange Only	4
153	Z29202	Grease Zerk 1/4NF	1
154	Z34302	Spring Plunger 3/8NC 21# Lock Element	1
155	Z46531	Key, 1/4 x 1/4 x 2	1
156	Z76133	Flange Bolt, 3/8NC x 3/4	6
157	Z92112	Synthetic Winch Rope 1/4 x 50' with Hook	1

Top Cable Pulley Detail

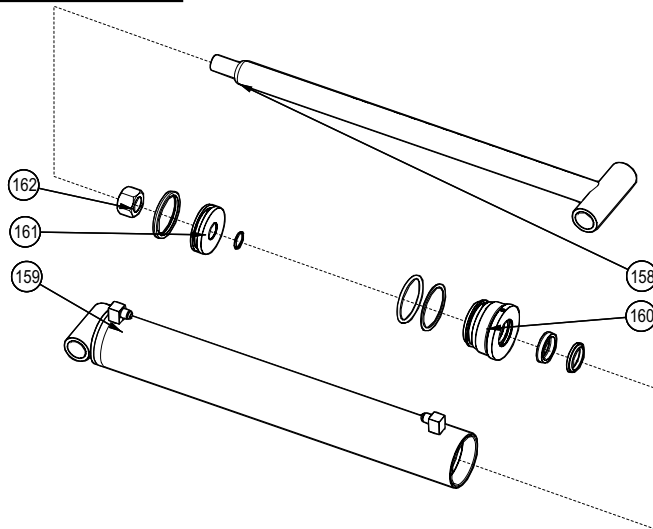
Model LX115W

BOM ID	Description	Description	Qty
119	5011M814	Top Pulley Pin	1
120	5011M816	Cable Pulley	1
121	5012M222	Cable Guide Swing Bushing	1
122	6083L247	Washer, Pulley Spacer - Narrow	2
123	6083W211	Frame, Top Pulley	1
124	Z21201	Ball Bearing 6305 2RS	1
125	Z46101	Internal Retaining Ring 2-7/16	1
126	Z71320	Hex Bolt, 3/8NC x 2	1
127	Z72231	Hex Lock Nut, 3/8NC	1
128	Z72281	Hex Lock Nut, 7/8-9NC	1
129	6083W208	Cable Guide	1

Cylinder Seal Installation



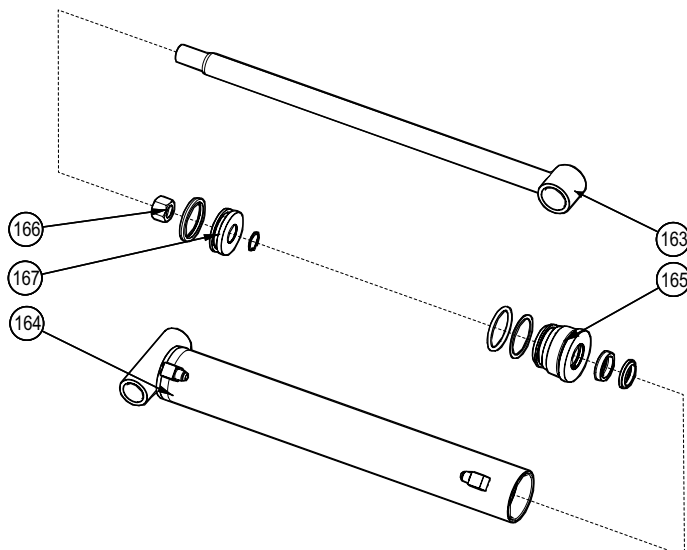
6032C752 Main Boom Cylinder



BOM ID	Part Number	Description	Qty
158	6032C7523	Rod, 1-1/2 x1	1
159	6032C7524	Barrel, 3"	1
160	G300-150S	3" X 1-1/2" GLAND	1
161	P100-300SP	3" BORE PISTON	1
162	Z72292G8	Hex Lock Nut 1NF Grade 8	1

Seal Kit: SLK-3015

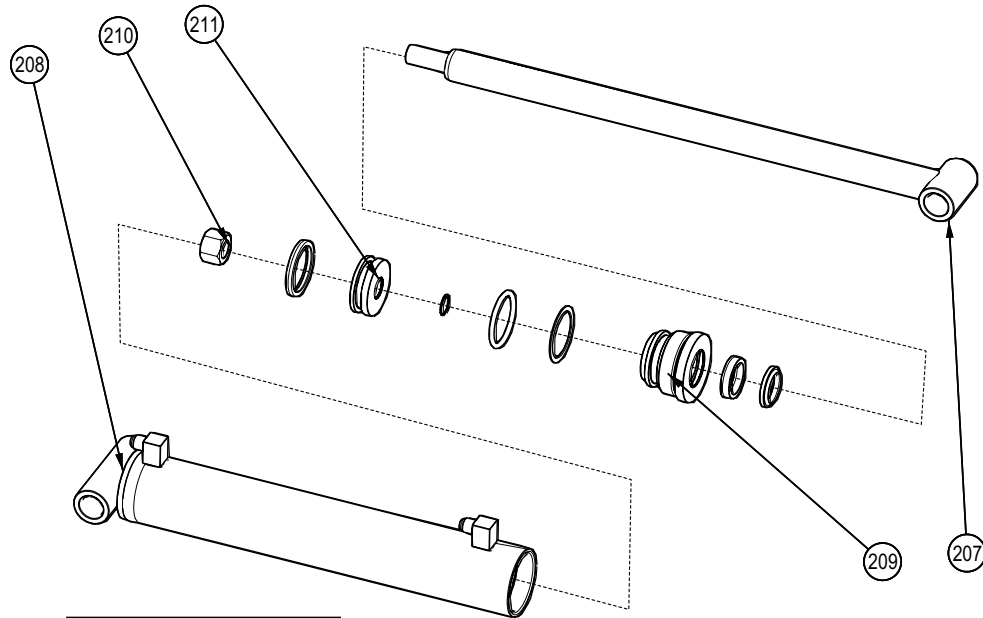
6032C750 Dipper Boom Cylinder



BOM ID	Part Number	Description	Qty
163	6032C7503	Rod, 1-1/4 x1	1
164	6032C7504	Barrel, 2-1/2" Bore	1
165	G250-125S	2-1/2" X 1-1/4" GLAND	1
166	Z72272G8	Hex Lock Nut 3/4NF Grade 8	1
167	P100-250SP	2-1/2" BORE PISTON	1

Seal Kit: SLK-2512

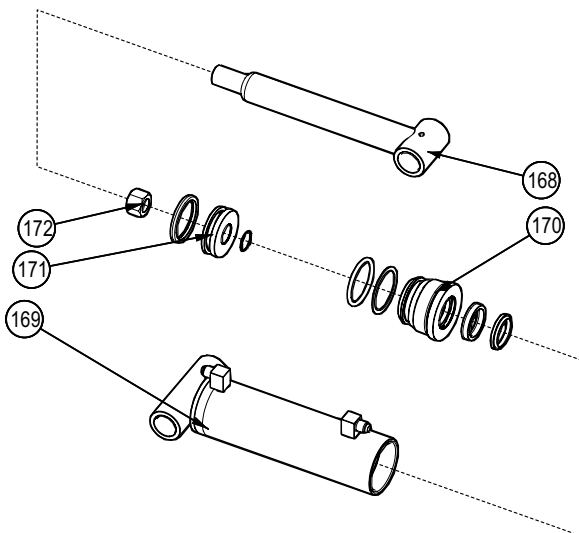
6032C754 Stabilizer Cylinder



Seal Kit: SLK-2212

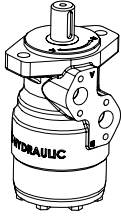
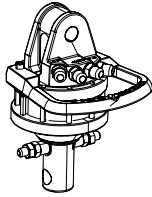
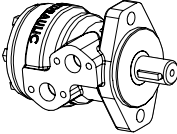
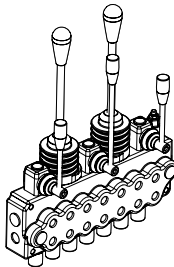
BOM ID	Description	Description	Qty
207	6032C7543	Rod, 1-1/4x3/4	1
208	6032C7544	Barrel, 2-1/4" Bore	1
209	G225-125S	2-1/4" X 1-1/4" GLAND	1
210	Z72272G8	Hex Lock Nut 3/4NF Grade 8	1
211	P750-225SP	2-1/4" BORE PISTON	1

6012C205 Grapple Cylinder



BOM ID	Part Number	Description	Qty
168	6012C2053	Rod, 1-1/2 x1	1
169	6012C2054	Barrel, 2-1/2"	1
170	G250-150S	2-1/2" X 1-1/2" GLAND	1
171	P100-250SP	2-1/2" BORE PISTON	1
172	Z72272G8	Hex Lock Nut 3/4NF Grade 8	1

Seal Kit: SLK-2515

<p>Seal Kit: Z54104 315 Series Hydraulic Motor (Main boom)</p>	<p>Seal Kit: Z54107 CR300 Hydraulic Rotator</p>
<div style="display: flex; justify-content: space-around; align-items: center;">  <div style="border: 1px solid black; padding: 5px;"> <p>Seal Kit: SK MLHP-U/D,E</p> </div> </div>	<div style="display: flex; justify-content: space-around; align-items: center;">  <div style="border: 1px solid black; padding: 5px;"> <p>Seal Kit: RK CR300</p> </div> </div>
<p>Seal Kit: Z54108 Hydraulic Motor (Winch) MLHP 50</p>	<p>Seal Kit: Z54206 Monoblock 7-Section Valve</p>
<div style="display: flex; justify-content: space-around; align-items: center;">  <div style="border: 1px solid black; padding: 5px;"> <p>Seal Kit: SK MLHP-U/D,E</p> </div> </div>	<div style="display: flex; justify-content: space-around; align-items: center;">  <div style="border: 1px solid black; padding: 5px;"> <p>Seal Kit: SK SD5/7</p> </div> </div>

Hydraulic Hose List

Part Number	Description	Qty	Where Used
Z52203	3/8" Hose, FJIC06 x FJIC06 x 15"	2	LX115 / LX115W
Z52206	3/8" Hose, FJIC06 x FJIC06 x 30"	1	LX115 / LX115W
Z52214	3/8" Hose, FJIC06 x FJIC06 x 128"	1	LX115 / LX115W
Z52262	3/8" Hose, FJIC06 x MP04 x 172"	4	LX115 / LX115W
Z52263	3/8" Hose, FJIC06 x FJIC06 x 135"	1	LX115 / LX115W
Z52264	3/8" Hose, FJIC06 x FJIC06 x 16"	1	LX115 / LX115W
Z52265	3/8" Hose, FJIC06 x FJIC06 x 44"	4	LX115 / LX115W
Z52266	3/8" Hose, FJIC06 x FJIC06 x 58"	2	LX115 / LX115W
Z52267	3/8" Hose, FJIC06 x FJIC06 x 28"	1	LX115 / LX115W
Z52269	3/8" Hose, 45FJIC08 x MP04 x 52"	4	LX115 / LX115W
Z52222	3/8" Hose, FJIC06 x 90FJIC06 x 92"	2	LX115W
Z52203	3/8 Hose,#6FJICx#6FJICx15"	1	LX115W
Z52260	3/8" Hose, FJIC06 x MP08 x 48"	2	L601 Power Pack
Z52347	1/2" Hose, MP08 x MP08 x 30"	1	L601 Power Pack
Z52348	1/2" Hose, MP08 x MP08 x 78"	2	L101 Tractor Hydraulic Kit
Z52206	3/8 Hose,#6FJICx#6FJIC 90x30"	1	L101 Tractor Hydraulic Kit
Z52203	3/8 Hose,#6FJICx#6FJICx15"	1	L101 Tractor Hydraulic Kit

#20DK Seal Kit S20 Side Port	Model LX115W
#20BK Seal Kit	
Z56604	

Seal Kit (20DK)		
ITEM NO.	QTY.	DESCRIPTION
1	3	ORING, 2012
2	1	O RING 2016 90D
3	3	STEEL SHIM
4	2	ORING, 3906

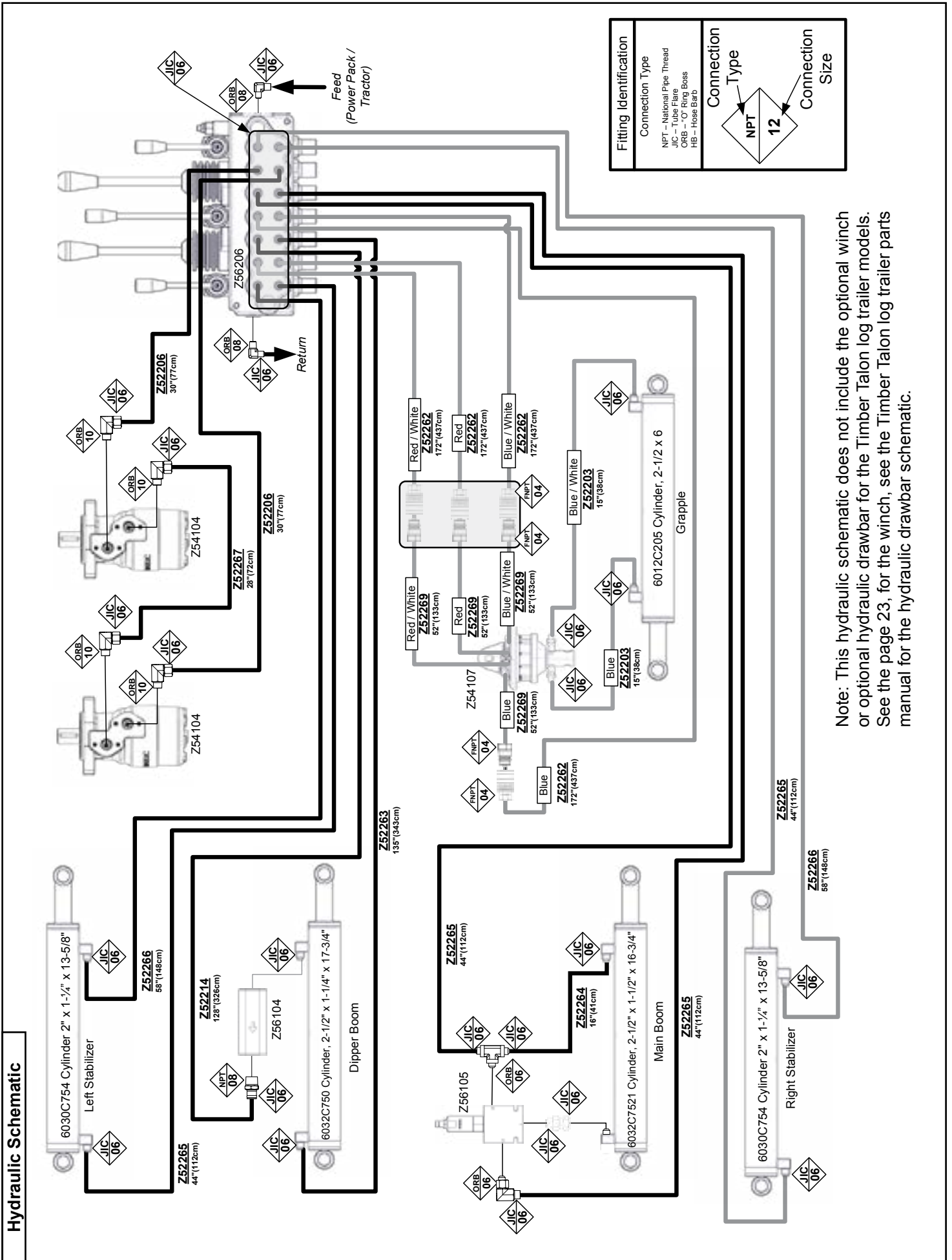
Seal Kit (20BK) (Between Sections)		
ITEM NO.	QTY.	DESCRIPTION
1	3	ORING, 2012
2	1	O RING 2016 90D
3	3	STEEL SHIM

#20CK Seal Kit for S20 Inlet Side Port	Model LX115W
Z56601	

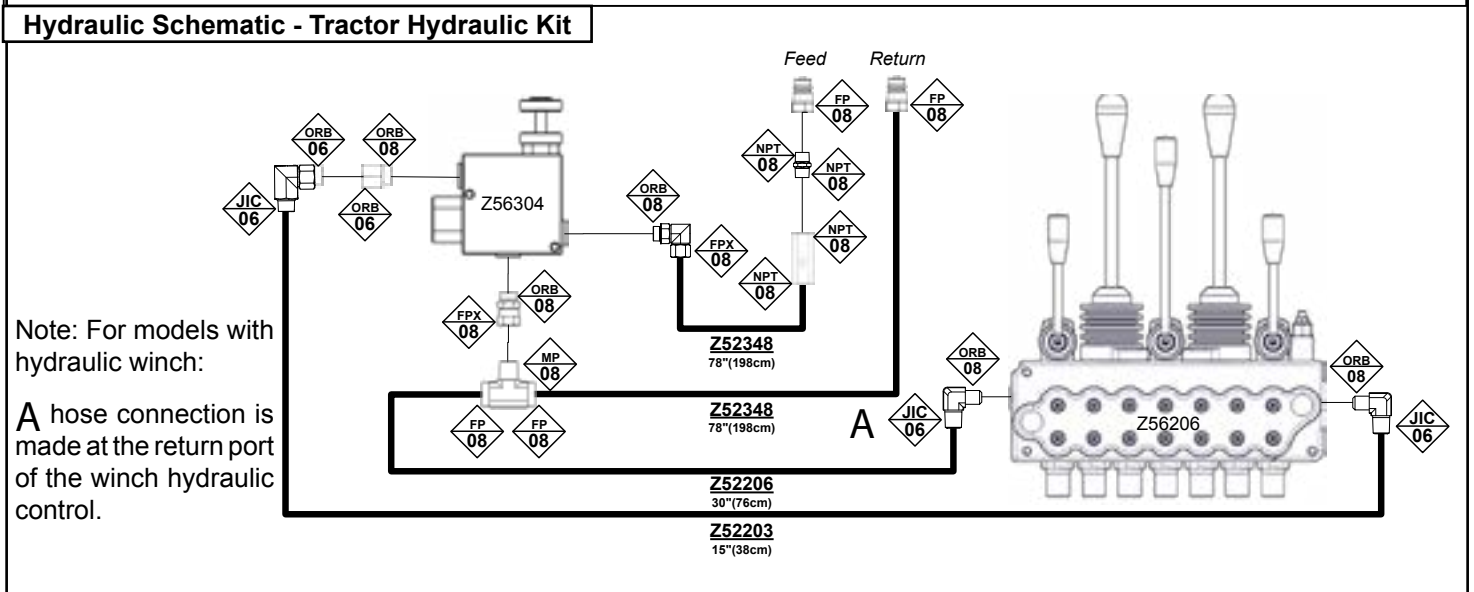
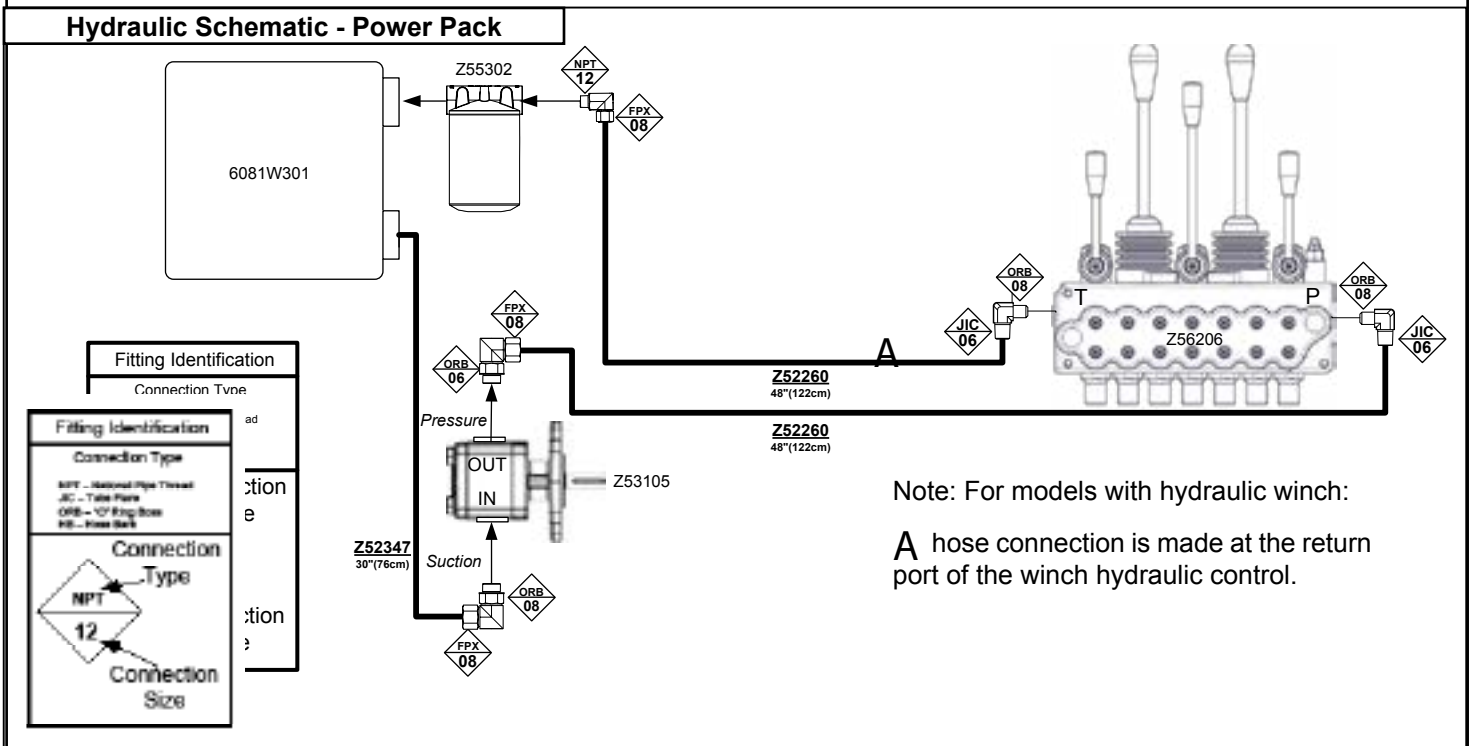
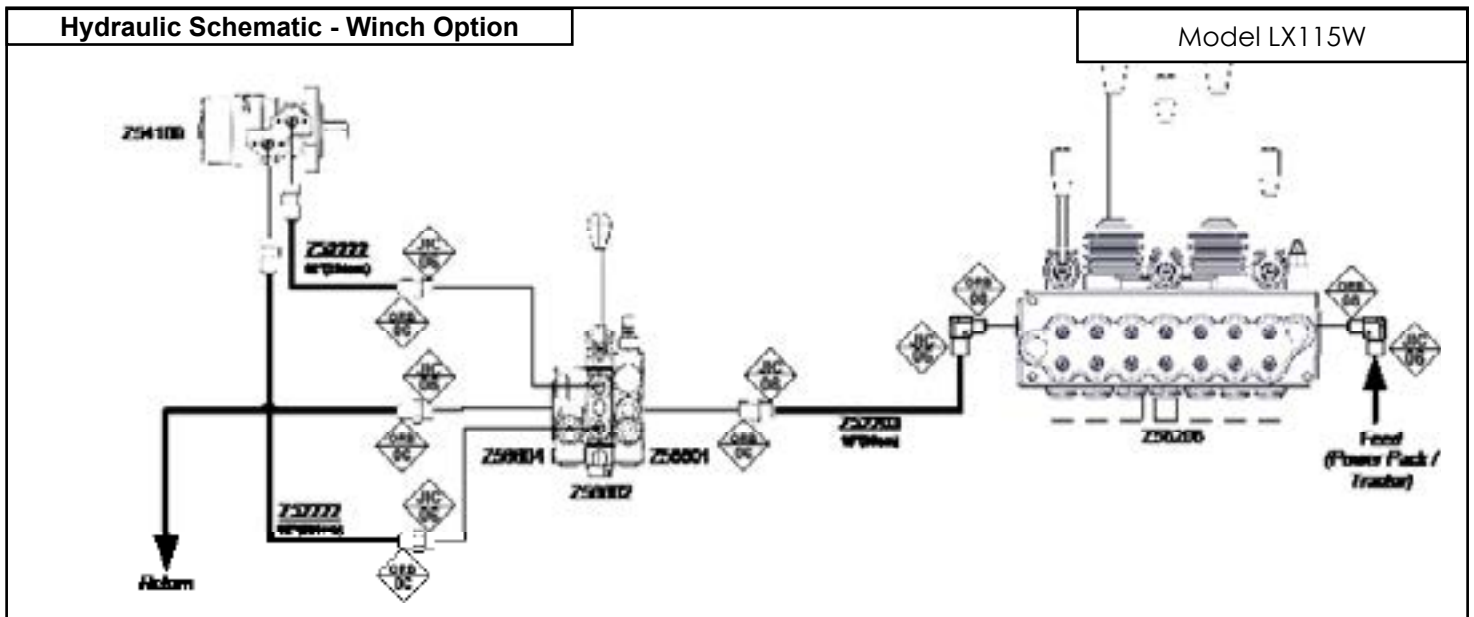
Seal Kit (20CK)		
ITEM NO.	QTY.	DESCRIPTION
1	1	BACKUP, 8012
2	1	ORING, 2012
3	1	ORING, 2013
4	1	ORING, 3908
5	2	ORING, 3906

#20AK Seal Kit for S20 Work Sections	Model LX115W
Z56602	

Seal Kit (20AK)		
ITEM NO.	QTY.	DESCRIPTION
1	4	ORING, 2012
2	1	BACKUP, 8012
3	2	WIPER FOR 1/2" SPOOL
4	2	QUAD RING Q4112
5	3	STEEL SHIM
6	1	O RING 2016 90D

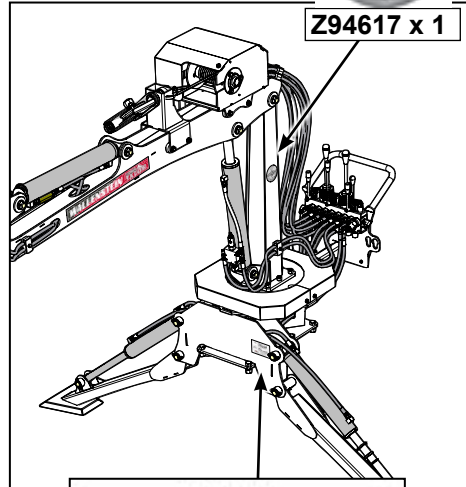
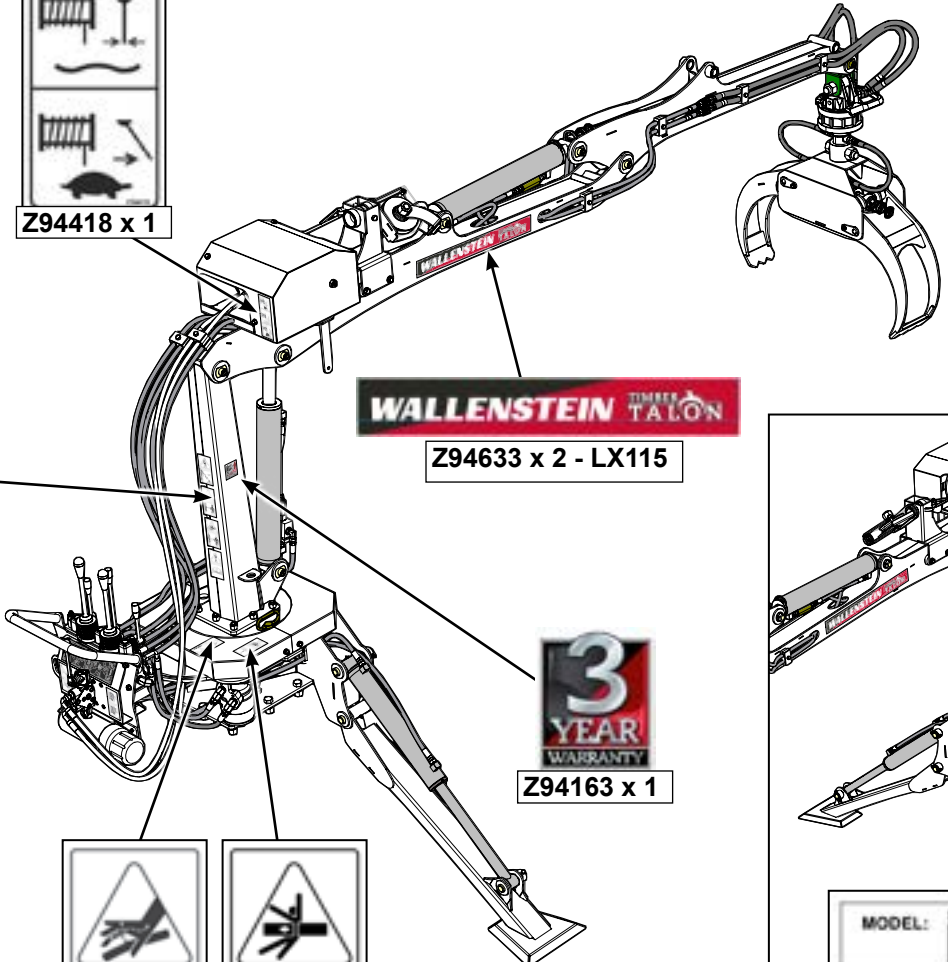
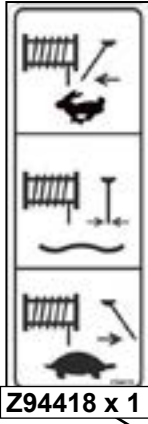
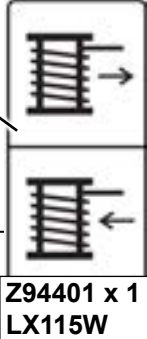
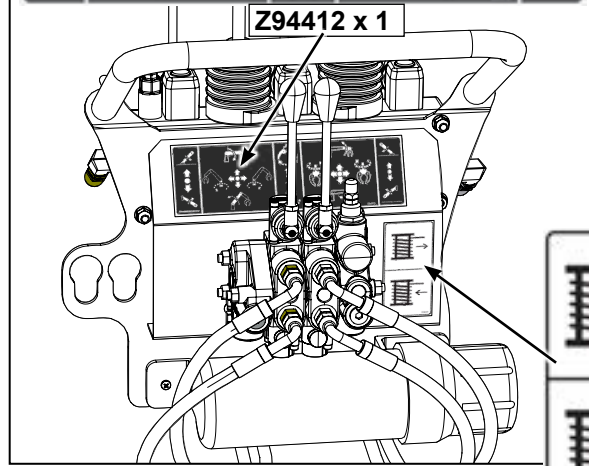


Note: This hydraulic schematic does not include the optional winch or optional hydraulic drawbar for the Timber Talon log trailer models. See the page 23, for the winch, see the Timber Talon log trailer parts manual for the hydraulic drawbar schematic.



Labels

REMEMBER - If safety signs have been damaged, removed, become illegible or parts replaced without safety signs, new signs must be applied. New safety signs are available from your authorized dealer.

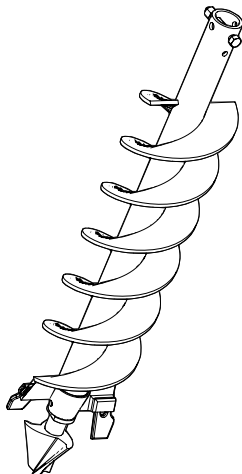


Serial Location

Accessories

Call your dealer for pricing and availability

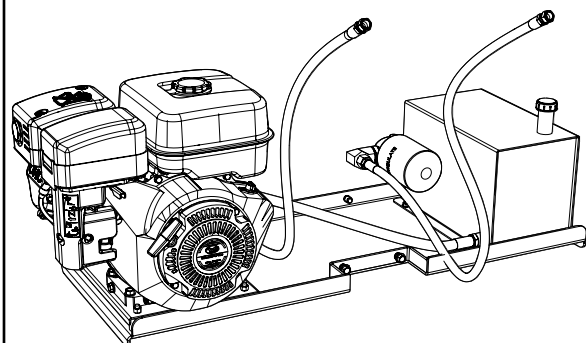
For replacement parts, go to www.embmfg.com and click on "Parts and Manuals" to download the latest parts manual for your model, then call your dealer to order.



#LA610 6" DIAMETER AUGER KIT #LA910 9" DIAMETER AUGER KIT

For **all LX models**.

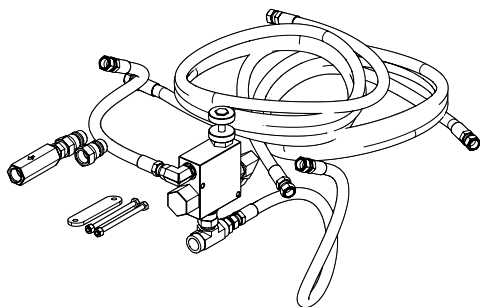
A great way to get your fence post jobs done quickly and efficiently. Both hydraulic augers are capable of a hole depth of a 107 cm (42")



L601 Power
Pack

#L601 LX115 POWER PACK

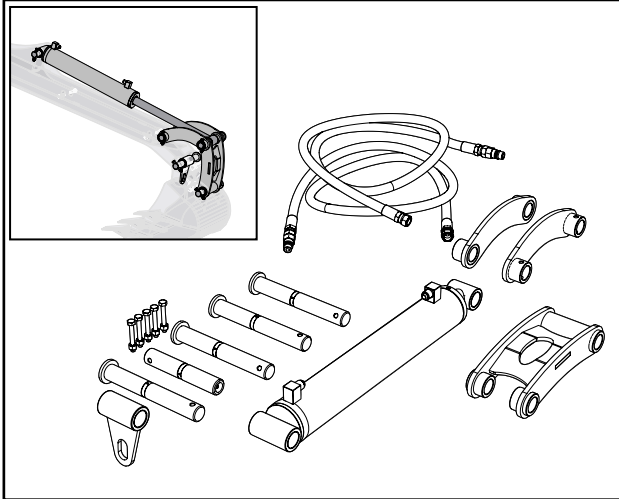
Independently power your LX grapple: the **L601 for LX115** features a 9HP Subaru engine. Power packs include hydraulic pump and 17.5 litre (4.6 us gal) reservoir tank.



#L101 TRACTOR HYDRAULIC KIT

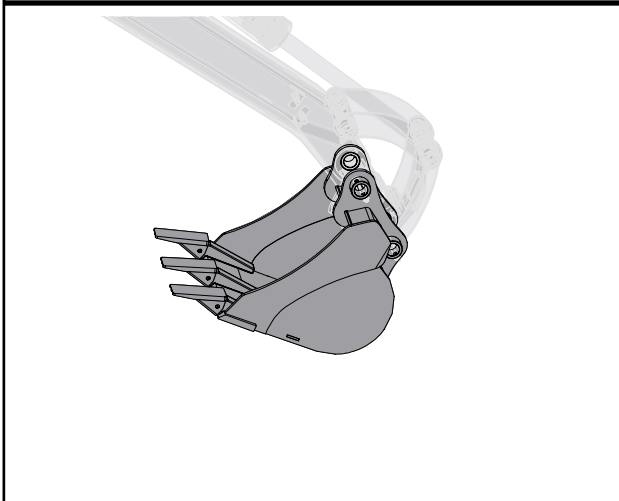
For **all LX models**

Makes use of your existing tractor hydraulics, comes with everything you need to attach and control you hydraulics. Includes: flow control, hoses, and hardware



#BA201 BACK HOE KIT

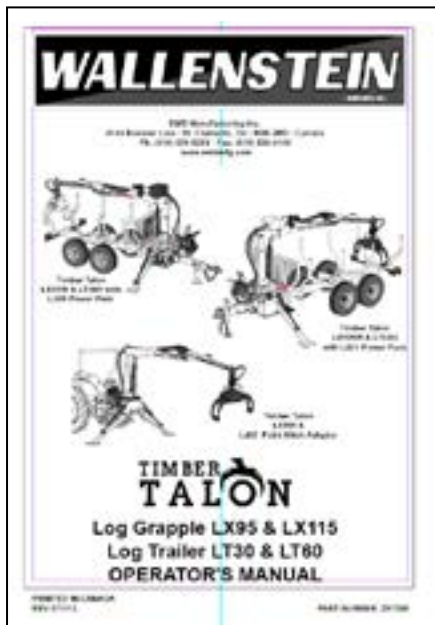
For **all LX models**. (Bucket not included)
 Trenching made easier with this great accessory, includes: hydraulic cylinder, hoses, bucket linkage, pins & hardware)



#BK SERIES BUCKET OPTIONS FOR #BA201 BACK HOE KIT:

Choose the bucket you need for the job at hand.
BK2690 9" 3 Tooth Bucket
BK2612 12" 3 Tooth Bucket
BK2615 15" 4 Tooth Bucket
BK2618 18" 4 Tooth Bucket

Manual



Z97068

Available as a download at
www.embmfg.com