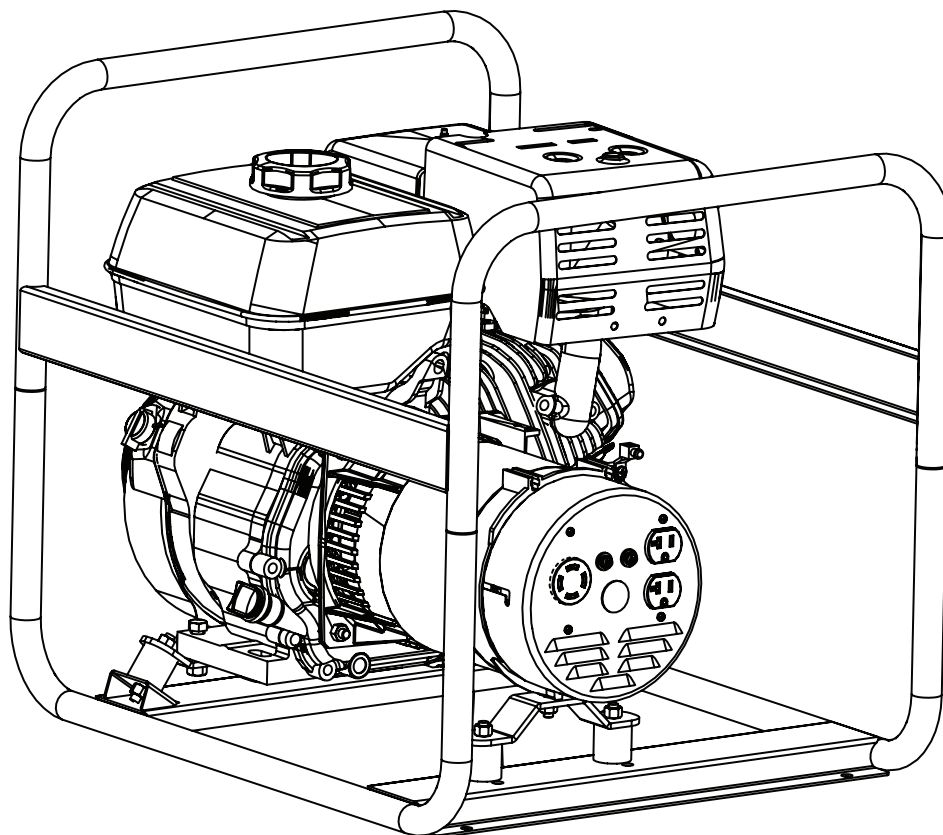




EMB Manufacturing Inc.
4144 Boomer Line · St. Clements, On · N0B 2M0 · Canada
Ph: (519) 699-9283 · Fax: (519) 699-4146
www.embmfg.com

EC5000 Generator Parts Manual



Refer to the operators
manual for safe
operation and
maintenance

Foreword

EMB Mfg. has prepared this parts manual to assist customers in ordering quality OEM replacement parts.

Proper and regular service and replacing old, worn or broken parts with the correct OEM parts are essential to prolonging the life of your EMB product. Please refer to this manual before ordering any replacement parts.

All information contained in this parts manual is based on the latest product specification available at the time of printing this manual. If your product differs from the specifications contained within this manual contact EMB Mfg. for information.

EMB reserves the right to alter specifications on their products at any time.

Reproduction of this parts manual of any kind is prohibited without prior written permission from EMB Mfg.

For parts and information please contact your dealer. If your dealer is no longer available please go to our website: <http://www.embmfg.com> and click on "FIND A DEALER NEAR YOU" for information on a local dealer.

Table of Contents

Bolt Torque.....	4
EC5000 Main Assembly.....	5
End Cap Assembly.....	6
Wiring Diagram.....	7
Accessories.....	8

Alternator maintenance should be performed by trained personnel only.



Exercise extreme caution when working with exposed wiring of the alternator, be aware that high voltage discharge of the capacitor is a danger.

Bolt Torque

CHECKING BOLT TORQUE

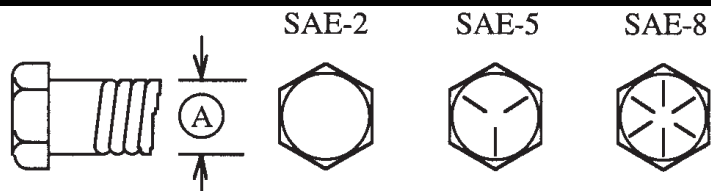
The tables shown below give correct torque values for various bolts and capscrews. Tighten all bolts to the torques specified in chart unless otherwise noted. Check tightness of bolts periodically, using bolt torque chart as a guide. Replace hardware with the same strength bolt.

Torque figures indicated above are valid for non-greased or non-oiled threads and heads unless otherwise specified. Therefore, do not grease or oil bolts or capscrews unless otherwise specified in this manual. When using locking elements, increase torque values by 5%.

* Torque value for bolts and capscrews are identified by their head markings.

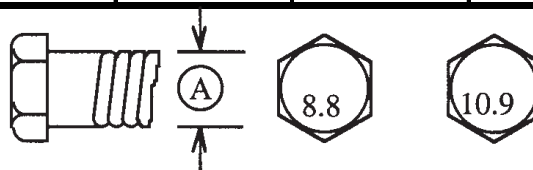
ENGLISH TORQUE SPECIFICATIONS

Bolt Diameter "A"	Bolt Torque*					
	SAE 2 (N.m) (lb-ft)		SAE 5 (N.m) (lb-ft)		SAE 8 (N.m) (lb-ft)	
1/4"	8	6	12	9	17	12
5/16"	13	10	25	19	36	27
3/8"	27	20	45	33	63	45
7/16"	41	30	72	53	100	75
1/2"	61	45	110	80	155	115
9/16"	95	60	155	115	220	165
5/8"	128	95	215	160	305	220
3/4"	225	165	390	290	540	400
7/8"	230	170	570	420	880	650
1"	345	225	850	630	1320	970

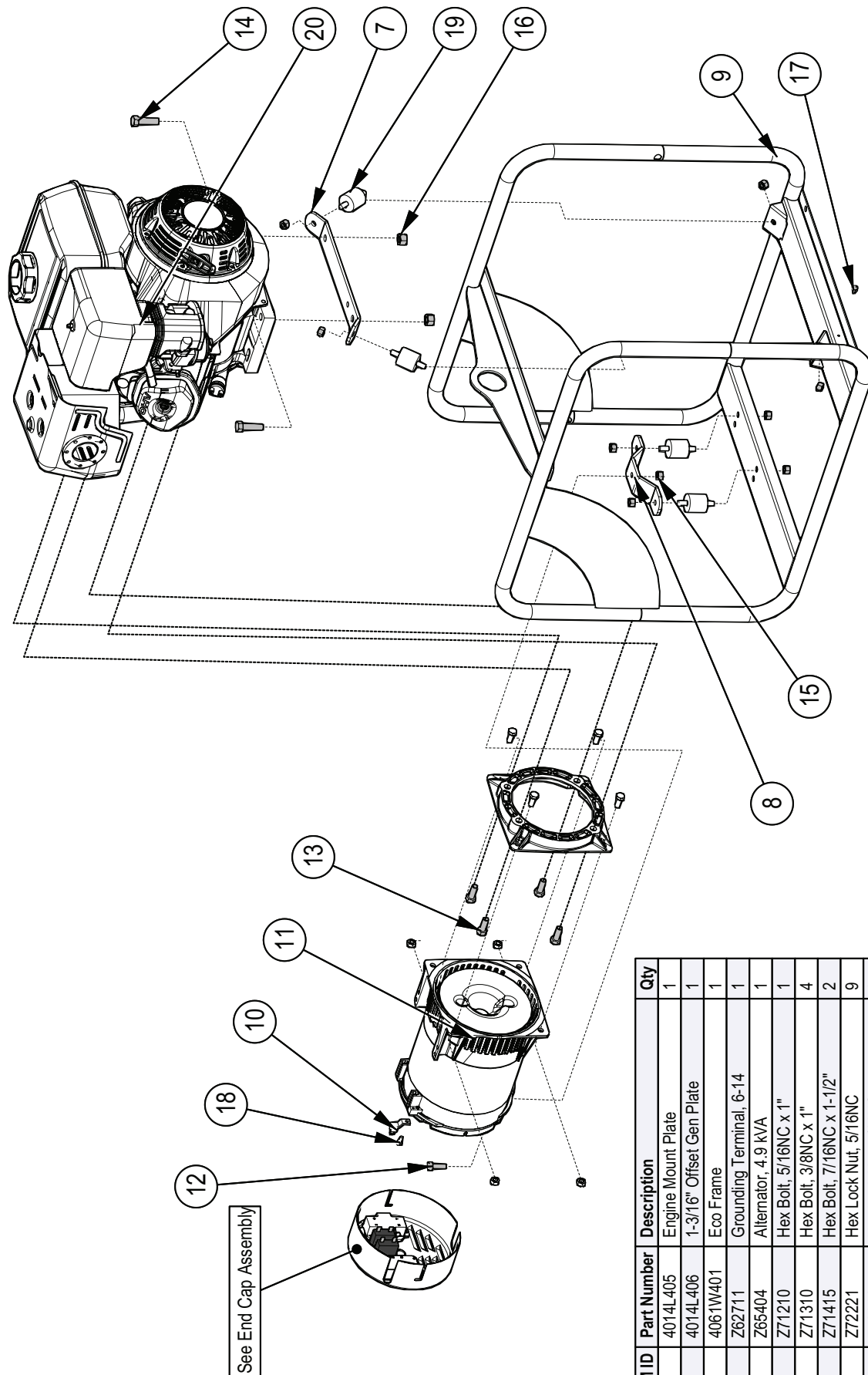


METRIC TORQUE SPECIFICATIONS

Bolt Diameter "A"	Bolt Torque*			
	8.8 (N.m) (lb-ft)		10.9 (N.m) (lb-ft)	
M3	0.5	0.4	1.8	1.3
M4	3	2.2	4.5	3.3
M5	6	4	9	7
M6	10	7	15	11
M8	25	18	35	26
M10	50	37	70	52
M12	90	66	125	92
M14	140	103	200	148
M16	225	166	310	229
M20	435	321	610	450
M24	750	553	1050	774
M30	1495	1103	2100	1550
M36	2600	1917	3675	2710



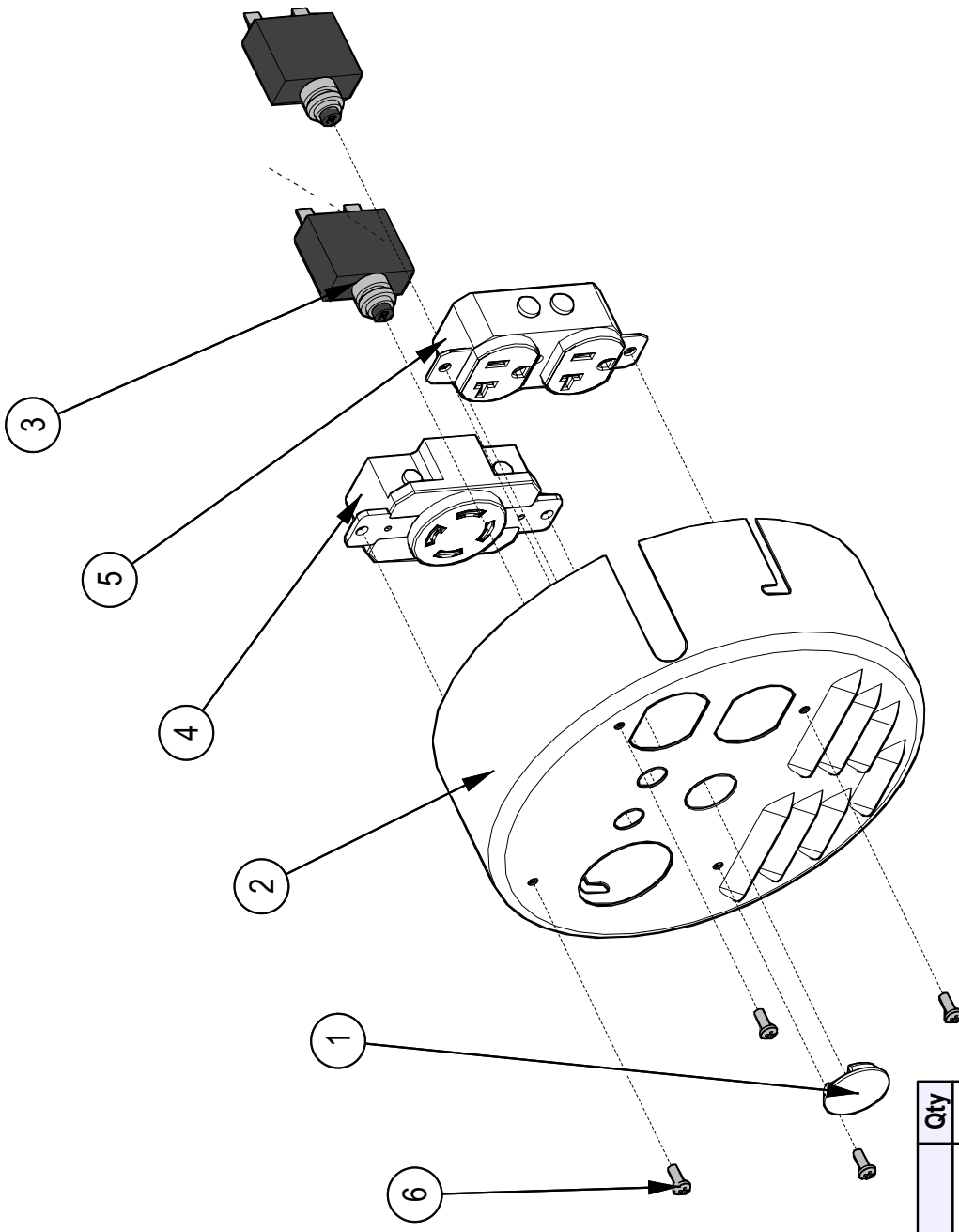
EC5000 Main Assembly



See End Cap Assembly

BOM ID	Part Number	Description	Qty
7	4014L405	Engine Mount Plate	1
8	4014L406	1-3/16" Offset Gen Plate	1
9	4061W401	Eco Frame	1
10	Z62711	Grounding Terminal, 6-14	1
11	Z65404	Alternator, 4.9 KVA	1
12	Z71210	Hex Bolt, 5/16NC x 1"	1
13	Z71310	Hex Bolt, 3/8NC x 1"	4
14	Z71415	Hex Bolt, 7/16NC x 1-1/2"	2
15	Z72221	Hex Lock Nut, 5/16NC	9
16	Z72241	Hex Lock Nut, 7/16NC	2
17	Z76712	Self-tapping Screw, #10 x 3/4"	1
18	Z78303	Machine Screw, #10NF x 1/2"	1
19	Z79931	Isolator, 1-1/4" Dia x 1-1/4" x 5/16NC	4
20	Z47137	Honda 9hp Engine	1

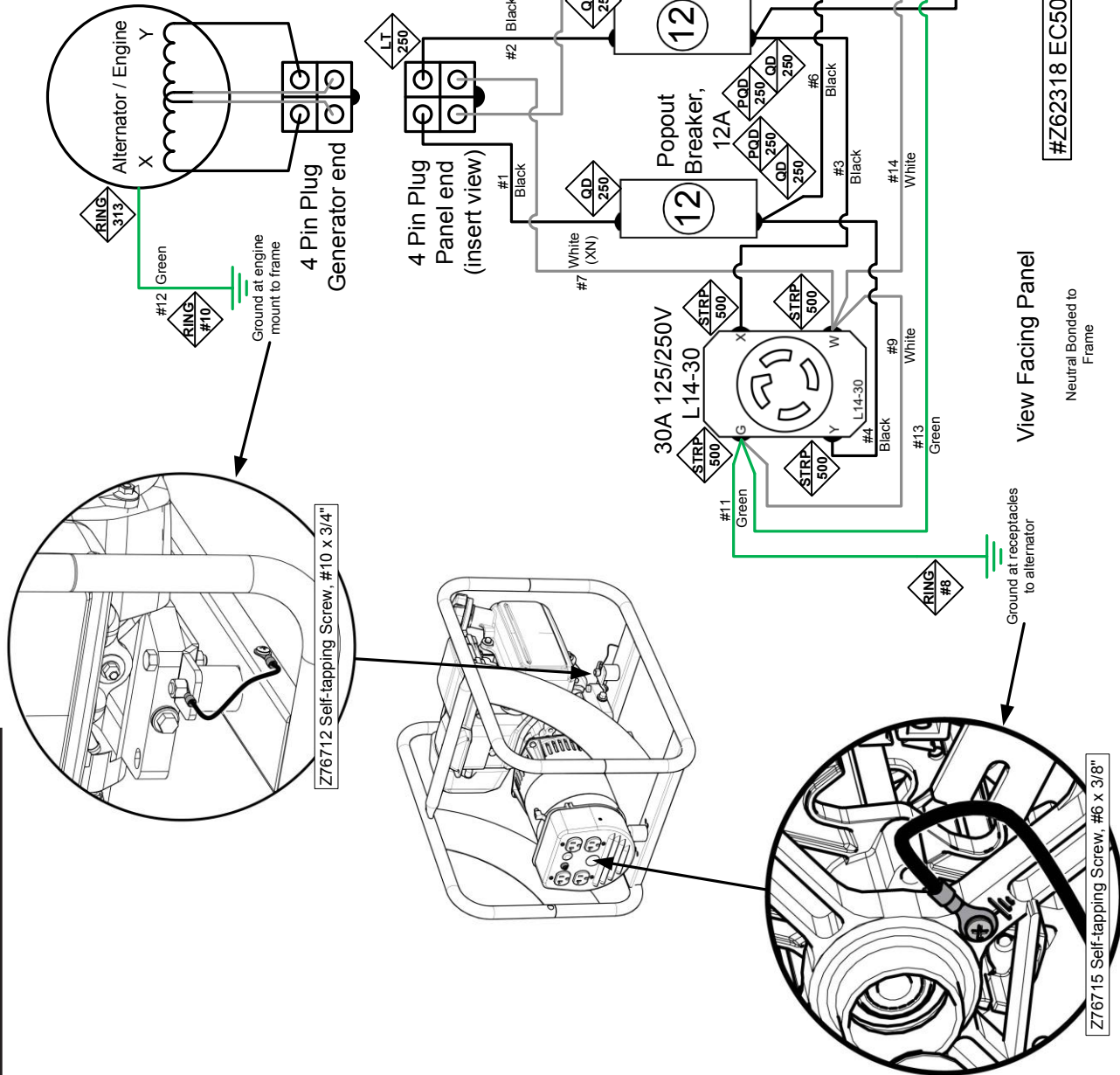
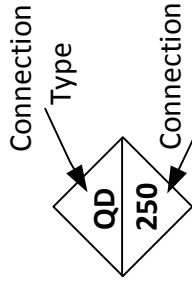
End Cap Assembly



BOM ID	Part Number	Description	Qty
1	0391802005	Plastic Cap	1
2	GES16COVER1	Terminal Box Lid	1
3	Z62602	Thermal Breaker, 12A	2
4	Z63403	Recp., 30A 125/250V L14-30	1
5	Z63406	Recp., 20A 125V 5-20R	1
6	Z78304	Machine Screw, #6NC x 3/8"	4

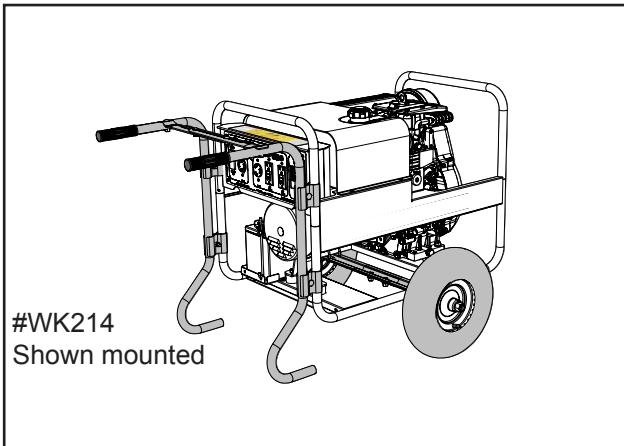
Wiring Diagram

Connection Identification	
Connection Type	Sizes:
QD Male/Female Quick Disconnect	#6
SR Serrated Ring	#8
SSP Snap Spade	#10
FQD Flag Quik Disconnect	0.156"
PQD Piggy Back Quik Disconnect	0.250"
STRP Strip	0.313"
SPDE Spade	0.500"
RING Ring	0.625"
HOOK Hook	0.750"
BLT Lock Tab	
LT Lock Tab	




Accessories


Call your dealer for pricing and availability




- #WK210 TWO WHEEL KIT WITH 10" TIRES
- #WK214 TWO WHEEL KIT WITH 14" TIRES

A must have add on kit for true portability!
 Kit consist of handles and axle with tires The kit is easy to install and simply clamps on to the existing frame.







EC2500



EC2600



EC3300



EC5000

PORTABLE GENERATOR
 MODELS EC2500, EC2600, EC3300
 & EC5000
 OPERATOR'S MANUAL

**#Z97036
 EC2500, EC2600,
 EC3300 & EC5000
 OPERATOR'S MANUAL**

Available as a download at
www.embmfg.com