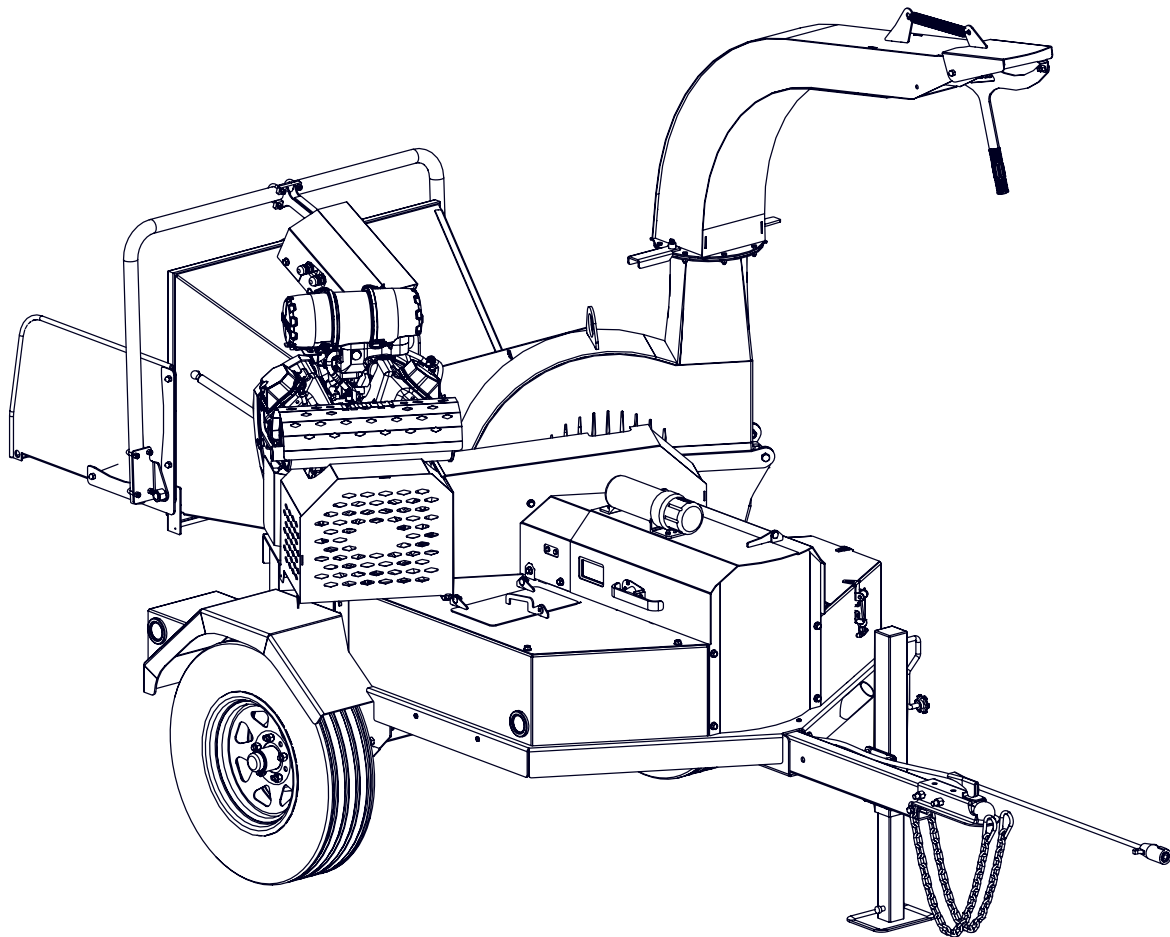




EMB Manufacturing Inc.
4144 Boomer Line · St. Clements, On · N0B 2M0 · Canada
Ph: (519) 699-9283 · Fax: (519) 699-4146
www.wallensteinequipment.com

BXTR6438F & BXTR6438P Chipper Parts Manual

Starting with S/N 2E9US1112FS091241 to
2E9US1110GS091271



Refer to the operators
manual for safe
operation and
maintenance

Foreword

EMB Mfg. has prepared this parts manual to assist customers in ordering quality OEM replacement parts.

Proper and regular service and replacing old, worn or broken parts with the correct OEM parts are essential to prolonging the life of your EMB product. Please refer to this manual before ordering any replacement parts.

All information contained in this parts manual is based on the latest product specification available at the time of printing this manual. If your product differs from the specifications contained within this manual contact EMB Mfg. for information.

EMB reserves the right to alter specifications on their products at any time.

Reproduction of this parts manual of any kind is prohibited without prior written permission from EMB Mfg.

For parts and information please contact your dealer. If your dealer is no longer available please go to our website: <http://www.wallensteinequipment.com> and click on "FIND A DEALER NEAR YOU" for information on a local dealer.

Table of Contents

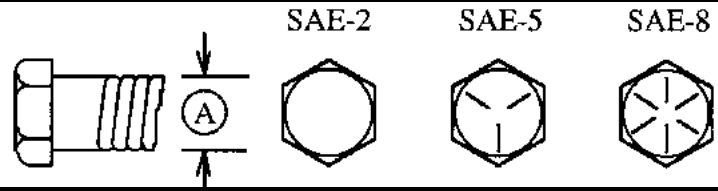
Bolt Torque.....	4
Hydraulic Fitting Torque	5
Wheel Lug Torque	5
Tongue Assembly	6
Main Frame (top view).....	7
Main Frame	8
Main Frame con't (parts list).....	9
Compartment Covers	10
Main Covers	11
Hydraulic Tank.....	12
Fuel Tank	13
Chute	14
Engine & Hydraulic Pump	15
Fluid Coupler Drive	16
Rotor Assembly	17
Rotor Housing.....	18
Roller Feed Hopper.....	19
Feed Handle Control Detail.....	19
Loading Table	20
Upper Roller - Left View.....	21
Upper Roller Arm Assembly.....	22
Roller Hood Assembly	23
Intellifeed Logic Harness #Z62111	24
BXTR6438P Trailer Harness #Z62122.....	24
BXTR6438F Trailer Harness #1062F101	24
Hydraulic Schematic.....	25
Label Layout.....	26
Label Layout.....	27
Label Layout - Grease	28
Accessories.....	29

Bolt Torque

CHECKING BOLT TORQUE

The tables shown below give correct torque values for various bolts and capscrews. Tighten all bolts to the torques specified in chart unless otherwise noted. Check tightness of bolts periodically, using bolt torque chart as a guide. Replace hardware with the same strength bolt.

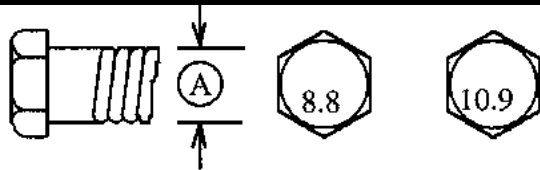
ENGLISH TORQUE SPECIFICATIONS						
Bolt Diameter "A"	Bolt Torque*					
	SAE 2 (N.m) (lb-ft)		SAE 5 (N.m) (lb-ft)		SAE 8 (N.m) (lb-ft)	
1/4"	8	6	12	9	17	12
5/16"	13	10	25	19	36	27
3/8"	27	20	45	33	63	45
7/16"	41	30	72	53	100	75
1/2"	61	45	110	80	155	115
9/16"	95	60	155	115	220	165
5/8"	128	95	215	160	305	220
3/4"	225	165	390	290	540	400
7/8"	230	170	570	420	880	650
1"	345	225	850	630	1320	970



Torque figures indicated above are valid for non-greased or non-oiled threads and heads unless otherwise specified. Therefore, do not grease or oil bolts or capscrews unless otherwise specified in this manual. When using locking elements, increase torque values by 5%.

* Torque value for bolts and capscrews are identified by their head markings.

METRIC TORQUE SPECIFICATIONS				
Bolt Diameter "A"	Bolt Torque*			
	8.8 (N.m) (lb-ft)		10.9 (N.m) (lb-ft)	
M3	0.5	0.4	1.8	1.3
M4	3	2.2	4.5	3.3
M5	6	4	9	7
M6	10	7	15	11
M8	25	18	35	26
M10	50	37	70	52
M12	90	66	125	92
M14	140	103	200	148
M16	225	166	310	229
M20	435	321	610	450
M24	750	553	1050	774
M30	1495	1103	2100	1550
M36	2600	1917	3675	2710



Hydraulic Fitting Torque

Tightening Flare Type Tube Fittings *

1. Check flare and flare seat for defects that might cause leakage.
2. Align tube with fitting before tightening.
3. Lubricate connection and hand tighten swivel nut until snug.
4. To prevent twisting the tube(s), use two wrenches. Place one wrench on the connector body and with the second tighten the swivel nut to the torque shown.

Tube Size OD (in.)	Nut Size Across Flats (in.)	Torque Value*		Recommended Turns To Tighten (After Finger Tightening)	
		(N.m)	(lb-ft)	(Flats)	(Turn)
3/16	7/16	8	6	1	1/6
1/4	9/16	12	9	1	1/6
5/16	5/8	16	12	1	1/6
3/8	11/16	24	18	1	1/6
1/2	7/8	46	34	1	1/6
5/8	1	62	46	1	1/6
3/4	1-1/4	102	75	3/4	1/8
7/8	1-3/8	122	90	3/4	1/8

The torque values shown are based on lubricated connections as in reassembly.

Wheel Lug Torque

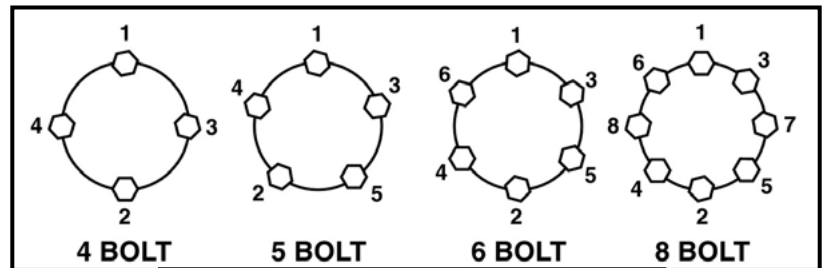
It is extremely important safety procedure to apply and maintain proper wheel mounting torque on your trailer axle. Torque wrenches are the best method to assure the proper amount of torque is being applied to a fastener.

Wheel lugs should be torqued before first road use and after each wheel removal. Check and re torque after the first 16Km (10 miles), 40Km (25 miles), and again at 80Km (50 miles). Check periodically thereafter.

Note: Wheel lugs must be applied and maintained at the proper torque levels to prevent loose wheels, broken studs, and possible dangerous separation of wheels from your axle.

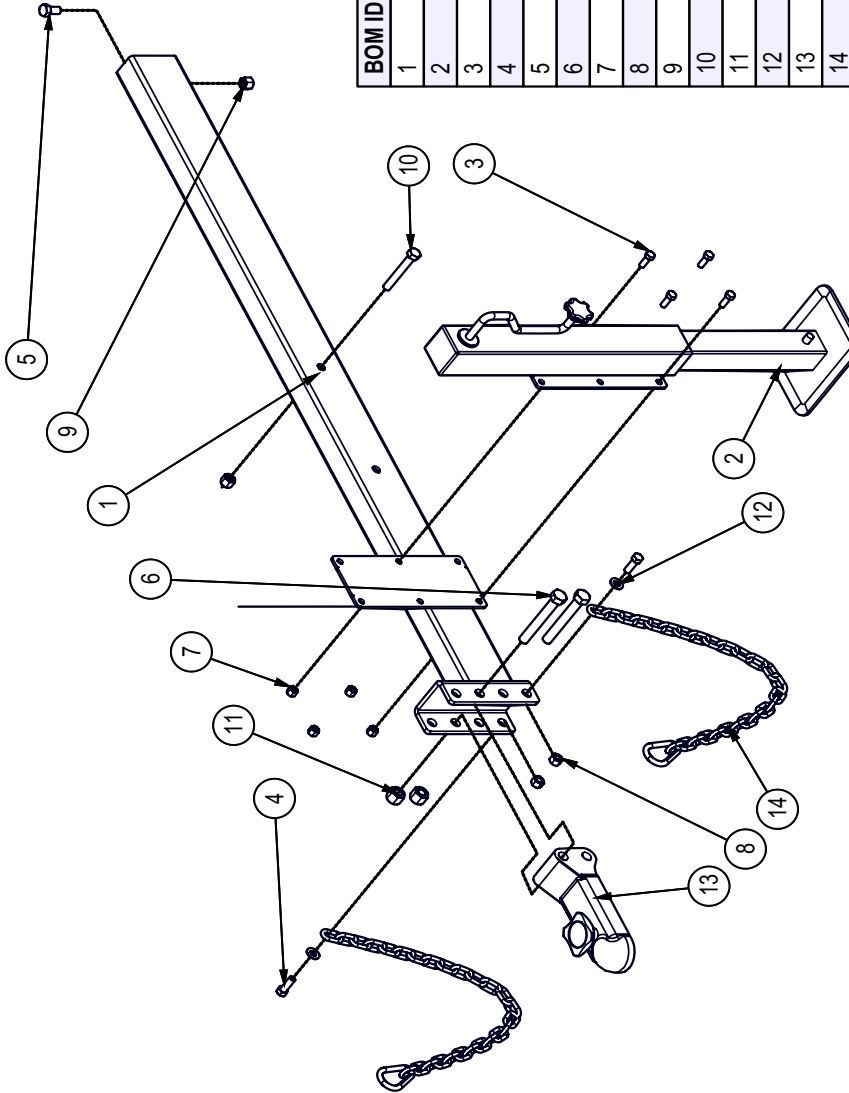
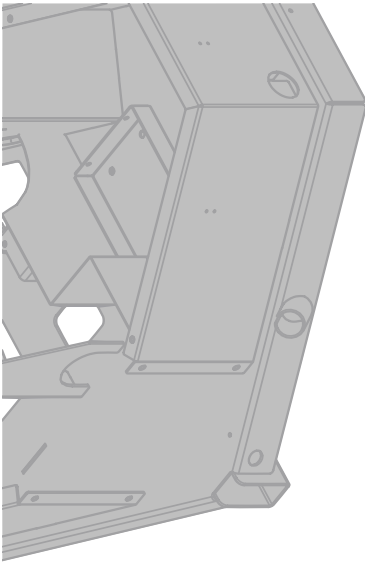
- Start all lugs by hand to prevent cross threading.
- Tighten lugs in sequence, per wheel lug torque sequence chart.
- The tightening of the fasteners should be done in stages. Following the recommended sequence, tighten fasteners per wheel torque requirements chart.

Wheel Torque Requirements				
Wheel Size	Torque Unit	1st Stage	2nd Stage	3rd Stage
8"	ft-lbs	12 - 20	30 - 35	45 - 55
	Nm	16 - 26	39 - 45.5	58.5 - 71.5
12"	ft-lbs	20 - 25	35 - 40	50 - 60
	Nm	26 - 32.5	45.5 - 52	65 - 78
13"	ft-lbs	20 - 25	35 - 40	50 - 60
	Nm	26 - 32.5	45.5 - 52	65 - 78
14"	ft-lbs	20 - 25	50 - 60	90 - 120
	Nm	26 - 32.5	65 - 78	117 - 156
15"	ft-lbs	20 - 25	50 - 60	90 - 120
	Nm	26 - 32.5	65 - 78	117 - 156
16"	ft-lbs	20 - 25	50 - 60	90 - 120
	Nm	26 - 32.5	65 - 78	117 - 156



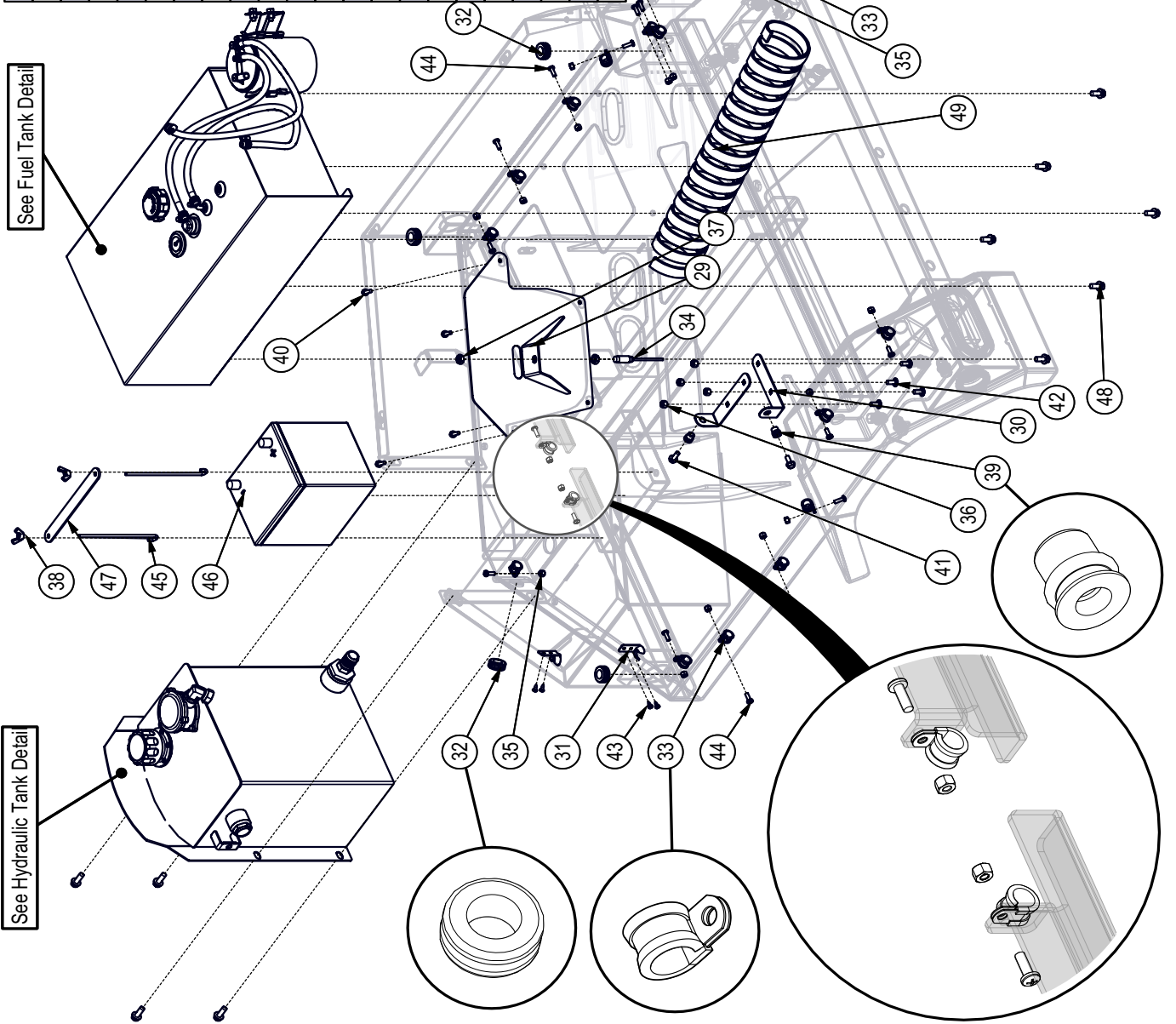
Wheel Lug Torque Sequence

Tongue Assembly

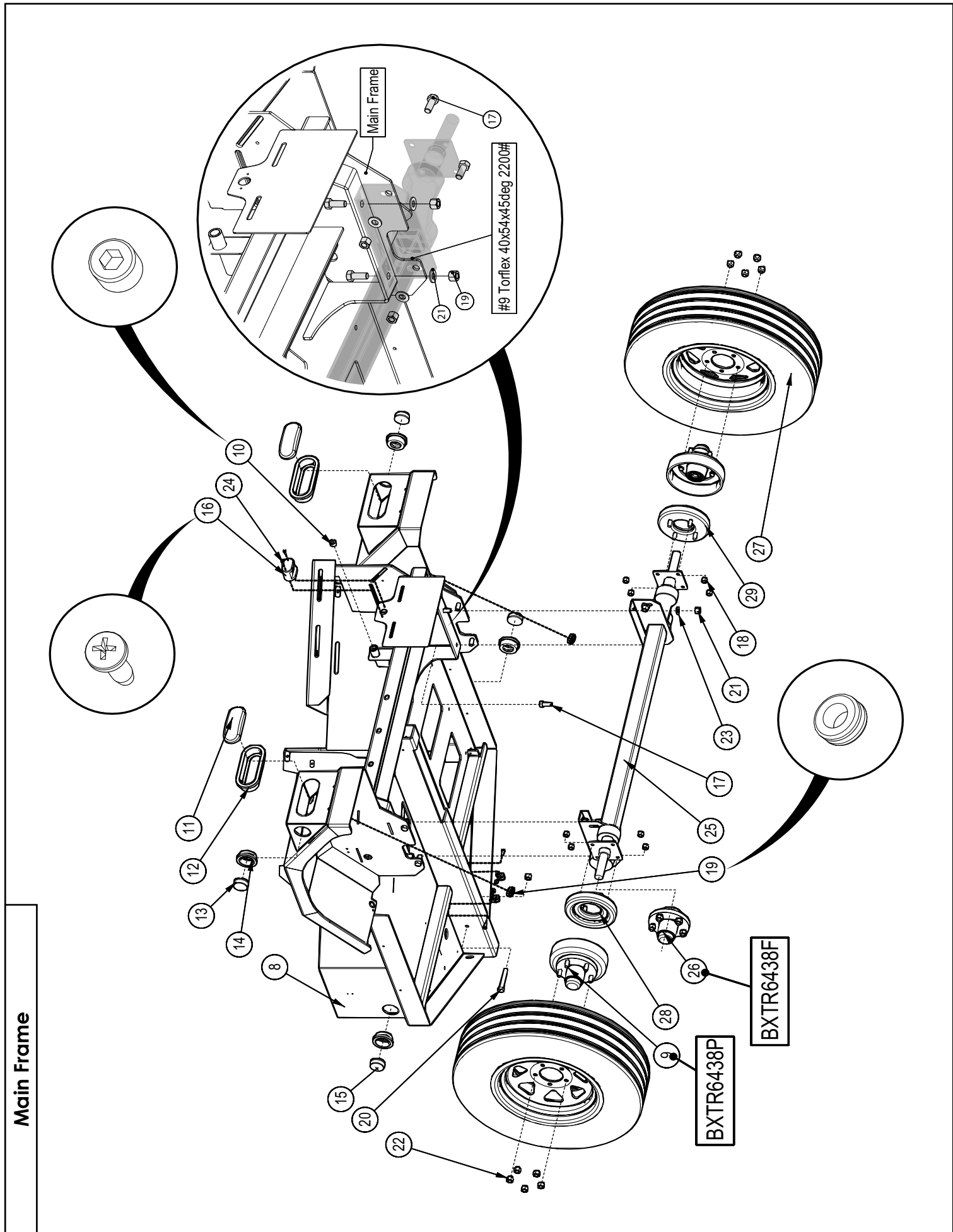


BOM ID	Part No.	Description	Qty
1	1062W520	Tongue Weldment	1
2	1082W503	Jack Weldment for 1082A502	1
3	Z71310	Hex Bolt, 3/8NC x 1"	4
4	Z71412	Hex Bolt, 7/16NC x 1-1/4"	2
5	Z71510	Hex Bolt, 1/2NC x 1"	1
6	Z71645	Hex Bolt, 5/8NC x 4-1/2"	2
7	Z72231	Hex Lock Nut, 3/8NC	4
8	Z72241	Hex Lock Nut, 7/16NC	2
9	Z72251	Hex Lock Nut, 1/2NC	2
10	Z71535	Hex Bolt, 1/2NC x 3-1/2"	1
11	Z72261	Hex Lock Nut, 5/8NC	2
12	Z73142	SAE Washer, 7/16"	2
13	Z91612	Hitch Coupler, 2" Ball x Ladder x 7000lbs	1
14	Z92307	Safety Chain, 1/4" x 3ft. with Snap	2

Main Frame (top view)



BOM ID	Description	Description	Qty
29	1054W482	Sensor Mount Weldment	1
30	1062L631	Bridge Guard Mount, Fender	2
31	Z18201-2	Top Bracket	2
32	Z62818	Rubber Grommet 3/4 x 3/16	5
33	Z62819	Rubberized Wire Clamp, 1/2"	17
34	Z66210	IntelliFEED Pickup Sensor with 68" Lead	1
35	Z72211	Hex Lock Nut, 1/4NC	17
36	Z72221	Hex Lock Nut, 5/16NC	4
37	Z72341	Jam Nut, 7/16-14NC	2
38	Z72921	Wing Nut 1/4NF	2
39	Z72956	Riv-Nut 5/16NC x 150	2
40	Z76111	Flange Bolt, 1/4NC x 3/4	4
41	Z76121	Flange Bolt, 5/16NC x 3/4	2
42	Z76221	Carriage Bolt, 5/16NC x 3/4	4
43	Z76711	Self-tapping Screw #10	4
44	Z78301	Machine Screw, 1/4-20NC x 3/4	17
45	Z93202	J-Hook 1/4 x 7	2
46	Z93205	Car Battery, 550CCA	1
47	Z93207	Hold-Down Strap, 1 x 8-1/2	1
48	Z76133	Flange Bolt, 3/8NC x 3/4	6
49	1062F102	Spiral Wrap, 4" x 24"	1



Main Frame

Note: for more information on Dexter axle, hub or brakes, please review the Dexter Complete Service Manual, available for download:

www.dexteraxle.com.

Any maintenance or repairs must be performed by a qualified brake and axle technician

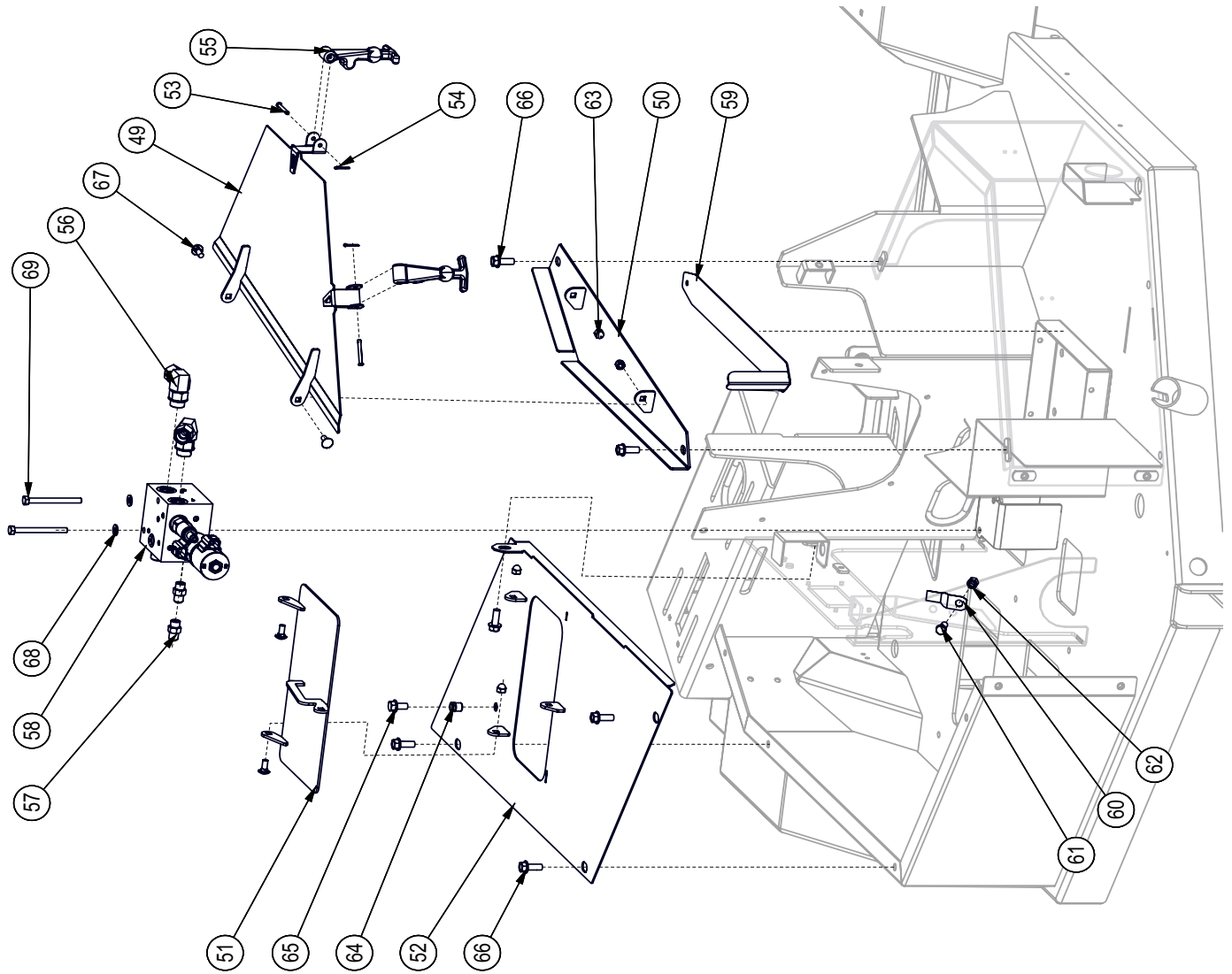
BOM ID	Description	Description	Qty
8	1062W507	Main Frame	1
9	Z91723	1100# Brake Drum 7" Assembly	2
10	Z51192	Socket Plug MP08	1
11	Z61102	Oval Light 2-1/4 x 6-1/4, Red	2
12	Z61103	Oval Grommet 2-1/2 x 6.76	2
13	Z61201	Round Marker Lamp 2" Red	2
14	Z61202	Round Grommet 2" Lamp	4
15	Z61205	Round Marker Lamp 2" Amber	2
16	Z61301	License Lamp	1
17	Z71512	Hex Bolt, 1/2NC x 1-1/4	8
18	Z72242	Hex Lock Nut, 7/16NF	8
19	Z62818	Rubber Grommet 3/4 x 3/16	2
20	Z71535	Hex Bolt, 1/2NC x 3-1/2	1
21	Z72251	Hex Lock Nut, 1/2NC	9
22	Z72931	Lug Nut, 1/2NF	10
23	Z73151	Flat Washer, 1/2	8
24	Z76712	Self-tapping Screw #10	2
25	Z91131	Axle-#9 Torflex 2200# w/Brakes	1
25	Z91123	Axle-#9 Torflex 2200#	1
26	Z91204	Complete 1100# 5 on 4-1/2 Hub	1
27	Z91317	ST205/75R14 Radial Trail	2
28	Z91703	Electric Brake, 1-1/4 x 7 LH	1
29	Z91724	Electric Brake, 1-1/4 x 7 RH	1

BXTR6438P

BXTR6438F

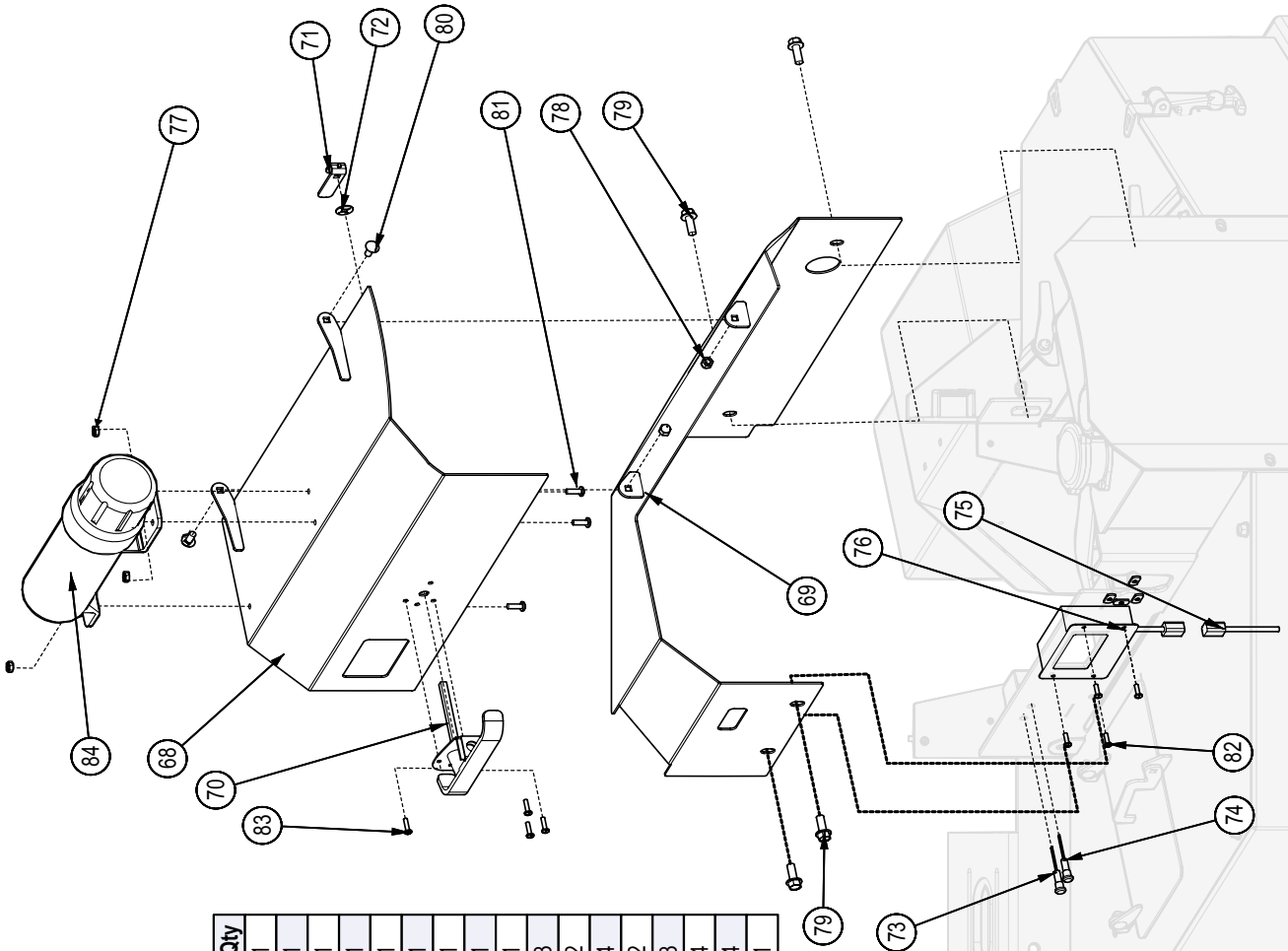
Main Frame con't (parts list)

Compartment Covers



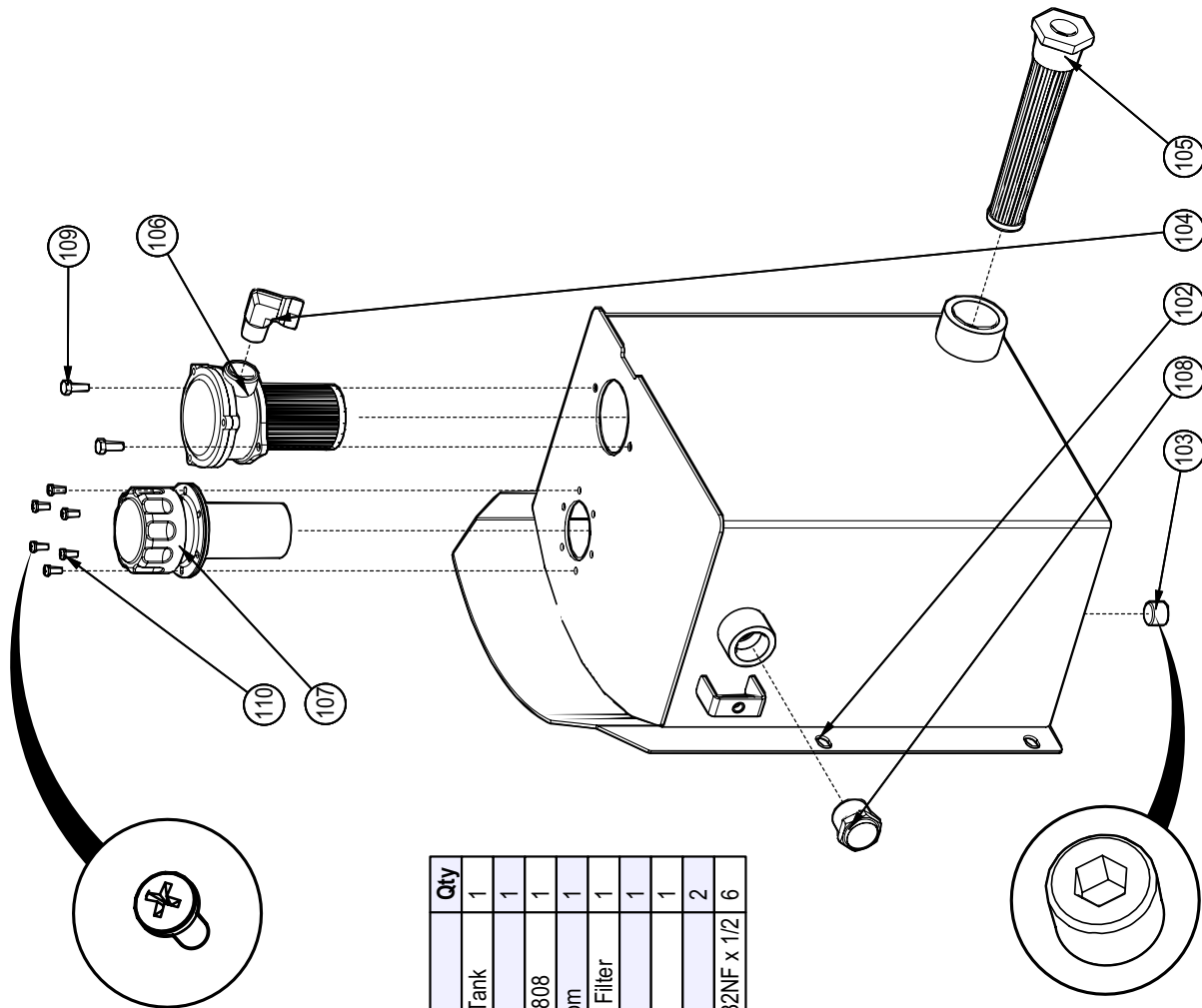
BOM ID	Part No.	Description	Qty
49	1054W474	Weldment, Toolbox Lid	1
50	1054W475	Base, Toolbox Lid	1
51	1054W476	Cap. Fuel	1
52	1062W519	Lid, Gas Tank Compartment	1
53	Z11300	Clevis Pin 3/16 x 1-3/8	2
54	Z12300	Cotter Pin 3/32 X 3/4	2
55	Z18201-3	Hood Fastener, Latch Strap	2
56	Z51383	Elbow 90, MORB x FPX 0808	2
57	Z51641	Straight, MJIC x MORB 0606	2
58	Z56508	Single Spool Valve, OC Tandem PROPSOL x 6GPM	1
59	1012L269	Gauge, Ledger Setting	1
60	Z62816	Deutsch Mounting Clip	1
61	Z71310	Hex Bolt, 3/8NC x 1"	1
62	Z72231	Hex Lock Nut, 3/8NC	1
63	Z72914	Acorn Nut, 5/16NC	4
64	Z72958	Rivet Nut, 3/8NC x 150	1
65	Z76133	Flange Bolt, 3/8NC x 3/4"	1
66	Z76134	Flange Bolt, 3/8NC x 1"	6
67	Z76221	Carriage Bolt, 5/16NC x 3/4"	4
68	Z73122	SAE Washer, 5/16"	2
69	Z71235	Hex Bolt, 5/16NC x 3-1/2"	2

Main Covers

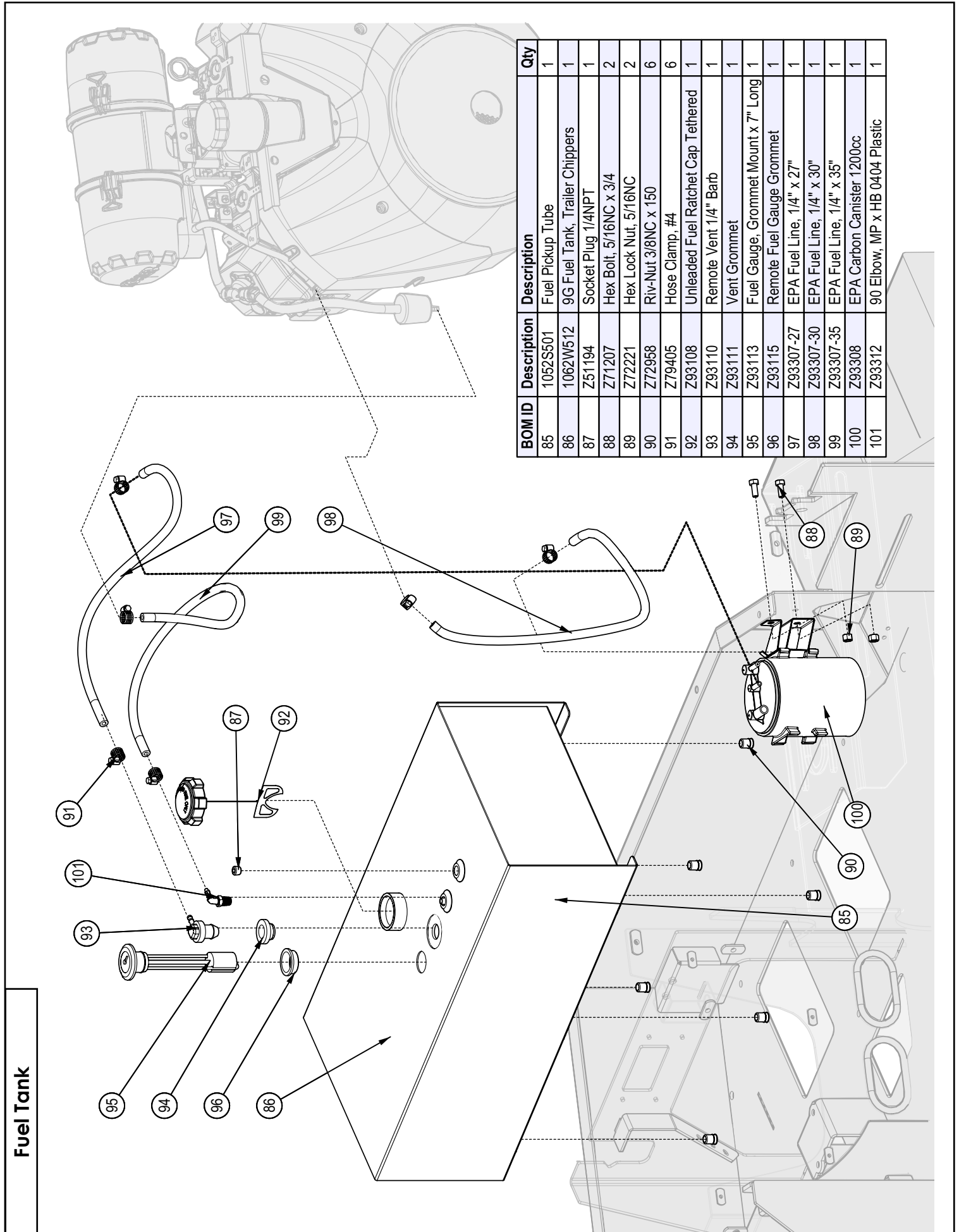


BOM ID	Description	Description	Qty
68	1054W472	Weldment, Cowl Lid	1
69	1054W473	Base, Cowl	1
70	Z18203	Handle, Padlockable	1
71	Z18204	Cam, 5/16	1
72	Z18205	Tinnerman Nut, 5/16	1
73	Z61304	Indicator Light, 10mm Green	1
74	Z61305	Indicator Light, 10mm Red	1
75	Z62111	BXTR6438 Logic Harness	1
76	Z66204	Control, INTELLIFEED	1
77	Z72771	Machine Nut, 1/4NC	3
78	Z72914	Acorn Nut, 5/16NC	2
79	Z76134	Flange Bolt, 3/8NC x 1	4
80	Z76221	Carriage Bolt, 5/16NC x 3/4	2
81	Z78301	Machine Screw, 1/4-20NC x 3/4	3
82	Z78312	Machine Screw, #10-24NC x 5/8	4
83	Z78302	Machine Screw, #10NF x 3/8	4
84	Z96503	Manual Tube 3-1/2 Short	1

Hydraulic Tank



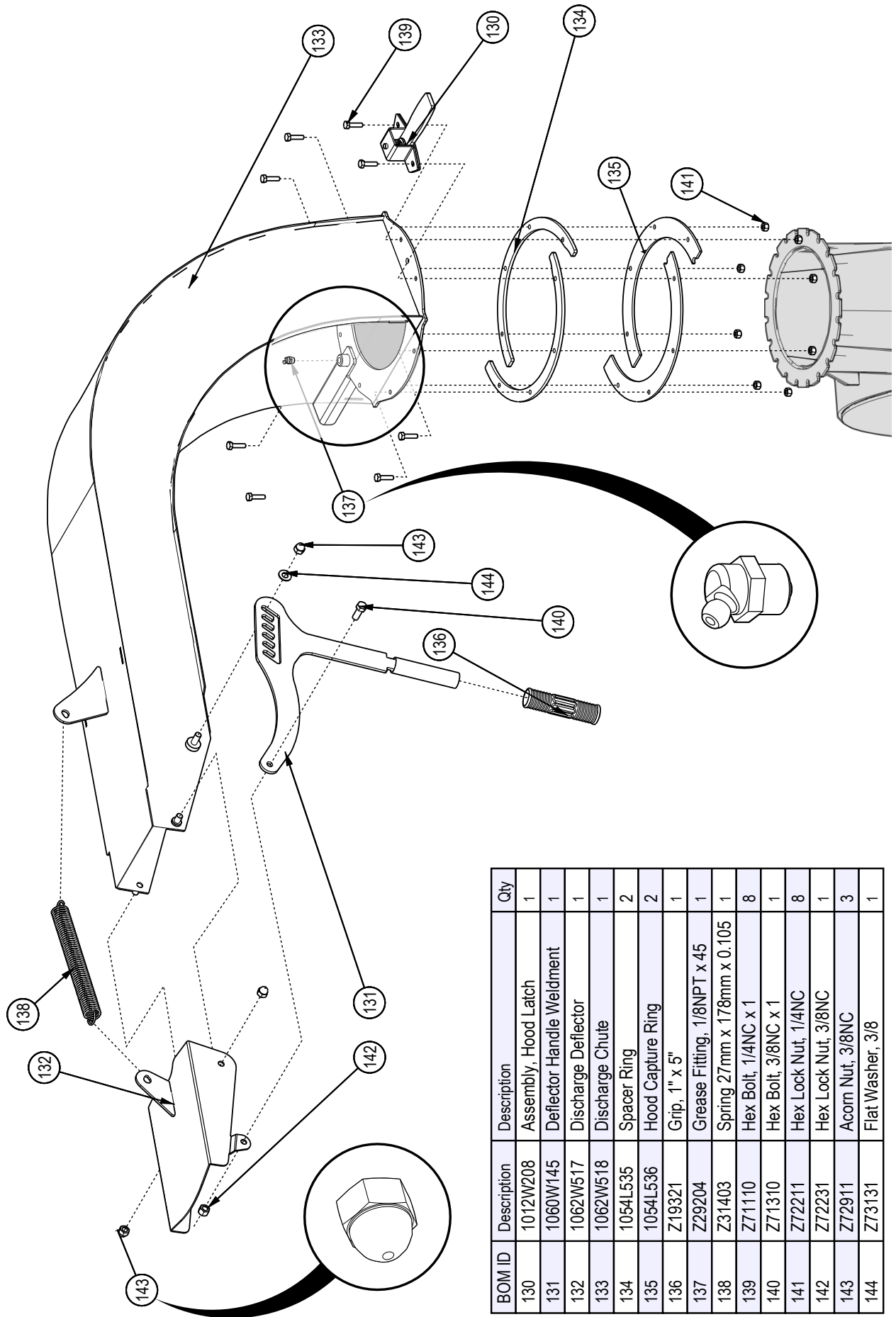
BOM ID	Description	Description	Qty
102	1062W511	Weldment, Hydraulic Tank	1
103	Z51192	Socket Plug MP08	1
104	Z51331	Elbow 90 MP x FPX 0808	1
105	Z55101	Suction Strainer, 10gpm	1
106	Z55201	Tank Mounted Return Filter	1
107	Z55401	Breather Filler Cap	1
108	Z55901	Site Glass 1NPT	1
109	Z71107	Hex Bolt, 1/4NC x 3/4	2
110	Z78303	Machine Screw, #10-32NF x 1/2	6



BOM ID	Description	Description	Qty
85	1052S501	Fuel Pickup Tube	1
86	1062W512	9G Fuel Tank, Trailer Chippers	1
87	Z51194	Socket Plug 1/4NPT	1
88	Z71207	Hex Bolt, 5/16NC x 3/4	2
89	Z72221	Hex Lock Nut, 5/16NC	2
90	Z72958	Riv-Nut 3/8NC x 150	6
91	Z79405	Hose Clamp, #4	6
92	Z93108	Unleaded Fuel Ratchet Cap Tethered	1
93	Z93110	Remote Vent 1/4" Barb	1
94	Z93111	Vent Grommet	1
95	Z93113	Fuel Gauge, Grommet Mount x 7" Long	1
96	Z93115	Remote Fuel Gauge Grommet	1
97	Z93307-27	EPA Fuel Line, 1/4" x 27"	1
98	Z93307-30	EPA Fuel Line, 1/4" x 30"	1
99	Z93307-35	EPA Fuel Line, 1/4" x 35"	1
100	Z93308	EPA Carbon Canister 1200cc	1
101	Z93312	90 Elbow, MP x HB 0404 Plastic	1

Fuel Tank

Chute

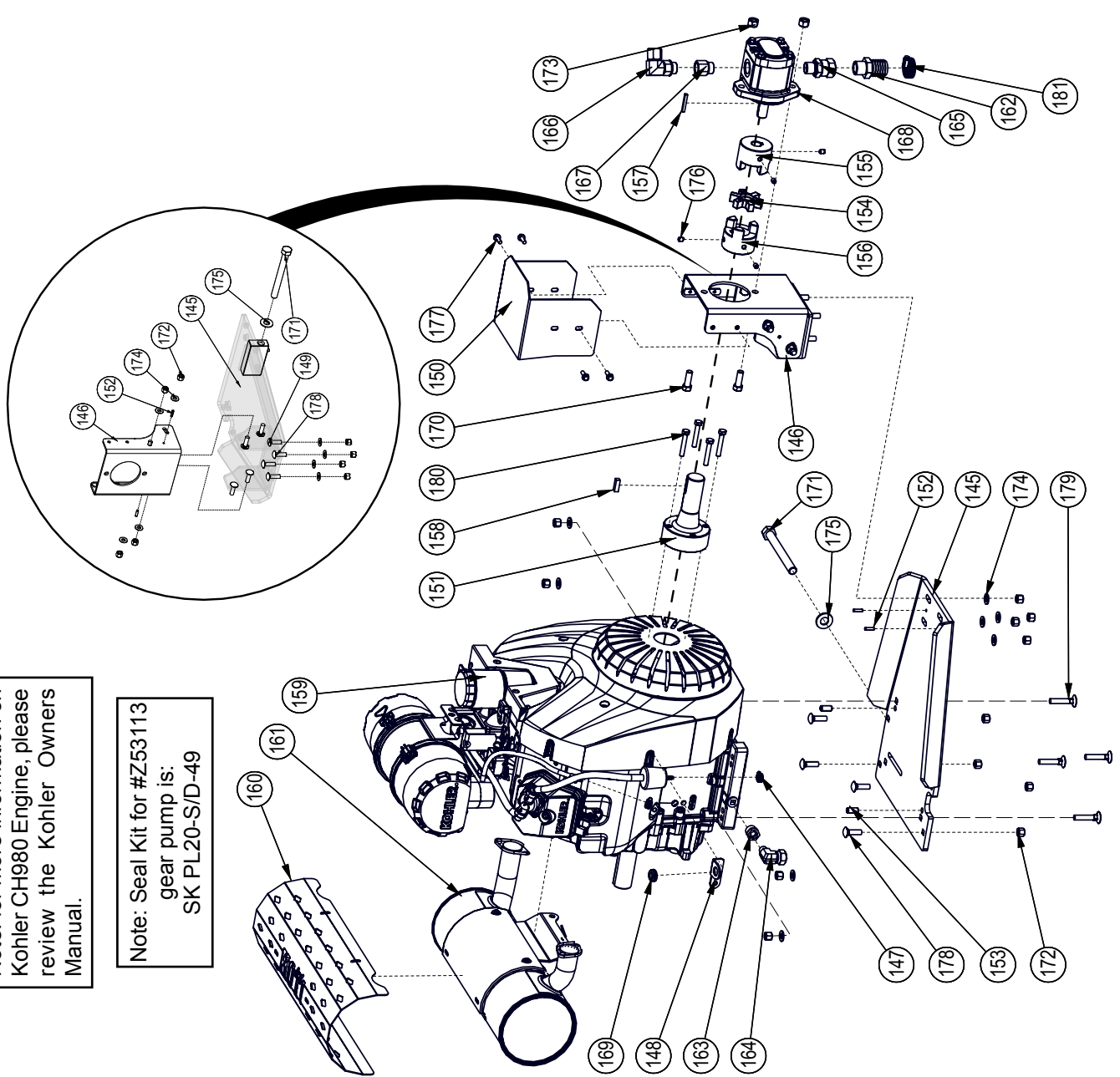


BOM ID	Description	Description	Qty
130	1012W208	Assembly, Hood Latch	1
131	1060W145	Deflector Handle Weldment	1
132	1062W517	Discharge Deflector	1
133	1062W518	Discharge Chute	1
134	1054L535	Spacer Ring	2
135	1054L536	Hood Capture Ring	2
136	Z19321	Grip, 1" x 5"	1
137	Z29204	Grease Fitting, 1/8NPT x 45	1
138	Z31403	Spring 27mm x 178mm x 0.105	1
139	Z71110	Hex Bolt, 1/4NC x 1	8
140	Z71310	Hex Bolt, 3/8NC x 1	1
141	Z72211	Hex Lock Nut, 1/4NC	8
142	Z72231	Hex Lock Nut, 3/8NC	1
143	Z72911	Acorn Nut, 3/8NC	3
144	Z73131	Flat Washer, 3/8	1

Engine & Hydraulic Pump

Note: for more information on Kohler CH980 Engine, please review the Kohler Owners Manual.

Note: Seal Kit for #Z53113 gear pump is: SK PL20-S/D-49



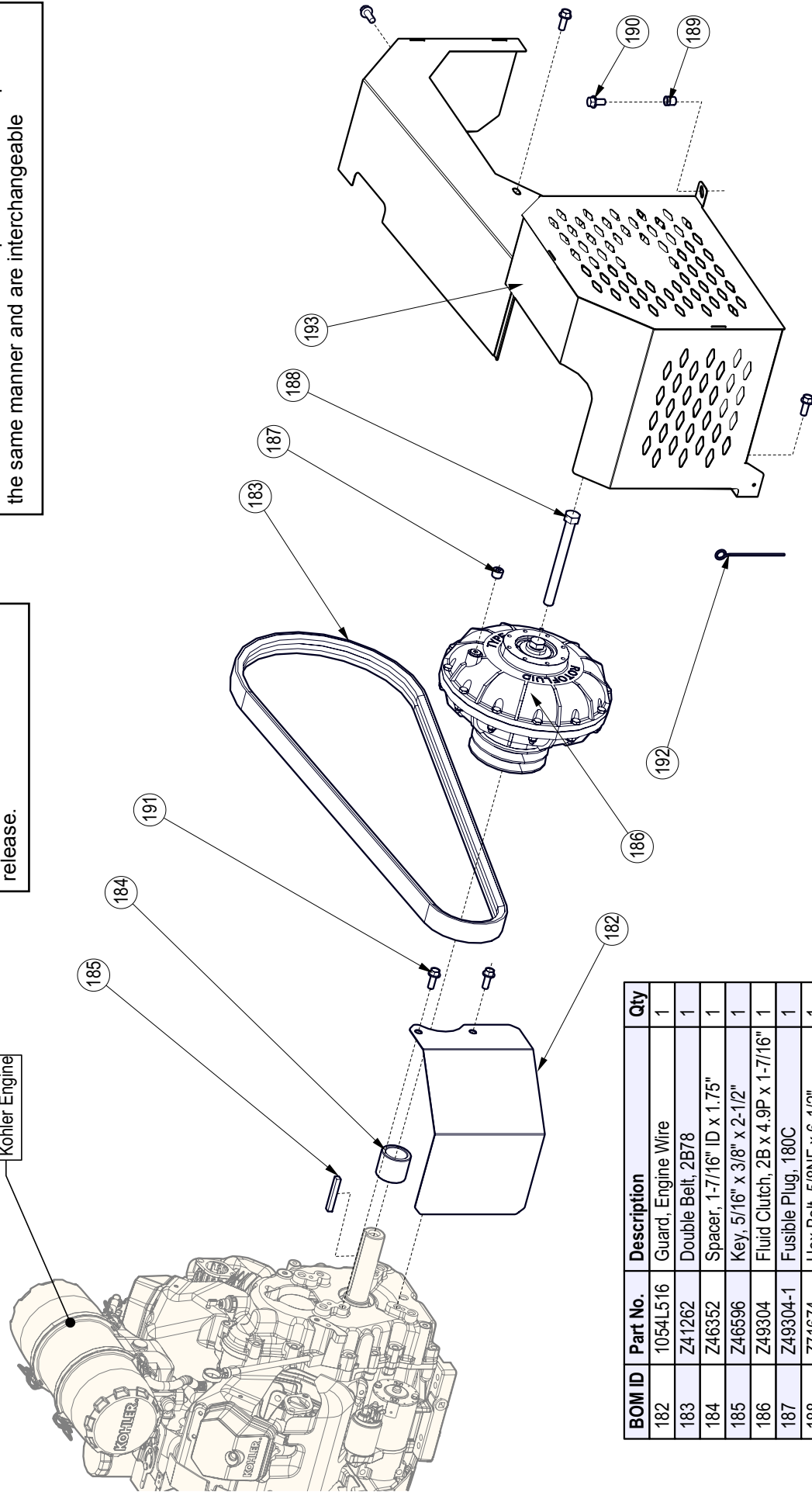
BOM ID	Part No.	Description	Qty
145	1054W490	Engine Adjustment Plate	1
146	1054W491	Pump Mount Weldment	1
147	Z79405	Hose Clamp, SAE #4 (5/8")	2
148	1054L539	Fuel Filter Bracket	1
149	1054L570	Adapter Weldment Plate	1
150	1054L571	Pump Guard	1
151	1054M412	Stub Shaft, Kohler Front	1
152	Z14152	Roll Pin, 3/16" x 3/4"	4
153	Z14301	Roll Pin, 10mm x 22mm	2
154	Z46417	Spider, L100	1
155	Z46424	Shaft Coupling, L100 x 3/4"	1
156	Z46427	Shaft Coupling, L100 x 1-3/8"	1
157	Z46523	Key, 3/16" x 3/16" x 1-1/2"	1
158	Z46542	Key, 5/16" x 5/16" x 1"	1
159	Z47501	Kohler CH980, Electric	1
160	Z47505	Muffler Guard, CH980	1
161	Z47509	Muffler, CH980 w/ Key Side Exhaust	1
162	Z51188	Straight, MHB x MP 1612	1
163	Z51226	Straight, MP x FP 0806	1
164	Z51336	Elbow 90, MP x FPX 0608	1
165	Z51375	Straight, MORB x FPX 1012	1
166	Z51383	Elbow 90, MORB x FPX 0808	1
167	Z51781	Straight, MORB x FORB 1008	1
168	Z53113	Gear Pump, Series 20 x 0.30CIR	1
169	Z62801	Rubber Grommet, 7/16" x 1/8"	1
170	Z71412	Hex Bolt, 7/16NC x 1-1/4"	2
171	Z71660	Hex Bolt, 5/8NC x 6"	1
172	Z72231	Hex Lock Nut, 3/8NC	15
173	Z72241	Hex Lock Nut, 7/16NC	2
174	Z73131	SAE Washer, 3/8"	12
175	Z73161	SAE Washer, 5/8"	1
176	Z74121	Set Screw, 5/16NC x 3/8"	4
177	Z76111	Flange Bolt, 1/4NC x 3/4"	4
178	Z76232	Carriage Bolt, 3/8NC x 1-1/4"	12
179	Z76632	Plow Bolt, 3/8NC x 2"	4
180	Z77154	Hex Bolt, M8x1.25 x 50mm	4
181	Z79401	Hose Clamp, SAE #16 (1-1/2")	1

Fluid Coupler Drive

Kohler Engine

Caution: Potential for hot oil injury with fluid coupler release.

Note: Some units may be equipped with a Z49303 Transfluid 9KSDF Fluid Coupler. Both units operate in the same manner and are interchangeable



BOM ID	Part No.	Description	Qty
182	1054L516	Guard, Engine Wire	1
183	Z41262	Double Belt, 2B78	1
184	Z46352	Spacer, 1-7/16" ID x 1.75"	1
185	Z46596	Key, 5/16" x 3/8" x 2-1/2"	1
186	Z49304	Fluid Clutch, 2B x 4.9P x 1-7/16"	1
187	Z49304-1	Fusible Plug, 180C	1
188	Z71674	Hex Bolt, 5/8NF x 6-1/2"	1
189	Z72958	Rivet Nut, 3/8NC x 150	1
190	Z76133	Flange Bolt, 3/8NC x 3/4"	1
191	Z76134	Flange Bolt, 3/8NC x 1"	5
192	Z92108	Aircraft Cable, 1/8" x 36"	1
193	1082W510	Guard, Belt	1

Note: for more information on Z49303 Transfluid 9KSDF Fluid Coupler, please review the Transfluid Installation and Maintenance Manual.

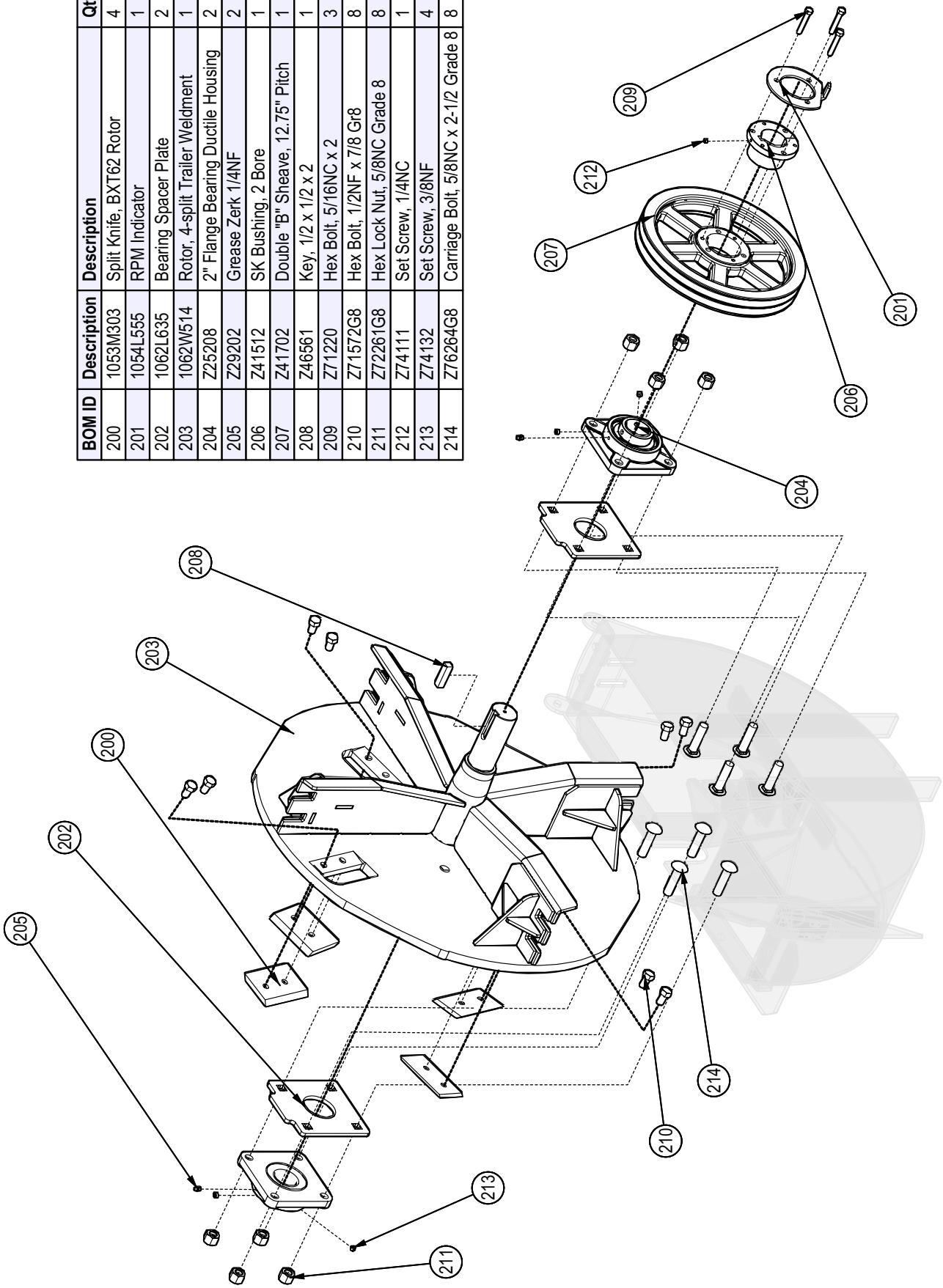
Note: for more information on Z49304 Roto-Fluid Fluid Coupler, please review the Roto-fluid Installation and Maintenance Manual.

Seal Kit for #Z49303: #107200000183
SEAL KIT, FLUID COUPLING 9KSDF

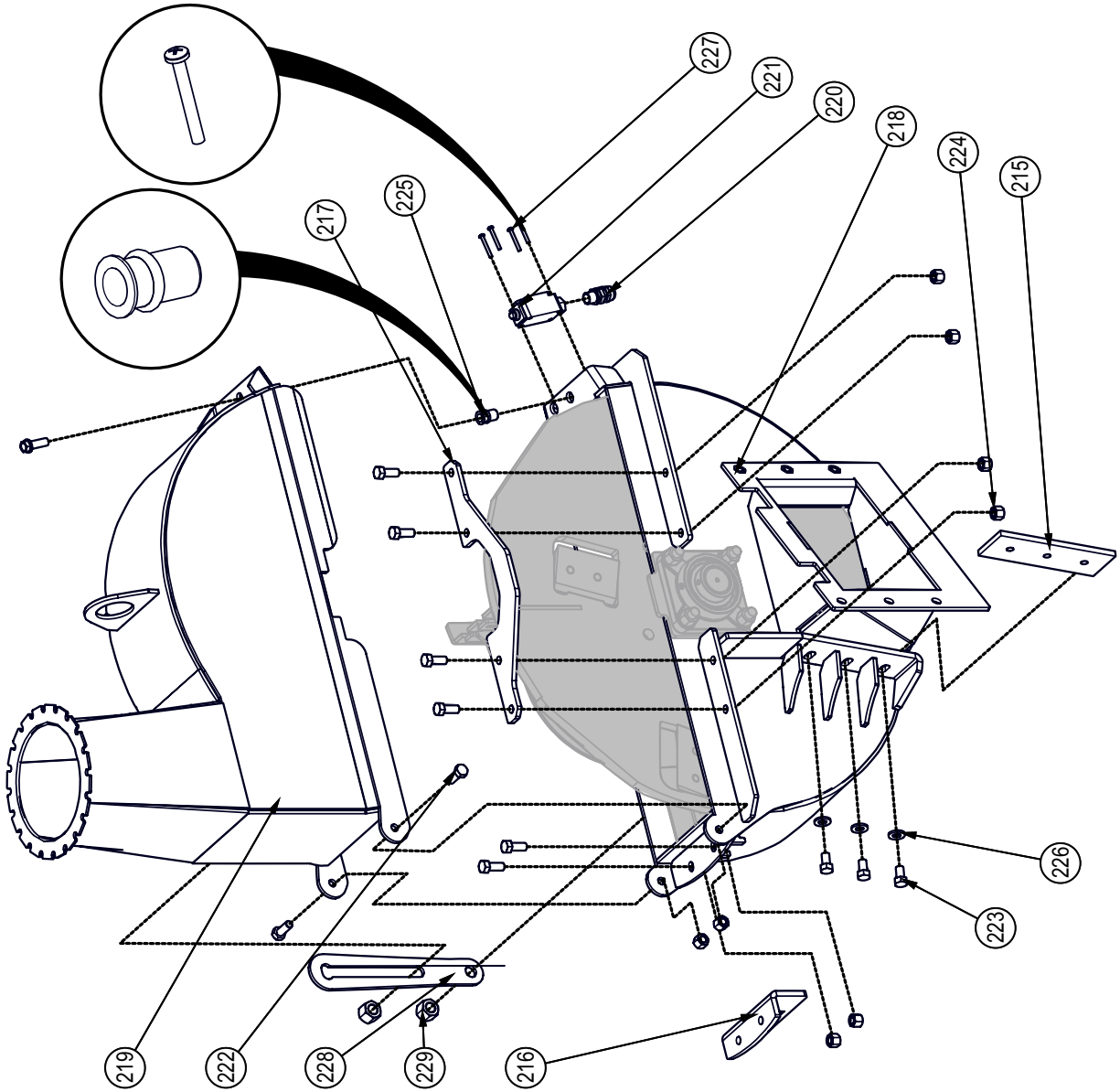
Seal Kit for #Z49304: BE30NJ58/98OSK
SEAL KIT, FLUID COUPLING ROTOFLUID

Rotor Assembly

BOM ID	Description	Description	Qty
200	1053M303	Split Knife, BX T62 Rotor	4
201	1054L555	RPM Indicator	1
202	1062L635	Bearing Spacer Plate	2
203	1062W514	Rotor, 4-split Trailer Weldment	1
204	Z25208	2" Flange Bearing Ductile Housing	2
205	Z29202	Grease Zerk 1/4NF	2
206	Z41512	SK Bushing, 2 Bore	1
207	Z41702	Double "B" Sheave, 12.75" Pitch	1
208	Z46561	Key, 1/2 x 1/2 x 2	1
209	Z71220	Hex Bolt, 5/16NC x 2	3
210	Z71572G8	Hex Bolt, 1/2NF x 7/8 Gr8	8
211	Z72261G8	Hex Lock Nut, 5/8NC Grade 8	8
212	Z74111	Set Screw, 1/4NC	1
213	Z74132	Set Screw, 3/8NF	4
214	Z76264G8	Carriage Bolt, 5/8NC x 2-1/2 Grade 8	8



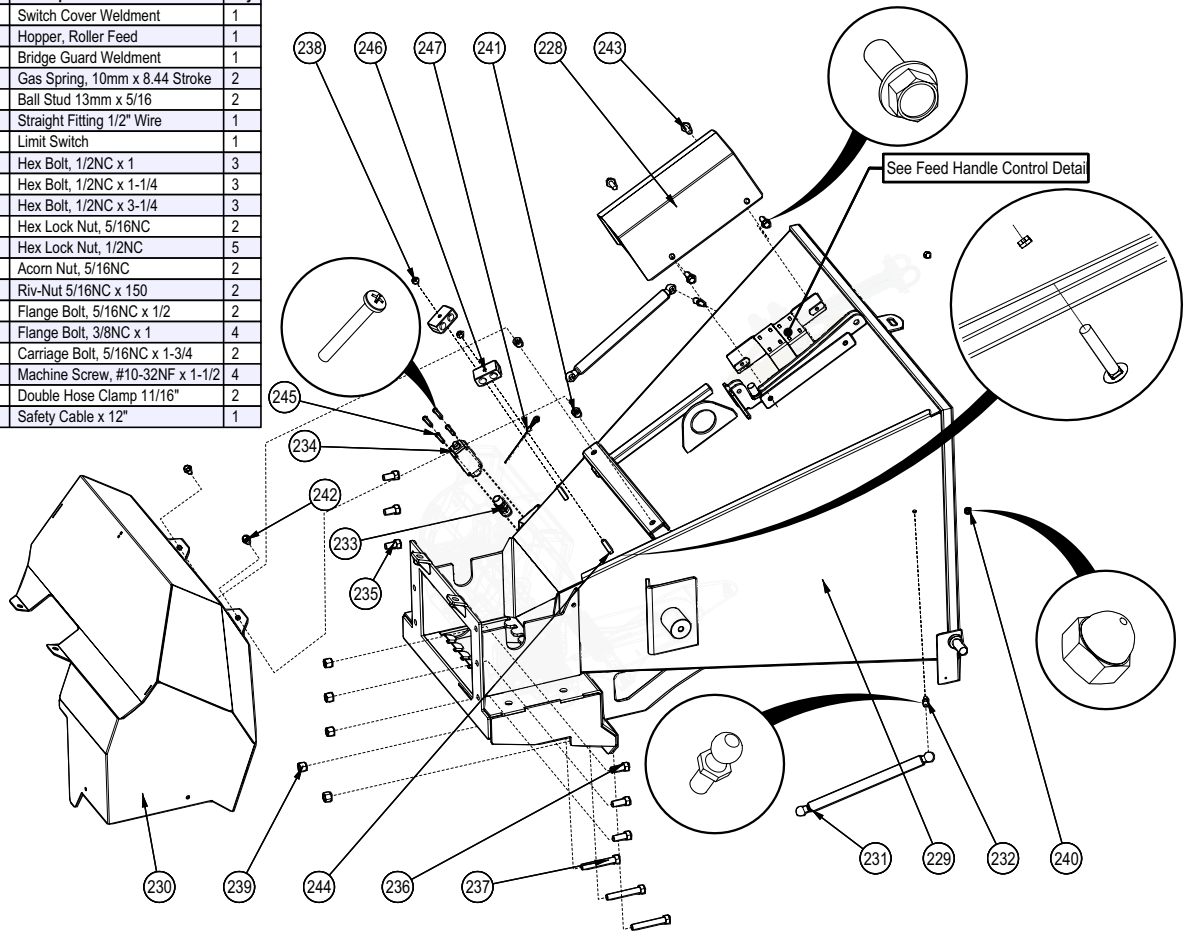
Rotor Housing



BOM ID	Part No.	Description	Qty
215	1012M204	Knife, BX62 Ledger	1
216	1012W204	Twig Breaker	1
217	1062L643	Stiffener Bridge	1
218	1062W513	Housing, Bottom Rotor	1
219	1062W515	Housing, Upper Rotor	1
220	Z62811	Straight Fitting, 1/2" Wire	1
221	Z66107	Limit Switch, Pizzato FD501	1
222	Z71512	Hex Bolt, 1/2NC x 1-1/4"	8
223	Z71572G8	Hex Bolt, 1/2NF x 7/8" G8	3
224	Z72251	Hex Lock Nut, 1/2NC	8
225	Z72961	Rivet Nut, 1/2NC x 350	1
226	Z73151	SAE Washer, 1/2"	3
227	Z78307	Machine Screw, #10NF x 1-1/2"	4
228	1023L155	Rotation Stop	1
229	Z72271	Hex Lock Nut, 3/4NC	2

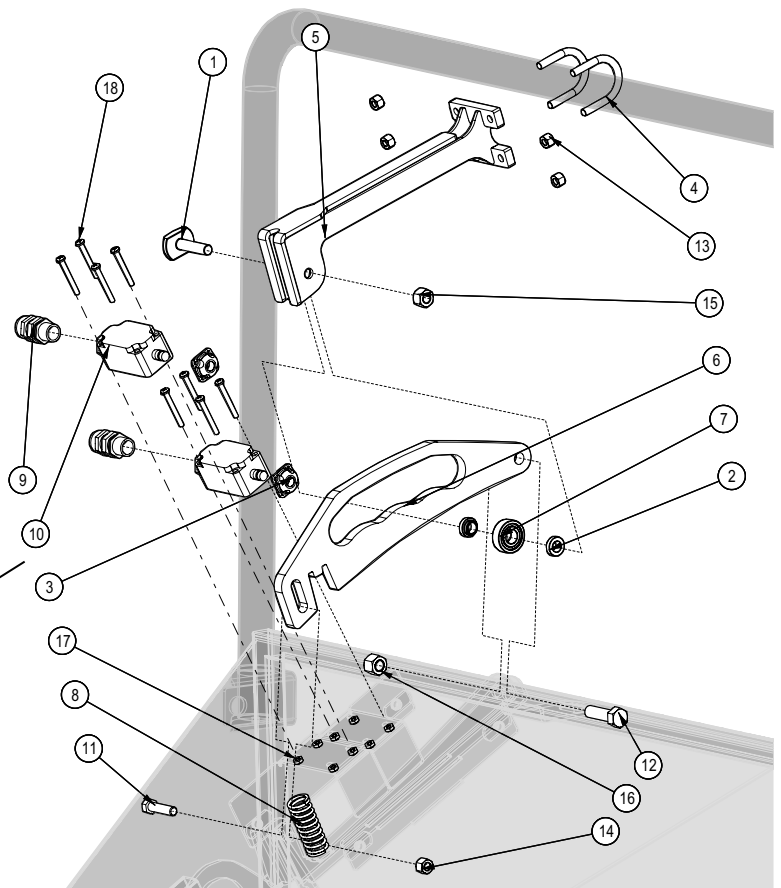
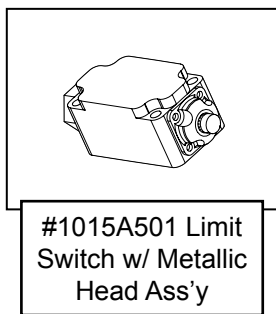
Roller Feed Hopper

BOM ID	Description	Description	Qty
228	1062W115	Switch Cover Weldment	1
229	1062W509	Hopper, Roller Feed	1
230	1062W510	Bridge Guard Weldment	1
231	Z34203	Gas Spring, 10mm x 8.44 Stroke	2
232	Z34204	Ball Stud 13mm x 5/16	2
233	Z62811	Straight Fitting 1/2" Wire	1
234	Z66107	Limit Switch	1
235	Z71510	Hex Bolt, 1/2NC x 1	3
236	Z71512	Hex Bolt, 1/2NC x 1-1/4	3
237	Z71532	Hex Bolt, 1/2NC x 3-1/4	3
238	Z72221	Hex Lock Nut, 5/16NC	2
239	Z72251	Hex Lock Nut, 1/2NC	5
240	Z72914	Acorn Nut, 5/16NC	2
241	Z72956	Riv-Nut 5/16NC x 150	2
242	Z76122	Flange Bolt, 5/16NC x 1/2	2
243	Z76134	Flange Bolt, 3/8NC x 1	4
244	Z76227	Carriage Bolt, 5/16NC x 1-3/4	2
245	Z78307	Machine Screw, #10-32NF x 1-1/2	4
246	Z79463	Double Hose Clamp 11/16"	2
247	Z92114	Safety Cable x 12"	1

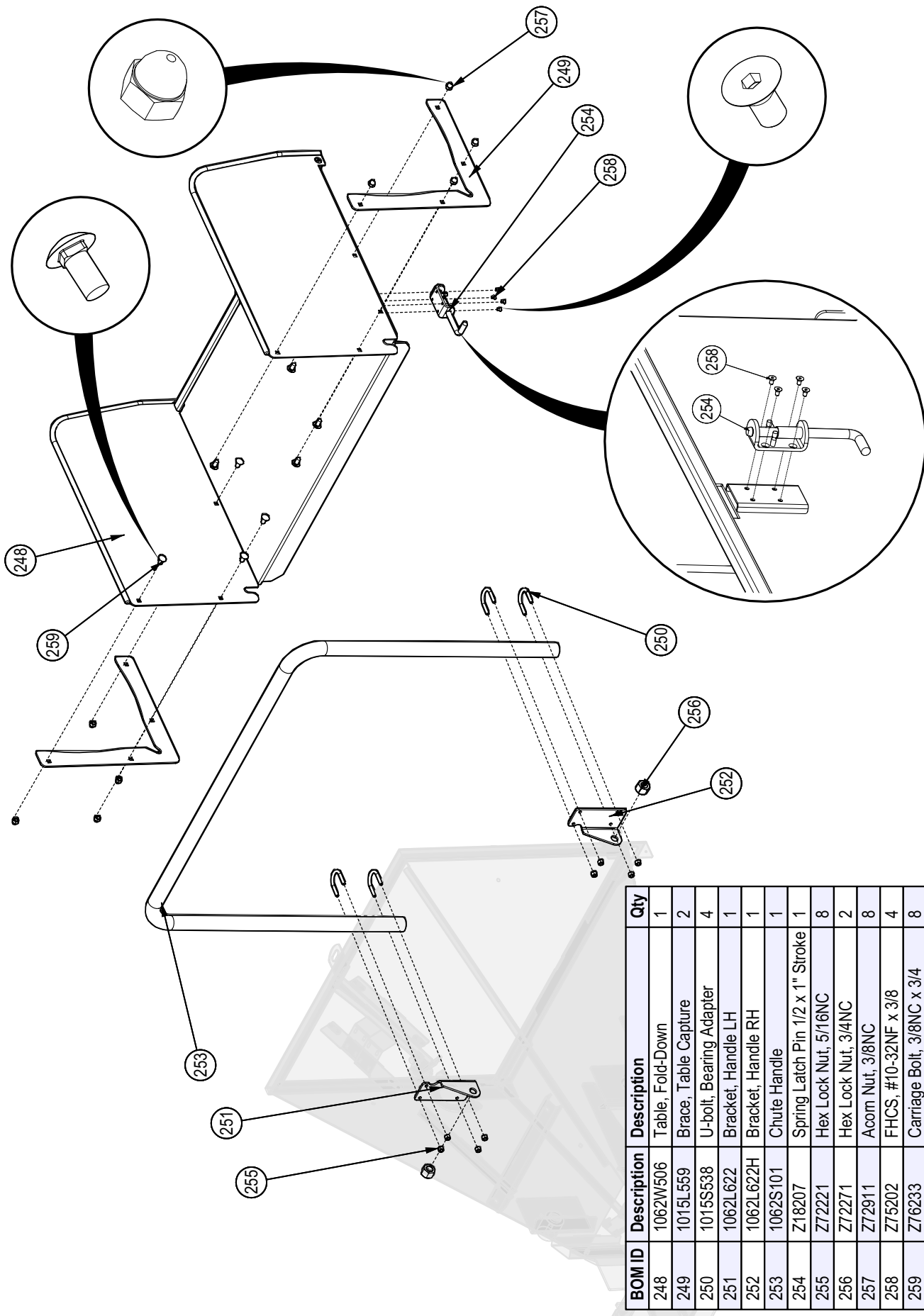


Feed Handle Control Detail

BOM ID	Description	Description	Qty
1	1015M536	Bolt, Indicator Head	1
2	1015M537	Bushing, Bearing	2
3	1015M542	Metallic Switch Head	2
4	1015S538	U-bolt, Bearing Adapter	2
5	1015W517	Bearing Adapter	1
6	1062L607	Detent Bar	1
7	Z21203	Ball Bearing 6202 2RS	1
8	Z32403	Spring 1 x 0.115 x 2-1/2	1
9	Z62811	Straight Fitting 1/2" Wire	2
10	Z66107	Limit Switch	2
11	Z71315	Hex Bolt, 3/8NC x 1-1/2	1
12	Z71517	Hex Bolt, 1/2NC x 1-3/4	1
13	Z72221	Hex Lock Nut, 5/16NC	4
14	Z72231	Hex Lock Nut, 3/8NC	1
15	Z72241	Hex Lock Nut, 7/16NC	1
16	Z72251	Hex Lock Nut, 1/2NC	1
17	Z72752	Machine Nut, #10-32NF	8
18	Z78311	Machine Screw, #10-32NF x 1-3/4	8

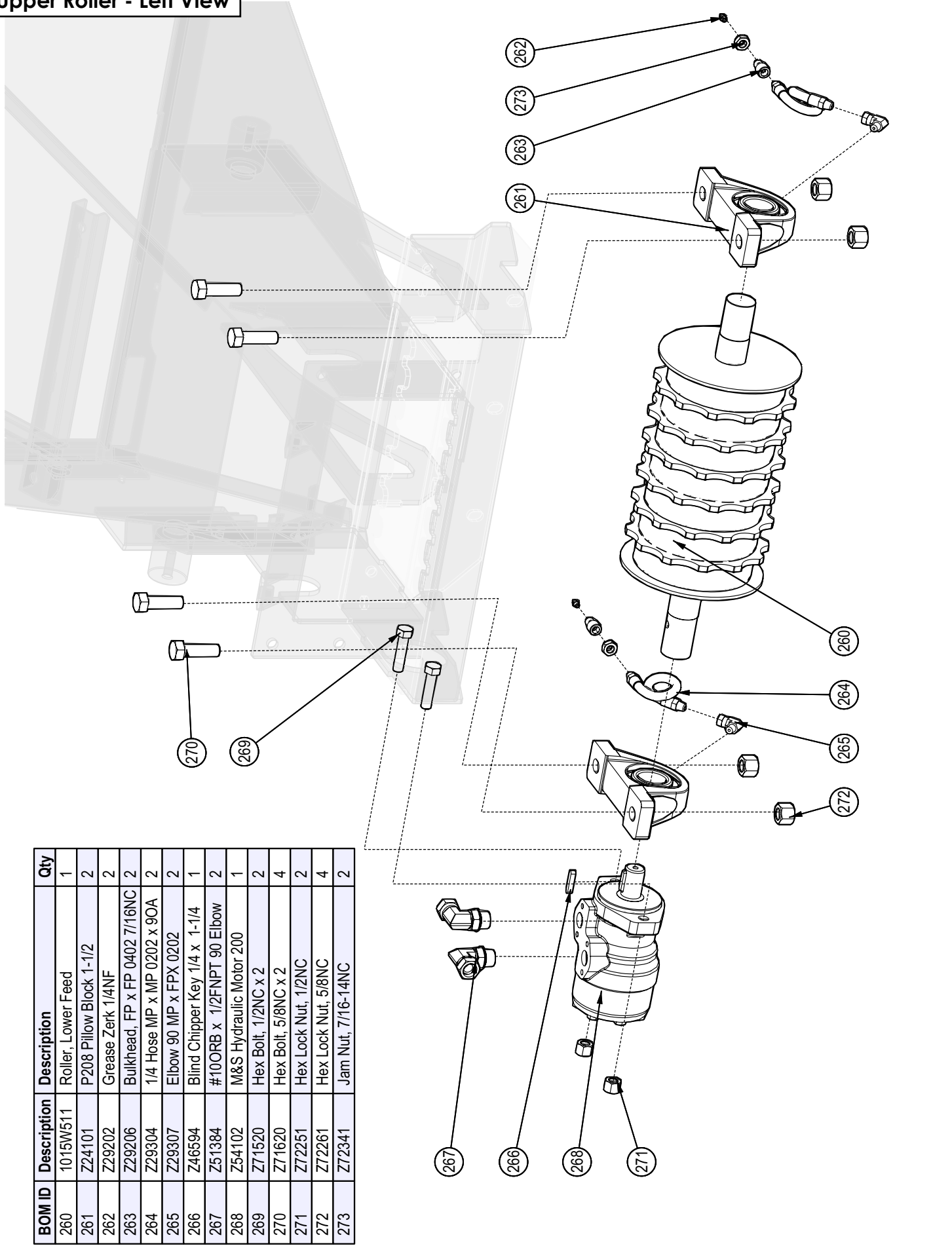


Loading Table



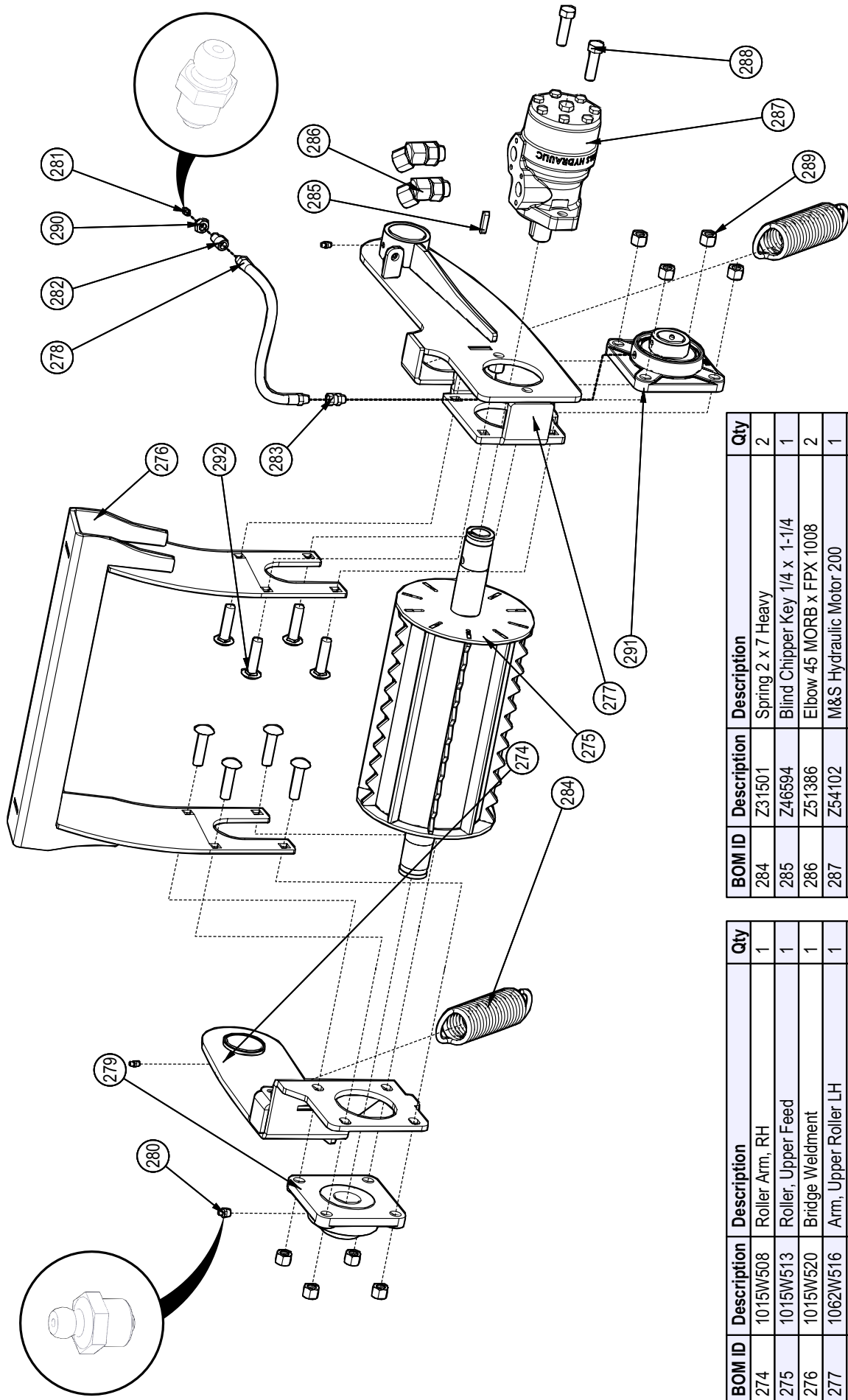
BOM ID	Description	Description	Qty
248	1062W506	Table, Fold-Down	1
249	1015L559	Brace, Table Capture	2
250	1015S538	U-bolt, Bearing Adapter	4
251	1062L622	Bracket, Handle LH	1
252	1062L622H	Bracket, Handle RH	1
253	1062S101	Chute Handle	1
254	Z18207	Spring Latch Pin 1/2 x 1" Stroke	1
255	Z72221	Hex Lock Nut, 5/16NC	8
256	Z72271	Hex Lock Nut, 3/4NC	2
257	Z72911	Acorn Nut, 3/8NC	8
258	Z75202	FHCS, #10-32NF x 3/8	4
259	Z76233	Carriage Bolt, 3/8NC x 3/4	8

Upper Roller - Left View



BOM ID	Description	Description	Qty
260	1015W511	Roller, Lower Feed	1
261	Z24101	P208 Pillow Block 1-1/2	2
262	Z29202	Grease Zerk 1/4NF	2
263	Z29206	Bulkhead, FP x FP 0402 7/16NC	2
264	Z29304	1/4 Hose MP x MP 0202 x 90A	2
265	Z29307	Elbow 90 MP x FPX 0202	2
266	Z46594	Blind Chipper Key 1/4 x 1-1/4	1
267	Z51384	#10ORB x 1/2FNPT 90 Elbow	2
268	Z54102	M&S Hydraulic Motor 200	1
269	Z71520	Hex Bolt, 1/2NC x 2	2
270	Z71620	Hex Bolt, 5/8NC x 2	4
271	Z72251	Hex Lock Nut, 1/2NC	2
272	Z72261	Hex Lock Nut, 5/8NC	4
273	Z72341	Jam Nut, 7/16-14NC	2

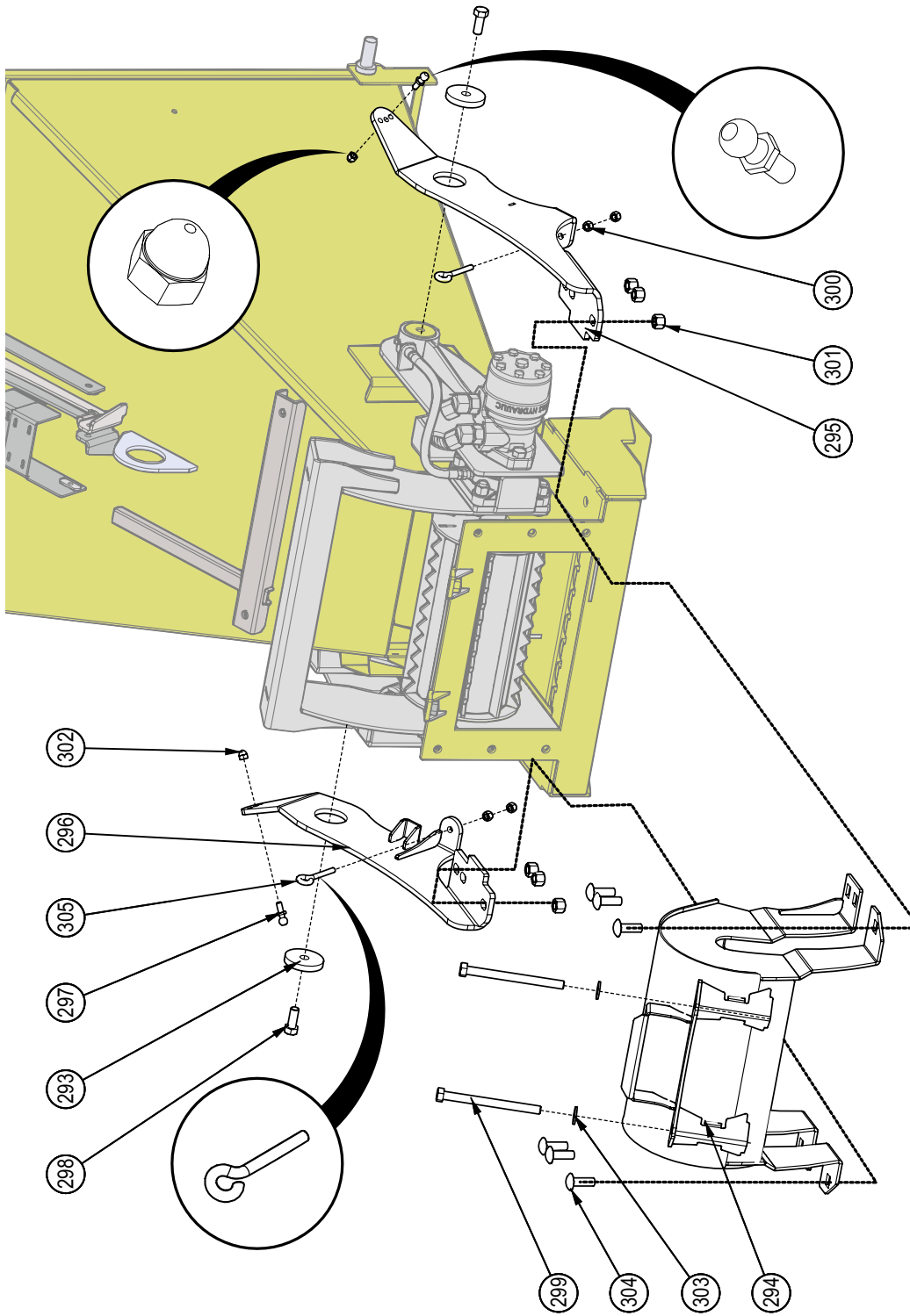
Upper Roller Arm Assembly



BOM ID	Description	Description	Qty
284	Z31501	Spring 2 x 7 Heavy	2
285	Z46594	Blind Chipper Key 1/4 x 1-1/4	1
286	Z51386	Elbow 45 MORB x FFX 1008	2
287	Z54102	M&S Hydraulic Motor 200	1
288	Z71517	Hex Bolt, 1/2NC x 1-3/4	2
289	Z72251	Hex Lock Nut, 1/2NC	10
290	Z72341	Jam Nut, 7/16-14NC	1
291	Z74121	Set Screw, 5/16NC	4
292	Z76255	Carriage Bolt, 1/2NC x 2	8

BOM ID	Description	Description	Qty
274	1015W508	Roller Arm, RH	1
275	1015W513	Roller, Upper Feed	1
276	1015W520	Bridge Weldment	1
277	1062W516	Arm, Upper Roller LH	1
278	Z29312	1/4" Grease Whip, MP02 x MP02 x 13"	1
279	Z25204	4-Bolt Bearing 1-1/2" Bore	2
280	Z29201	Grease Fitting, 1/8NPT	1
281	Z29202	Grease Zerk 1/4NF	3
282	Z29206	Bulkhead, FP x FP 0402 7/16NC	1
283	Z29311	Straight, MP x FFX 0202	1

Roller Hood Assembly

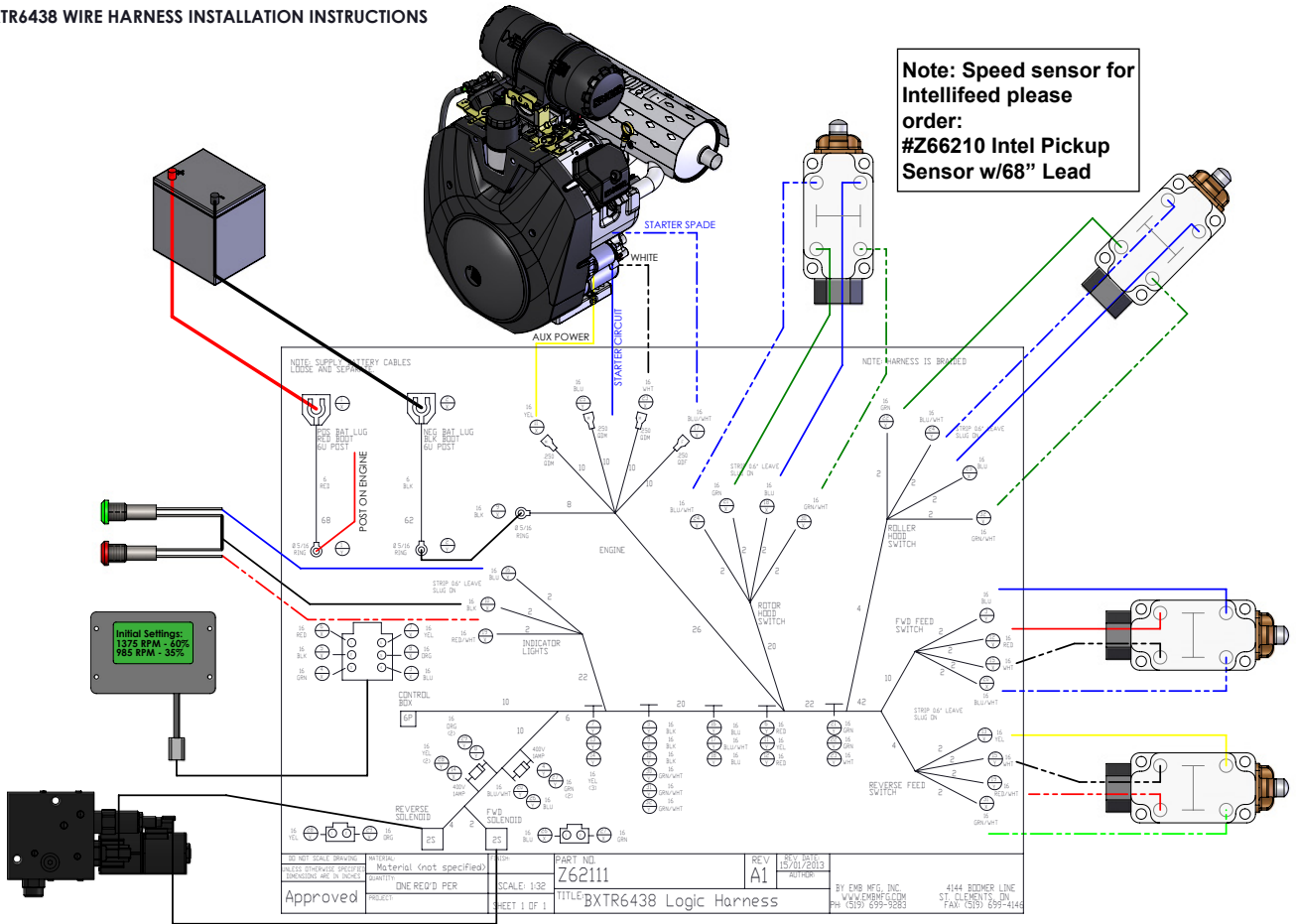


BOM ID	Description	Description	Qty
300	Eye Bolt 5/16NC x 2	Hex Lock Nut, 5/16NC	4
301	Carriage Bolt, 1/2NC x 1-1/2	Hex Lock Nut, 1/2NC	6
302	Flat Washer, 1/2	Acorn Nut, 5/16NC	2
303	Weldment, Hood Arm	Flat Washer, 1/2	2
304	Weldment, Hood Pivot Arm	Carriage Bolt, 1/2NC x 1-1/2	6
305	Weldment, Top Roller Hood	Eye Bolt 5/16NC x 2	2

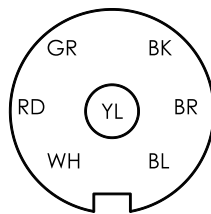
BOM ID	Description	Description	Qty
293	Hex Bolt, 1/2NC x 1-1/4	Capture Washer	2
294	Hex Bolt, 1/2NC x 1-1/4	Weldment, Top Roller Hood	1
295	Flat Washer, 1/2	Weldment, Hood Pivot Arm	1
296	Acorn Nut, 5/16NC	Weldment, Hood Arm	1
297	Hex Lock Nut, 1/2NC	Ball Stud 13mm x 5/16	2
298	Hex Lock Nut, 5/16NC	Hex Bolt, 1/2NC x 1-1/4	2
299	Hex Bolt, 1/2NC x 6	Hex Bolt, 1/2NC x 6	2

Intellifeed Logic Harness #Z62111

1062 BXTR6438 WIRE HARNESS INSTALLATION INSTRUCTIONS



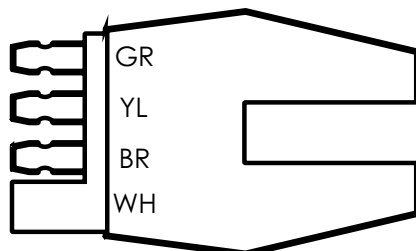
BXTR6438P Trailer Harness #Z62122



7-PIN RV CONNECTOR
PIN-OUT
(VIEWED FROM TRAILER SIDE)

BXTR6438F Trailer Harness #1062F101

4-PIN
CONNECTOR
WITH DUST CAP



Hydraulic Schematic

Fitting Identification

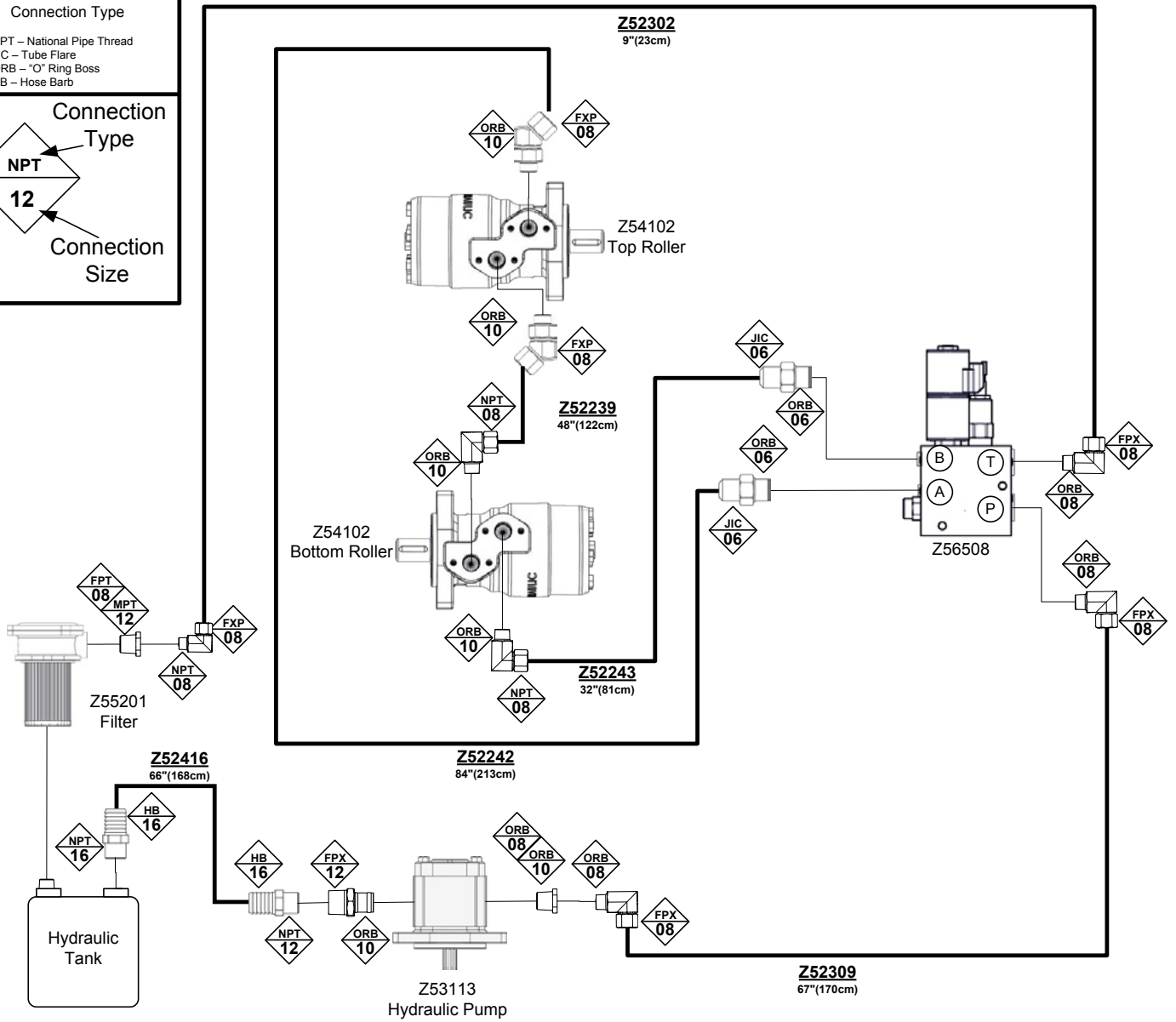
Connection Type

NPT – National Pipe Thread
 JIC – Tube Flare
 ORB – "O" Ring Boss
 HB – Hose Barb

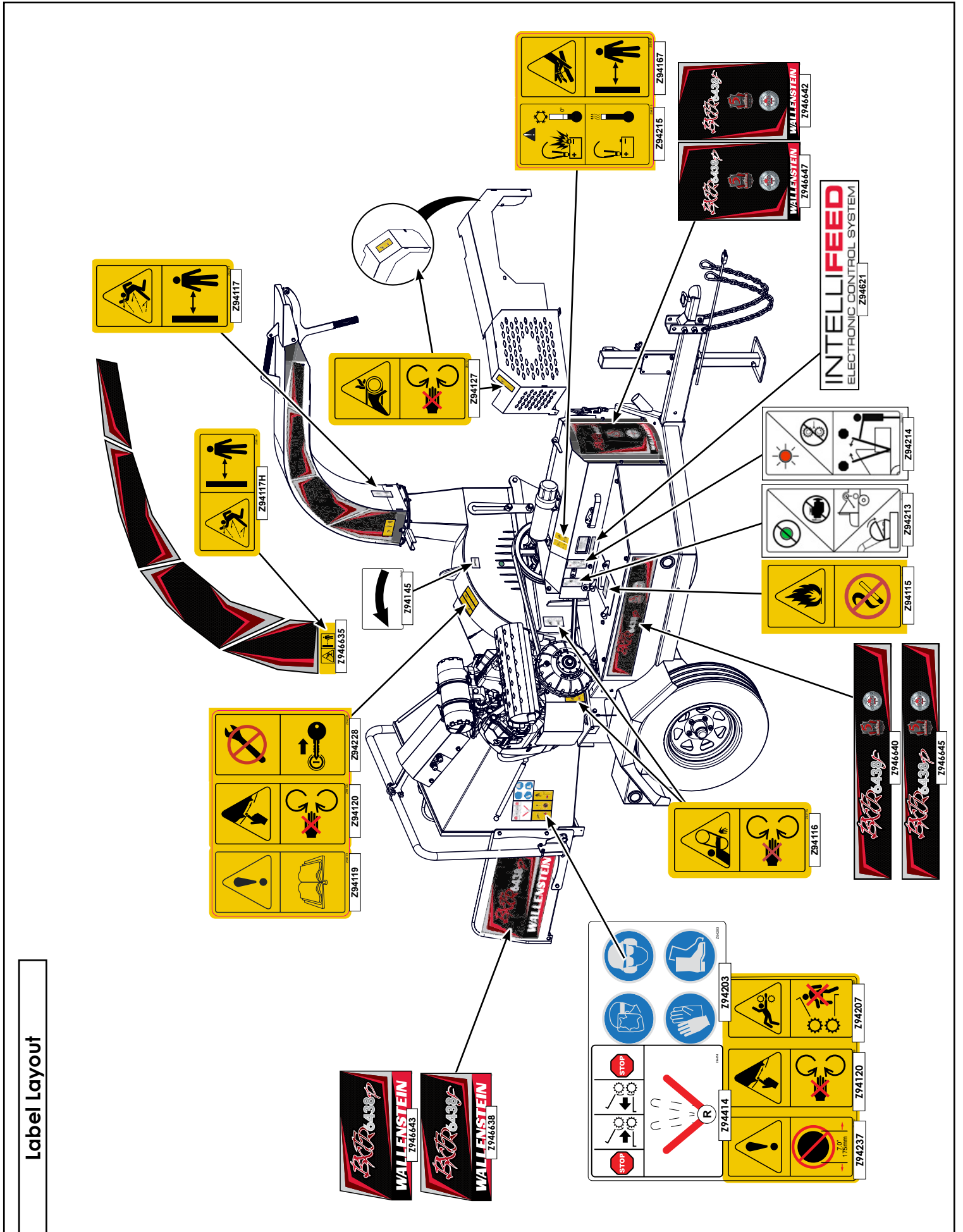
Connection Type

12

Connection Size

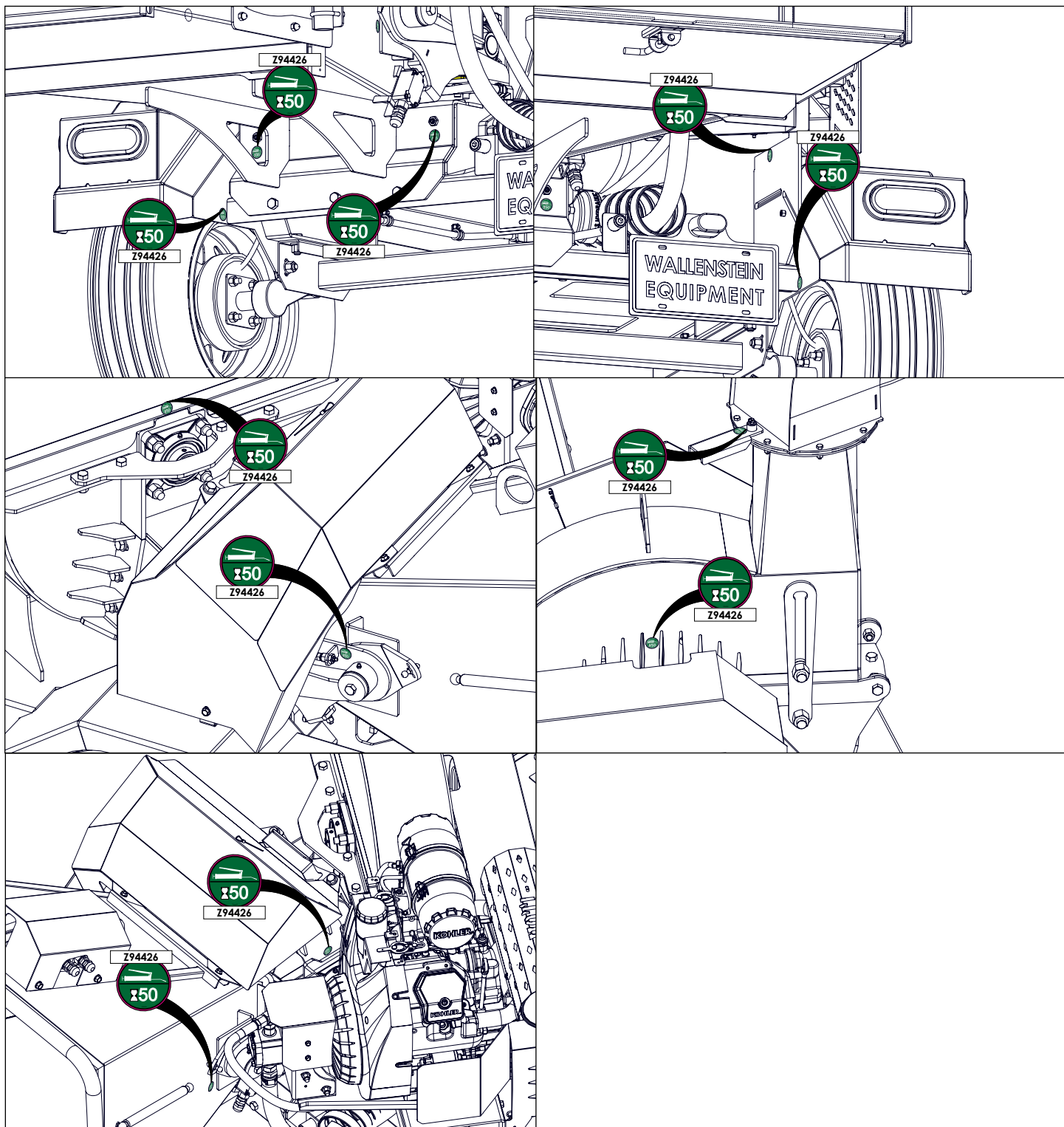


PART NUMBER	DESCRIPTION	QTY
Z20304	1/4 Hose, MP x MP 0202 x 90A	2
Z52302	1/2 Hose, MP08 x MP08 x 12"	1
Z52239	3/8 Hose, MP08 x MP08 x 48"	1
Z52241	3/8 Hose, MP08 x MP08 x 24"	1
Z52242	3/8 Hose, #6FJIC 90 x MP08 x 84"	1
Z52243	3/8 Hose, #6FJIC 90 x MP08 x 32"	1
Z52309	1/2 Hose, MP08 x MP08 x 67"	1
Z52416	1" Tank Truck Hose x 64"	1



Label Layout

Label Layout - Grease



Accessories

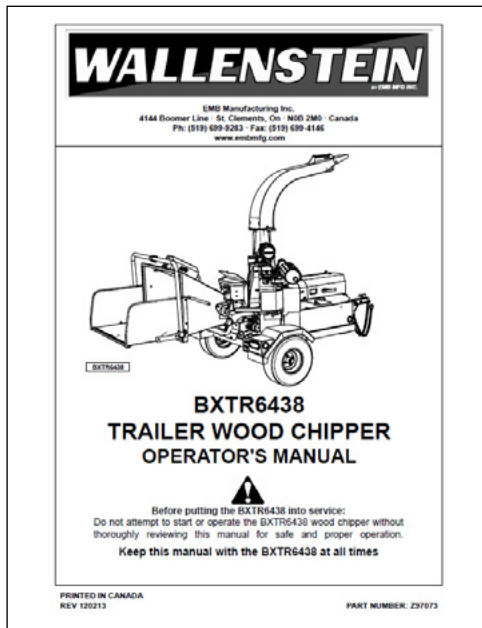
#1012L269



#1012L269 LEDGER CLEARANCE SETTING GAUGE

For **BXTR6438**

An easy and accurate way of setting the critical clearances between the ledger blade and the rotor chipper blade.



#Z97073 BXTR6438 TRAILER WOOD CHIPPER OPERATOR'S MANUAL

Available as a download at
www.embmfg.com