



WX320 Tractor Mount Splitter Parts Manual

S/N 400001 & After



Foreword

EMB Mfg. has prepared this parts manual to assist customers in ordering quality OEM replacement parts.

Proper and regular service and replacing old, worn or broken parts with the correct Wallenstein parts are essential to prolonging the life of your Wallenstein product. Please refer to this manual before ordering any replacement parts.

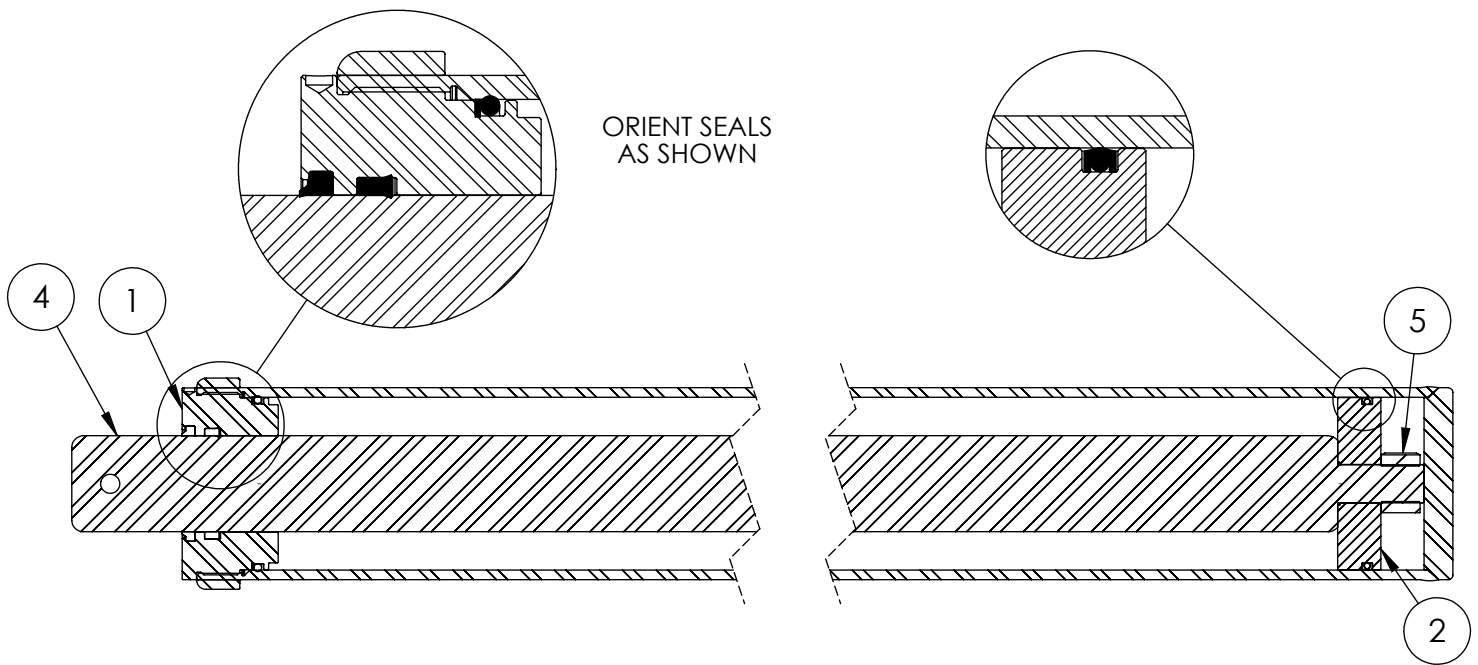
All information contained in this parts manual is based on the latest product specification available at the time of printing this manual. If your product differs from the specifications contained within this manual contact EMB Mfg. for information.

EMB reserves the right to alter specifications on their products at any time.

Reproduction of this parts manual of any kind is prohibited without prior written permission from EMB Mfg.

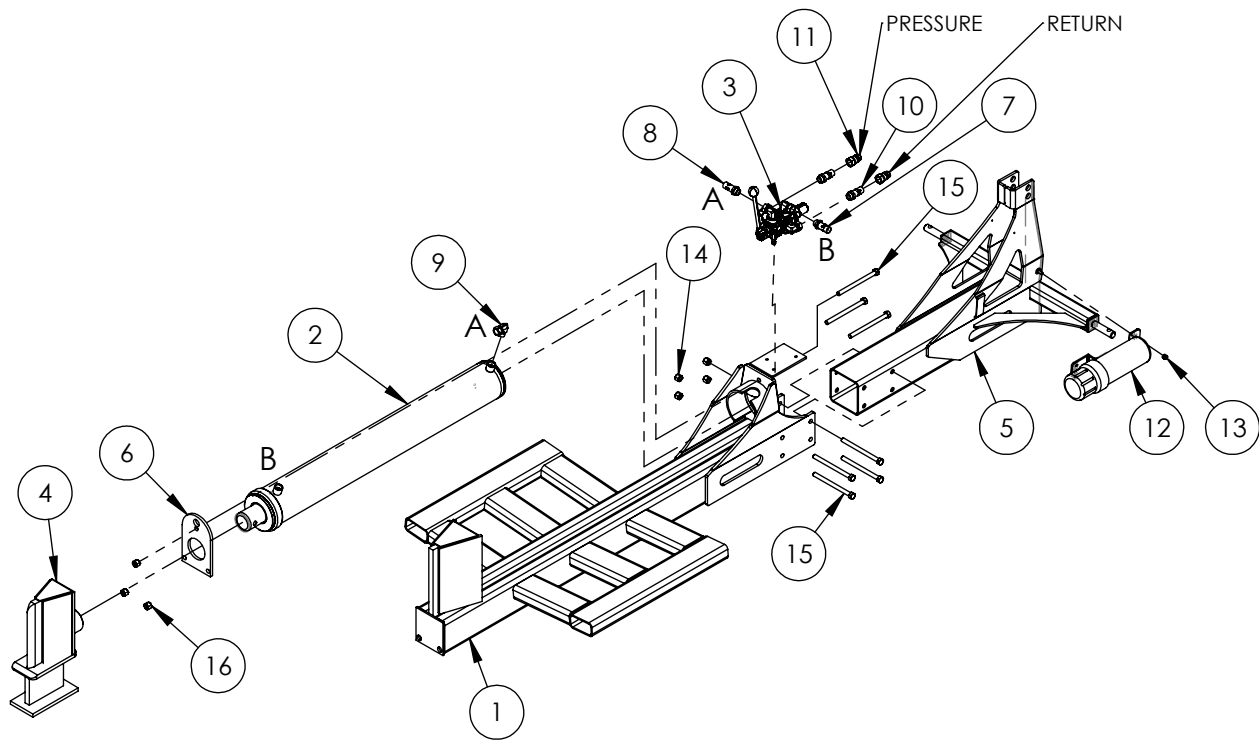
Table of Contents

Cylinder	4
Main Parts	5
Valve and Fittings	7
Valve Assembly	8
Sliding Wedge	10
4-Way Optional Sliding Wedge	11
Decal Breakdown	12



4-1/2" x 36" STROKE CYLINDER PARTS

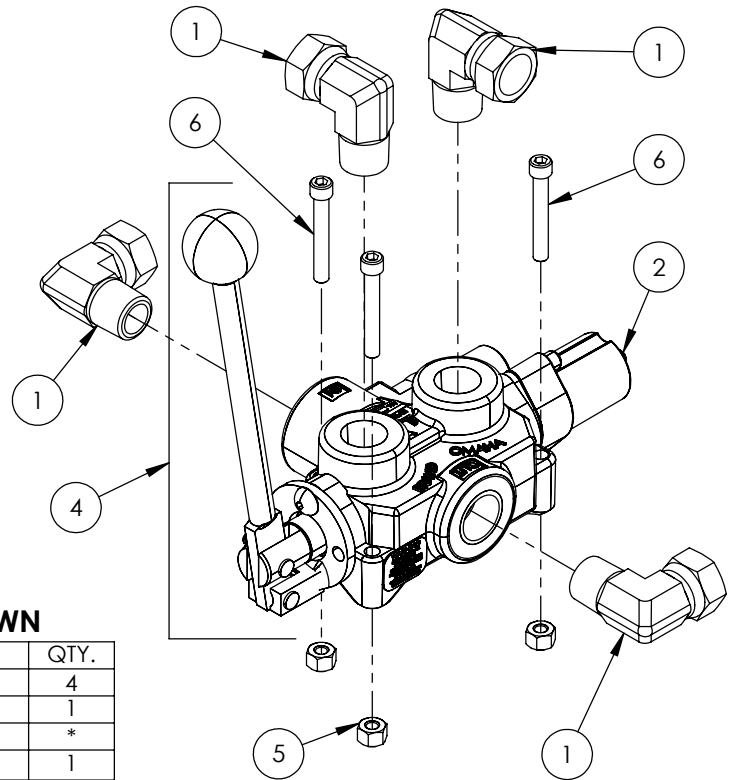
ITEM	PART NO.	DESCRIPTION	QTY
1	G450-250SA	4-1/2" Bore x 2-1/2" Rod Gland With Seals	1
2	P100-450SA	4-1/2" Bore Piston With Seals	1
3	2032C2011	Barrel, 4-1/2"	1
4	2032C2013	Rod, 2-1/2x 1	1
5	Z72292G8	Hex Lock Nut 1NF Grade 8	1
6	SLK-4525	Seal Kit, 4-1/2 x 2-1/2	1



WX320 Parts Breakdown

ITEM	PART NO.	DESCRIPTION	QTY
1	2012W212	Weldment, WX320	1
2	2032C201	Cylinder, 4-1/2 x 36 x 2-1/2	1
3	2011A103	Assembly, Valve with Fittings	1
4	2032A202	Wedge, Large Sliding Assy	1
5	2012W204	Weldment, 3pt WX320	1
6	2032S213	Plate, Cylinder Retaining	1
7	Z52301	1/2 Hose MP08 x MP08 x 16"	1
8	Z52303	1/2 Hose, 1/2MP x 1/2MP x 36"	1
9	Z51331	Elbow 90 MP x FPX 0808	1
10	Z52312	1/2 Hose, 1/2MPx1/2MPx 96"	2
11	Z51926	FP08 x Pioneer Coupler	2
12	Z96503	Manual Tube 3-1/2 Short	1
13	Z72221	Hex Lock Nut 5/16NC	1
14	Z72251	Hex Lock Nut 1/2NC	4
15	Z71565	Hex Bolt, 1/2NC x 6-1/2	7
16	Z72251	Hex Lock Nut 1/2NC	3

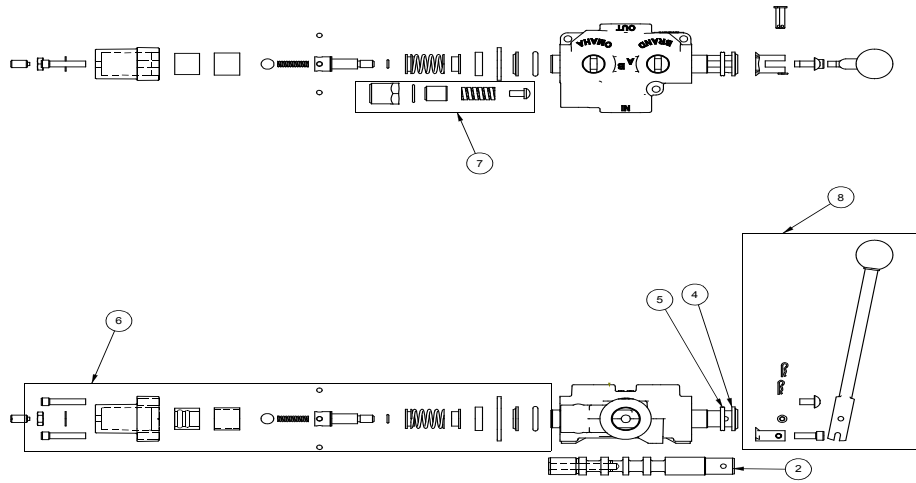
This Page is Intentionally Blank



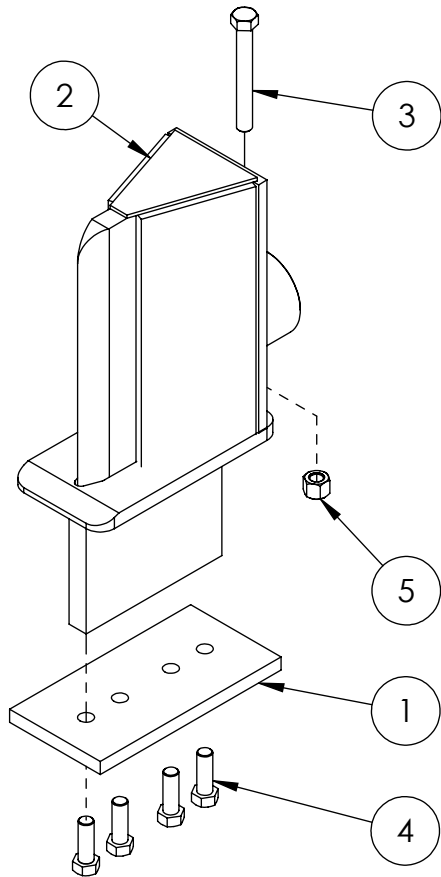
VALVE AND FITTINGS PARTS BREAKDOWN

ITEM	PART NO.	Description	QTY.
1	Z51331	Elbow 90 MP x FPX 0808	4
2	Z56209	Valve, Single Function Detent	1
3	*Z56210*	Valve, Closed Center	*
4	Z56915	Complete Handle Kit for Z56209	1
5	Z72111	Hex Lock Nut 1/4NC	3
6	Z75114	SHCS, 1/4NC x 1-3/4	3

CLOSED CENTER VALVE REQUIRED FOR "C" MODELS.

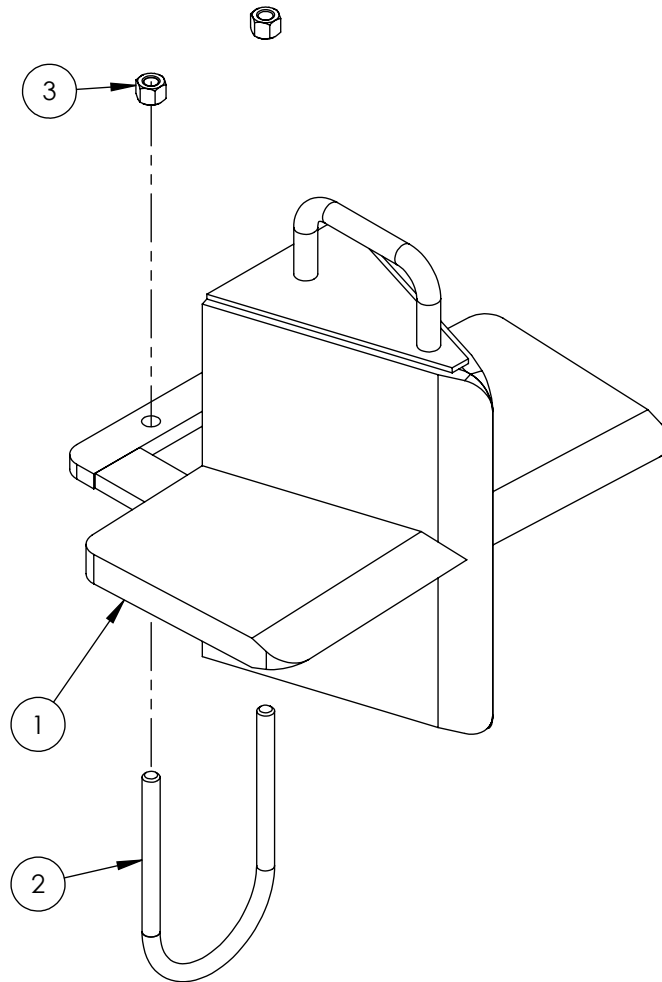


ITEM NO.	QTY.	PART NO.	DESCRIPTION
1	1	AOCAS7B	AO CASTING
2	1	LS304T4J	SPOOL
3	1	P1740	NAME TAG
4	1	SF305	WIPER
5	1	SF304	QUAD RING
6	1	SUB-LS	SUB-LS
	1	B5057	7/16 BALL
	4	DC7604	3/16 BALL
	1	SF306	RETAINER
	1	SF477L	SH LS ENDCAP
	1	XDC672	LS SLEEVE
	1	SF483	SPACER
	2	SF486	ALLEN SCREW
	2	SF489	CENTER STOP
	1	SF490	CENTERING SPRING
	1	SF492	HOUSING
	1	SF315	SPACER
	1	LS305	DETENT SPRING
	1	DC7583	O-RING 3-902
	1	SF496	O-RING, BLUE, METRIC
	1	LS306	LS WIPER
	1	SF502	5/16 LOCK WASHER
	1	SF503	PLUNGER, SPRING
	1	SF504	5/16 HEX JAM NUT
7	1	SUB-R	RELIEF
	1	P1603	CAP NUT
	1	SF322	O-RING 2-016
	1	SF364A	ADJ. SCREW
	1	B505	SPRING
	1	SF361A	POPPET
8	1	Z55915	HANDLE KIT
	1	SF377	RETAINER
	1	SF376	SEAL RETAINER
	1	SF367A	CLEVIS
	1	SF368	HANDLE
	2	SF369	PIN
	2	P1767	PIN CLIP
	1	HP5	MACH. SCREW
	1	SF311	KNOB
	1	SF308	CAP SCREW
	1	SF303T4J	SPOOL
9	1	P1654	WARNING TAG



2032A202 SLIDING WEDGE PARTS BREAKDOWN

ITEM	PART NO.	Description	QTY.
1	2014S414	Plate, Sliding Wedge Capture	1
2	2032W203	Wedge, Large Sliding	1
3	Z71540	Hex Bolt 1/2NC x 4	1
4	Z71576	Hex Bolt 1/2NF x 1-1/2	4
5	Z72251	Hex Lock Nut 1/2NC	1

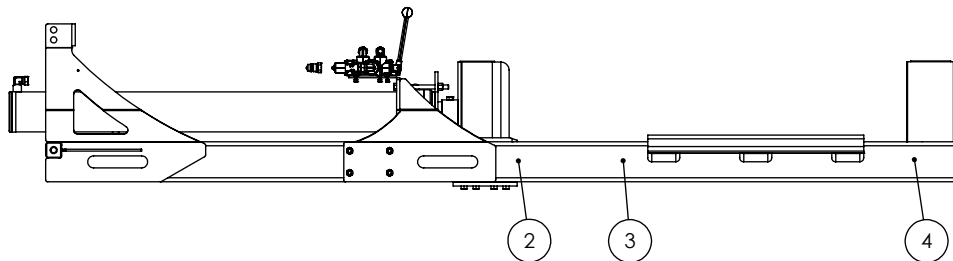
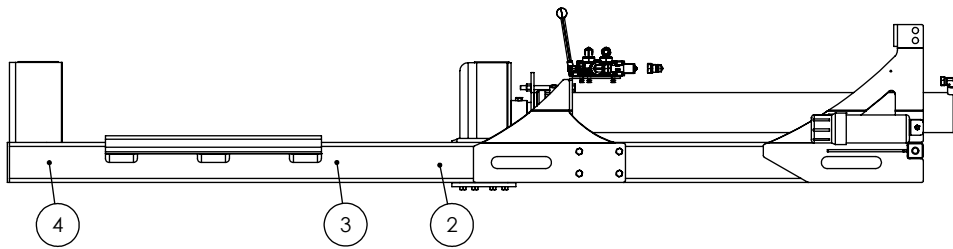
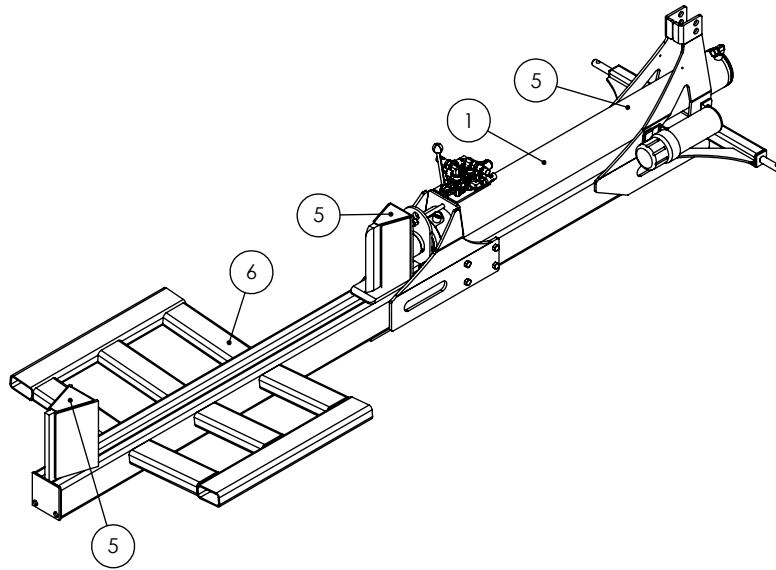


W4130 4-Way Wedge (Optional)

ITEM	PART NO.	DESCRIPTION	QTY
1	2082W301	Weldment, Main 4-Way	1
2	2082S307	U-Bolt, 3 x 4	1
3	772231	Hex Lock Nut 3/8NC	2

WX320/330 DECAL BREAKDOWN

ITEM	PART NO.	DESCRIPTION	QTY
1	Z94039	CAUTION - Read Manual	1
2	Z94040	WARNING - Moving Wedge	2
3	Z94067	Clear Guide	2
4	Z94056	Wallenstein	2
5	Z94019	Made in Canada	3
6	Z94066	Apply Oil or Grease	1



3PH Splitter Decals

Z94056



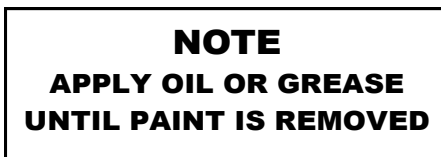
Z94067



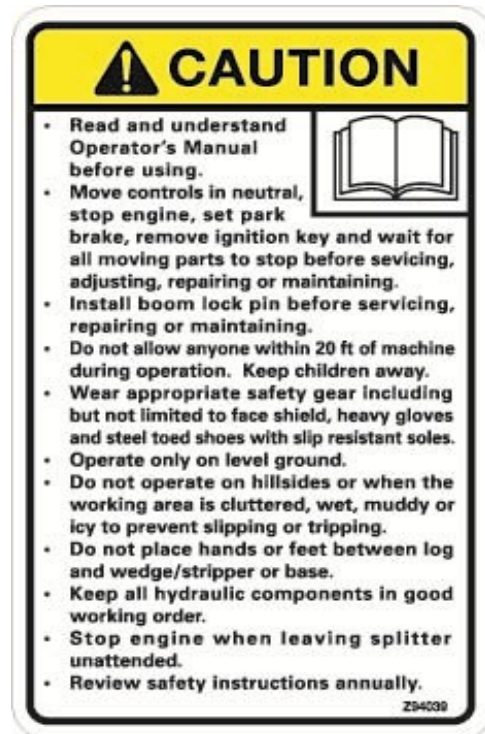
Z94019



Z94066



Z94039

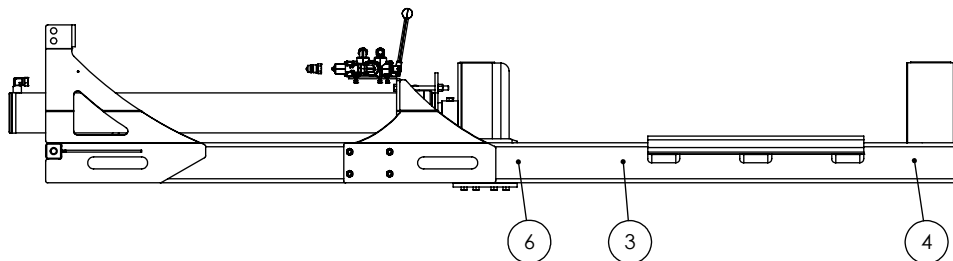
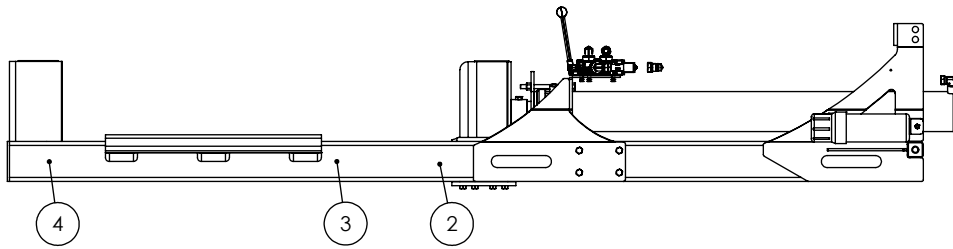
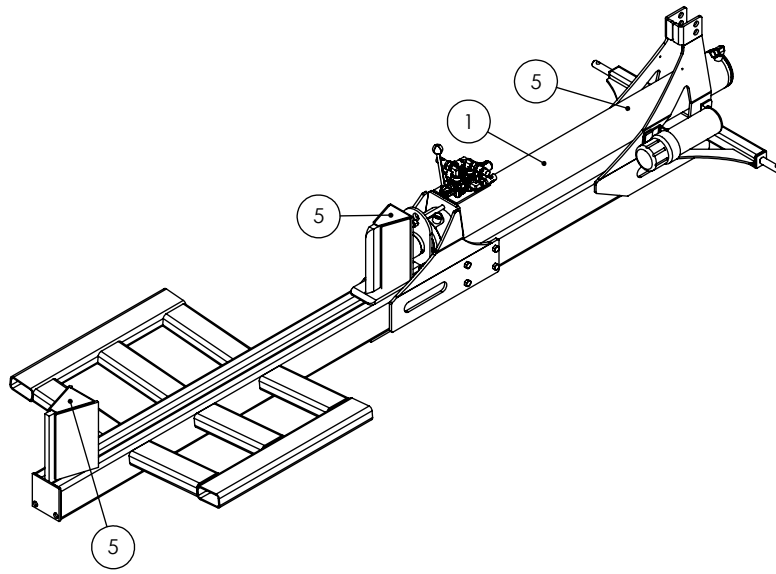


Z94040



TWO PANEL WX320/330 DECAL BREAKDOWN

ITEM	PART NO.	DESCRIPTION	QTY
1	Z94119	CAUTION - Read Manual	1
2	Z94123	Keep Feet Back	1
3	Z94067	Clear Guide	2
4	Z94056	Wallenstein	2
5	Z94019	Made in Canada	3
6	Z94124	Keep Hands Back	1



Two Panel 3PH Splitter Decals

Z94019



Z94067



Z94056



Z94119



Z94123



Z94124





WALLENSTEIN Products Manufactured by:

EMB MFG Inc.

4144 Boomer Line
St. Clements, Ontario
Canada N0B 2M0
Phone: 1-877-695-9283
Fax: 519-699-4146
www.embmfg.com