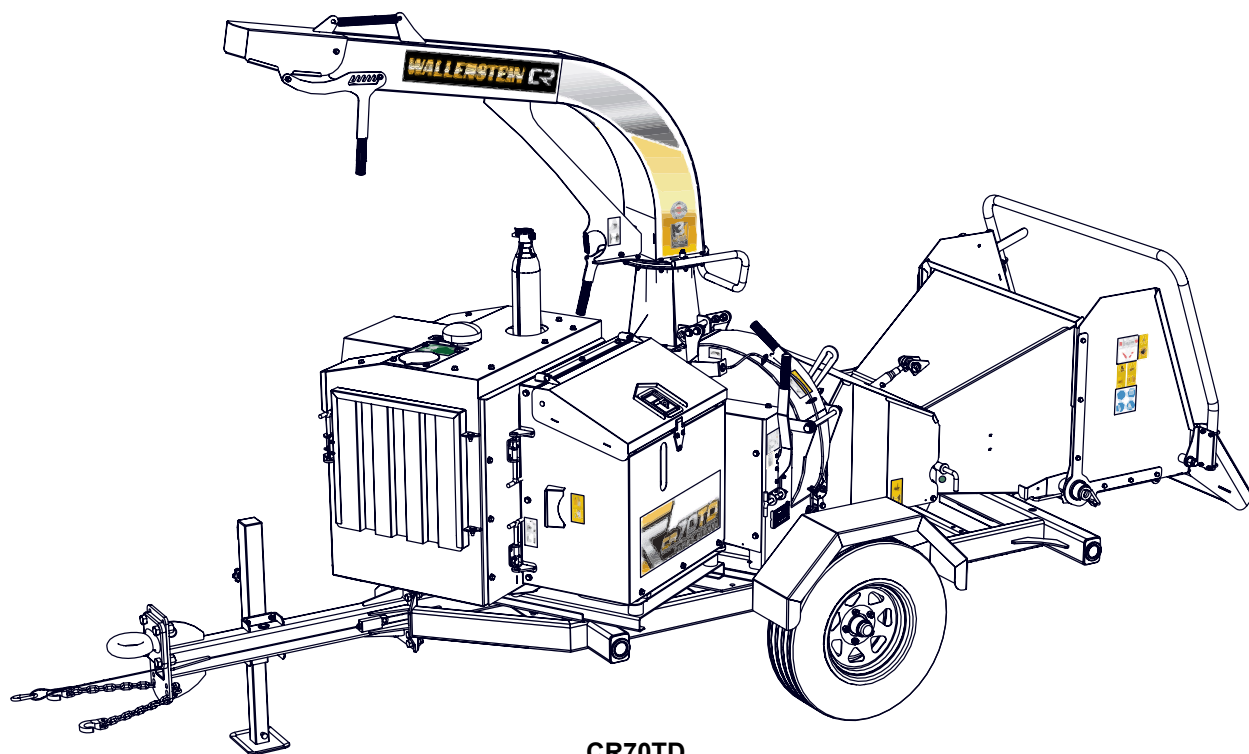




EMB Manufacturing Inc.  
4144 Boomer Line · St. Clements, On · N0B 2M0 · Canada  
Ph: (519) 699-9283 · Fax: (519) 699-4146  
www.wallensteincr.com

# CR70 Diesel Series Trailer Chipper Parts Manual

Starting with S/N 2E9US111XDS010001 to 2E9US1114FS010013  
MODELS CR70D & CR70TD



CR70TD



Refer to the operators  
manual for safe  
operation and  
maintenance

## Table of Contents

<b>CR70 Diesel Variation Chart .....</b>	<b>3</b>	<b>Tank Door Assembly.....</b>	<b>25</b>
<b>Bolt Torque.....</b>	<b>4</b>	<b>Discharge Chute .....</b>	<b>26</b>
<b>Hydraulic Fitting Torque .....</b>	<b>5</b>	<b>Rotor Housing Front .....</b>	<b>26</b>
<b>Wheel Lug Torque .....</b>	<b>5</b>	<b>Rotor Housing Rear .....</b>	<b>27</b>
<b>Frame Detail - Tongue &amp; Jack.....</b>	<b>6</b>	<b>Rotor Interlock Latch.....</b>	<b>28</b>
<b>Frame Detail - Front.....</b>	<b>7</b>	<b>Rotor Interlock Clutch .....</b>	<b>28</b>
<b>Frame Detail - Rear .....</b>	<b>8</b>	<b>Rotor Assembly .....</b>	<b>29</b>
<b>Frame &amp; Fender Assembly.....</b>	<b>9</b>	<b>Pulley Shroud .....</b>	<b>30</b>
<b>Hub Assembly .....</b>	<b>10</b>	<b>Hopper Top / Back View.....</b>	<b>31</b>
<b>Brake Assembly.....</b>	<b>10</b>	<b>Hopper Front/ Bottom View .....</b>	<b>32</b>
<b>Engine Carriage.....</b>	<b>11</b>	<b>Upper Roller Right Pivot Arm.....</b>	<b>33</b>
<b>Engine CR70D &amp; CR70TD .....</b>	<b>12</b>	<b>Upper Roller Left Pivot Arm .....</b>	<b>33</b>
<b>Engine Parts.....</b>	<b>12</b>	<b>Upper Roller Assembly .....</b>	<b>34</b>
<b>Engine Shroud - CR70D .....</b>	<b>13</b>	<b>Lower Roller Assembly .....</b>	<b>34</b>
<b>Engine Shroud - CR70TD.....</b>	<b>14</b>	<b>Hopper Roller Shrouding.....</b>	<b>35</b>
<b>Radiator Door &amp; Shroud - CR70D.....</b>	<b>15</b>	<b>Feed Table .....</b>	<b>36</b>
<b>Radiator Door &amp; Shroud - CR70TD .....</b>	<b>16</b>	<b>Feed Roller Control Detail.....</b>	<b>37</b>
<b>Engine Access Door - CR70D .....</b>	<b>17</b>	<b>Intellifeed Wiring Harness &amp;.....</b>	<b>38</b>
<b>Engine Access Door - CR70TD.....</b>	<b>18</b>	<b>Lights and Brakes Wiring Harness .....</b>	<b>38</b>
<b>Engine Shroud-Tank Side - CR70D .....</b>	<b>19</b>	<b>Intellifeed Wiring Diagram #Z62125 .....</b>	<b>39</b>
<b>Engine Shroud-Tank Side - CR70TD.....</b>	<b>20</b>	<b>Hose Parts List .....</b>	<b>40</b>
<b>Pivoting Tank Base.....</b>	<b>21</b>	<b>Hydraulic Schematic .....</b>	<b>41</b>
<b>Tank / Engine Shroud Assembly .....</b>	<b>21</b>	<b>Label Layout - List.....</b>	<b>42</b>
<b>Tank / Shroud Assembly .....</b>	<b>22</b>	<b>Label Layout - Left Side.....</b>	<b>43</b>
<b>Hydraulic Tank Assembly .....</b>	<b>23</b>	<b>Label Layout - Right Side .....</b>	<b>44</b>
<b>Fuel Tank Assembly.....</b>	<b>24</b>	<b>Label Layout .....</b>	<b>45</b>
		<b>Accessories.....</b>	<b>46</b>

## Foreword

EMB Mfg. has prepared this parts manual to assist customers in ordering quality OEM replacement parts.

Proper and regular service and replacing old, worn or broken parts with the correct OEM parts are essential to prolonging the life of your EMB product. Please refer to this manual before ordering any replacement parts.

All information contained in this parts manual is based on the latest product specification available at the time of printing this manual. If your product differs from the specifications contained within this manual contact EMB Mfg. for information.

EMB reserves the right to alter specifications on their products at any time.

Reproduction of this parts manual of any kind is prohibited without prior written permission from EMB Mfg.

For parts and information please contact your dealer. If your dealer is no longer available please go to our website: <http://www.embmfg.com> and click on "FIND A DEALER NEAR YOU" for information on a local dealer.

**CR70 Diesel Variation Chart**

CR Option Cross Reference		Option				
		Diesel	Turbo Deisel	3.0" Eye Pintle	2 5/16 Hitch Coupler	Revision Level
<b>M o d e l</b>	CR70D	X		X		B1
	CR70DB	X			X	B1
	CR70TD		X	X		B1
	CR70TDB		X	X		B1

### Bolt Torque

#### CHECKING BOLT TORQUE

The tables shown below give correct torque values for various bolts and capscrews. Tighten all bolts to the torques specified in chart unless otherwise noted. Check tightness of bolts periodically, using bolt torque chart as a guide. Replace hardware with the same strength bolt.

Torque figures indicated above are valid for non-greased or non-oiled threads and heads unless otherwise specified. Therefore, do not grease or oil bolts or capscrews unless otherwise specified in this manual. When using locking elements, increase torque values by 5%.

\* Torque value for bolts and capscrews are identified by their head markings.

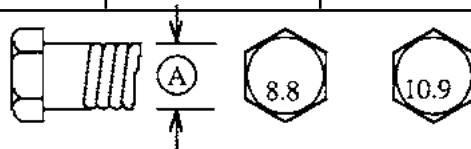
#### ENGLISH TORQUE SPECIFICATIONS

Bolt Diameter "A"	Bolt Torque*					
	SAE 2 (N.m) (lb-ft)		SAE 5 (N.m) (lb-ft)		SAE 8 (N.m) (lb-ft)	
1/4"	8	6	12	9	17	12
5/16"	13	10	25	19	36	27
3/8"	27	20	45	33	63	45
7/16"	41	30	72	53	100	75
1/2"	61	45	110	80	155	115
9/16"	95	60	155	115	220	165
5/8"	128	95	215	160	305	220
3/4"	225	165	390	290	540	400
7/8"	230	170	570	420	880	650
1"	345	225	850	630	1320	970



#### METRIC TORQUE SPECIFICATIONS

Bolt Diameter "A"	Bolt Torque*			
	8.8 (N.m) (lb-ft)		10.9 (N.m) (lb-ft)	
M3	.5	.4	1.8	1.3
M4	3	2.2	4.5	3.3
M5	6	4	9	7
M6	10	7	15	11
M8	25	18	35	26
M10	50	37	70	52
M12	90	66	125	92
M14	140	103	200	148
M16	225	166	310	229
M20	435	321	610	450
M24	750	553	1050	774
M30	1495	1103	2100	1550
M36	2600	1917	3675	2710





### Hydraulic Fitting Torque

#### Tightening Flare Type Tube Fittings \*

1. Check flare and flare seat for defects that might cause leakage.
2. Align tube with fitting before tightening.
3. Lubricate connection and hand tighten swivel nut until snug.
4. To prevent twisting the tube(s), use two wrenches. Place one wrench on the connector body and with the second tighten the swivel nut to the torque shown.

HYDRAULIC FITTING TORQUE					
Tube Size OD	Nut Size Across Flats	Torque Value*		Recommended Turns To Tighten (After Finger Tightening)	
		(N.m)	(lb-ft)	(Flats)	(Turn)
3/16	7/16	8	6	1	1/6
1/4	9/16	12	9	1	1/6
5/16	5/8	16	12	1	1/6
3/8	11/16	24	18	1	1/6
1/2	7/8	46	34	1	1/6
5/8	1	62	46	1	1/6
3/4	1-1/4	102	75	3/4	1/8
7/8	1-3/8	122	90	3/4	1/8

- The torque values shown are based on lubricated connections as in reassembly.

### Wheel Lug Torque

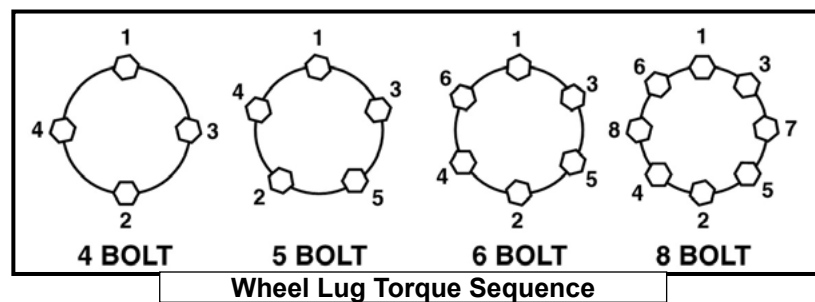
It is extremely important safety procedure to apply and maintain proper wheel mounting torque on your trailer axle. Torque wrenches are the best method to assure the proper amount of torque is being applied to a fastener.

Wheel lugs should be torqued before first road use and after each wheel removal. Check and re torque after the first 16Km (10 miles), 40Km (25 miles), and again at 80Km (50 miles). Check periodically thereafter.

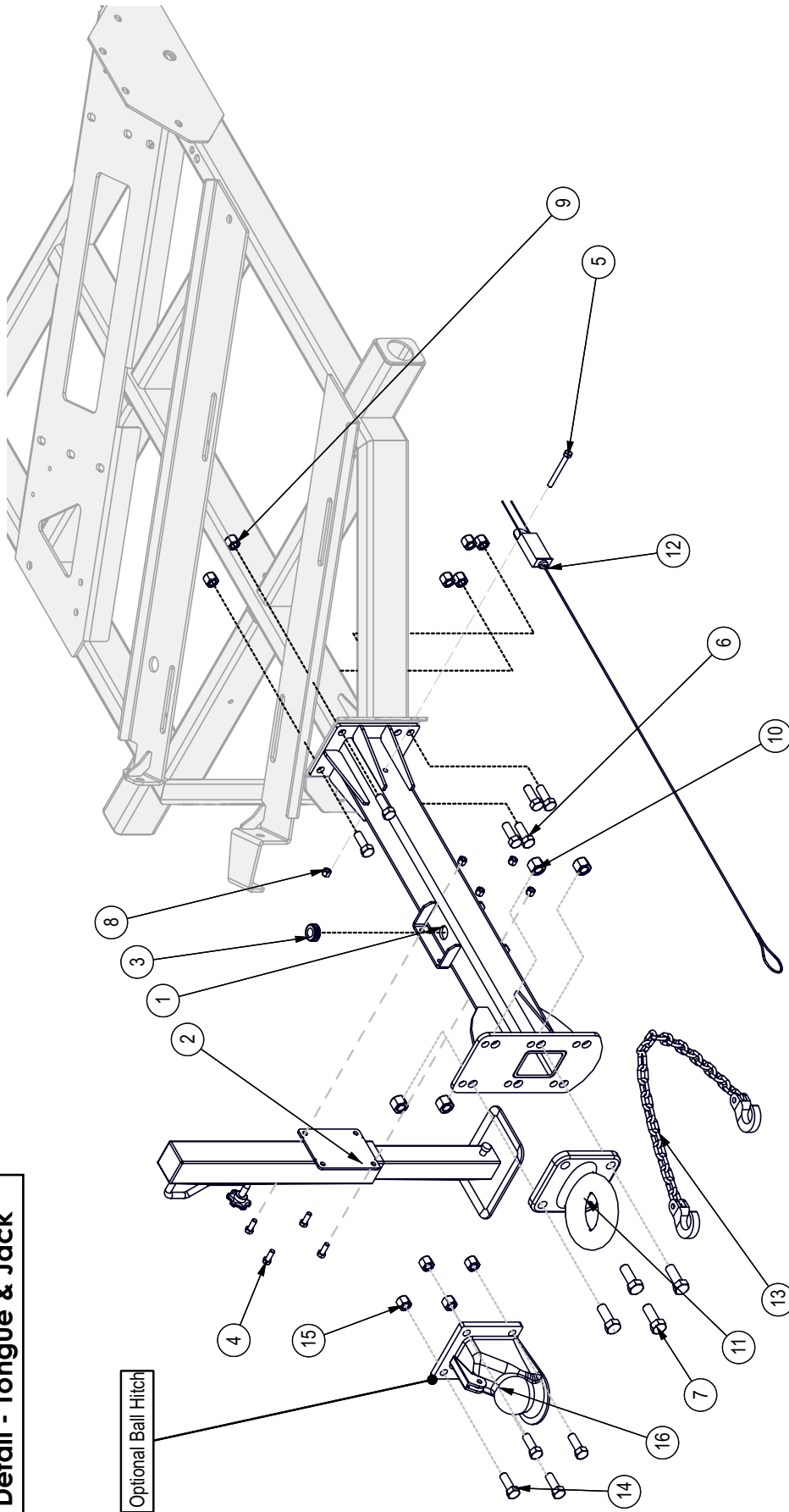
Note: Wheel lugs must be applied and maintained at the proper torque levels to prevent loose wheels, broken studs, and possible dangerous separation of wheels from your axle.

Wheel Torque Requirements				
Wheel Size	Torque Unit	1st Stage	2nd Stage	3rd Stage
8"	ft-lbs	12 - 20	30 - 35	45 - 55
	Nm	16 - 26	39 - 45.5	58.5 - 71.5
12"	ft-lbs	20 - 25	35 - 40	50 - 60
	Nm	26 - 32.5	45.5 - 52	65 - 78
13"	ft-lbs	20 - 25	35 - 40	50 - 60
	Nm	26 - 32.5	45.5 - 52	65 - 78
14"	ft-lbs	20 - 25	50 - 60	90 - 120
	Nm	26 - 32.5	65 - 78	117 - 156
15"	ft-lbs	20 - 25	50 - 60	90 - 120
	Nm	26 - 32.5	65 - 78	117 - 156
16"	ft-lbs	20 - 25	50 - 60	90 - 120
	Nm	26 - 32.5	65 - 78	117 - 156

- Start all lugs by hand to prevent cross threading.
- Tighten lugs in sequence, per wheel lug torque sequence chart.
- The tightening of the fasteners should be done in stages. Following the recommended sequence, tighten fasteners per wheel torque requirements chart.



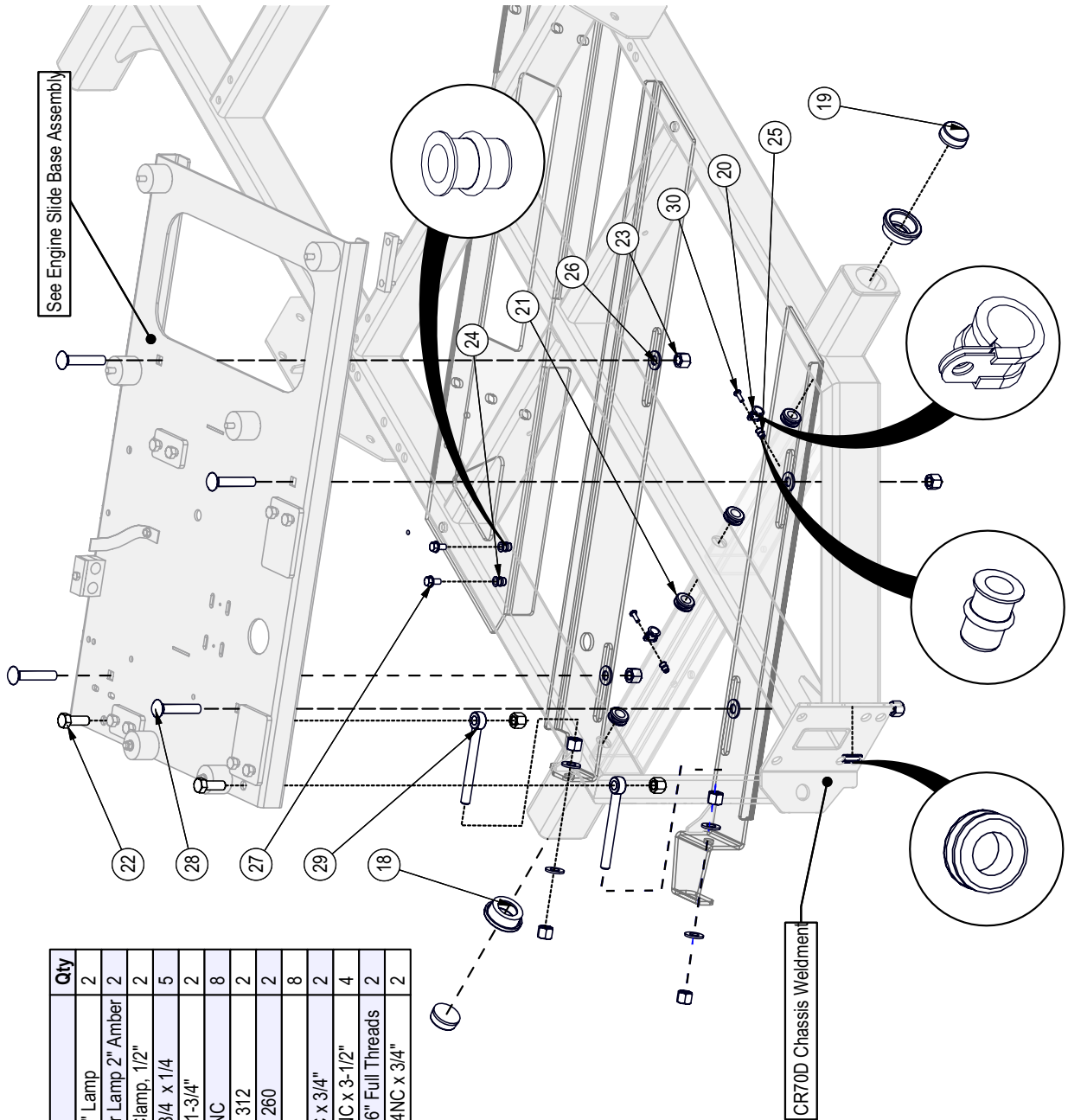
**Frame Detail - Tongue & Jack**



BOM ID	Part No.	Description	Qty
10	Z72271	Hex Lock Nut, 3/4NC	4
11	Z91621	Pintle, 3" Eye x 15000lbs	1
12	Z91713	Breakaway Safety Switch	1
13	Z92309	Safety Chain, 1/4" x 5ft Heavy Duty with Two Grab Hooks	1
14	Z71617	Hex Bolt, 5/8NC x 1-3/4"	4
15	Z72261	Hex Lock Nut, 5/8NC	4
16	Z91618	Hitch Coupler, 2-5/16" Ball x 12000lbs	1

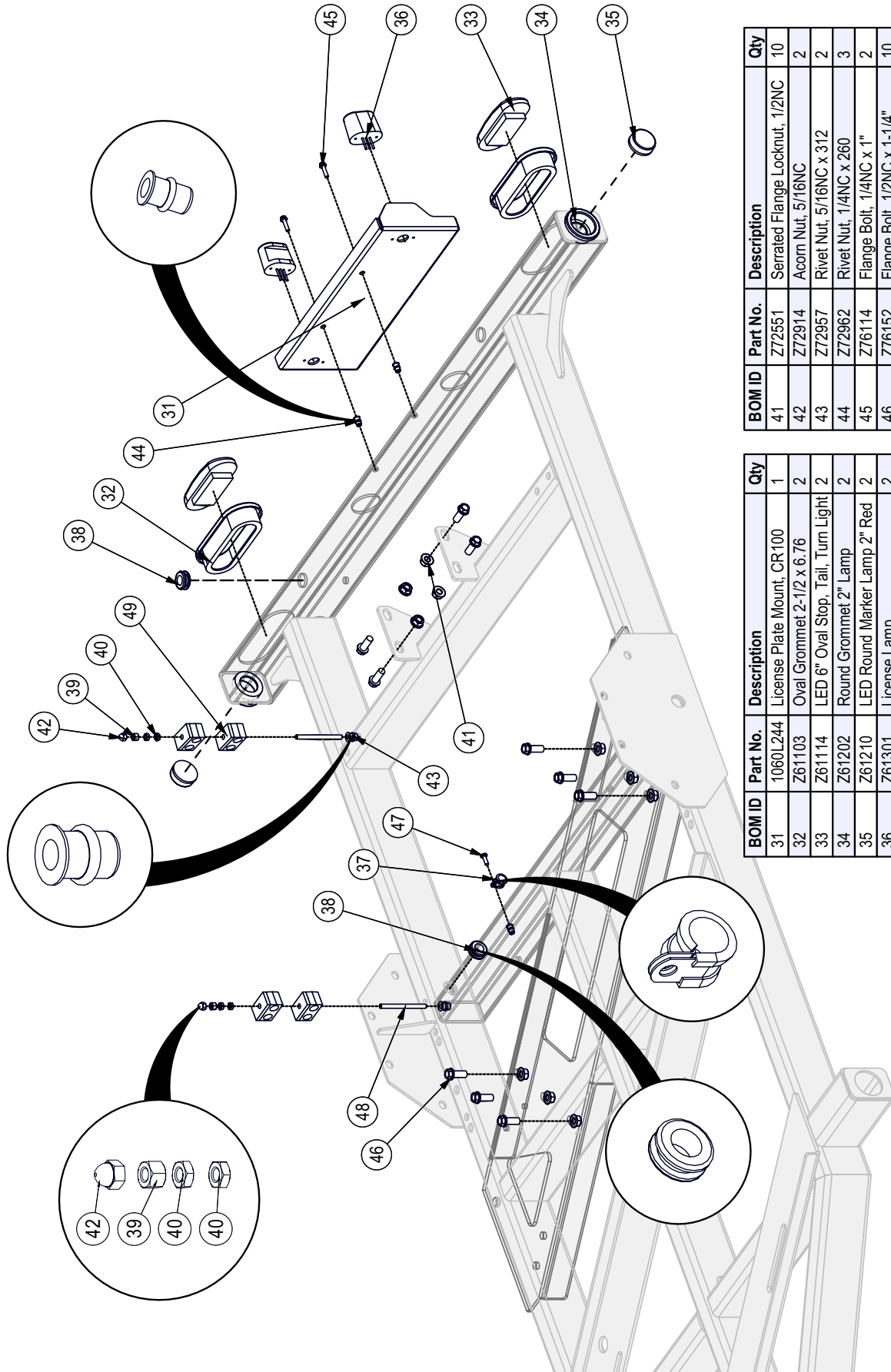
BOM ID	Part No.	Description	Qty
1	1061W155	Tongue Weldment, CR70 Option	1
2	1082W503	Jack Weldment for 1082A502	1
3	Z62822	Rubber Grommet 3/4 x 1/4	1
4	Z71310	Hex Bolt, 3/8NC x 1"	4
5	Z71335	Hex Bolt, 3/8NC x 3-1/2"	1
6	Z71617	Hex Bolt, 5/8NC x 1-3/4"	6
7	Z71720	Hex Bolt, 3/4NC x 2"	4
8	Z72231	Hex Lock Nut, 3/8NC	5
9	Z72261	Hex Lock Nut, 5/8NC	6

**Frame Detail - Front**



BOM ID	Part No.	Description	Qty
18	Z61202	Round Grommet 2" Lamp	2
19	Z61211	LED Round Marker Lamp 2" Amber	2
20	Z62819	Rubberized Wire Clamp, 1/2"	2
21	Z62822	Rubber Grommet 3/4" x 1/4"	5
22	Z71617	Hex Bolt, 5/8NC x 1-3/4"	2
23	Z72261	Hex Lock Nut, 5/8NC	8
24	Z72959	Rivet Nut, 3/8NC x 312	2
25	Z72962	Rivet Nut, 1/4NC x 260	2
26	Z73161	SAE Washer, 5/8"	8
27	Z76133	Flange Bolt, 3/8NC x 3/4"	2
28	Z76265	Carriage Bolt, 5/8NC x 3-1/2"	4
29	Z76561	Rod End, 5/8NC x 6" Full Threads	2
30	Z78301	Machine Screw, 1/4NC x 3/4"	2

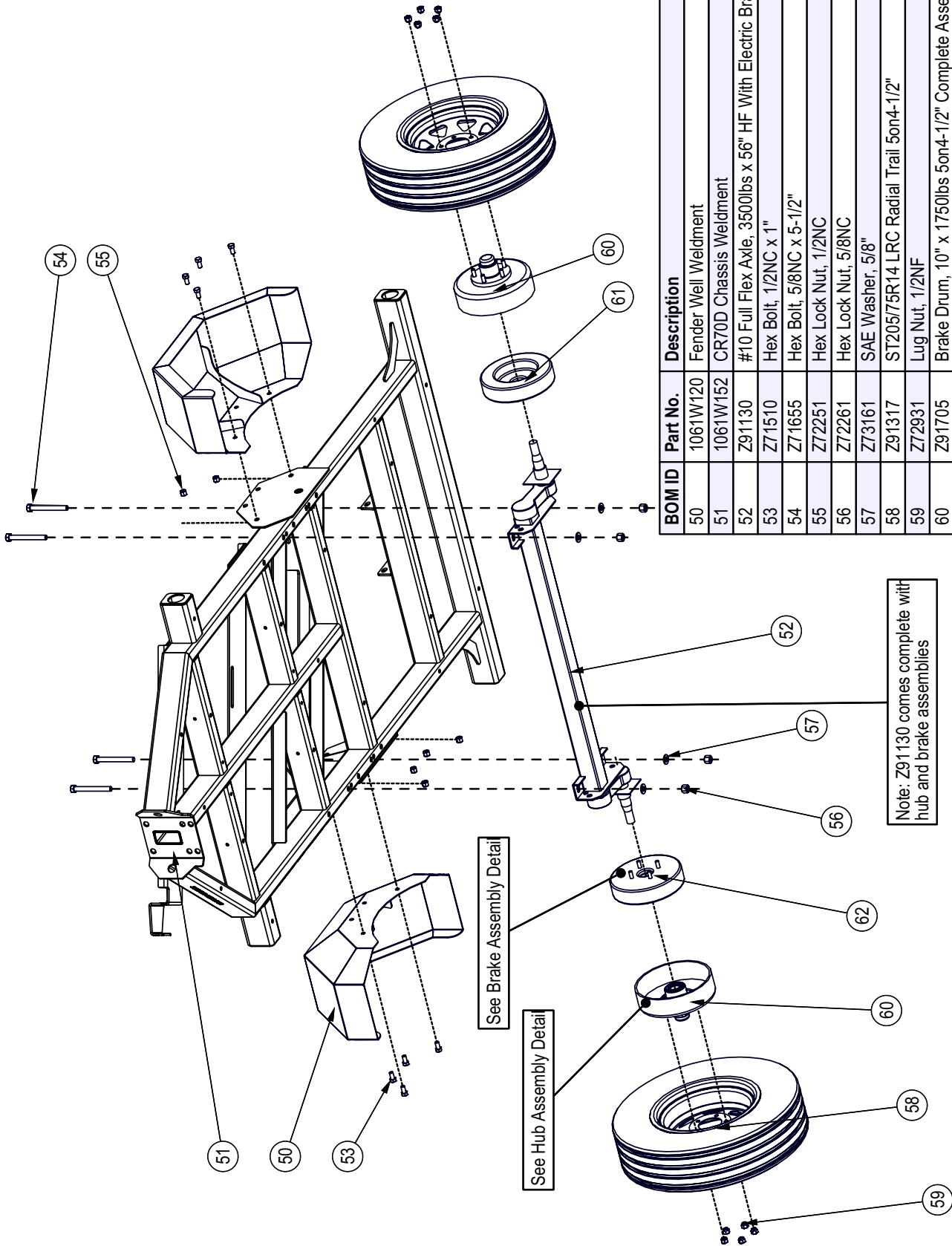
Frame Detail - Rear



BOM ID	Part No.	Description	Qty
41	Z72551	Serrated Flange Locknut, 1/2NC	10
42	Z72914	Acorn Nut, 5/16NC	2
43	Z72957	Rivet Nut, 5/16NC x 312	2
44	Z72962	Rivet Nut, 1/4NC x 260	3
45	Z76114	Flange Bolt, 1/4NC x 1"	2
46	Z76152	Flange Bolt, 1/2NC x 1-1/4"	10
47	Z78301	Machine Screw, 1/4NC x 3/4"	1
48	Z79141	Threaded Stud, 5/16NC x 4"	2
49	Z79463	Double Hose Clamp, 1 1/16" OD	4

BOM ID	Part No.	Description	Qty
31	1060L244	License Plate Mount, CR100	1
32	Z61103	Oval Grommet 2-1/2 x 6.76	2
33	Z61114	LED 6" Oval Stop, Tail, Turn Light	2
34	Z61202	Round Grommet 2" Lamp	2
35	Z61210	LED Round Marker Lamp 2" Red	2
36	Z61301	License Lamp	2
37	Z62819	Rubberized Wire Clamp, 1/2"	1
38	Z62822	Rubber Grommet 3/4 x 1/4	2
39	Z72221	Hex Lock Nut, 5/16NC	2
40	Z72321	Jam Nut, 5/16NC	4

**Frame & Fender Assembly**

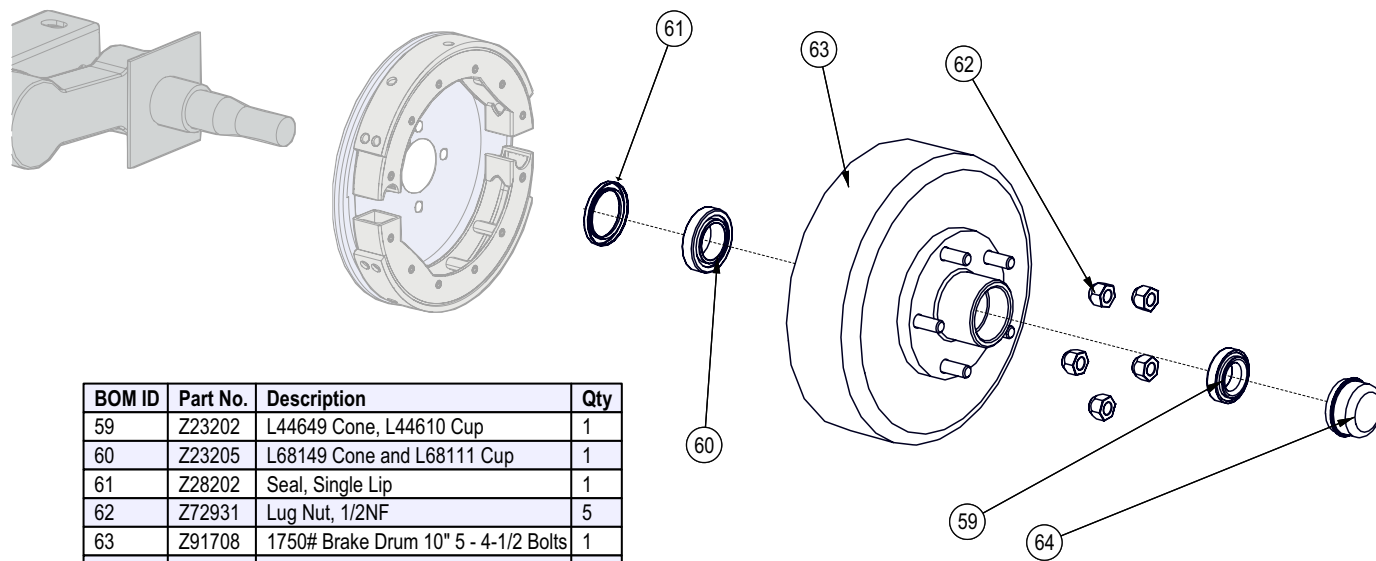


BOM ID	Part No.	Description	Qty
50	1061W120	Fender Well Weldment	2
51	1061W152	CR70D Chassis Weldment	1
52	Z91130	#10 Full Flex Axle, 3500lbs x 56" HF With Electric Brakes	1
53	ZT1510	Hex Bolt, 1/2NC x 1"	8
54	ZT1655	Hex Bolt, 5/8NC x 5-1/2"	4
55	ZT2251	Hex Lock Nut, 1/2NC	6
56	ZT2261	Hex Lock Nut, 5/8NC	4
57	ZT3161	SAE Washer, 5/8"	4
58	Z91317	ST205/75R14 LRC Radial Trail 5on4-1/2"	2
59	ZT2931	Lug Nut, 1/2NF	10
60	Z91705	Brake Drum, 10" x 1750lbs 5on4-1/2" Complete Assembly	2
61	Z91718	Electric Brake, 10" x 2-1/4" x 1750lbs LH	1
62	Z91719	Electric Brake, 10" x 2-1/4" x 1750lbs RH	1

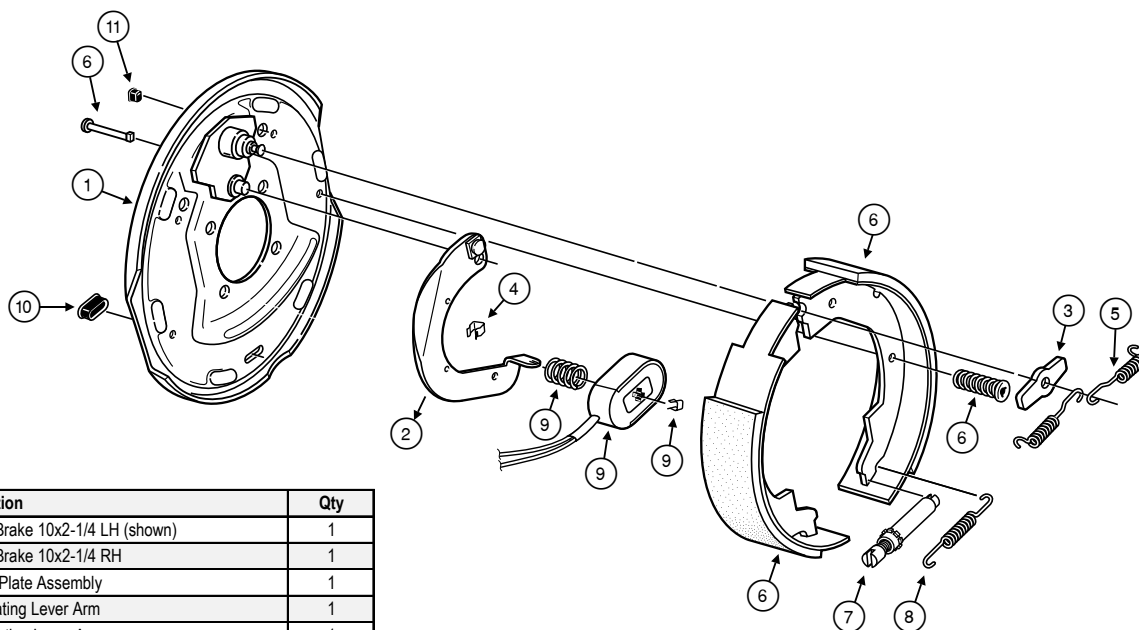
Note: Z91130 comes complete with hub and brake assemblies



### Hub Assembly



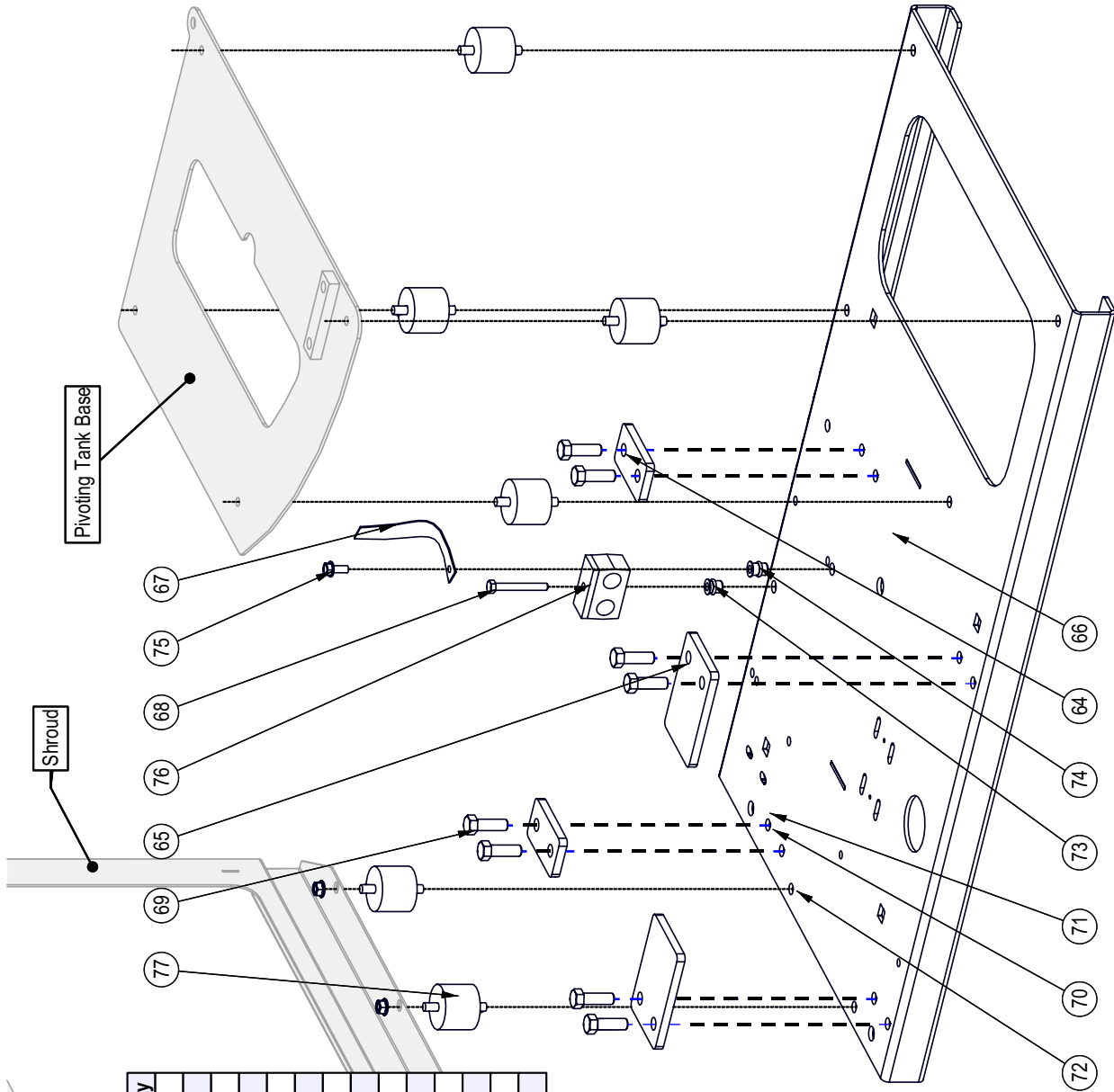
### Brake Assembly



Item	Part No.	Description	Qty
	Z91718	Electric Brake 10x2-1/4 LH (shown)	1
	Z91719	Electric Brake 10x2-1/4 RH	1
1	036-019-10	Backing Plate Assembly	1
2	047-019-05	LH Actuating Lever Arm	1
2	047-020-05	RH Actuating Lever Arm	1
3	005-067-00	Washer	1
4	027-005-00	Wire Clip	2
5	046-009-00	Retractor Spring	2
6	K71-047-00	Shoe & Lining Kit Contains:	1
	#040-017-00	Primary Shoe & Lining	1
	#040-021-00	Secondary Shoe & Lining	1
	#049-002-00	Shoe Hold Down Pin #8	2
	#046-077-00	Shoe Hold Down Spring & Cup	2
7	043-004-00	Adjuster Assembly	1
8	046-018-00	Adjusting Screw Spring	1
9	K71-104-00	Magnet Kit Contains:	1
	#042-140-00	Magnet (green wire)	1
	#027-009-00	Magnet Clip	1
	#046-080-00	Magnet Spring	1
10	046-007-00	Adjuster Slot Plug	2
11	046-016-00	Wire Grommet	1

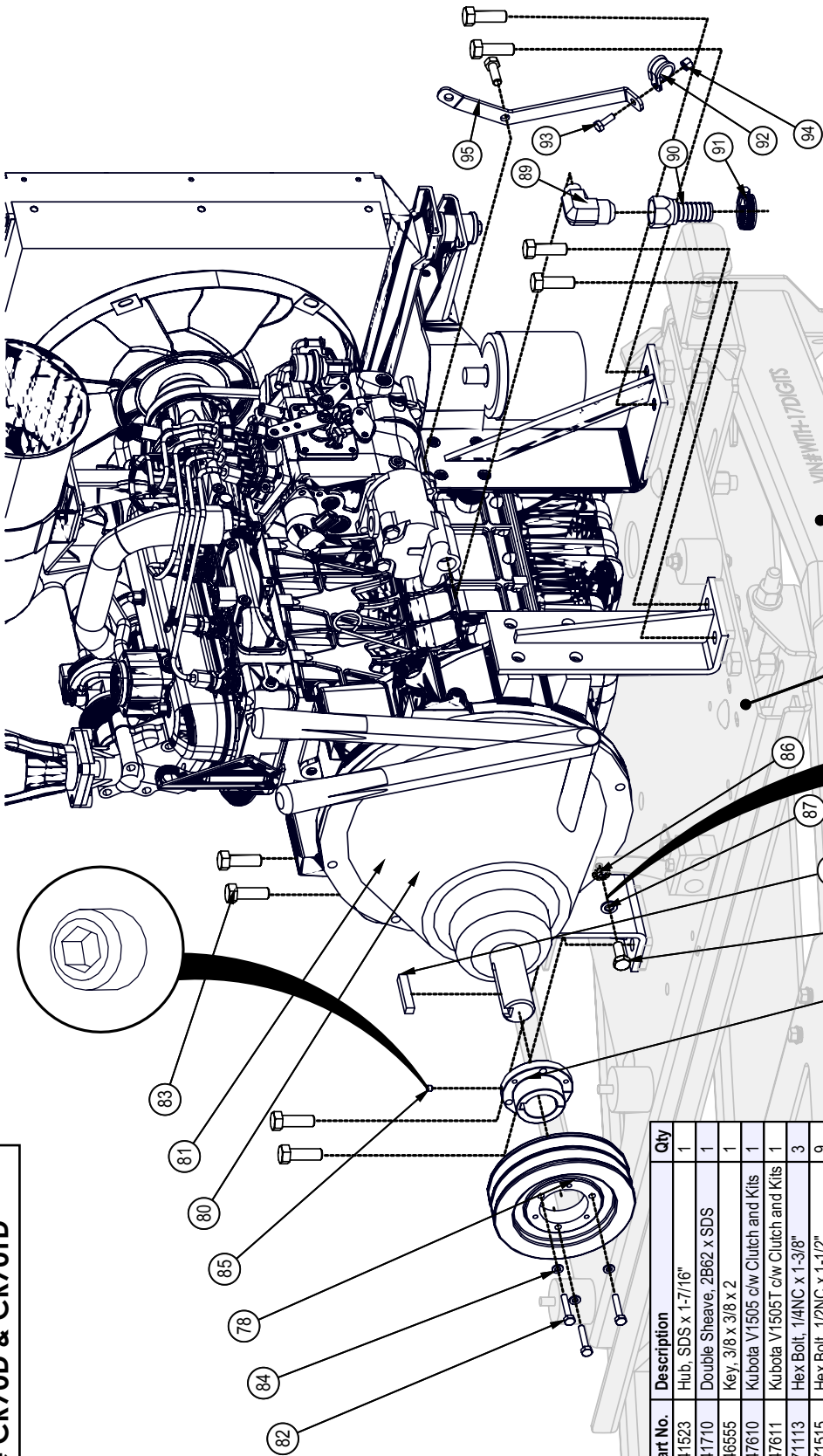
**Please note:** brake parts are not available from EMB Mfg. Brake part numbers here reference Dexter Axle brake assemblies and are available from your local auto parts dealer. All brake repair and maintenance should be done by a qualified mechanic.

**Engine Carriage**



BOM ID	Part No.	Description	Qty
64	1061S140	Isolator Pad, Small	2
65	1061S141	Isolator Pad, Large	2
66	1061W111	Engine Skid Weldment, CR70	1
67	Z62713	Copper Ground Strap x 9"	1
68	Z71225	Hex Bolt, 5/16NC x 2-1/2"	1
69	Z71515	Hex Bolt, 1/2NC x 1-1/2"	8
70	Z72251	Hex Lock Nut, 1/2NC	8
71	Z72261	Hex Lock Nut, 5/8NC	2
72	Z72531	Serrated Flange Locknut, 3/8NC	8
73	Z72956	Rivet Nut, 5/16NC x 150	1
74	Z72957	Rivet Nut, 5/16NC x 312	1
75	Z76121	Flange Bolt, 5/16NC x 3/4"	1
76	Z79464	Double Hose Clamp, 13/16" OD	1
77	Z79932	Isolator, 2" Dia x 1-5/8" x 3/8NC	6

**Engine CR70D & CR70TD**



Note: for more information on Kubota V1505 Engine, please review the Kubota Owners Manual.

Note: A solution of 50% antifreeze and 50% water must be used in this engine. Freezing point around -36° c (-34° F) Do not use 100% anti-freeze, or severe damage will occur.

CR70D Chassis Weldment

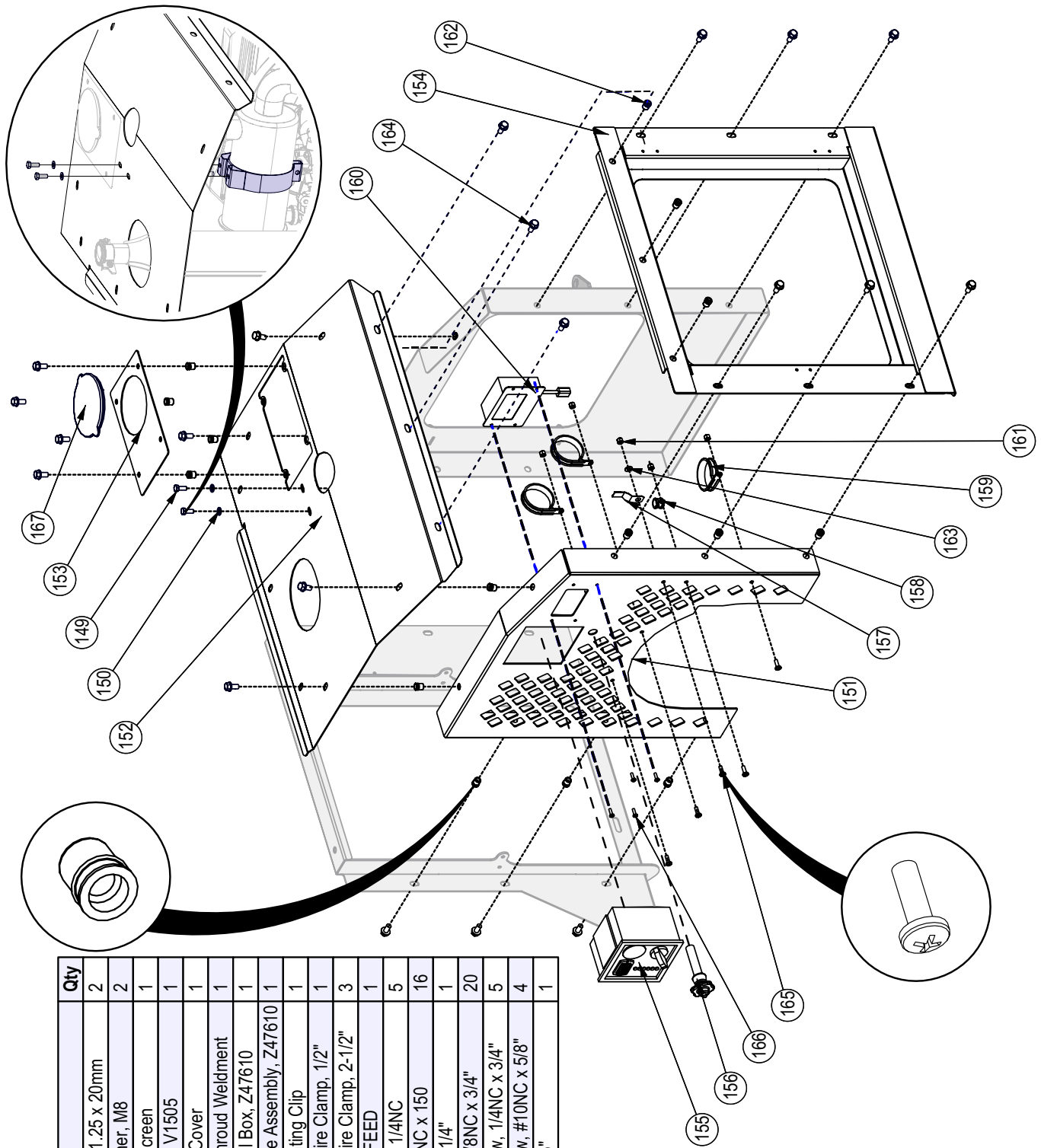
Engine Slide Base, CR70

Engine Parts	
Part #	Description
125010007434	Primary Air Filter Element
125010006169	Air Filter Case (Includes Filter)
106200000061	Coolant Overflow Bottle
125010003915	Rad Cap
HH160-32093	Oil Filter

BOM ID	Part No.	Description	Qty
77	Z41523	Hub, SDS x 1-7/16"	1
78	Z41710	Double Sheave, 2B62 x SDS	1
79	Z46555	Key, 3/8 x 3/8 x 2	1
80	Z47610	Kubota V1505 c/w Clutch and Kits	1
81	Z47611	Kubota V1505T c/w Clutch and Kits	1
82	Z71113	Hex Bolt, 1/4NC x 1-3/8"	3
83	Z71515	Hex Bolt, 1/2NC x 1-1/2"	9
84	Z73311	Split Lock Washer, 1/4"	3
85	Z74111	Set Screw, 1/4NC x 1/4"	1
86	Z77362	Int - Ext Tooth Washer, M10	1
87	Z77363	Split Lock Washer, M10	1
88	Z77663	Hex Bolt, M10x1.25 x 25mm	1
89	Z51499	Elbow 90, MJIC X MBSPT 1208	1
90	Z51591	Straight, MHB x FJICX 1212	1
91	Z79401	Hose Clamp, SAE #16 (1-1/2")	1
92	Z62821	Rubberized Wire Clamp, 5/8"	1
93	Z71107	Hex Bolt, 1/4NC x 3/4"	1
94	Z72211	Hex Lock Nut, 1/4NC	1
95	1061L294	Throttle Bracket, CR70D	1



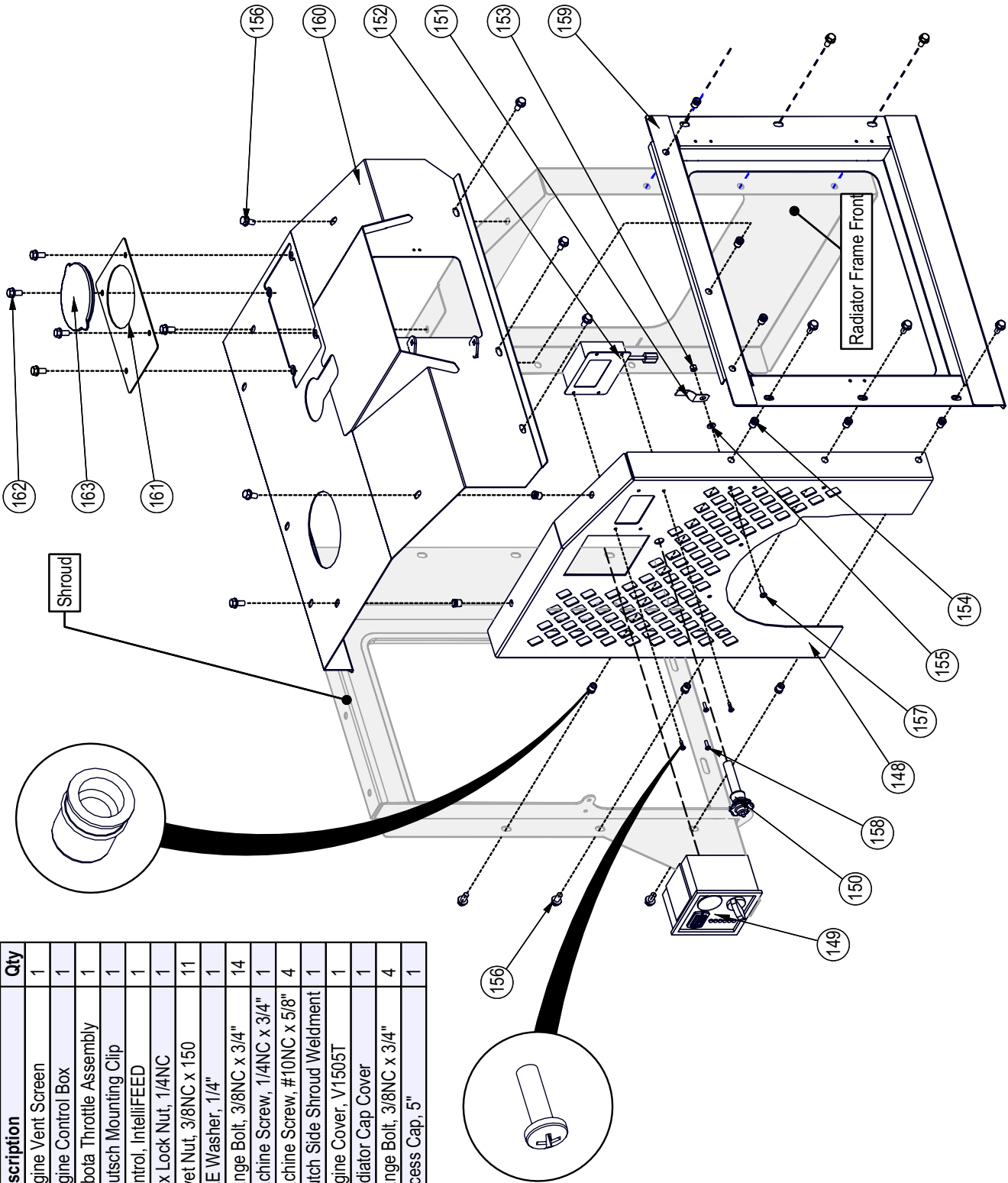
**Engine Shroud - CR70D**



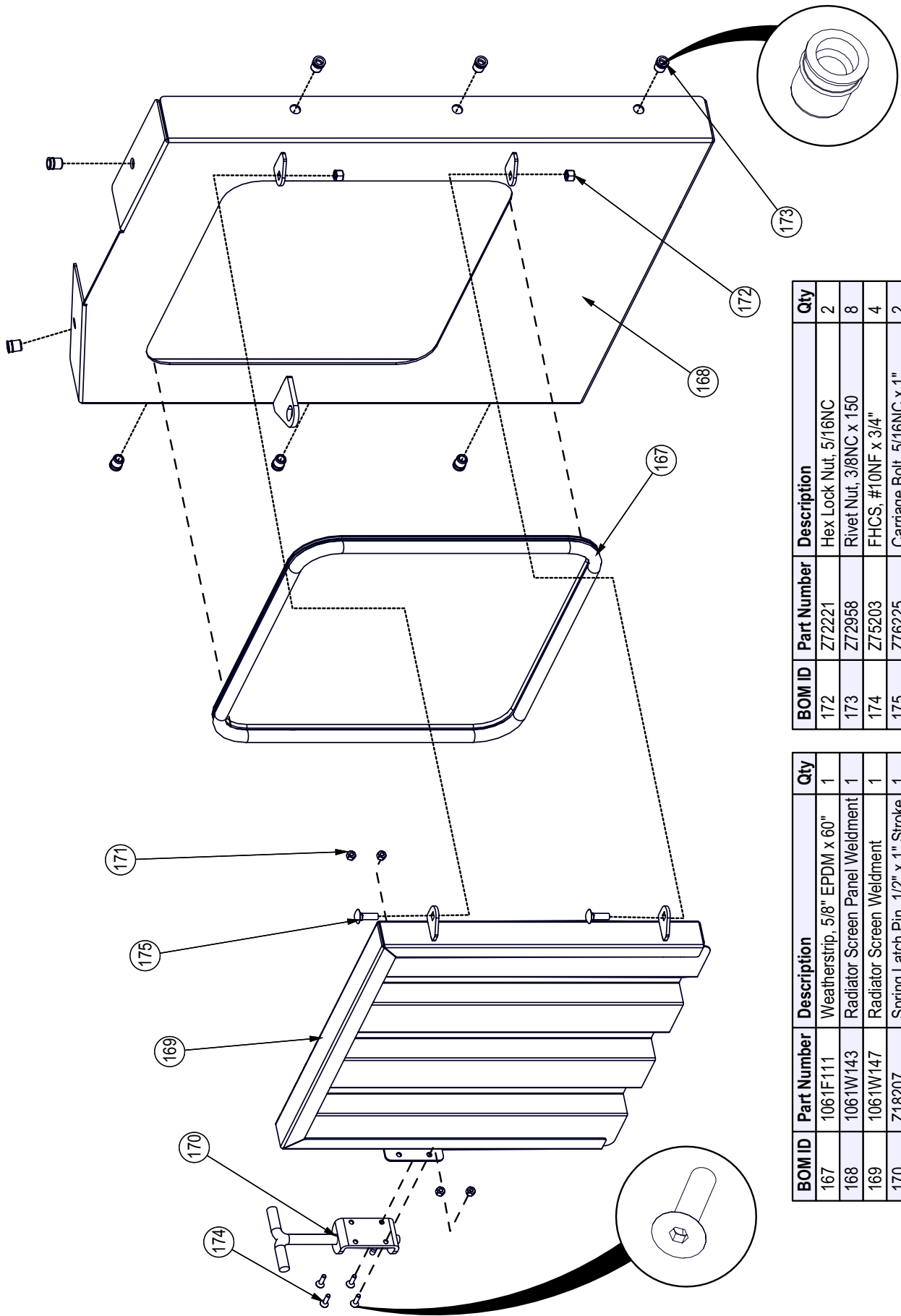
BOM ID	Part Number	Description	Qty
149	Z77150	Hex Bolt, M8x1.25 x 20mm	2
150	Z77352	DIN 125 Washer, M8	2
151	1061L244	Engine Vent Screen	1
152	1061L254	Engine Cover, V1505	1
153	1061L257	Radiator Cap Cover	1
154	1061W144	Clutch Side Shroud Weldment	1
155	Z47610-3	Engine Control Box, Z47610	1
156	Z47610-4	Kubota Throttle Assembly, Z47610	1
157	Z62816	Deutsch Mounting Clip	1
158	Z62819	Rubberized Wire Clamp, 1/2"	1
159	Z62826	Rubberized Wire Clamp, 2-1/2"	3
160	Z66204	Control, IntelliFEED	1
161	Z72211	Hex Lock Nut, 1/4NC	5
162	Z72958	Rivet Nut, 3/8NC x 150	16
163	Z73111	SAE Washer, 1/4"	1
164	Z76133	Flange Bolt, 3/8NC x 3/4"	20
165	Z78301	Machine Screw, 1/4NC x 3/4"	5
166	Z78312	Machine Screw, #10NC x 5/8"	4
167	Z93325	Access Cap, 5"	1

**Engine Shroud - CR70TD**

BOM ID	Part No.	Description	Qty
148	1061L288	Engine Vent Screen	1
149	Z47608-1	Engine Control Box	1
150	Z47608-2	Kubota Throttle Assembly	1
151	Z62816	Deutsch Mounting Clip	1
152	Z66204	Control, IntelliFEED	1
153	Z72211	Hex Lock Nut, 1/4NC	1
154	Z72958	Rivet Nut, 3/8NC x 150	11
155	Z73111	SAE Washer, 1/4"	1
156	Z76133	Flange Bolt, 3/8NC x 3/4"	14
157	Z78301	Machine Screw, 1/4NC x 3/4"	1
158	Z78312	Machine Screw, #10NC x 5/8"	4
159	1061W161	Clutch Side Shroud Weldment	1
160	1061W164	Engine Cover, V1505T	1
161	1061L257	Radiator Cap Cover	1
162	Z76133	Flange Bolt, 3/8NC x 3/4"	4
163	Z93325	Access Cap, 5"	1



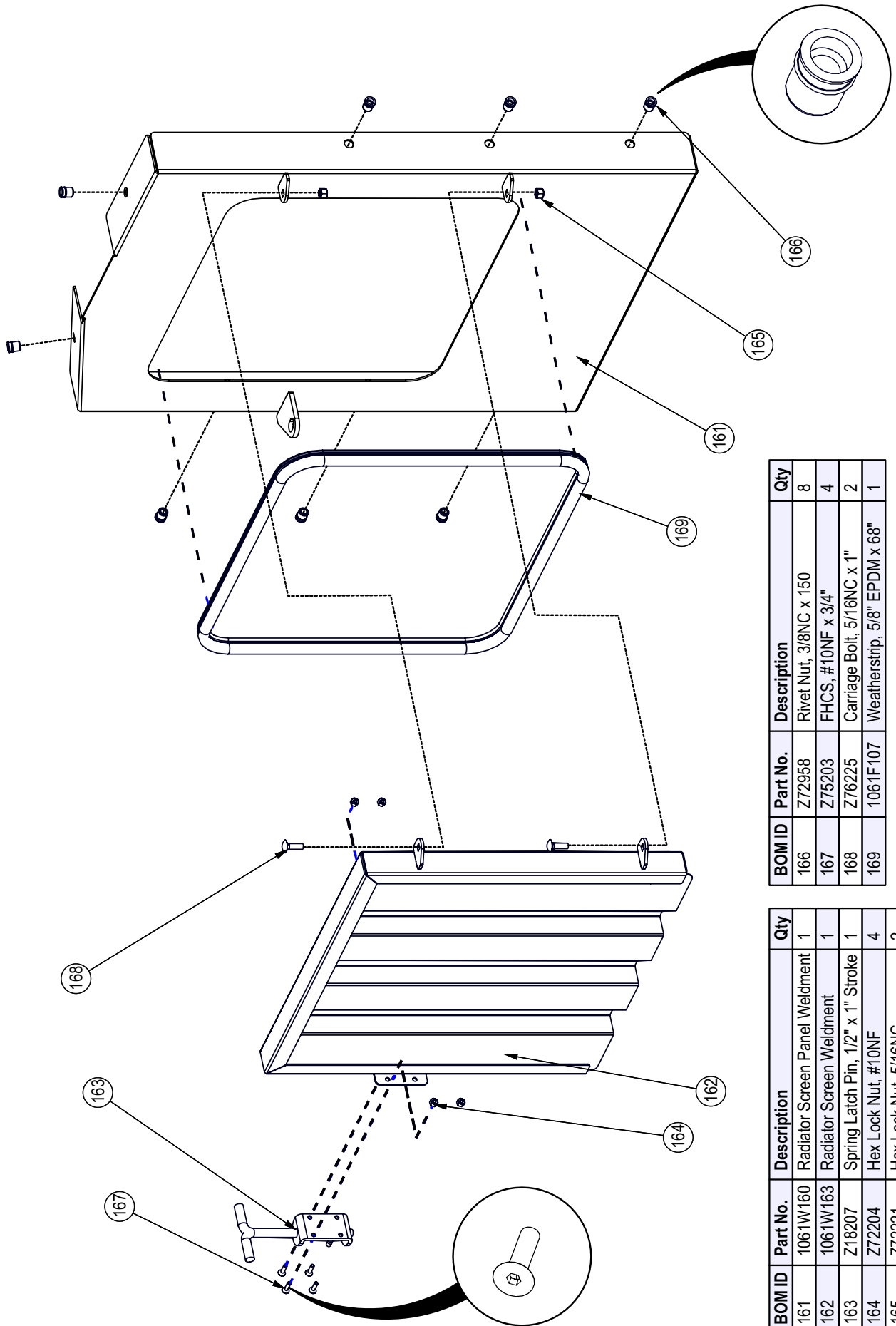
**Radiator Door & Shroud - CR70D**



BOM ID	Part Number	Description	Qty
172	Z72221	Hex Lock Nut, 5/16NC	2
173	Z72958	Rivet Nut, 3/8NC x 150	8
174	Z75203	FHCS, #10NF x 3/4"	4
175	Z76225	Carriage Bolt, 5/16NC x 1"	2

BOM ID	Part Number	Description	Qty
167	1061F111	Weatherstrip, 5/8" EPDM x 60"	1
168	1061W143	Radiator Screen Panel Weldment	1
169	1061W147	Radiator Screen Weldment	1
170	Z18207	Spring Latch Pin, 1/2" x 1" Stroke	1
171	Z72204	Hex Lock Nut, #10NF	4

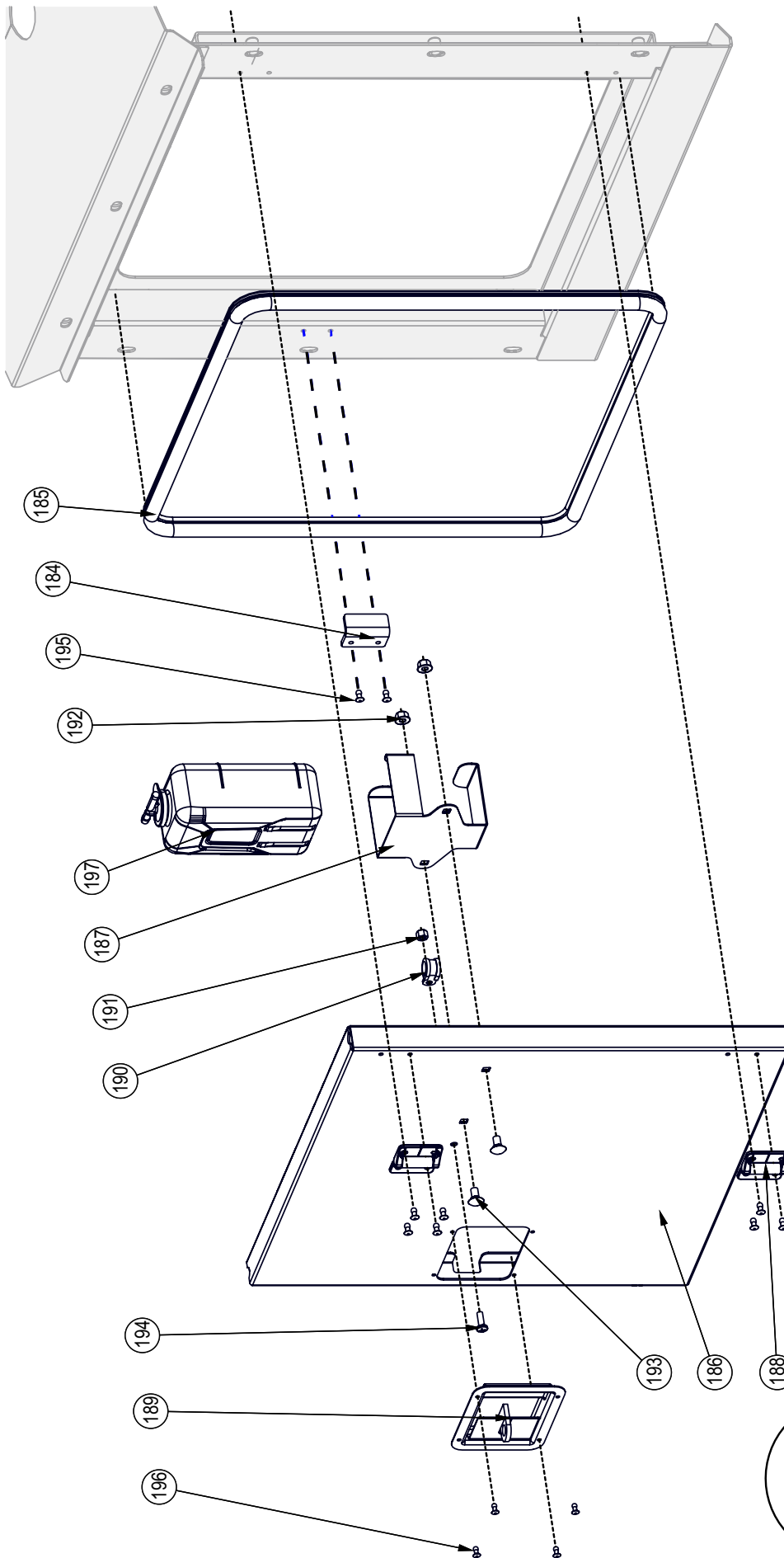
**Radiator Door & Shroud - CR70TD**



BOM ID	Part No.	Description	Qty
166	Z72958	Rivet Nut, 3/8NC x 150	8
167	Z75203	FHCS, #10NF x 3/4"	4
168	Z76225	Carriage Bolt, 5/16NC x 1"	2
169	1061F107	Weatherstrip, 5/8" EPDM x 68"	1

BOM ID	Part No.	Description	Qty
161	1061W160	Radiator Screen Panel Weldment	1
162	1061W163	Radiator Screen Weldment	1
163	Z18207	Spring Latch Pin, 1/2" x 1" Stroke	1
164	Z72204	Hex Lock Nut, #10NF	4
165	Z72221	Hex Lock Nut, 5/16NC	2

**Engine Access Door - CR70D**



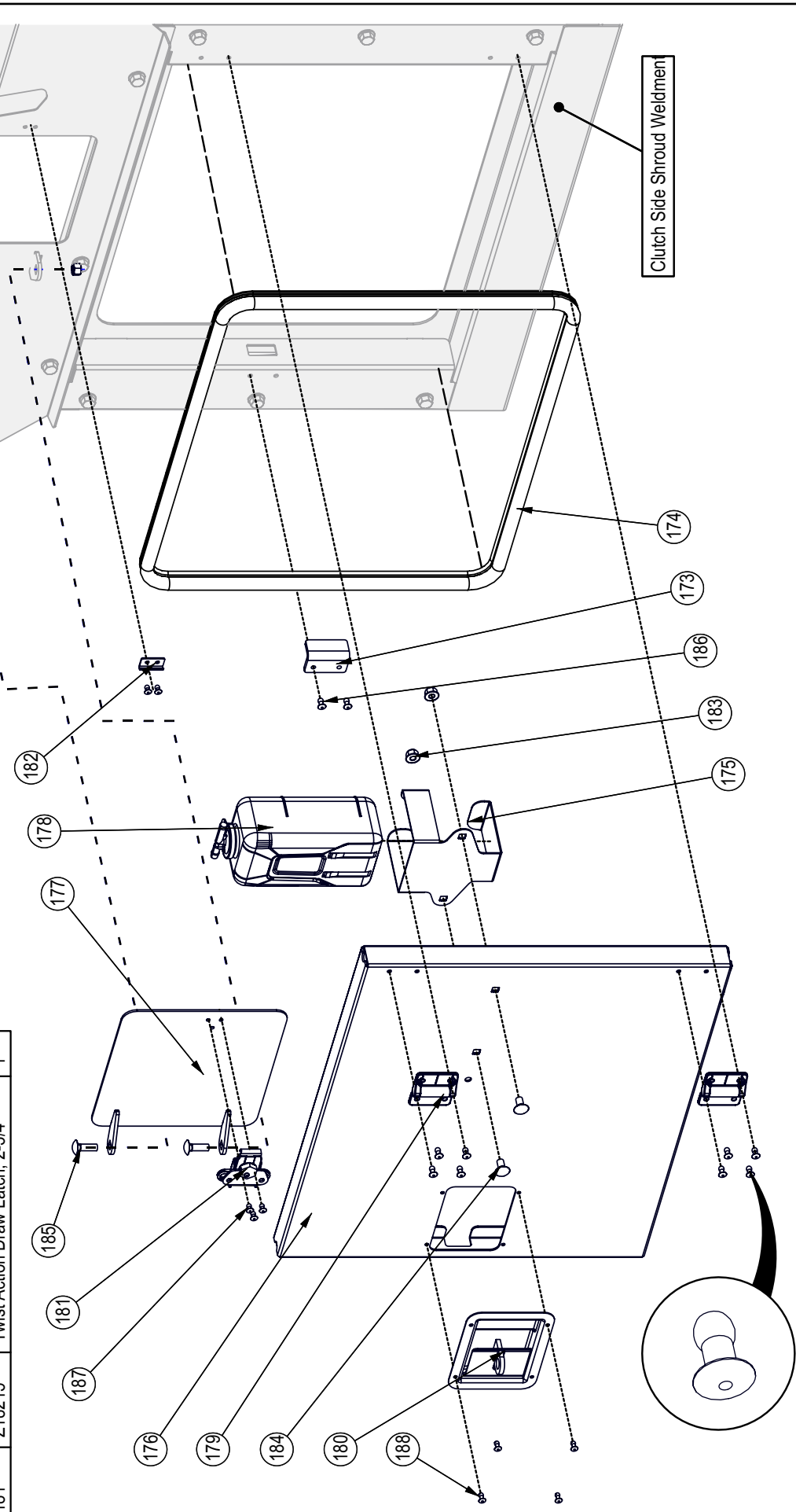
BOM ID	Part Number	Description	Qty
192	Z72521	Serrated Flange Locknut, 5/16NC	2
193	Z76222	Carriage Bolt, 5/16NC x 5/8"	2
194	Z78301	Machine Screw, 1/4NC x 3/4"	1
195	Z79303	Dome Head Rivet, 3/16" x 250	10
196	Z79306	Dome Head Rivet, 5/32" x 250	4
197	Z47610-2	Coolant Overflow Bottle, Z47610	1

BOM ID	Part Number	Description	Qty
184	1060L235	Latch Strike Plate	1
185	1061F112	Weatherstrip, EPDM 5/8" x 75"	1
186	1061L255	Maintenance Access Door	1
187	1061L258	Coolant Overflow Bottle Holder	1
188	Z18103	Friction Hinge, 1/4" x 2-1/4"	2
189	Z18208	Stainless Paddle Latch, Padlockable	1
190	Z62819	Rubberized Wire Clamp, 1/2"	1
191	Z72211	Hex Lock Nut, 1/4NC	1

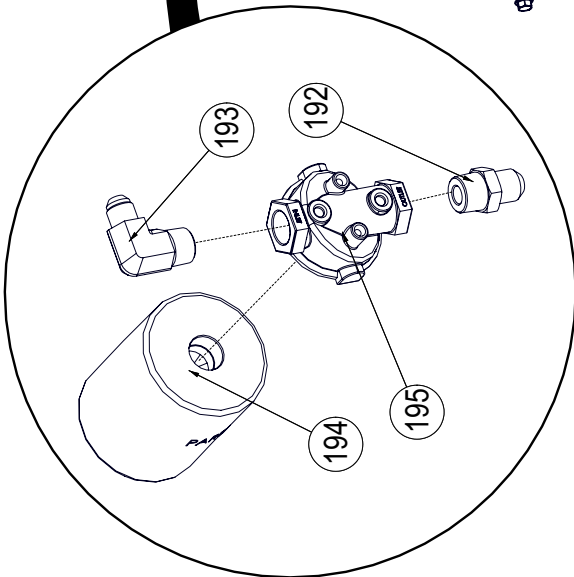
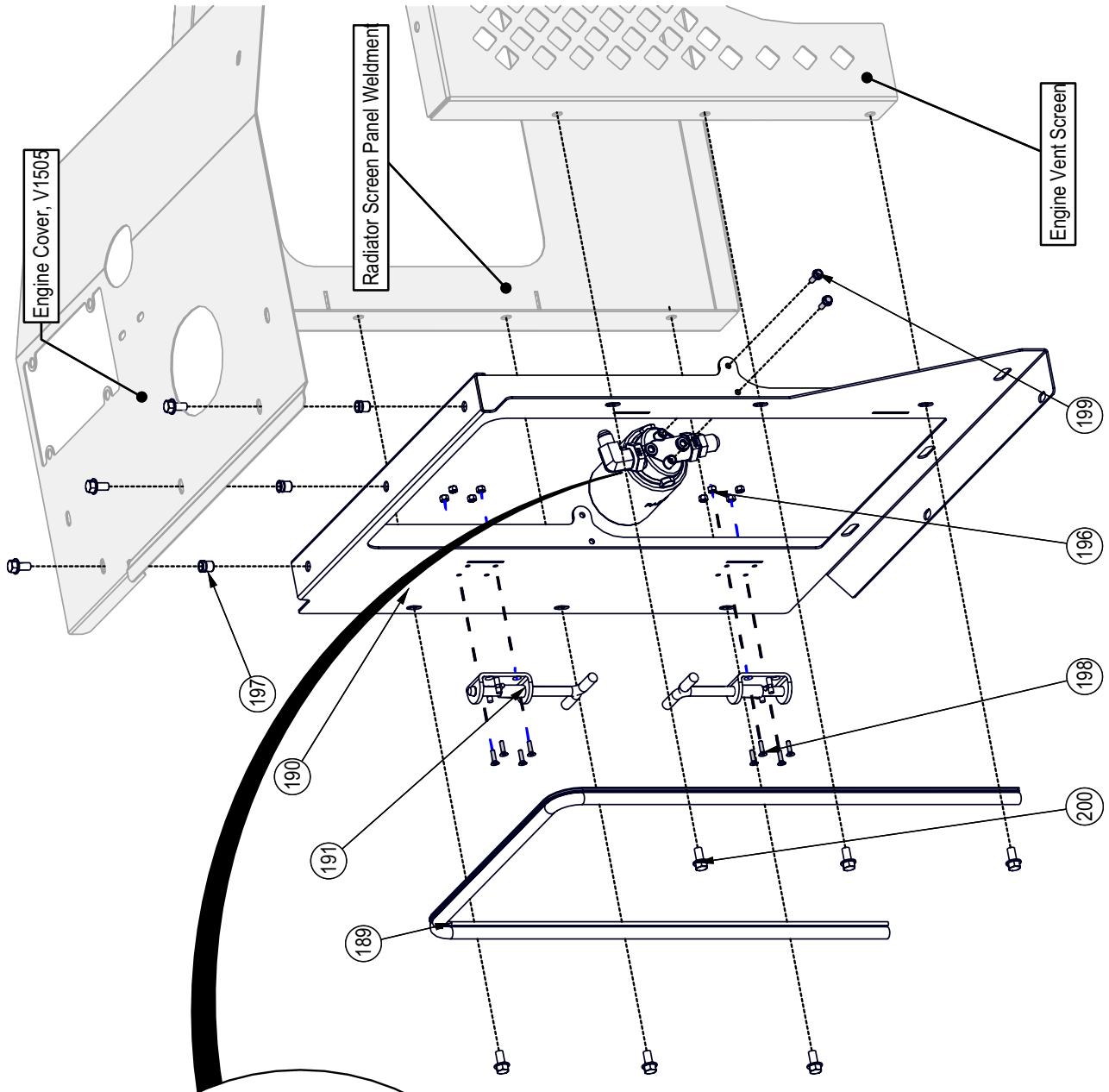
**Engine Access Door - CR70TD**

BOM ID	Part No.	Description	Qty
173	1060L235	Latch Strike Plate	1
174	1061F108	Weatherstrip, 5/8" EPDM x 71"	1
175	1061L258	Coolant Overflow Bottle Holder	1
176	1061L289	Maintenance Access Door	1
177	1061W165	Air Cleaner Access Door	1
178	Z47610-2	Coolant Overflow Bottle, Z47610	1
179	Z18103	Friction Hinge, 1/4" x 2-1/4"	2
180	Z18208	Stainless Paddle Latch, Padlockable	1
181	Z18215	Twist Action Draw Latch, 2-3/4"	1

BOM ID	Part No.	Description	Qty
182	Z18216	Catch for Z18215	1
183	Z12521	Serrated Flange Locknut, 5/16NC	2
184	Z16222	Carriage Bolt, 5/16NC x 5/8"	2
185	Z16225	Carriage Bolt, 5/16NC x 1"	2
186	Z19303	Dome Head Rivet, 3/16" x 250	10
187	Z19305	Dome Head Rivet, 5/32" x 188	5
188	Z19306	Dome Head Rivet, 5/32" x 250	4



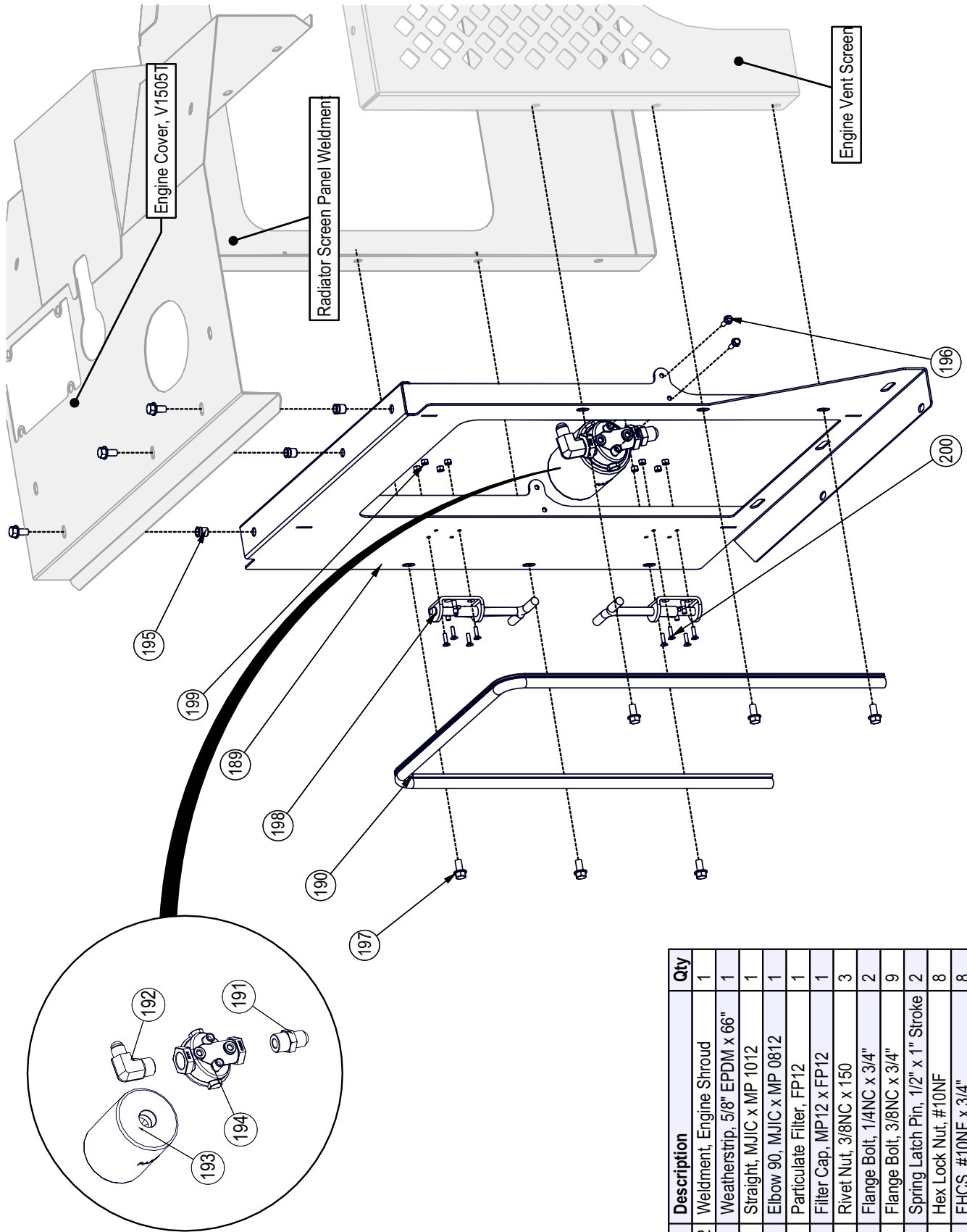
**Engine Shroud-Tank Side - CR70D**



BOM ID	Part Number	Description	Qty
189	1061F113	Weatherstrip, 5/8" EPDM x 68"	1
190	1061W146	Weldment, Engine Shroud	1
191	Z18207	Spring Latch Pin, 1/2" x 1" Stroke	2
192	Z514402	Straight, MJIC x MP 1012	1
193	Z51453	Elbow 90, MJIC x MP 0812	1
194	Z55301	Particulate Filter, FP12	1
195	Z55302	Filter Cap, MP12 x FP12	1
196	Z72204	Hex Lock Nut, #10NF	8
197	Z72958	Rivet Nut, 3/8NC x 150	3
198	Z75203	FHCS, #10NF x 3/4"	8
199	Z76111	Flange Bolt, 1/4NC x 3/4"	2
200	Z76133	Flange Bolt, 3/8NC x 3/4"	9



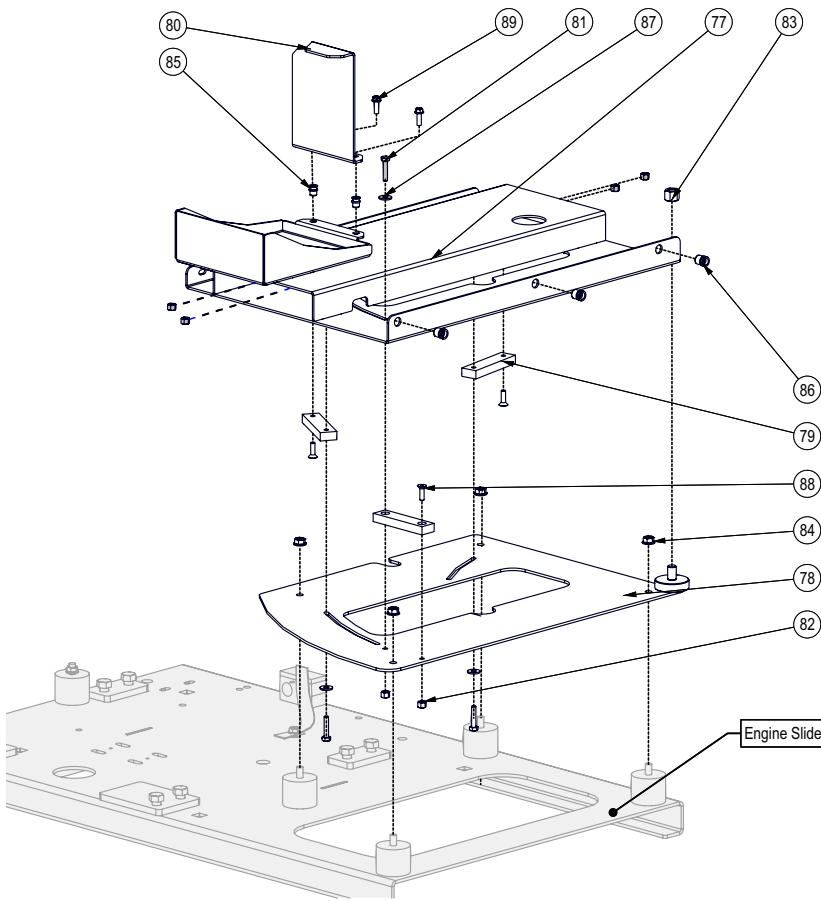
**Engine Shroud-Tank Side - CR70TD**



BOM ID	Part No.	Description	Qty
189	1061W162	Weldment, Engine Shroud	1
190	1061F104	Weatherstrip, 5/8" EPDM x 66"	1
191	Z514402	Straight, MJIC x MP 1012	1
192	Z51453	Elbow 90, MJIC x MP 0812	1
193	Z55301	Particulate Filter, FP12	1
194	Z55302	Filter Cap, MP12 x FP12	1
195	Z72958	Rivet Nut, 3/8NC x 150	3
196	Z76111	Flange Bolt, 1/4NC x 3/4"	2
197	Z76133	Flange Bolt, 3/8NC x 3/4"	9
198	Z18207	Spring Latch Pin, 1/2" x 1" Stroke	2
199	Z72204	Hex Lock Nut, #10NF	8
200	Z75203	FHCS, #10NF x 3/4"	8

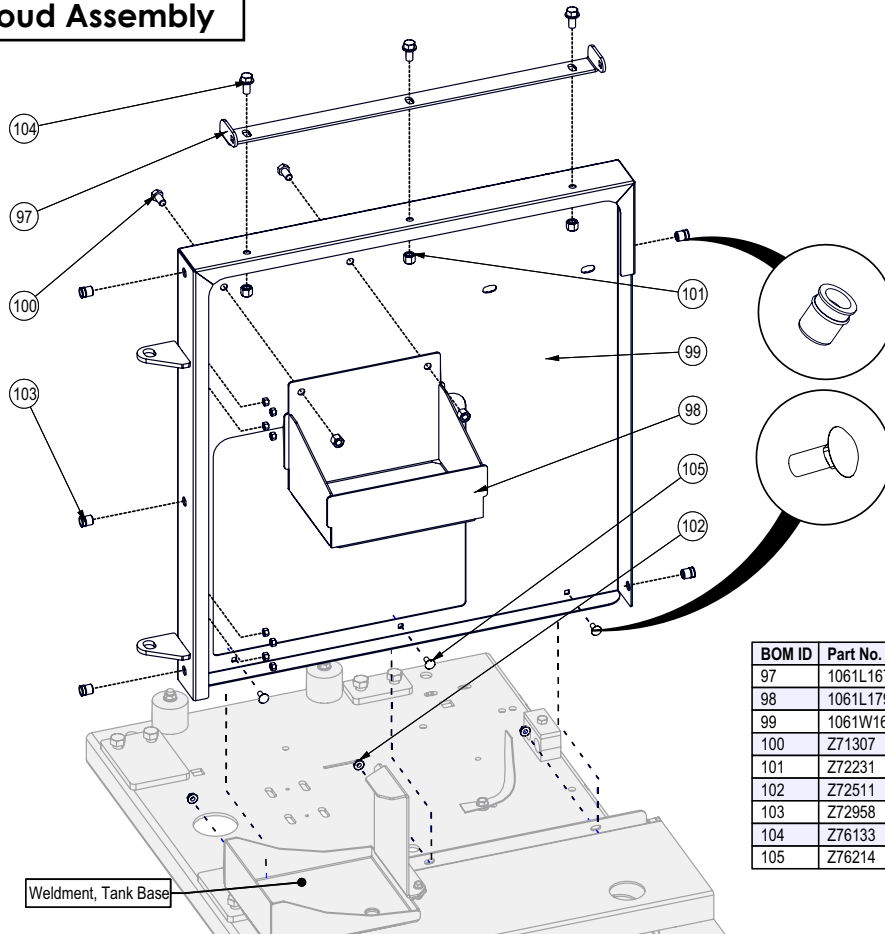


**Pivoting Tank Base**



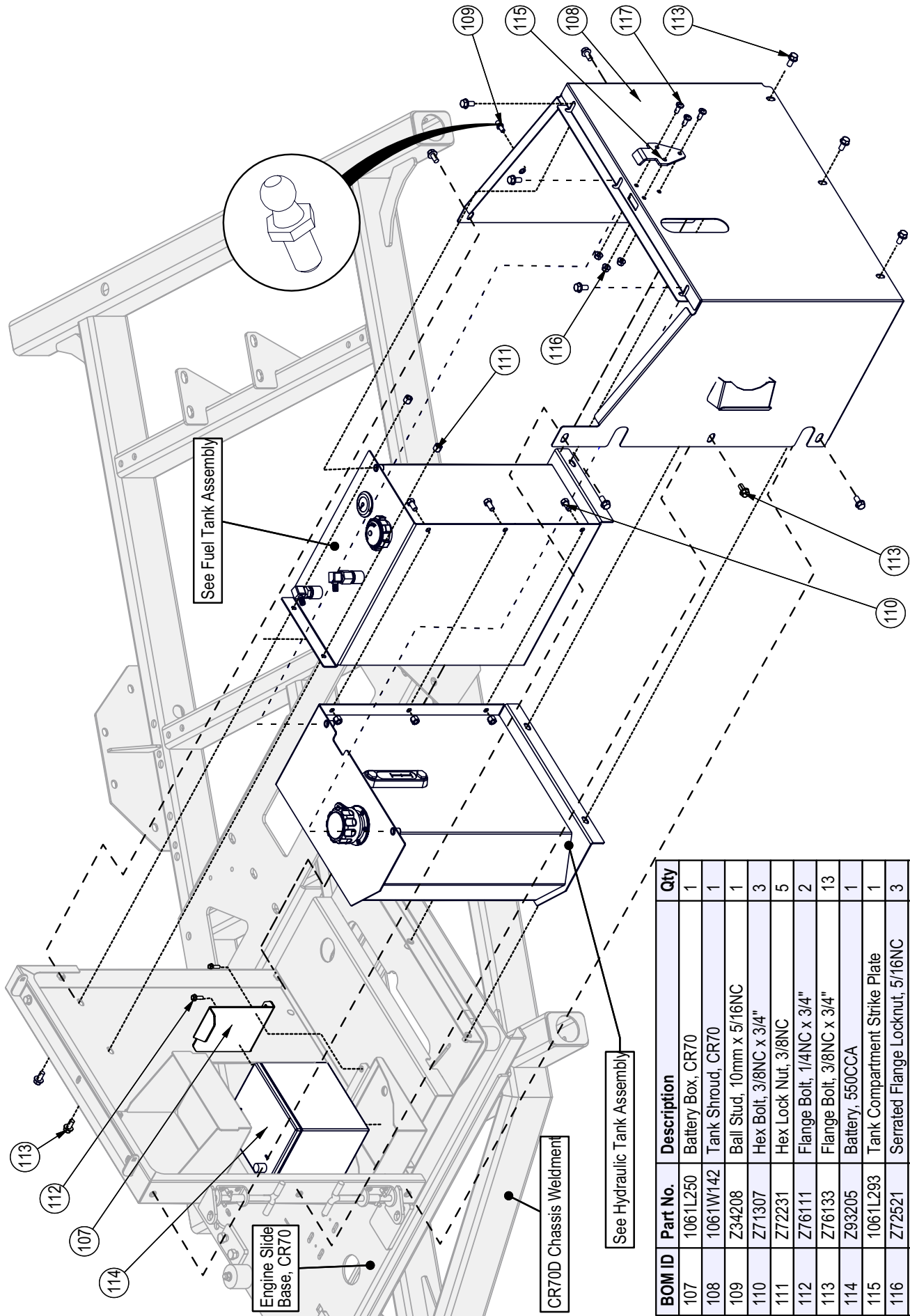
BOM ID	Part No.	Description	Qty
77	1061W145	Weldment, Tank Base	1
78	1061W148	Weldment, Pivoting Tank Base	1
79	1022S208	Rotor Hood Slide	3
80	1061L250	Battery Box, CR70	1
81	Z71112	Hex Bolt, 1/4NC x 1-1/4"	3
82	Z72211	Hex Lock Nut, 1/4NC	4
83	Z72251	Hex Lock Nut, 1/2NC	1
84	Z72531	Serrated Flange Locknut, 3/8NC	4
85	Z72955	Rivet Nut, 1/4NC x 165	2
86	Z72958	Rivet Nut, 3/8NC x 150	3
87	Z73211	USS Washer, 1/4"	3
88	Z75211	FHCS, 1/4NC x 7/8"	3
89	Z76111	Flange Bolt, 1/4NC x 3/4"	2

**Tank / Engine Shroud Assembly**



BOM ID	Part No.	Description	Qty
97	1061L167	Tank Door Hinge Rail	1
98	1061L179	CR70 Toolbox	1
99	1061W167	Weldment, CR70D Tank Shroud	1
100	Z71307	Hex Bolt, 3/8NC x 3/4"	2
101	Z72231	Hex Lock Nut, 3/8NC	5
102	Z72511	Serrated Flange Locknut, 1/4NC	3
103	Z72958	Rivet Nut, 3/8NC x 150	5
104	Z76133	Flange Bolt, 3/8NC x 3/4"	3
105	Z76214	Carriage Bolt, 1/4NC x 5/8"	3

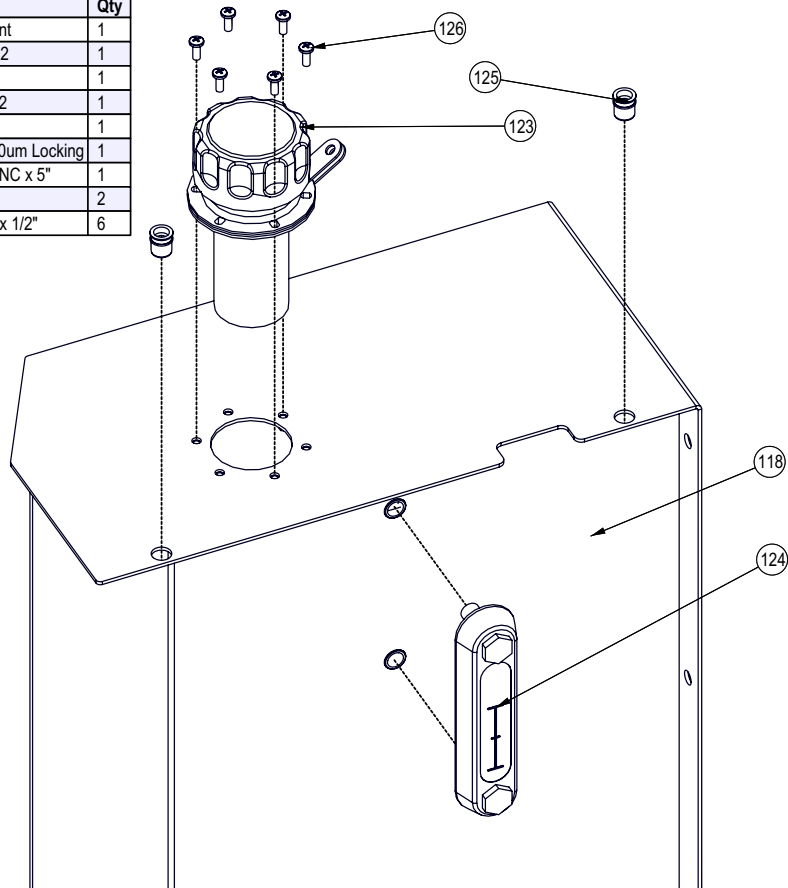
**Tank / Shroud Assembly**



BOM ID	Part No.	Description	Qty
107	1061L250	Battery Box, CR70	1
108	1061W142	Tank Shroud, CR70	1
109	Z34208	Ball Stud, 10mm x 5/16NC	1
110	Z71307	Hex Bolt, 3/8NC x 3/4"	3
111	Z72231	Hex Lock Nut, 3/8NC	5
112	Z76111	Flange Bolt, 1/4NC x 3/4"	2
113	Z76133	Flange Bolt, 3/8NC x 3/4"	13
114	Z93205	Battery, 550CCA	1
115	1061L293	Tank Compartment Strike Plate	1
116	Z72521	Serrated Flange Locknut, 5/16NC	3
117	Z78319	Machine Screw, 5/16NC x 3/4" Locking	3

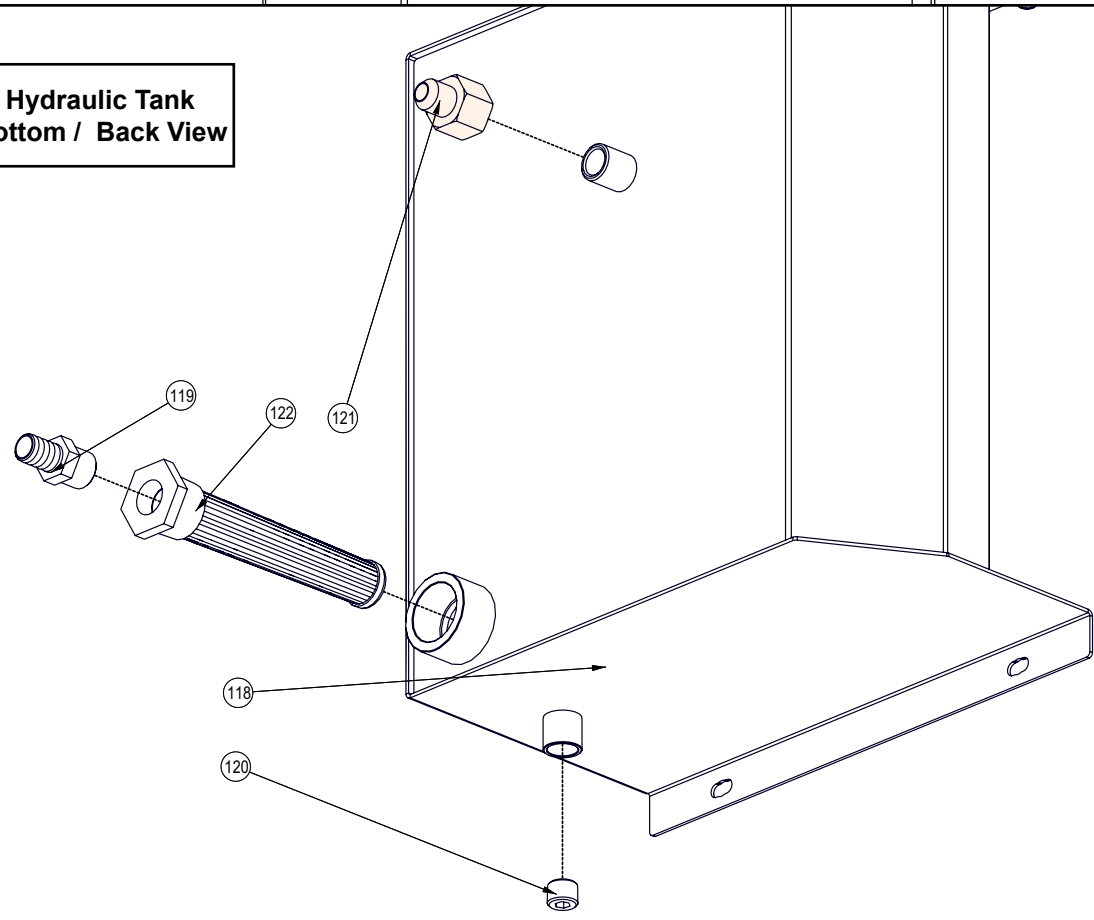
### Hydraulic Tank Assembly

BOM ID	Part No.	Description	Qty
118	1061W113	Hydraulic Tank Weldment	1
119	Z51181	Straight, MHB x MP 1212	1
120	Z51192	Socket Plug, MP 08	1
121	Z51463	Straight, MJIC x FP 1012	1
122	Z55101	Suction Strainer, MP20	1
123	Z55403	Filler Breather Cap x 400um Locking	1
124	Z55908	Level Thermometer, 1/2NC x 5"	1
125	Z72958	Rivet Nut, 3/8NC x 150	2
126	Z78303	Machine Screw, #10NF x 1/2"	6



**Hydraulic Tank  
Top / Front View**

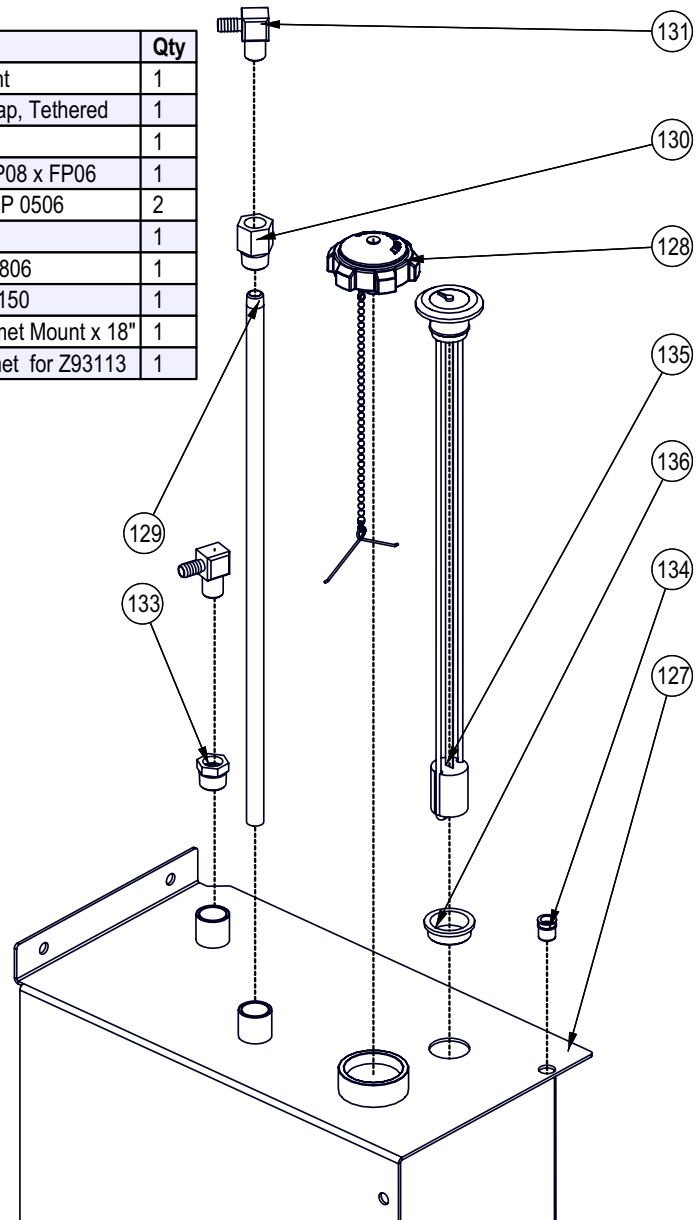
**Hydraulic Tank  
Bottom / Back View**



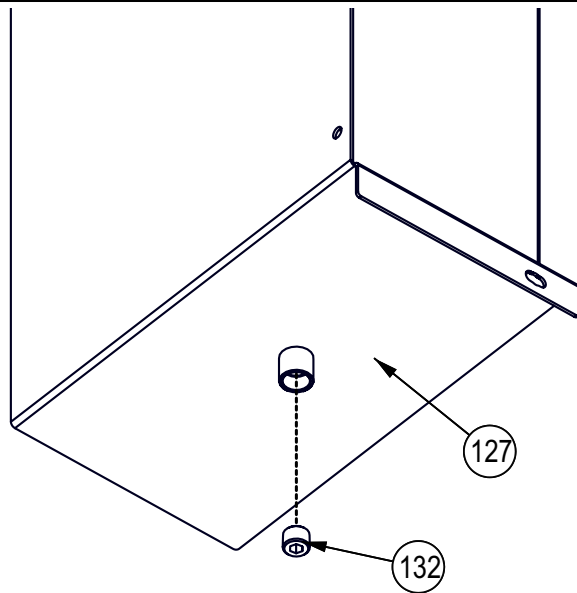
**Fuel Tank Assembly**

BOM ID	Part No.	Description	Qty
127	1061W156	Fuel Tank Weldment	1
128	1060A140	TIPS Diesel Fuel Cap, Tethered	1
129	1060S103	Fuel Pickup Tube	1
130	1060m103	Custom Adapter MP08 x FP06	1
131	Z51189	Elbow 90, MHB x MP 0506	2
132	Z51192	Socket Plug, MP 08	1
133	Z51226	Straight, MP x FP 0806	1
134	Z72958	Rivet Nut, 3/8NC x 150	1
135	Z93112	Fuel Gauge, Grommet Mount x 18"	1
136	Z93115	Fuel Gauge Grommet for Z93113	1

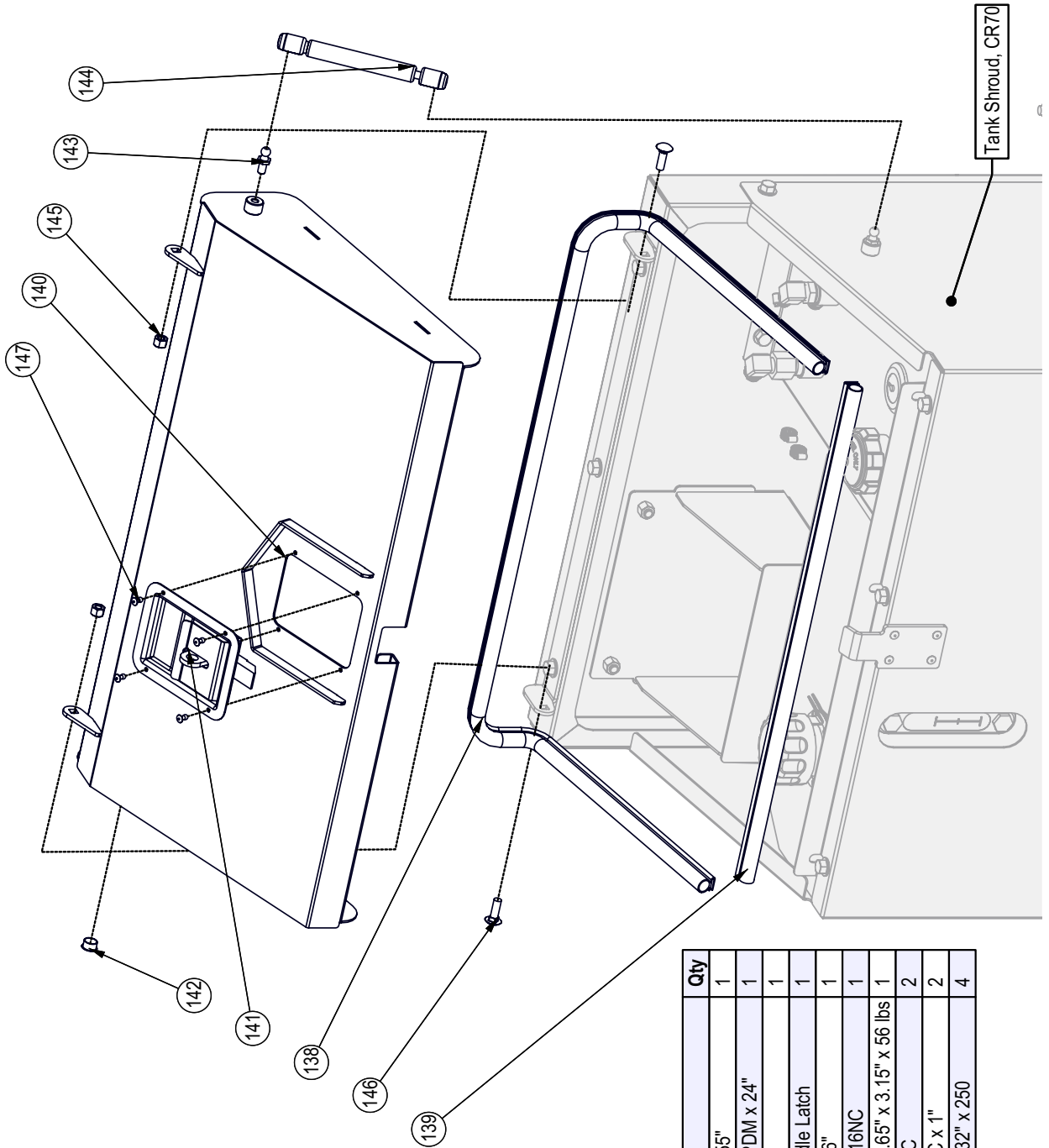
**Fuel Tank  
Top / Front View**



**Fuel Tank  
Bottom / Back View**

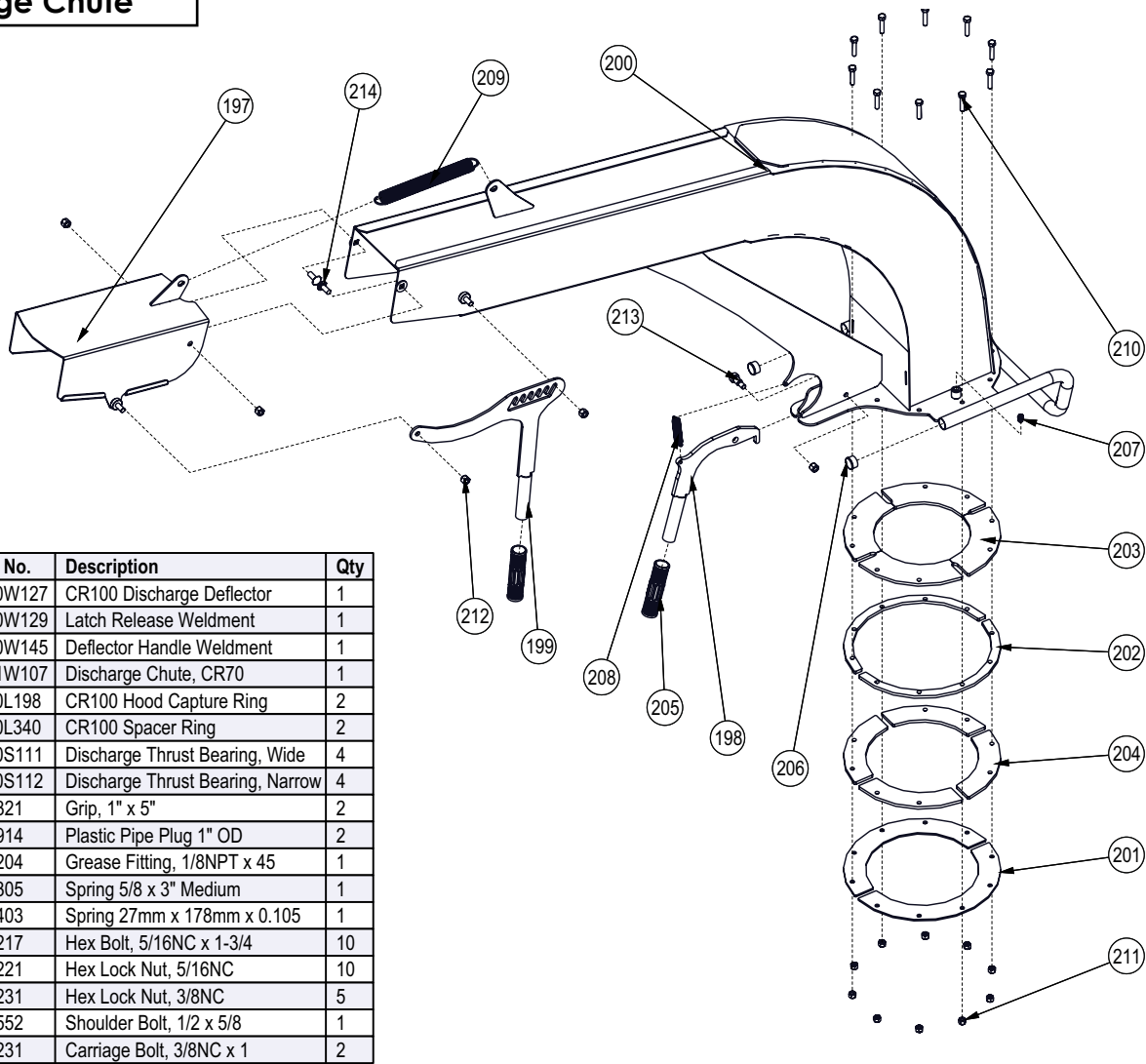


**Tank Door Assembly**



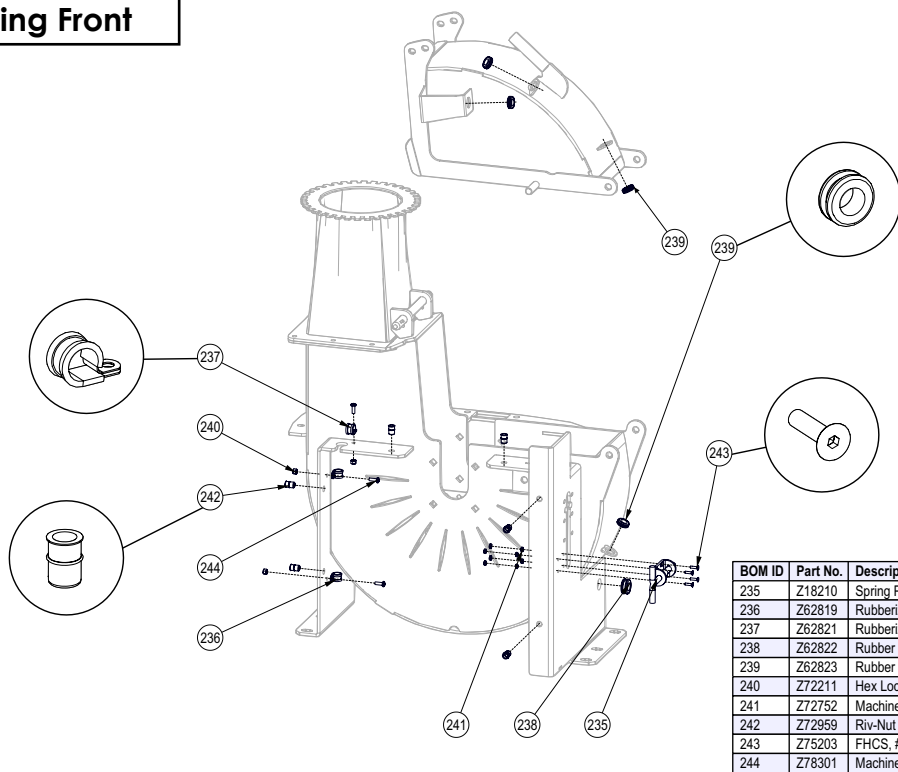
BOM ID	Part No.	Description	Qty
138	1061F105	Weatherstrip, 5/8" x 55"	1
139	1061F106	Weatherstrip, 5/8" EPDM x 24"	1
140	1061W116	Tank Door	1
141	Z18208	SS Padlockable Paddle Latch	1
142	Z19915	Plastic Hole Plug 9/16"	1
143	Z34208	Ball Stud, 10mm x 5/16NC	1
144	Z34209	Gas Spring, 8mm x 9.65" x 3.15" x 56 lbs	1
145	Z72221	Hex Lock Nut, 5/16NC	2
146	Z76225	Carriage Bolt, 5/16NC x 1"	2
147	Z79306	Dome Head Rivet, 5/32" x 250	4

**Discharge Chute**



BOM ID	Part No.	Description	Qty
197	1060W127	CR100 Discharge Deflector	1
198	1060W129	Latch Release Weldment	1
199	1060W145	Deflector Handle Weldment	1
200	1061W107	Discharge Chute, CR70	1
201	1060L198	CR100 Hood Capture Ring	2
202	1060L340	CR100 Spacer Ring	2
203	1060S111	Discharge Thrust Bearing, Wide	4
204	1060S112	Discharge Thrust Bearing, Narrow	4
205	Z19321	Grip, 1" x 5"	2
206	Z19914	Plastic Pipe Plug 1" OD	2
207	Z29204	Grease Fitting, 1/8NPT x 45	1
208	Z31305	Spring 5/8 x 3" Medium	1
209	Z31403	Spring 27mm x 178mm x 0.105	1
210	Z71217	Hex Bolt, 5/16NC x 1-3/4	10
211	Z72221	Hex Lock Nut, 5/16NC	10
212	Z72231	Hex Lock Nut, 3/8NC	5
213	Z75552	Shoulder Bolt, 1/2 x 5/8	1
214	Z76231	Carriage Bolt, 3/8NC x 1	2

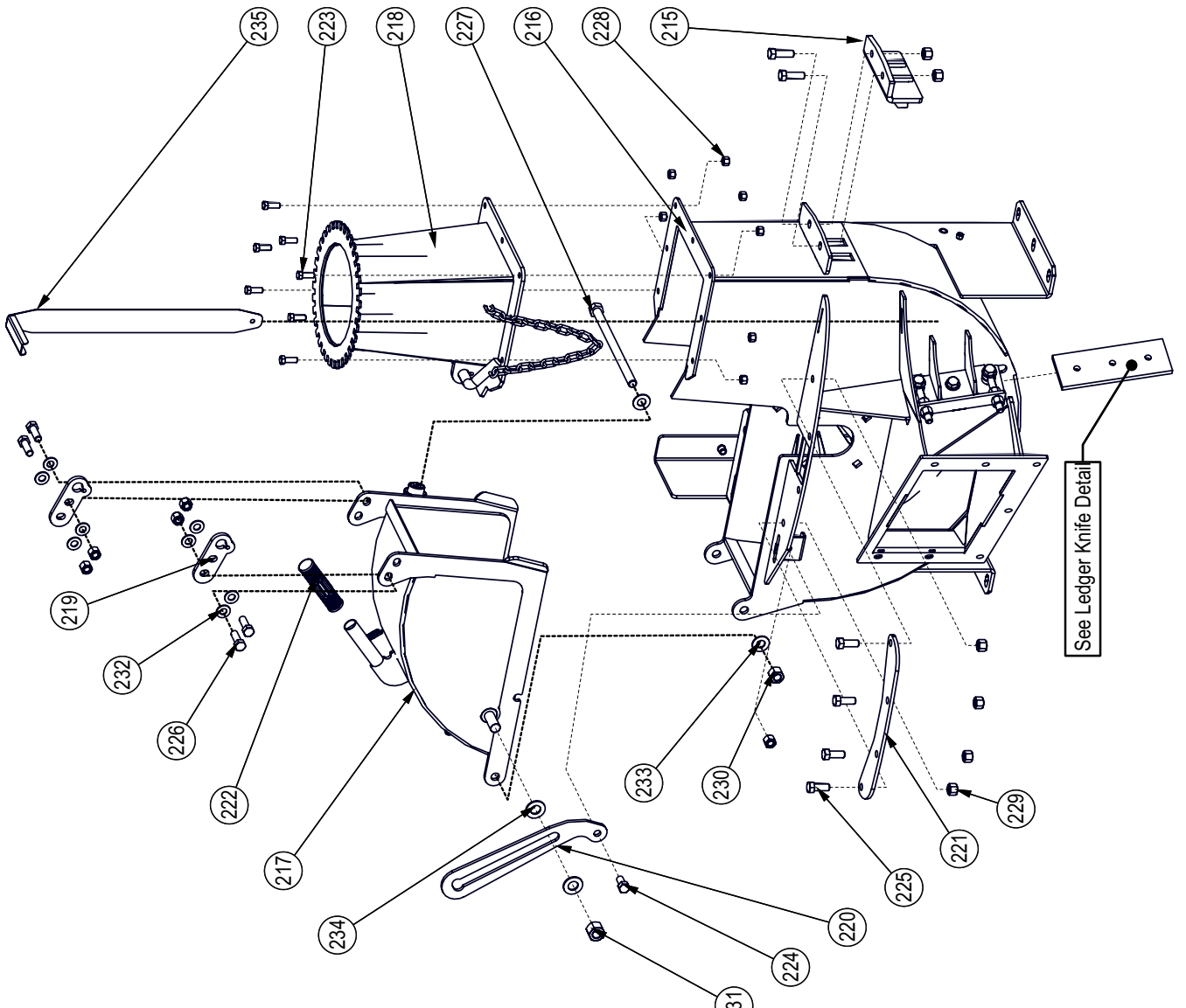
**Rotor Housing Front**



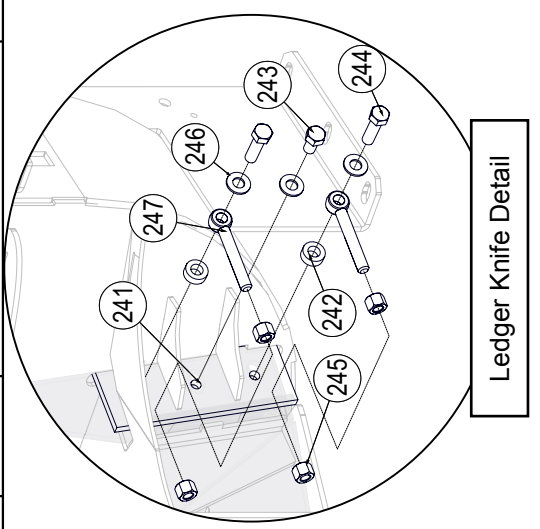
BOM ID	Part No.	Description	Qty
235	Z18210	Spring Pin 1/2 x 1" Stroke, No Pegs	1
236	Z62819	Rubberized Wire Clamp, 1/2"	2
237	Z62821	Rubberized Wire Clamp, 5/8"	1
238	Z62822	Rubber Grommet 3/4 x 1/4	1
239	Z62823	Rubber Grommet 3/4 x 1/8	4
240	Z72211	Hex Lock Nut, 1/4NC	3
241	Z72752	Machine Nut, #10-32NF	8
242	Z72959	Riv-Nut 3/8NC x 312	6
243	Z75203	FHCS, #10-32NF x 3/4	4
244	Z78301	Machine Screw, 1/4-20NC x 3/4	3



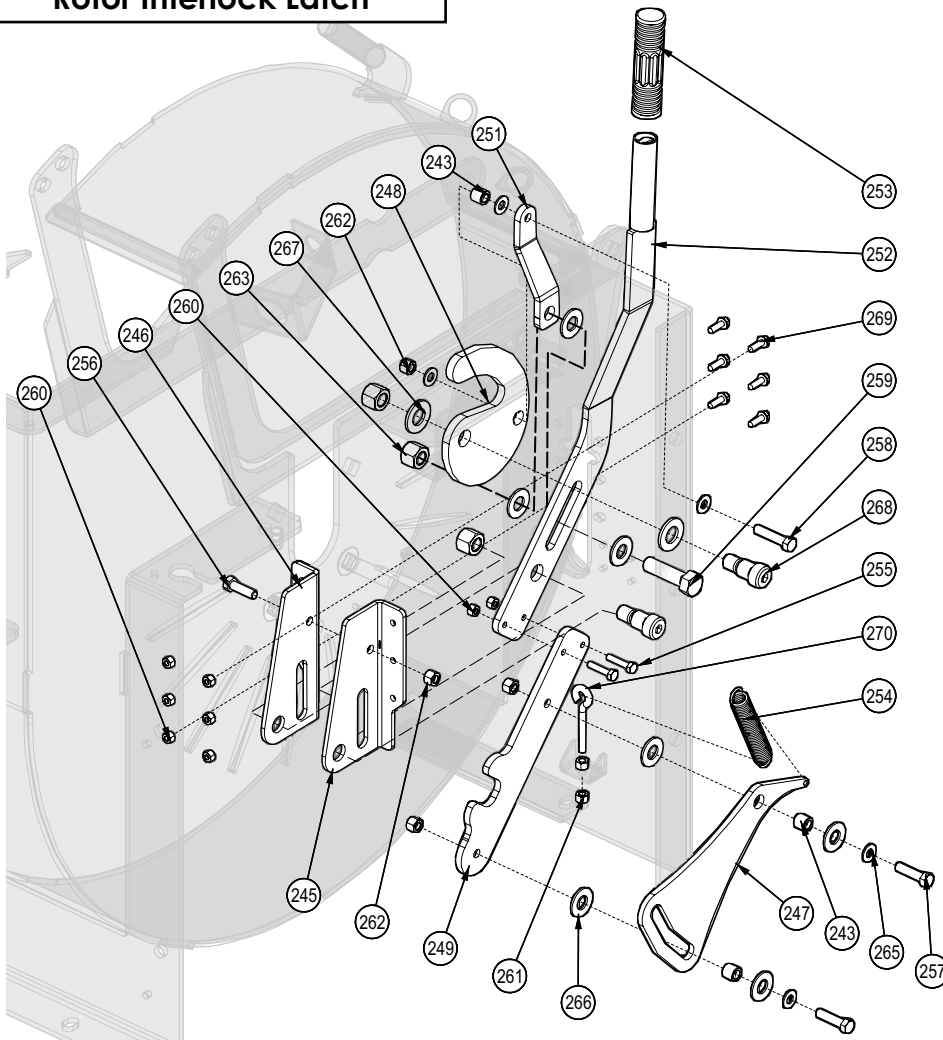
**Rotor Housing Rear**



BOM ID	Part No.	Description	Qty
215	1060W103	Twig Breaker, CR100	1
216	1061W106	Lower Housing Weldment, CR70	1
217	1061W108	CR70 Upper Housing	1
218	1061W109	Square to Round Weldment, CR70	1
219	1060L284	Hood Closure Interface	2
220	1061L142	Rotation Stop, CR70	1
221	1061L197	Rotor Tie Plate, CR70	1
222	Z19321	Grip, 1" x 5"	1
223	Z11310	Hex Bolt, 3/8NC x 1	7
224	Z11510	Hex Bolt, 1/2NC x 1	1
225	Z11512	Hex Bolt, 1/2NC x 1-1/4	4
226	Z11515	Hex Bolt, 1/2NC x 1-1/2	6
227	Z11662	Hex Bolt, 5/8NC x 10	1
228	Z12231	Hex Lock Nut, 3/8NC	7
229	Z12251	Hex Lock Nut, 1/2NC	11
230	Z12261	Hex Lock Nut, 5/8NC	1
231	Z12271	Hex Lock Nut, 3/4NC	1
232	Z13151	Flat Washer, 1/2	8
233	Z13161	Flat Washer, 5/8	2
234	Z13171	Flat Washer, 3/4"	2
235	1012L269	Gauge, Ledger Setting	1
236	1012M204	Knife, BX62 Ledger	1
239	Z11579G8	Hex Bolt, 1/2NF x 1-3/4 Gr8	2
240	Z12251	Hex Lock Nut, 1/2NC	4
242	Z13151	Flat Washer, 1/2	3

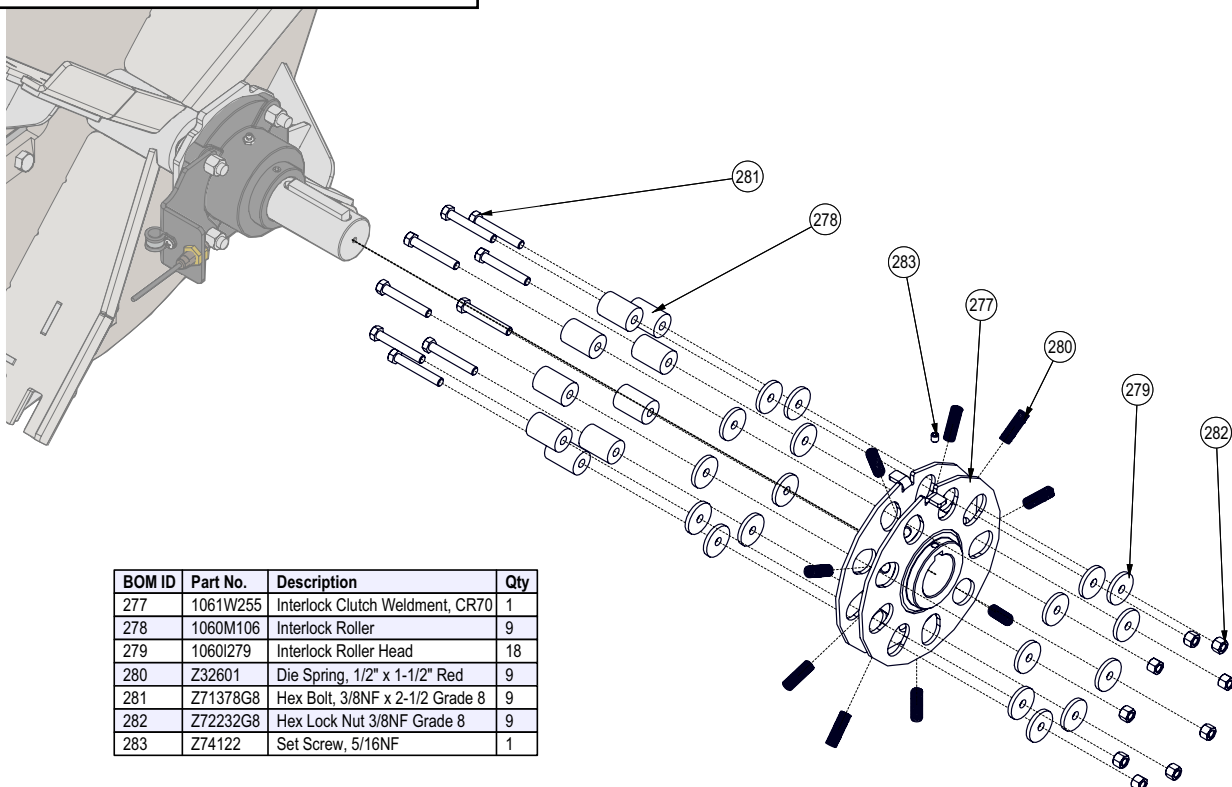


**Rotor Interlock Latch**



BOM ID	Part #	Description	Qty
243	1056M115	Spacer, Shredder .580	3
245	1060L281	Interlock Handle Base LH	1
246	1060L281H	1060L281 Mirror	1
247	1060L282	Interlock Early Warning	1
248	1060L287	Rotor Hood Safety Latch	1
249	1060L328	Interlock Tip	1
251	1060L330	Linkage	1
252	1060W256	Interlock Engage Handle	1
253	Z19321	Grip, 1" x 5"	1
254	Z31401	Spring 3/4 x 4" Heavy	1
255	Z71112	Hex Bolt, 1/4NC x 1-1/4	2
256	Z71312	Hex Bolt, 3/8NC x 1-1/4	1
257	Z71315	Hex Bolt, 3/8NC x 1-1/2	2
258	Z71317	Hex Bolt, 3/8NC x 1-3/4	1
259	Z71622	Hex Bolt, 5/8NC x 2-1/4	1
260	Z72211	Hex Lock Nut, 1/4NC	8
261	Z72221	Hex Lock Nut, 5/16NC	2
262	Z72231	Hex Lock Nut, 3/8NC	4
263	Z72261	Hex Lock Nut, 5/8NC	3
265	Z73131	Flat Washer, 3/8	5
266	Z73161	Flat Washer, 5/8	7
267	Z73171	Flat Washer, 3/4"	2
268	Z75572	Shoulder Bolt, 3/4 x 3/4	2
269	Z76111	Flange Bolt, 1/4NC x 3/4	6
270	Z76522	Eye Bolt 5/16NC x 2	1

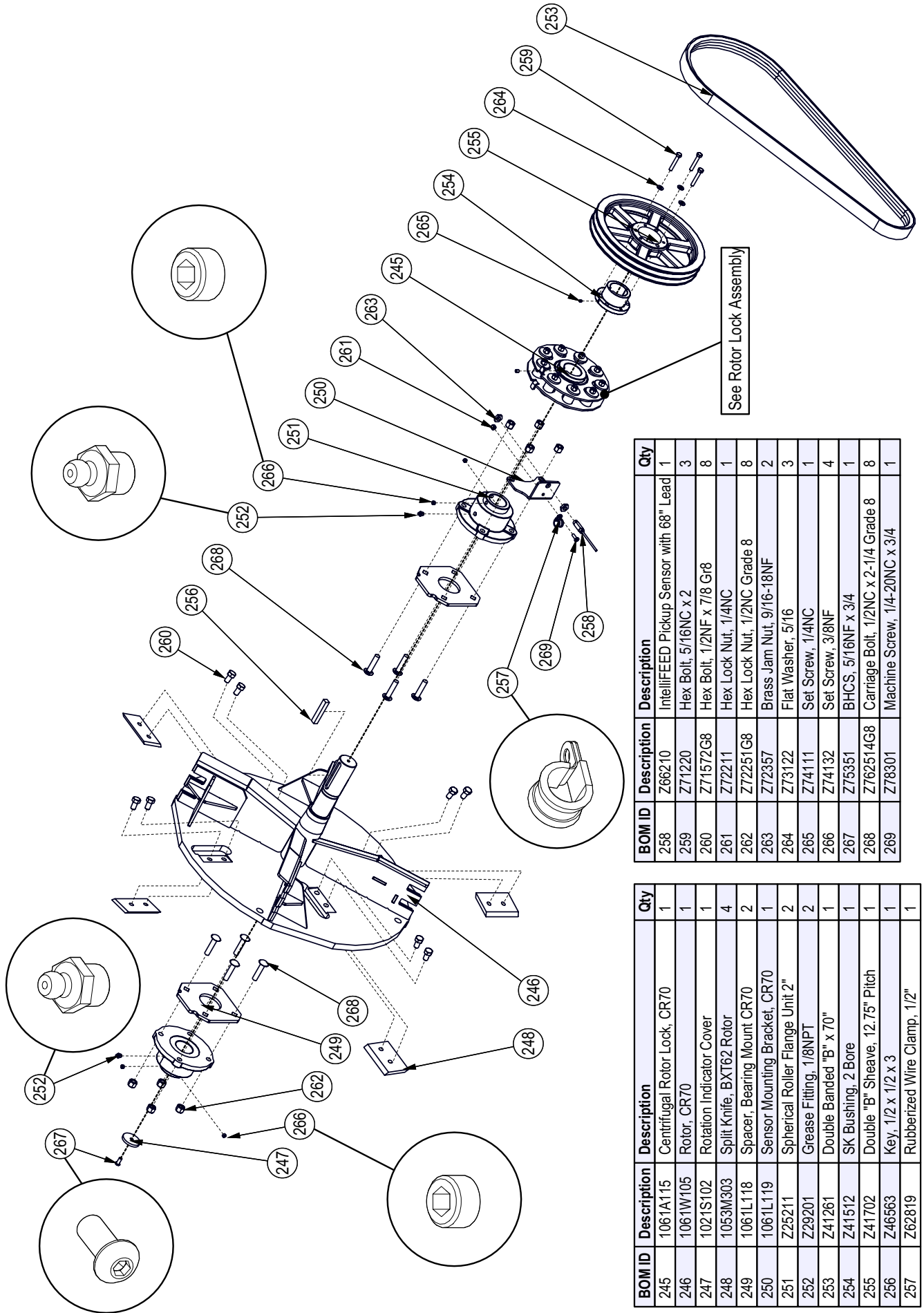
**Rotor Interlock Clutch**



BOM ID	Part No.	Description	Qty
277	1061W255	Interlock Clutch Weldment, CR70	1
278	1060M106	Interlock Roller	9
279	1060I279	Interlock Roller Head	18
280	Z32601	Die Spring, 1/2" x 1-1/2" Red	9
281	Z71378G8	Hex Bolt, 3/8NF x 2-1/2 Grade 8	9
282	Z72232G8	Hex Lock Nut 3/8NF Grade 8	9
283	Z74122	Set Screw, 5/16NF	1



**Rotor Assembly**

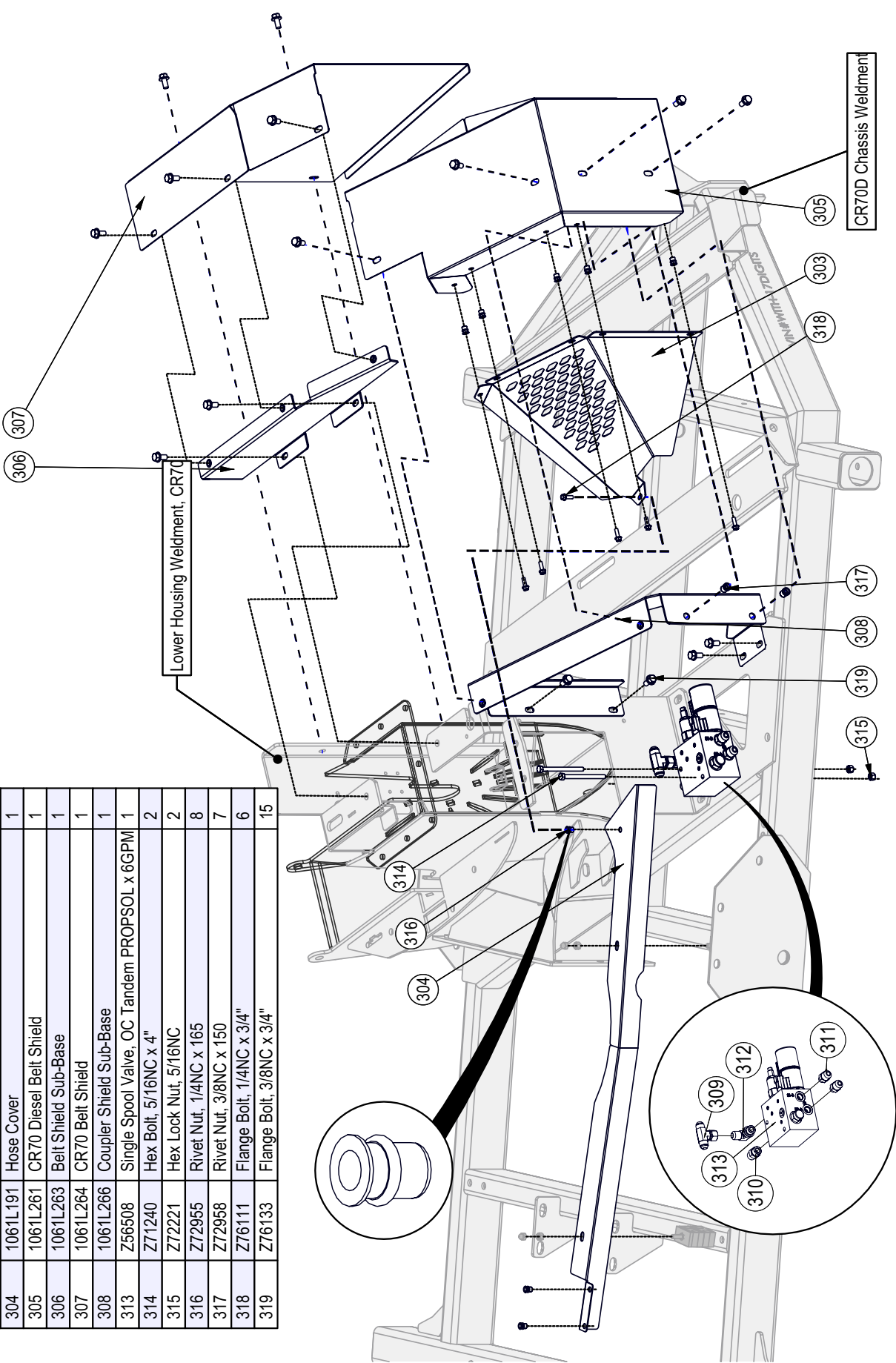


BOM ID	Description	Description	Qty
258	Z66210	IntelliFEED Pickup Sensor with 68° Lead	1
259	Z71220	Hex Bolt, 5/16NC x 2	3
260	Z71572G8	Hex Bolt, 1/2NF x 7/8 Gr8	8
261	Z72211	Hex Lock Nut, 1/4NC	1
262	Z72251G8	Hex Lock Nut, 1/2NC Grade 8	8
263	Z72357	Brass Jam Nut, 9/16-18NF	2
264	Z73122	Flat Washer, 5/16	3
265	Z74111	Set Screw, 1/4NC	1
266	Z74132	Set Screw, 3/8NF	4
267	Z76351	BHCS, 5/16NF x 3/4	1
268	Z762514G8	Carriage Bolt, 1/2NC x 2-1/4 Grade 8	8
269	Z78301	Machine Screw, 1/4-20NC x 3/4	1

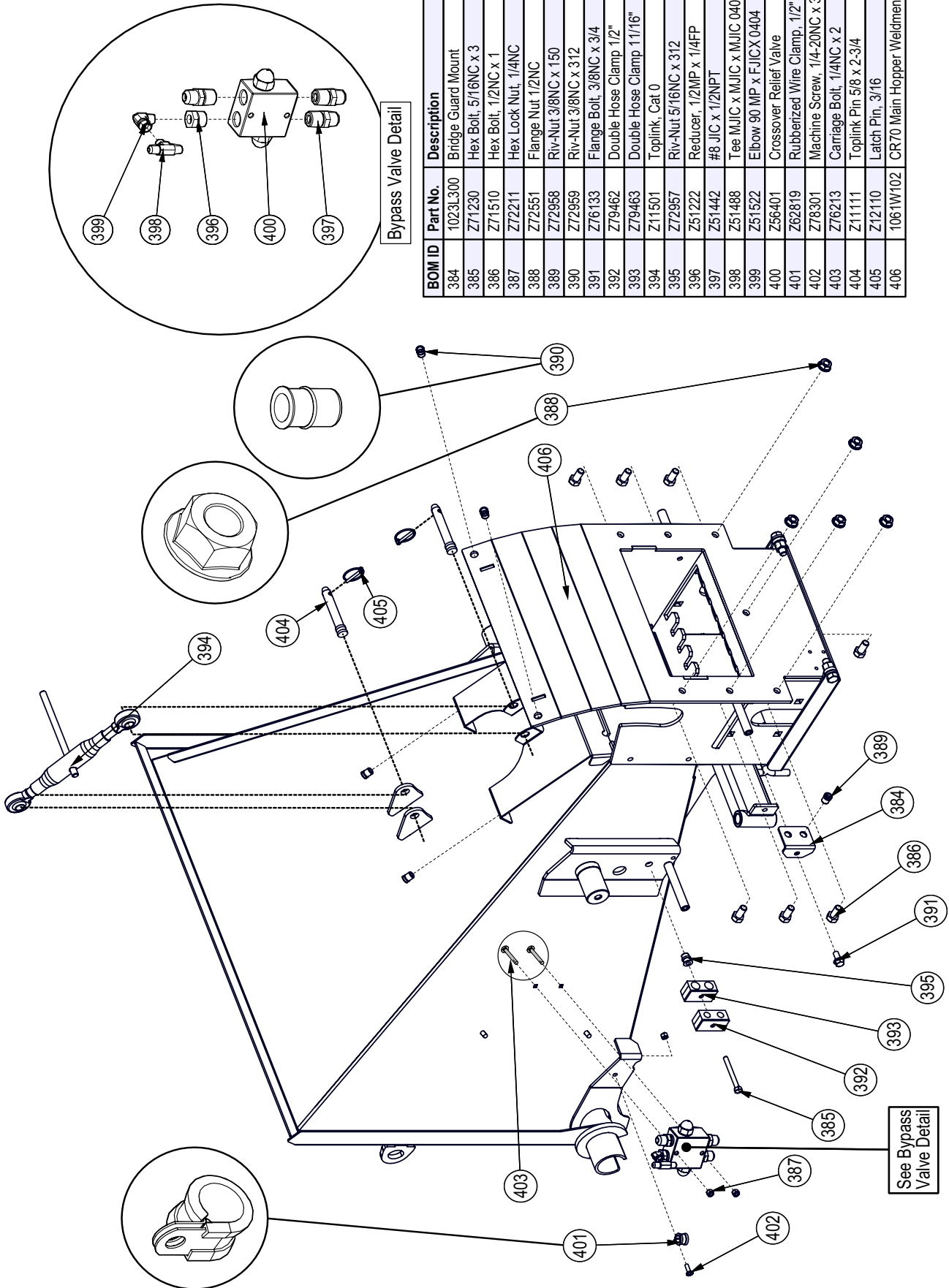
BOM ID	Description	Description	Qty
245	1061A115	Centrifugal Rotor Lock, CR70	1
246	1061W105	Rotor, CR70	1
247	1021S102	Rotation Indicator Cover	1
248	1053M303	Split Knife, BXT62 Rotor	4
249	1061L118	Spacer, Bearing Mount CR70	2
250	1061L119	Sensor Mounting Bracket, CR70	1
251	Z25211	Spherical Roller Flange Unit 2"	2
252	Z29201	Grease Fitting, 1/8NPT	2
253	Z41261	Double Banded "B" x 70"	1
254	Z41512	SK Bushing, 2 Bore	1
255	Z41702	Double "B" Sheave, 12.75" Pitch	1
256	Z46563	Key, 1/2 x 1/2 x 3	1
257	Z62819	Rubberized Wire Clamp, 1/2"	1

**Pulley Shroud**

BOM ID	Part No.	Description	Qty
303	1061L190	Hydraulic - Coupler Shield	1
304	1061L191	Hose Cover	1
305	1061L261	CR70 Diesel Belt Shield	1
306	1061L263	Belt Shield Sub-Base	1
307	1061L264	CR70 Belt Shield	1
308	1061L266	Coupler Shield Sub-Base	1
313	Z56508	Single Spool Valve, OC Tandem PROPSOL x 6GPM	1
314	Z71240	Hex Bolt, 5/16NC x 4"	2
315	Z72221	Hex Lock Nut, 5/16NC	2
316	Z72955	Rivet Nut, 1/4NC x 165	8
317	Z72958	Rivet Nut, 3/8NC x 150	7
318	Z76111	Flange Bolt, 1/4NC x 3/4"	6
319	Z76133	Flange Bolt, 3/8NC x 3/4"	15

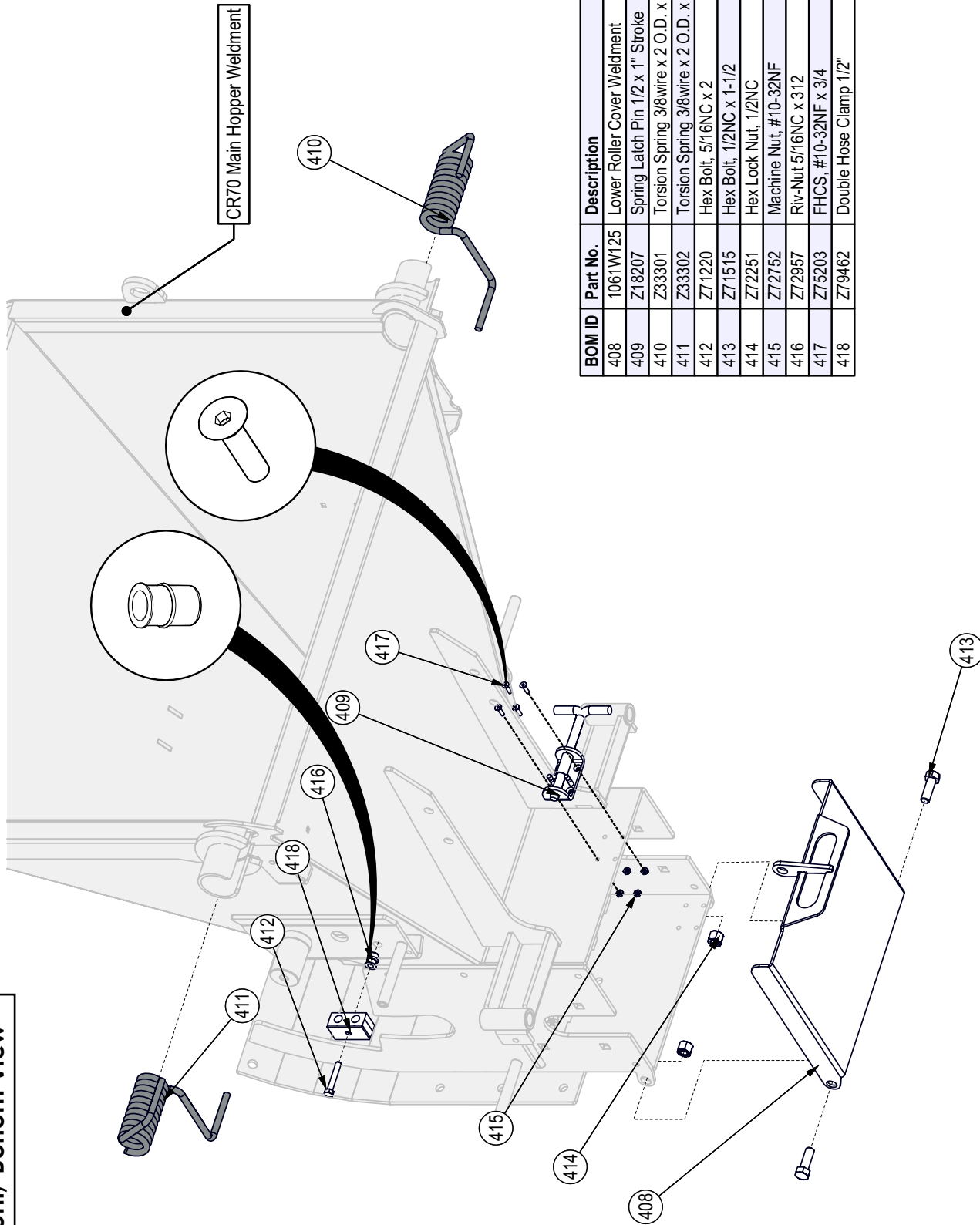


Hopper Top / Back View



BOM ID	Part No.	Description	Qty
384	1023L300	Bridge Guard Mount	1
385	Z71230	Hex Bolt, 5/16NC x 3	1
386	Z71510	Hex Bolt, 1/2NC x 1	7
387	Z72211	Hex Lock Nut, 1/4NC	3
388	Z72551	Flange Nut 1/2NC	5
389	Z72988	Riv-Nut 3/8NC x 150	3
390	Z72989	Riv-Nut 3/8NC x 312	2
391	Z76133	Flange Bolt, 3/8NC x 3/4	1
392	Z79462	Double Hose Clamp 1/2"	1
393	Z79463	Double Hose Clamp 1 1/16"	1
394	Z11501	Toplink, Cat 0	1
395	Z72957	Riv-Nut 5/16NC x 312	1
396	Z51222	Reducer, 1/2MP x 1/4FFP	1
397	Z51442	#8 JIC x 1/2NPT	2
398	Z51488	Tee MJIC x MJIC x MJIC 040404	1
399	Z51522	Elbow 90 MP x FJICX 0404	1
400	Z56401	Crossover Relief Valve	1
401	Z62819	Rubberized Wire Clamp, 1/2"	1
402	Z78301	Machine Screw, 1/4-20NC x 3/4	1
403	Z76213	Carriage Bolt, 1/4NC x 2	2
404	Z11111	Toplink Pin 5/8 x 2-3/4	2
405	Z12110	Latch Pin, 3/16	2
406	1061W102	CR70 Main Hopper Weldment	1

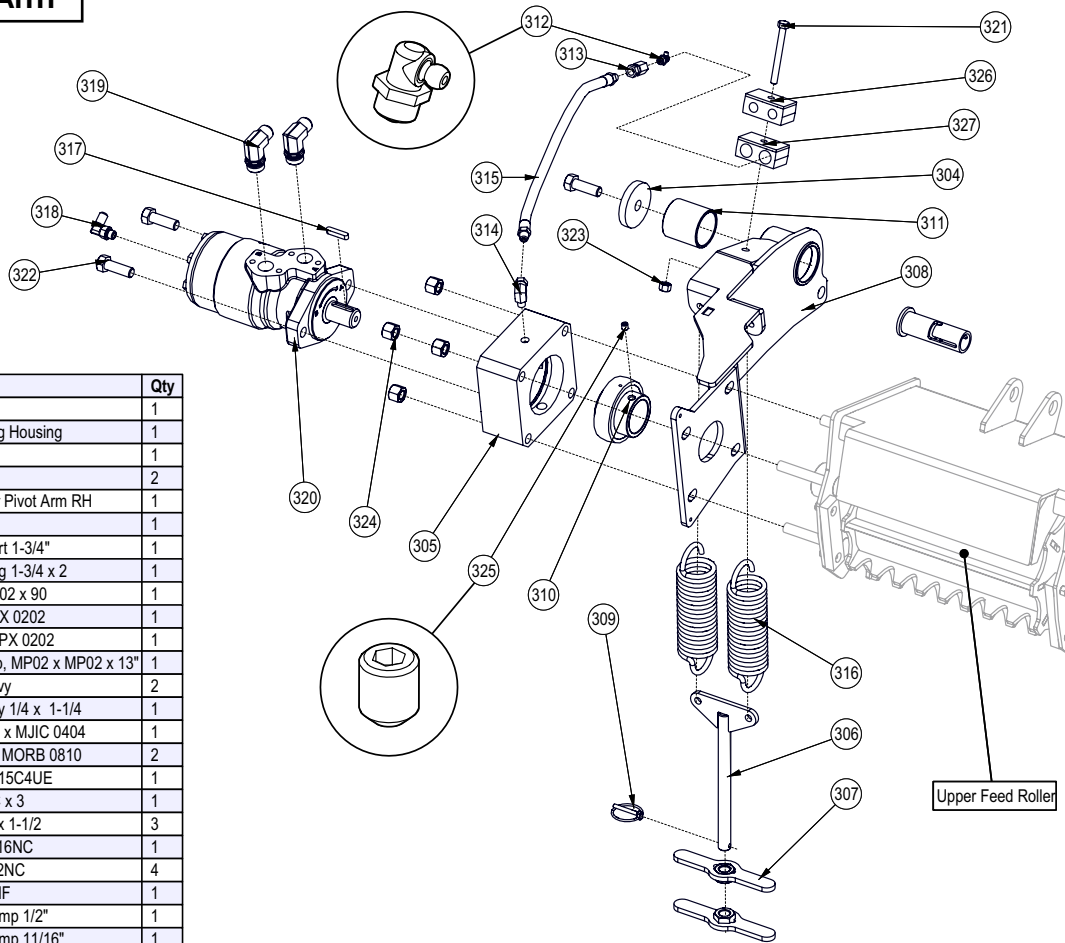
Hopper Front/ Bottom View



BOM ID	Part No.	Description	Qty
408	1061W125	Lower Roller Cover Weldment	1
409	Z18207	Spring Latch Pin 1/2 x 1" Stroke	1
410	Z33301	Torsion Spring 3/8wire x 2 O.D. x 5" RH	1
411	Z33302	Torsion Spring 3/8wire x 2 O.D. x 5" LH	1
412	Z71220	Hex Bolt, 5/16NC x 2	1
413	Z71515	Hex Bolt, 1/2NC x 1-1/2	2
414	Z72251	Hex Lock Nut, 1/2NC	2
415	Z72752	Machine Nut, #10-32NF	4
416	Z72957	Riv-Nut 5/16NC x 312	1
417	Z75203	FHCS, #10-32NF x 3/4	4
418	Z79462	Double Hose Clamp 1/2"	1

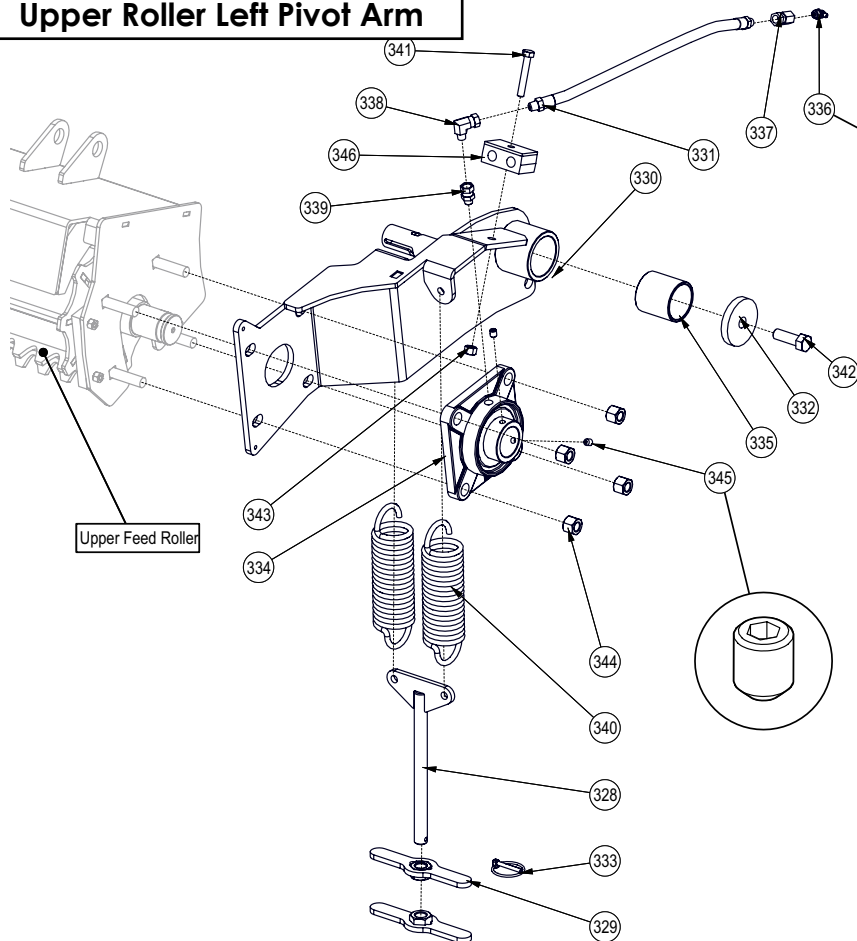
### Upper Roller Right Pivot Arm

**Seal Kit for  
#Z54201 Geroller  
Motor, 315C4UE  
SK MLHR-U/D,E**



BOM ID	Part No.	Description	Qty
304	1015L618	Capture Washer	1
305	1022M218	UC Motor Bearing Housing	1
306	1022W206	Spring Yoke	1
307	1022W220	Nut Handle	2
308	1061W103H	Weldment, Roller Pivot Arm RH	1
309	Z12110	Latch Pin, 3/16	1
310	Z21903	Ball Bearing Insert 1-3/4"	1
311	Z27101	Fiberglide Bearing 1-3/4 x 2	1
312	Z29207	Grease Zerk, MP02 x 90	1
313	Z29302	Straight, FP x FFX 0202	1
314	Z29307	Elbow 90 MP x FFX 0202	1
315	Z29312	1/4" Grease Whip, MP02 x MP02 x 13"	1
316	Z31501	Spring 2 x 7 Heavy	2
317	Z46594	Blind Chipper Key 1/4 x 1-1/4	1
318	Z51657	Elbow 90, MORB x MJIC 0404	1
319	Z51658	Elbow 90 MJIC x MORB 0810	2
320	Z54201	Geroller Motor, 315C4UE	1
321	Z71230	Hex Bolt, 5/16NC x 3	1
322	Z71515	Hex Bolt, 1/2NC x 1-1/2	3
323	Z72221	Hex Lock Nut, 5/16NC	1
324	Z72251	Hex Lock Nut, 1/2NC	4
325	Z74122	Set Screw, 5/16NF	1
326	Z79462	Double Hose Clamp 1/2"	1
327	Z79463	Double Hose Clamp 11/16"	1

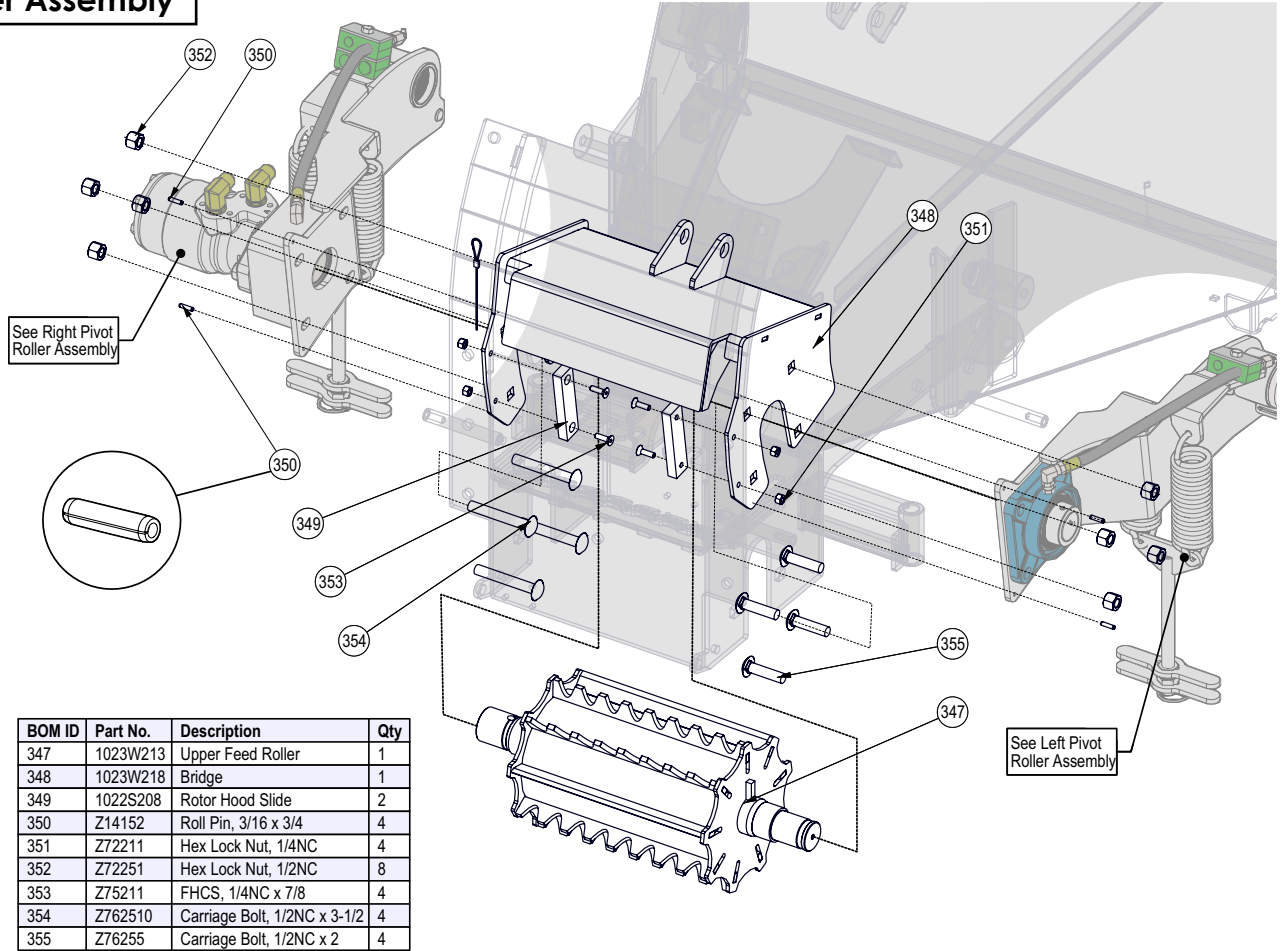
### Upper Roller Left Pivot Arm



BOM ID	Part No.	Description	Qty
328	1022W206	Spring Yoke	1
329	1022W220	Nut Handle	2
330	1061W103	Weldment, Roller Pivot Arm LH	1
331	Z29312	1/4" Grease Whip, MP02 x MP02 x 13"	1
332	1015L618	Capture Washer	1
333	Z12110	Latch Pin, 3/16	1
334	Z25204	4-Bolt Bearing 1-1/2" Bore	1
335	Z27101	Fiberglide Bearing 1-3/4 x 2	1
336	Z29207	Grease Zerk, MP02 x 90	1
337	Z29302	Straight, FP x FFX 0202	1
338	Z29307	Elbow 90 MP x FFX 0202	1
339	Z29311	Straight, MP x FFX 0202	1
340	Z31501	Spring 2 x 7 Heavy	2
341	Z71220	Hex Bolt, 5/16NC x 2	1
342	Z71515	Hex Bolt, 1/2NC x 1-1/2	1
343	Z72221	Hex Lock Nut, 5/16NC	1
344	Z72251	Hex Lock Nut, 1/2NC	4
345	Z74122	Set Screw, 5/16NF	2
346	Z79462	Double Hose Clamp 1/2"	1

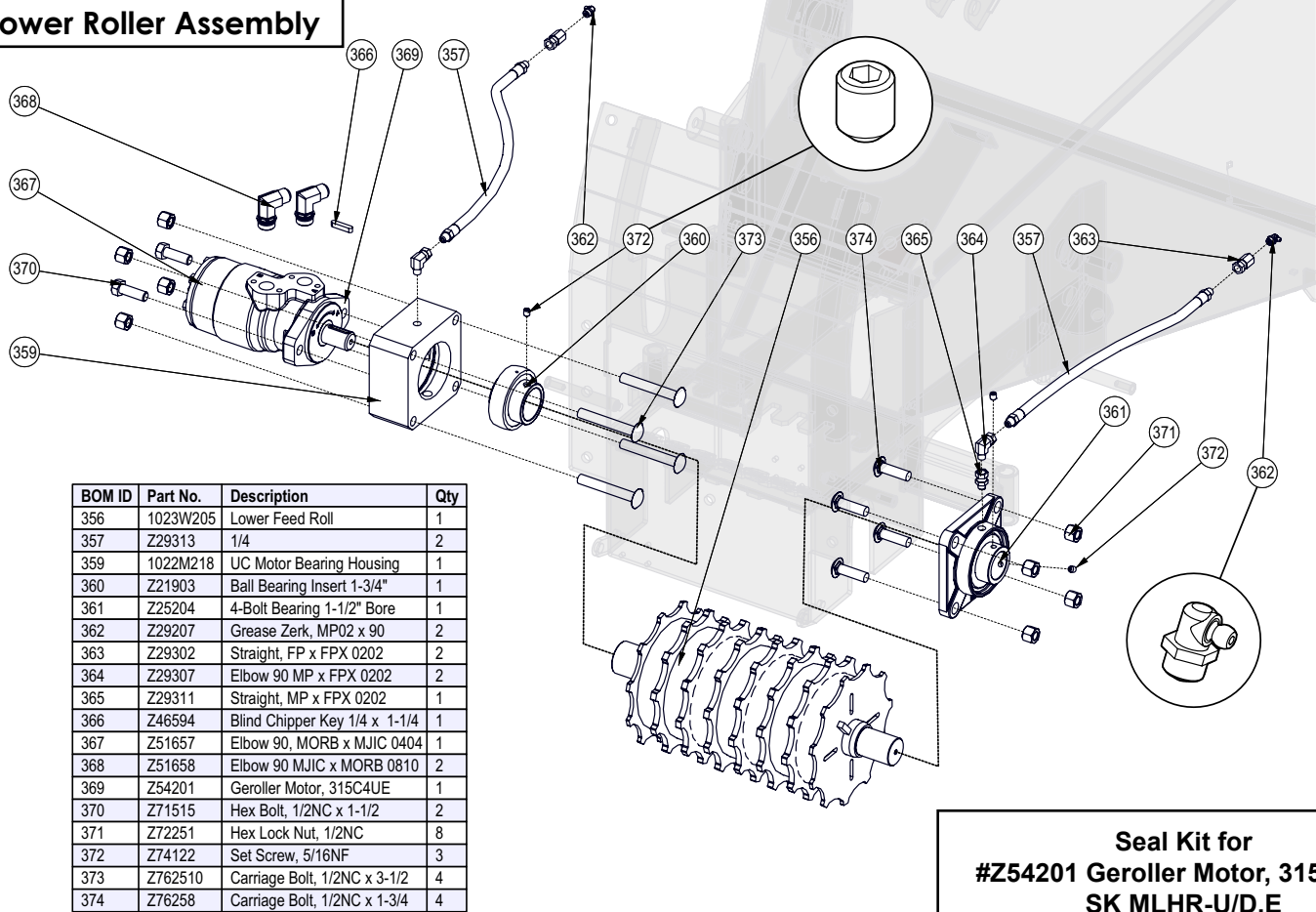


### Upper Roller Assembly



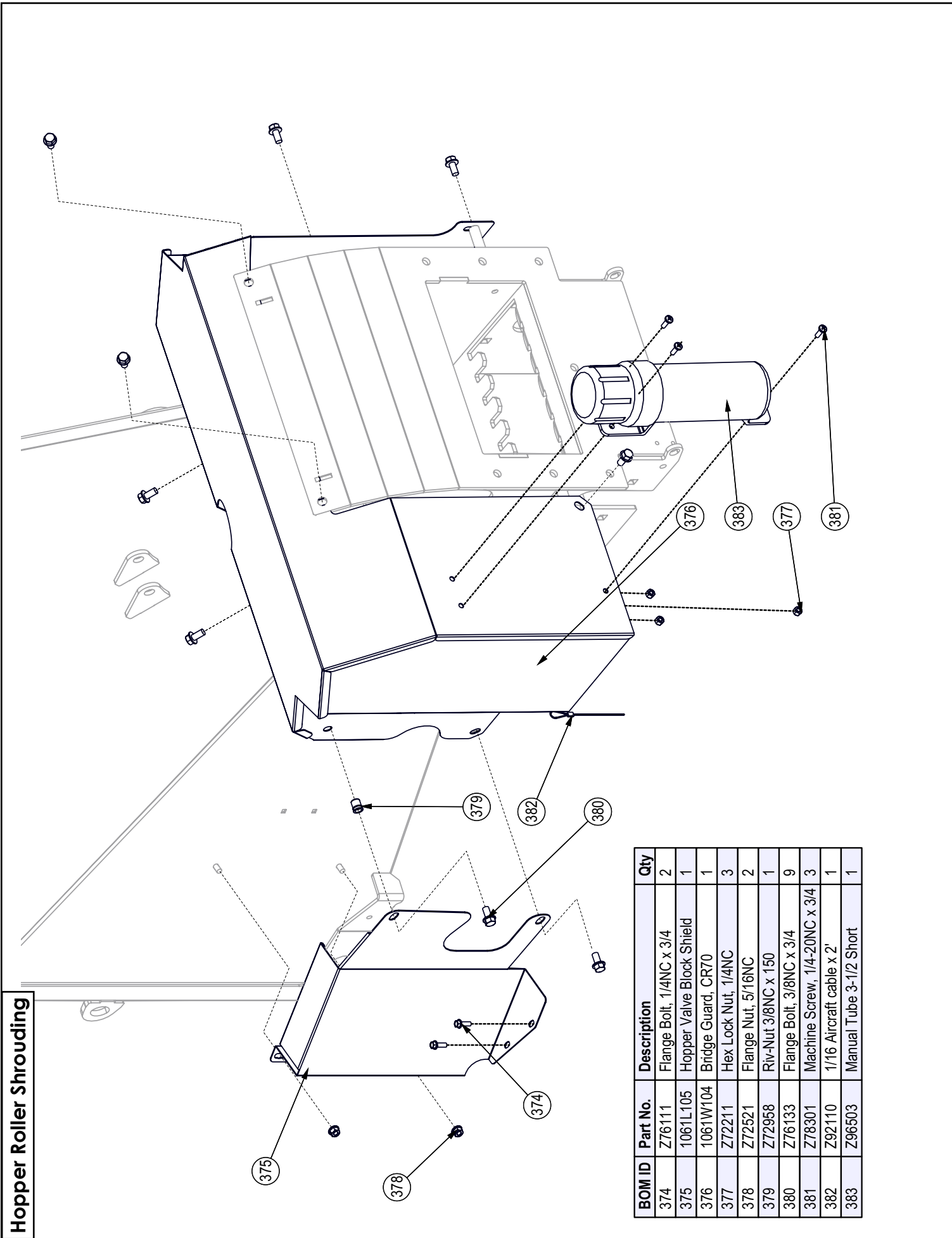
BOM ID	Part No.	Description	Qty
347	1023W213	Upper Feed Roller	1
348	1023W218	Bridge	1
349	1022S208	Rotor Hood Slide	2
350	Z14152	Roll Pin, 3/16 x 3/4	4
351	Z72211	Hex Lock Nut, 1/4NC	4
352	Z72251	Hex Lock Nut, 1/2NC	8
353	Z75211	FHCS, 1/4NC x 7/8	4
354	Z762510	Carriage Bolt, 1/2NC x 3-1/2	4
355	Z76255	Carriage Bolt, 1/2NC x 2	4

### Lower Roller Assembly



BOM ID	Part No.	Description	Qty
356	1023W205	Lower Feed Roll	1
357	Z29313	1/4	2
359	1022M218	UC Motor Bearing Housing	1
360	Z21903	Ball Bearing Insert 1-3/4"	1
361	Z25204	4-Bolt Bearing 1-1/2" Bore	1
362	Z29207	Grease Zerk, MP02 x 90	2
363	Z29302	Straight, FP x FPX 0202	2
364	Z29307	Elbow 90 MP x FPX 0202	2
365	Z29311	Straight, MP x FPX 0202	1
366	Z46594	Blind Chipper Key 1/4 x 1-1/4	1
367	Z51657	Elbow 90, MORB x MJIC 0404	1
368	Z51658	Elbow 90 MJIC x MORB 0810	2
369	Z54201	Geroller Motor, 315C4UE	1
370	Z71515	Hex Bolt, 1/2NC x 1-1/2	2
371	Z72251	Hex Lock Nut, 1/2NC	8
372	Z74122	Set Screw, 5/16NF	3
373	Z762510	Carriage Bolt, 1/2NC x 3-1/2	4
374	Z76258	Carriage Bolt, 1/2NC x 1-3/4	4

**Seal Kit for  
#Z54201 Geroller Motor, 315C4UE  
SK MLHR-U/D,E**

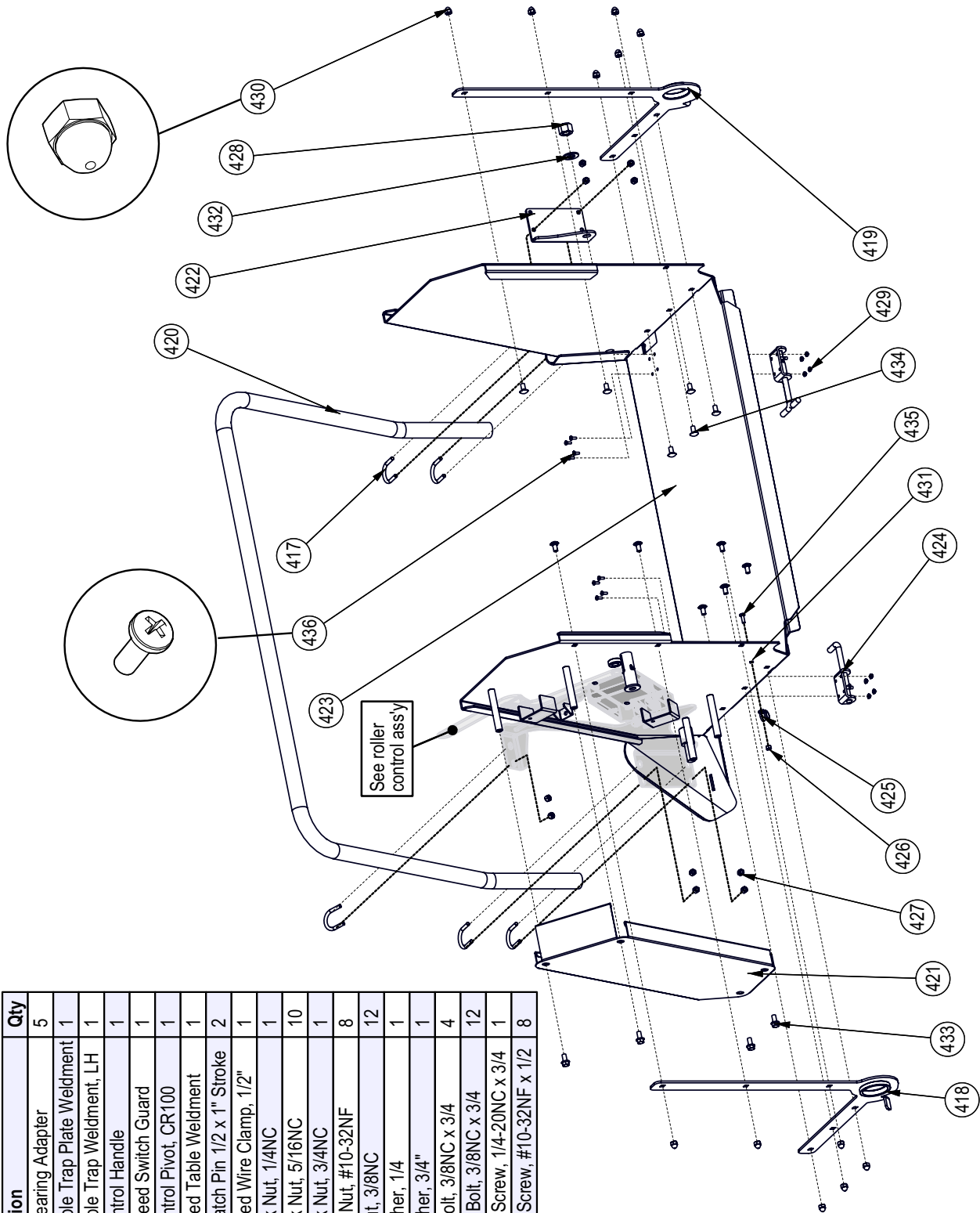


**Hopper Roller Shrouding**

BOM ID	Part No.	Description	Qty
374	Z76111	Flange Bolt, 1/4NC x 3/4	2
375	1061L105	Hopper Valve Block Shield	1
376	1061W104	Bridge Guard, CR70	1
377	Z72211	Hex Lock Nut, 1/4NC	3
378	Z72521	Flange Nut, 5/16NC	2
379	Z72958	Riv-Nut 3/8NC x 150	1
380	Z76133	Flange Bolt, 3/8NC x 3/4	9
381	Z78301	Machine Screw, 1/4-20NC x 3/4	3
382	Z92110	1/16 Aircraft cable x 2'	1
383	Z96503	Manual Tube 3-1/2 Short	1

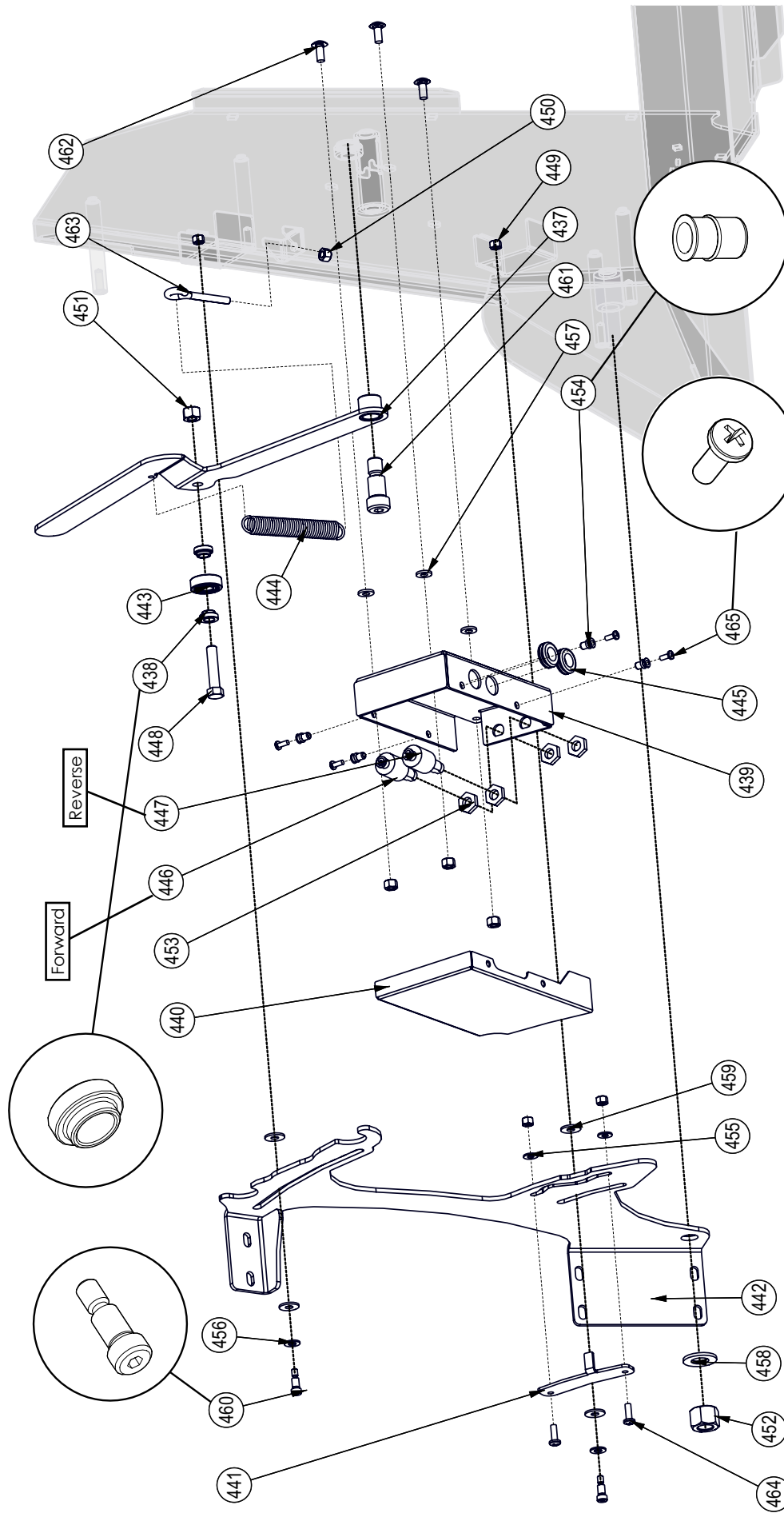
**Feed Table**

BOM ID	Part No.	Description	Qty
417	1015S538	U-bolt, Bearing Adapter	5
418	1022W230	Feed Table Trap Plate Weldment	1
419	1022W230H	Feed Table Trap Weldment, LH	1
420	1023S203	Feed Control Handle	1
421	1060L302	CR100 Feed Switch Guard	1
422	1060L306	Feed Control Pivot, CR100	1
423	1061W101	CR70 Feed Table Weldment	1
424	Z18207	Spring Latch Pin 1/2 x 1" Stroke	2
425	Z62819	Rubberized Wire Clamp, 1/2"	1
426	Z72211	Hex Lock Nut, 1/4NC	1
427	Z72221	Hex Lock Nut, 5/16NC	10
428	Z72271	Hex Lock Nut, 3/4NC	1
429	Z72752	Machine Nut, #10-32NF	8
430	Z72911	Acorn Nut, 3/8NC	12
431	Z73111	Flat Washer, 1/4	1
432	Z73171	Flat Washer, 3/4"	1
433	Z76133	Flange Bolt, 3/8NC x 3/4	4
434	Z76233	Carriage Bolt, 3/8NC x 3/4	12
435	Z78301	Machine Screw, 1/4-20NC x 3/4	1
436	Z78303	Machine Screw, #10-32NF x 1/2	8





**Feed Roller Control Detail**

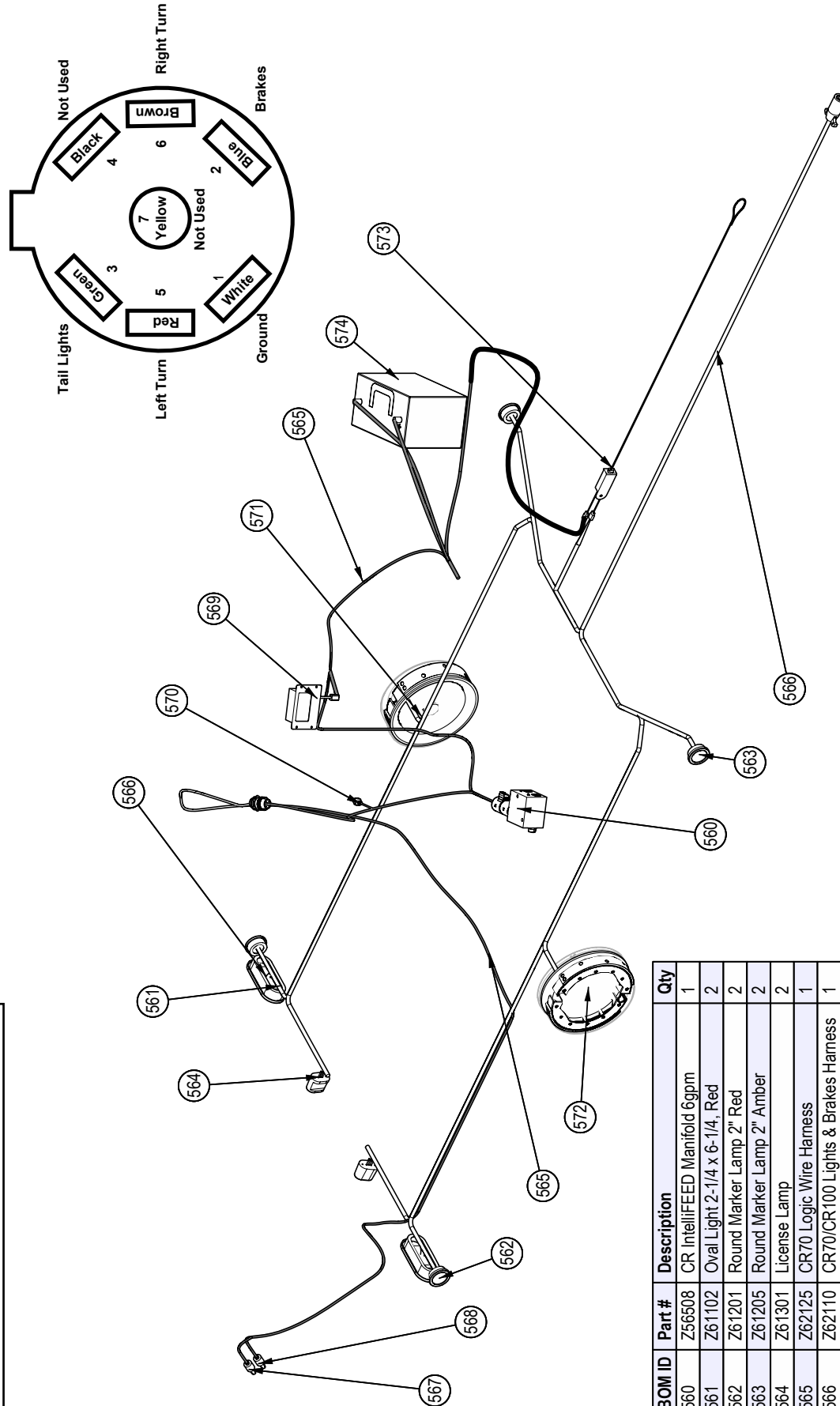


BOM ID	Part No.	Description	Qty
437	1060W302	Detent Reset Weldment, CR100	1
438	1015M537	Bushing, Bearing	2
439	1060L301	Switch Mount Plate, CR100	1
440	1060L303	Sensor Box Lid, CR100	1
441	1060L304	Feed Pickup Trigger, CR100	1
442	1060L305	CR100 Control Base Pivot Link	1
443	Z21203	Ball Bearing 6202 2RS	1
444	Z31401	Spring 3/4 x 4" Heavy	1
445	Z62823	Rubber Grommet 3/4 x 1/8	2
446	Z64403	Prox Switch NO Sourcing 5amp	1

BOM ID	Part No.	Description	Qty
447	Z64405	Prox Switch NO Sinking 5amp	1
448	Z71420	Hex Bolt, 7/16NC x 2	1
449	Z72211	Hex Lock Nut, 1/4NC	4
450	Z72221	Hex Lock Nut, 5/16NC	4
451	Z72241	Hex Lock Nut, 7/16NC	1
452	Z72271	Hex Lock Nut, 3/4NC	1
453	Z72357	Brass Jam Nut, 9/16-18NF	4
454	Z72954	Riv-Nut #10-32NF - 130	4
455	Z73111	Flat Washer, 1/4	2
456	Z73122	Flat Washer, 5/16	2

BOM ID	Part No.	Description	Qty
457	Z73123	Rubber Flat Washer, 5/16 x 0.093"	3
458	Z73171	Flat Washer, 3/4"	1
459	Z73222	PTFE Flat Washer, 5/16 x 0.080"	4
460	Z75522	Shoulder Bolt, 5/16 x 1/2"	2
461	Z75574	Shoulder Bolt, 3/4 x 1	1
462	Z76221	Carriage Bolt, 5/16NC x 3/4	3
463	Z76522	Eye Bolt 5/16NC x 2	1
464	Z78301	Machine Screw, 1/4-20NC x 3/4	2
465	Z78303	Machine Screw, #10-32NF x 1/2	4

**Intellifeed Wiring Harness & Lights and Brakes Wiring Harness**

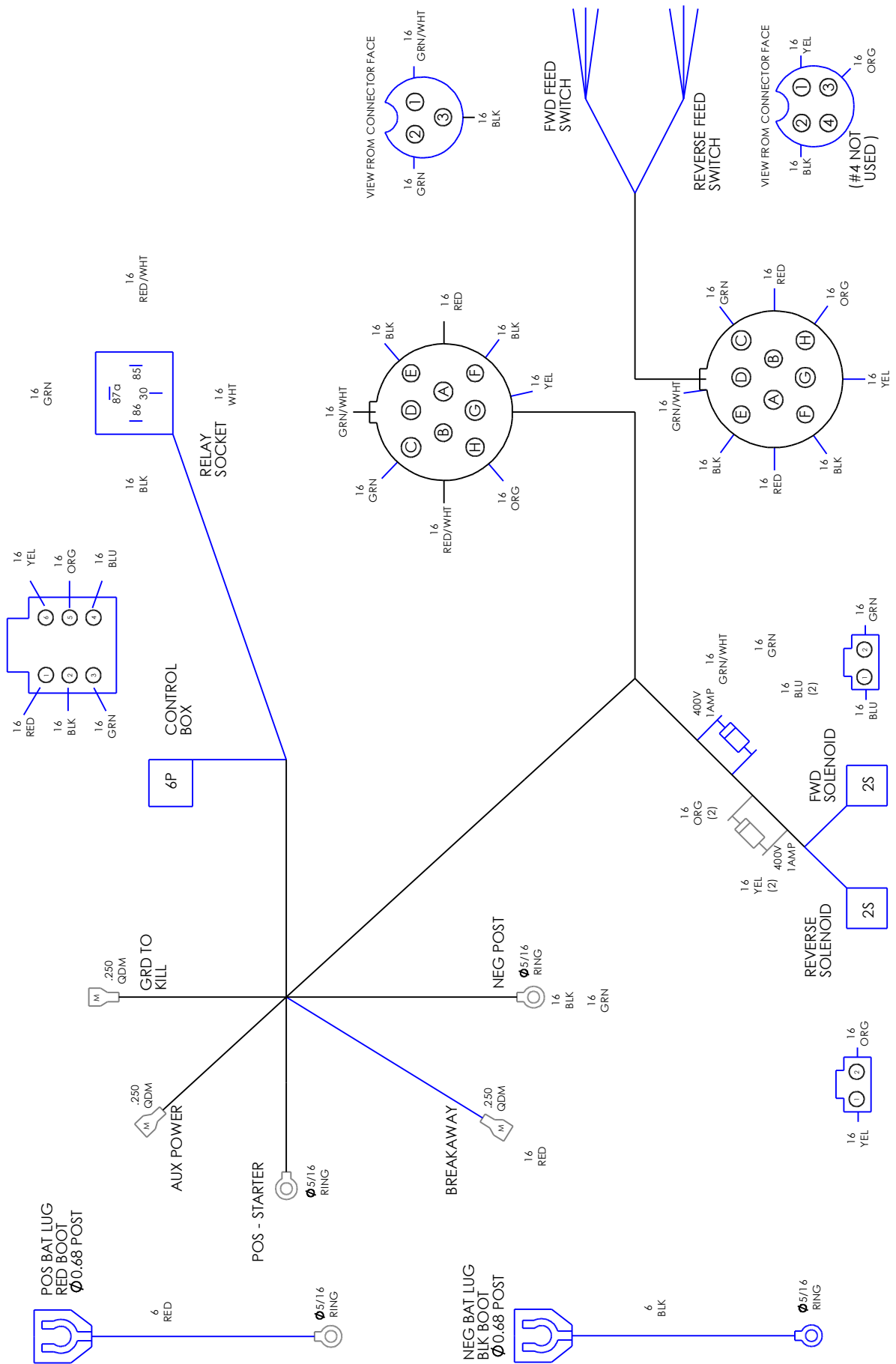


BOM ID	Part #	Description	Qty
560	Z56508	CR IntelliFEED Manifold 6gpm	1
561	Z61102	Oval Light 2-1/4 x 6-1/4, Red	2
562	Z61201	Round Marker Lamp 2" Red	2
563	Z61205	Round Marker Lamp 2" Amber	2
564	Z61301	License Lamp	2
565	Z62125	CR70 Logic Wire Harness	1
566	Z62110	CR70/CR100 Lights & Brakes Harness	1
567	Z64403	Prox Switch NO Sourcing 5amp	1
568	Z64405	Prox Switch NO Sinking 5amp	1
569	Z66204	Control, IntelliFEED	1
570	Z66210	IntelliFEED Pickup Sensor with 68" Lead	1
571	Z91708	Electric Brake, 2 1/4 x10 LH	1
572	Z91719	Electric Brake, 2 1/4 x10 RH	1
573	Z91713	Breakaway Safety Switch	1
574	Z93205	Car Battery	1

Part #	Description	replacement
Z61201	Round Marker Lamp 2" Red	replace unit
Z61205	Round Marker Lamp 2" Amber	replace unit
Z61102	Oval Light 2 1/4 x 6 1/4, Red	replace unit
Z61301	License Lamp	replacement bulb #67

**Intellifeed Wiring Diagram #Z62125**

NOTE: HARNESS IS BRAIDED

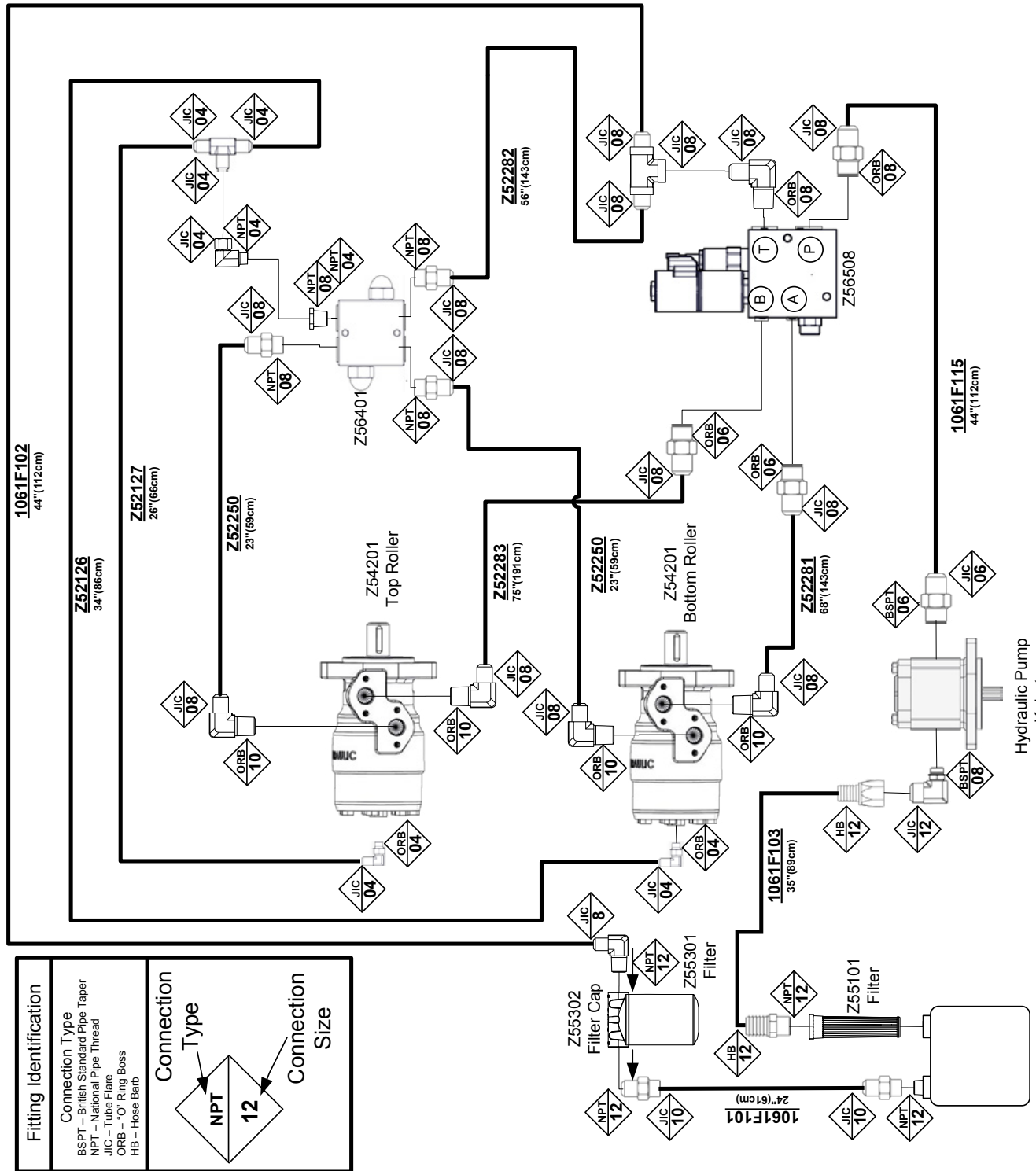


**Hose Parts List**

The Chart below is a complete list of hydraulic hoses for the CR70 Series. For information on your model and its hose connections please review the hydraulic schematics on the following pages.

Part Number	Description	Qty
Z52126	1/4" Hose, FJIC04 x 90FJIC04 x 34"	1
Z52127	1/4" Hose, FJIC04 x 90FJIC04 x 26"	1
Z52250	3/8" Hose, FJIC08 x 90FJIC08 x 23"	2
Z52281	3/8" Hose, FJIC08 x 90FJIC08 x 68"	1
Z52282	3/8" Hose, FJIC08 x 90FJIC08 x 56"	1
Z52283	3/8" Hose, FJIC08 x 90FJIC08 x 75"	1
1061F102	1/2" Hose, FJIC08 x 90FJIC08 x 44"	1
1061F115	1/2" Hose, FJIC06 x 90FJIC08 x 44"	1
1061F103	Suction Hose, 3/4" x 35"	1
1061F110	Fuel Line, 5/16" x 62"	1
1061F109	Fuel Line, 5/16" x 66"	1

**Hydraulic Schematic**



Fitting Identification	
Connection Type	
BSPT – British Standard Pipe Taper	
NPT – National Pipe Thread	
JIC – Tube Flare	
ORB – O Ring Boss	
HB – Hose Barb	
Connection Type	
NPT	12
JIC	
Connection Size	

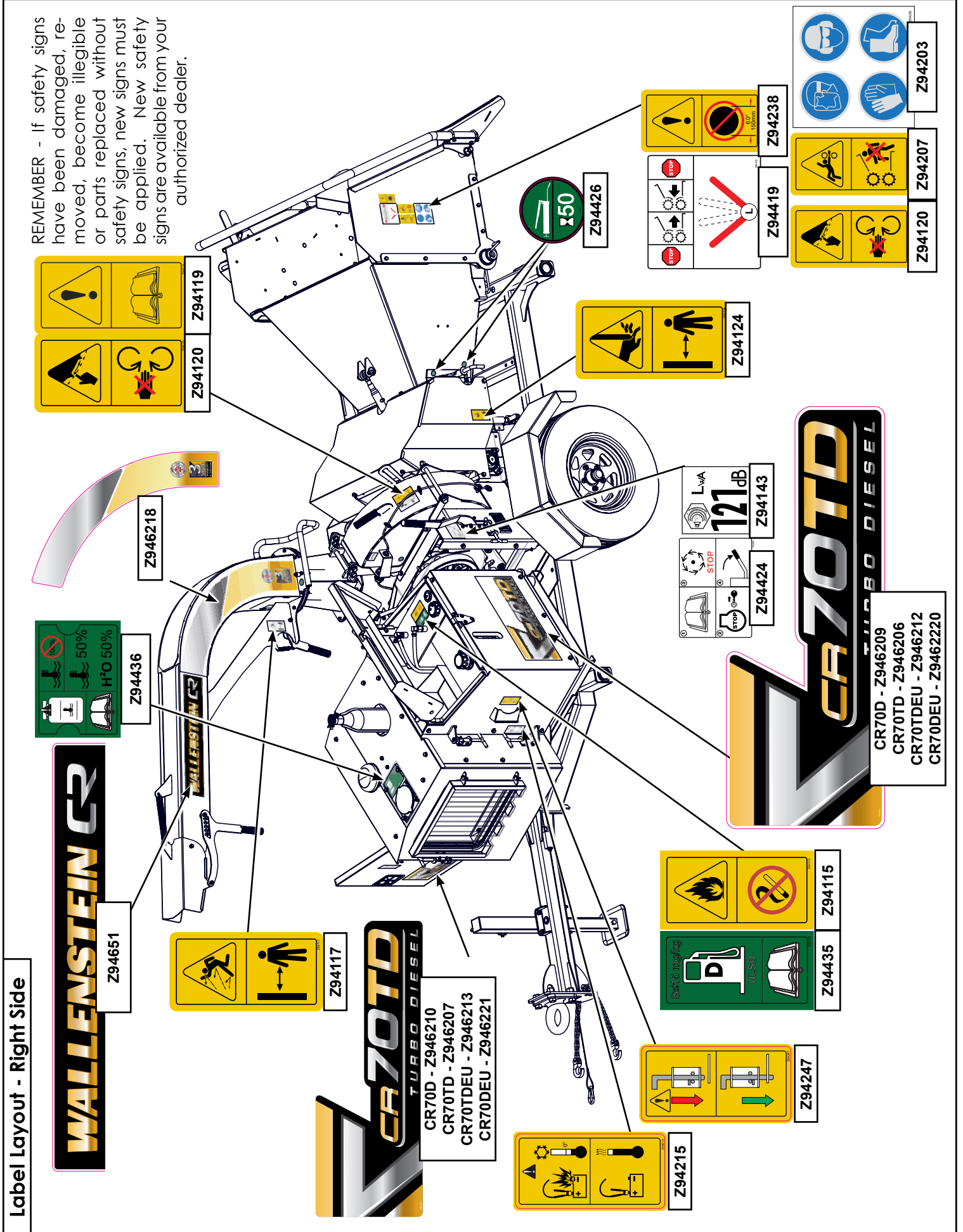
**CR70: Label Part Number & Designation List**

Prt No.	Description	CR70	CR70EU	CR70D	CR70DEU	CR70TD	CR70TDEU
Z94646	CR70 Model # Decal (Toolbox)	1					
Z94647	CR70 Model # Decal (Engine)	1					
Z946215	CR70 Feed Table Decal	1					
Z946111	CR70eu Model # Decal (Toolbox)		1				
Z946112	CR70eu Model # Decal (Engine)		1				
Z946201	CR70eu Feed Table Decal		1				
Z946210	CR70d Model # Decal (Toolbox)			1			
Z946209	CR70d Model # Decal (Engine)			1			
Z946211	CR70d Feed Table Decal			1			
Z946221	CR70deu Model # Decal (Toolbox)				1		
Z946220	CR70deu Model # Decal (Engine)				1		
Z946222	CR70deu Feed Table Decal				1		
Z946207	CR70td Model # Decal (Engine)					1	
Z946206	CR70td Model # Decal (Toolbox)					1	
Z946208	CR70td Feed Table Decal					1	
Z946212	CR70tdeu Model # Decal (Toolbox)						1
Z946213	CR70tdeu Model # Decal (Engine)						1
Z946214	CR70tdeu Feed Table Decal						1
Z94115	Fire Hazard - No Smoking	2	2	2	2	2	2
Z94116	Driveline - Arm Entanglement Hazard - Keep Hands Away	1	1	1	1	1	1
Z94117	Flying Object Hazard - Keep Back	4	4	4	4	4	4
Z94119	Hazard - Read Manual	2	2	2	2	2	2
Z94120	Rotating Cutter Hazard - Keep Hands Away	6	6	6	6	6	6
Z94124	Decal-Warning Hands	2	2	2	2	2	2
Z94127	Ce Warning Rotating Part	2	2	2	2	2	2
Z94127	Driveline - Hand Entanglement Hazard - Keep Hands Away	1	1	1	1	1	1
Z94143	Noise - 121db Noise	1	1	1	1	1	1
Z94144	Rh Rotation Decal	1	1	1	1	1	1
Z94145	Lh Rotation Decal	1	1	1	1	1	1
Z94167	Hydraulic Rupture Hazard - Keep Back	4	4	4	4	4	4
Z94207	Entanglement Hazard - Do Not Climb In Hopper	4	4	4	4	4	4
Z94209	Counter Clockwise Rotation - Round	1	1	1	1	1	1
Z94215	Frozen Battery Hazard	1	1	1	1	1	1
Z94228	Remove Ignition Key Caution	1	1	1	1	1	1
Z94235	150mm (6.0) Max Material Caution Decal	2	2	2	2	2	2
Z94247	CR Latch Label	1	1	1	1	1	1
Z94414	Roller Feed Chipper - Feed Control Rh	1	1	1	1	1	1
Z94416	CR100 Start Stop			1	1	1	1
Z94419	Roller Feed Chipper - Feed Control Lh	1	1	1	1	1	1
Z94422	Feed Control Lock	1	1	1	1	1	1
Z94423	CR70 Intell.Max.Rpm Instructions	1	1	1	1	1	1
Z94424	CR70 Rotor Lock	1	1	1	1	1	1
Z94426	Grease 50hrs Label	7	7	7	7	7	7
Z94435	Uisd Label			1	1	1	1
Z94436	Antifreeze Label			1	1	1	1
Z94621	Protection Equipment	2	2	2	2	2	2
Z94621	Intellifeed	1	1	1	1	1	1
Z946217	Right Side Discharge Chute	1	1	1	1	1	1
Z946218	Left Side Discharge Chute	1	1	1	1	1	1
Z94651	CR70 L&R Chute Mid.Wallenstein	2	2	2	2	2	2





REMEMBER - If safety signs have been damaged, removed, become illegible or parts replaced without safety signs, new signs must be applied. New safety signs are available from your authorized dealer.



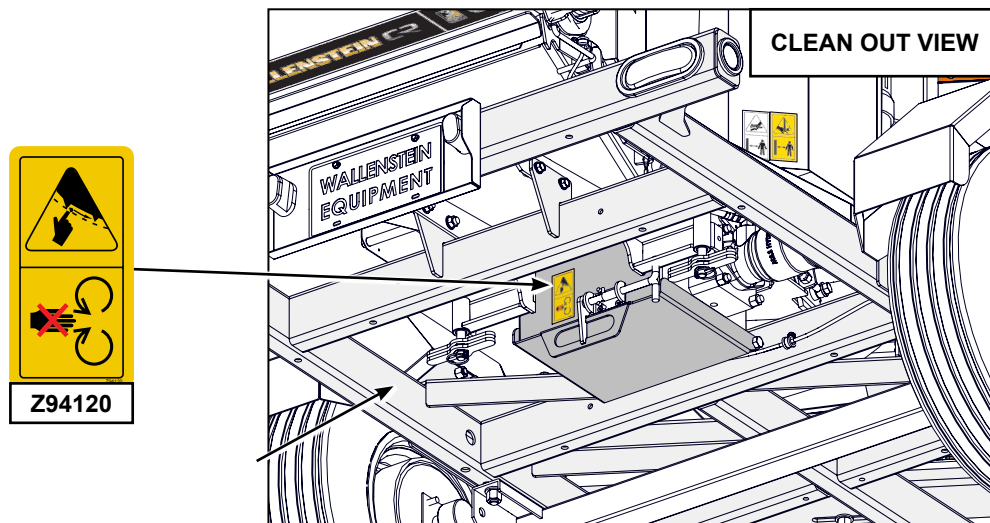
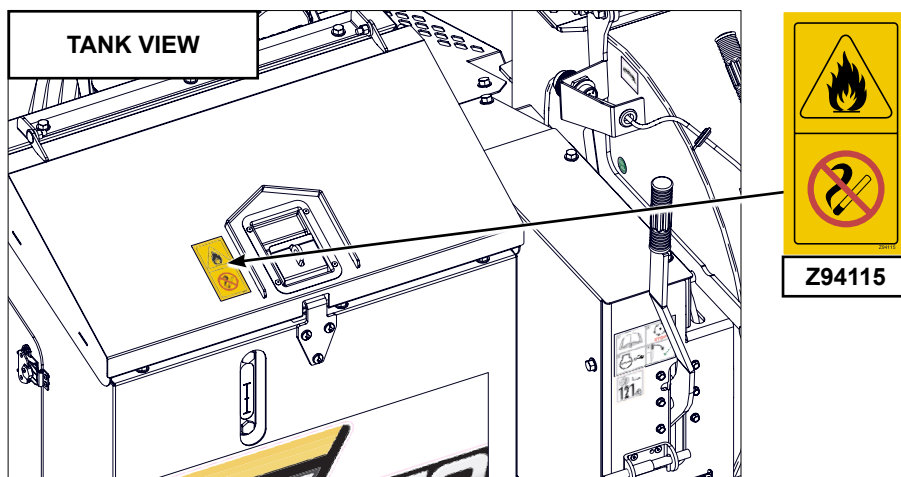
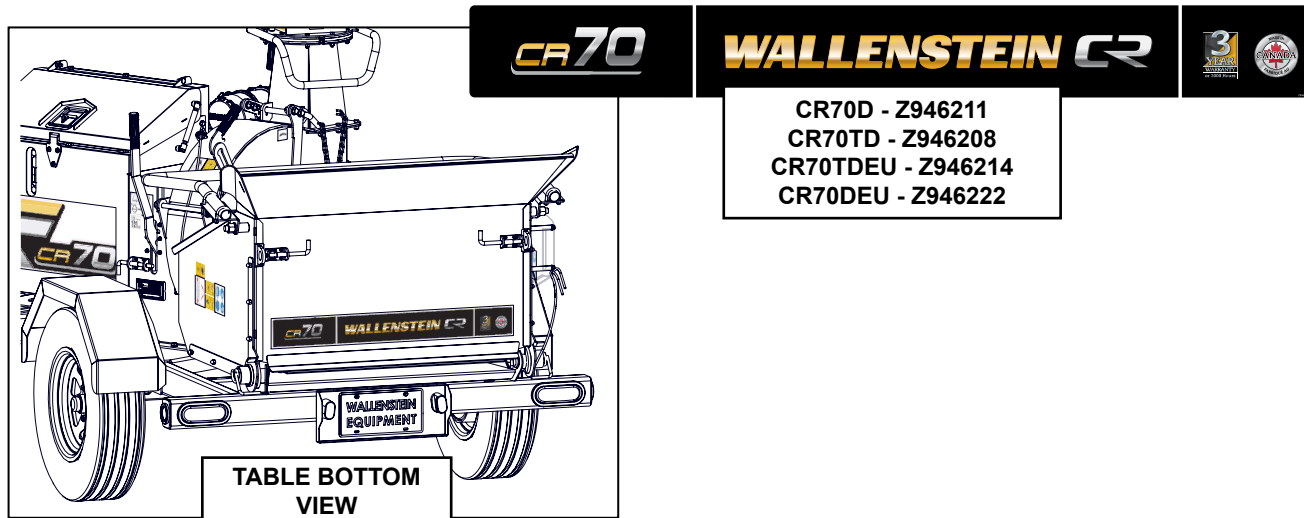
Label Layout - Right Side

**WALLENSTEIN CR**  
Z94651

**CR70TD**  
TURBO DIESEL  
CR70D - Z946210  
CR70TD - Z946207  
CR70TDEU - Z946213  
CR70DEU - Z946221

**CR70TD**  
TURBO DIESEL  
CR70D - Z946209  
CR70TD - Z946206  
CR70TDEU - Z946212  
CR70DEU - Z9462220

### Label Layout



## Accessories

#1012L269



### #1012L269 LEDGER CLEARANCE SETTING GAUGE

For **CR70 Series**

An easy and accurate way of setting the critical clearances between the ledger blade and the rotor chipper blade.



### #Z97071 CR70 COMMERCIAL TRAILER WOOD CHIPPER OPERATOR'S MANUAL

Available as a download at  
[www.wallensteincr.com](http://www.wallensteincr.com)