

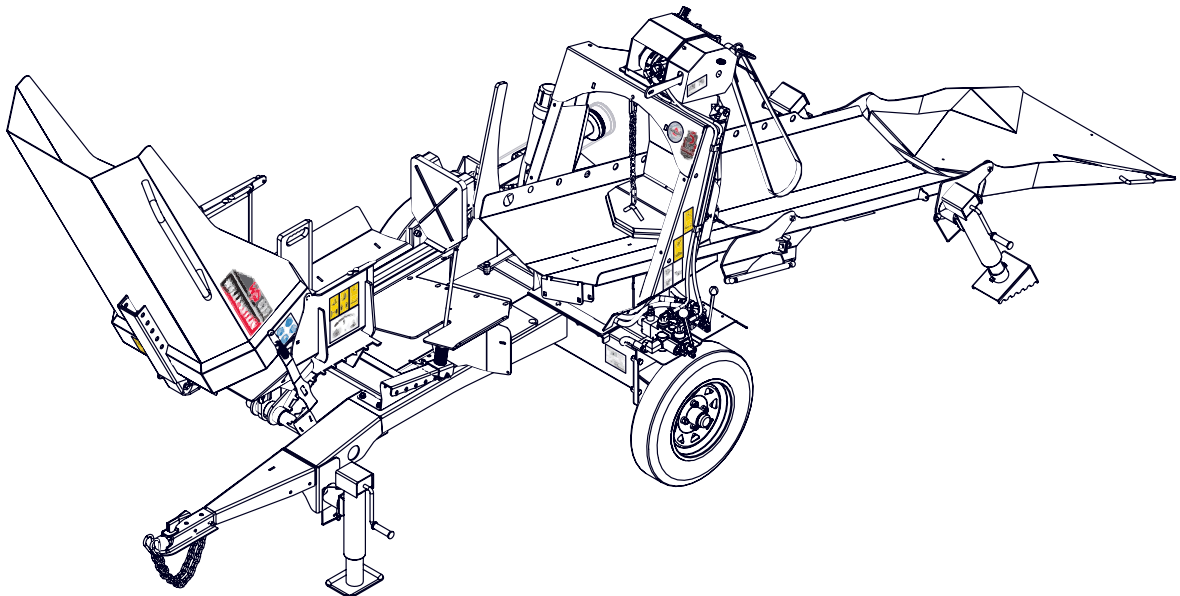


EMB Manufacturing Inc.
4144 Boomer Line · St. Clements, On · N0B 2M0 · Canada
Ph: (519) 699-9283 · Fax: (519) 699-4146
www.wallensteinequipment.com

WP635 Wood Processor

Parts Manual

Starting with S/N's
640036 and on



Refer to the operators
manual for safe
operation and
maintenance

Foreword

EMB Mfg. has prepared this parts manual to assist customers in ordering quality OEM replacement parts.

Proper and regular service and replacing old, worn or broken parts with the correct OEM parts are essential to prolonging the life of your EMB product. Please refer to this manual before ordering any replacement parts.

All information contained in this parts manual is based on the latest product specification available at the time of printing this manual. If your product differs from the specifications contained within this manual contact EMB Mfg. for information.

EMB reserves the right to alter specifications on their products at any time.

Reproduction of this parts manual of any kind is prohibited without prior written permission from EMB Mfg.

For parts and information please contact your dealer. If your dealer is no longer available please go to our website: <http://www.wallensteinequipment.com> and click on "FIND A DEALER NEAR YOU" for information on a local dealer.

Table of Contents Page

Bolt Torque.....	4
Hydraulic Fitting Torque	5
Wheel Lug Torque	5
Splitter Chute Ass'y.....	6
Lead In Chute Ass'y.....	7
Log Hold Down Ass'y.....	8
Splitter Cradle Ass'y	9
Log Chute Ass'y	10
Running Gear.....	11
Engine & Pump Ass'y.....	12
Valve Parts	13
Hydraulic Splitter Ass'y.....	14
Hydraulic Winch	15
Winch Drum Detail.....	16
Winch Fairlead Detail	16
Hydraulic Cylinder.....	17
Hub Assembly Detail.....	17
Hydraulic Schematic.....	18
Hydraulic Hose List	18
Labels.....	19
Accessories.....	22

Maintenance should be performed by
trained personnel only.



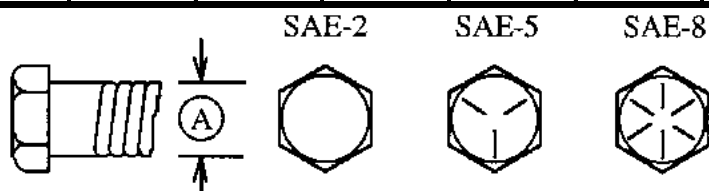
Refer to the operators
manual for safe
operation and
maintenance

Bolt Torque

CHECKING BOLT TORQUE

The tables shown below give correct torque values for various bolts and capscrews. Tighten all bolts to the torques specified in chart unless otherwise noted. Check tightness of bolts periodically, using bolt torque chart as a guide. Replace hardware with the same strength bolt.

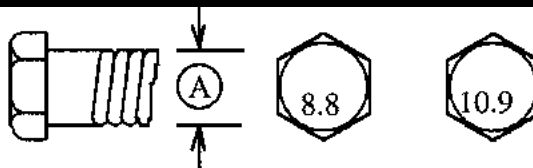
ENGLISH TORQUE SPECIFICATIONS						
Bolt Diameter "A"	Bolt Torque*					
	SAE 2 (N.m) (lb-ft)		SAE 5 (N.m) (lb-ft)		SAE 8 (N.m) (lb-ft)	
1/4"	8	6	12	9	17	12
5/16"	13	10	25	19	36	27
3/8"	27	20	45	33	63	45
7/16"	41	30	72	53	100	75
1/2"	61	45	110	80	155	115
9/16"	95	60	155	115	220	165
5/8"	128	95	215	160	305	220
3/4"	225	165	390	290	540	400
7/8"	230	170	570	420	880	650
1"	345	225	850	630	1320	970



Torque figures indicated above are valid for non-greased or non-oiled threads and heads unless otherwise specified. Therefore, do not grease or oil bolts or capscrews unless otherwise specified in this manual. When using locking elements, increase torque values by 5%.

* Torque value for bolts and capscrews are identified by their head markings.

METRIC TORQUE SPECIFICATIONS				
Bolt Diameter "A"	Bolt Torque*			
	8.8 (N.m) (lb-ft)		10.9 (N.m) (lb-ft)	
M3	0.5	0.4	1.8	1.3
M4	3	2.2	4.5	3.3
M5	6	4	9	7
M6	10	7	15	11
M8	25	18	35	26
M10	50	37	70	52
M12	90	66	125	92
M14	140	103	200	148
M16	225	166	310	229
M20	435	321	610	450
M24	750	553	1050	774
M30	1495	1103	2100	1550
M36	2600	1917	3675	2710



Hydraulic Fitting Torque

Tightening Flare Type Tube Fittings *

1. Check flare and flare seat for defects that might cause leakage.
2. Align tube with fitting before tightening.
3. Lubricate connection and hand tighten swivel nut until snug.
4. To prevent twisting the tube(s), use two wrenches. Place one wrench on the connector body and with the second tighten the swivel nut to the torque shown.

Tube Size OD (in.)	Nut Size Across Flats (in.)	Torque Value*		Recommended Turns To Tighten (After Finger Tightening)	
		(N.m)	(lb-ft)	(Flats)	(Turn)
3/16	7/16	8	6	1	1/6
1/4	9/16	12	9	1	1/6
5/16	5/8	16	12	1	1/6
3/8	11/16	24	18	1	1/6
1/2	7/8	46	34	1	1/6
5/8	1	62	46	1	1/6
3/4	1-1/4	102	75	3/4	1/8
7/8	1-3/8	122	90	3/4	1/8

The torque values shown are based on lubricated connections as in reassembly.

Wheel Lug Torque

It is extremely important safety procedure to apply and maintain proper wheel mounting torque on your trailer axle. Torque wrenches are the best method to assure the proper amount of torque is being applied to a fastener.

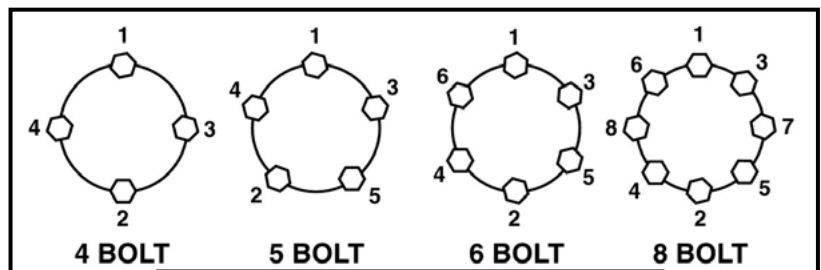
Wheel lugs should be torqued before first road use and after each wheel removal. Check and re torque after the first 16Km (10 miles), 40Km (25 miles), and again at 80Km (50 miles). Check periodically thereafter.

Note: Wheel lugs must be applied and maintained at the proper torque levels to prevent loose wheels, broken studs, and possible dangerous separation of wheels from your axle.

- Start all lugs by hand to prevent cross threading.
- Tighten lugs in sequence, per wheel lug torque sequence chart.
- The tightening of the fasteners should be done in stages. Following the recommended sequence, tighten fasteners per wheel torque requirements chart.

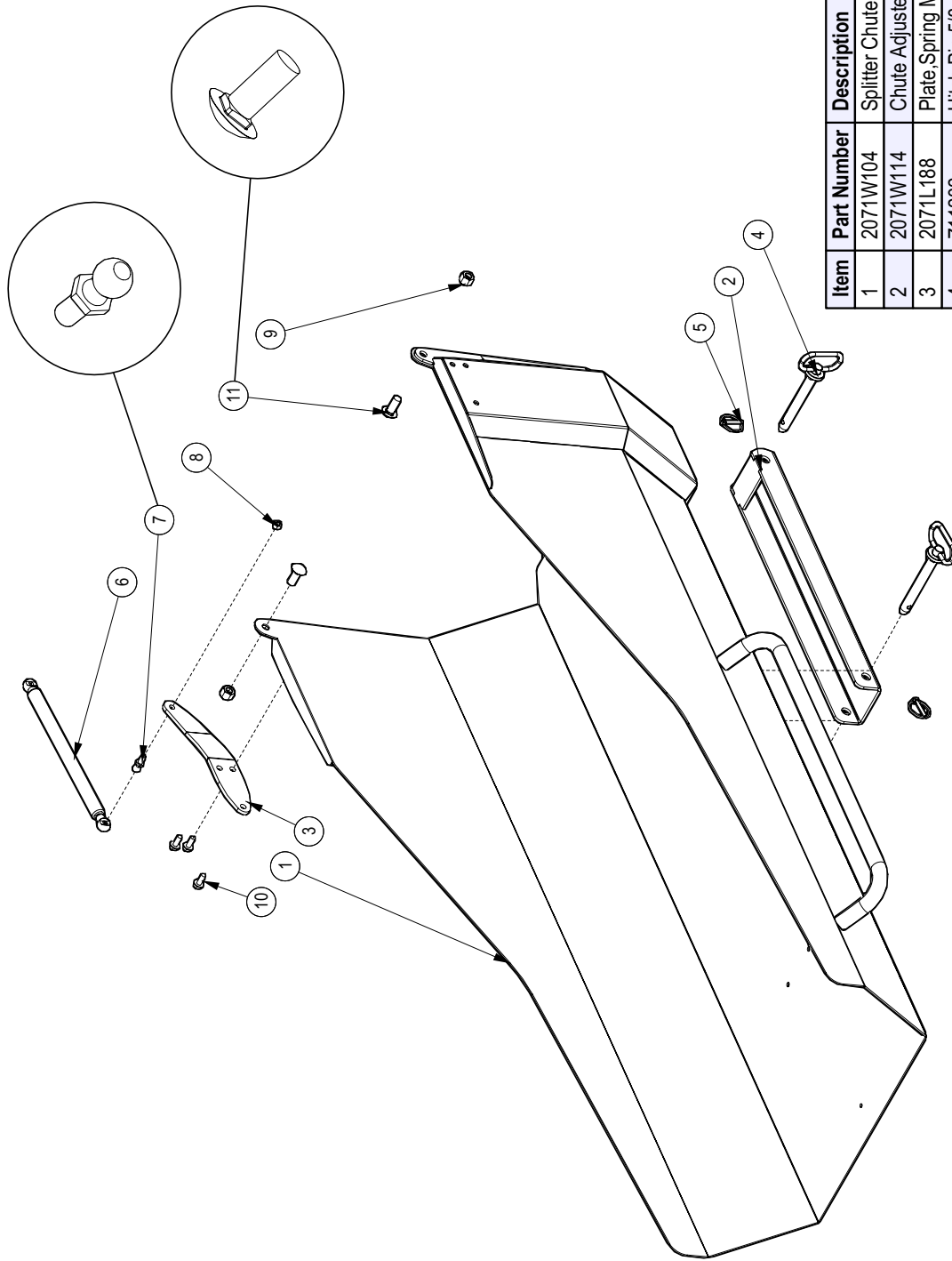
Wheel Torque Requirements

Wheel Size	Torque Unit	1st Stage	2nd Stage	3rd Stage
8"	ft-lbs	12 - 20	30 - 35	45 - 55
	Nm	16 - 26	39 - 45.5	58.5 - 71.5
12"	ft-lbs	20 - 25	35 - 40	50 - 60
	Nm	26 - 32.5	45.5 - 52	65 - 78
13"	ft-lbs	20 - 25	35 - 40	50 - 60
	Nm	26 - 32.5	45.5 - 52	65 - 78
14"	ft-lbs	20 - 25	50 - 60	90 - 120
	Nm	26 - 32.5	65 - 78	117 - 156
15"	ft-lbs	20 - 25	50 - 60	90 - 120
	Nm	26 - 32.5	65 - 78	117 - 156
16"	ft-lbs	20 - 25	50 - 60	90 - 120
	Nm	26 - 32.5	65 - 78	117 - 156



Wheel Lug Torque Sequence

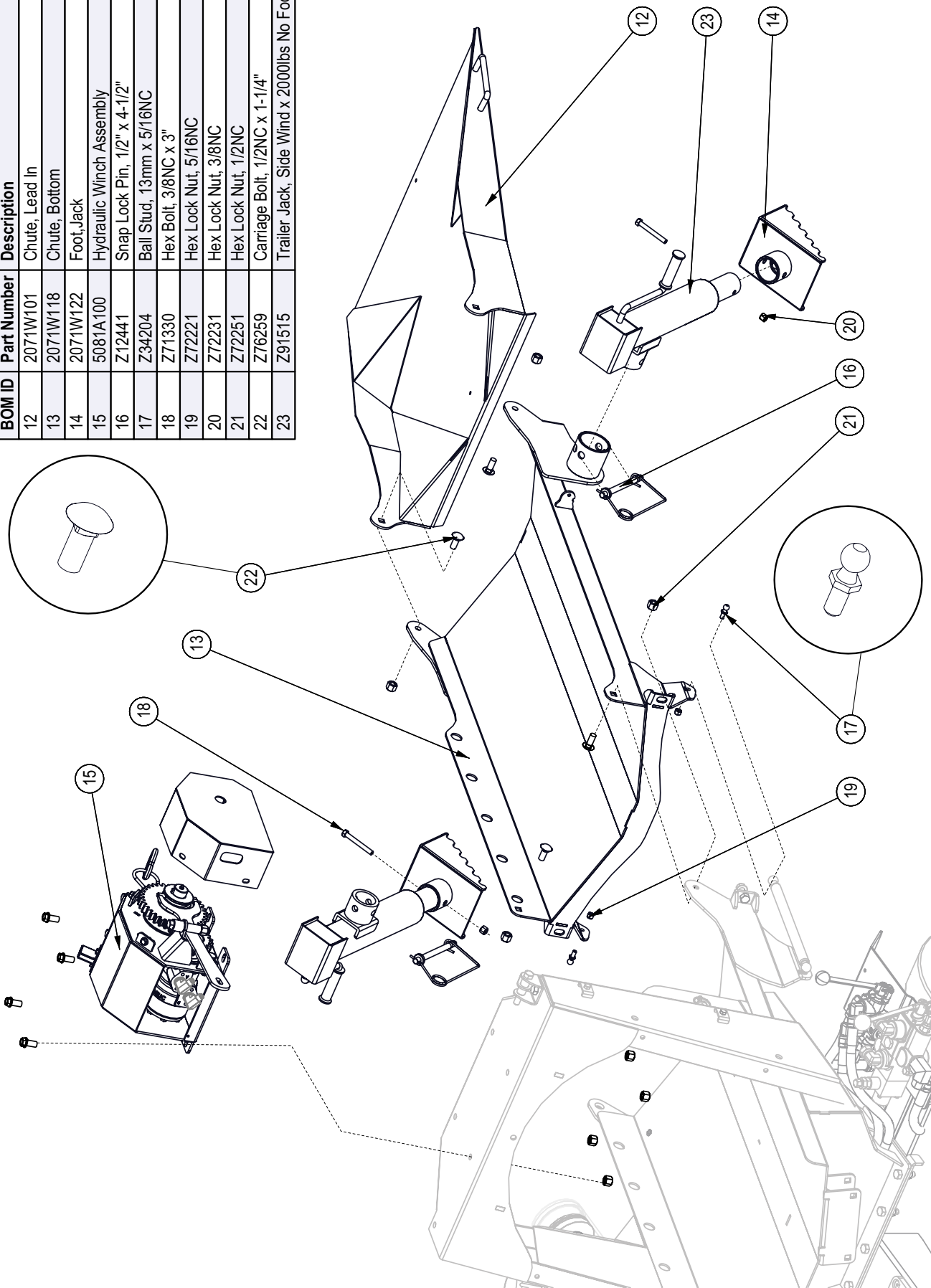
Splitter Chute Ass'y



Item	Part Number	Description	Qty
1	2071W104	Splitter Chute	1
2	2071W114	Chute Adjuster	1
3	2071L188	Plate Spring Mount	1
4	Z11232	Hitch Pin 5/8 x 4-1/4	2
5	Z12110	Latch Pin 3/16	2
6	Z34203	Gas Spring, 10mm x 8.44 Stroke	1
7	Z34204	Ball Stud 13mm x 5/16	1
8	Z72221	Hex Lock Nut, 5/16NC	1
9	Z72251	Hex Lock Nut, 1/2NC	2
10	Z76121	Flange Bolt, 5/16NC x 3/4	3
11	Z76259	Carriage Bolt, 1/2NC x 1-1/4	2

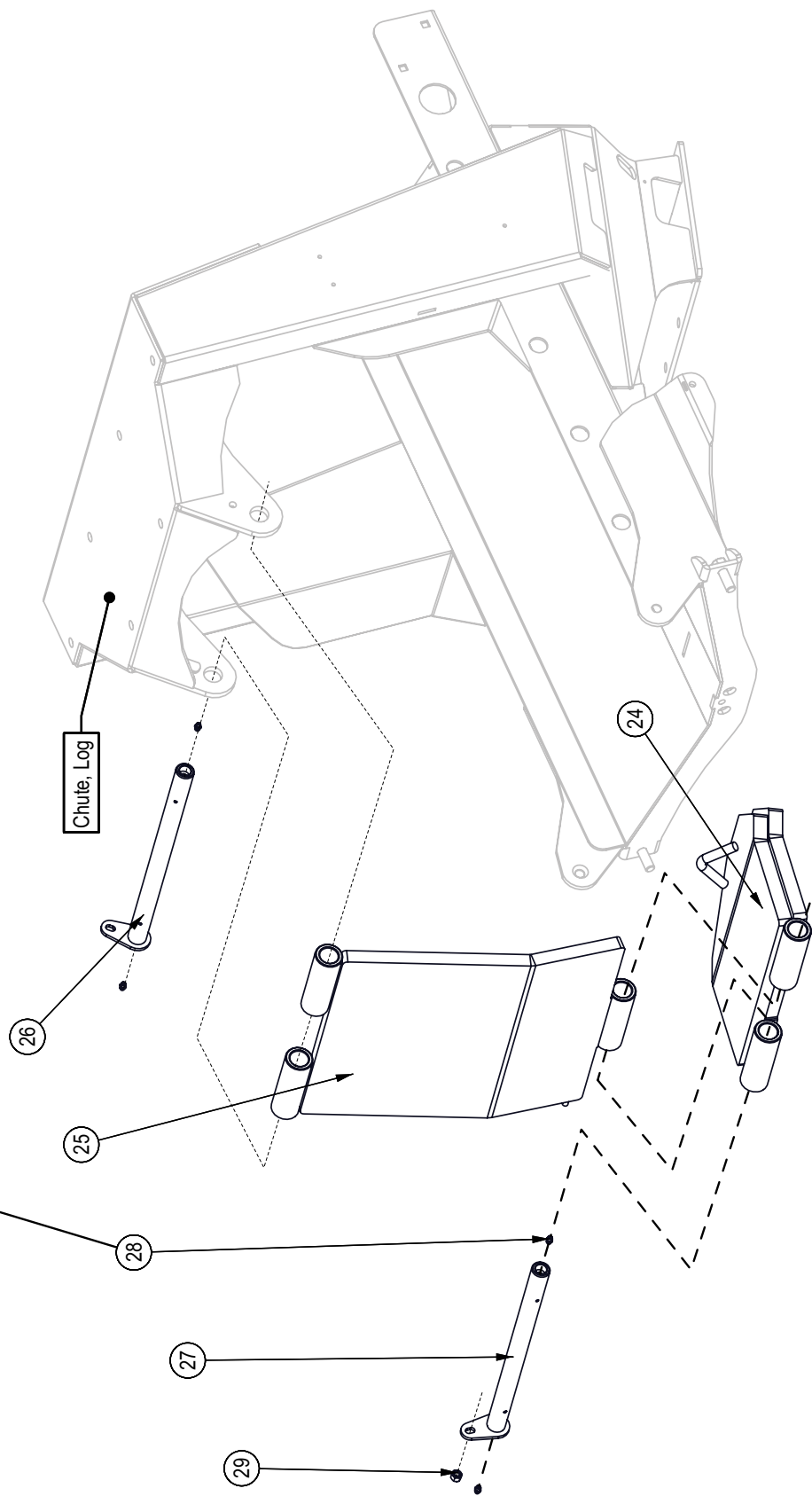
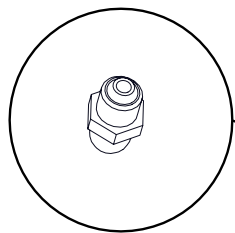
Lead In Chute Ass'y

BOM ID	Part Number	Description	Qty
12	2071W101	Chute, Lead In	1
13	2071W118	Chute, Bottom	1
14	2071W122	Foot, Jack	2
15	5081A100	Hydraulic Winch Assembly	1
16	Z12441	Snap Lock Pin, 1/2" x 4-1/2"	2
17	Z34204	Ball Stud, 13mm x 5/16NC	2
18	Z71330	Hex Bolt, 3/8NC x 3"	2
19	Z72221	Hex Lock Nut, 5/16NC	2
20	Z72231	Hex Lock Nut, 3/8NC	2
21	Z72251	Hex Lock Nut, 1/2NC	4
22	Z76259	Carriage Bolt, 1/2NC x 1-1/4"	4
23	Z91515	Trailer Jack, Side Wind x 2000lbs No Foot	2

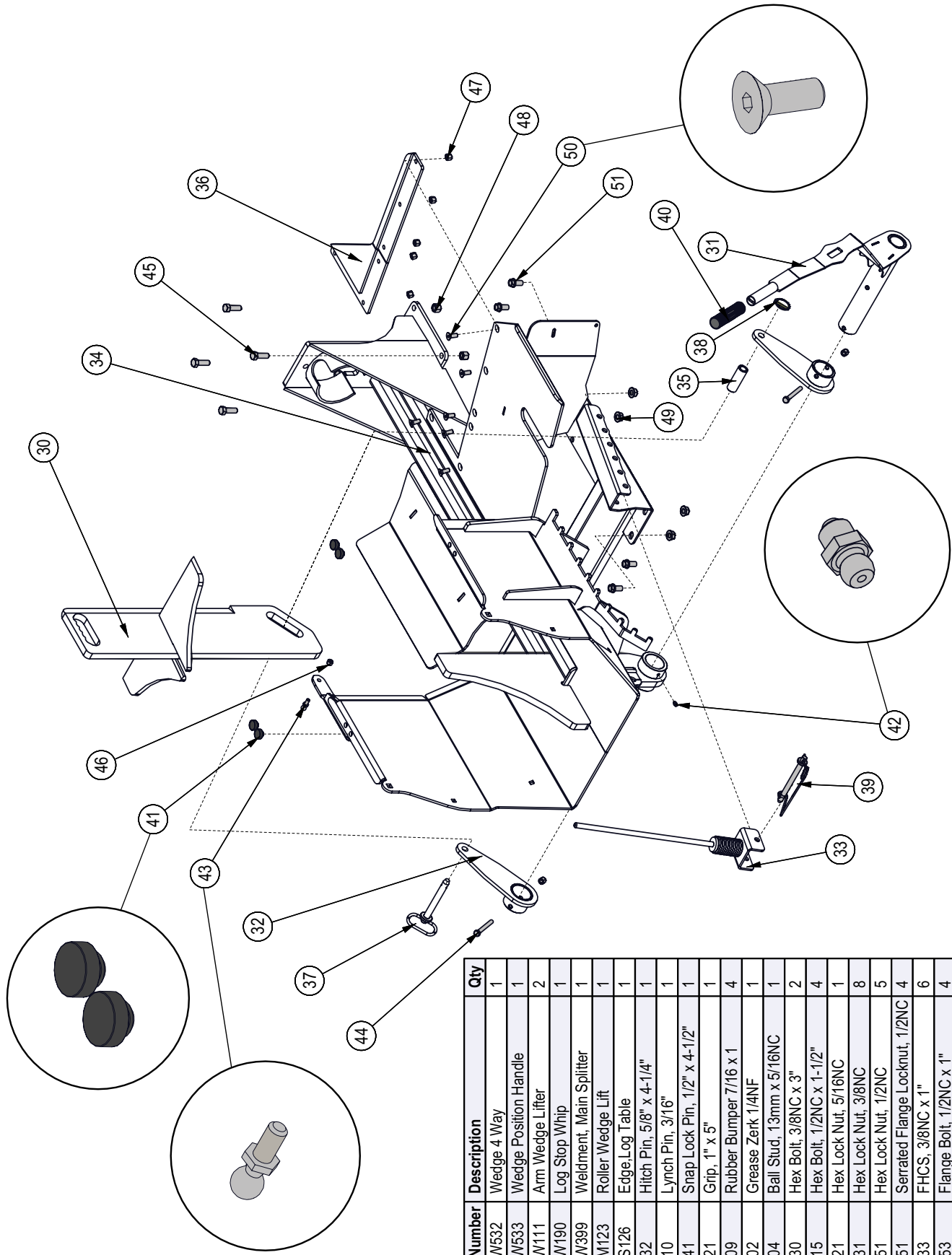


Log Hold Down Ass'y

BOM ID	Part Number	Description	Qty
24	2071W102	Hold Down Bottom	1
25	2071W110	Log Hold Down Long	1
26	2071W112	Pin, Log Hold Down	1
27	2071W136	Pin, Log Hold Down	1
28	Z29202	Grease Zerk 1/4NF	4
29	Z72221	Hex Lock Nut, 5/16NC	1

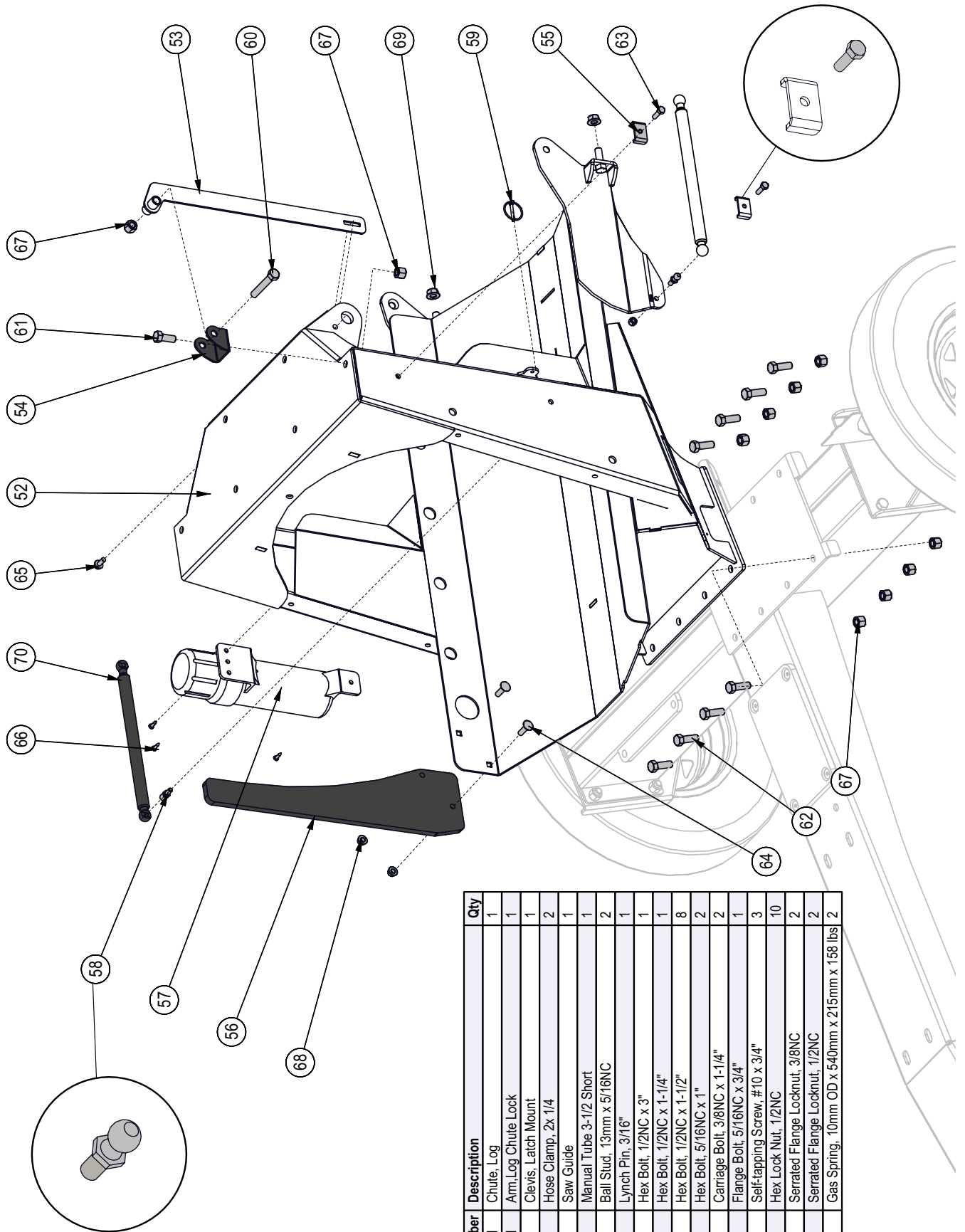


Splitter Cradle Ass'y



BOM ID	Part Number	Description	Qty
30	2071W532	Wedge 4 Way	1
31	2071W533	Wedge Position Handle	1
32	2071W111	Arm Wedge Lifter	2
33	2071W190	Log Stop Whip	1
34	2072W399	Weldment, Main Splitter	1
35	2071M123	Roller/Wedge Lift	1
36	2071S126	Edge,Log Table	1
37	Z11232	Hitch Pin, 5/8" x 4-1/4"	1
38	Z12110	Lynch Pin, 3/16"	1
39	Z12441	Snap Lock Pin, 1/2" x 4-1/2"	1
40	Z19321	Grip, 1" x 5"	1
41	Z19909	Rubber Bumper 7/16 x 1	4
42	Z29202	Grease Zerk 1/4NF	1
43	Z34204	Ball Stud, 13mm x 5/16NC	1
44	Z71330	Hex Bolt, 3/8NC x 3"	2
45	Z71515	Hex Bolt, 1/2NC x 1-1/2"	4
46	Z72221	Hex Lock Nut, 5/16NC	1
47	Z72231	Hex Lock Nut, 3/8NC	8
48	Z72251	Hex Lock Nut, 1/2NC	5
49	Z72551	Serrated Flange Locknut, 1/2NC	4
50	Z75233	FHCS, 3/8NC x 1"	6
51	Z76153	Flange Bolt, 1/2NC x 1"	4

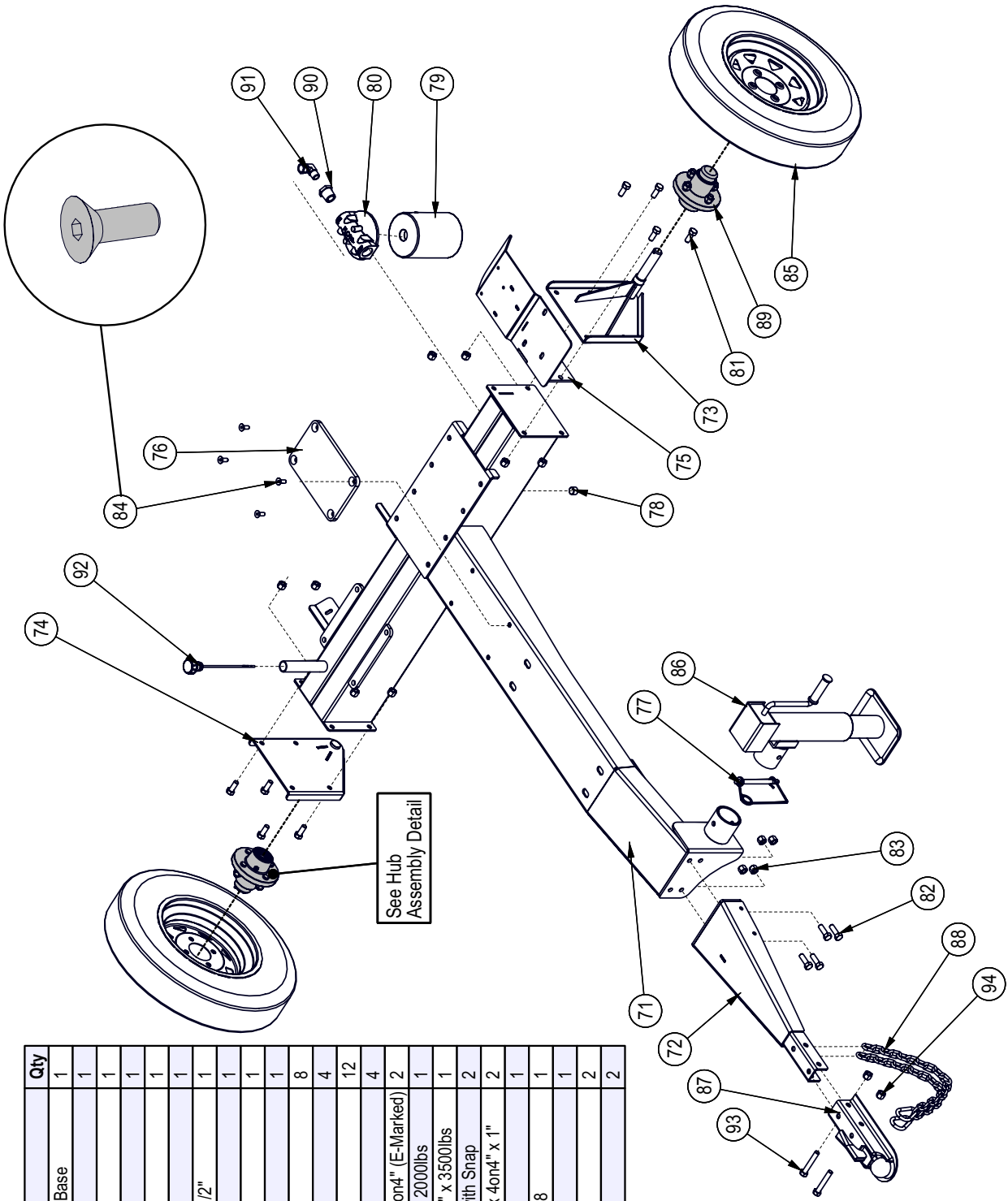
Log Chute Ass'y



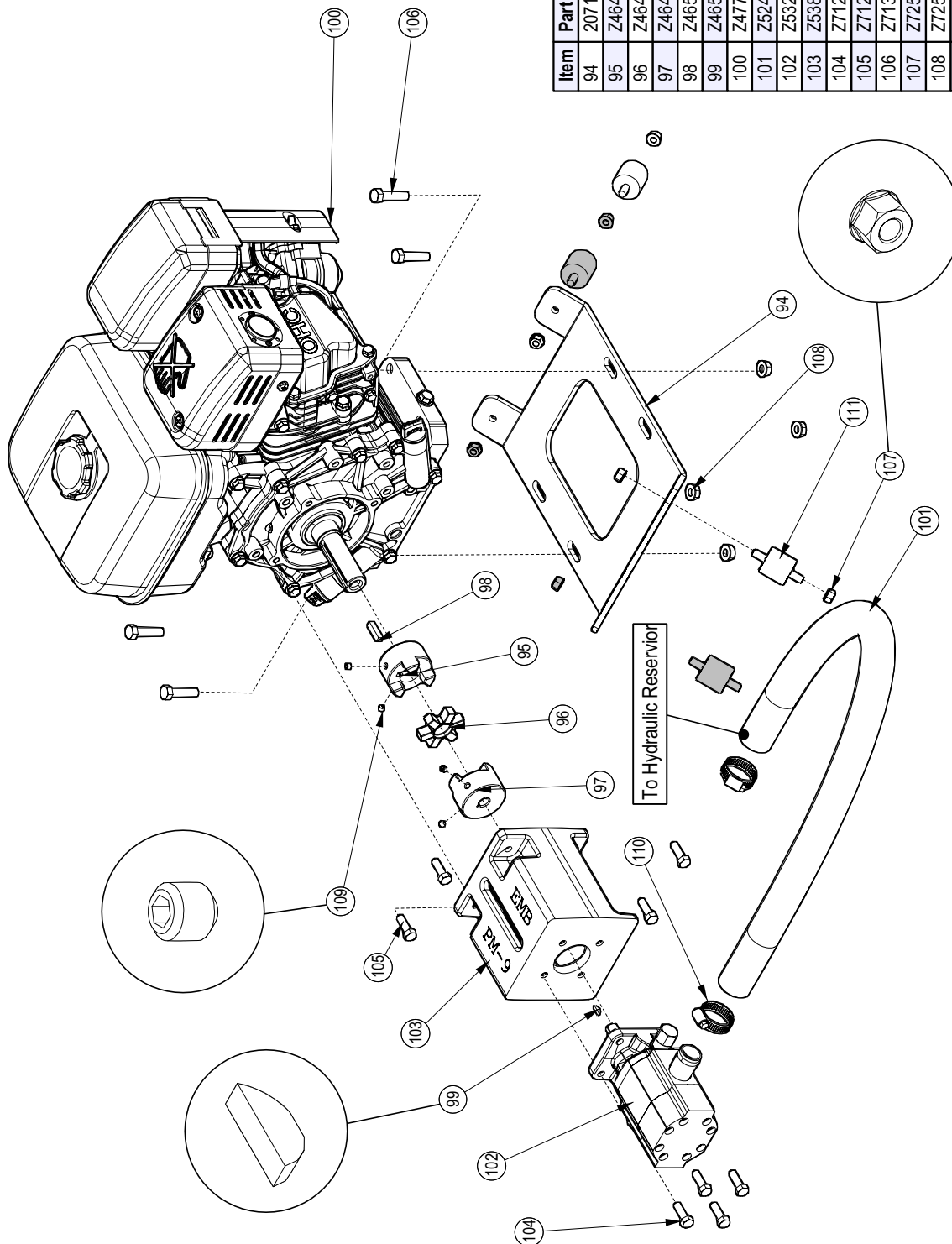
BOM ID	Part Number	Description	Qty
52	2072W011	Chute, Log	1
53	2071W121	Arm, Log Chute Lock	1
54	2071L123	Clevis, Latch Mount	1
55	2071L504	Hose Clamp, 2x 1/4	2
56	2071S506	Saw Guide	1
57	Z96503	Manual Tube 3-1/2 Short	1
58	Z12110	Ball Stud, 13mm x 5/16NC	2
59	Z34204	Lynch Pin, 3/16"	1
60	Z71530	Hex Bolt, 1/2NC x 3"	1
61	Z71512	Hex Bolt, 1/2NC x 1-1/4"	1
62	Z71515	Hex Bolt, 1/2NC x 1-1/2"	8
63	Z71210	Hex Bolt, 5/16NC x 1"	2
64	Z76232	Carriage Bolt, 3/8NC x 1-1/4"	1
65	Z76121	Flange Bolt, 5/16NC x 3/4"	2
66	Z76712	Self-tapping Screw, #10 x 3/4"	3
67	Z72251	Hex Lock Nut, 1/2NC	10
68	Z72531	Serrated Flange Locknut, 3/8NC	2
69	Z72551	Serrated Flange Locknut, 1/2NC	2
70	Z34203	Gas Spring, 10mm OD x 540mm x 215mm x 158 lbs	2

Running Gear

BOM ID	Part No.	Description	Qty
71	2072W396	Weldment, WP630 Tank Base	1
72	2072W010	Tongue, WP630	1
73	2072W394	Axel, Bolt On LH	1
74	2072W394H	2072W394 Mirror	1
75	2072W395	Valve Mount	1
76	2071S129	Chain Bumper	1
77	Z12441	Snap Lock Pin, 1/2" x 4-1/2"	1
78	Z51192	Socket Plug, MP 08	1
79	Z55303	Particulate Filter, FP16	1
80	Z55304	Filter Cap, MP16 x FP16	1
81	Z71512	Hex Bolt, 1/2NC x 1-1/4"	8
82	Z71515	Hex Bolt, 1/2NC x 1-1/2"	4
83	Z72251	Hex Lock Nut, 1/2NC	12
84	Z75233	FHCS, 3/8NC x 1"	4
85	Z91322	5.30-12 LRC USA Trail 4on4" (E-Marked)	2
86	Z91512	Trailer Jack, Side Wind x 2000lbs	1
87	Z91614	Hitch Coupler, 2" Ball x 2" x 3500lbs	1
88	Z92303	Safety Chain, 1/4" x 2ft with Snap	2
89	Z91202	Idler Hub Assy, 1000lbs x 4on4" x 1"	2
90	Z51223	Straight, MP x FP 1608	1
91	Z51331	Elbow 90, MP x FPX 0808	1
92	Z55404	Vented Plug Dipstick x 9"	1
93	Z71530	Hex Bolt, 1/2NC x 3"	2
94	Z72251	Hex Lock Nut, 1/2NC	2



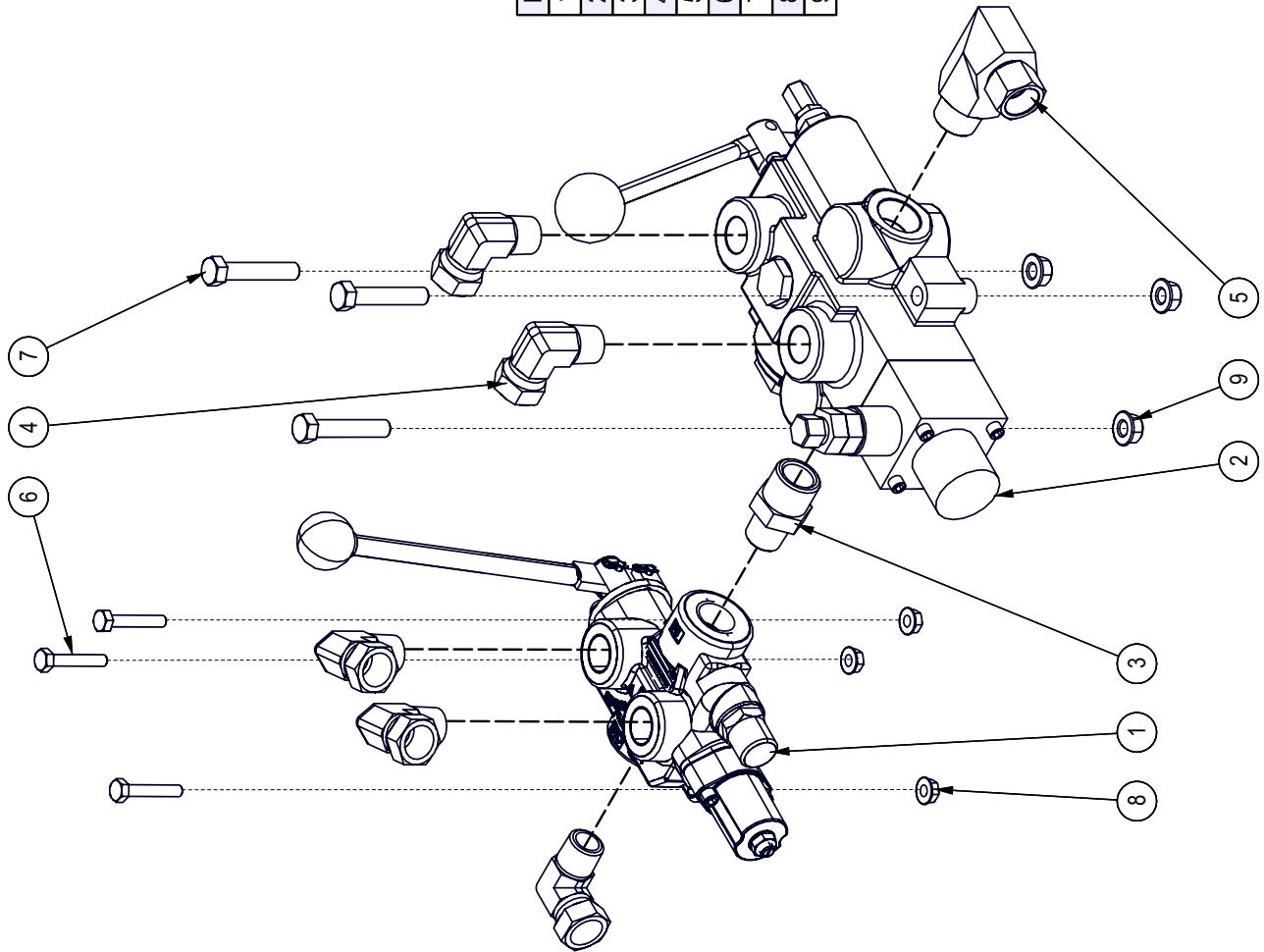
Engine & Pump Ass'y



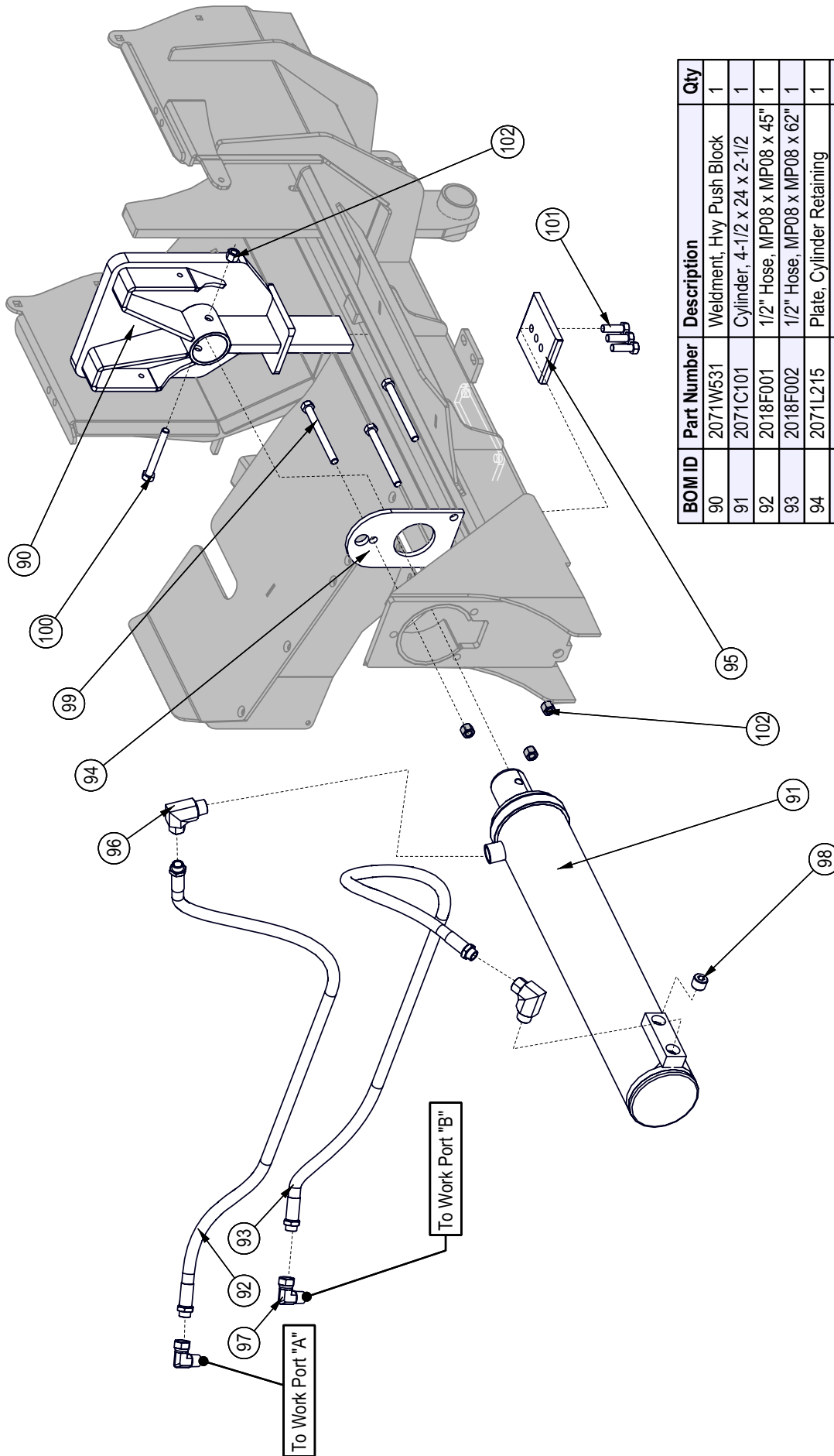
Item	Part Number	Description	Qty
94	2071L185	Plate, Engine Mount	1
95	Z46404	Shaft Coupler L095 x 1	1
96	Z46405	Coupler Spider L095	1
97	Z46409	Shaft Coupler L095 x 1/2	1
98	Z46533	Key, 1/4 x 1/4 x 1	1
99	Z46592	Woodruff Key, 1/8 x 1/2	1
100	Z47704	Subaru EX270 9hp Engine	1
101	Z52407	1" Suction Hose x 30"	1
102	Z53205	Pump, 16gpm Two-Stage	1
103	Z53802	Pump Mounting, PM-9	1
104	Z71210	Hex Bolt, 5/16NC x 1	4
105	Z71274	Hex Bolt, 5/16NF x 1	4
106	Z71315	Hex Bolt, 3/8NC x 1-1/2	4
107	Z72521	Flange Nut 5/16NC	8
108	Z72531	Flange Nut 3/8NC	4
109	Z74111	Set Screw, 1/4NC	4
110	Z79401	Hose Clamp, #16	2
111	Z79931	Rubber Mount	4

BOM ID	Part No.	Description	Qty
1	Z56209	Single Spool Valve, OC Tandem SCDK x 18GPM	1
2	Z56214	Single Spool Valve, VC Tandem SC x 30GPM	1
3	Z51121	Straight, MP x MP 1208	1
4	Z51331	Elbow 90, MP x FFX 0808	5
5	Z51334	Elbow 90, MP x FFX 1208	1
6	Z71115	Hex Bolt, 1/4NC x 1-1/2"	3
7	Z71320	Hex Bolt, 3/8NC x 2"	3
8	Z72511	Serrated Flange Locknut, 1/4NC	3
9	Z72531	Serrated Flange Locknut, 3/8NC	3

Valve Parts

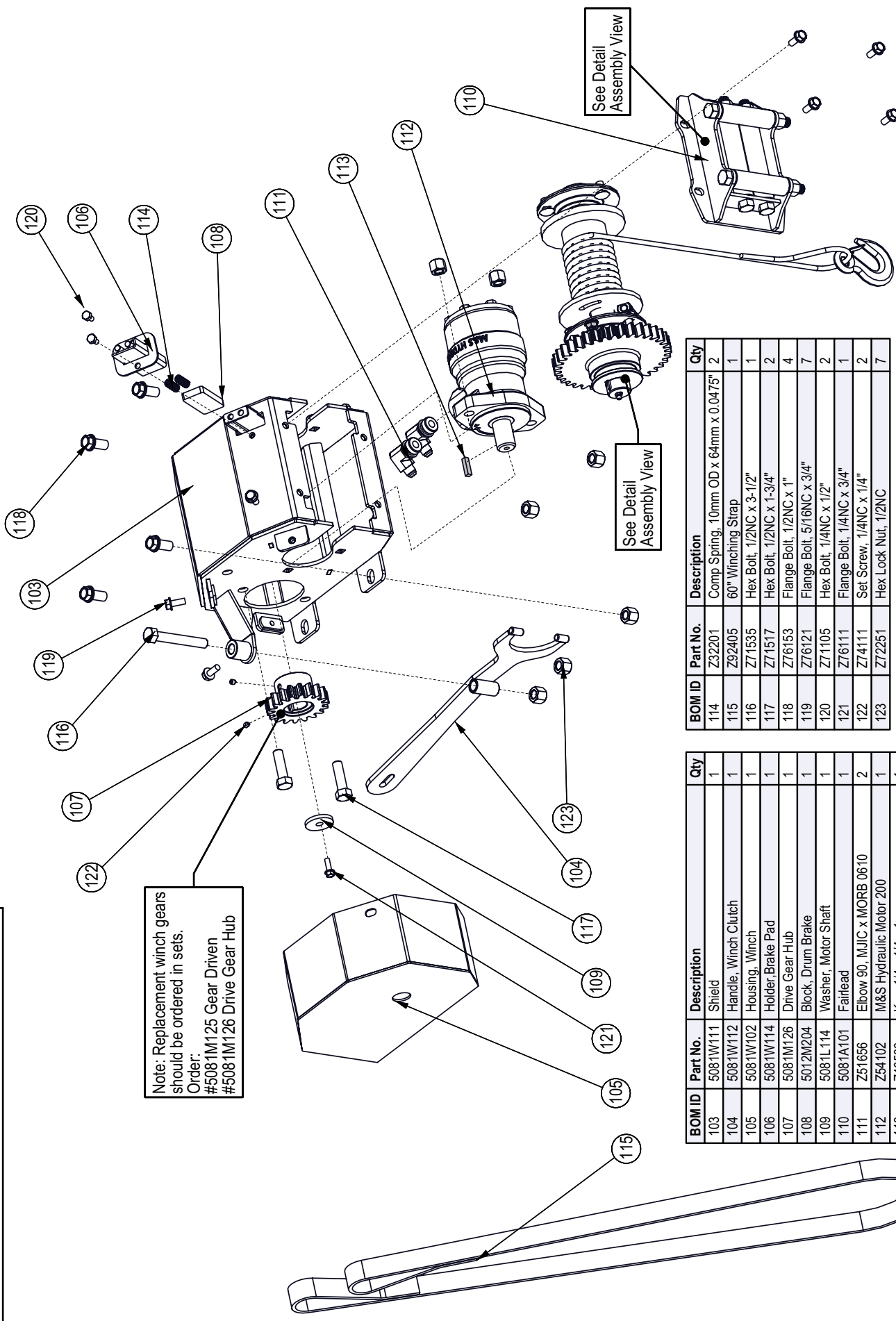


Hydraulic Splitter Ass'y



BOM ID	Part Number	Description	Qty
90	2071W531	Weldmt, Hvy Push Block	1
91	2071C101	Cylinder, 4-1/2 x 24 x 2-1/2	1
92	2018F001	1/2" Hose, MP08 x MP08 x 45"	1
93	2018F002	1/2" Hose, MP08 x MP08 x 62"	1
94	2071L215	Plate, Cylinder Retaining	1
95	2055S517	Cap, Push Block	1
96	Z51334	Elbow 90, MP x FFX 1208	2
97	Z51331	Elbow 90, MP x FFX 0808	2
98	Z51195	Socket Plug, MP 12	1
99	Z71555	Hex Bolt, 1/2NC x 5-1/2"	3
100	Z71540	Hex Bolt, 1/2NC x 4"	1
101	Z71576G8	Hex Bolt, 1/2NF x 1-1/2" G8	3
102	Z72251	Hex Lock Nut, 1/2NC	4

Hydraulic Winch

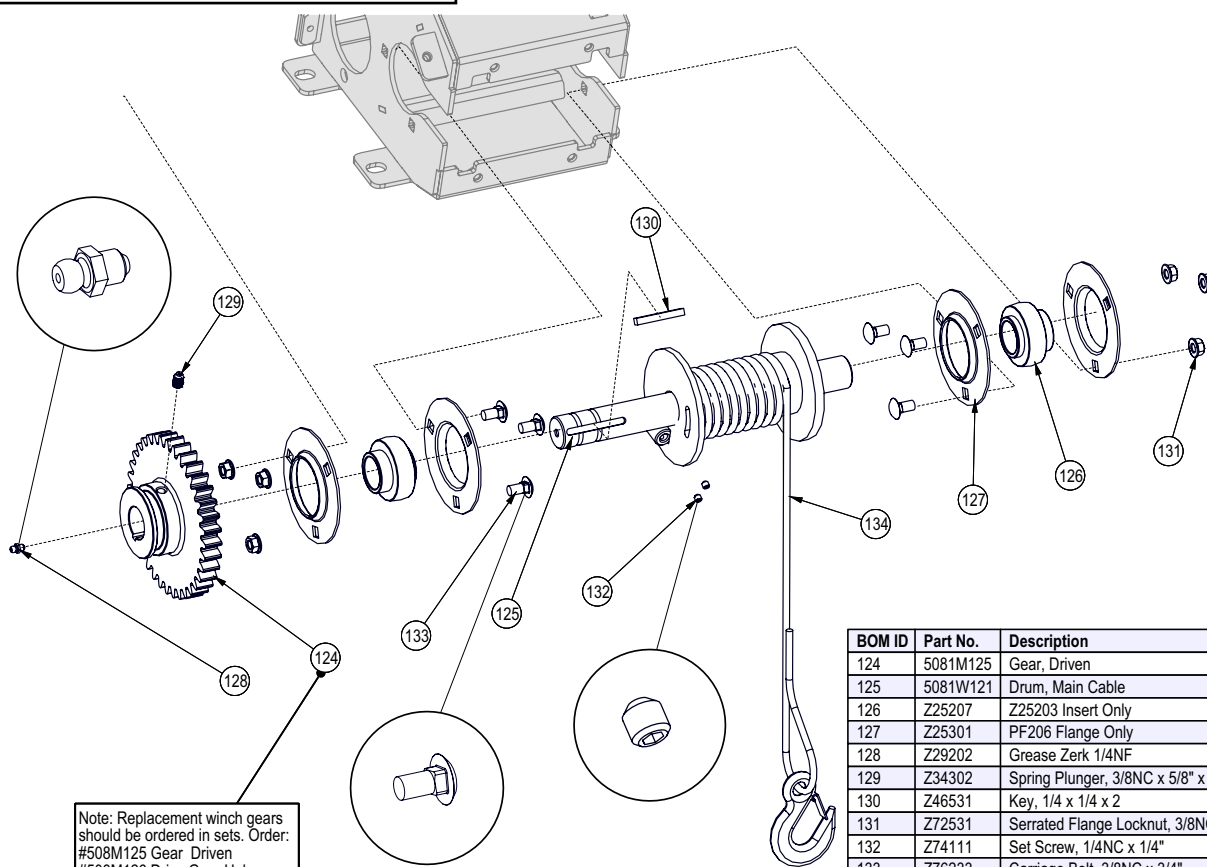


Note: Replacement winch gears should be ordered in sets.
 Order:
 #5081M125 Gear Driven
 #5081M126 Drive Gear Hub

BOM ID	Part No.	Description	Qty
114	Z32201	Comp Spring, 10mm OD x 64mm x 0.0475"	2
115	Z92405	60" Winching Strap	1
116	Z71535	Hex Bolt, 1/2NC x 3-1/2"	1
117	Z71517	Hex Bolt, 1/2NC x 1-3/4"	2
118	Z76153	Flange Bolt, 1/2NC x 1"	4
119	Z76121	Flange Bolt, 5/16NC x 3/4"	7
120	Z71105	Hex Bolt, 1/4NC x 1/2"	2
121	Z76111	Flange Bolt, 1/4NC x 3/4"	1
122	Z74111	Set Screw, 1/4NC x 1/4"	2
123	Z72251	Hex Lock Nut, 1/2NC	7

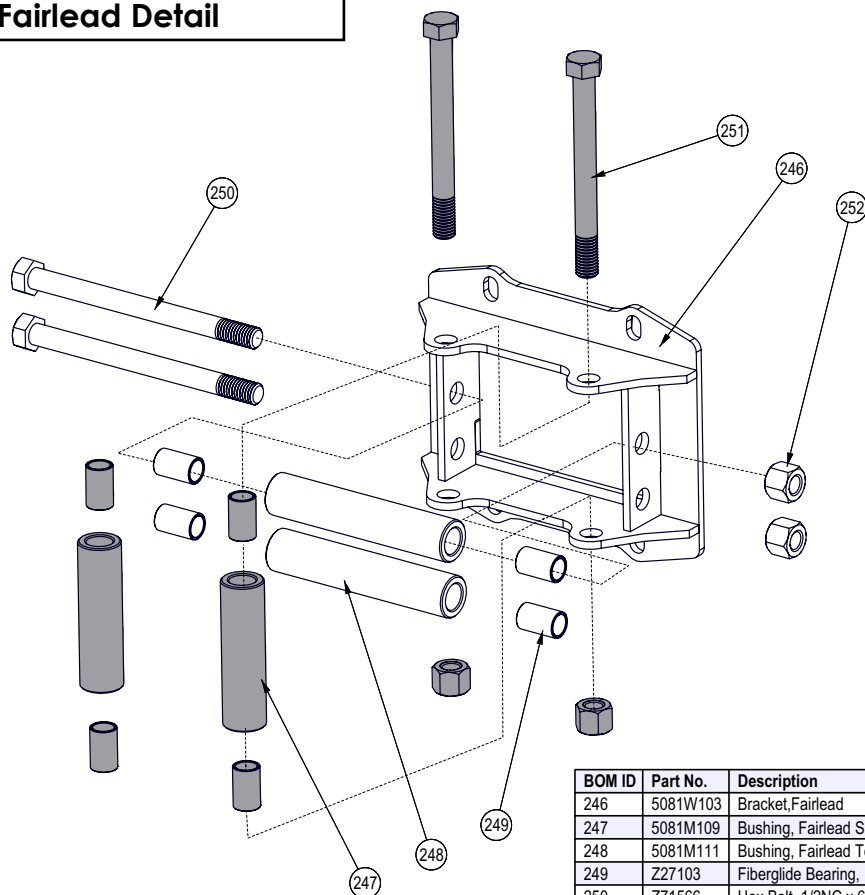
BOM ID	Part No.	Description	Qty
103	5081W111	Shield	1
104	5081W112	Handle, Winch Clutch	1
105	5081W102	Housing, Winch	1
106	5081W114	Holder, Brake Pad	1
107	5081M126	Drive Gear Hub	1
108	5012M204	Block, Drum Brake	1
109	5081L114	Washer, Motor Shaft	1
110	5081A101	Fallhead	1
111	Z51656	Elbow 90, MJIC x MORB 0610	2
112	Z54102	M&S Hydraulic Motor 200	1
113	Z46533	Key, 1/4 x 1/4 x 1	1

Winch Drum Detail



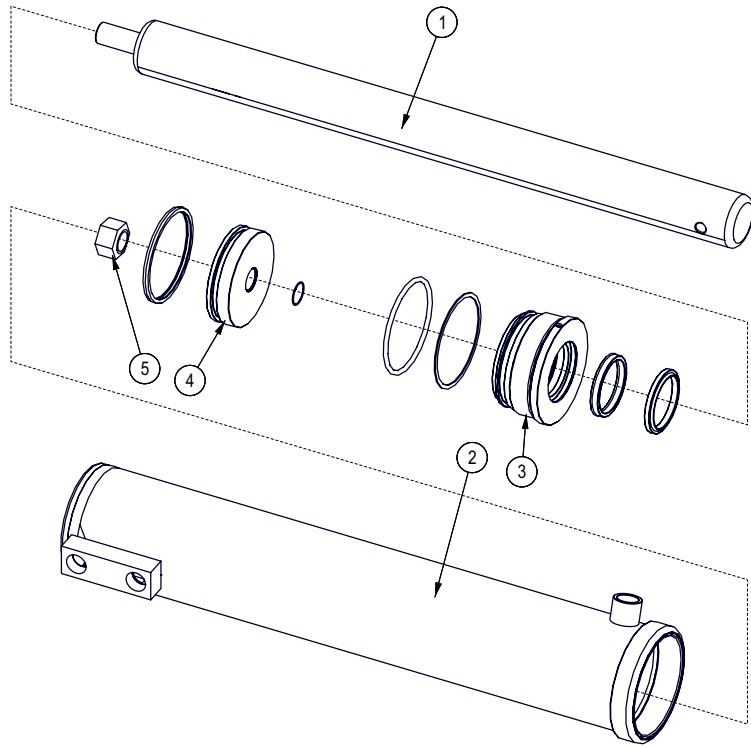
BOM ID	Part No.	Description	Qty
124	5081M125	Gear, Driven	1
125	5081W121	Drum, Main Cable	1
126	Z25207	Z25203 Insert Only	2
127	Z25301	PF206 Flange Only	4
128	Z29202	Grease Zerk 1/4NF	1
129	Z34302	Spring Plunger, 3/8NC x 5/8" x 21 lbs	1
130	Z46531	Key, 1/4 x 1/4 x 2	1
131	Z72531	Serrated Flange Locknut, 3/8NC	6
132	Z74111	Set Screw, 1/4NC x 1/4"	2
133	Z76233	Carriage Bolt, 3/8NC x 3/4"	6
134	Z92112	Synthetic Winch Rope 1/4 x 50' with Hook	1

Winch Fairlead Detail



BOM ID	Part No.	Description	Qty
246	5081W103	Bracket, Fairlead	1
247	5081M109	Bushing, Fairlead Side	2
248	5081M111	Bushing, Fairlead Top	2
249	Z27103	Fiberglide Bearing, 1/2" ID x 1" long x 1/16" wall	8
250	Z71566	Hex Bolt, 1/2NC x 6-1/4" x 5-1/4" Shank	2
251	Z71567	Hex Bolt, 1/2NC x 5" x 4" Shank	2
252	Z72251	Hex Lock Nut, 1/2NC	4

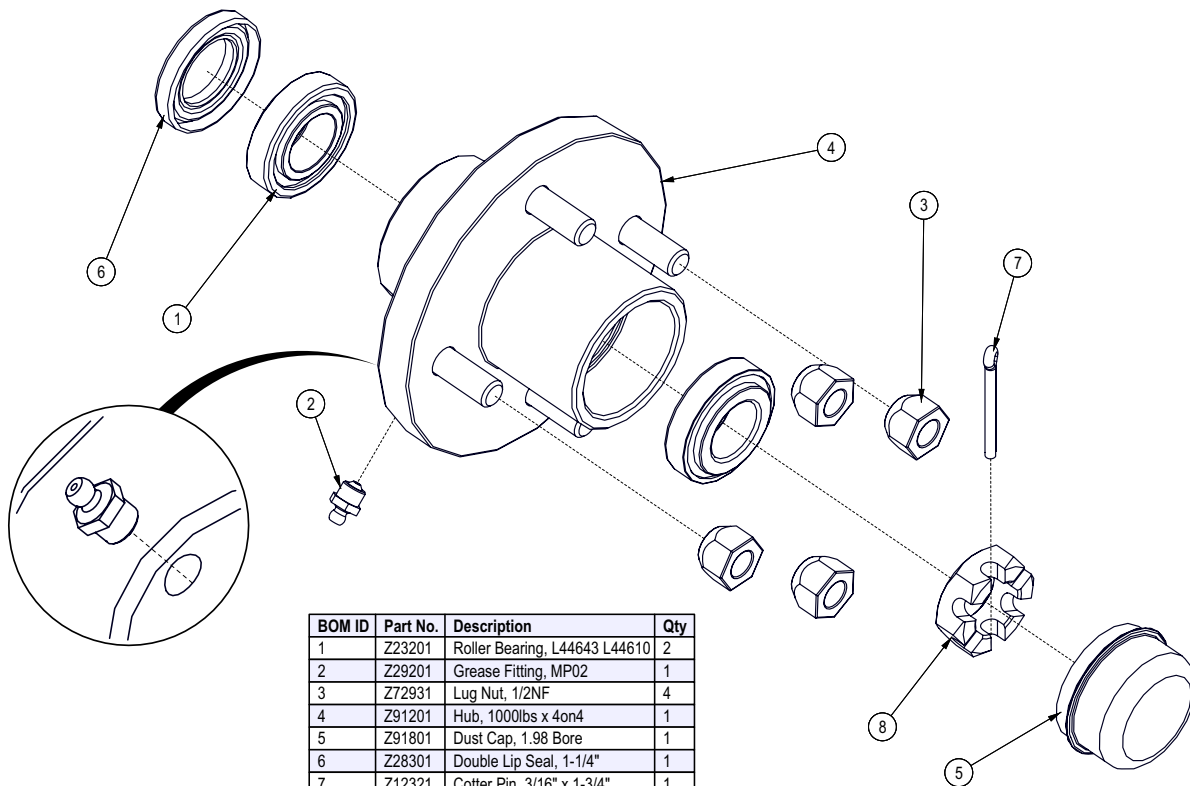
Hydraulic Cylinder



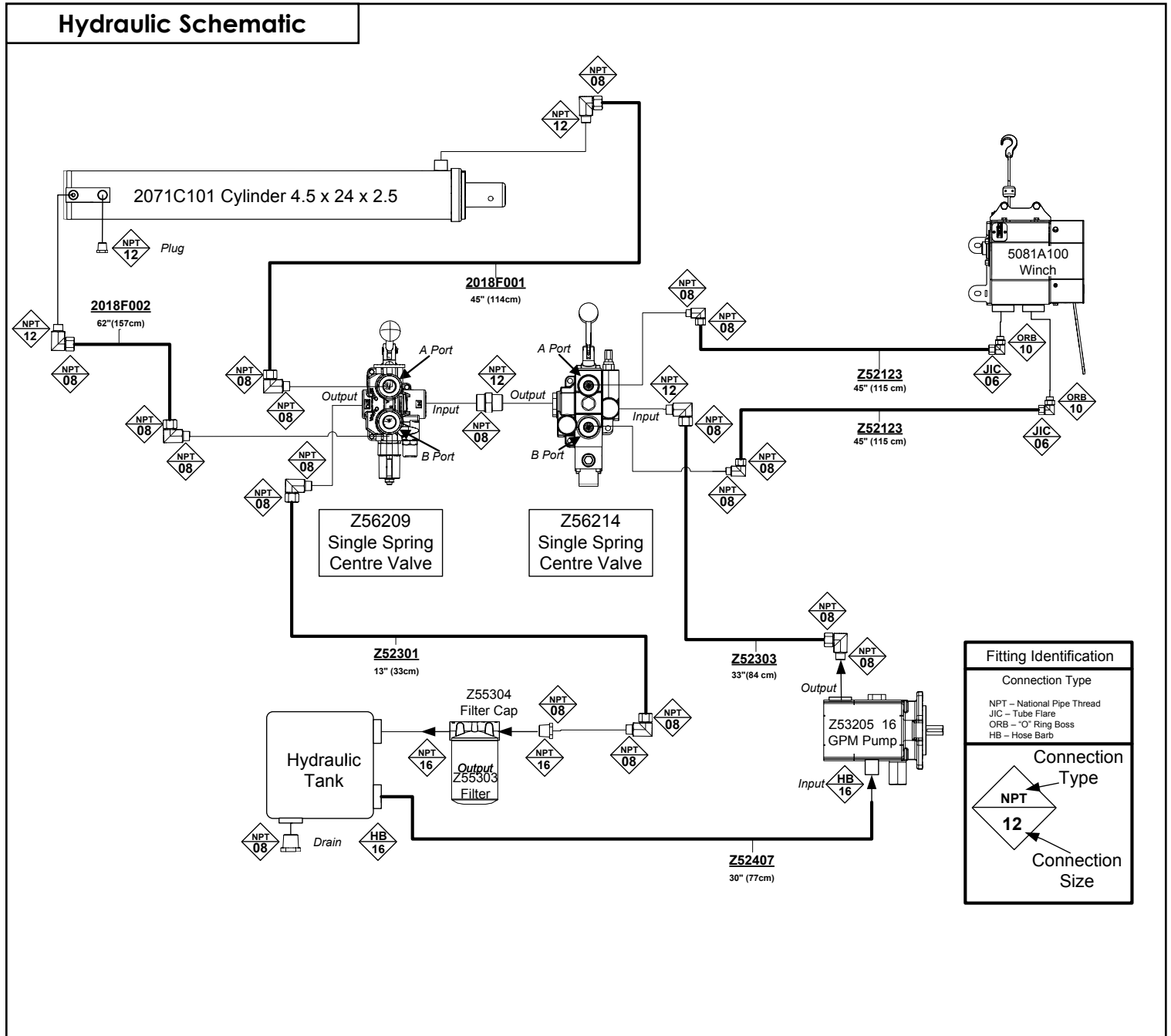
Seal Kit #SLK-4525

BOM ID	Part No.	Description	Qty
1	2071C1012	Rod, 2-1/2x 1	1
2	2071C1014	Barrel, 4-1/2"	1
3	G450-250S	Gland, 4-1/2" x 2-1/2"	1
4	P100-450SP	Piston, 4-1/2" Bore	1
5	Z72292G8	Hex Lock Nut 1NF Grade 8	1

Hub Assembly Detail

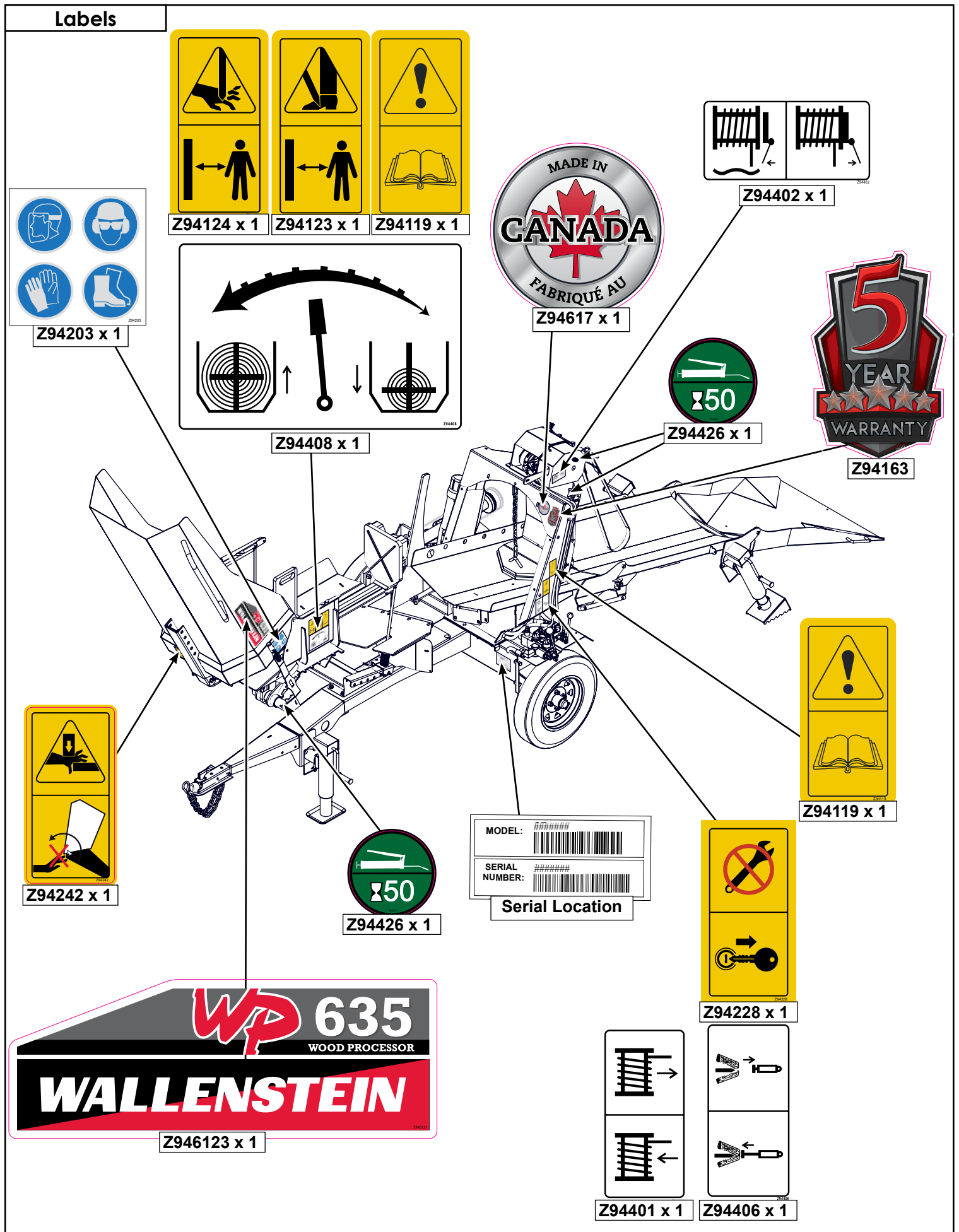


BOM ID	Part No.	Description	Qty
1	Z23201	Roller Bearing, L44643 L44610	2
2	Z29201	Grease Fitting, MP02	1
3	Z72931	Lug Nut, 1/2NF	4
4	Z91201	Hub, 1000lbs x 4on4	1
5	Z91801	Dust Cap, 1.98 Bore	1
6	Z28301	Double Lip Seal, 1-1/4"	1
7	Z12321	Cotter Pin, 3/16" x 1-3/4"	1
8	Z72691	Castle Nut, 1NF x 9/16" Thick	1



Hydraulic Hose List

Part No.	Description	Qty
2018F001	1/2" Hose, MP08 x MP08 x 45	1
2018F002	1/2" Hose, MP08 x MP08 x 62	1
Z52303	1/2" Hose, MP08 x MP08 x 33	1
Z52301	1/2" Hose, MP08 x MP08 x 13	1
Z52123	1/4" Hose, FJIC06 x MP08 x 45	2
Z52407	Suction Hose, 1 x 30	1





Z946121 x 1



Z946122 x 1



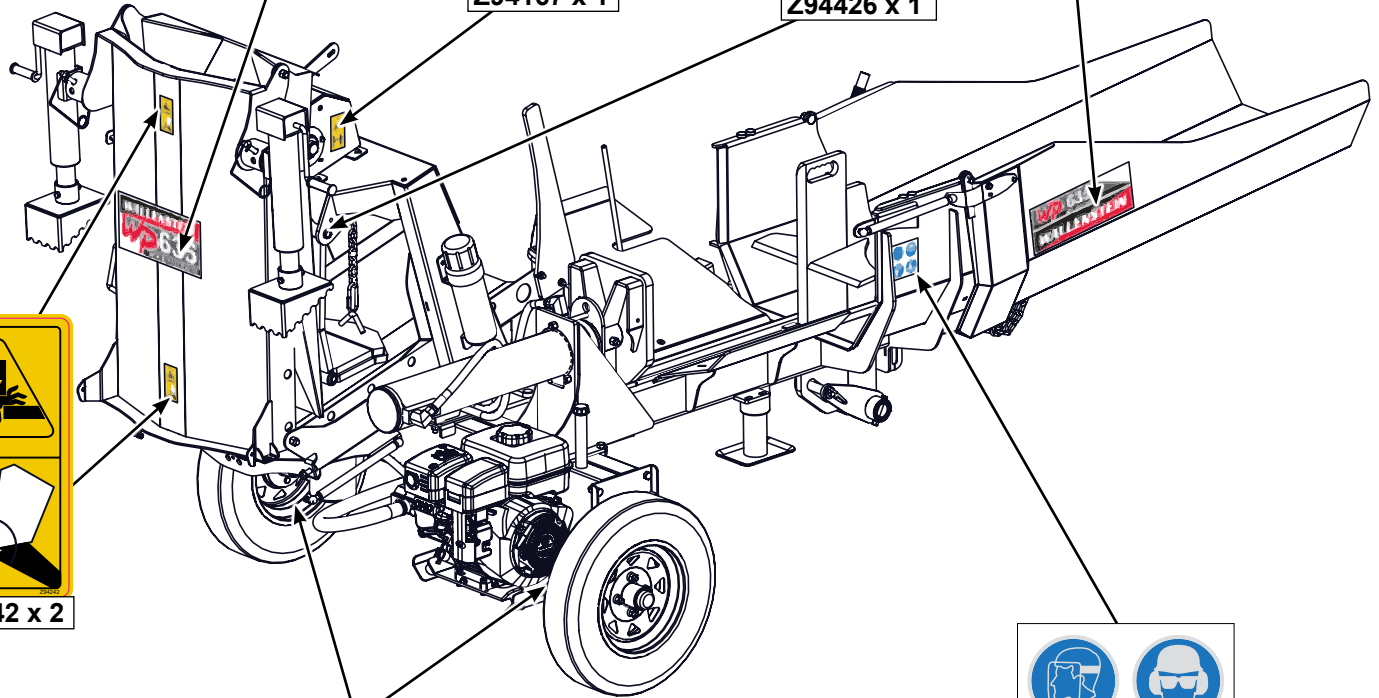
Z94167 x 1



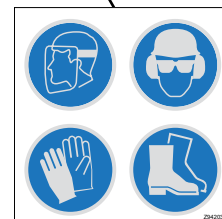
Z94426 x 1



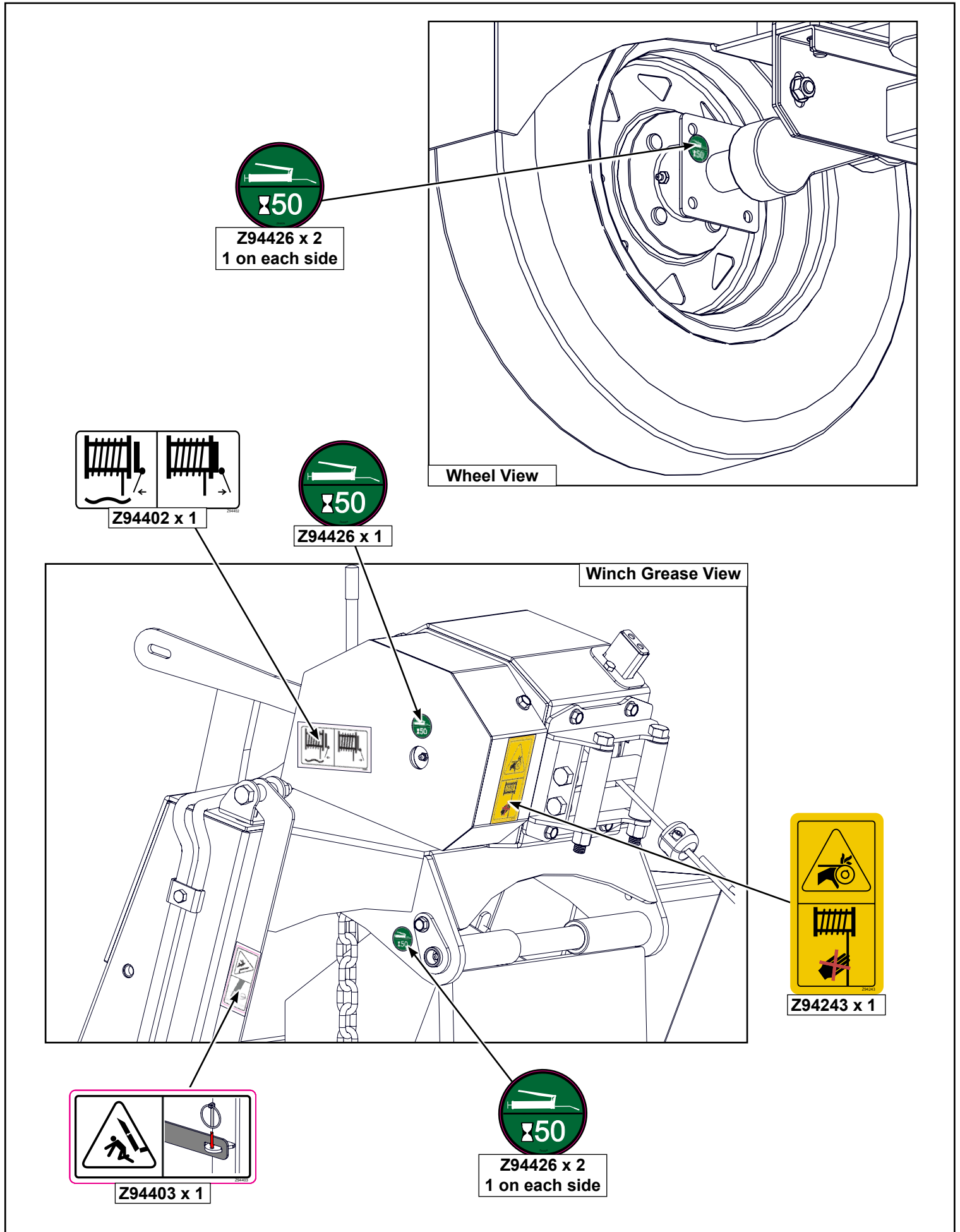
Z94242 x 2



Z94426 x 2

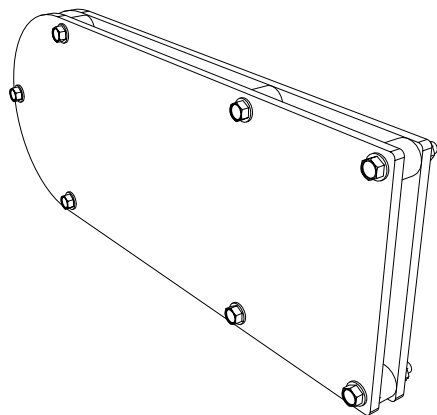


Z94203 x 1

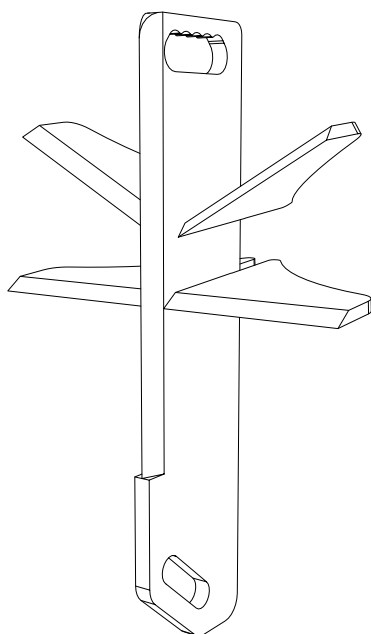


Accessories

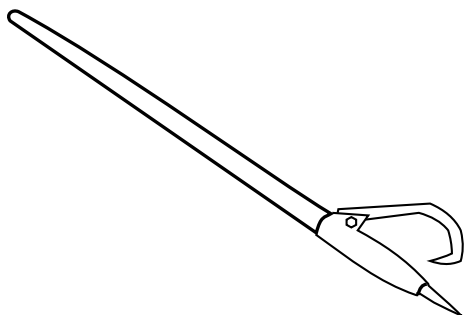
Call your dealer for pricing and availability



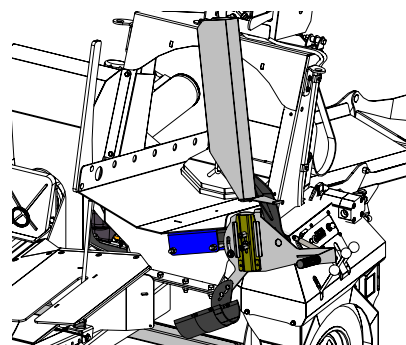
#P100 NYLON CHAINSAW HOLSTER



#P601 6-WAY WEDGE



#299001 48" LOG PEAVEY



#P200

#P200 PIVOTING CHAINSAW HOLDER

For all WP Series
Easy mounting to most chain saws, the pivoting chain saw holder securely holds your saw in place allowing for easier cutting and saving time handling your chainsaw.

Available:
P210 Spare Pivoting Chainsaw Adaptor
Save time switching out chainsaws with a spare adaptor for your second chainsaw!



**#Z97086
WOOD PROCESSOR
OPERATOR'S MANUAL**

Available as a download at
www.wallensteinequipment.com