



# WX930 Trailer Log Splitter Parts Manual

S/N 29307 to S/N 293010



## Foreword

EMB Mfg. has prepared this parts manual to assist customers in ordering quality OEM replacement parts.

Proper and regular service and replacing old, worn or broken parts with the correct Wallenstein parts are essential to prolonging the life of your Wallenstein product. Please refer to this manual before ordering any replacement parts.

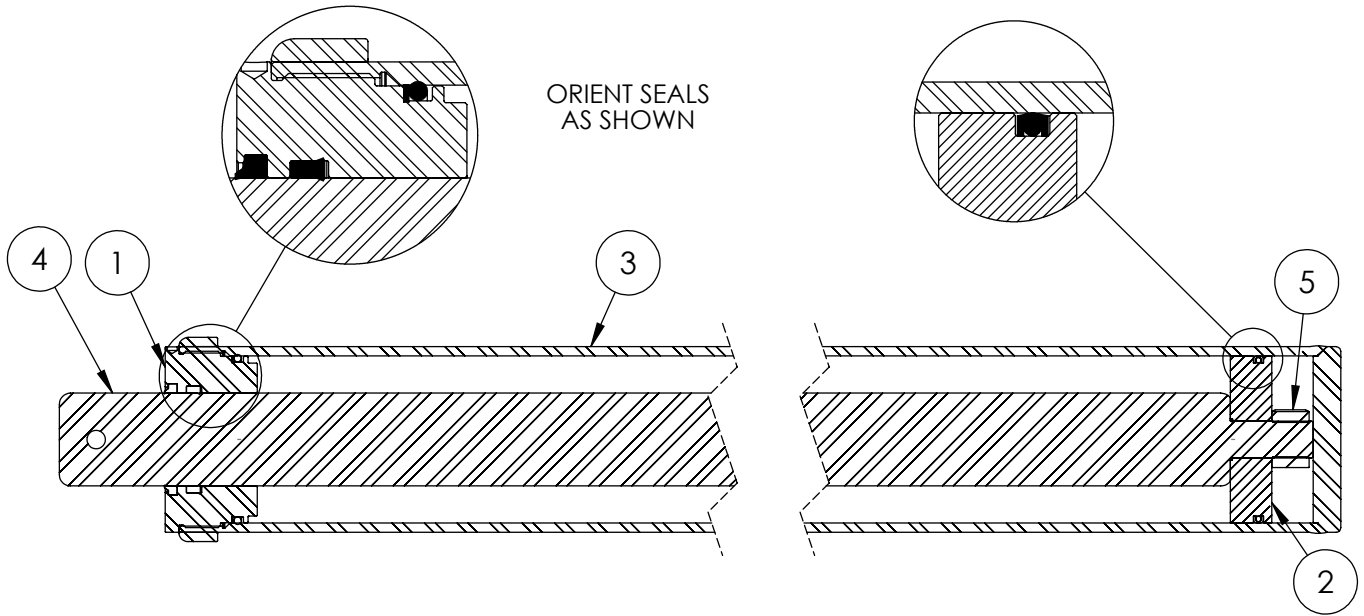
All information contained in this parts manual is based on the latest product specification available at the time of printing this manual. If your product differs from the specifications contained within this manual contact EMB Mfg. for information.

EMB reserves the right to alter specifications on their products at any time.

Reproduction of this parts manual of any kind is prohibited without prior written permission from EMB Mfg.

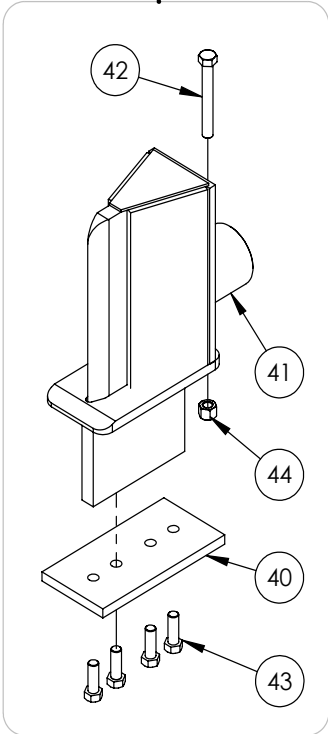
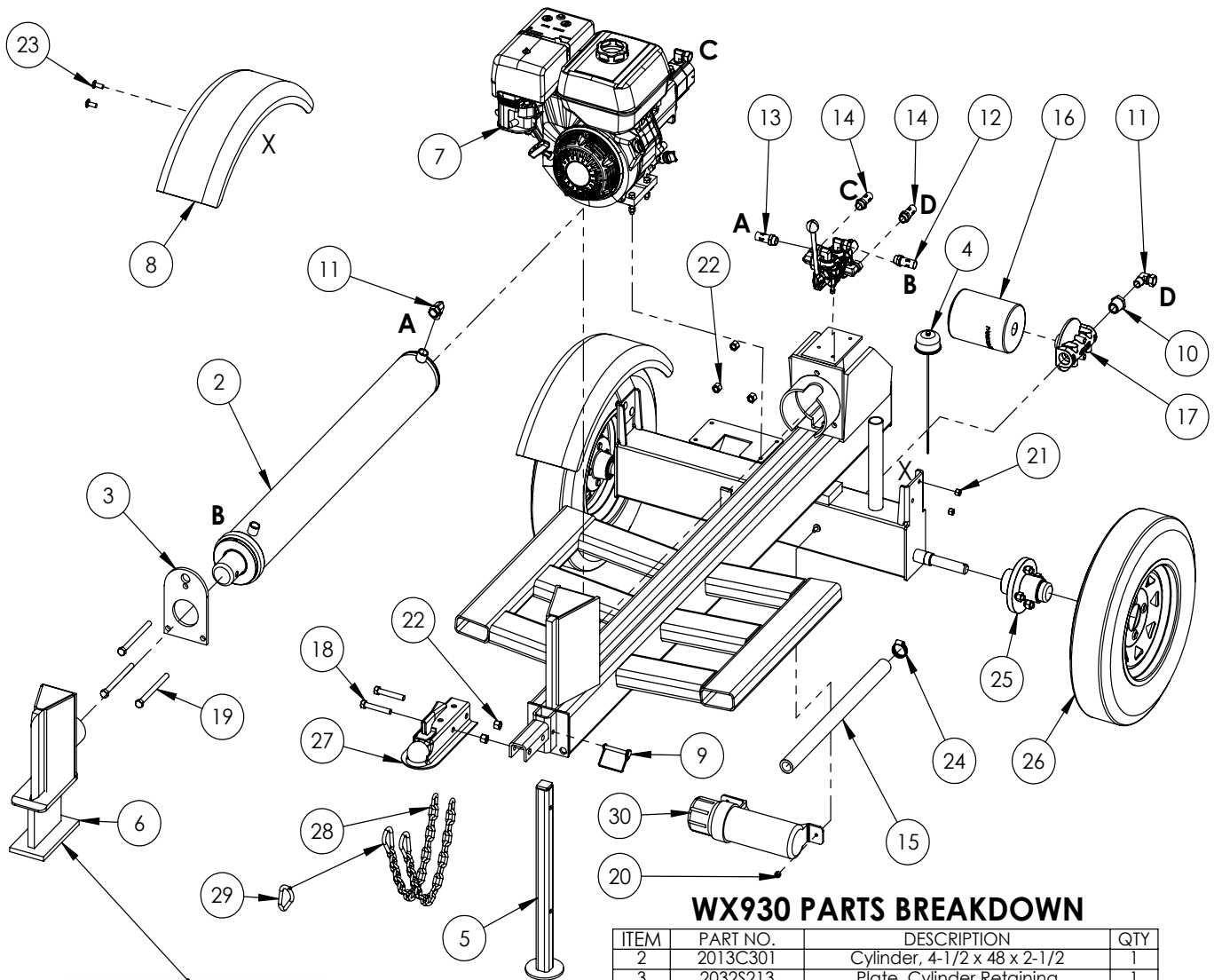
# Table of Contents

|                        |    |
|------------------------|----|
| Cylinder               | 4  |
| Main Parts             | 5  |
| Engine & Pump          | 6  |
| Valve & Fittings       | 7  |
| Valve                  | 8  |
| Hub                    | 10 |
| 4-Way Wedge (Optional) | 11 |
| Light Kit (Optional)   | 12 |
| Decal Breakdown        | 14 |



**4-1/2" x 48" STROKE CYLINDER PARTS**

| ITEM | PART NO.   | DESCRIPTION                               | QTY |
|------|------------|---|-----|
| 1    | G450-250SA | 4-1/2" Bore x 2-1/2" Rod Gland With Seals | 1   |
| 2    | P100-450SA | 4-1/2" Bore Piston With Seals             | 1   |
| 3    | 2013C3014  | Barrel, 4-1/2"                            | 1   |
| 4    | 2013C3012  | Rod, 2-1/2x 1                             | 1   |
| 5    | Z72292G8   | Hex Lock Nut 1NF Grade 8                  | 1   |
| 6    | SLK-4525   | Seal Kit, 4-1/2 x 2-1/2                   | 1   |

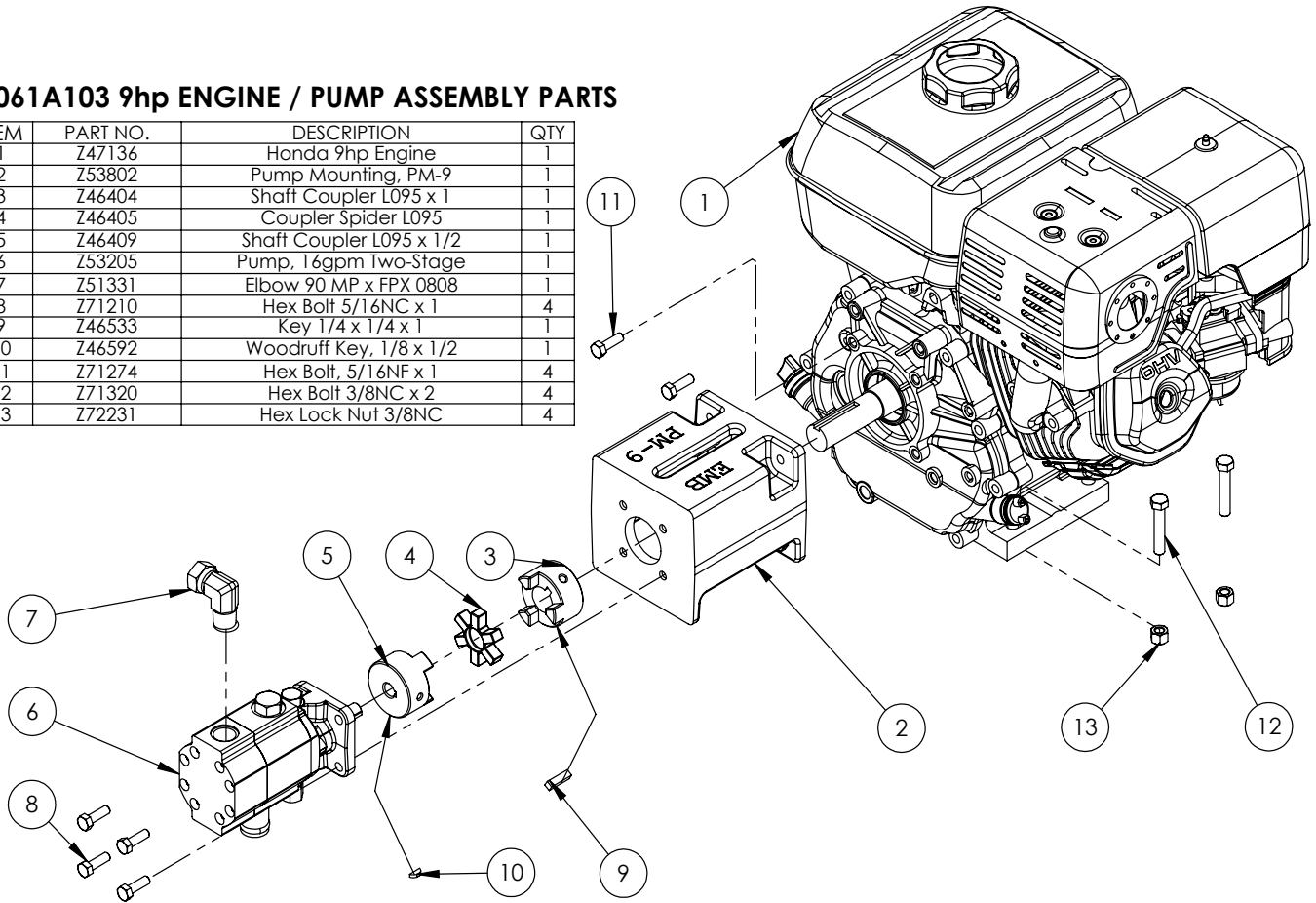


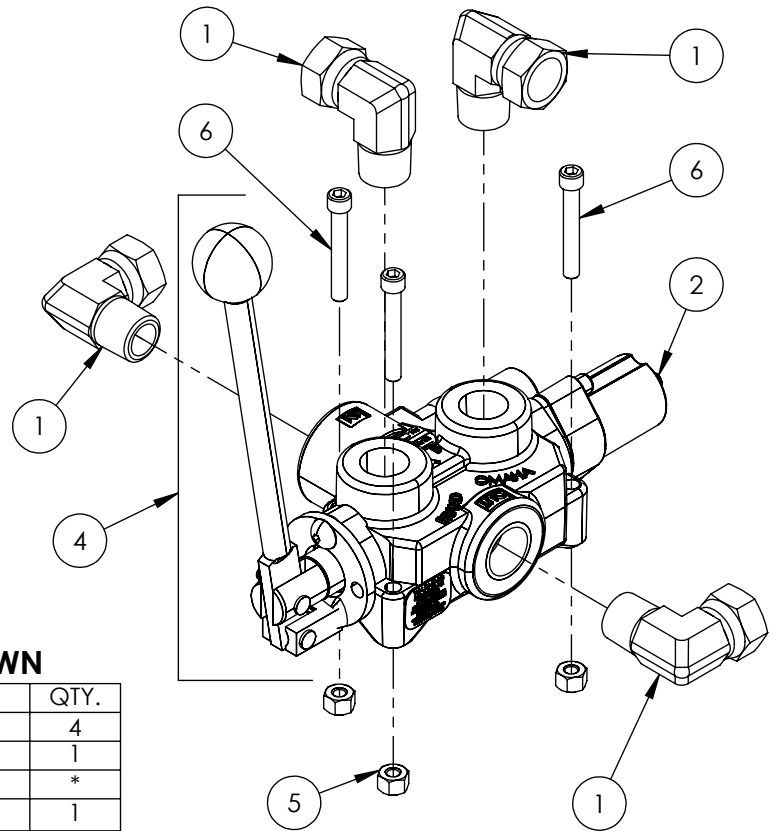
**WX930 PARTS BREAKDOWN**

| ITEM | PART NO. | DESCRIPTION                     | QTY |
|------|----------|---------------------------------|-----|
| 2    | 2013C301 | Cylinder, 4-1/2 x 48 x 2-1/2    | 1   |
| 3    | 2032S213 | Plate, Cylinder Retaining       | 1   |
| 4    | 2054A402 | Breather cap dipstick           | 1   |
| 5    | 2054W406 | Jack Stand, Front               | 1   |
| 6    | 2058A802 | Wedge, Large Sliding Assy       | 1   |
| 7    | 2061A103 | Assy, 9hp Engine to 16gpm Pump  | 1   |
| 8    | 2061W103 | Weldment, Fender                | 2   |
| 9    | Z12431   | Snapper Pin 3/8 x 2-1/4         | 1   |
| 10   | Z51223   | Reducer, MP x FP 1608           | 1   |
| 11   | Z51331   | Elbow 90 MP x FPX 0808          | 2   |
| 12   | Z52301   | 1/2 Hose MP08 x MP08 x 16"      | 1   |
| 13   | Z52310   | 1/2 Hose, 1/2MP x 1/2MP x 48"   | 1   |
| 14   | Z52305   | 1/2 Hose, MP08 x MP08 x 24"     | 2   |
| 15   | Z52405   | Suction Hose, 1" x 22"          | 1   |
| 16   | Z55303   | Oil Filter - 1" - Particulate   | 1   |
| 17   | Z55304   | Filter Cap, FP16 x FP16         | 1   |
| 18   | Z71530   | Hex Bolt 1/2NC x 3              | 2   |
| 19   | Z71560   | Hex Bolt 1/2NC x 6              | 3   |
| 20   | Z72221   | Hex Lock Nut 5/16NC             | 1   |
| 21   | Z72231   | Hex Lock Nut 3/8NC              | 4   |
| 22   | Z72251   | Hex Lock Nut 1/2NC              | 5   |
| 23   | Z76231   | Carriage Bolt 3/8NC x 1         | 4   |
| 24   | Z79401   | Hose Clamp, #16                 | 2   |
| 25   | Z91202   | Assembly, T000# 4-Bolt Hub      | 2   |
| 26   | Z91302   | 5.30-12 LRB SportTrail 4 Spoked | 2   |
| 27   | Z91614   | 2" Hitch Coupler                | 1   |
| 28   | Z92303   | Safety Chain 1/4 x 2'           | 2   |
| 29   | Z92303-2 | Safety Snap                     | 2   |
| 30   | Z96503   | Manual Tube 3-1/2 Short         | 1   |
| ITEM | PART NO. | DESCRIPTION                     | QTY |
| 40   | 2014S414 | Plate, Sliding Wedge Capture    | 1   |
| 41   | 2058W803 | Wedge, Large Sliding            | 1   |
| 42   | Z71540   | Hex Bolt 1/2NC x 4              | 1   |
| 43   | Z71576   | Hex Bolt 1/2NF x 1-1/2          | 4   |
| 44   | Z72251   | Hex Lock Nut 1/2NC              | 1   |

**2061A103 9hp ENGINE / PUMP ASSEMBLY PARTS**

| ITEM | PART NO. | DESCRIPTION              | QTY |
|------|----------|--------------------------|-----|
| 1    | Z47136   | Honda 9hp Engine         | 1   |
| 2    | Z53802   | Pump Mounting, PM-9      | 1   |
| 3    | Z46404   | Shaft Coupler L095 x 1   | 1   |
| 4    | Z46405   | Coupler Spider L095      | 1   |
| 5    | Z46409   | Shaft Coupler L095 x 1/2 | 1   |
| 6    | Z53205   | Pump, 16gpm Two-Stage    | 1   |
| 7    | Z51331   | Elbow 90 MP x FPX 0808   | 1   |
| 8    | Z71210   | Hex Bolt 5/16NC x 1      | 4   |
| 9    | Z46533   | Key 1/4 x 1/4 x 1        | 1   |
| 10   | Z46592   | Woodruff Key, 1/8 x 1/2  | 1   |
| 11   | Z71274   | Hex Bolt, 5/16NF x 1     | 4   |
| 12   | Z71320   | Hex Bolt 3/8NC x 2       | 4   |
| 13   | Z72231   | Hex Lock Nut 3/8NC       | 4   |

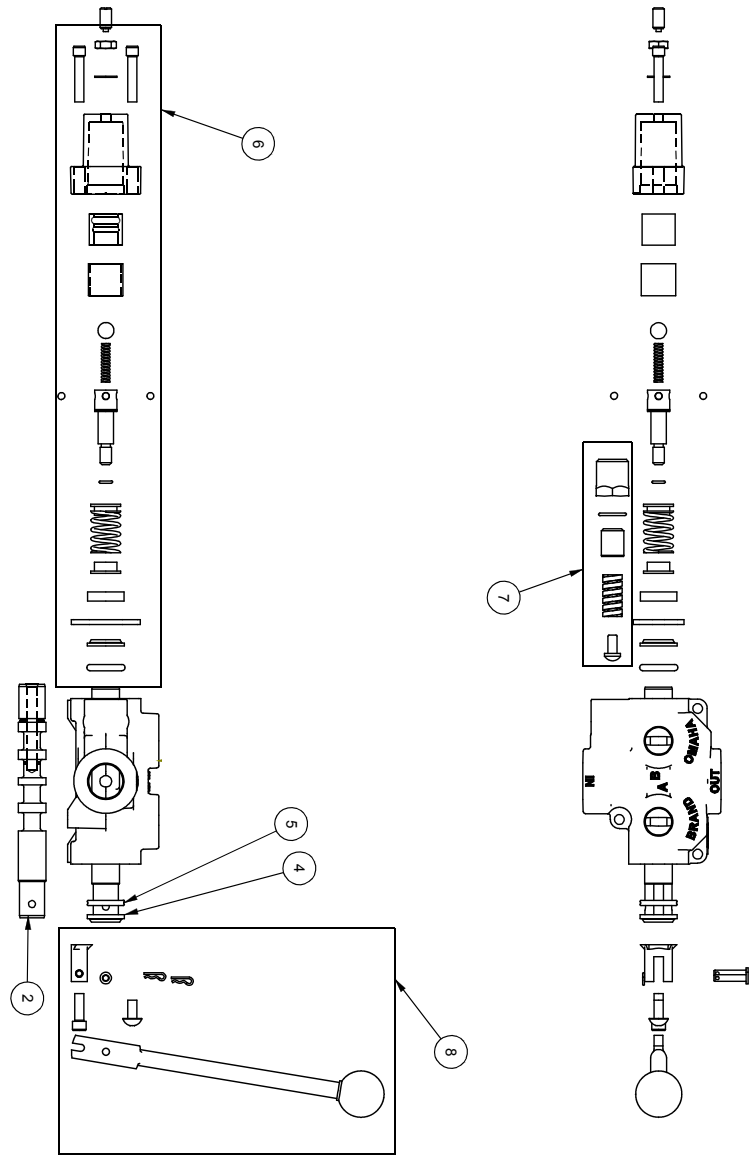




**VALVE AND FITTINGS PARTS BREAKDOWN**

| ITEM | PART NO. | Description                    | QTY. |
|------|----------|--------------------------------|------|
| 1    | Z51331   | Elbow 90 MP x FPX 0808         | 4    |
| 2    | Z56209   | Valve, Single Function Detent  | 1    |
| 3    | *Z56210* | Valve, Closed Center           | *    |
| 4    | Z56915   | Complete Handle Kit for Z56209 | 1    |
| 5    | Z72111   | Hex Lock Nut 1/4NC             | 3    |
| 6    | Z75114   | SHCS, 1/4NC x 1-3/4            | 3    |

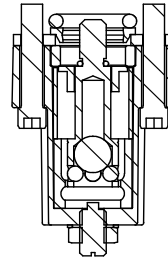
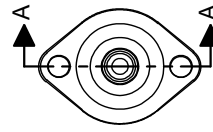
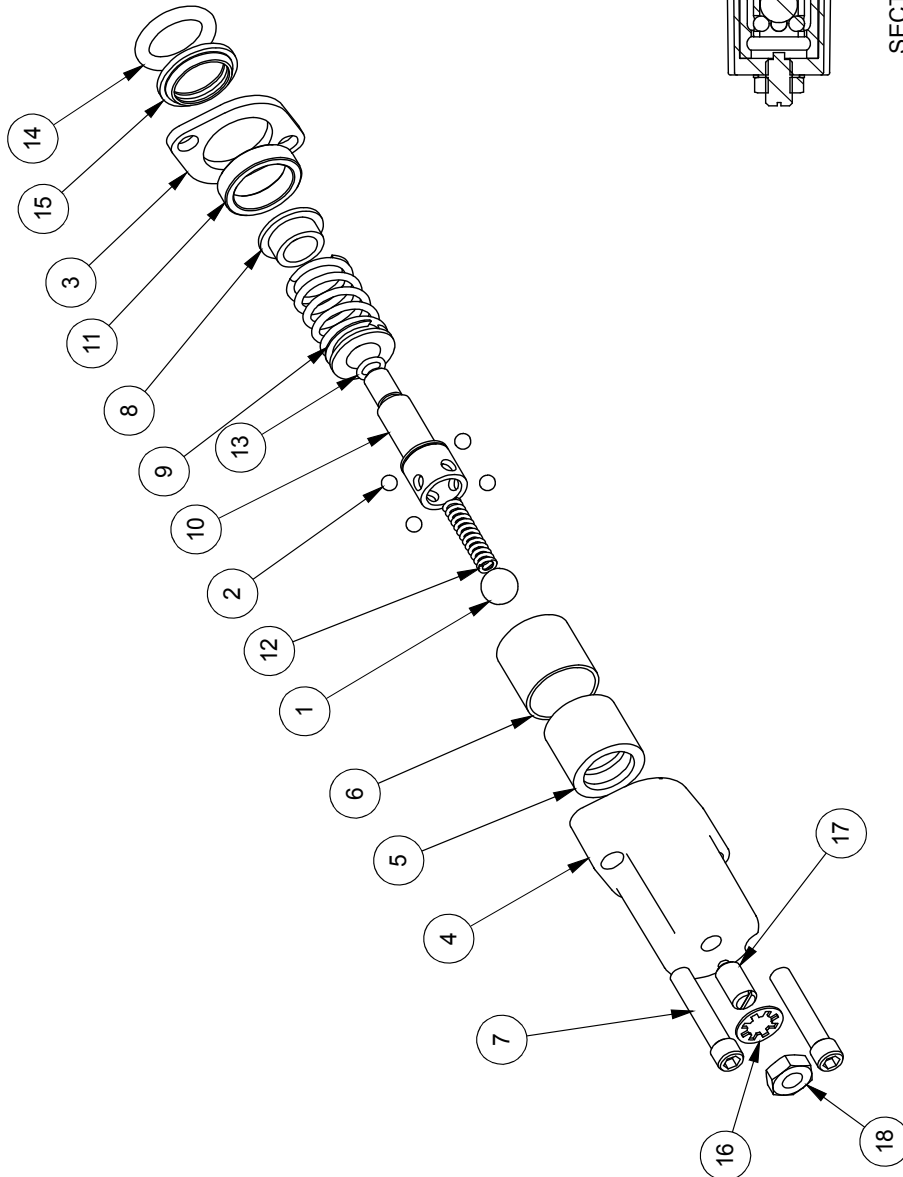
\*CLOSED CENTER VALVE REQUIRED FOR "C" MODELS.\*



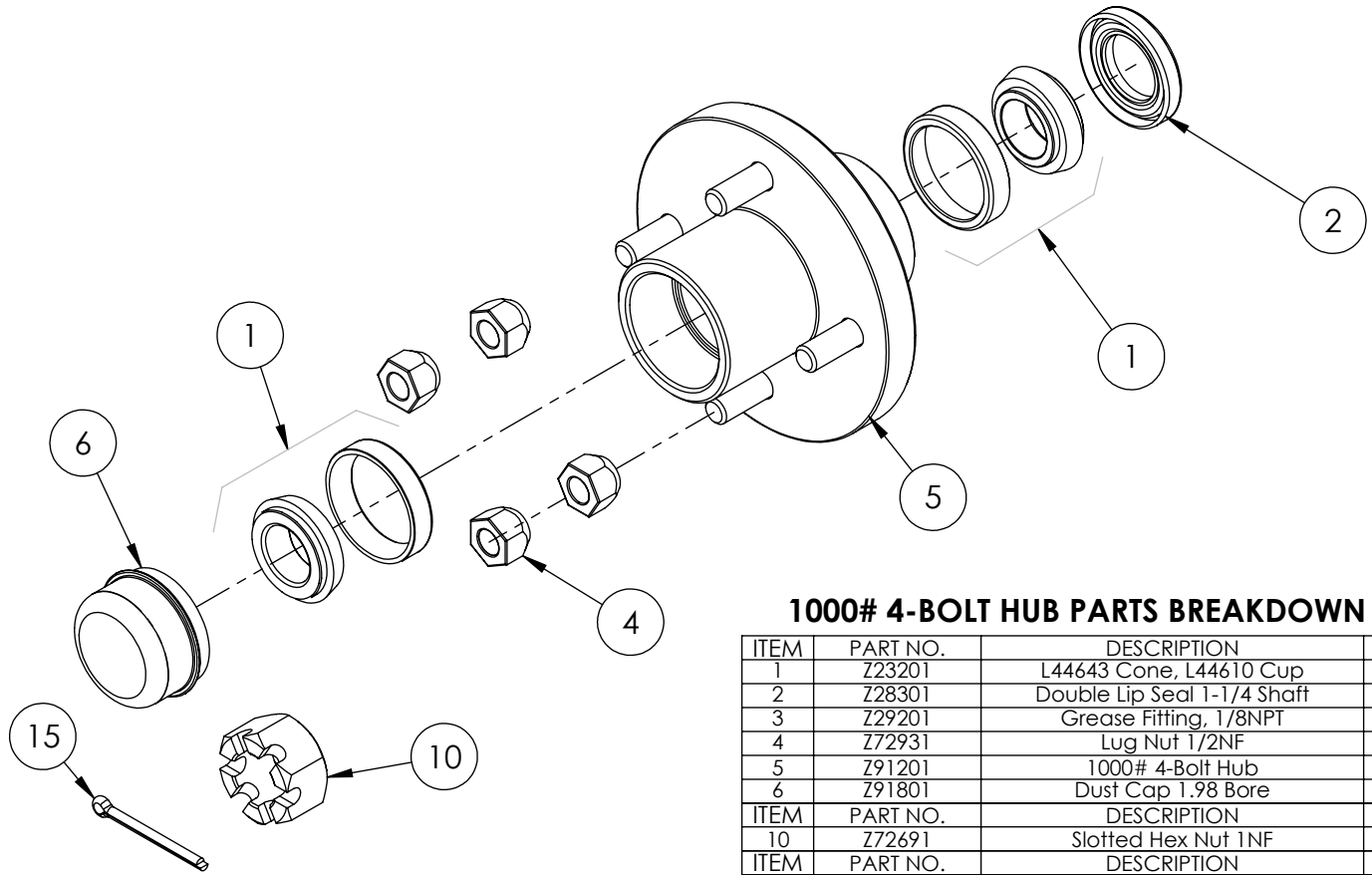
| ITEM NO. | QTY. | PART NO. | DESCRIPTION          |
|----------|------|----------|----------------------|
| 1        | 1    | AOCASTB  | AO CASTING           |
| 2        | 1    | LS304TAJ | SPOOL                |
| 3        | 1    | P1740    | NAME TAG             |
| 4        | 1    | SF305    | WIPER                |
| 5        | 1    | SF304    | QUAD RING            |
| 6        | 1    | SUB-LS   | SUB-LS               |
|          |      | B5057    | 7/16 BALL            |
|          |      | DC7604   | 3/16 BALL            |
|          |      | SF306    | RETAINER             |
|          |      | SF477L   | SH LS ENDCAP         |
|          |      | XDC672   | LS SLEEVE            |
|          |      | SF483    | SPACER               |
|          |      | SF486    | ALLEN SCREW          |
|          |      | SF489    | CENTER STOP          |
|          |      | SF490    | CENTERING SPRING     |
|          |      | SF492    | HOUSING              |
|          |      | SF315    | SPACER               |
|          |      | LS305    | DETENT SPRING        |
|          |      | DC7583   | O-RING-3-902         |
|          |      | SF496    | O-RING, BLUE, METRIC |
|          |      | LS306    | LS WIPER             |
|          |      | SF502    | 5/16 LOCK WASHER     |
|          |      | SF503    | PLUNGER, SPRING      |
|          |      | SF504    | 5/16 HEX JAM NUT     |
|          |      | SUB-R    | RELIEF               |
|          |      | P1603    | CAP NUT              |
|          |      | SF322    | O-RING 2-016         |
|          |      | SF364A   | ADJ. SCREW           |
|          |      | B505     | SPRING               |
|          |      | SF361A   | POPPET               |
|          |      | Z56915   | HANDLE KIT           |
|          |      | SF377    | RETAINER             |
|          |      | SF376    | SEAL RETAINER        |
|          |      | SF367A   | CLEVIS               |
|          |      | SF368    | HANDLE               |
|          |      | SF369    | PIN                  |
|          |      | P1767    | PIN CLIP             |
|          |      | HR5      | MACH. SCREW          |
|          |      | SF311    | KNOB                 |
|          |      | SF308    | CAP SCREW            |
|          |      | SF303TAJ | SPOOL                |
|          |      | P1654    | WARNING TAG          |



| ITEM NO. | QTY. | PART NO. | DESCRIPTION      |
|----------|------|----------|------------------|
| 1        | 1    | B5057    | 7/16 BALL        |
| 2        | 4    | DC7604   | 3/16 BALL        |
| 3        | 1    | SF306    | RETAINER         |
| 4        | 1    | SF477L   | SH LS ENDCAP     |
| 5        | 1    | SF480    | SD SLEEVE        |
| 6        | 1    | SF483    | SPACER           |
| 7        | 2    | SF486    | ALLEN SCREW      |
| 8        | 2    | SF489    | CENTER STOP      |
| 9        | 1    | SF490    | CENTERING SPRING |
| 10       | 1    | SF492    | HOUSING          |
| 11       | 1    | SF315    | SPACER           |
| 12       | 1    | LS305    | DETENT SPRING    |
| 13       | 1    | DC7583   | O-RING 3-902     |
| 14       | 1    | SF496    | METRIC O-RING    |
| 15       | 1    | LS306    | LS WIPER         |
| 16       | 1    | SF502    | 5/16 LOCK WASHER |
| 17       | 1    | SF503    | SPRING PLUNGER   |
| 18       | 1    | SF504    | 5/16 HEX JAM NUT |

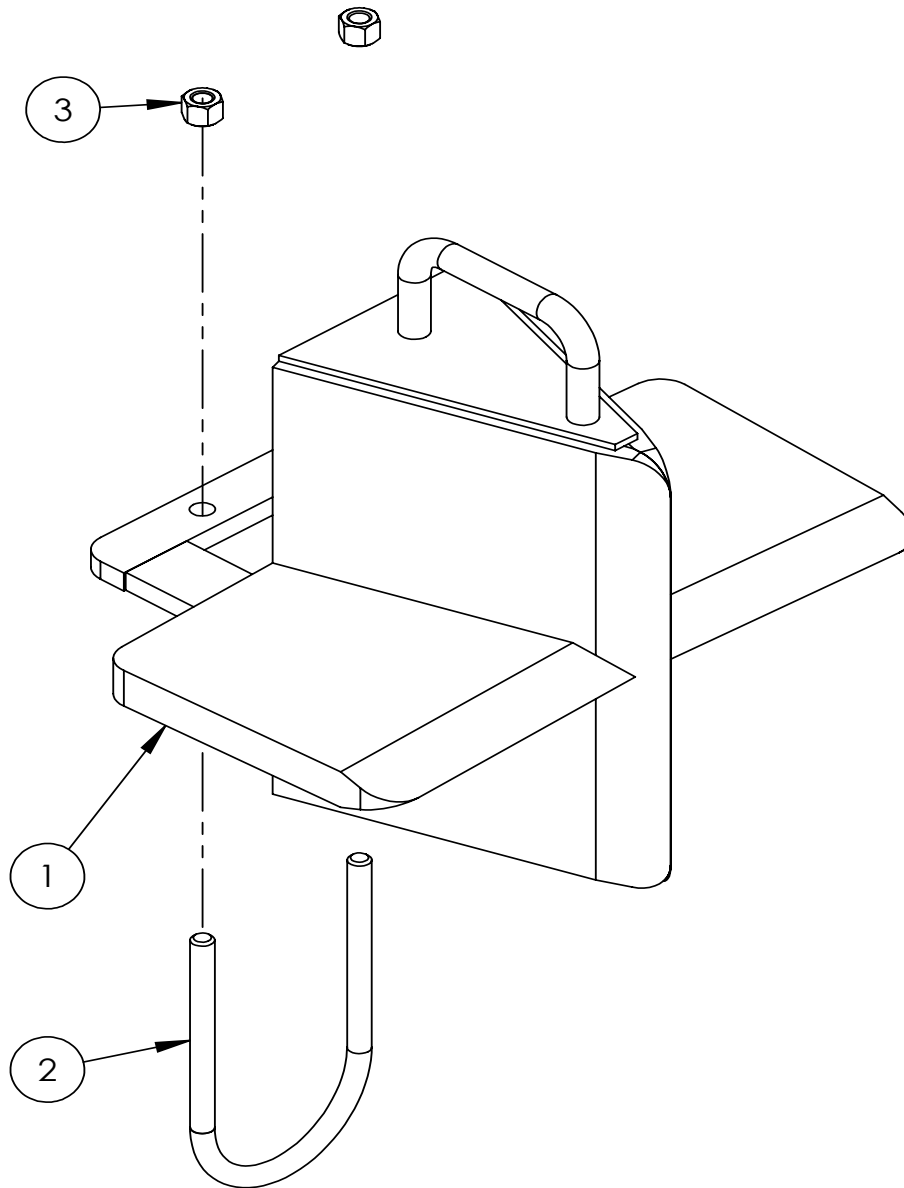


SECTION A-A



**1000# 4-BOLT HUB PARTS BREAKDOWN**

| ITEM | PART NO. | DESCRIPTION                 | QTY |
|------|----------|-----------------------------|-----|
| 1    | Z23201   | L44643 Cone, L44610 Cup     | 2   |
| 2    | Z28301   | Double Lip Seal 1-1/4 Shaft | 1   |
| 3    | Z29201   | Grease Fitting, 1/8NPT      | 1   |
| 4    | Z72931   | Lug Nut 1/2NF               | 4   |
| 5    | Z91201   | 1000# 4-Bolt Hub            | 1   |
| 6    | Z91801   | Dust Cap 1.98 Bore          | 1   |
| ITEM | PART NO. | DESCRIPTION                 | QTY |
| 10   | Z72691   | Slotted Hex Nut 1NF         | 1   |
| ITEM | PART NO. | DESCRIPTION                 | QTY |
| 15   | Z12322   | Cotter Pin 3/16 X 2         | 1   |



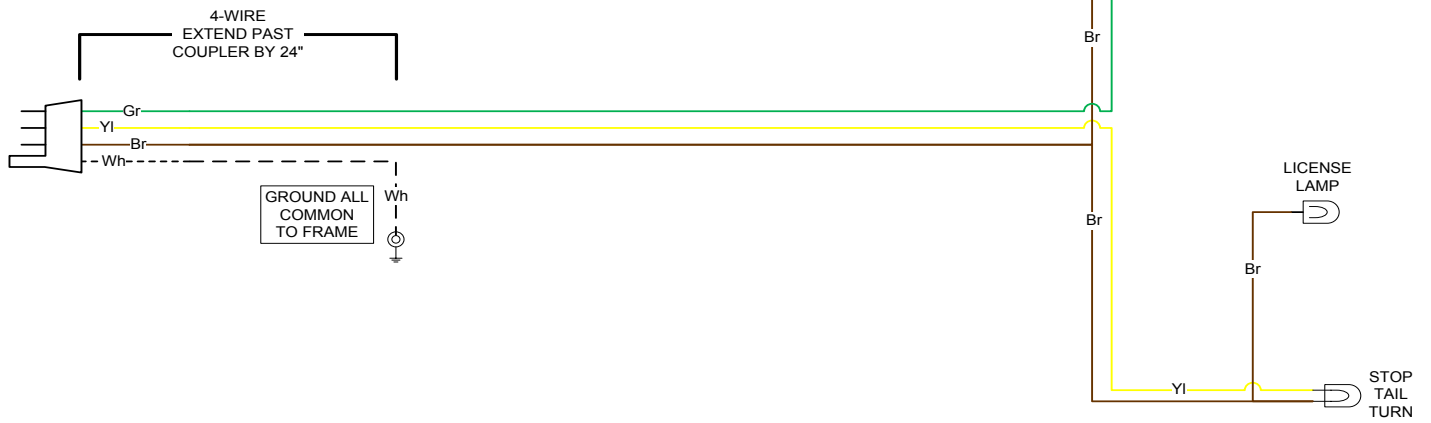
## W4130 4-Way Wedge (Optional)

| ITEM | PART NO. | DESCRIPTION          | QTY |
|------|----------|----------------------|-----|
| 1    | 2082W301 | Weldment, Main 4-Way | 1   |
| 2    | 2082S307 | U-Bolt, 3 x 4        | 1   |
| 3    | Z72231   | Hex Lock Nut 3/8NC   | 2   |

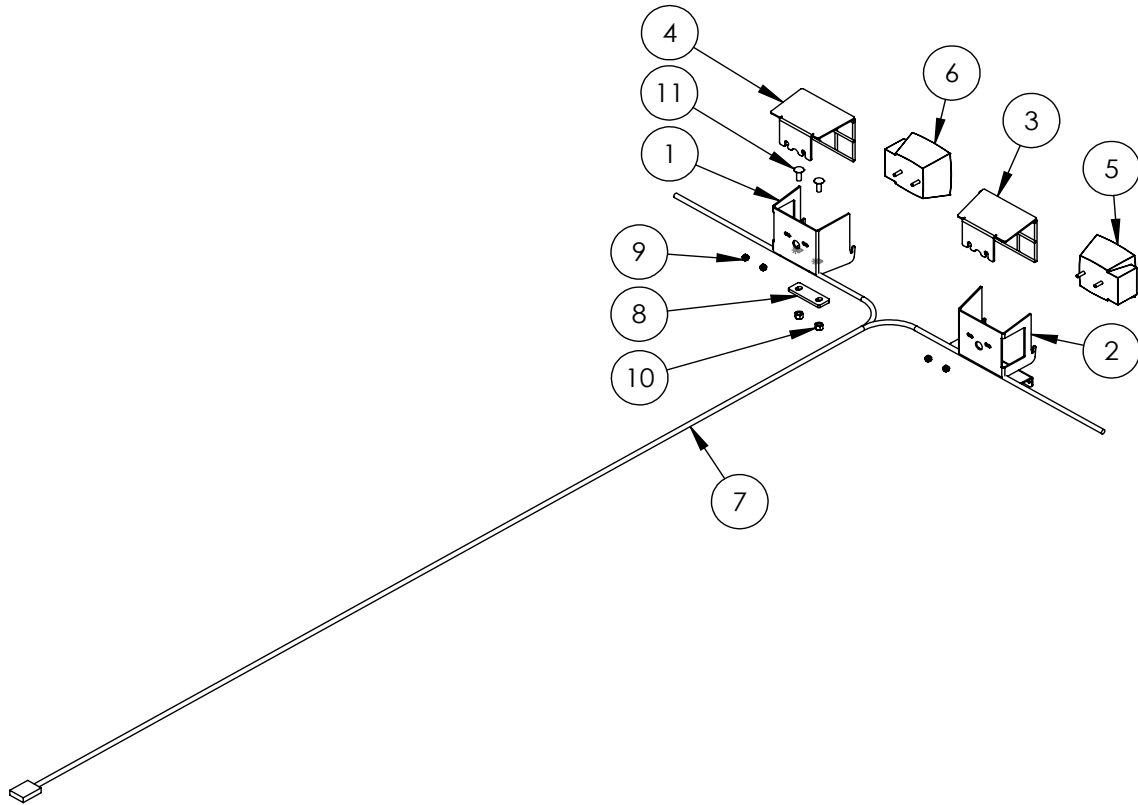
# WX TRAILER SPLITTER WIRING

## RIGHT SIDE

| KEY |        |
|-----|--------|
| Bl  | BLUE   |
| Br  | BROWN  |
| Gr  | GREEN  |
| Rd  | RED    |
| Yl  | YELLOW |
| Bk  | BLACK  |
| Wh  | WHITE  |



## LEFT SIDE

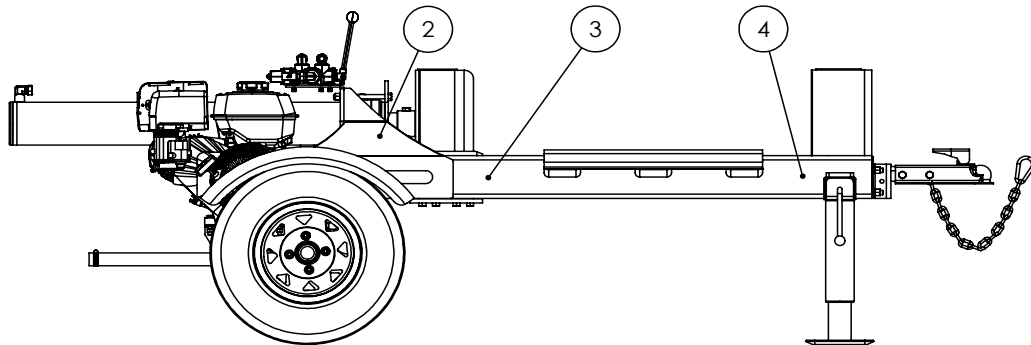
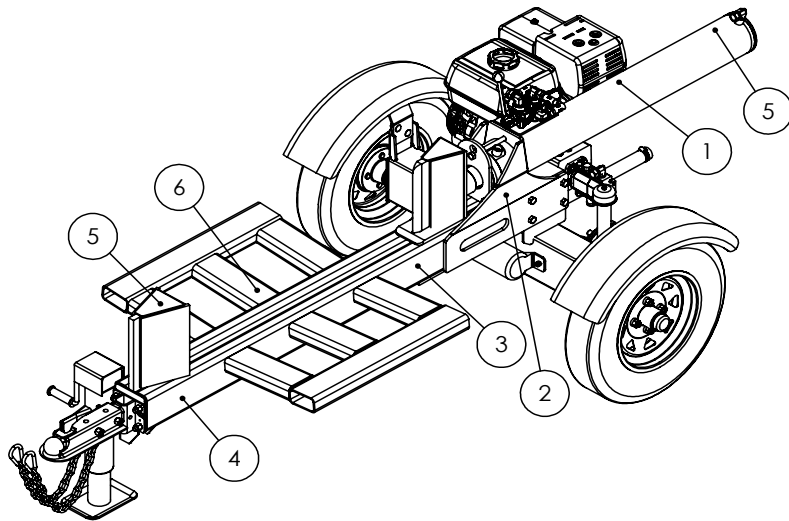


### 2089A350 LIGHT KIT (Optional)

| ITEM | PART NO. | DESCRIPTION                  | QTY |
|------|----------|------------------------------|-----|
| 1    | 2054L601 | Light Bracket, RH            | 1   |
| 2    | 2054L402 | Light Bracket, LH            | 1   |
| 3    | 2054W404 | Light Guard, LH              | 1   |
| 4    | 2054W403 | Light Guard, RH              | 1   |
| 5    | Z61106   | Stop, Turn, Tail Light LH    | 1   |
| 6    | Z61107   | Stop, Turn, Tail Light RH    | 1   |
| 7    | Z62102   | 10' Wishbone Trailer Harness | 1   |
| 8    | 2054L622 | Bracket, Light Base          | 1   |
| 9    | Z72941   | Serrated Washer Nut 1/4NC    | 4   |
| 10   | Z72231   | Hex Lock Nut 3/8NC           | 2   |
| 11   | Z76231   | Carriage Bolt 3/8NC x 1      | 2   |

## HORIZONTAL LOG SPLITTER DECAL BREAKDOWN

| ITEM | PART NO. | DESCRIPTION            | QTY |
|------|----------|------------------------|-----|
| 1    | Z94039   | CAUTION - Read Manual  | 1   |
| 2    | Z94040   | WARNING - Moving Wedge | 2   |
| 3    | Z94067   | Clear Guide            | 2   |
| 4    | Z94056   | Wallenstein            | 2   |
| 5    | Z94019   | Made in Canada         | 2   |
| 6    | Z94066   | Apply Oil or Grease    | 1   |



# Trailer Splitter Decals

Z94056



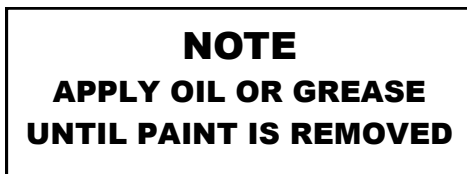
Z94067



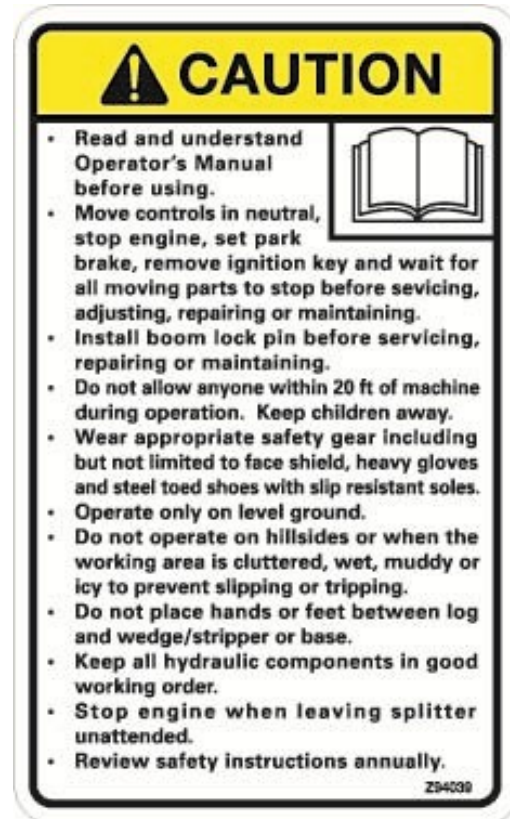
Z94019



Z94066



Z94039



Z94040





**WALLENSTEIN Products Manufactured by:**

**EMB MFG Inc.**

4144 Boomer Line  
St. Clements, Ontario  
Canada N0B 2M0  
Phone: 1-877-695-9283  
Fax: 519-699-4146  
[www.embmfg.com](http://www.embmfg.com)