



WX530 Trailer Log Splitter Parts Manual

Prior to S/N 253048 (WX530)

Prior to S/N 2E9US11198S015003 (WX530-L)



Foreword

EMB Mfg. has prepared this parts manual to assist customers in ordering quality OEM replacement parts.

Proper and regular service and replacing old, worn or broken parts with the correct Wallenstein parts are essential to prolonging the life of your Wallenstein product. Please refer to this manual before ordering any replacement parts.

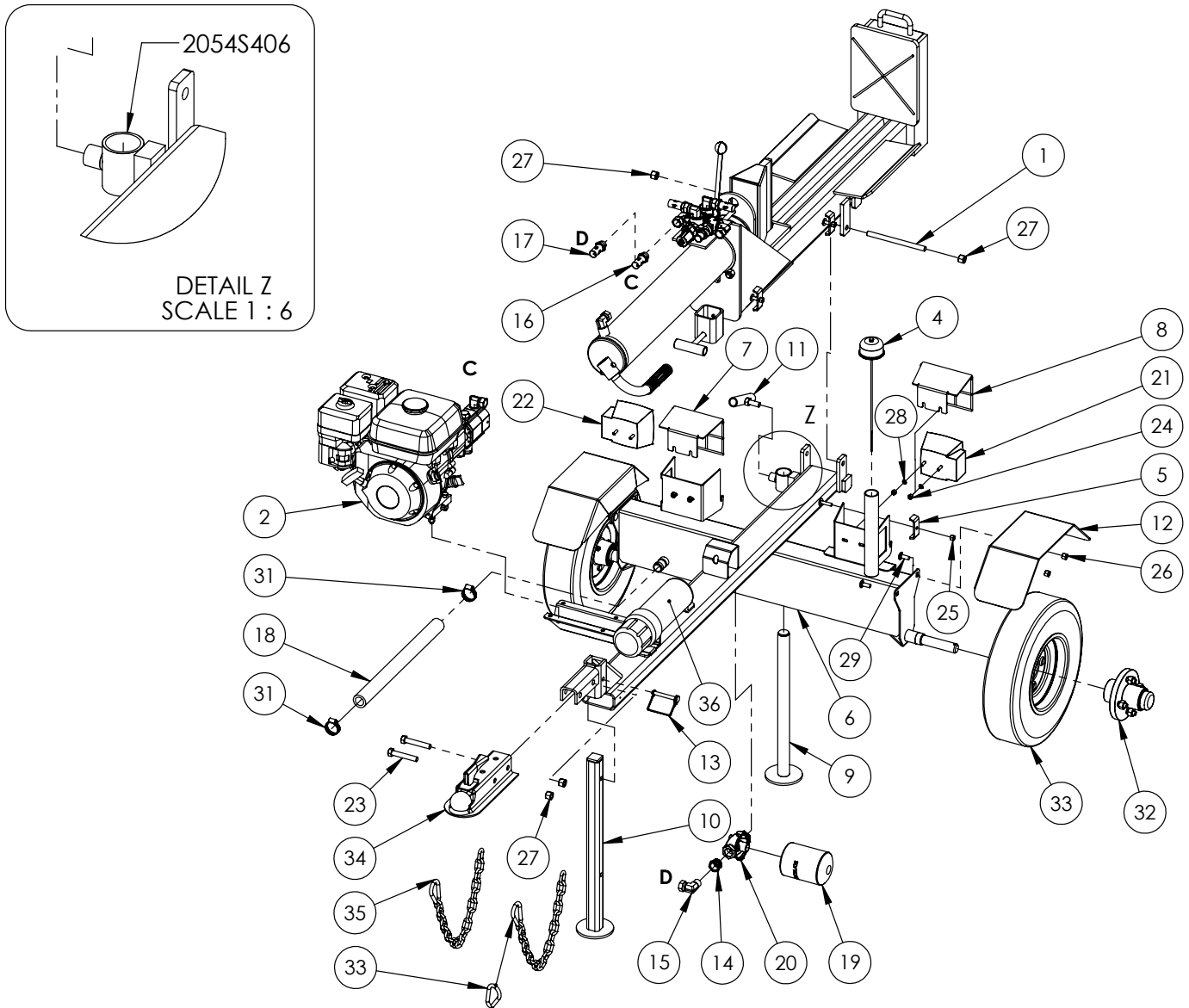
All information contained in this parts manual is based on the latest product specification available at the time of printing this manual. If your product differs from the specifications contained within this manual contact EMB Mfg. for information.

EMB reserves the right to alter specifications on their products at any time.

Reproduction of this parts manual of any kind is prohibited without prior written permission from EMB Mfg.

Table of Contents

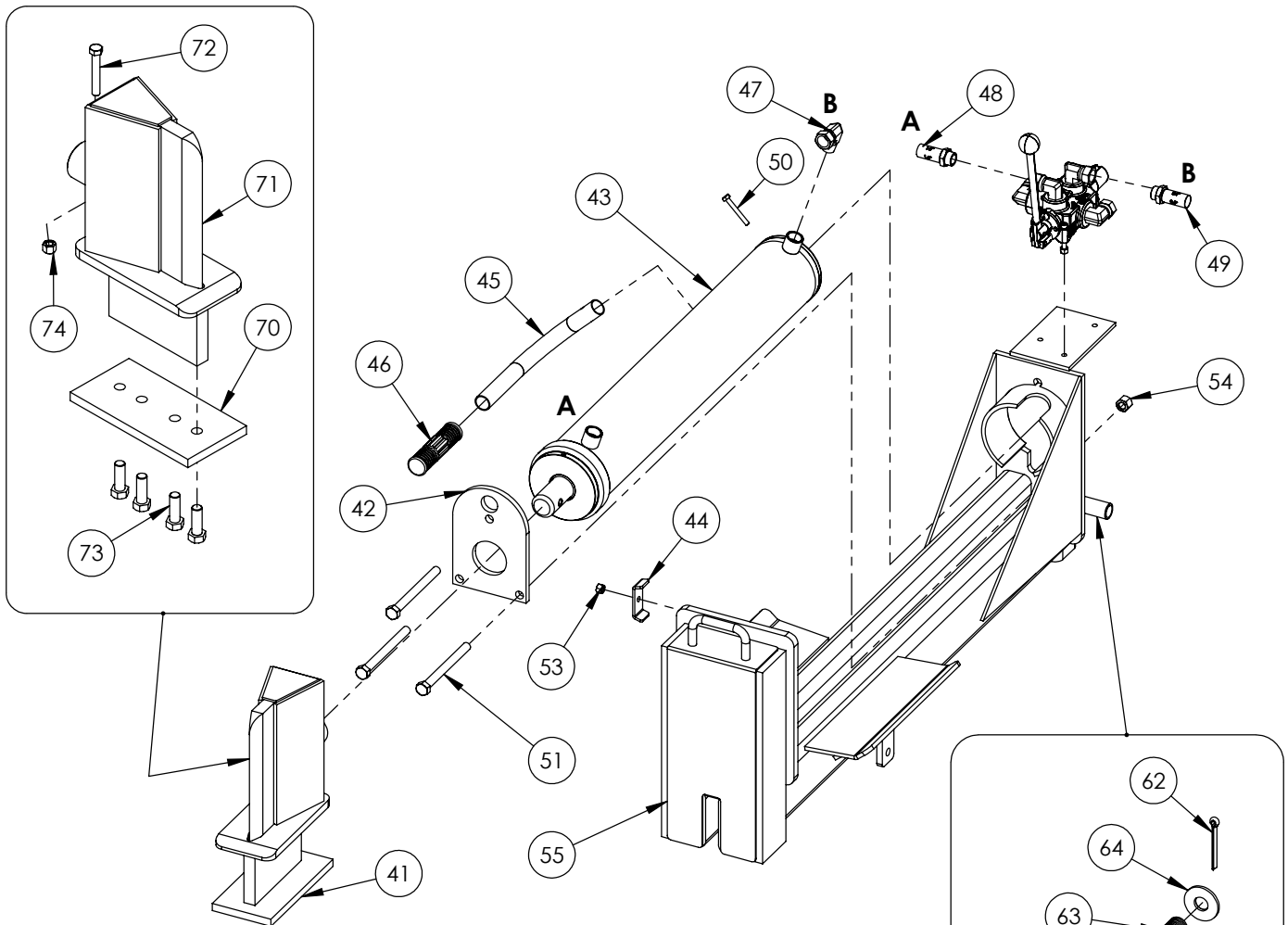
Main Parts	4
Valve & Fittings	6
Valve	7
Cylinder	8
Hub	9
Engine & Pump	10
4-Way Wedge (Optional)	11
Light Kit (Optional)	12
Decal Breakdown	14



WX530 PARTS BREAKDOWN

ITEM	PART NO.	DESCRIPTION	QTY
1	2016M602	Pin, Pivot Threaded	1
2**	2051A104**	Assembly, GC 5hp Engine to 11gpm Pump	1
3	2054A401	Assembly, Splitter Base	1
4	2054A402	Breather cap dipstick	1
5	2054L412	Clamp, Two Hose	1
6*	2054W401	Weldment, Main Base	1
7	2054W403	Light Guard, RH	1
8	2054W404	Light Guard, LH	1
9	2054W405	Jack Stand, Rear	1
10	2054W406	Jack Stand, Front	1
11	2054W407	Handle, Rear Jack Lock	1
12*	2054W408	Weldment, Fender	2
13	Z12431	Snapper Pin 3/8 x 2-1/4	1
14	Z51221	Reducer FP x MP 1208	1
15	Z51331	Elbow 90 MP x FPX 0808	1
16	Z52309	1/2 Hose, 1/2MPx1/2MPx 70"	1
17	Z52311	1/2 Hose, 1/2MPx1/2MPx 75"	1
18	Z52404	Suction Hose, 1" x 18"	1
19	Z55301	Oil Filter - 3/4 - Particulate	1
20	Z55302	Filter Cap, 3/4 x 3/4	1
21	Z61106	Stop, Turn, Tail Light LH	1
22	Z61107	Stop, Turn, Tail Light RH	1
23	Z71530	Hex Bolt 1/2NC x 3	2
24	Z72111	Hex Lock Nut 1/4NC	4

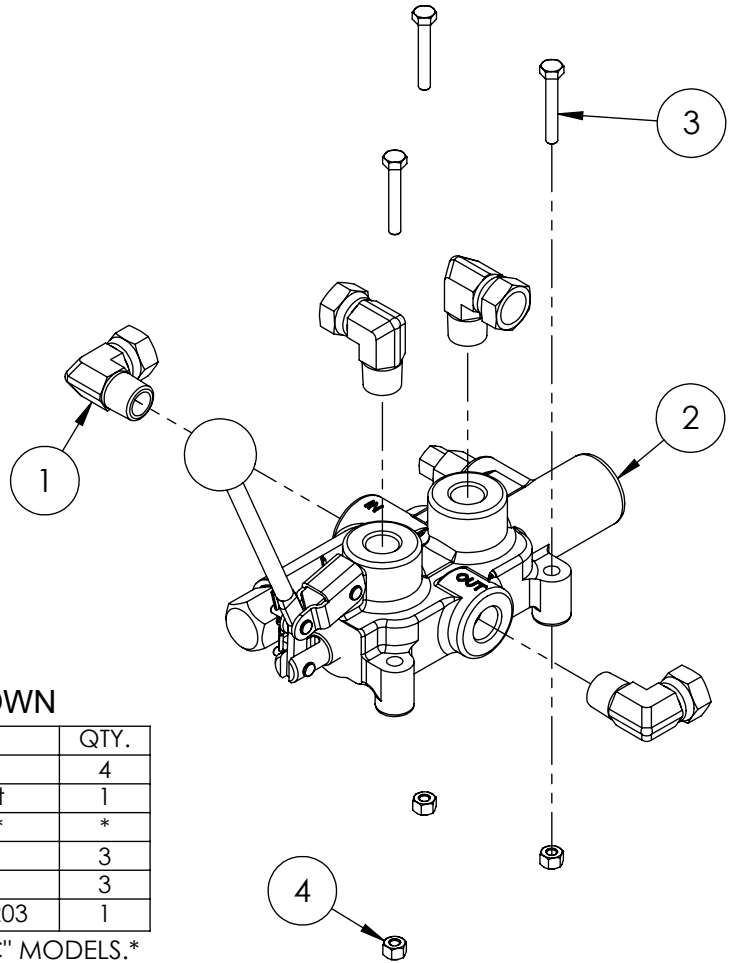
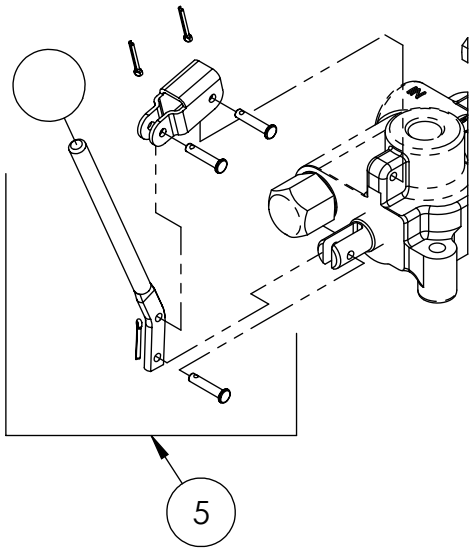
ITEM	PART NO.	DESCRIPTION	QTY
25	Z72221	Hex Lock Nut 5/16NC	1
26*	Z72231	Hex Lock Nut 3/8NC	4
27	Z72251	Hex Lock Nut 1/2NC	4
28	Z73431	Tooth Washer, 1/4	4
29*	Z76231	Carriage Bolt 3/8NC x 1	4
30	Z76712	Self-tapping Screw #10	1
31	Z79401	Hose Clamp, #16	2
32	Z91202	Assembly, 1000# 4-Bolt Hub	2
33	Z91301	4.80-8 LRB SportTrail	2
34	Z91614	2" Hitch Coupler	1
35	Z92303	Safety Chain 1/4 x 2'	2
36	Z96503	Manual Tube 3-1/2 Short	1



WX530 SPLITTER BASE PARTS BREAKDOWN

ITEM	PART NO.	DESCRIPTION	QTY
40	2011A103	Assembly, Valve with Fittings	1
41	2014A401	Assembly, Wide Sliding Wedge	1
42	2014S421	Plate, Cylinder Retaining (Bolt)	1
43	2054C401	Cylinder, 4 x 24 x 1-1/2	1
44	2054L412	Clamp, Two Hose	2
45	2054S414	Handle, Lift	1
46	Z19321	Grip, 1" x 5"	1
47	Z51331	Elbow 90 MP x FPX 0808	1
48	Z52301	1/2 Hose MP08 x MP08 x 16"	1
49	Z52305	1/2 Hose, MP08 x MP08 x 24"	1
50	Z71120	Hex Bolt 1/4NC x 2	1
51	Z71555	Hex Bolt 1/2NC x 5-1/2	3
52	Z72111	Hex Lock Nut 1/4NC	1
53	Z72221	Hex Lock Nut 5/16NC	2
54	Z72251	Hex Lock Nut 1/2NC	3
55	2054W409	Weldment, H/V Rotating Base	1
ITEM	PART NO.	DESCRIPTION	QTY
60	2016S604	Housing, Latch Spring	1
61	2016W603	Handle, Spring Latch	1
62	Z12321	Cotter Pin 3/16 X 2-1/2	1
63	Z32301	Spring 19mm x 79mm Med	1
64	Z73250	Wide Flat Washer, 1/2	1
ITEM	PART NO.	DESCRIPTION	QTY
70	2014S414	Plate, Sliding Wedge Capture	1
71	2014W402	Weldment, Sliding Wedge	1
72	Z71325	Hex Bolt 3/8NC x 2-1/2	1
73	Z71576	Hex Bolt 1/2NF x 1-1/2	4
74	Z72231	Hex Lock Nut 3/8NC	1

2016A602 LATCH KIT
(WELDED ON)

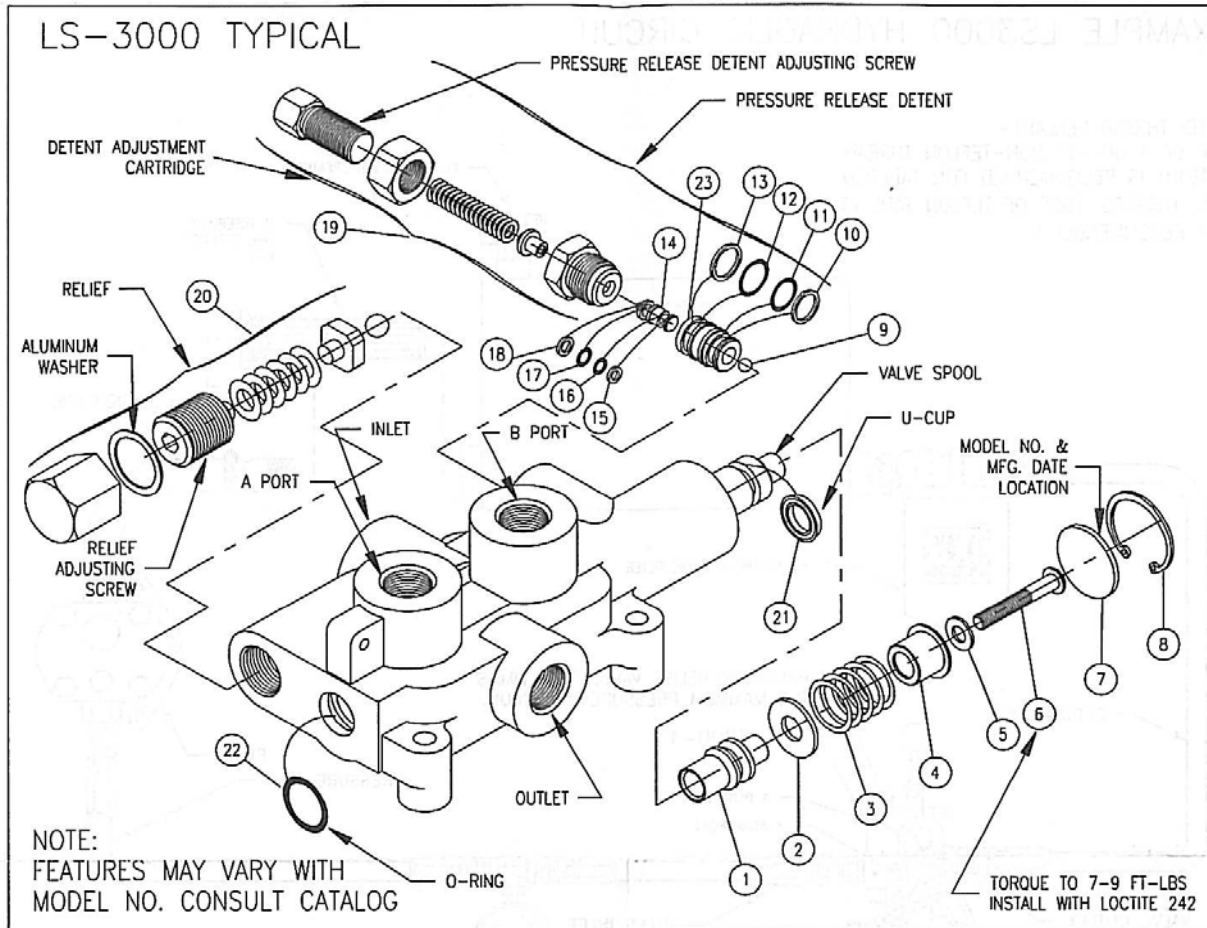


VALVE AND FITTINGS PARTS BREAKDOWN

ITEM	PART NO.	Description	QTY.
1	Z51331	Elbow 90 MP x FPX 0808	4
2	Z56203	Ctrl Valve, Single w/ Detent	1
	Z56208	*Ctrl Valve, Closed Center*	*
3	Z71117	Hex Bolt, 1/4NC x 1-3/4	3
4	Z72111	Hex Lock Nut 1/4NC	3
5	660130001	Complete Handle Kit for Z56203	1

CLOSED CENTER VALVE REQUIRED FOR "C" MODELS.

Z56203 Valve Breakdown



PLEASE NOTE:
BEFORE REMOVING VALVE SPOOL OR SPOOL SLEEVE REMOVE DETENT ADJUSTING CART., DETENT PISTON AND STEEL BALL. INSTALL SPOOL AND SPOOL SLEEVE BEFORE REINSTALLING STEEL BALL.

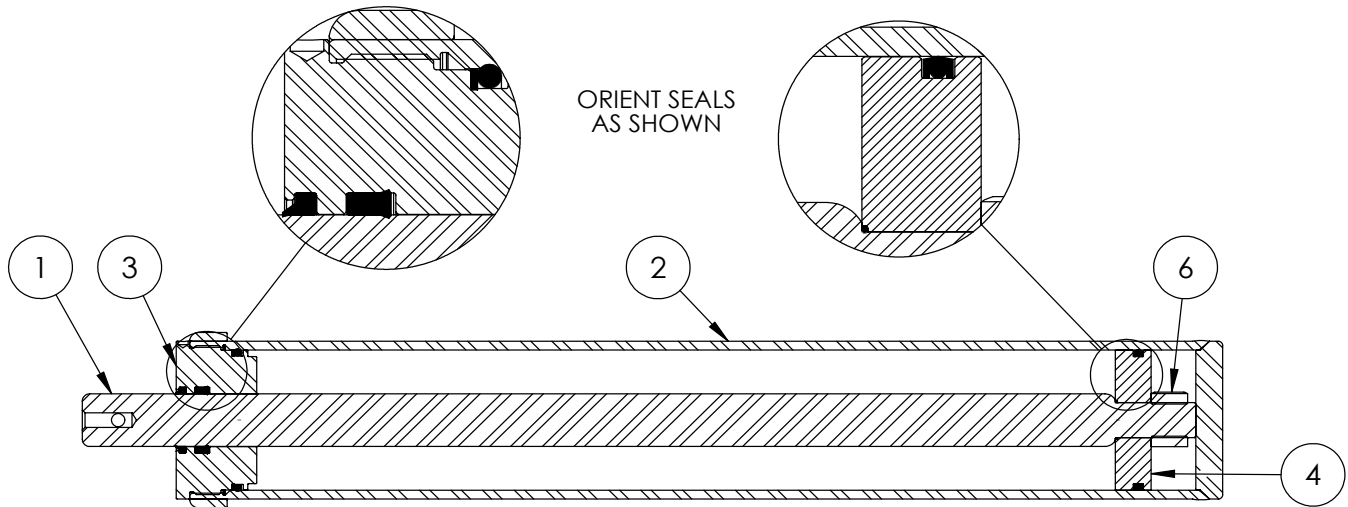
PRESSURE RELEASE DETENT
This feature provides a pressure release detent for the spool 'out' (handle in) position. When the spool is manually placed in the 'detent' position oil is directed to the 'B' work port (the port away from the handle). When the pressure in the 'B' port reaches a preset level the detent will release and the spool will center. The factory setting is 1400 psi. The detent release pressure is adjustable by loosening the jam nut and turning the adjusting screw. Turning the adjusting screw clockwise will increase the detent release pressure and counterclockwise will decrease the detent release pressure. NOTE: if the detent release pressure is set too high the spool will not center, if the pressure is too low the detent will not hold. If cap screw item 6 becomes loose detent will not function properly.

RELIEF VALVE
An adjustable ball spring relief valve is standard on all LS-3000 valves. The standard factory setting is 2250 psi @ 3 gpm and 120°F. Other settings can be specified. The relief pressure is adjusted by removing acorn nut, and turning the adjusting screw. Turning the adjusting screw clockwise will increase the pressure and counterclockwise will decrease the pressure (a pressure gauge must be installed in the inlet line whenever the relief pressure is adjusted). Do not backout adjusting screw to the point it falls out.

⚠ WARNING: OVERPRESSURE MAY CAUSE SUDDEN AND UNEXPECTED FAILURE OF A COMPONENT IN THE HYDRAULIC SYSTEM RESULTING IN SERIOUS PERSONAL INJURY. ALWAYS USE A GAUGE WHEN ADJUSTING A RELIEF VALVE.

LS-3000 KITS AND CARTRIDGES

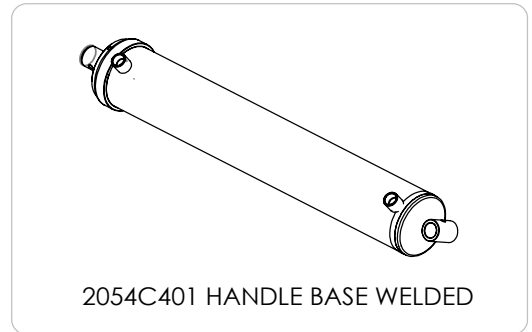
ITEM	QTY	PART NO.	DESCRIPTION
1	1		DETENT SLEEVE
2	1		WASHER
3	1		SPRING
4	1		STOP CUP
5	1		WASHER
6	1		CAP SCREW
7	1		SPACER
8	1		SNAP RING
9	1		STEEL BALL
10	1		BACK-UP WASHER
11	1		O-RING
12	1		O-RING
13	1		BACK-UP WASHER
14	1		PISTON
15	1		BACK-UP WASHER
16	1		O-RING
17	1		O-RING
18	1		BACK-UP WASHER
19	1		DETENT ADJUSTING CART.
20	1		RELIEF KIT
21	1		U-CUP
22	1		O-RING
23	1		PISTON SLEEVE
		660530001	LS-3000 SEAL KIT
		660125004	RELIEF KIT
		660330002	DETENT ADJUSTING CART.
		660130007	PRESSURE RELEASE DETENT KIT
		660130001	COMPLETE HANDLE KIT

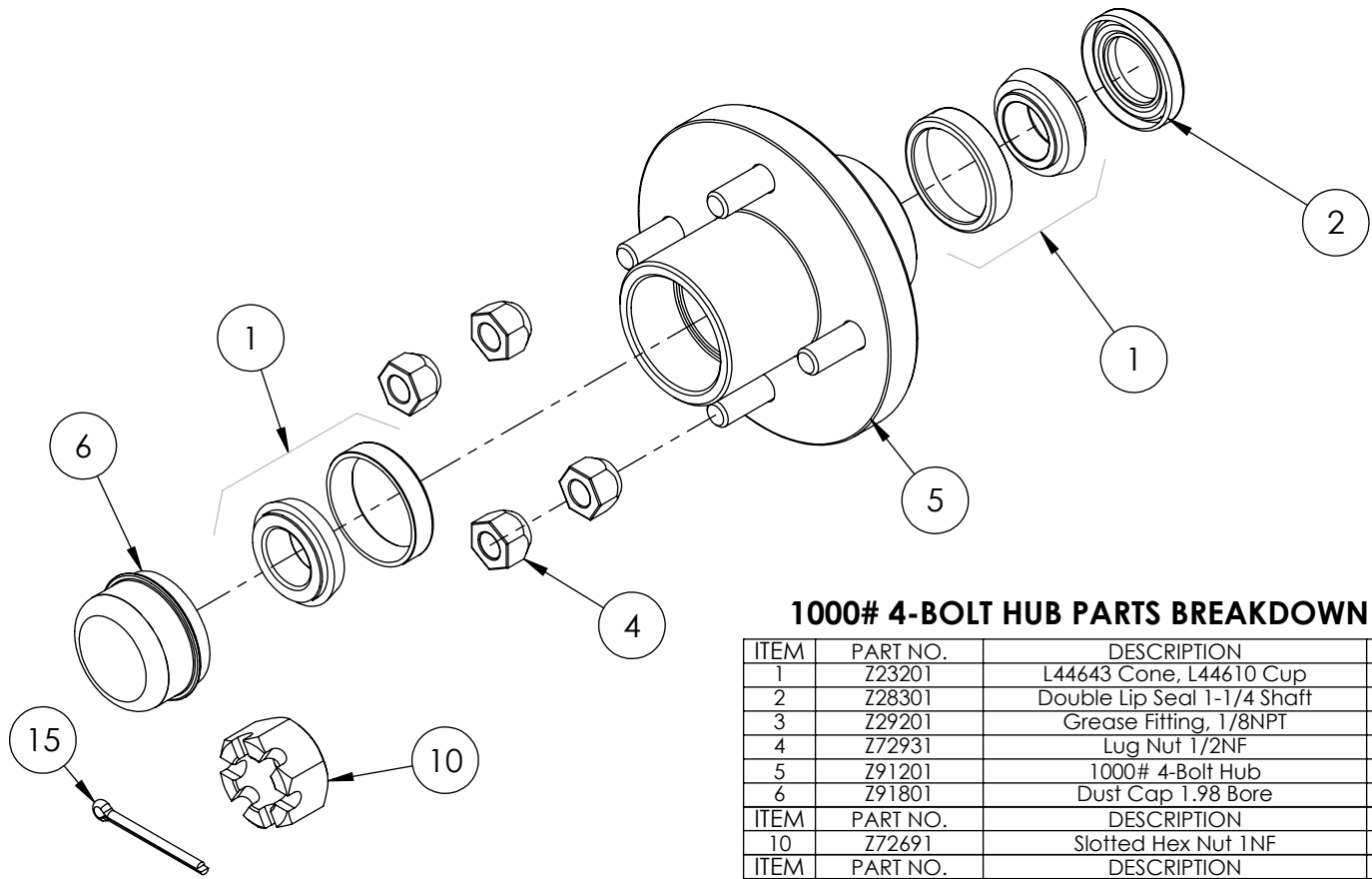


4" x 24" STROKE CYLINDER PARTS

ITEM	PART NO.	Description	QTY.
1	2011C1012	Rod, 1-1/2 x 1	1
2	2011C1014	Barrel, 4"	1
	2054C1015	*Barrel, 4" with Handle Base*	*
3	G400-150SA	4" Bore x 1-1/2" Rod Gland	1
4	P100-400SA	4" Bore Piston	1
5	SLK-4015	Seal Kit, 4 x 1-1/2	1
6	Z72292G8	Hex Lock Nut 1NF Grade 8	1

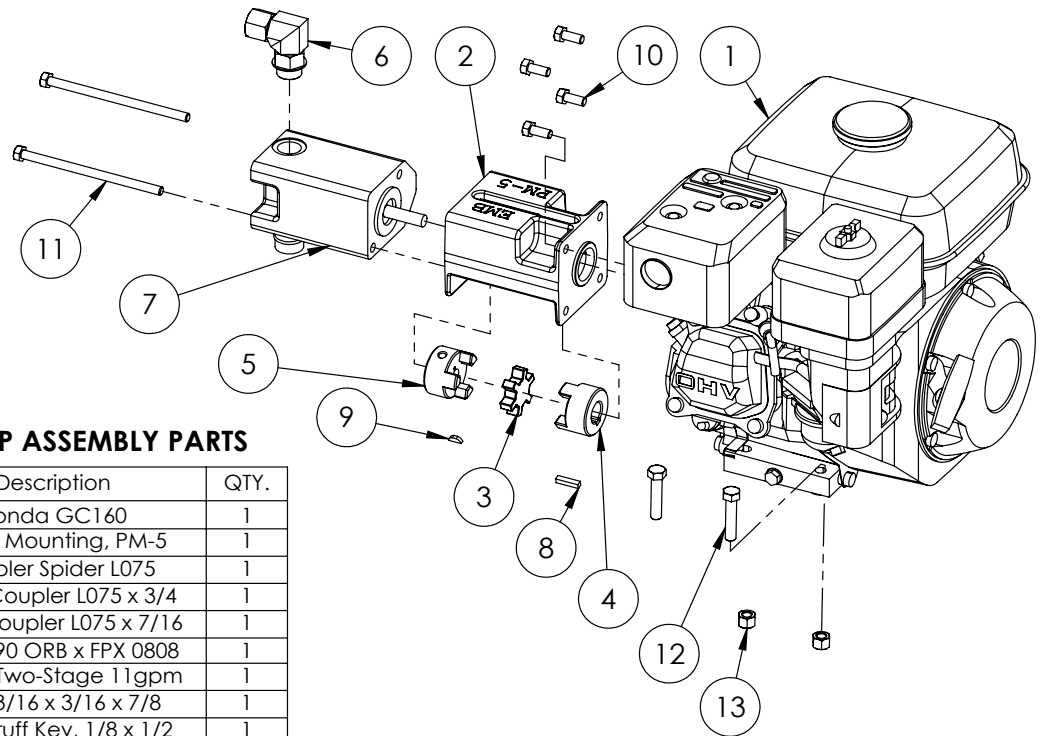
REQUIRED FOR HORIZONTAL / VERTICAL MODELS WITH HANDLE





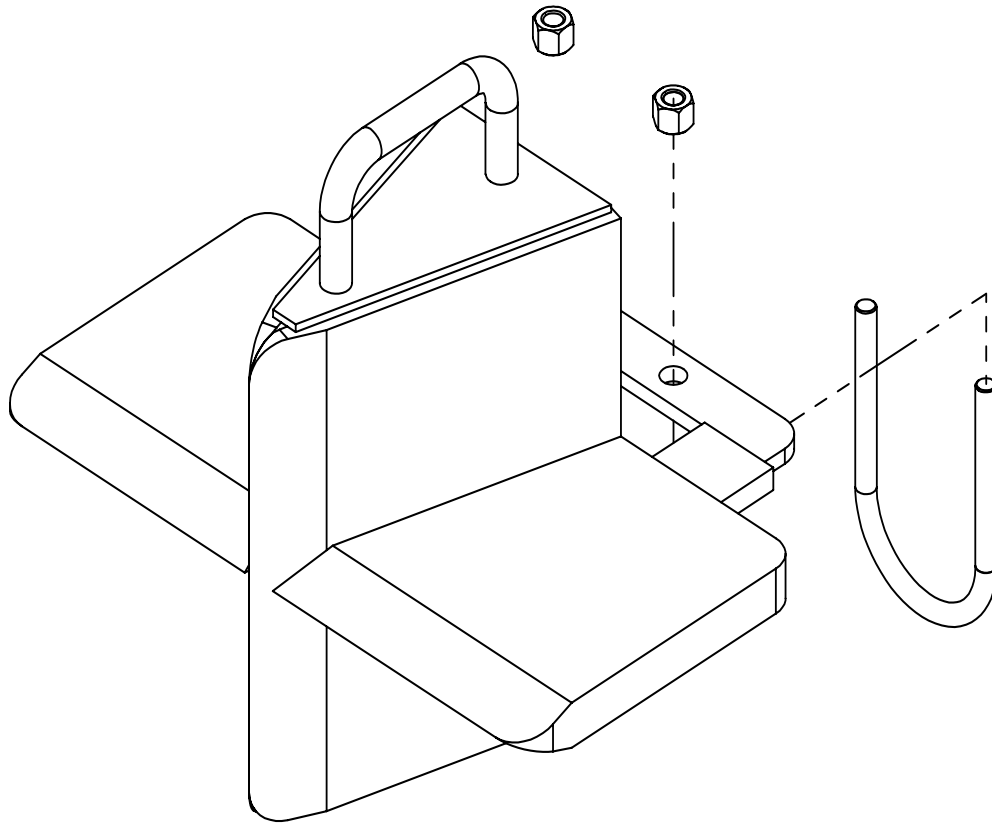
1000# 4-BOLT HUB PARTS BREAKDOWN

ITEM	PART NO.	DESCRIPTION	QTY
1	Z23201	L44643 Cone, L44610 Cup	2
2	Z28301	Double Lip Seal 1-1/4 Shaft	1
3	Z29201	Grease Fitting, 1/8NPT	1
4	Z72931	Lug Nut 1/2NF	4
5	Z91201	1000# 4-Bolt Hub	1
6	Z91801	Dust Cap 1.98 Bore	1
ITEM	PART NO.	DESCRIPTION	QTY
10	Z72691	Slotted Hex Nut 1NF	1
ITEM	PART NO.	DESCRIPTION	QTY
15	Z12322	Cotter Pin 3/16 X 2	1



5hp ENGINE / PUMP ASSEMBLY PARTS

ITEM	2051A103	Description	QTY.
1	Z47306	Honda GC160	1
2	Z53801	Pump Mounting, PM-5	1
3	Z46408	Coupler Spider L075	1
4	Z46406	Shaft Coupler L075 x 3/4	1
5	Z46407	Shaft Coupler L075 x 7/16	1
6	Z51383	Elbow 90 ORB x FPX 0808	1
7	Z53201	Pump, Two-Stage 11gpm	1
8	Z46521	Key, 3/16 x 3/16 x 7/8	1
9	Z46592	Woodruff Key, 1/8 x 1/2	1
10	Z71273	Hex Bolt, 5/16NF x 3/4	4
11	Z71255	Hex Bolt, 5/16NC x 5-1/2	2
12	Z71215	Hex Bolt, 5/16NC x 1-1/2	4
13	Z72221	Hex Lock Nut 5/16NC	4



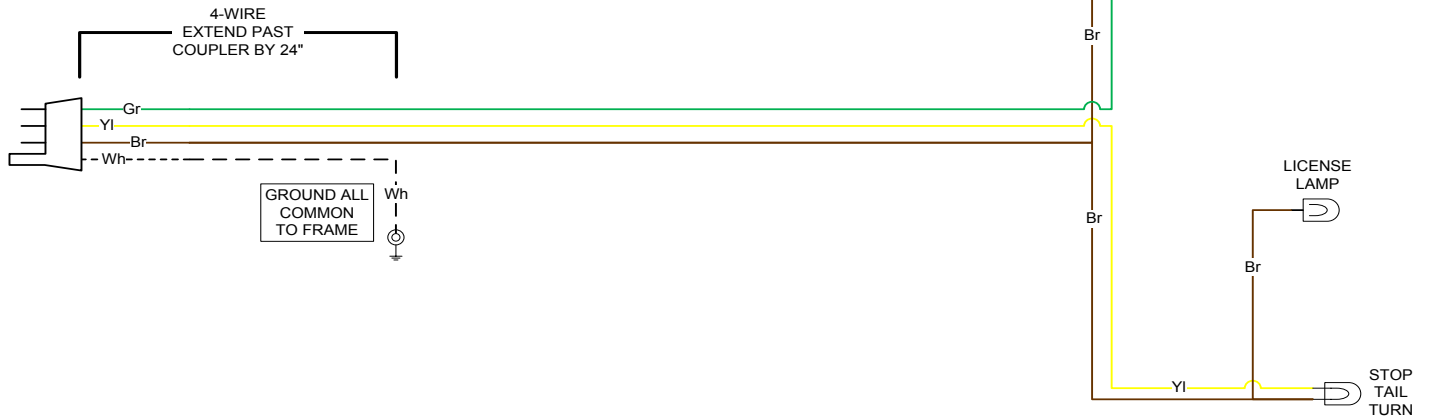
W4120 4-Way Wedge (Optional)

ITEM	PART NO.	DESCRIPTION	QTY
1	2082W201	Weldment, Main W4120	1
2	2082S201	Safety U-bolt	1
3	Z72231	Hex Lock Nut 3/8NC	2

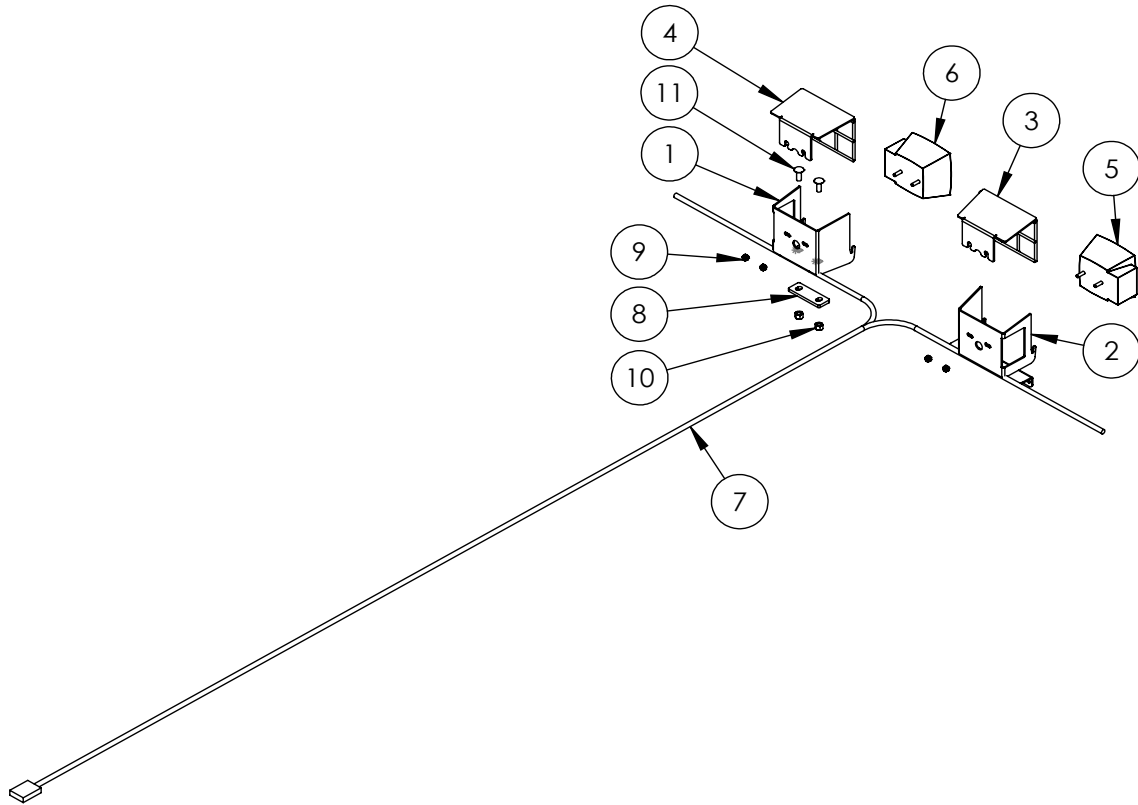
WX TRAILER SPLITTER WIRING

RIGHT SIDE

KEY	
Bl	BLUE
Br	BROWN
Gr	GREEN
Rd	RED
Yl	YELLOW
Bk	BLACK
Wh	WHITE



LEFT SIDE

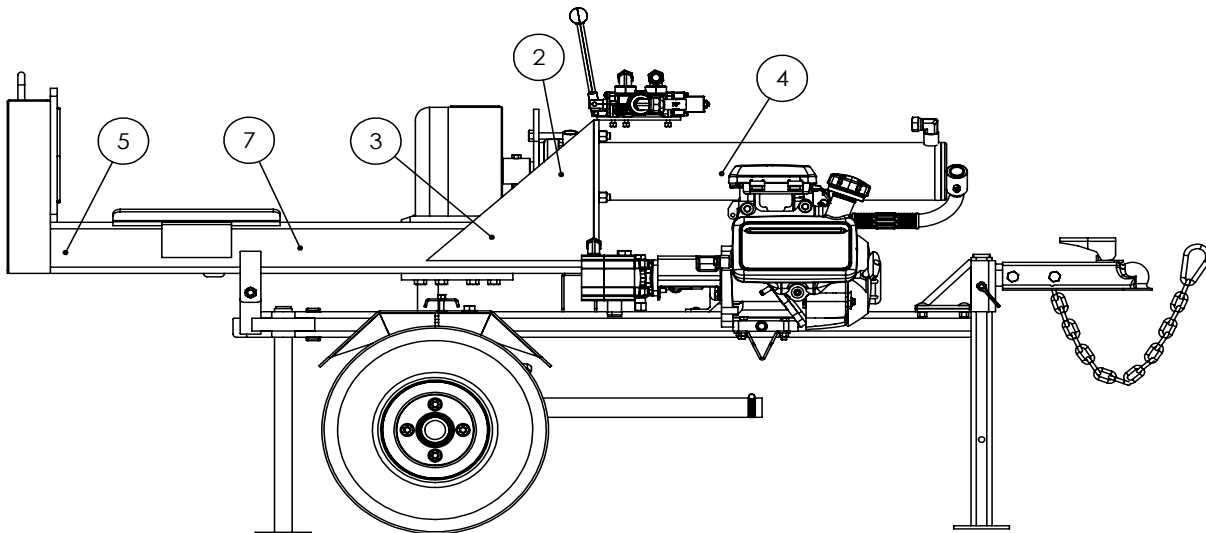
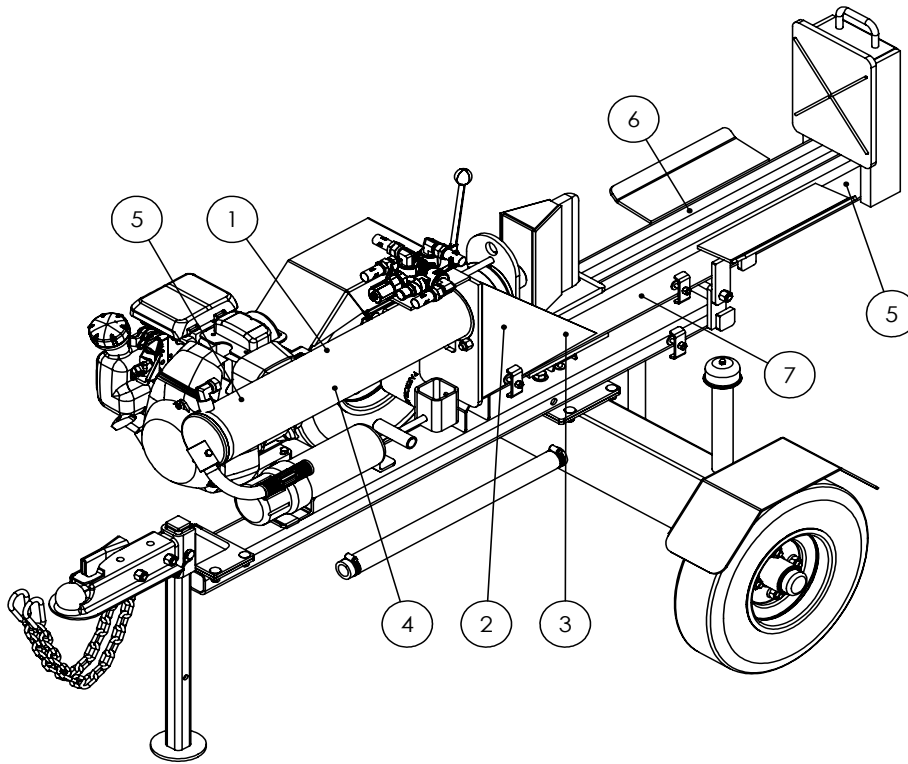


2089A350 LIGHT KIT (Optional)

ITEM	PART NO.	DESCRIPTION	QTY
1	2054L601	Light Bracket, RH	1
2	2054L402	Light Bracket, LH	1
3	2054W404	Light Guard, LH	1
4	2054W403	Light Guard, RH	1
5	Z61106	Stop, Turn, Tail Light LH	1
6	Z61107	Stop, Turn, Tail Light RH	1
7	Z62102	10' Wishbone Trailer Harness	1
8	2054L622	Bracket, Light Base	1
9	Z72941	Serrated Washer Nut 1/4NC	4
10	Z72231	Hex Lock Nut 3/8NC	2
11	Z76231	Carriage Bolt 3/8NC x 1	2

HORIZONTAL-VERTICAL LOG SPLITTER DECAL BREAKDOWN

ITEM	PART NO.	DESCRIPTION	QTY
1	Z94039	CAUTION - Read Manual	1
2	Z94040	WARNING - Moving Wedge	2
3	Z94067	Clear Guide	2
4	Z94056	Wallenstein	2
5	Z94019	Made in Canada	3
6	Z94066	Apply Oil or Grease	1
7	Z94045	WARNING - Lock Stabilizer	2



Horizontal-Vertical Log Splitter Decals

Z94056



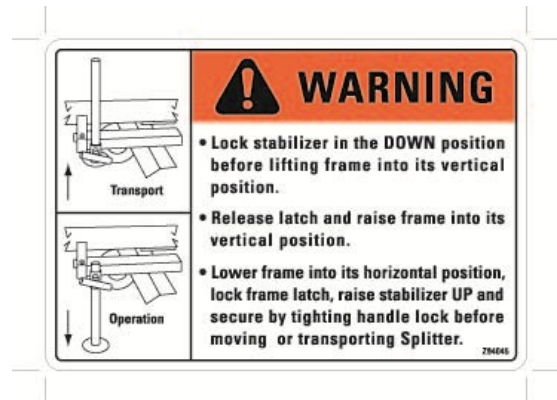
Z94067



Z94066



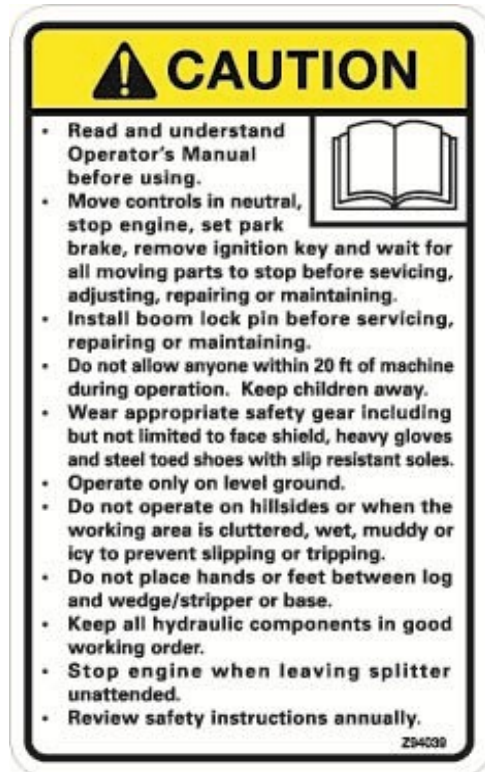
Z94045



Z94019



Z94039



Z94040





WALLENSTEIN Products Manufactured by:

EMB MFG Inc.

4144 Boomer Line
St. Clements, Ontario
Canada N0B 2M0
Phone: 1-877-695-9283
Fax: 519-699-4146
www.embmfg.com