



# GX920XT Ranchho Backhoe

S/N 3920XT13 TO S/N 3920XT20



## Foreword

EMB Mfg. has prepared this parts manual to assist customers in ordering quality OEM replacement parts.

Proper and regular service and replacing old, worn or broken parts with the correct Wallenstein parts are essential to prolonging the life of your Wallenstein product. Please refer to this manual before ordering any replacement parts.

All information contained in this parts manual is based on the latest product specification available at the time of printing this manual. If your product differs from the specifications contained within this manual contact EMB Mfg. for information.

EMB reserves the right to alter specifications on their products at any time.

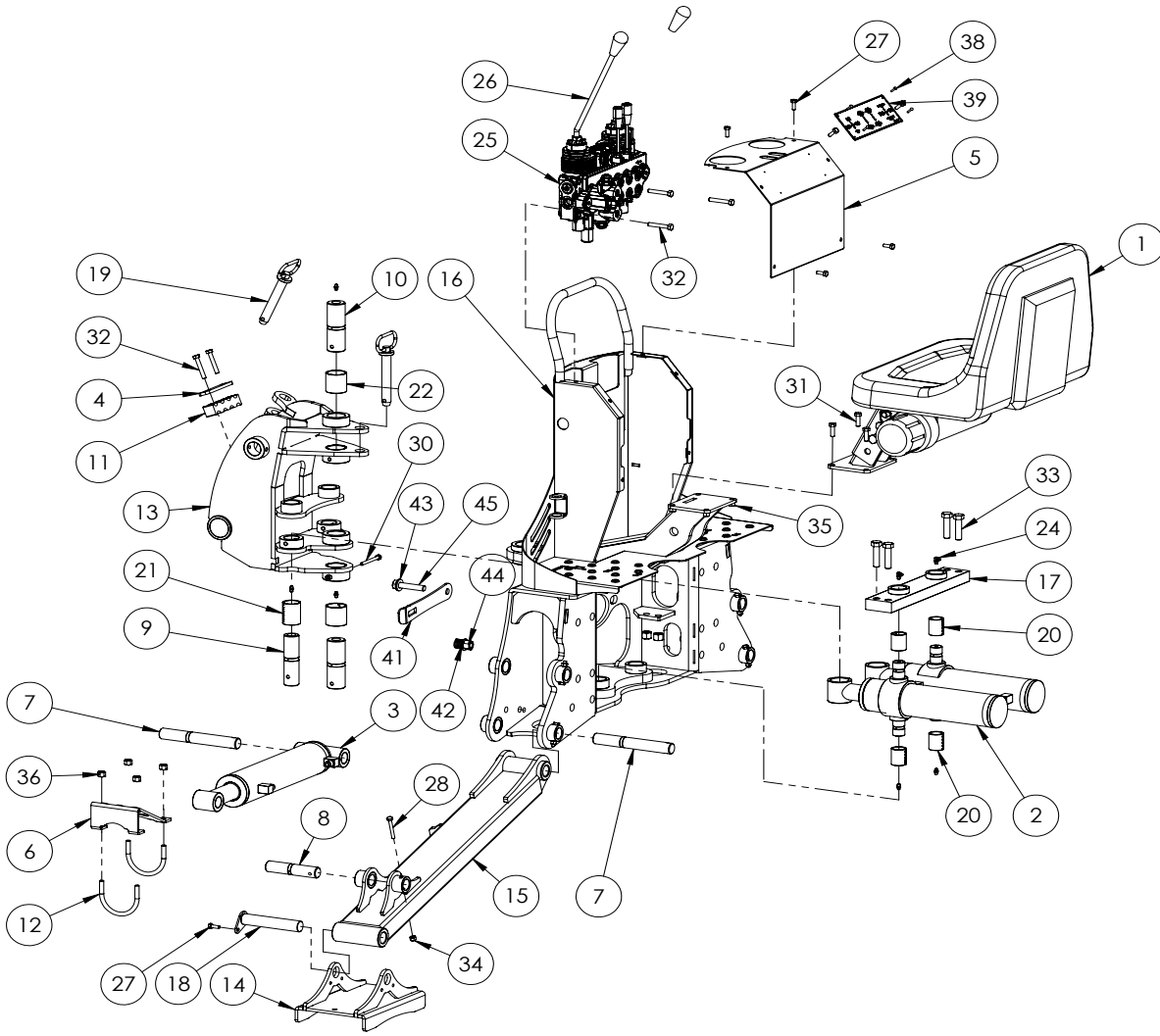
Reproduction of this parts manual of any kind is prohibited without prior written permission from EMB Mfg.

**Note:** Products with factory installed light kits will have a VIN number included. The last six numbers of this VIN number are the splitters serial number

Example: 2E9US1112BSXXXXXX

# Table of Contents

Main Frame	4
Boom	6
A	6
Bucket & Seat Assembly	7
Hydraulic Schematic & Assembly	8
Cylinders	9
Valve & Parts	12
Foot Valve	14
Pump Kit (Optional)	14
Decals	16

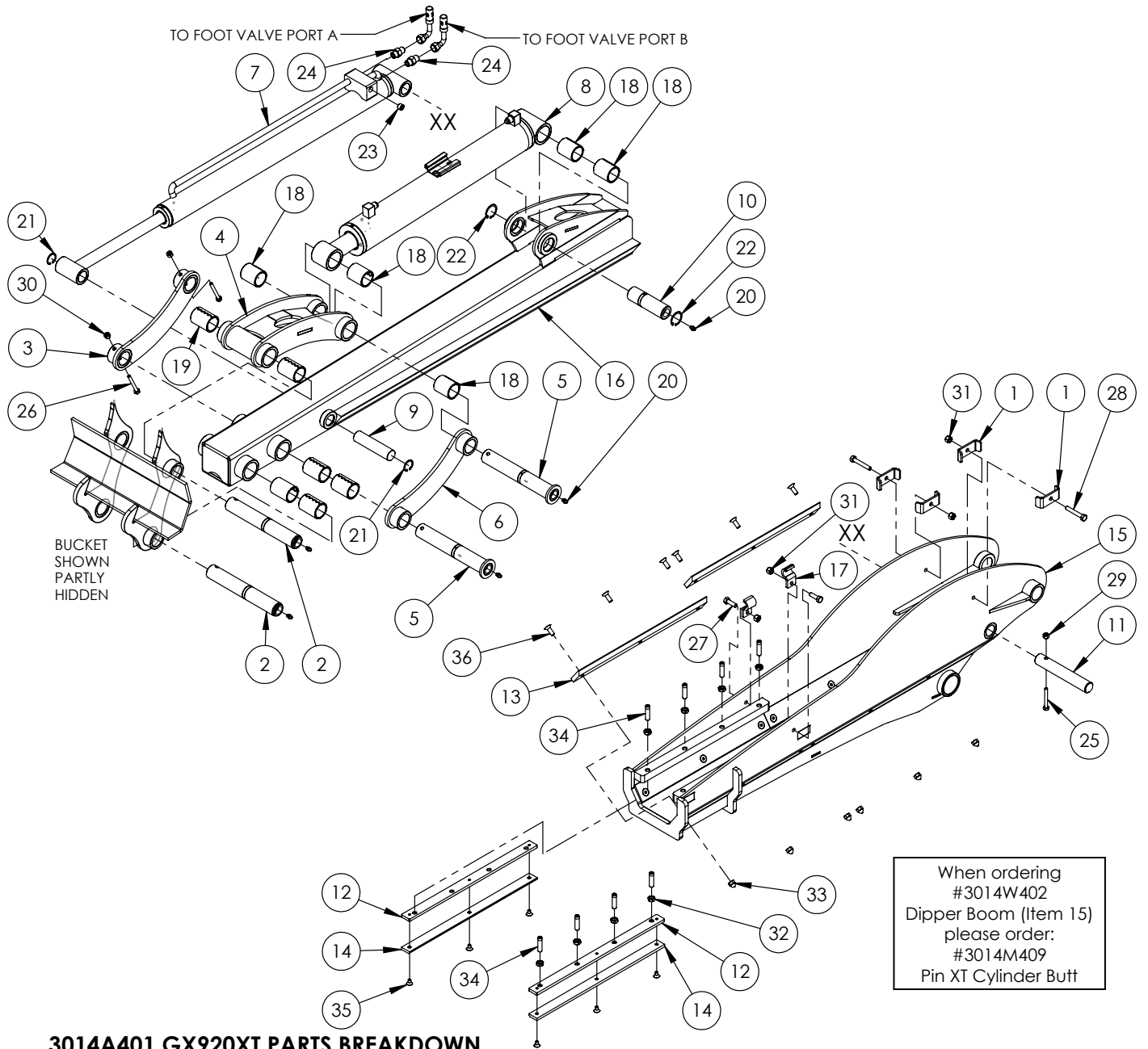


**GX720 / GX920 MAIN BASE PARTS BREAKDOWN**

ITEM	PART NO.	Description	QTY.
1	3011A102	Seat Assembly	1
2	3012C203	Cylinder, 2-1/2 x 7-3/4 Stroke	2
3	3012C204	Cylinder, 2-1/2 x 9-1/2 Stroke	2
4	3012L234	Hose Clamp	1
5	3012L238	Shield, Control Valve	1
6	3012L278	Step, Stabilizer	2
7	3012M206	Pin, Linkage 1"	4
8	3012M214	Pin, Linkage 1"	2
9	3012M220	Pin, Linkage 1-1/4	2
10	3012M233	Pin, Swing Cylinder	2
11	3012S201	Clamp, 8-Hose	1
12	3012S204	U-Bolt, Stab Step	4
13	3012W205	Swing Tower Assembly	1
14	3012W207	Foot Pad, Stabilizer	2
15	3012W208	Stabilizer, LH	1
16	3012W210	Base, Main Frame	1
17	3012W214	Bar, Swing Cylinder Retaining	1
18	3012W218	Flange Pin, Foot Pad	2
19	Z11242	Hitch Pin 3/4 x 4-1/4	2
20	Z27221	Connex Bushing 1 x 1-1/2	4
21	Z27232	Connex Bushing 1-1/4 x 2	2
22	Z27241	Connex Bushing 1-1/2 x 1-3/4	2
23	Z29202	Grease Zerk 1/4NF	12
24	Z29203	Grease Zerk 90, 1/4NF	2
25	Z56202	Monoblock 6-Section Valve	1

ITEM	PART NO.	Description	QTY.
26	Z56910	Backhoe lever, bent 12"	2
27	Z71107	Hex Bolt 1/4NC x 3/4	8
28	Z71120	Hex Bolt 1/4NC x 2	6
29	Z71125	Hex Bolt 1/4NC x 2-1/2	3
30	Z71127	Hex Bolt, 1/4NC x 2-3/4	2
31	Z71210	Hex Bolt 5/16NC x 1	4
32	Z71220	Hex Bolt 5/16NC x 2	5
33	Z71520	Hex Bolt 1/2NC x 2	4
34	Z72111	Hex Lock Nut 1/4NC	11
35	Z72221	Hex Lock Nut, 5/16NC	4
36	Z72231	Hex Lock Nut 3/8NC	8
37	Z72251	Hex Lock Nut 1/2NC	4
38	Z79302	Rivet, 1/8 x 1/2	4
39	Z94035	Plate, Control	1
40	3012W209	Stabilizer, RH	1
41	3012L279	Plate, Stabilizer Lock	2
42	Z32302	Med Spring .845 x 1-1/4	2
43	Z73151	Flat Washer, 1/2	6
44	Z72251	Hex Lock Nut 1/2NC	2
45	Z71525	Hex Bolt 1/2NC x 2-1/2	2



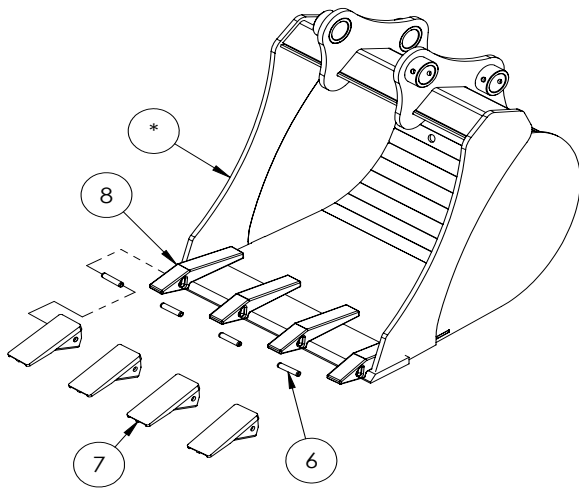


**3014A401 GX920XT PARTS BREAKDOWN**

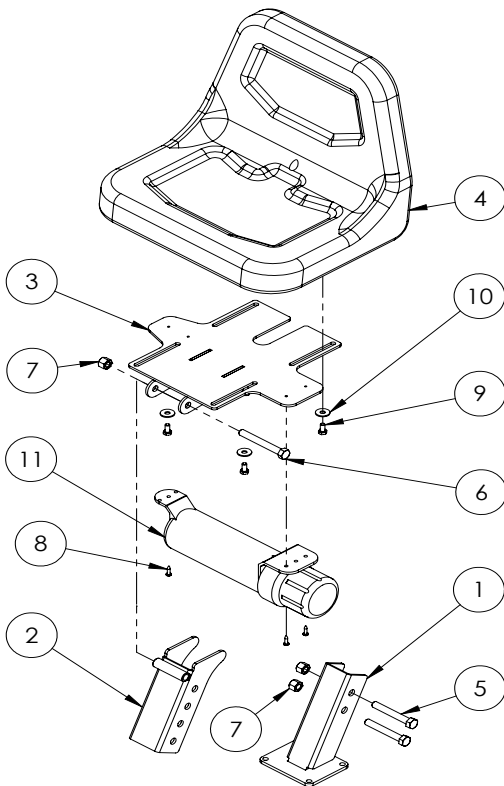
ITEM	PART NO.	Description	QTY.
1	2054L412	Clamp, Two Hose	4
2	3012M209	Pin, Linkage 1-1/4 x 8-3/8	2
3	3012W202	Linkage, LH Bucket	1
4	3012W203	Linkage, Bucket	1
5	3012W217	Bucket Pin w/ Washer	2
6	3012W220	Linkage, RH Bucket	1
7	3014C402	Cylinder, 1-3/4" x 1"x	1
8	3014C407	Cylinder, 2-1/2x17-1/2 Stroke	1
9	3014M403	Pin, XT Cylinder Rod	1
10	3014M407	Pin, Linkage 1-1/4	1
11	3014M409A	Pin, XT Cylinder Butt	1
12	3014M410	Backer, Upper Slide	2
13	3014S406	Dipper Slide, Lower	4
14	3014S409	Dipper Slide, Upper	2
15	3014W402	Dipper Boom, XT Base	1
16	3014W403	Slide, XT Dipper	1
17	6011L128	Single Hose Clamp	2
18	Z27231	Connex Bushing 1-1/4 x 1-3/4	5
19	Z27232	Connex Bushing 1-1/4 x 2	6

ITEM	PART NO.	Description	QTY.
20	Z29202	Grease Zerk 1/4NF	5
21	Z46102	Retaining Ring, Internal 1"	2
22	Z46103	Retaining Ring, Internal 1-1/4	2
23	Z51194	Socket Plug 1/4NPT	1
24	Z51641	#6ORB x #6JIC	2
25	Z71120	Hex Bolt 1/4NC x 2	1
26	Z71122G8	Hex Bolt, 1/4NC x 2-1/4 G8	4
27	Z71210	Hex Bolt 5/16NC x 1	2
28	Z71220	Hex Bolt 5/16NC x 2	2
29	Z72111	Hex Lock Nut 1/4NC	1
30	Z72111	Hex Lock Nut 1/4NC	4
31	Z72221	Hex Lock Nut 5/16NC	4
32	Z72431	Hex Jam Nut, 3/8NC	8
33	Z72914	Acorn Nut, 5/16NC	13
34	Z74134	Set Screw, 3/8NC x 1-1/2	8
35	Z75212	Flat Head Cap Screw, 1/4NC x 7/16	6
36	Z75221	F.H.C.S. 5/16NC x 7/8	12

**GX720 / GX920 BUCKETS**



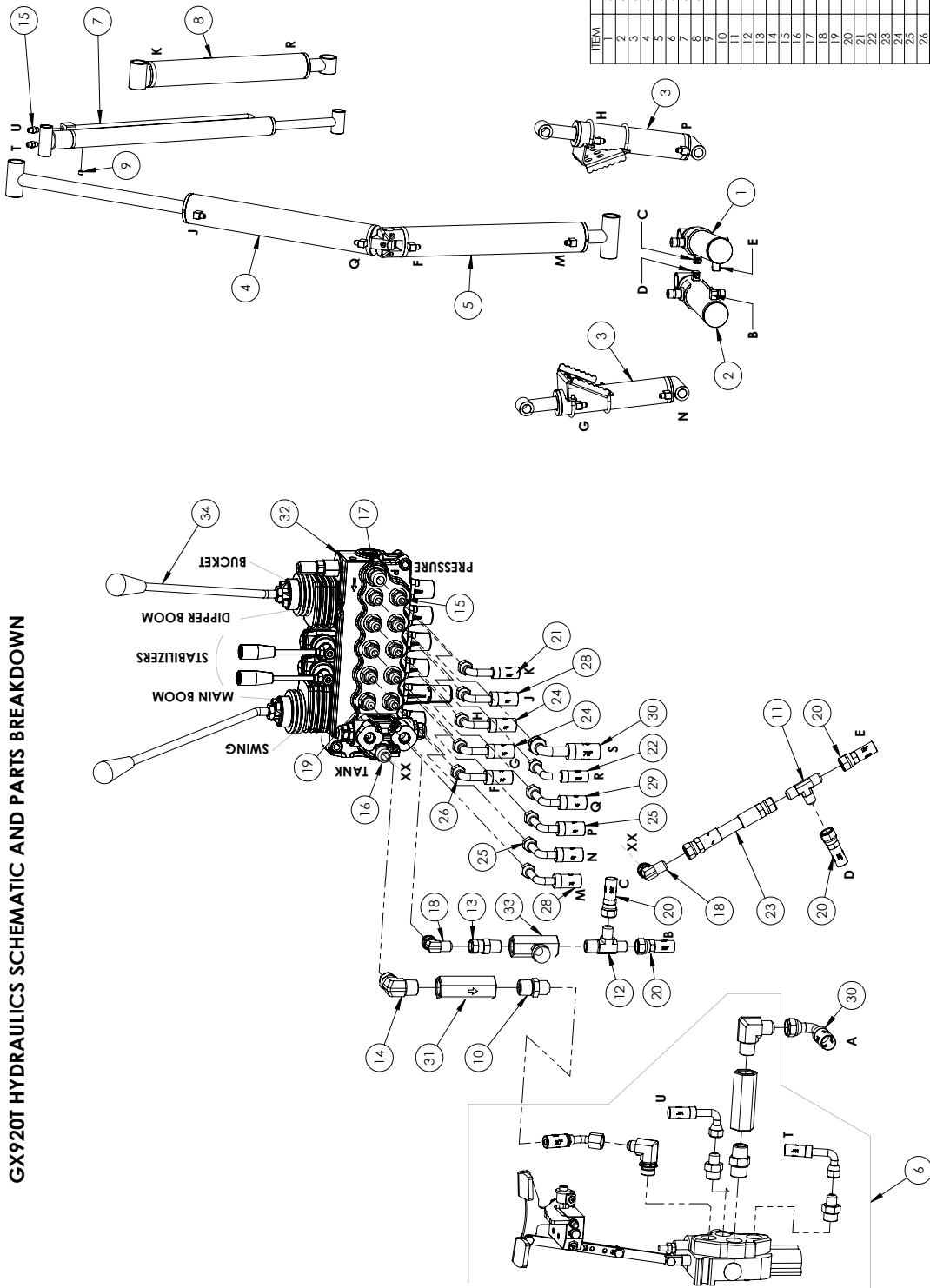
ITEM	PART NO.	Description	QTY.
*	3082A040	Bucket, 9" Large	
*	3082A050	Bucket, 12" Large	
*	3082A060	Bucket, 15" Large	
*	3082A070	Bucket, 18" Large	
*	3082A080	Bucket, 24" Large	
6	Z14181	Roll Pin 5/16 x 1-1/2	3,4,5
7	Z19902	Tooth, Backhoe Pin-on	3,4,5
8	Z19901	Stud, Backhoe Weld-on	3,4,5



**GX720 / GX920 SEAT ASSEMBLY**

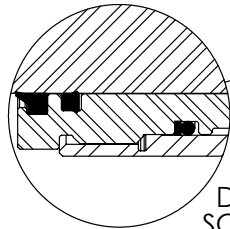
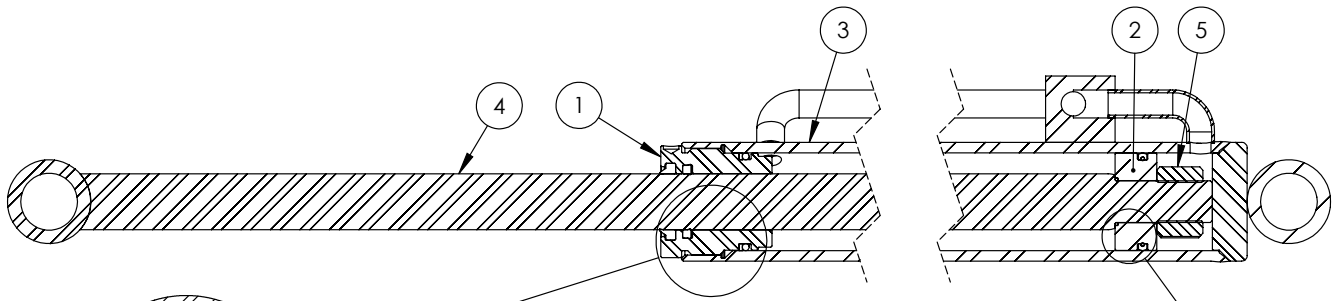
ITEM	PART NO.	Description	QTY.
1	3011W111	Base, Seat	1
2	3011W112	Mount, Seat	1
3	3011W113	Plate, Seat	1
4	Z19201	High-Back Seat	1
5	Z71535	Hex Bolt 1/2NC x 3-1/2	2
6	Z71540	Hex Bolt 1/2NC x 4	1
7	Z72251	Hex Lock Nut 1/2NC	3
8	Z76712	Self-tapping Screw #10	3
9	Z77152	Hex Bolt, M8 x 16mm	4
10	Z77352	Washer, M8	4
11	Z96502	Manual Tube 3-1/2	1

GX920T HYDRAULICS SCHEMATIC AND PARTS BREAKDOWN

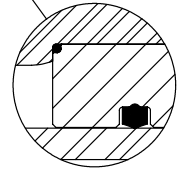


ITEM	PART NO.	Description	QTY.
1	3012C203	Cylinder, 2-1/2 x 7-3/4 Stroke	1
2	3012C203	Cylinder, 2-1/2 x 7-3/4 Stroke	1
3	3012C204	Cylinder, 2-1/2 x 9-1/2 Stroke	2
4	3013C305	Cylinder, 3 x 20.85 Stroke	1
5	3013C306	Cylinder, 3x19 Stroke	1
6	3014C402	Cylinder, 2 1/2 x 17 1/2 Stroke	1
7	3014C407	Cylinder, 2 1/2 x 17 1/2 Stroke	1
8	251194	Socket Plug, 1/2NPT	1
9	251442	#8 JIC x 1/2NPT	1
10	251483	#6JIC x #6JIC x #6JIC Tee	1
11	251483	#6JIC x #6JIC x #6JIC Tee	1
12	251486	Tee M.JIC x MP x M.JIC 060606	1
13	251511	#6JIC Fem x 3/8 NPT	1
14	251521	1/2NPT x #8JIC Fem Swivel	1
15	251641	#6ORB x #6JIC	1
16	251642	#6ORB x #6JIC Long Custom	1
17	251643	#6ORB x #6JIC Long Custom	1
18	251645	#6JIC x #6ORB 90 Elbow	2
19	251928	ORB x M.JIC 0.606 x 0.042 Orifice	1
20	252102	1/4 Hose, #6JIC x #6JIC x 28"	4
21	252116	1/4 Hose, #6JIC x #6JIC 90 x 188"	1
22	252117	1/4 Hose, #6JIC x #6JIC 90g x 188"	1
23	252217	3/8 Hose, #6JIC x #6JIC x 4	1
24	252218	3/8 Hose, #6JIC x #6JIC 90 x 39"	2
25	252219	3/8 Hose, #6JIC x #6JIC 90 x 39"	2
26	252220	3/8 Hose, #6JIC x #6JIC 90 x 74"	1
27	252221	3/8 Hose, #6JIC x #6JIC 90 x 74"	1
28	252226	3/8 Hose, #6JIC x #6JIC 90 x 98"	1
29	252227	3/8 Hose, #6JIC x #6JIC 90g x 98"	1
30	252306	1/2 Hose, #8FJIC 90 x 1/2NPT x 78"	2
31	256102	Check Valve 1/2NPT O.P.S.I.	1
32	256202	Monoblock 6-Section Valve	1
33	256301	In-Line Needle Valve	1
34	256910	Backhoe lever, bent 12"	2





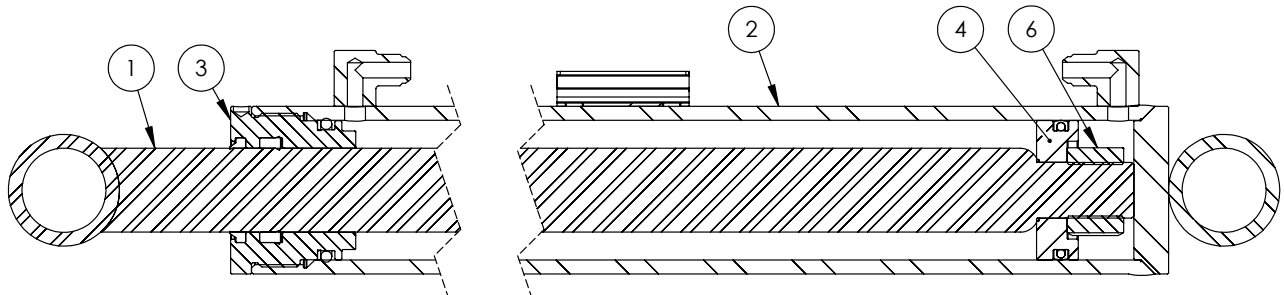
**DETAIL B**  
SCALE 2 : 3  
SHOWS PROPER  
ORIENTATION OF SEALS  
(COMMON TO ALL CYLINDERS)



**DETAIL C**  
SCALE 1 : 1

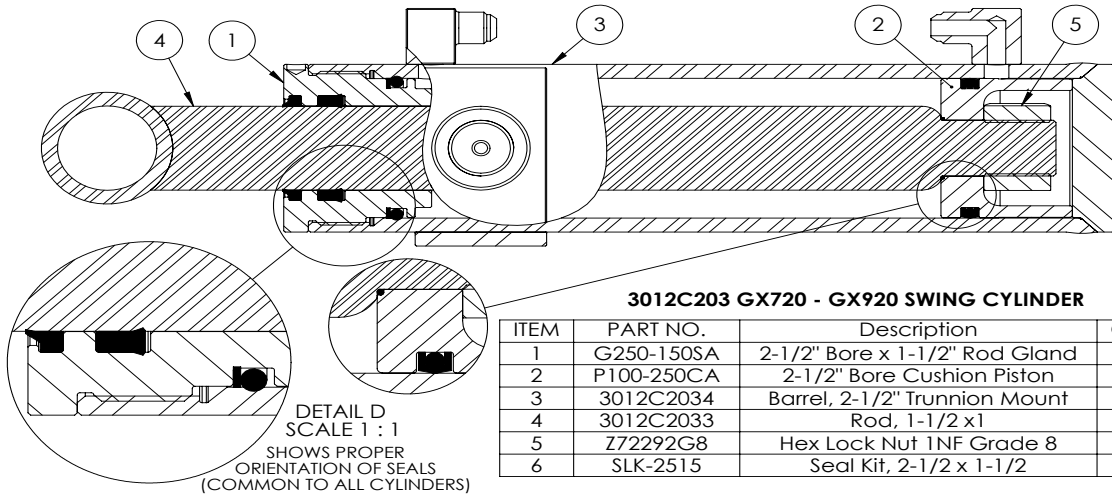
**3014C402 GX920XT EXTEND CYLINDER**

ITEM	PART NO.	Description	QTY.
1	G175-100SA	1-3/4" Bore x 1" Rod Gland	1
2	P750-175SA	1-3/4" Bore Piston	1
3	3014C4024	Barrel, 1-3/4" Bore	1
4	3014C4023	Rod, 1x3/4	1
5	Z72171	Hex Nut, 3/4NC	1
6	SLK-1710	Seal Kit, 1-3/4 x 1	1



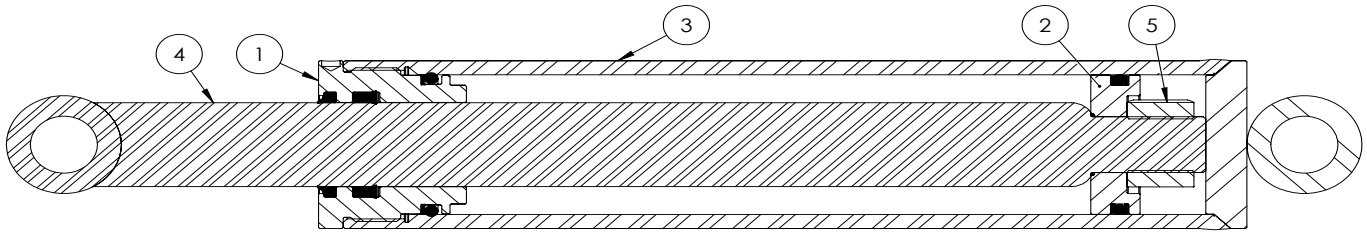
**3014C407 GX920XT BUCKET CYLINDER**

ITEM	PART NO.	Description	QTY.
1	3014C4073	Rod, 1-1/2 x 1	1
2	3014C4074	Barrel, 2-1/2"	1
3	G250-150SA	2-1/2" Bore x 1-1/2" Rod Gland	1
4	P100-250SA	2-1/2" Bore Piston	1
5	SLK-2515	Seal Kit, 2-1/2 x 1-1/2	1
6	Z72292G8	Hex Lock Nut 1NF Grade 8	1



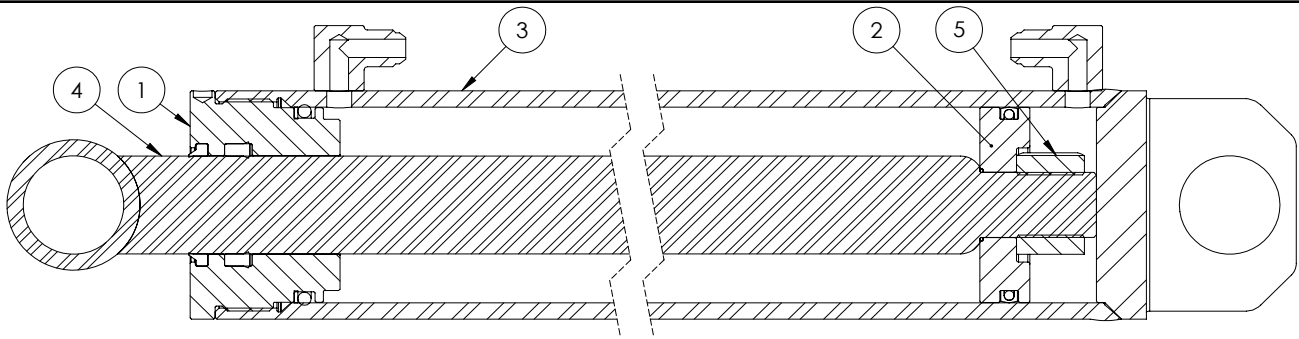
**3012C203 GX720 - GX920 SWING CYLINDER**

ITEM	PART NO.	Description	QTY.
1	G250-150SA	2-1/2" Bore x 1-1/2" Rod Gland	1
2	P100-250CA	2-1/2" Bore Cushion Piston	1
3	3012C2034	Barrel, 2-1/2" Trunnion Mount	1
4	3012C2033	Rod, 1-1/2 x1	1
5	Z72292G8	Hex Lock Nut 1NF Grade 8	1
6	SLK-2515	Seal Kit, 2-1/2 x 1-1/2	1



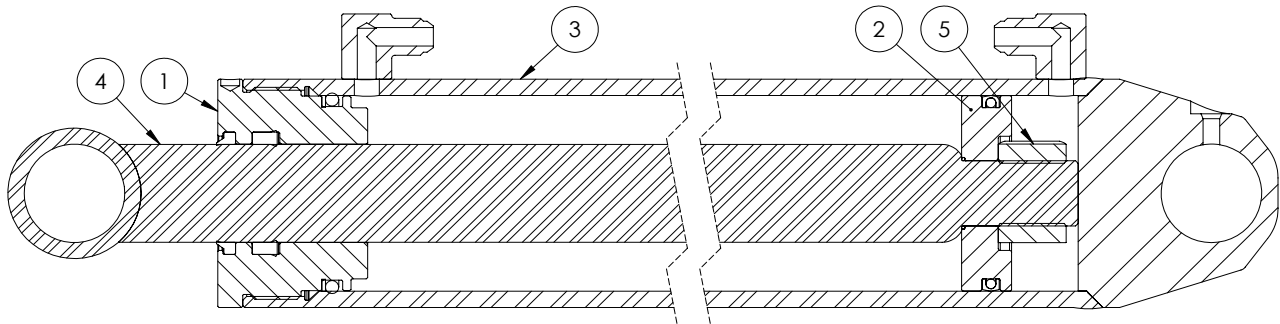
**3012C204 GX720 - GX920 STABILIZER CYLINDER**

ITEM	PART NO.	Description	QTY.
1	G250-150SA	2-1/2" Bore x 1-1/2" Rod Gland	1
2	P100-250SA	2-1/2" Bore Piston	1
3	3012C2044	Barrel, 2-1/2" Bore	1
4	3012C2043	Rod, 1-1/2 x1	1
5	Z72292G8	Hex Lock Nut 1NF Grade 8	1
6	SLK-2515	Seal Kit, 2-1/2 x 1-1/2	1



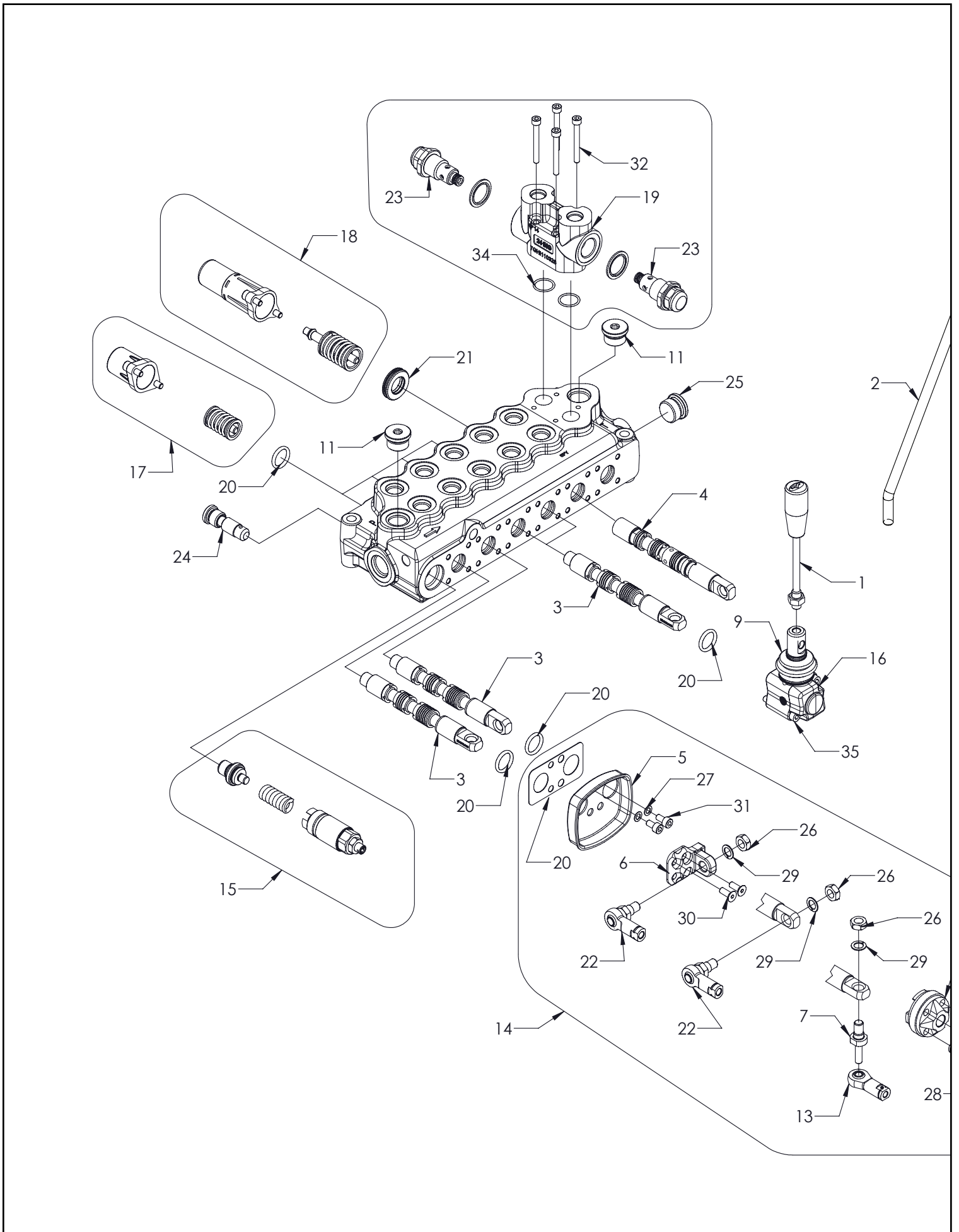
**GX720 - 3012C206  
GX920 - 3013C306 MAIN BOOM CYLINDERS**

ITEM	GX720	GX920	Description	QTY.
1	G300-150SA		3" Bore x 1-1/2" Rod Gland	1
2	P100-300SA		3" Bore Piston	1
3	3012C2064	3013C3064	Barrel, 3" Clevis Butt	1
4	3012C2063	3013C3063	Rod, 1-1/2 x1	1
5	Z72292G8		Hex Lock Nut 1NF Grade 8	1
6	SLK-3015		Seal Kit, 3 x 1-1/2	1



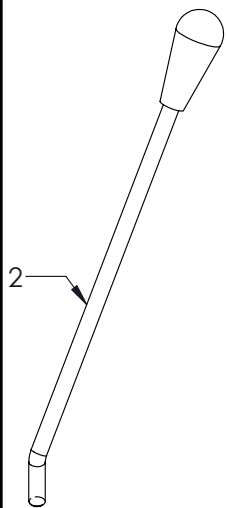
**GX720 - 3012C205  
GX920 - 3013C305 DIPPER BOOM CYLINDERS**

ITEM	GX720	GX920	Description	QTY.
1	G300-150SA		3" Bore x 1-1/2" Rod Gland	1
2	P100-300SA		3" Bore Piston	1
3	3012C2054	3013C3054	Barrel, 3" Bore	1
4	3012C2053	3013C3053	Rod, 1-1/2 x1	1
5	Z72292G8		Hex Lock Nut 1NF Grade 8	1
6	SLK-3015		Seal Kit, 3 x 1-1/2	1

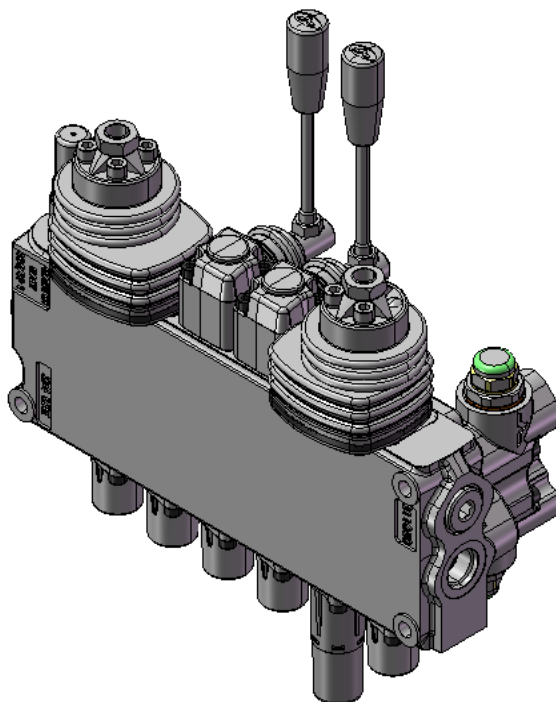
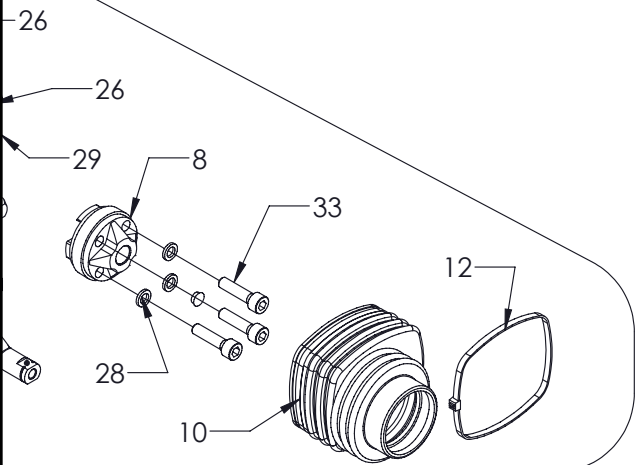


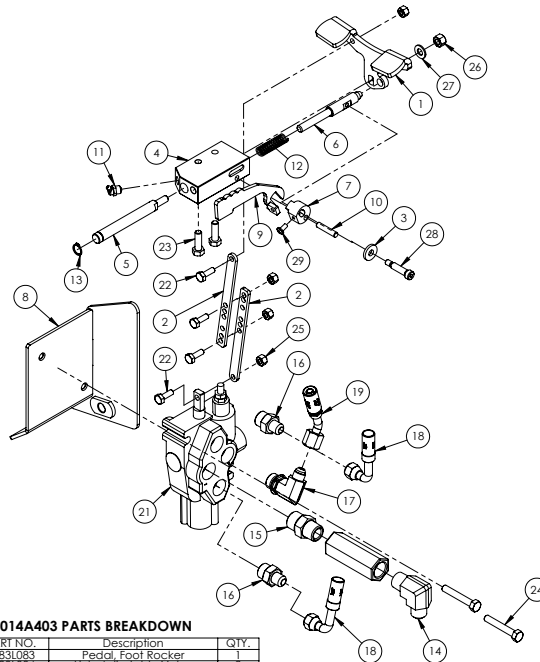
### Z56202 VALVE PARTS BREAKDOWN

ITEM	PART NO.	DESCRIPTION	QTY.
1	170011012	AL01/M8X120 HANDLEVER (SHORT)	2
2	Z56910	AL08/M12X350 BENT LEVER (LONG)	2
3	3CU1210133	TIGHT FIT SPOOL	4
4	3CU1245620	FLOAT SPOOL	1
5	3FLA125130	LCB5 FLANGE	2
6	3FUL220101	LCB5 FULCRUM	2
7	3PER515415	LCB5 SPOOL PIN	2
8	3POR340241	LCB5 ADAPTER HANDLE	2
9	3SOF136240	L5 RUBBER BOOT ONLY	2
10	3SOF200701	LCB5 RUBBER BOOT	2
11	3XTAP822150	PLUG SAE8	2
12	4ACC210	TIE STRAP	2
13	4ART706020	LCB6 TUTHILL	2
14	5CLO206100	LCB6 COMPLETE JOYSTICK KIT	2
15	5KIT105413	RELIEF VALVE	1
16	5LEV105000	L5 LEVER BOX	2
17	5V08105000	SPRING CENTER KIT	4
18	5V13405020	FLOAT KIT	1
19	602001101	PORT RELIEF BLOCK	1
20	SK SD5/6	VALVE SEAL KIT (12 O-RINGS, 2 GASKETS)	1
21	XANE228061	RING	1
22	XART706020	LCB6 TUTHILL WITH BOLT	4
23	XCAR211113	PORT RELIEF CARTRIDGE	2
24	XKIT005000	LOAD CHECK	1
25	XTAP623170	OPEN CENTER PLUG	1
	AEK SD5	CLOSED CENTER PLUG	OPTION
26	Z77252	JAM NUT M8x1.25	10
27	Z77321	LOCK WASHER M5	8
28	Z77331	LOCK WASHER M6	6
29	Z77354	LOCK WASHER M8	6
30	Z77521	FHCS M5x0.8x14mm	8
31	Z77522	SHCS M5x0.8x10mm	8
32	Z77523	SHCS M5x0.8x45mm	4
33	Z77531	SHCS M6x1.0x25mm	6
34	OR 17.18X1.78	PORT RELIEF O-RING	2
35	Z77524	SHCS M5x0.8x35mm	8



16



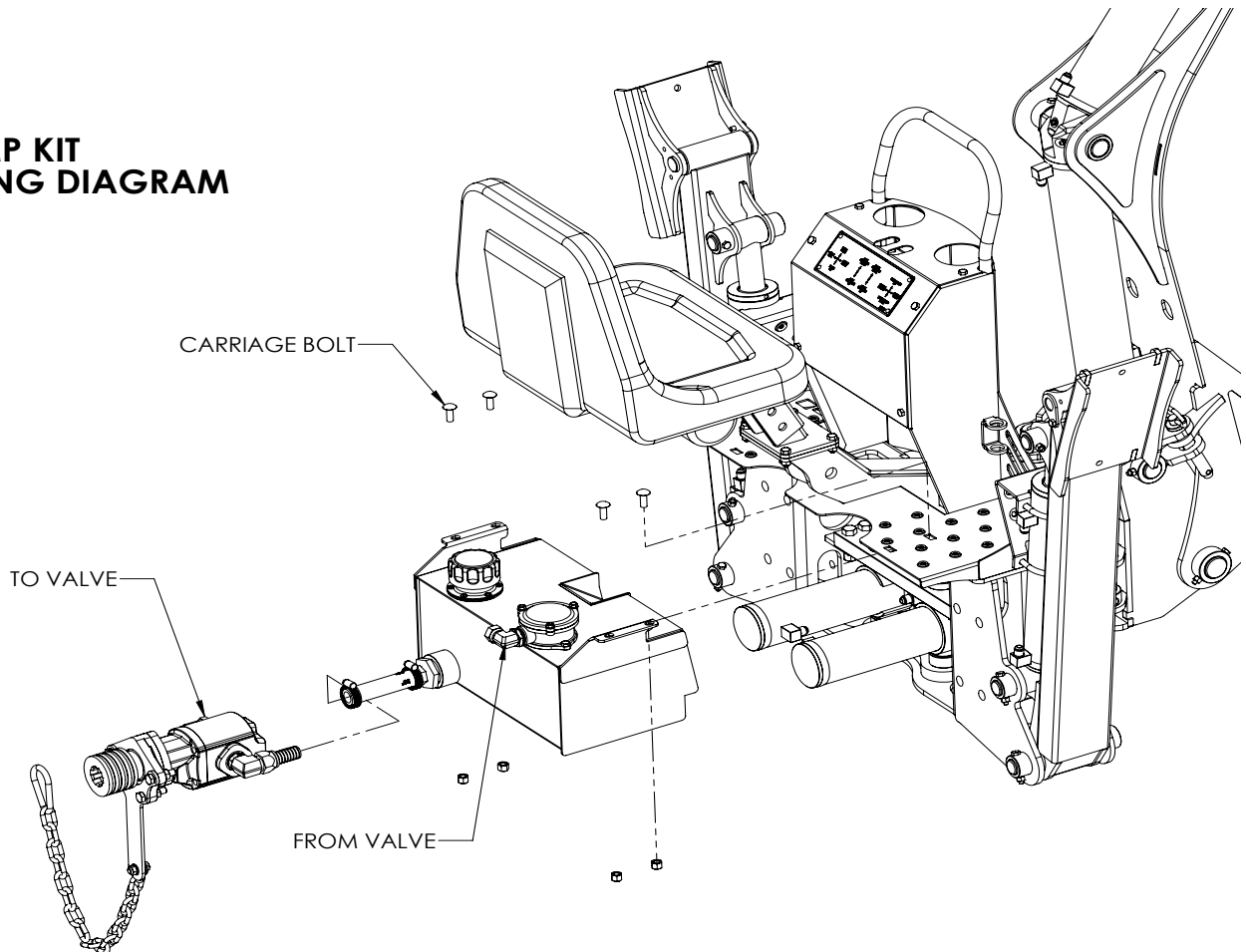


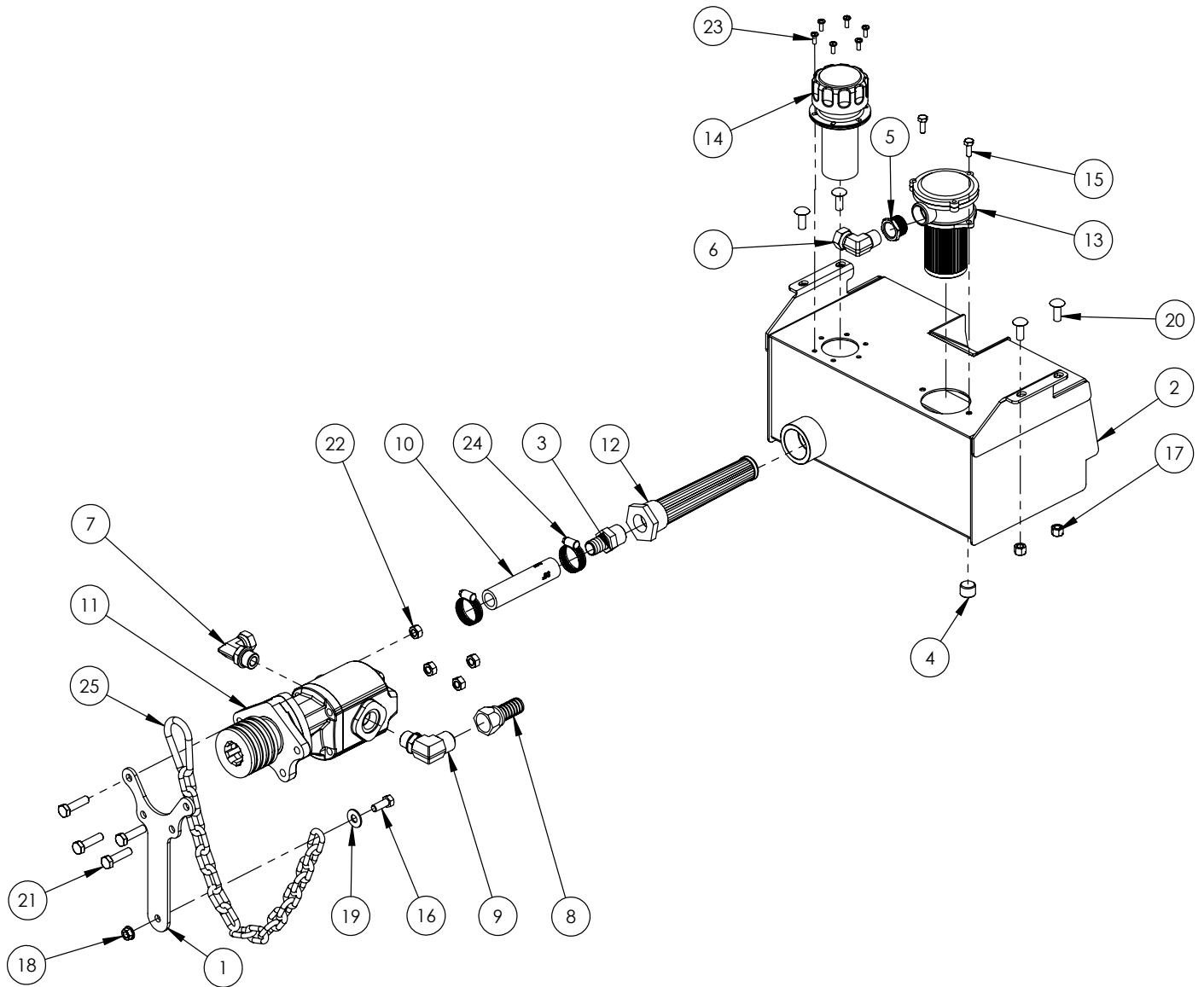
**3014A403 PARTS BREAKDOWN**

ITEM	PART NO.	Description	QTY.
1	30831083	Pedal, Foot Rocker	1
2	30831084	Link, Adjustable Valve	2
3	30831088	Washer, Capture	1
4	3083W081	Block, Pedal Rocker	1
5	3083W082	Shaft, Rocker	1
6	3083W083	Shaft, Lock	1
7	3083W084	C.am, Side Rotating	1
8	3083W081	Bracket, Valve	1
9	3083W082	Weldment, Safety Bar	1
10	Z13172	Dowel Pin, 1/4 x 1-1/4	1
11	Z29204	Grease Fitting, 1/8NPT x 45	1
12	Z32304	Spring, 1/2 x 1-3/4 Medium	1
13	Z46201	Retaining Ring, 1/2	1
14	Z51451	#8JIC x 1/2NPT 90 Elbow	1
15	Z51411	#10 ORB x 1/2NPT	1
16	Z51444	#8ORB x #6JIC	2
17	Z51455	#6JIC x #8ORB 90	1
18	Z52115	#6 JIC 90 x #6 JIC 90 x 152	2
19	Z52230	3/8 Hose, #6 JIC x #6 JIC 45 x 20	1
20	Z56102	Check Valve 1/2FNPT OPSP	1

ITEM	PART NO.	Description	QTY.
21	Z56205	Single Function Valve	1
22	Z71107	Hex Bolt 1/4NC x 3/4	4
23	Z71210	Hex Bolt 5/16NC x 1	2
24	Z71220	Hex Bolt 5/16NC x 2	2
25	Z72111	Hex Lock Nut 1/4NC	4
26	Z72221	Hex Lock Nut, 5/16NC	1
27	Z73120	Washer, 3/16	1
28	Z75321	Shoulder Bolt 5/16 x 1	1
29	Z78302	Machine Screw # 10NF x 3/8	1

**PTO PUMP KIT MOUNTING DIAGRAM**



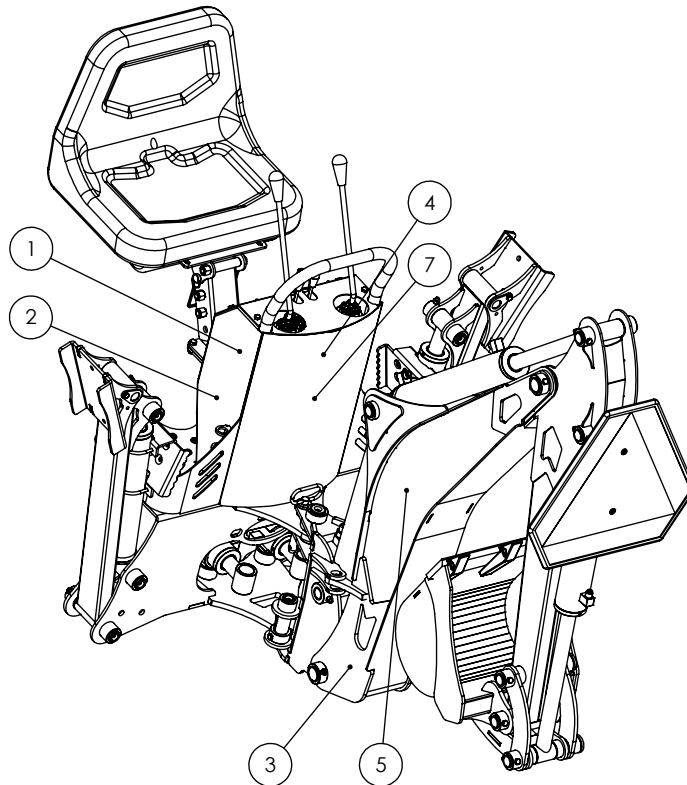
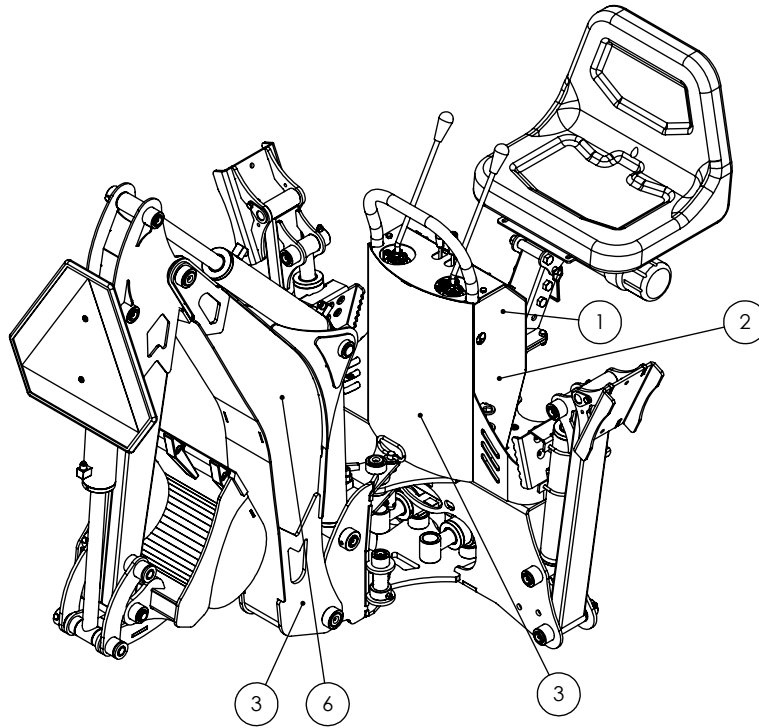


### PTO72 PUMP KIT PARTS BREAKDOWN

ITEM	PART NO.	DESCRIPTION	QTY
1	3081L107	Lever, Stop	1
2	3081W151	Tank, 3-1/4 Gallon	1
3	Z51181	3/4NPT x 3/4 Hose Barb	1
4	Z51192	Socket Plug 1/2NPT	1
5	Z51221	Reducer FP x MP 1208	1
6	Z51331	Elbow 90 MP x FPX 0808	1
7	Z51384	#10ORB x 1/2FNPT 90 Elbow	1
8	Z51591	#12JIC x 3/4 Hose Barb	1
9	Z51654	#12JIC x #10ORB 90 Elbow	1
10	Z52403	3/4 Plain Hose x 36"	1
11	Z53102	Pump, 2.38 CIR	1
12	Z55101	Tank Strainer, Suction	1
13	Z55201	Tank Mounted Return Filter	1
14	Z55401	Breather Filler Cap	1
15	Z71107	Hex Bolt 1/4NC x 3/4	2
16	Z71310	Hex Bolt 3/8NC x 1	1
17	Z72231	Hex Lock Nut 3/8NC	4
18	Z72531	Flange Nut 3/8NC	1
19	Z73230	Wide Flat Washer 3/8	1
20	Z76231	Carriage Bolt 3/8NC x 1	4
21	Z77161	Hex Bolt, M10 x 40mm	4
22	Z77260	Hex Nut, M10	4
23	Z78303	Machine Screw #10NF x 1/2	6
24	Z79401	Hose Clamp, #16	2
25	Z92303	Safety Chain 1/4 x 2'	1

### GX920 DECAL BREAKDOWN

ITEM	PART NO.	DESCRIPTION	QTY
1	Z94036	CAUTION - Read Manual	2
2	Z94037	Moving Boom Hazard	2
3	Z94038	WARNING - Install Lock Pin	3
4	Z94019	Made in Canada	3
5	Z94025	GX920 RH Curved Decal	1
6	Z94026	GX920 LH Curved Decal	1
7	Z94054	Wallenstein Ranchho	1





## GX920 Decals

Z94054



Z94019



Z94025



Z94038



Z94026



Z94036



Z94037





**WALLENSTEIN Products Manufactured by:**

**EMB MFG Inc.**

4144 Boomer Line  
St. Clements, Ontario  
Canada N0B 2M0  
Phone: 1-877-695-9283  
Fax: 519-699-4146  
[www.embmfg.com](http://www.embmfg.com)