



# BXMT4224 Chipper-Shredder Parts Manual

S/N 2E9US1119AS050033 to S/N 2E9US1119AS050067



# Foreword

EMB Mfg. has prepared this parts manual to assist customers in ordering quality OEM replacement parts.

Proper and regular service and replacing old, worn or broken parts with the correct OEM parts are essential to prolonging the life of your EMB product. Please refer to this manual before ordering any replacement parts.

All information contained in this parts manual is based on the latest product specification available at the time of printing this manual. If your product differs from the specifications contained within this manual contact EMB Mfg. for information.

EMB reserves the right to alter specifications on their products at any time.

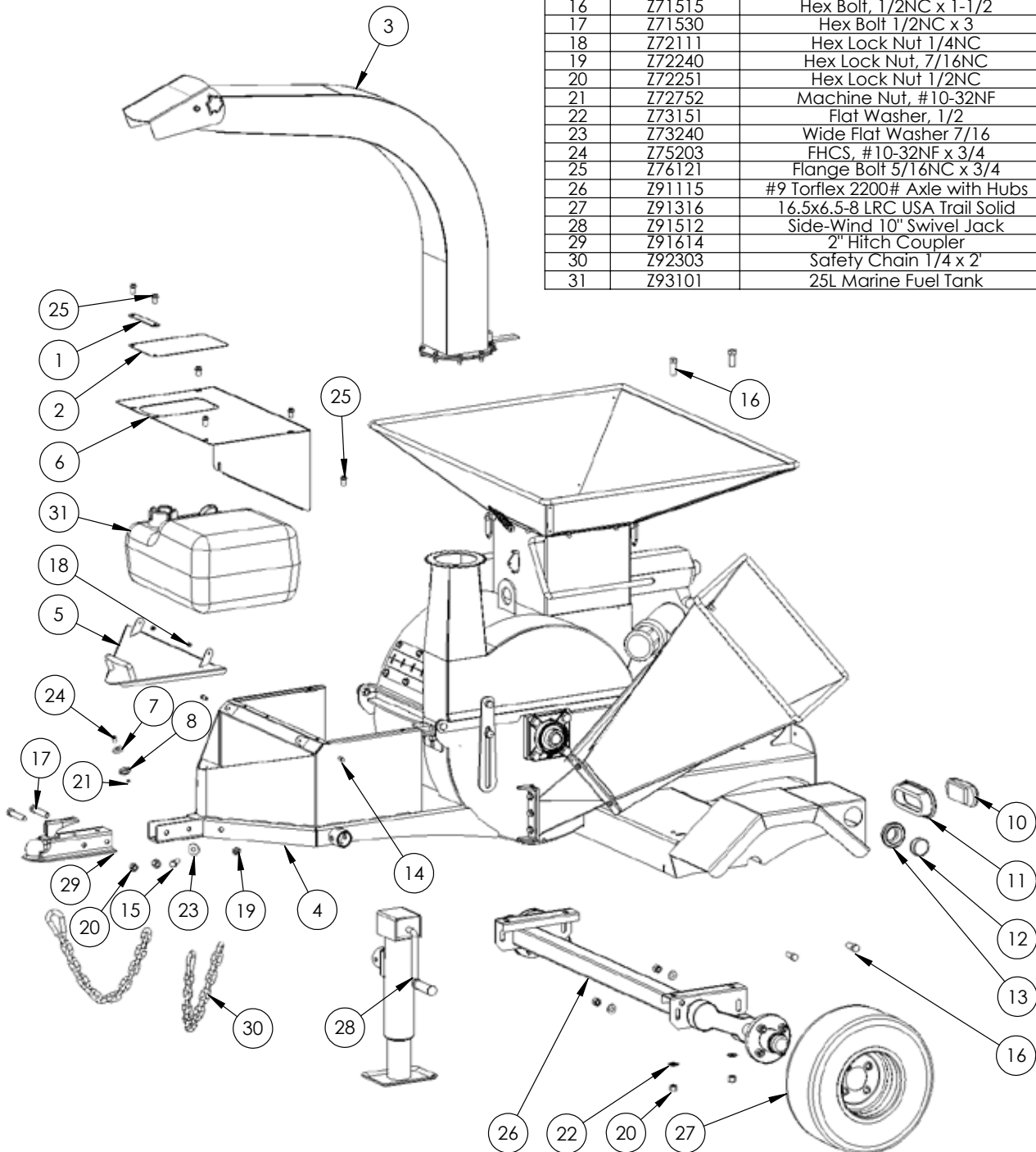
Reproduction of this parts manual of any kind is prohibited without prior written permission from EMB Mfg.

# Table of Contents

Main Parts	4
Rotor Housing	5
Driveline	7
Hub	8
Discharge Chute	9
Rotor	10
Wiring Diagram	11
Decals	12

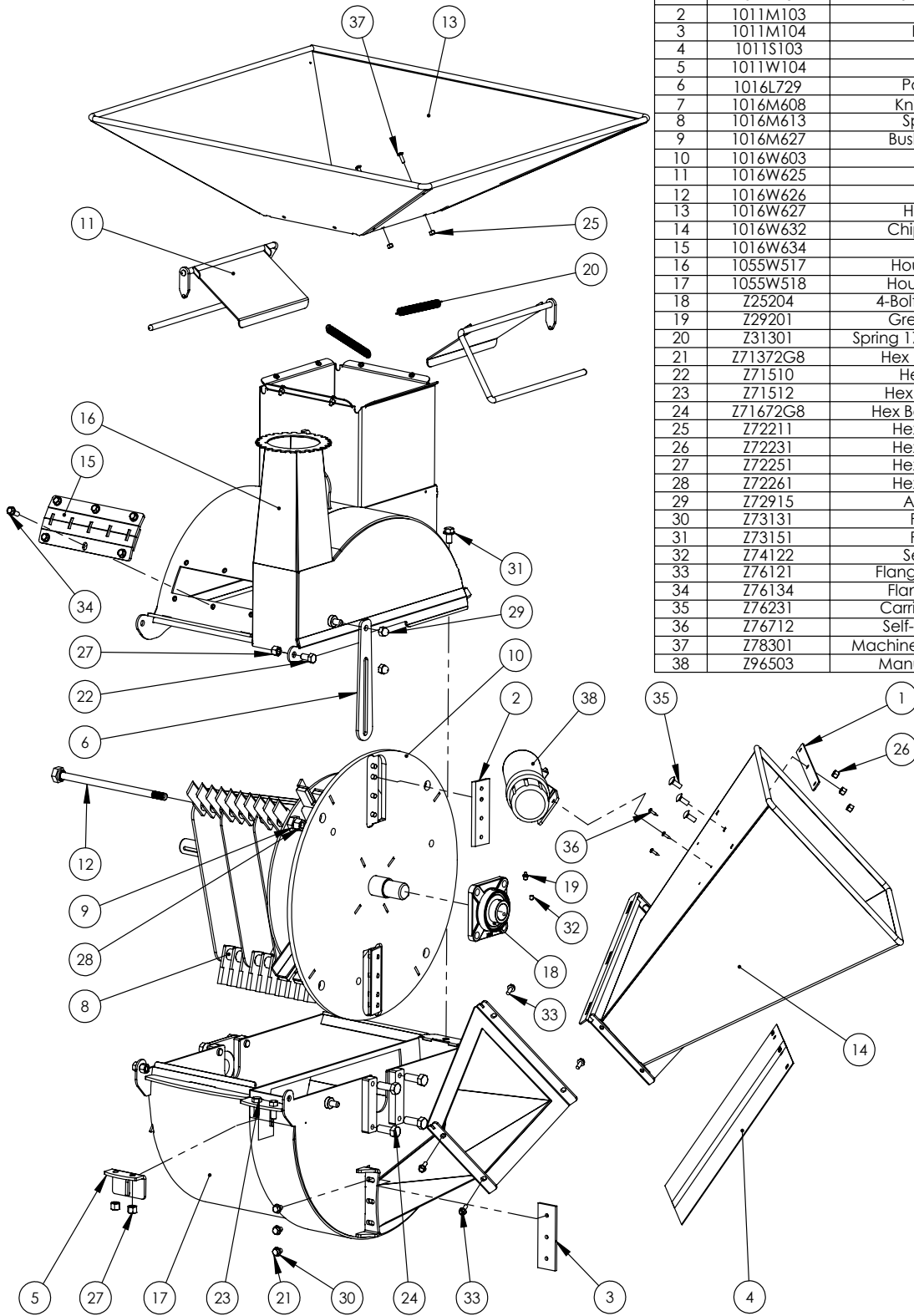
**BXMT42 MAIN PARTS BREAKDOWN**

ITEM	PART NO.	Description	QTY.
1	1052L124	Gas Flap Strap	1
2	1052S103	Flap, Fuel Tank	1
3	1055A502	Assembly, Discharge Chute	1
4	1055W503	Main Frame	1
5	1055W515	Tool Box Lid	1
6	1055W516	Fuel Bay Cover	1
7	Z19910	Puck Magnet, 1"	1
8	Z19911	Magnet Cup, 1"	1
9	Z47169	GX630-690 Muffler	1
10	Z61102	Oval Light 2-1/4 x 6-1/4, Red	2
11	Z61103	Oval Grommet 2-1/2 x 6.76	2
12	Z61201	Round Marker Lamp 2" Red	2
13	Z61202	Round Grommet 2" Lamp	2
14	Z71107	Hex Bolt 1/4NC x 3/4	2
15	Z71415	Hex Bolt 7/16NC x 1-1/2	2
16	Z71515	Hex Bolt, 1/2NC x 1-1/2	8
17	Z71530	Hex Bolt 1/2NC x 3	2
18	Z72111	Hex Lock Nut 1/4NC	2
19	Z72240	Hex Lock Nut, 7/16NC	2
20	Z72251	Hex Lock Nut 1/2NC	10
21	Z72752	Machine Nut, #10-32NF	1
22	Z73151	Flat Washer, 1/2	8
23	Z73240	Wide Flat Washer 7/16	2
24	Z75203	FHCS, #10-32NF x 3/4	1
25	Z76121	Flange Bolt 5/16NC x 3/4	7
26	Z91115	#9 Torflex 2200# Axle with Hubs	1
27	Z91316	16.5x6.5-8 LRC USA Trail Solid	2
28	Z91512	Side-Wind 10" Swivel Jack	1
29	Z91614	2" Hitch Coupler	1
30	Z92303	Safety Chain 1/4 x 2'	2
31	Z93101	25L Marine Fuel Tank	1

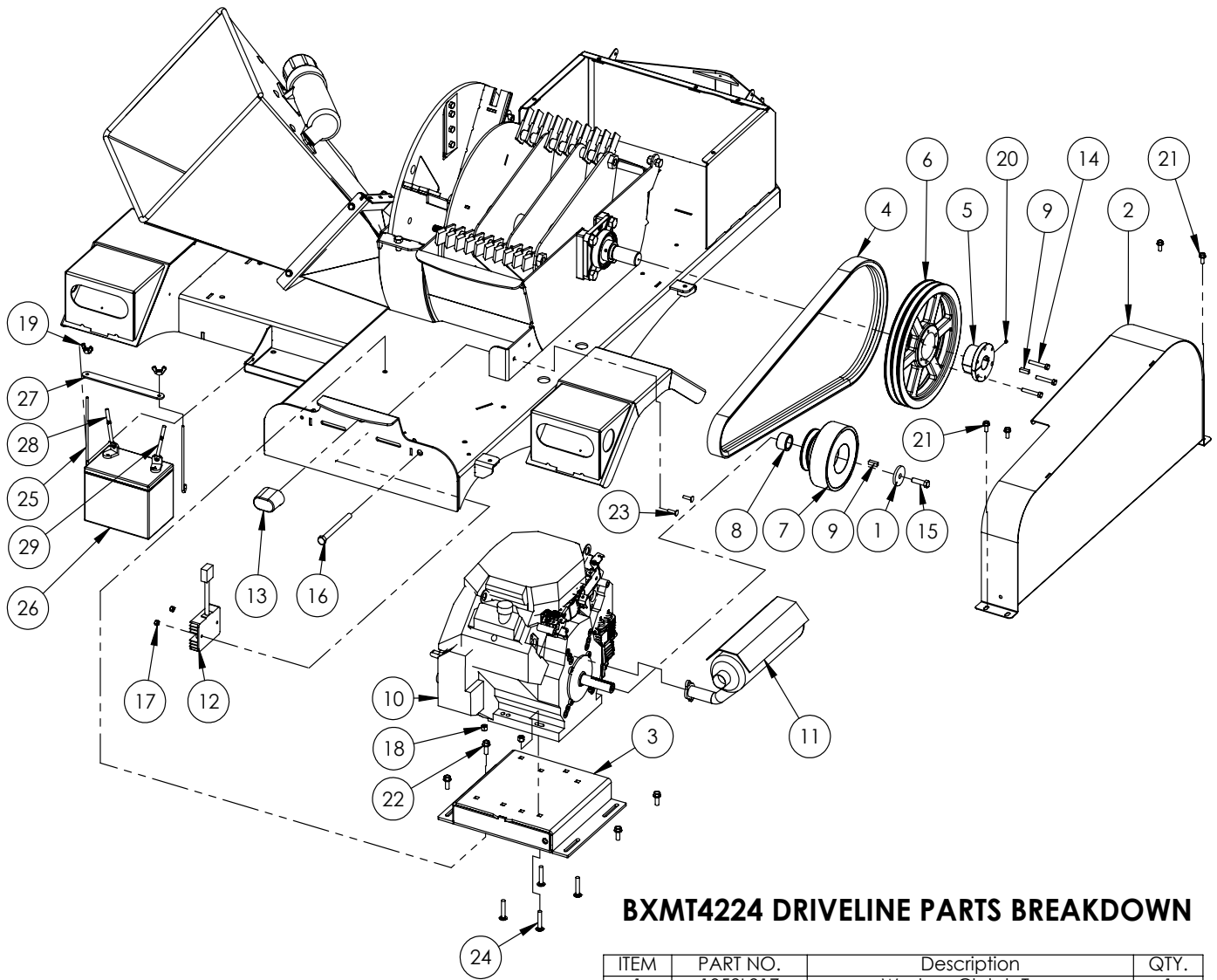


### BXMT4224 ROTOR HOUSING PARTS BREAKDOWN

ITEM	PART NO.	DESCRIPTION	QTY
1	1011L151	Strap, Hopper Flap	1
2	1011M103	Knife, 4" Rotor	2
3	1011M104	Knife, 4" Ledger	1
4	1011S103	Flap, Hopper	2
5	1011W104	Twig Breaker	1
6	1016L729	Positive Stop Plate	1
7	1016M608	Knife, BXM Shredder	30
8	1016M613	Spacer, Shredder	27
9	1016M627	Bushing, Retainer Rod	3
10	1016W603	Rotor	1
11	1016W625	Flapper	2
12	1016W626	Retainer Pin	3
13	1016W627	Hopper, Shredder	1
14	1016W632	Chipper Feed Hopper	1
15	1016W634	Chop Block	1
16	1055W517	Housing, Upper Rotor	1
17	1055W518	Housing, Bottom Rotor	1
18	Z25204	4-Bolt Bearing 1-1/2" Bore	2
19	Z29201	Grease Fitting, 1/8NPT	2
20	Z31301	Spring 17mm x 140mm Medium	2
21	Z71372G8	Hex Bolt, 3/8NF x 5/8 G8	11
22	Z71510	Hex Bolt, 1/2NC x 1	3
23	Z71512	Hex Bolt, 1/2NC x 1-1/4	2
24	Z71672G8	Hex Bolt, 5/8NF x 1-3/4 Gr8	8
25	Z72211	Hex Lock Nut, 1/4NC	8
26	Z72231	Hex Lock Nut, 3/8NC	3
27	Z72251	Hex Lock Nut, 1/2NC	4
28	Z72261	Hex Lock Nut, 5/8NC	3
29	Z72915	Acorn Nut, 1/2NC	2
30	Z73131	Flat Washer, 3/8	3
31	Z73151	Flat Washer, 1/2	1
32	Z74122	Set Screw, 5/16NF	4
33	Z76121	Flange Bolt, 5/16NC x 3/4	4
34	Z76134	Flange Bolt, 3/8NC x 1	6
35	Z76231	Carriage Bolt, 3/8NC x 1	3
36	Z76712	Self-tapping Screw #10	3
37	Z78301	Machine Screw, 1/4-20NC x 3/4	8
38	Z96503	Manual Tube 3-1/2 Short	1

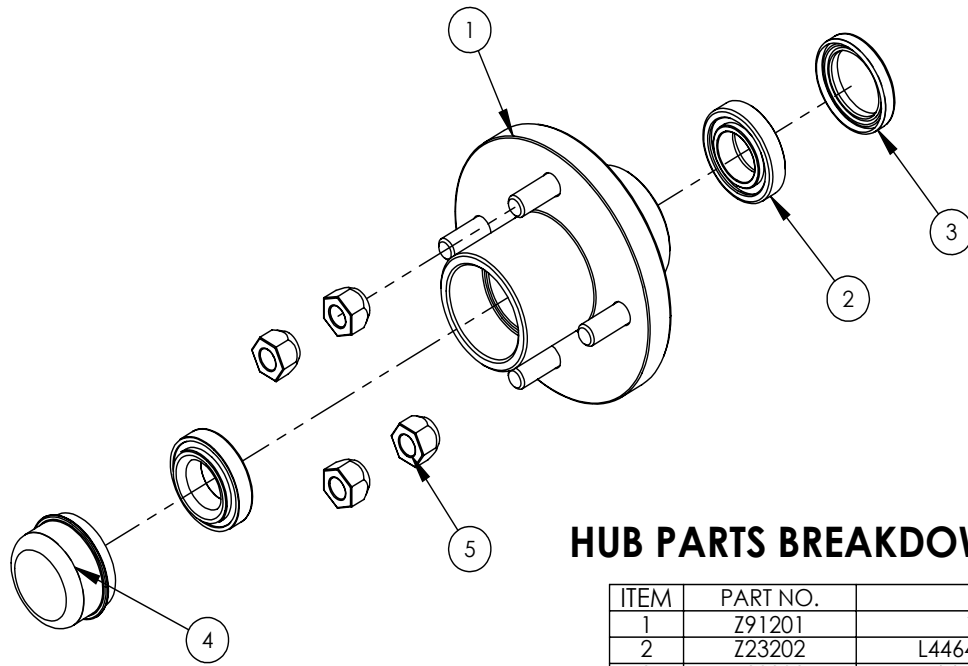


This Page is Intentionally Blank



**BXMT4224 DRIVELINE PARTS BREAKDOWN**

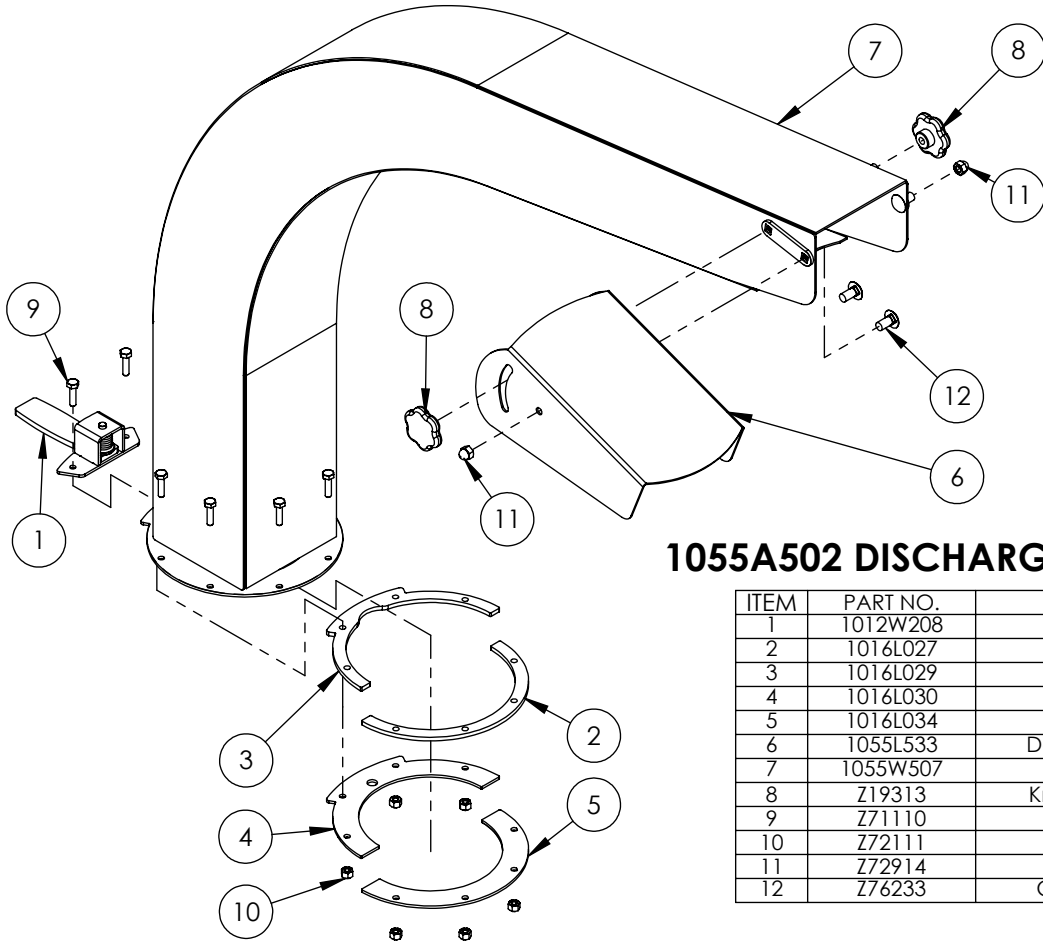
ITEM	PART NO.	Description	QTY.
1	1052L917	Washer, Clutch Trap	1
2	1055W510	Belt Shield	1
3	1055W514	Engine Mount	1
4	Z41259	Belt, Double "B" x 77"	1
5	Z41501	SK Bushing, 1-3/8 Bore	1
6	Z41702	Double "B" Sheave, 12.75" Pitch	1
7	Z41902	Clutch 1-1/8 Bore x Db "B" 3.9P	1
8	Z46353	Spacer 1-1/8ID x 1.065	1
9	Z46542	Key 5/16 x 5/16 x 1	2
10	Z47168	GX690 Honda 24hp Engine	1
11	Z47169	GX630-690 Muffler	1
12	Z47901	Regulator Rectifier	1
13	Z61301	License Lamp	1
14	Z71220	Hex Bolt 5/16NC x 2	3
15	Z71472	Hex Bolt 7/16NF x 1-1/2	1
16	Z71555	Hex Bolt 1/2NC x 5-1/2	1
17	Z72111	Hex Lock Nut 1/4NC	2
18	Z72231	Hex Lock Nut 3/8NC	4
19	Z72921	Wing Nut 1/4NF	2
20	Z74110	Set Screw 1/4NC	1
21	Z76121	Flange Bolt 5/16NC x 3/4	4
22	Z76134	Flange Bolt, 3/8NC x 1	4
23	Z76212	Carriage Bolt, 1/4NC x 1	2
24	Z76235	Carriage Bolt 3/8NC x 2	4
25	Z93202	J-Hook 1/4 x 7	2
26	Z93204	325 CCA Battery	1
27	Z93207	Hold-Down Strap, 1 x 8-1/2	1
28	Z93213	Battery Cable, Neg 36"	1
29	Z93214	Battery Cable, Pos 36"	1



### HUB PARTS BREAKDOWN (1-1/16" SPINDLE)

ITEM	PART NO.	DESCRIPTION	QTY
1	Z91201	1000# 4-Bolt Hub	1
2	Z23202	L44649 Cone, L44610 Cup	2
3	Z28302	Double Lip Seal 1-1/16 Spindle	1
4	Z91801	Dust Cap 1.98 Bore	1
5	Z72931	Lug Nut 1/2NF	4



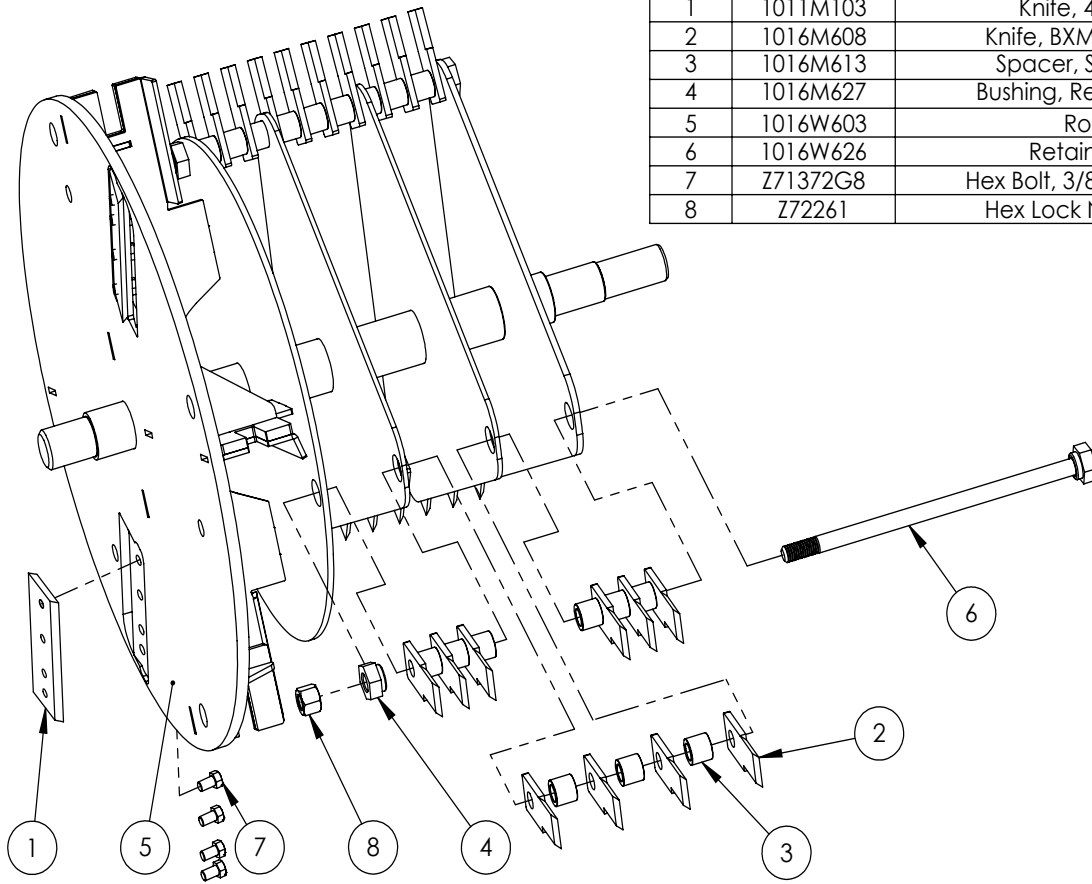


**1055A502 DISCHARGE CHUTE PARTS BREAKDOWN**

ITEM	PART NO.	DESCRIPTION	QTY
1	1012W208	Assembly, Hood Latch	1
2	1016L027	Plate, Spacer Ring	1
3	1016L029	Plate, Spacer Ring	1
4	1016L030	Plate, Hood Capture	1
5	1016L034	Plate, Hood Capture	1
6	1055L533	Deflector, Discharge Chute	1
7	1055W507	Discharge Chute	1
8	Z19313	Knob, 5/16NC Female Stud	2
9	Z71110	Hex Bolt 1/4NC x 1	8
10	Z72111	Hex Lock Nut 1/4NC	8
11	Z72914	Acorn Nut, 5/16NC	2
12	Z76233	Carriage Bolt 3/8NC x 3/4	4

### BXM42 ROTOR PARTS BREAKDOWN

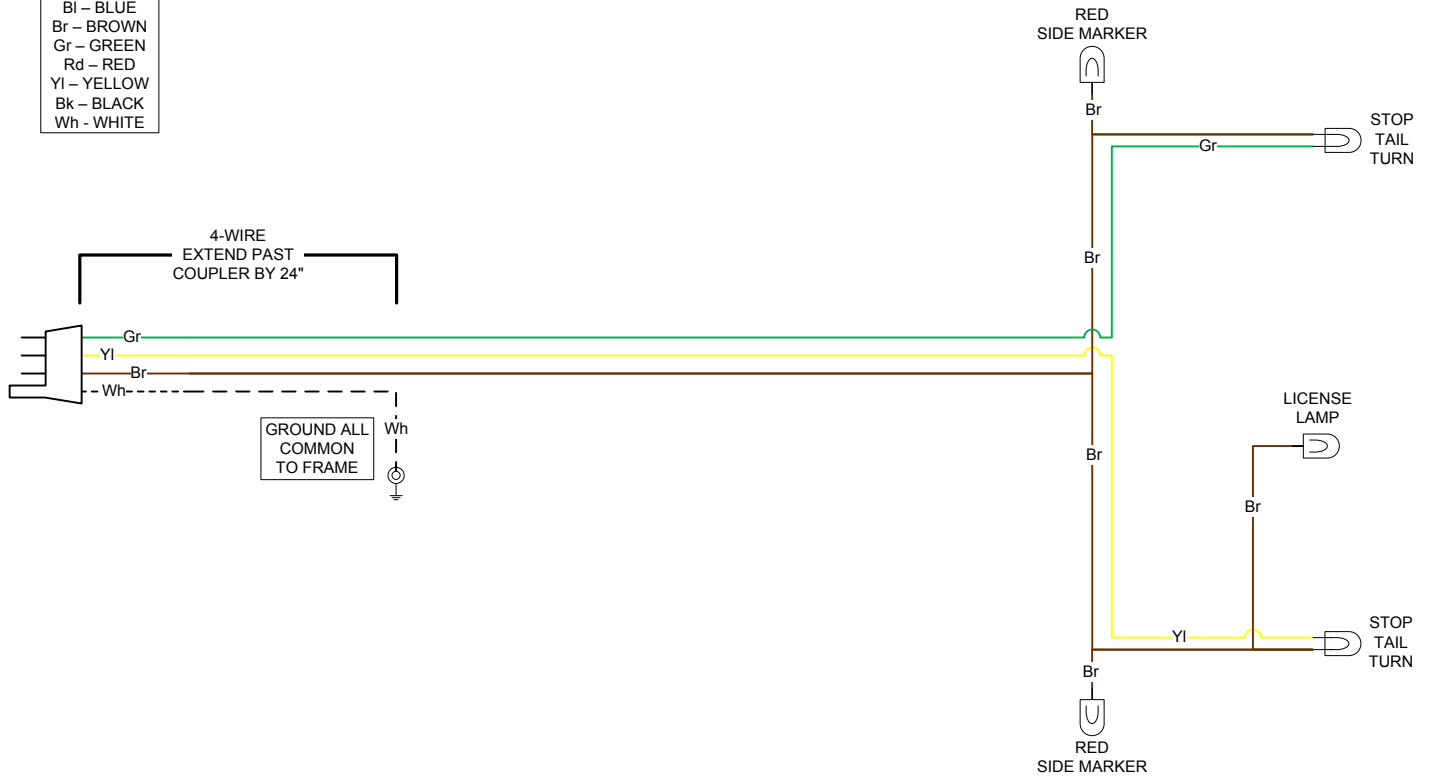
ITEM	PART NO.	Description	QTY.
1	1011M103	Knife, 4" Rotor	2
2	1016M608	Knife, BXM Shredder	30
3	1016M613	Spacer, Shredder	27
4	1016M627	Bushing, Retainer Rod	3
5	1016W603	Rotor	1
6	1016W626	Retainer Pin	3
7	Z71372G8	Hex Bolt, 3/8NF x 5/8 G8	8
8	Z72261	Hex Lock Nut 5/8NC	3



# BXMT42 WIRING

## RIGHT SIDE

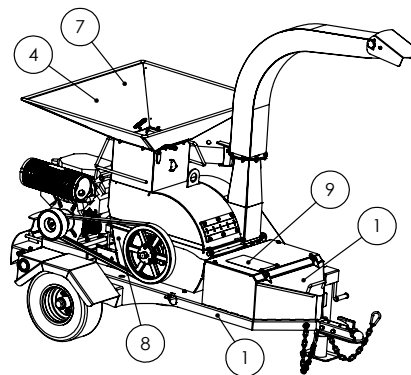
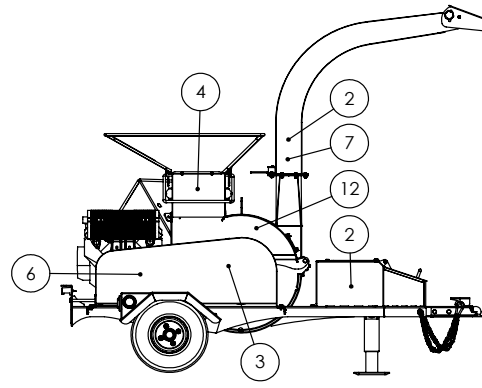
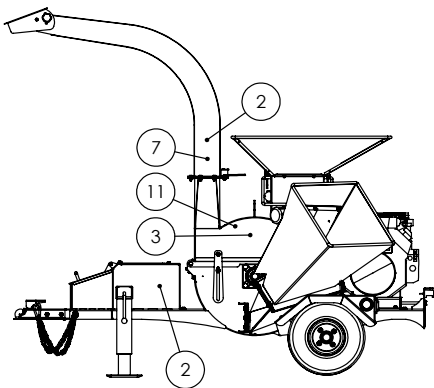
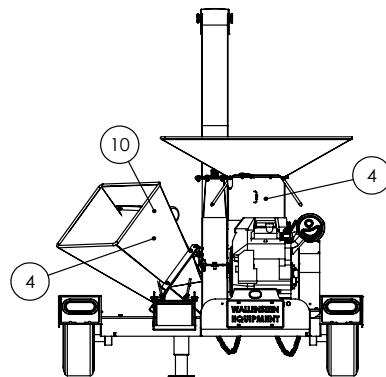
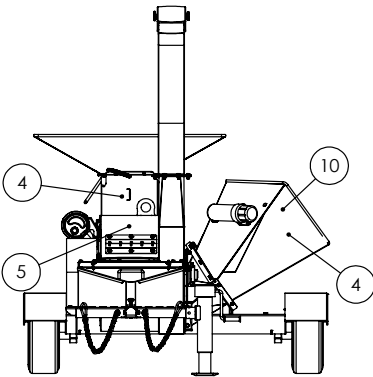
KEY	
Bl	- BLUE
Br	- BROWN
Gr	- GREEN
Rd	- RED
Yl	- YELLOW
Bk	- BLACK
Wh	- WHITE



## LEFT SIDE

### TWO PANEL BXMT42 DECAL BREAKDOWN

ITEM	PART NO.	DESCRIPTION	QTY
1	Z94056	WALLENSTEIN Decal	2
2	Z94019	1" Dia. Made In Canada	4
3	Z94064	BXMT4224 Decal	2
4	Z94120	DANGER - Rotating Blades	6
5	Z94119	CAUTION - Read Manual	1
6	Z94116	WARNING - Rotating Part Hazard	1
7	Z94117	DANGER - Thrown Object Hazard	3
8	Z94127	DANGER - Missing Guard	1
9	Z94115	NO SMOKING	1
10	Z94143	121 dB Noise Level	1
11	Z94144	RH Rotation	1
12	Z94145	LH Rotation	1



# Two Panel Decals BXMT42

Z94056



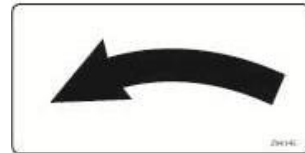
Z94019



Z94064



Z94145



Z94144



Z94119



Z94120



Z94143



Z94127



Z94116



Z94115

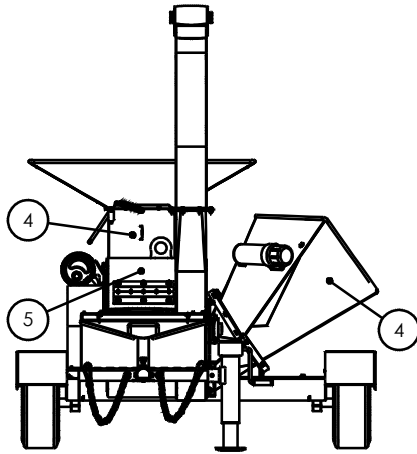


Z94117

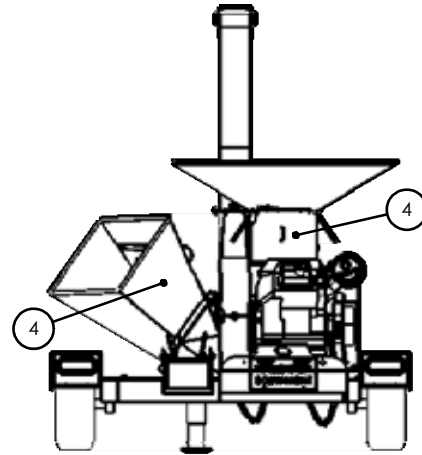


### BXMT42 DECAL BREAKDOWN

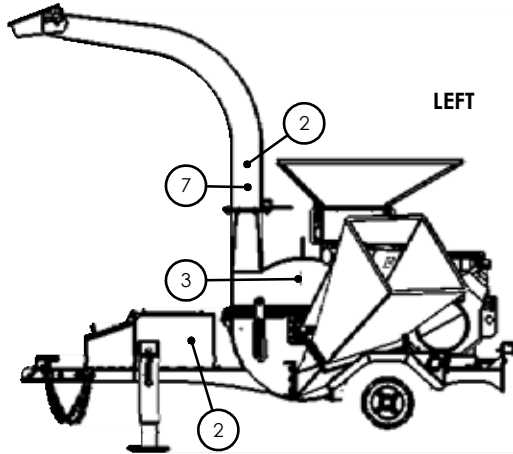
ITEM	PART NO.	DESCRIPTION	QTY
1	Z94056	WALLENSTEIN Decal	2
2	Z94019	1" Dia. Made In Canada	4
3	Z94064	BXMT4224 Decal	2
4	Z94007	DANGER - Rotating Blades	6
5	Z94006	CAUTION - Read Manual	1
6	Z94012	WARNING - Rotating Part Hazard	1
7	Z94008	DANGER - Thrown Object Hazard	3
8	Z94013	DANGER - Missing Guard	1
9	Z94115	NO SMOKING	1



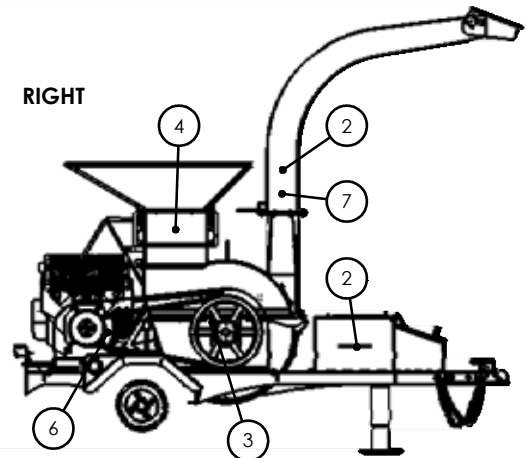
FRONT



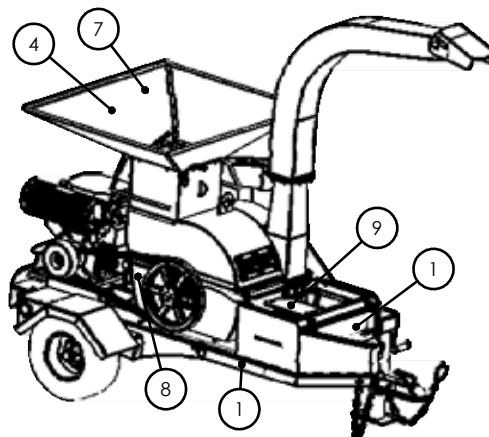
BACK



LEFT



RIGHT



# Decals BMXT42

Z94056



Z94061



Z94115



Z94006



Z94007



Z94013



Z94019



Z94012



Z94008





**WALLENSTEIN Products Manufactured by:**

**EMB MFG Inc.**

4144 Boomer Line  
St. Clements, Ontario  
Canada N0B 2M0  
Phone: 1-877-695-9283  
Fax: 519-699-4146  
[www.embmfg.com](http://www.embmfg.com)