

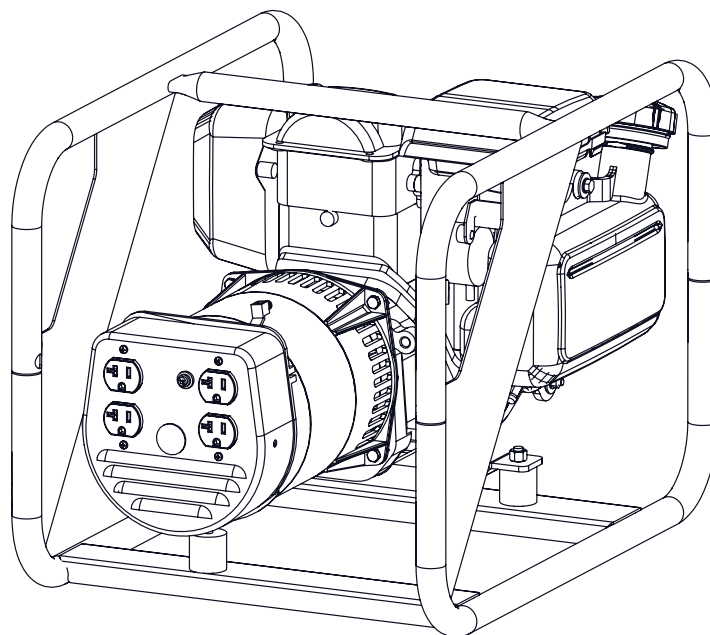


EMB Manufacturing Inc.  
4144 Boomer Line · St. Clements, On · N0B 2M0 · Canada  
Ph: (519) 699-9283 · Fax: (519) 699-4146  
www.embmfg.com

# WHC2500

## Generator Parts Manual

Starting with S/N's  
27000



Refer to the operators  
manual for safe  
operation and  
maintenance

## Foreword

EMB Mfg. has prepared this parts manual to assist customers in ordering quality OEM replacement parts.

Proper and regular service and replacing old, worn or broken parts with the correct OEM parts are essential to prolonging the life of your EMB product. Please refer to this manual before ordering any replacement parts.

All information contained in this parts manual is based on the latest product specification available at the time of printing this manual. If your product differs from the specifications contained within this manual contact EMB Mfg. for information.

EMB reserves the right to alter specifications on their products at any time.

Reproduction of this parts manual of any kind is prohibited without prior written permission from EMB Mfg.

For parts and information please contact your dealer. If your dealer is no longer available please go to our website: <http://www.embmfg.com> and click on "FIND A DEALER NEAR YOU" for information on a local dealer.

## Table of Contents

**Bolt Torque..... 4**  
**WHC2500 Main Assembly..... 5**  
**End Cap Assembly ..... 6**  
**Wiring Diagram ..... 7**  
**Label Layout..... 8**  
**Accessories..... 9**

Alternator: Mecc Alte Inc. S15W-## Below are alternator parts available from Wallenstein. For other parts and maintenance or repair information please refer to the Mecc Alte alternator manual that shipped with the generator.			
1	Non Drive End Bracket	0390302217	
2	Fan	0391700138	
3	Rear Bearing 6203-2ZC3	0390302530	
4	Diode	9910356205	
5	Varistor	9910384005	
6	Capacitor # :see chart below		
Find the value of the capacitor in your alternator, and match it to the list shown here for the correct order part number.		GECAP14MF	14 MF CAPACITOR
		GECAP16MF	16 MF Capacitor
		GECAP18MF	Capacitor, 18 MFZ
		GECAP20MF	Capacitor 20MFZ
		GECAP25MF	Capacitor 25MFZ
		GECAP31MF	Capacitor, 31.5 MFZ
		GECAP35MF	35 MF CAPACITOR
		GECAP40MF	40 MF CAPACITOR

Alternator maintenance should be performed by trained personnel only.



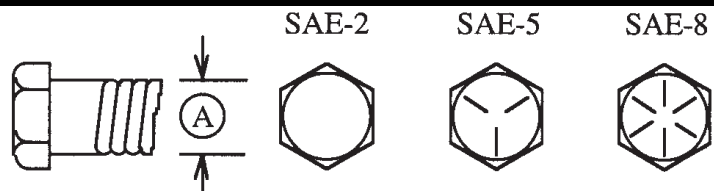
Exercise extreme caution when working with exposed wiring of the alternator, be aware that high voltage discharge of the capacitor is a danger.

**Bolt Torque**

**CHECKING BOLT TORQUE**

The tables shown below give correct torque values for various bolts and capscrews. Tighten all bolts to the torques specified in chart unless otherwise noted. Check tightness of bolts periodically, using bolt torque chart as a guide. Replace hardware with the same strength bolt.

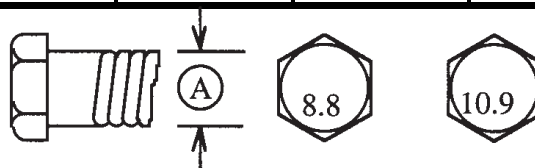
ENGLISH TORQUE SPECIFICATIONS						
Bolt Diameter "A"	Bolt Torque*					
	SAE 2 (N.m) (lb-ft)		SAE 5 (N.m) (lb-ft)		SAE 8 (N.m) (lb-ft)	
1/4"	8	6	12	9	17	12
5/16"	13	10	25	19	36	27
3/8"	27	20	45	33	63	45
7/16"	41	30	72	53	100	75
1/2"	61	45	110	80	155	115
9/16"	95	60	155	115	220	165
5/8"	128	95	215	160	305	220
3/4"	225	165	390	290	540	400
7/8"	230	170	570	420	880	650
1"	345	225	850	630	1320	970



Torque figures indicated above are valid for non-greased or non-oiled threads and heads unless otherwise specified. Therefore, do not grease or oil bolts or capscrews unless otherwise specified in this manual. When using locking elements, increase torque values by 5%.

\* Torque value for bolts and capscrews are identified by their head markings.

METRIC TORQUE SPECIFICATIONS				
Bolt Diameter "A"	Bolt Torque*			
	8.8 (N.m) (lb-ft)		10.9 (N.m) (lb-ft)	
M3	0.5	0.4	1.8	1.3
M4	3	2.2	4.5	3.3
M5	6	4	9	7
M6	10	7	15	11
M8	25	18	35	26
M10	50	37	70	52
M12	90	66	125	92
M14	140	103	200	148
M16	225	166	310	229
M20	435	321	610	450
M24	750	553	1050	774
M30	1495	1103	2100	1550
M36	2600	1917	3675	2710

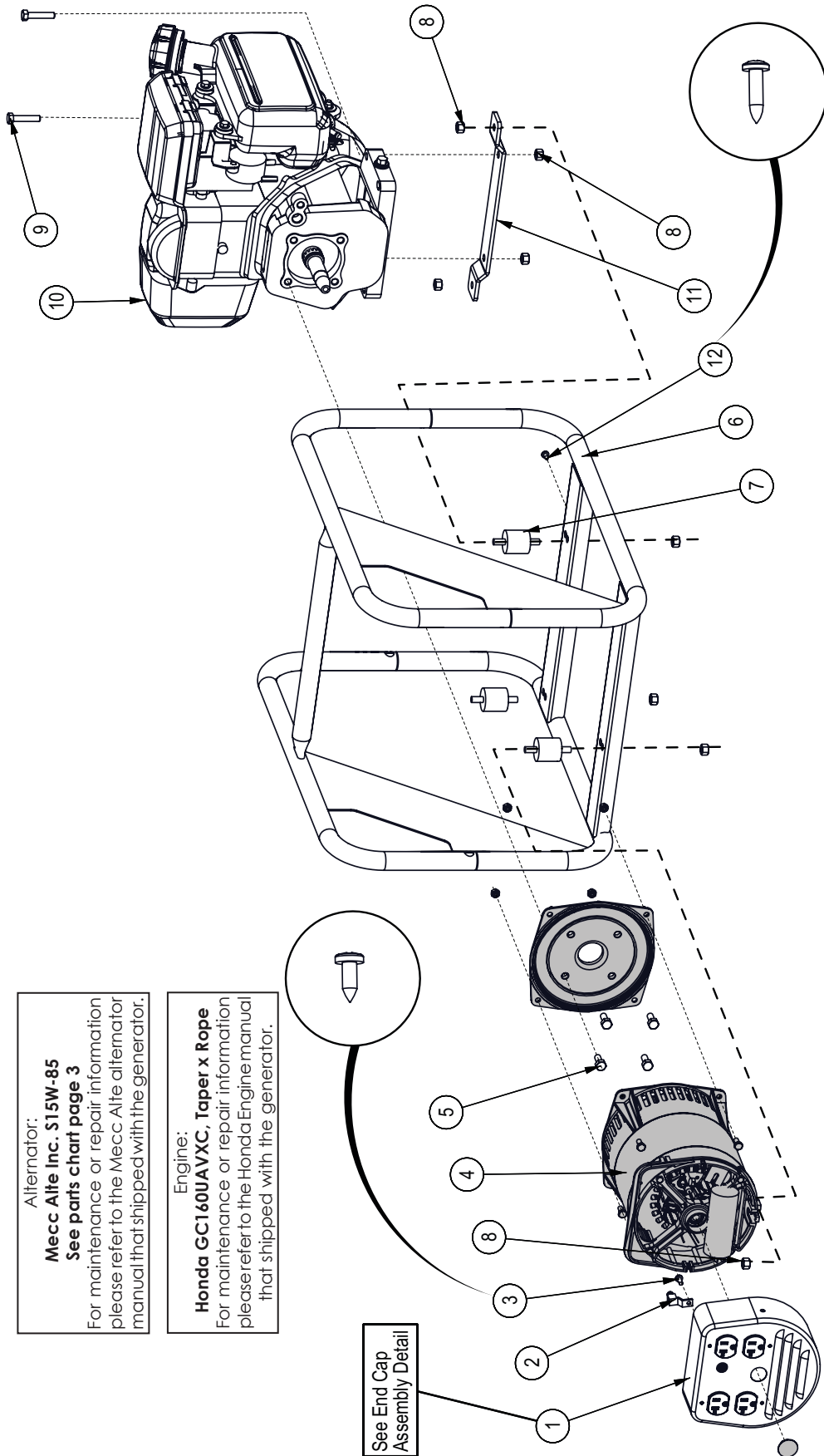


**WHC2500 Main Assembly**

Alternator:  
**Mecc Alte Inc. S15W-85**  
 See parts chart page 3  
 For maintenance or repair information please refer to the Mecc Alte alternator manual that shipped with the generator.

Engine:  
**Honda GC160UAVXC, Taper x Rope**  
 For maintenance or repair information please refer to the Honda Engine manual that shipped with the generator.

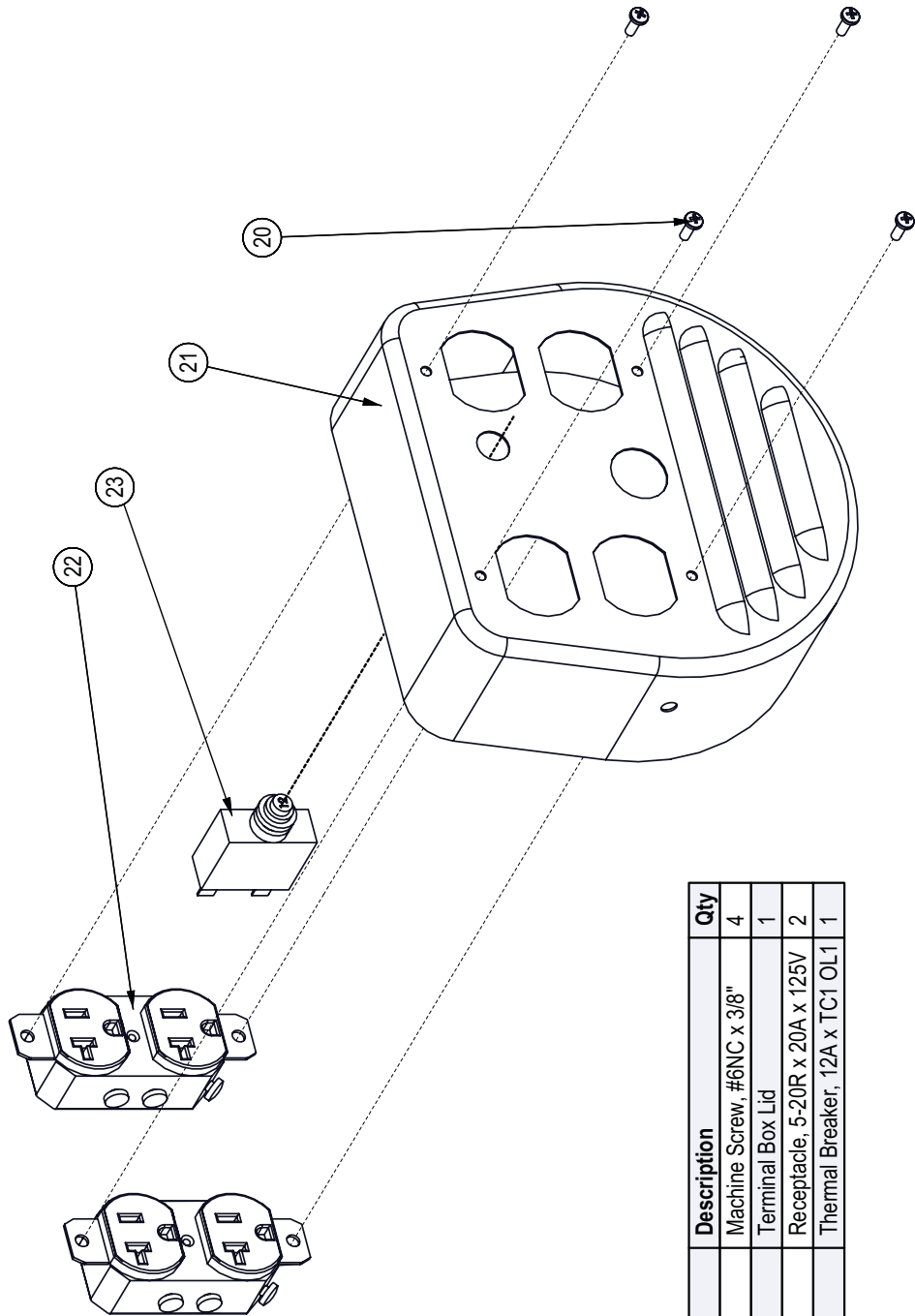
See End Cap Assembly Detail



BOM ID	Part No.	Description	Qty
1	Z65423	Terminal Box Lid	1
2	Z62711	Grounding Terminal, 6-14	1
3	Z78303	Machine Screw, #10NF x 1/2"	1
4	Z65401	Alternator, 2.9 kVA	1
5	Z71273	Hex Bolt, 5/16NF x 3/4"	4
6	4067W001	Generator Frame	1
7	Z79931	Isolator, 1-1/4" Dia x 1-1/4" x 5/16NC	3

BOM ID	Part No.	Description	Qty
8	Z72221	Hex Lock Nut, 5/16NC	8
9	Z71215	Hex Bolt, 5/16NC x 1-1/2"	2
10	Z47307	Honda GC160UAVXC, Taper x Rope	1
11	4011L103	Bracket, Engine Mount	1
12	Z76711	Self-tapping Screw, #10 x 1/2"	1

**End Cap Assembly**



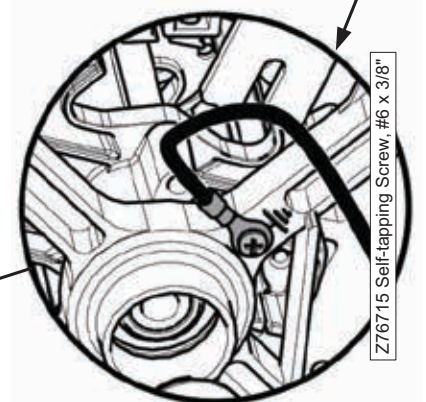
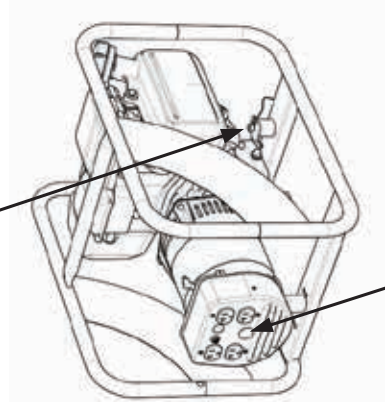
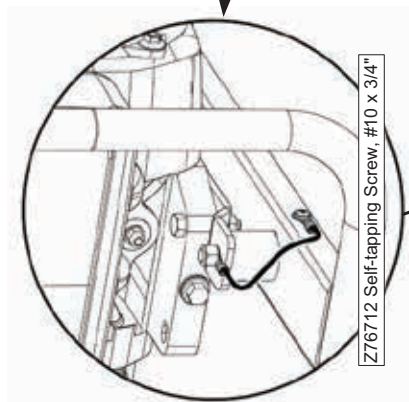
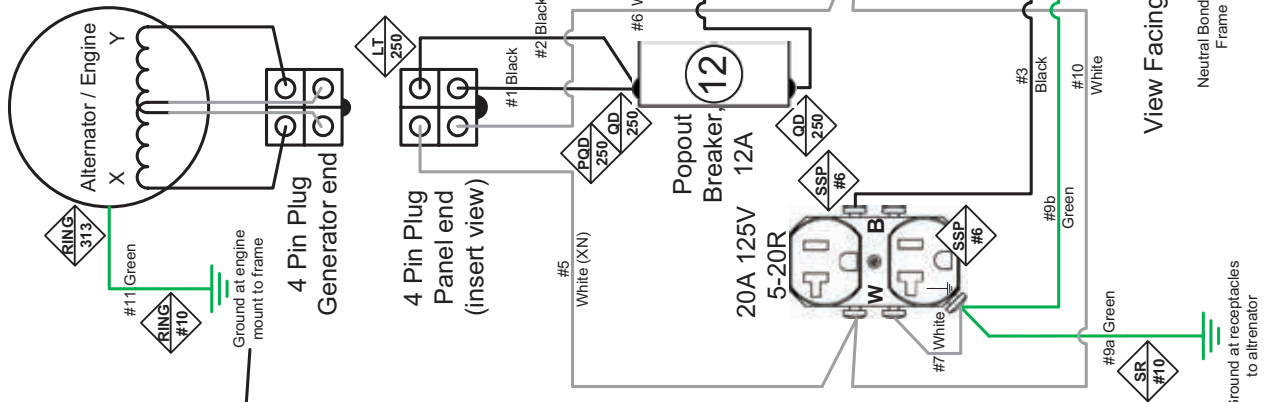
BOM ID	Part No.	Description	Qty
20	Z78304	Machine Screw, #6NC x 3/8"	4
21	Z65423	Terminal Box Lid	1
22	Z63406	Receptacle, 5-20R x 20A x 125V	2
23	Z62602	Thermal Breaker, 12A x TC1 OL1	1

**Wiring Diagram**

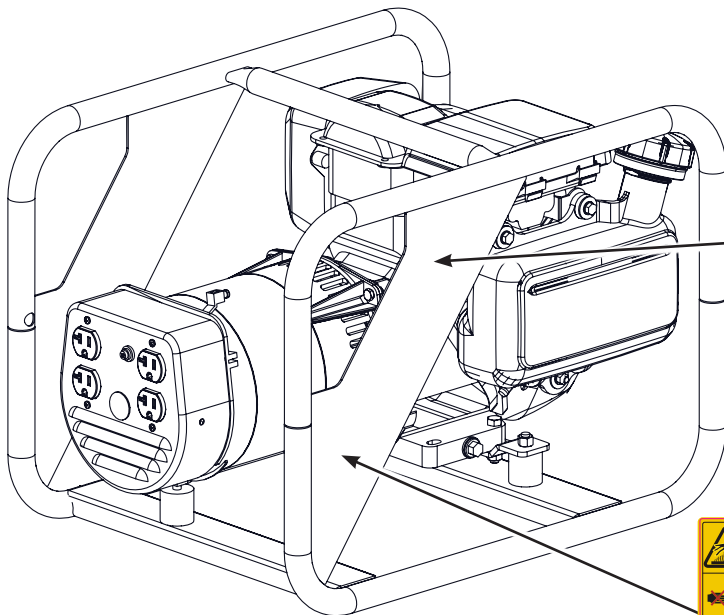
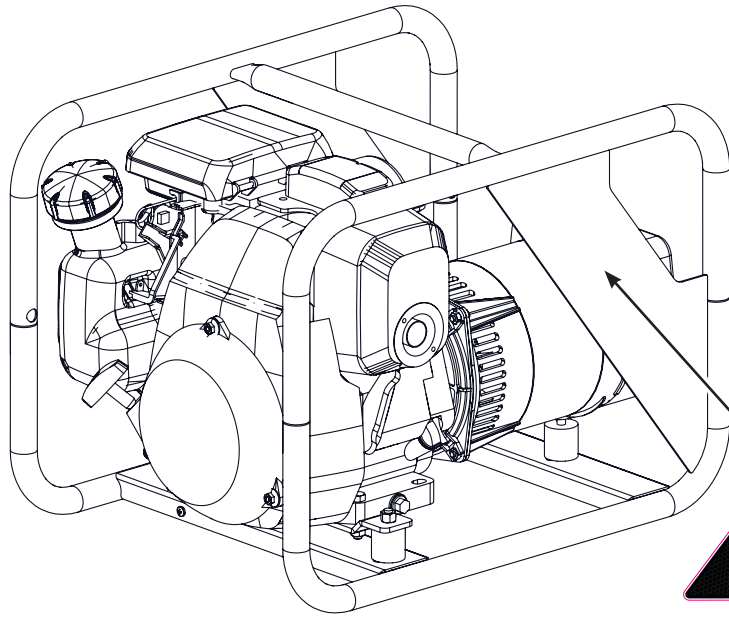
Connection Identification	
Connection Type	Sizes:
QD	Male/Female Quick Disconnect #6
SR	Serrated Ring #8
SSP	Snap Spade #10
FOD	Flag Quik Disconnect 0.156"
PQD	Piggy Back Quik Disconnect 0.250"
STRP	Strip 0.313"
SPDE	Spade 0.500"
RING	Ring 0.750"
HOOK	Hook
BLLT	Male/Female Bullet
LT	Lock Tab

Connection Type	Connection Size
QD	250



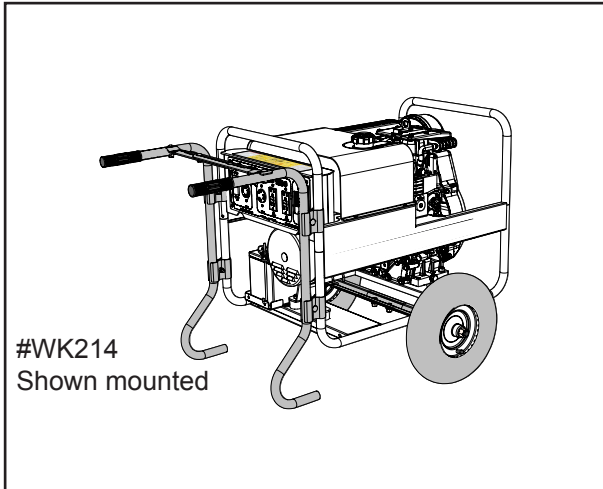
**Label Layout**





**Accessories**

Call your dealer for pricing and availability



#WK214  
Shown mounted

#WK210 TWO WHEEL KIT WITH 10" TIRES  
#WK214 TWO WHEEL KIT WITH 14" TIRES

A must have add on kit for true portability!  
Kit consist of handles and axle with tires The kit is easy to install and simply clamps on to the existing frame.



**#Z97096 GENERATOR OPERATOR'S MANUAL**

Available as a download at [www.wallensteinequipment.com](http://www.wallensteinequipment.com)