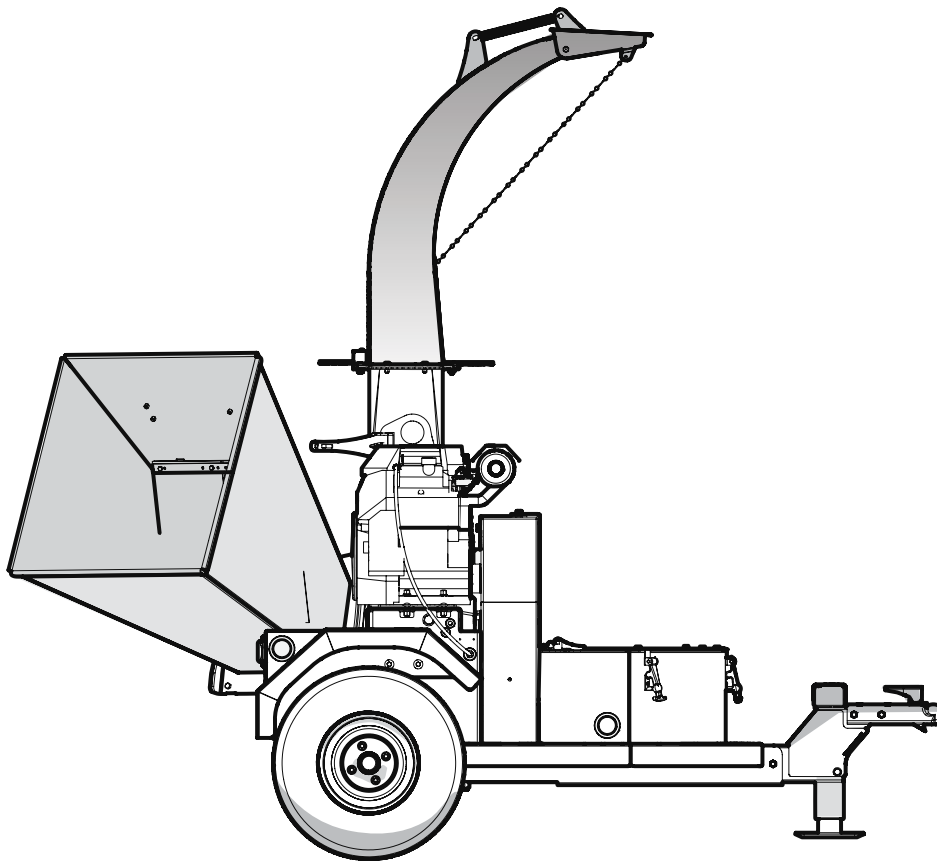


OPERATOR'S MANUAL

BXT Series **Trailer Wood Chippers**



1. Foreword

1.1 Introduction

Congratulations on your choice of a **Wallenstein Trailer Self-feed Chipper!**

The BXT Chippers are strong, rugged machines that can provide consistent chipping of materials. These chippers have a gas engine with a centrifugal clutch that transmits power through a V-belt drive to power the rotor. The rotor blades turn the wood into chips as the blades pass a stationary blade. A twig breaker helps to generate wood chips as the rotor turns past it.

This manual covers the following Wallenstein models:

- BXT4213** Honda® GX390, 11.7 hp (8.7 kW)
- BXT4224** Honda® GX690, 22 hp (16.5 kW)
- BXT6224** Honda® GX690, 22 hp (16.5 kW)
- BXT6238** Kohler® CH980, 35 hp (26.1 kW)

Safe, efficient and trouble-free operation of this Wallenstein product requires anyone that uses the machine reads and understands the Safety, Operation, Maintenance information contained within the Operator's Manual.

Keep this manual handy for frequent reference and to pass on to new operators or owners. Call your Wallenstein dealer or the Distributor if you need assistance, information or additional copies of the manuals.

Units of measurement in Wallenstein Equipment technical manuals are written as:
US Customary (SI metric)

WARNING!

Do not attempt to start or operate the machine without thoroughly reviewing this manual for safe and proper operation.

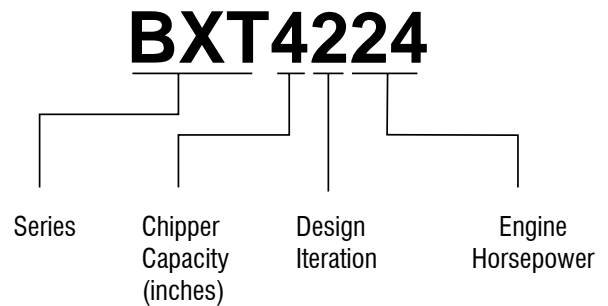
Always keep this manual with the machine.

W034

Wallenstein Equipment Inc. • © 2020. All rights reserved.

No part of this work may be copied, reproduced, replaced, distributed, published, displayed, modified, or transferred in any form or by any means except with the prior permission of Wallenstein Equipment Inc.

Model Configuration



 WARNING
Cancer and Reproductive Harm www.P65Warnings.ca.gov
 ADVERTENCIA
Cáncer y Daño Reproductivo www.P65Warnings.ca.gov

Table of Contents

1. Foreword	2	8. Trouble Shooting	42
1.1 Introduction	2	9. Specifications	43
1.2 Delivery Inspection Report.....	4	9.1 Mechanical.....	43
1.3 Serial Number Location	5	9.2 Common Bolt Torque Values.....	44
1.4 Types of Decals on the Machine	6	9.3 Wheel Lug Torque	45
2. Safety	7	10. Product Warranty.....	46
2.1 Safety Alert Symbol	7	11. Index.....	47
2.2 Signal Words	7		
2.3 Why Safety is Important.....	7		
2.4 Safety Rules	7		
2.5 Equipment Safety Guidelines	8		
2.6 Safe Condition	8		
2.7 Safety Training.....	8		
2.8 Being Prepared.....	9		
2.9 Refueling Safety	9		
2.10 Tire Safety	9		
2.11 Battery Safety	9		
2.12 Gas Engine Safety.....	10		
3. Safety Signs on the Machine.....	12		
3.1 Locations	12		
3.2 Safety Sign Explanations.....	14		
4. Machine Components	18		
5. Controls	19		
5.1 Engine.....	19		
5.2 BXT4224 & BXT6224 Engine Controls.....	21		
5.3 BXT6238 Engine Controls	22		
5.4 Hour Meter	23		
5.5 Ball and coupler	24		
6. Operating Instructions	25		
6.1 Operating Safety.....	25		
6.2 Before Startup.....	26		
6.3 Machine Break-In.....	26		
6.4 Machine Set-Up	27		
6.5 Starting Procedure.....	28		
6.6 Stopping.....	28		
6.7 Emergency Stopping	28		
6.8 Chipping Operation.....	29		
6.9 Transporting.....	32		
6.10 Storage	33		
7. Service and Maintenance.....	34		
7.1 Maintenance Safety	34		
7.2 Fluids and Lubricants.....	34		
7.3 Maintenance Schedule	35		
7.4 Grease Points	36		
7.5 Maintenance	37		
7.6 Belt Tension.....	38		
7.7 Ledger Blades:.....	41		
7.8 Twig Breaker:.....	41		

1.2 Delivery Inspection Report

Wallenstein BXT Series Trailer Chipper

To activate warranty, register your product at: www.wallensteinequipment.com

This form must be filled out by the dealer at the time of delivery, then signed by the dealer and customer.

The product manuals have been received by me and I have been thoroughly instructed as to care, adjustments, safe operation, and applicable warranty policy.

I have thoroughly instructed the buyer on the equipment care, adjustments, safe operation and applicable warranty policy and reviewed the manuals.

_____	_____
Customer	Dealer
_____	_____
Address	Address
_____	_____
City, State/Province, ZIP/Postal Code	City, State/Province, ZIP/Postal Code
()	()
_____	_____
Phone Number	Phone Number

Contact Name	

Model	

Serial Number	

Delivery date	

1.2.1 Dealer Inspection

- _____ Check Blade Clearance and Rotor Turns Freely
- _____ Check Cutting Blades, Twig Breaker
- _____ Discharge and Deflector Move Freely
- _____ All Fasteners are Tight
- _____ Machine Lubricated
- _____ Check Engine Oil Level
- _____ Check Pressure in Tires
- _____ Belt Tension Checked

Safety Checks

- _____ All Safety Decals Installed
- _____ Guards and Shields Installed and Secured
- _____ Safety Chain on Hitch
- _____ Operating and Safety Instructions Reviewed

1.3 Serial Number Location

Always give your dealer the serial number of your Wallenstein Trailer Wood Chipper and Feed Hopper when ordering parts or requesting service or other information.

The serial number plate is located where indicated. Model BXT6238 is shown but the location of the plate is the same across all models covered in this manual. Please mark the numbers in the spaces provided for easy reference.

Record Product Information Here	
Model:	
Serial Number:	

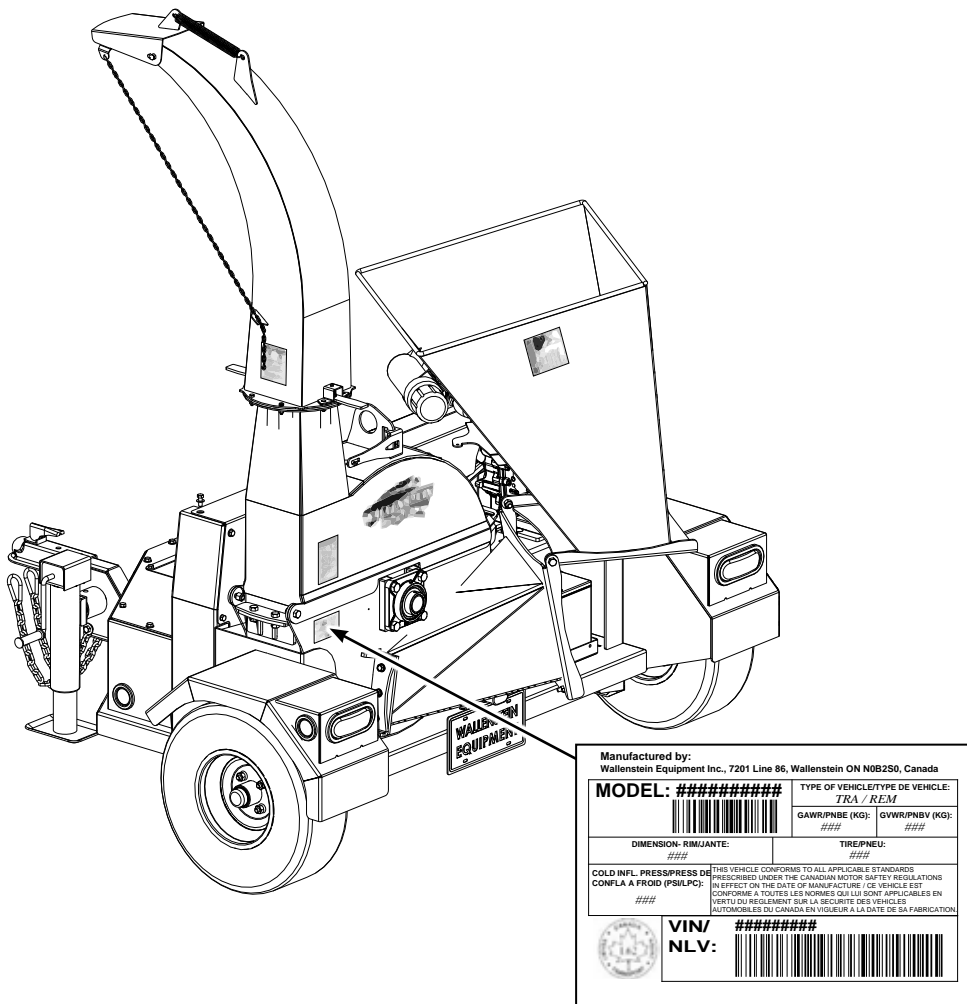


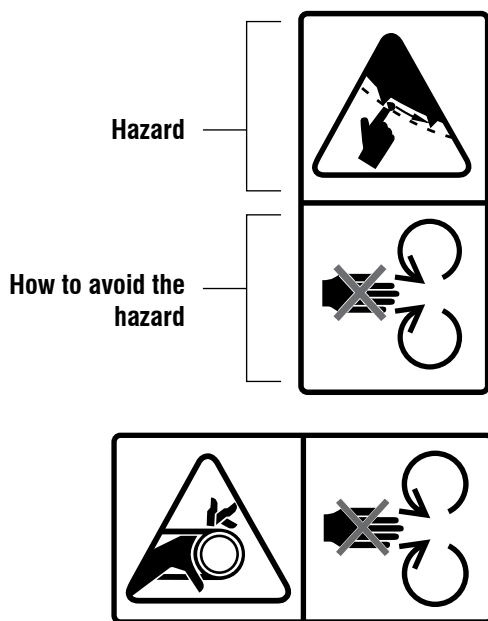
Fig. 1 – Serial Number Location (typical)

1.4 Types of Decals on the Machine

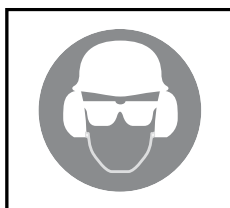
When getting familiar with the Wallenstein product, notice that there are numerous decals located on the machine. There are different types of decals for safety, information, and product identification. The following section explains what they are for and how to read them.

Safety Decals have a yellow background and are generally two panel. They can be either vertical or horizontal.

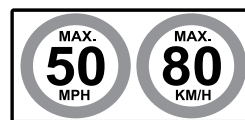
The top (or left-hand) panel shows the safety alert (the potential hazard), and the bottom (or right-hand) panel shows the message (how to avoid the hazard).



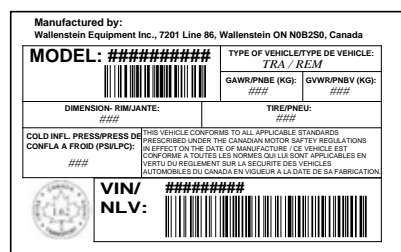
Safety Notice Decals are blue with a white background and generally rectangular with single or multiple symbols. This decal informs what Personal Protective Equipment is required for safe operation.



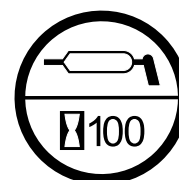
Informative Decals are generally pictorial with a white background and can vary in the number of panels. This type of decal provides additional information to the operator or explains the operation of a control.



Product Decals indicate machine model and serial number, and other important information.



Maintenance Decals have a green background and can vary to the number of panels. This decal shows a type maintenance required and frequency interval.



See the section on safety signs for safety decal definitions. For a complete illustration of decals and decal locations, download the parts manual for your model product at www.wallensteinequipment.com.

2. Safety

2.1 Safety Alert Symbol

This Safety Alert Symbol means:

ATTENTION! BE ALERT!

YOUR SAFETY IS INVOLVED!

The Safety Alert Symbol identifies important safety messages on the Wallenstein Wood Processor and in the manual.

When you see this symbol, be alert to the possibility of personal injury or death. Follow the instructions in the safety message.



2.2 Signal Words

The signal words **DANGER**, **WARNING** and **CAUTION** determine the seriousness level of the warning messages in this manual. The appropriate signal word for each message in this manual has been selected using the following guidelines:

DANGER –

Indicates an imminently hazardous situation that, if not avoided, **will** result in death or serious injury. This signal word is to be limited to the most extreme situations typically for machine components which, for functional purposes, cannot be guarded.

WARNING –

Indicates a potentially hazardous situation that, if not avoided, **could** result in death or serious injury, and includes hazards that are exposed when guards are removed. It may also be used to alert against unsafe practices.

CAUTION –

Indicates a potentially hazardous situation that, if not avoided, **may** result in minor or moderate injury. It may also be used to alert against unsafe practices.

IMPORTANT – To avoid confusing equipment protection with personal safety messages, a signal word **IMPORTANT** indicates a situation that if not avoided, could result in damage to the machine.

2.3 Why Safety is Important

Three Big Reasons:

- **Accidents Disable and Kill**
- **Accidents Cost**
- **Accidents Can Be Avoided**

YOU are responsible for the SAFE operation and maintenance of your Wallenstein product. **YOU** must make sure that anyone who is going to use, maintain or work around the machine is familiar with the operating and maintenance procedures and related **SAFETY** information contained in this manual. This manual alerts you to all good safety practices that should be used while using your Wallenstein equipment.

YOU are the key to safety. Good safety practices not only protect you but also the people around you. Make these practices a working part of your safety program. Be certain that **EVERYONE** using this equipment is familiar with the recommended operating and maintenance procedures and follows all the safety precautions.

Do not risk injury or death by ignoring good safety practices.

2.4 Safety Rules

- Provide operating instructions to all employees before allowing them to operate the machine.



- Read and understand ALL Safety and Operating instructions in the manual and follow them. The most important safety device on this equipment is a SAFE operator.
- Review safety related items annually with all personnel who will be operating or performing maintenance.

- Wear appropriate Personal Protective Equipment (PPE) when using this machine. This includes but is not limited to:
 - A hard hat
 - Heavy gloves
 - Hearing Protection
 - Protective shoes with slip resistant soles
 - Protective glasses, goggles or face shield
- Keep a first-aid kit available for use should the need arise and know how to use it.



- Inspect and secure all guards before starting.
- Keep a fire extinguisher available for use should the need arise and know how to use it.
- **DO** think SAFETY! Work SAFELY!
- **DO NOT** expect a person who has not read and understood all use and safety instructions to operate the machine. An untrained operator is not qualified and exposes himself and bystanders to possible serious injury or death. It is the owner's responsibility to the operator to ensure familiarity and understanding of the machine.
- **DO NOT** allow riders during transport.
- **DO NOT** risk injury or death by ignoring good safety practices.



2.5 Equipment Safety Guidelines

Operating machines safely is one of the main concerns in designing and developing Wallenstein equipment. However, accidents could occur that can be avoided by a few seconds of thought and a more careful approach to handling equipment.

- Keep all shields in place. If shield removal becomes necessary for repairs, replace the shield prior to use. In some cases, certain illustrations in this manual may show an assembly with a safety shield removed for clarity. However, equipment should never be used in this condition.
- Replace any safety sign or instruction sign that is not readable or is missing. Location and explanation of safety signs start on *page 14*.
- Never consume alcoholic beverages or drugs while using this equipment. These can hinder alertness or coordination. Consult your doctor about using this machine while taking prescription medications.

- Do not modify the equipment in any way. Unauthorized modification may result in serious injury or death and may impair the function and life of the equipment. Unapproved modifications void warranty.
- Never exceed the limits of a piece of machinery. If its ability to do a job, or to do so safely is in question – **DO NOT TRY IT**.

2.6 Safe Condition

Throughout this manual, we talk about a '*Safe Condition*'. What this means is setting the machine in a state that makes it safe to service or repair.

Place the machine in a Safe Condition before performing any service, maintenance work or storage preparation by performing the following:

SAFE CONDITION

- Shut off engine. Remove ignition key.
- Make sure all moving parts have stopped.
- Disconnect battery ground (-) cable.
- Block or chock wheels.


2.7 Safety Training

Safety is a primary concern in the design and manufacture of Wallenstein products. Unfortunately, efforts to provide safe equipment can be wiped out by a single careless act.


- It is the operator's responsibility to read, understand and follow ALL safety and operation instructions in this manual.
- Train all new personnel and review instructions frequently with existing workers. Be certain only a properly trained and physically able person will use the machinery. A person who has not read and understood all instructions is not qualified to use the machine. An untrained operator can cause possible serious injury or death.
- Know the tractor controls and how to stop the machine quickly in an emergency.
- If this machine is used by any other person, loaned or rented, it is the owner's responsibility to make certain that prior to using, every operator:
 - reads and understands the owner's manual
 - is instructed in safe and proper use of the equipment
 - understands and knows how to perform the Safe Condition procedure



2.8 Being Prepared

- Never use the machine until the operators have been adequately trained in the safe operation of the machine and have read and completely understand:
 - safety, operation and feature sections of this manual
 - each of the safety messages found on the safety signs on the machine.
 - engine operator's manual
 - PPE is recommended during assembly, installation, operation, adjustment, maintenance, repair, removal, cleaning, and transport. Do not allow long hair, loose fitting clothing or jewelry around equipment.
 - Prolonged exposure to loud noise may cause permanent hearing loss! Power equipment with or without equipment attached can often be noisy enough to cause permanent, partial hearing loss.
- 
- Always wear hearing protection if the noise in any area you work in exceeds 80 dB.
 - Noise over 85 dB on a long-term basis can cause severe hearing loss.
 - Exposure to noise over 90 dB over a long-term basis may cause permanent, total hearing loss.
 - Hearing loss from loud noise (from engines, chain saws, radios, and other such sources close to the ear) is cumulative over a lifetime, without hope of natural recovery.
 - Clear working area of stones, branches or hidden obstacles that might be hooked or snagged, causing injury or damage.
 - Determine where chips will be piled and ensure it does not interfere with safe operation of the machine
 - Be aware of overhead hazards: branches, cables, electrical wires.
 - Use this machine only in daylight or good artificial light.
 - Be sure machine is properly mounted, adjusted and in good operating condition.
 - Perform the **Pre-operation Checklist** procedure before starting work (see "Pre-Operation Checklist" on page 26).

2.9 Refueling Safety

- Handle fuel with care. It is highly flammable.
 - Allow engine to cool for 5 minutes before refueling. Clean up spilled fuel before restarting engine.
 - Do not refuel the machine while smoking or fuel up near open flame or sparks.
- 
- Fill fuel tank outdoors.
 - Prevent fires by keeping machine clean of accumulated trash, grease and debris.
 - Be sure to stop the engine prior to refueling.
 - Do not overfill the fuel tank.
 - If fuel is spilled, wipe it away carefully and wait until the fuel has dried before starting the engine.
 - After refueling, make sure that the fuel cap is secured to prevent spillage.

2.10 Tire Safety

- Failure to follow proper procedures when mounting a tire on a wheel or rim can produce an explosion which may result in serious injury or death.
- Do not attempt to mount a tire unless you have the proper equipment and experience to do the job.
- Have a qualified tire dealer or repair service perform required tire maintenance.
- When replacing worn tires, make sure they meet the original tire specifications. Never undersize.

2.11 Battery Safety



Risk of burns! Battery electrolyte is extremely corrosive and poisonous. Contact with the eyes, skin, or clothing can result in severe burns or other serious personal injury. If contact occurs seek medical attention immediately. Handle batteries carefully.

W020

- Wear gloves and safety glasses or face shield when working on or near batteries.
- Use a battery carrier to lift the battery or place hands at opposite corners to avoid spilling acid through the vents.
- Avoid contact with battery electrolyte:

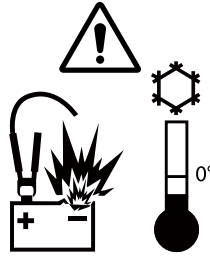
- **External Contact:** Flush immediately with water.
- **Eye Contact:** Flush with water for 15 minutes. Get prompt medical attention. Clean up any spilled electrolyte immediately.
- Avoid contact with battery posts, terminals and related accessories, they contain lead and lead compound chemicals known to cause harm if ingested. Wash hands immediately after handling battery.
- Keep all sparks and flames away from batteries. Electrolyte fumes are explosive.
- To avoid injury from spark or short circuit, disconnect battery ground cable before servicing any part of the electrical system.

CAUTION!

Risk of explosion or fire! Do not let metal objects come in contact with the battery terminals. Arcing can cause a fire or explosion. Cover terminals if working near batteries.

W021

- Do not jump start or charge a frozen battery. Frozen batteries can explode and result in death or serious injury. Let battery thaw before charging.



2.12 Gas Engine Safety

CAUTION!

Before starting engine, review the operating and maintenance instructions in the engine manual.

W019

- **DO NOT** run engine in an enclosed area. Exhaust gases contain carbon monoxide, which is an odorless and deadly gas.
- **DO NOT** place hands or feet near moving or rotating parts.
- **DO NOT** store, spill, or use gasoline near an open flame, or devices such as a stove, furnace, or water heater which use a pilot light or devices which can create a spark.
- **DO NOT** refuel indoors where area is not well ventilated. Outdoor refueling is preferred.
- **DO NOT** refuel while engine is running. Allow engine to cool for 5 minutes before refueling. Store fuel in approved safety containers.
- **DO NOT** remove fuel tank cap while engine is running.
- **DO NOT** operate engine if gasoline is spilled. Move machine away from the spill and avoid creating any ignition until gasoline has evaporated.
- **DO NOT** smoke while filling fuel tank.
- **DO NOT** choke carburetor to stop engine. Whenever possible, gradually reduce engine speed before stopping.
- **DO NOT** run engine above rated speeds. This may result in injury.
- **DO NOT** tamper with governor springs, governor links or other parts which may increase the governed speed.
- **DO NOT** tamper with the engine speed selected by the original equipment manufacturer.
- **DO NOT** check for spark with spark plug or spark plug wire removed.
- **DO NOT** crank engine with spark plug removed. If engine is flooded, crank until engine starts.
- **DO NOT** strike flywheel with a hard object or metal tool as this may cause flywheel to shatter in operation. Use proper tools to service engine.
- **DO NOT** operate engine without a muffler. Inspect periodically and replace, if necessary. If engine is equipped with a muffler deflector, inspect periodically and replace, if necessary, with correct deflector.
- **DO NOT** operate engine with an accumulation of grass, leaves, dirt or other combustible materials in the muffler area.

- **DO NOT** use this engine on any forest covered, brush covered, or grass covered unimproved land unless a spark arrester is installed on the muffler. The arrester must be maintained in effective working order by the operator. In the state of California, the above is required by law (Section 4442 of the California Public Resources Code). Other states may have similar laws. Federal laws apply on federal land.
- **DO NOT** touch hot muffler, cylinder or fins because contact may cause burns.
- **DO NOT** run engine with air cleaner or air cleaner cover removed.

Be sure to:

- Remove the wire from the spark plug when servicing the engine or equipment to prevent accidental starting. Disconnect the negative wire from the battery terminal if equipped with a 12-volt starting system.
- Keep cylinder fins and governor parts free of grass and other debris which can affect engine speed.
- Examine muffler periodically to be sure it is functioning effectively. A worn or leaking muffler should be repaired or replaced as necessary.
- Use fresh gasoline. Stale fuel can gum carburetor and cause leakage.
- Check fuel lines and fittings frequently for cracks or leaks. Replace if necessary.

3. Safety Signs on the Machine

3.1 Locations

The types of safety signs and locations on the equipment are shown in the illustrations that follow. Good safety requires that you familiarize yourself with the various safety signs, the type of warning and the area, or function related to that area, that requires your SAFETY AWARENESS.

Safety sign explanations begin on *page 14*.

IMPORTANT! If safety signs have been damaged, removed, become illegible or parts replaced without safety signs, new signs must be applied.

New safety signs are available from your authorized dealer.

Think SAFETY! Work SAFELY!

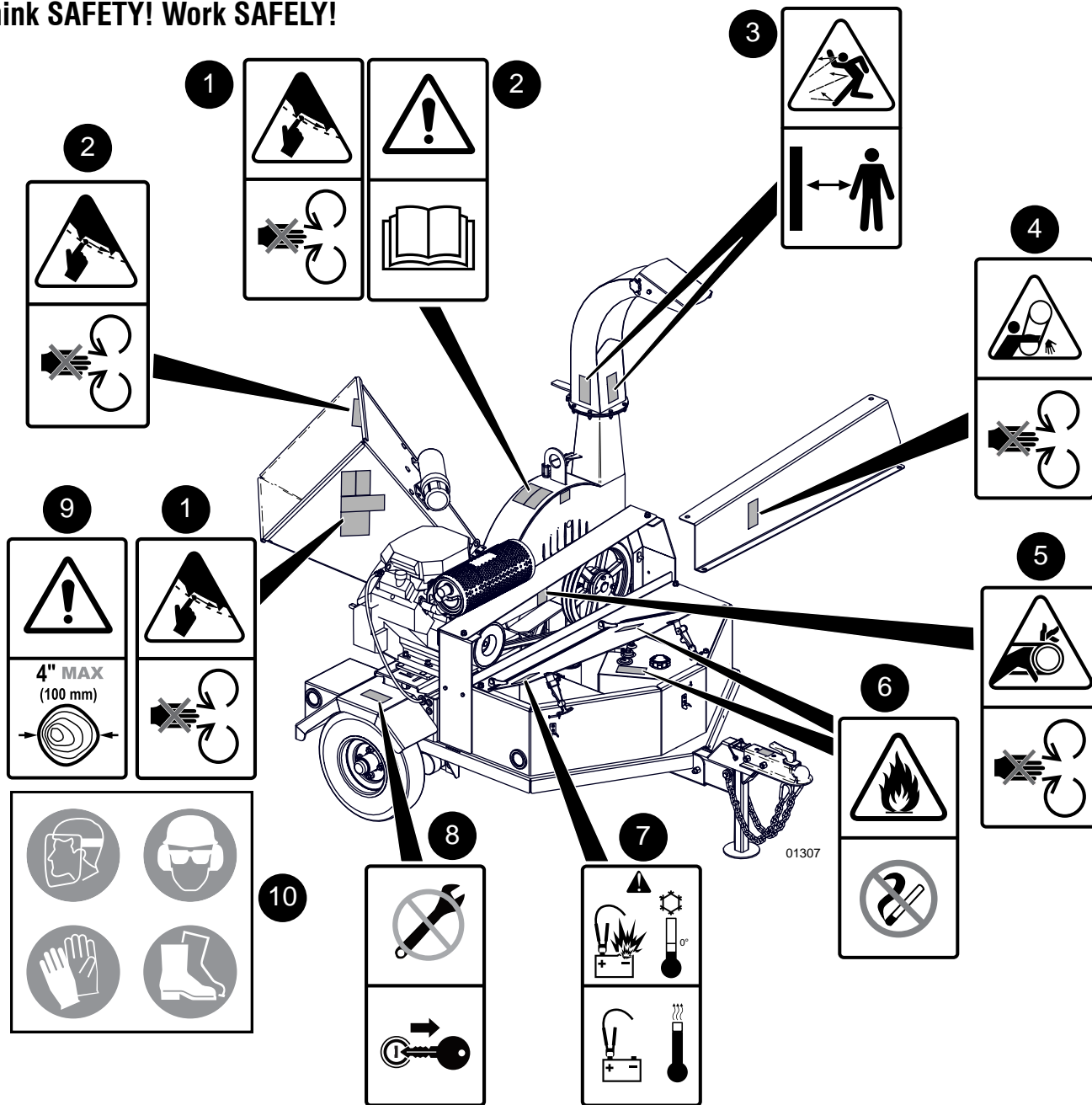


Fig. 2—Safety Signs on the machine

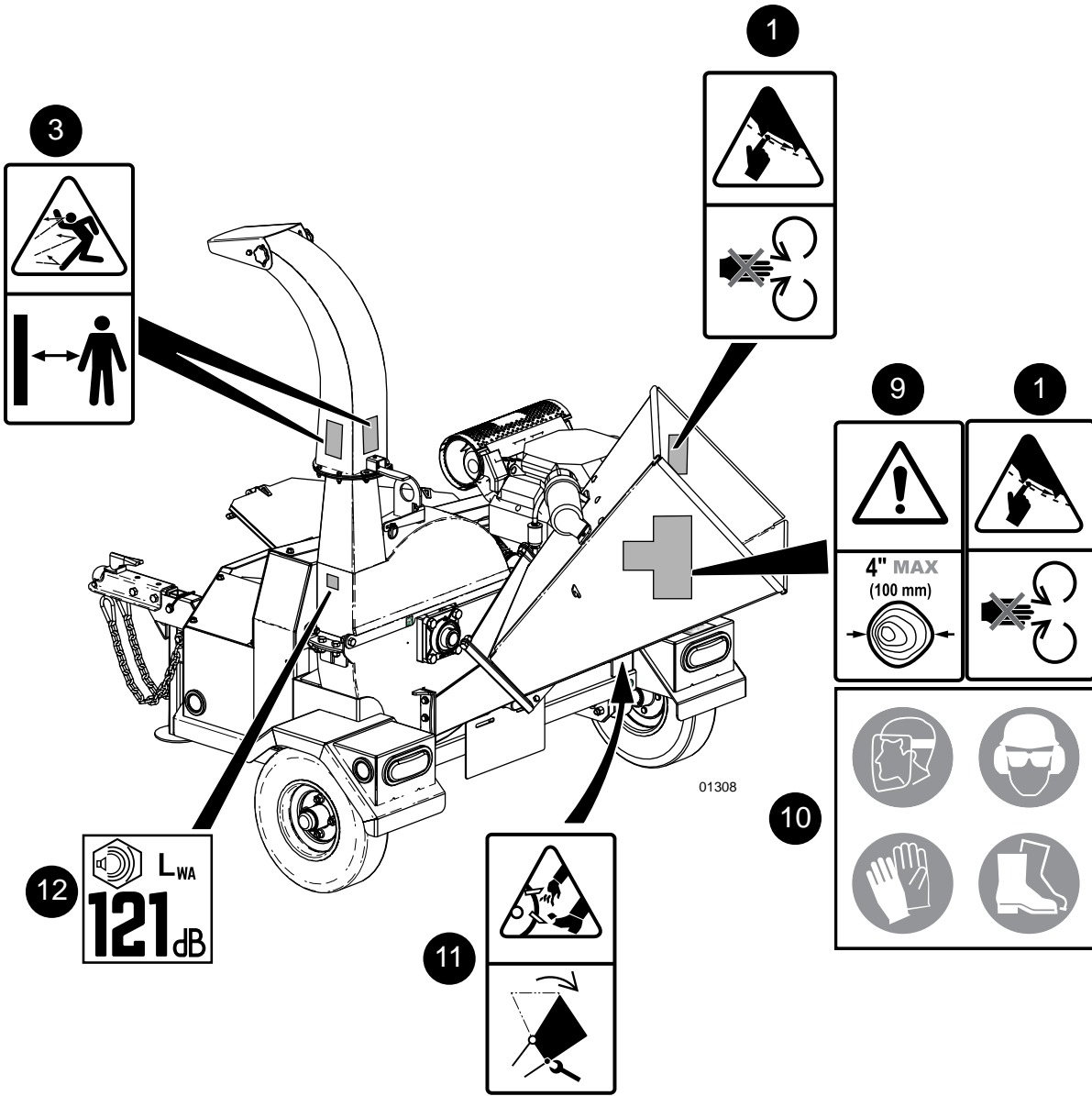


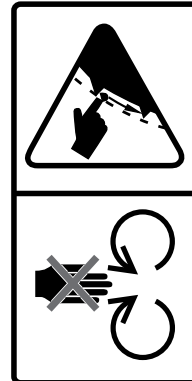
Fig. 3—Safety Signs on the machine

3.2 Safety Sign Explanations

1. WARNING!

Risk of fingers being severed or serious injury to hands in this area!

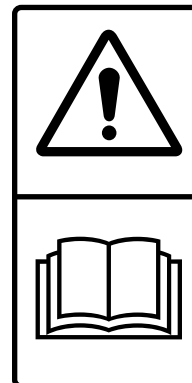
Keep hands and feet out of inlet and discharge openings while machine is operating.



2. WARNING!

Refer to the operator's manual. Read ALL operating instructions in the manual. Learn the meaning of ALL safety signs on the machine before operating it!

The best safety feature is an informed operator.



3. CAUTION!

Risk of injury from flying debris!

Stay clear of material discharge chute. Machine can expel wood chips fast enough to cause injury.

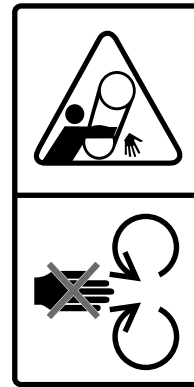
Do not point discharge at people, animals, or buildings. Point chipper discharge away from work area and bystanders. Keep a safe distance from discharge.



4. WARNING!

Risk of serious injury if caught in drive belt!

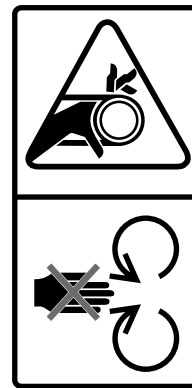
Never operate the machine with guard cover removed. Always keep guards and covers in place when machine is in operation. Keep hands clear of this area.



5. WARNING!

Risk of serious injury if caught in drive belt!

Never operate the machine with guard cover removed. Always keep guards and covers in place when machine is in operation. Keep hands clear of this area.



6. WARNING!

Risk of explosion! Fuel vapors are extremely flammable.

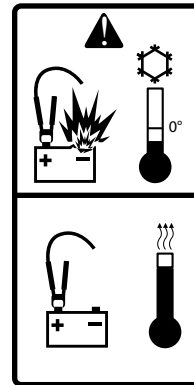
Do not refuel the machine while smoking or fuel up near open flame or sparks.



7. CAUTION!

Risk of Explosion!

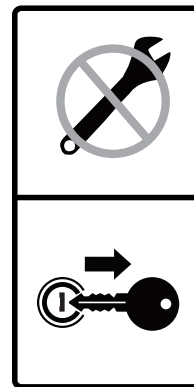
Do not jump start / charge a frozen battery. Frozen batteries can explode and result in serious injury. Let battery thaw before charging.



8. CAUTION!

Do not risk of injury!

Before servicing or repairing the machine, shut down the engine and remove the ignition key (as equipped). Disconnect the battery negative (-) cable so that the engine cannot be started unexpectedly.



9. CAUTION!

Risk of personal injury!

Do not overload the chipper by placing material into the feed hopper larger than the size stated on the decal, for example 4" (100 mm) in diameter.

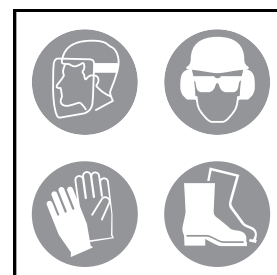
Machine damage could result.



10. CAUTION!

Always wear appropriate PPE around this machine when in operation.

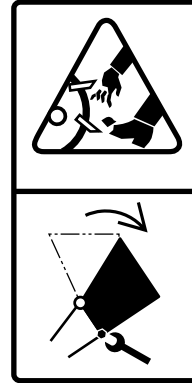
- A hard hat
- Hearing protection
- Protective glasses, goggles or face shield
- Protective shoes with slip resistant soles
- Heavy gloves



11. WARNING!

Risk of hands or feet being severed or seriously injured in this area!

Never operate the chipper with the feed hopper raised in the transport position. Chipper feed hopper must be lowered and bolted in place for operation.



12. CAUTION!

A noise declaration decal indicates the sound power (LWA) emitted by the machine when operating. For this chipper, it can be up to 121 decibels at close distances.

Always wear hearing protection when near the operating machine. Noise exposure over 85 dB on a long-term basis can cause severe hearing loss. Exposure over 90 dB over a long-term basis may cause permanent, total hearing loss.



4. Machine Components

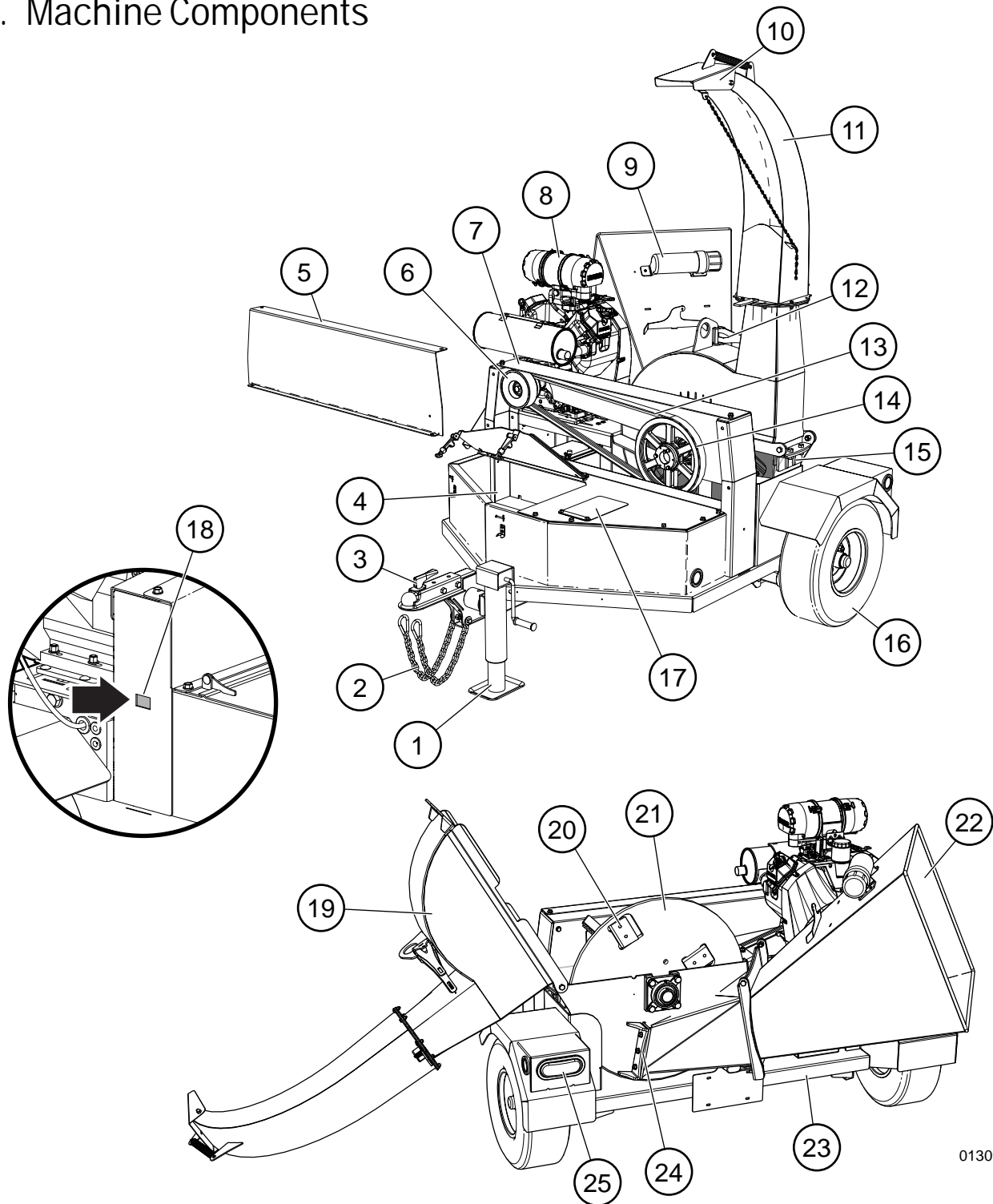


Fig. 4—BXT Chipper Main Components

- | | | |
|--|---------------------------------------|-----------------------------|
| 1. Jack Stand—BXT4213, BXT4224
Swivel Jack Stand—BXT6224, BXT6238 | 9. Operator Manual Tube | 18. Hour Meter |
| 2. Safety Chains | 10. Deflector Hood | 19. Upper Rotor Housing |
| 3. Hitch Coupler | 11. Discharge Chute | 20. Rotor Blades |
| 4. Storage Compartment | 12. Feed Hopper Transport Latch | 21. Rotor |
| 5. Belt Guard | 13. Double V-belt | 22. Feed Hopper |
| 6. Centrifugal Clutch | 14. Rotor Sheave | 23. Full Flex Axle |
| 7. Upper Belt Guard | 15. Twig Breaker | 24. Ledger Blade |
| 8. Engine | 16. 4.80-8 LRB SportTrail 4on4" Tires | 25. Stop, Tail, Turn Lights |
| | 17. Fuel Tank | |

01309

5. Controls

Before starting to work, all operators should familiarize themselves with the location and function of all controls.

5.1 Engine

For further information other than what is provided to follow, refer to the engine manual that came with your machine.

5.1.1 BXT4213 Engine Controls

(Honda® GX390 Engine)

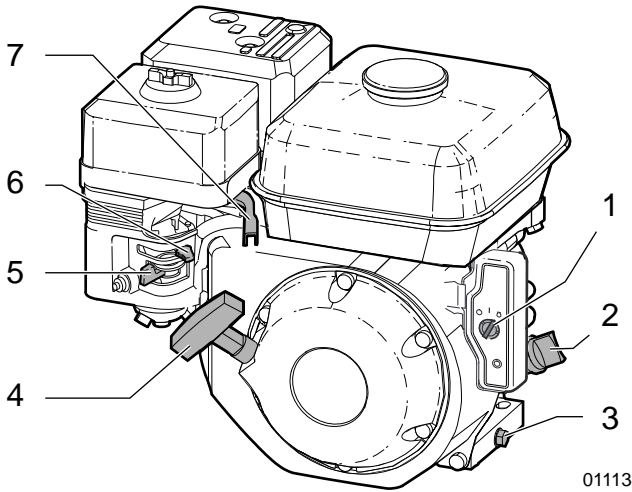


Fig. 5—BXT4213 Engine Controls

1. Ignition Switch
2. Oil Level Check
3. Oil Drain Plug
4. Starting Rope
5. Fuel Valve Lever
6. Choke Lever
7. Throttle Lever

Ignition Switch

The ignition switch has three positions—OFF, ON, and START.

- **OFF** – In the OFF position, there is no power to the engine. Turn the switch fully counterclockwise to shut the engine off.
- | **ON** – The engine operates in the ON position.
- ⊗ **START** – In the START position, the starter engages. When released, the switch returns to ON.

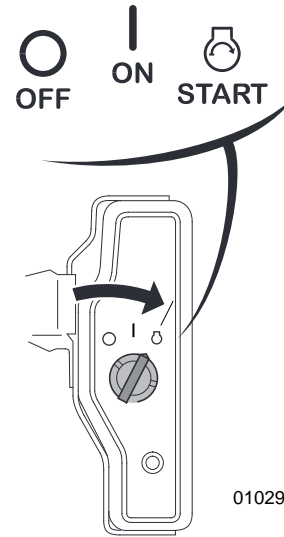


Fig. 6—Ignition Switch

Choke Lever

The choke lever opens and closes the choke valve in the carburetor.

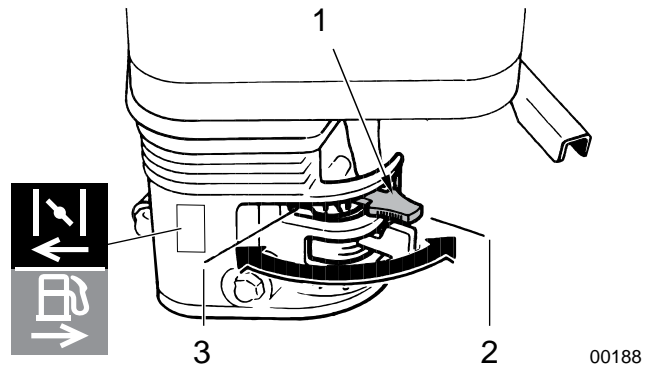


Fig. 7—Choke Lever

1. Choke Lever
2. Choke Open Position (Off)
3. Choke Closed Position (On)

- Close the choke valve (position 3) when starting a cold engine.
- Open the choke valve (move to position 2) after the engine starts. When restarting a warm engine, leave the choke valve open.

Fuel Shut-off Valve

The engine is equipped with a valve between the fuel tank and the carburetor.

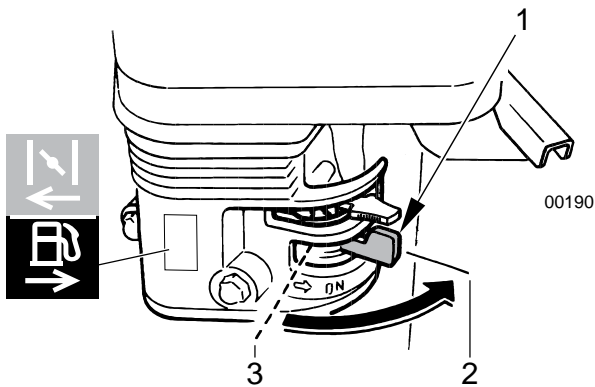


Fig. 8–Fuel Valve Lever

1. Fuel Shut-off Valve Lever
2. ON–Fuel is supplied to the carburetor
3. OFF–Fuel system is shut off

- Slide the fuel valve lever toward the block (2) to turn fuel ON, and away (3) to turn OFF.
- Turn the fuel OFF when not in use or when transporting the machine.

Throttle Lever

The throttle lever controls the engine speed.

- Move the lever side to side to increase or decrease engine speed.
- Always operate the wood chipper with the throttle lever in the MAX position.

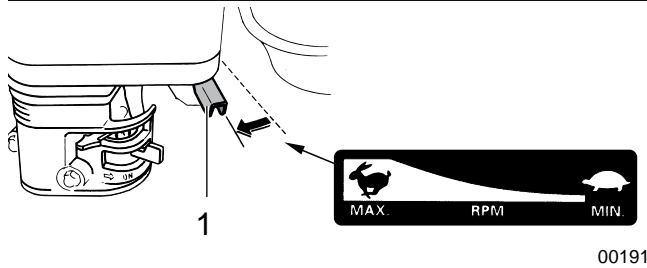


Fig. 9–Throttle Lever Positions

1. Throttle Lever

Recoil Starter

BXT4213 has a recoil hand starter that can be used to start the engine.

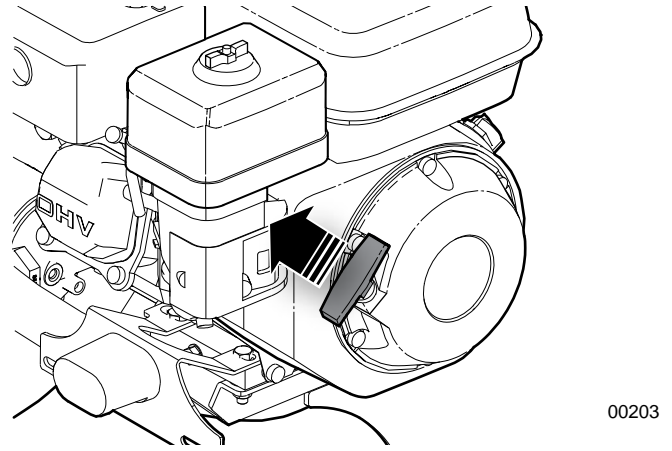
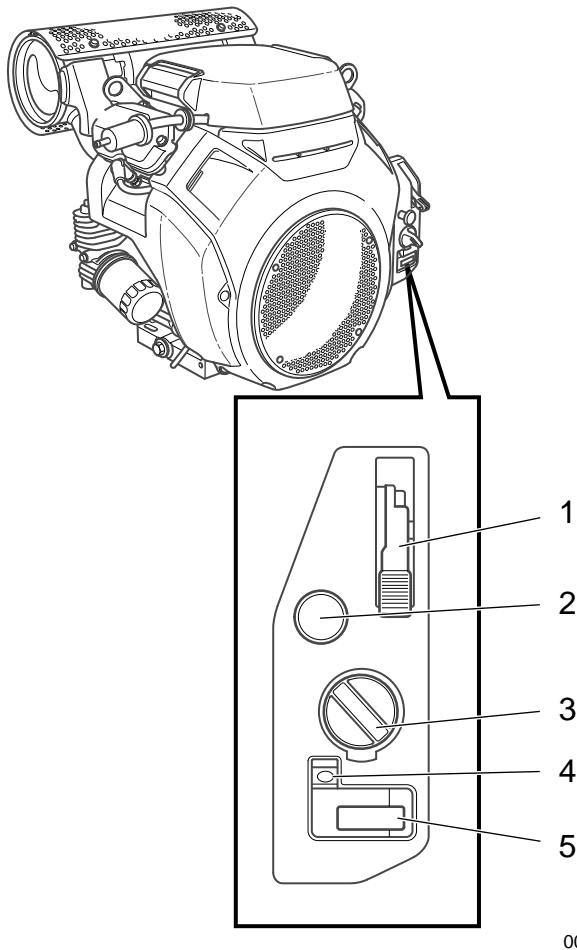


Fig. 10–Recoil Starter

5.2 BXT4224 & BXT6224 Engine Controls

(Honda® GX690 Engine)



00113

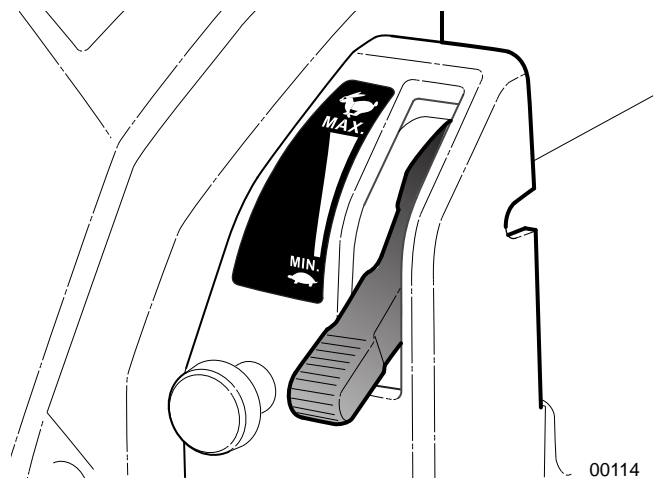
Fig. 11 – BXT4224 and BXT6224 Engine Controls

1. Throttle Lever
2. Choke Knob
3. Engine Start Switch
4. Low Oil Level Alert Indicator
5. Engine Hour Meter

5.2.1 Throttle Lever

The Throttle Lever controls engine speed. Warm up the engine before putting the chipper to work. The throttle lever should be at the MAX position during chipper operation.

- Pull the lever up to increase engine speed.
- Push the lever down to decrease engine speed.



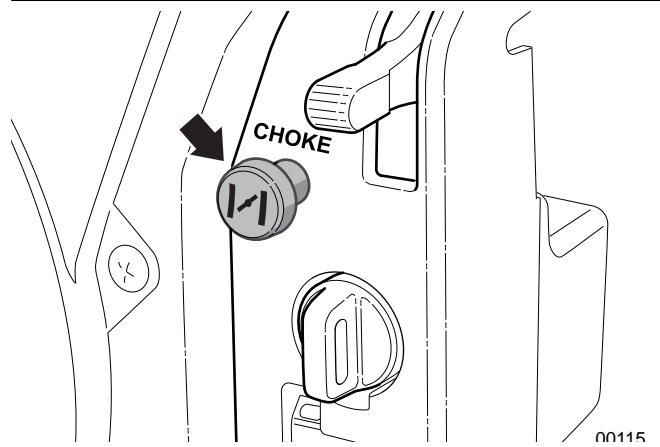
00114

Fig. 12 – Throttle Lever

5.2.2 Choke Knob

The Choke Knob is used as a starting aid when the engine is cold. Pulling the knob out supplies a richer fuel mixture to aid the engine in starting.

- Pull the knob out to apply (close) the choke when starting a cold engine.
- Push the knob in gradually to turn off (open) the choke as the engine warms.



00115

Fig. 13 – Choke Knob

5.2.3 Engine Start Switch

The Engine Start Switch has three positions—OFF, ON, and START.

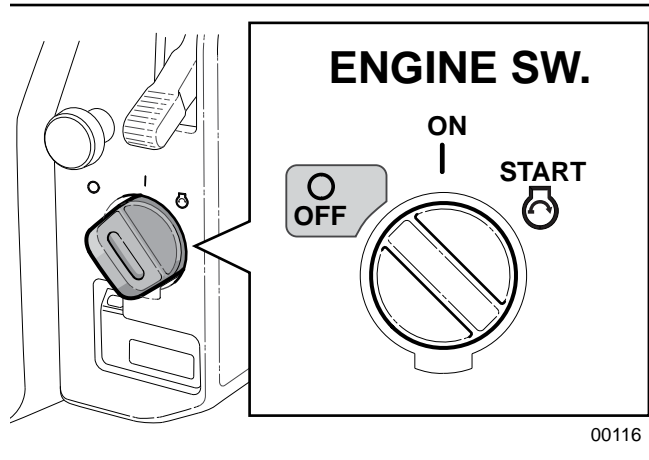


Fig. 14—Engine Start Switch

- **OFF** – In the OFF position, there is no power to the engine and fuel supply is turned off. Turn the switch fully counterclockwise to shut the engine off.
- | **ON** – In the ON (run) position, the fuel supply solenoid supplies fuel to the engine. The machine operates in this position.
- Ⓚ **START** – In the START position, the engine electric starter is activated. When released, the switch spring-returns to ON.

5.2.4 Engine Hours and Oil Level Alert

Refer to the engine manual for further information.

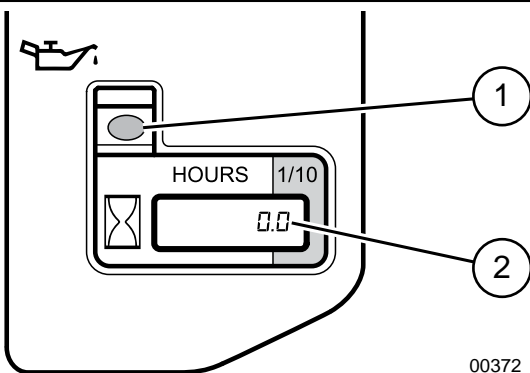


Fig. 15—Engine Hours and Oil Level Alert

1. Engine Oil Level Alert Indicator Light (Red)
2. Engine Operating Hours

5.3 BXT6238 Engine Controls

(Kohler® CH980 Engine)

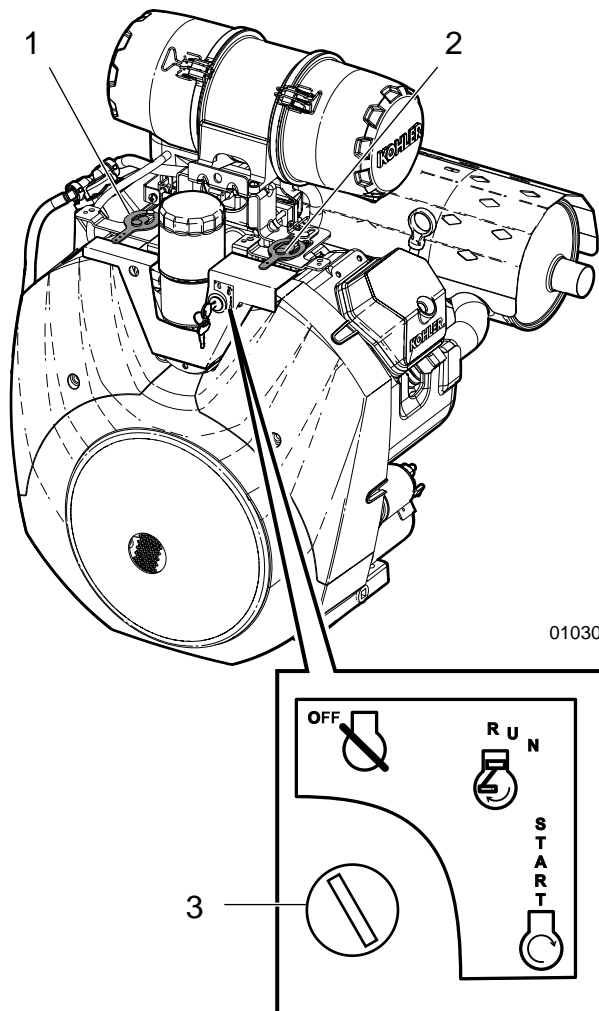
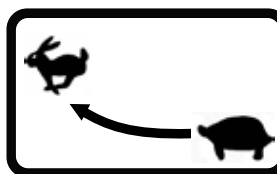


Fig. 16—BXT6238 Engine Controls

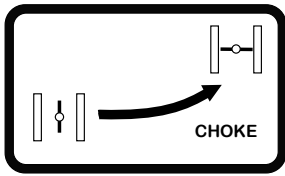
1. Throttle Lever
2. Choke Lever
3. Ignition Switch



Throttle

This lever controls engine speed. Slide the lever to the left to increase engine speed and right to decrease.

Choke



This left/right slider controls the position of the choke. Slide the choke to the right to close the choke for starting when the engine is cold. Slide the knob to the left to open the choke as the engine warms. Always slide the choke fully to the left when operating the machine.

Ignition Switch

The ignition switch has three positions—OFF, RUN, and START.



OFF – The engine is off in the OFF position. Turn the switch counterclockwise to OFF to stop the engine.

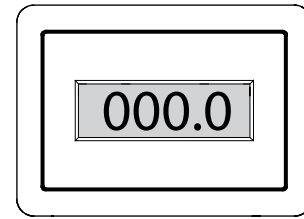


R U N – In the RUN position, the fuel supply solenoid supplies fuel to the engine. The machine operates in this position.



S T A R T – In the START position, the starter engages. When released, the switch returns to RUN.

5.4 Hour Meter



01311

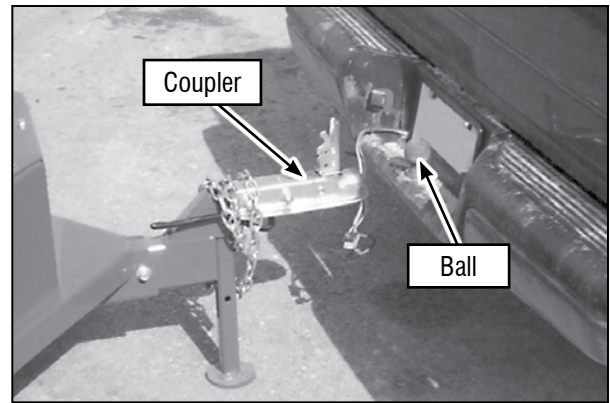
Fig. 17—Hour Meter

The Hour Meter gauge displays engine hours of operation. It only counts hours when the engine is operating. It does not shut off and is powered from its own internal battery.

5.5 Ball and coupler

The Wood Chipper should always be parked on a level, dry area that is free of debris and other foreign objects. When attaching the machine to a tow unit, follow this procedure:

1. Make sure that all bystanders, especially children, are clear of the working area.
2. Make sure there is enough room and clearance to safely back up to the machine.
3. Slowly back the tow vehicle until the coupler on the hitch and ball are aligned.
4. Attach the ball hitch:
 - Lift the hitch and place the coupler over the ball on the hitch.
 - Flip the latch to lock the coupler around the ball and install .
 - Install the snapper pin to secure the latch
 - BXT4213 — Pull out the snapper pin and pull up to place stand in its stowed position. Replace snapper pin.
 - BXT4224, BXT6224, BXT6238 — Crank the swivel jack up, pull out the snapper pin and swivel the stand into its stowed position. Replace snapper pin.
5. Attach the safety chain securely to the tow frame to prevent unexpected separation. Cross the chains when attaching to the tow vehicle
6. Ensure light wiring harness is connected to the tow vehicle.
7. Route the harness and cables across the hitch to prevent snagging. Be sure to provide slack for turning.
8. Reverse the above procedure when unhooking.



ALIGNED



ATTACHED

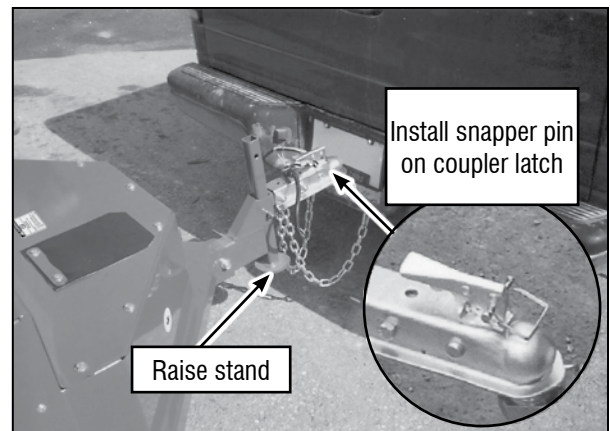


Fig. 18 – PIN / STAND / SAFETY CHAIN / WIRING HARNESS

6. Operating Instructions

CAUTION!

Park the machine so prevailing winds blow exhaust gases / fumes away from the operator.

W006

CAUTION!

Risk of injury from ejected wood chips. Chipper rotor can expel wood chips fast enough to cause injury or damage.

Direct chute discharge away from work area, people, animals, and objects.

W024

WARNING!

Never reach into the feed hopper. Doing so risks hands getting caught. Use a stick or branch to push in any material that does not move on its own.

If jammed, stop the engine, wait for the rotor to stop, then clear the jam.

W004

CAUTION!



Hearing loss hazard. Prolonged exposure to loud noise may cause permanent hearing loss. Use suitable protection while operating the machine.

W016

The operator has the responsibility of being familiar with and following all operating and safety procedures.

Although this machine is easy to use, each operator should review this section to get familiar with the detailed safety and operating procedures.

6.1 Operating Safety

- Do not reach into rotor or feed hopper openings when the machine is running. Install and secure access covers before starting engine.
- Do not move or transport chipper when the rotor is turning.
- Keep the working area clean and free of debris to prevent tripping. Operate only on level ground.
- Do not point discharge at people, animals, or buildings. Rotor can expel wood chips fast enough to cause injury.
- Be aware of the size and shape of the material being fed into the chipper. Crotchety branches can move in unpredictable ways and could cause injuries. Large curved pieces should be cut into smaller straighter sections.
- Do not work alone. It is safer to work in pairs in case an emergency arises.
- Never stand, sit or climb onto any part of the chipper while it is running.
- Place chipper in a Safe Condition before servicing, adjusting, repairing, or unplugging.
- Use care when feeding material into chipper. Do not put metal, bottles, cans, rocks, glass or other foreign material into wood chipper. If foreign material enters chipper, inspect machine for damaged or loose parts before resuming work.

CAUTION!

Do not risk injury by working in an unsafe situation. Take steps to make the machine safe to work on before performing any maintenance or service procedure.

Follow steps listed to put the machine in a Safe Condition.

W049

SAFE CONDITION

- Shut off engine. Remove ignition key (if equipped).
- Make sure all moving parts have stopped.
- Disconnect battery ground (-) cable.
- Block or chock wheels.

6.2 Before Startup

1. Check the engine oil level. See *page 27*.
2. Open the fuel valve.
3. Check fuel level. See *page 27*.
4. Check the engine air cleaner. See *page 36*.
5. Review Operating Safety.
6. Clear the area of bystanders.
7. Make sure each operator is trained and familiar with the set up and operation of the wood chipper.
8. Perform the Pre-operation Checks.
9. Survey the work site and place the chipper in a clear, level work area. Park machine so that engine exhaust is not blowing towards the operator.
10. Leave the chipper attached to the tow vehicle if extra stability is required. Set park brake on tow vehicle.
11. Lower the front jack stand. Insert snap lock pin.
12. Direct discharge chute away from the operator.

6.2.1 Pre-Operation Checks

Check the following each time the wood chipper is used:

Area to Check	✓
Check the tension and alignment of the belt. Adjust as required.	
Check the rotor housing and discharge chute. Remove any blockages, twine, wire or other material that has become entangled.	
Check engine oil level. Check fuel level.	
Check the condition and clearance of the twig breaker, rotor and stationary blades. Adjust or replace as required.	
Check condition of the battery and other electrical components. Keep all components in good condition.	
Check and ensure that all covers, guards and shields are in place, secured, and can function as designed. Check the condition of the feed hopper safety curtain.	
Check that rotor bearings turn freely. Replace any that do not turn smoothly or are seized.	
Check and inspect tires, wheels, and hubs.	
Check and tighten all fasteners. Make sure the equipment is in good condition.	
Check that appropriate equipment for personal protection is available and being used. Check that jewelry, loose-fitting clothing are not worn. Make sure long hair is tied back.	

6.3 Machine Break-In

Although there are no operational restrictions on the Wood Chipper when used for the first time, it is recommended that the following mechanical items be checked:

After operating for 1 hour:

1. Check alignment of pulleys. Align as required.
2. Check belt tension. Adjust as required.
3. Torque all fasteners and hardware.
4. Check condition of rotor bearings.
5. Check the condition and clearance of the twig-breaker, rotor and stationary blades. Adjust or replace as required.
6. Check for entangled material. Remove all entangled material before resuming work.
7. Check tire pressure. Inflate as required.

After operating for 10 hours:

8. Repeat steps 1 through 7 listed above.
9. Change engine oil. (See engine owners manual.)
10. Go to the normal servicing and maintenance schedule as defined in the Maintenance Section.

6.4 Machine Set-Up

Follow this procedure to prepare and set-up the machine at the work site:

1. Use the tow unit to position the Wood Chipper at the work site.
2. The chipper can be used as a stand alone, or if you require more stability leave your chipper attached to the tow vehicle.

IMPORTANT! Position the machine so the prevailing wind/breeze blows the exhaust gases/fumes away from the operator's station.

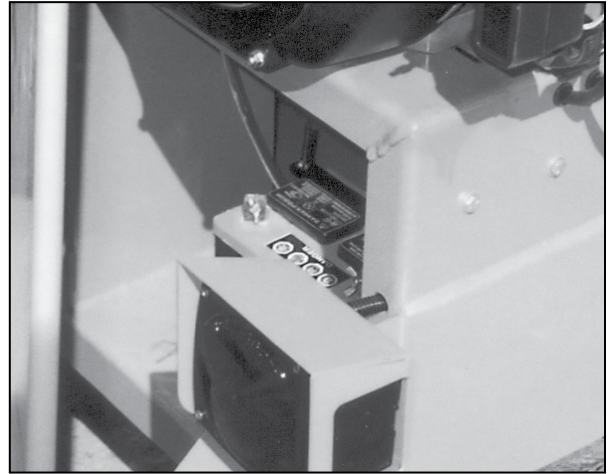


Fig. 20—BATTERY CABLE: (typical)

3. Lower the feed hopper down into its working configuration:

- Remove the nuts on the hopper anchor bolts,
- Unpin and the feeder hopper latch
- Carefully lower the hopper and secure it with the with the nuts on the anchor bolts.

4. Check the battery cable and if required connect the cable and tighten fastener securely to ensure a good connection.

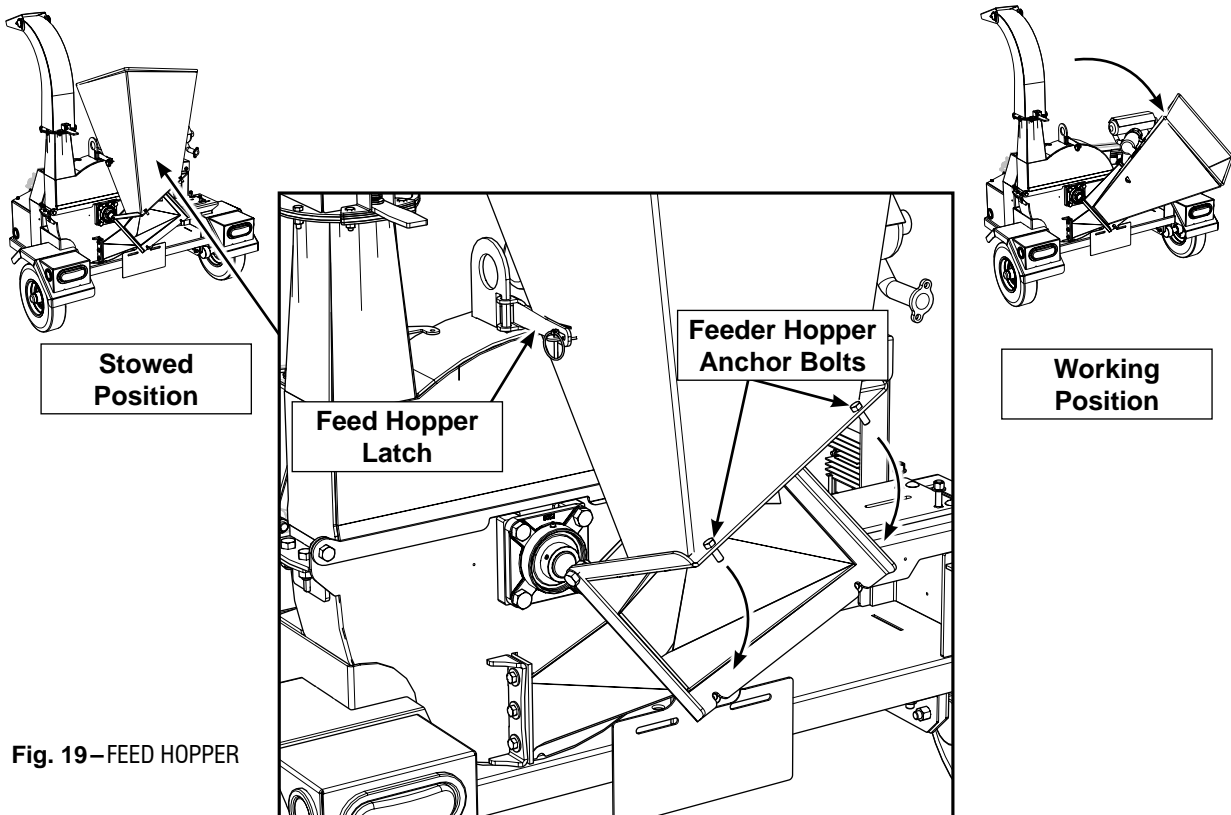


Fig. 19—FEED HOPPER

6.5 Starting Procedure

1. The Wood Chipper should be set up and ready to run. See page 27.
2. Set park brake if connected to tow vehicle.
3. Lower the support leg stand and secure with the snapper pin.
4. Close the choke if the engine is cold.
5. Move the throttle to its 1/4 throttle position. (If the throttle is set any higher the centrifugal clutch could potentially engage and stall a cold engine.)
6. Open the fuel supply valve (BXT4213).
7. **Electric Start (BXT4224, BXT6224, BXT6238):** Use the ignition key and turn it to the *START* indicator, to turn over the engine. Release the key when the engine has started and the key will return to the centre run position.
8. **Manual Start (BXT4213):** Turn the ignition ON. Grasp the "T" bar on the pull cord firmly, and pull the rope sharply to start the engine.
9. Run the engine for a few minutes to allow it to warm.
10. Gradually open the choke.
11. Turn the discharge head to its desired position.

12. Slowly increase the engine speed to engage the centrifugal clutch.
13. Increase throttle setting to maximum speed for operation.
14. Ensure that the rotor is up to speed, start feeding material into hopper.

6.6 Stopping

1. Stop feeding material into the hopper.
2. Slow engine speed to idle.
3. Stop engine using ignition switch.

6.7 Emergency Stopping

If an emergency occurs, **shut off the engine using the ignition switch.**

Correct emergency situation before restarting engine and resuming work.

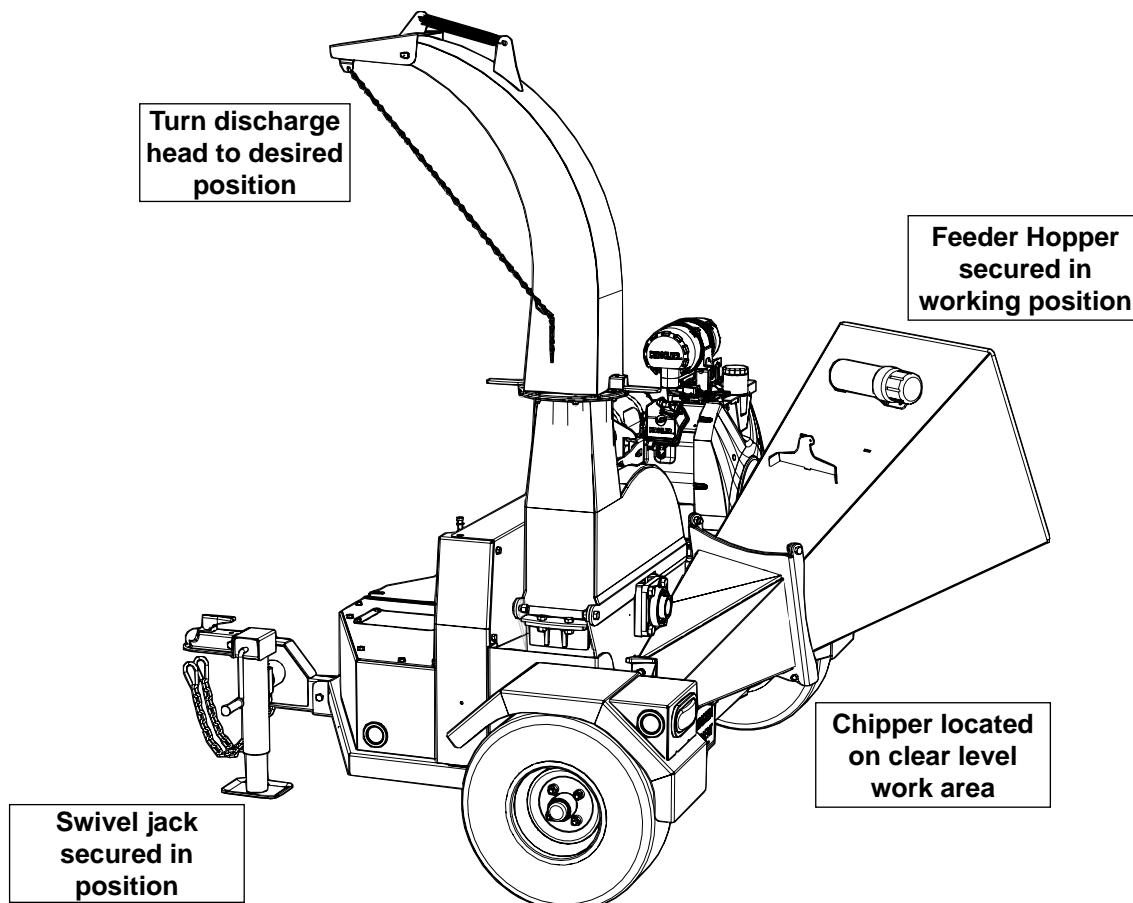


Fig. 21 – STARTING/STOPPING

6.8 Chipping Operation

Always wear personal protective equipment (PPE) whenever operating the machine. This includes but is not limited to protective shoes with slip resistant soles, protective goggles or face shield, heavy gloves, hearing protection and protective clothing.

Do not place metal, bottles, cans, rocks, glass or other solid material into the wood chipper. If something like this gets into the machine, stop the machine immediately for a detailed inspection. Stop engine, remove ignition key and place in your pocket and wait for all moving parts to stop before inspecting or unplugging. Inspect machine for damaged or loosened parts before resuming work.

1. Before beginning to feed, ensure the motor warmed up and the rotor is up to speed.
2. Slowly slide the wooden material into the feed hopper and move it into the rotor.
3. Do not force the material into the rotor, as the material engages the rotor, the rotor will draw the material in. Use continuous lite pressure to guide in the material.
4. Be aware of how much material you feed in, slow down or stop if the engine begins to slow down.
5. Do not reach into the feed hopper further than the curtain to be sure not to contact the blades on the rotor.

6. Use a stick or branch to push any piece of material into the rotor that does not move on its own. If the jam persists then stop the engine and wait for the rotor to stop and then clear the jam. **Do not take a chance with getting your hand caught in the rotor.**
7. Ensure your wood chip pile is contained and doesn't affect the immediate work area.

⚠ WARNING!



Never reach into the feed hopper when the chipper is operating. Doing so risks contacting knives on the rotor and causing serious injury.



Use a stick or branch to push any material in that does not move on its own. If the jam persists, stop the engine and clear the jam.

W039



Fig. 22 – Safety Curtain inside Feed Hopper

6.8.1 Unplugging:

Although the machine is designed to handle a wide variety of material without any problem, occasionally it plugs. When the machine plugs, follow this procedure to unplug:

1. Clear the area of bystanders, especially small children.
2. Stop the engine, remove the ignition key and place it in your pocket and wait for all moving parts to stop before unplugging.
3. Pull the material out of the feed hopper. Be sure all the material is out and nothing is jammed or wedged between the input opening and the rotor.
4. Pull the material out of the discharge hood. Use a stick to poke loose any material jammed into the discharge hood. Do not allow anything to remain in this area.
5. Check that everyone is clear of machine before restarting engine.
6. Start the engine and resume working.

6.8.2 Severe plug:

1. Clear the area of bystanders, especially small children.
2. Stop the engine, remove the ignition key and place it in your pocket or remove spark plug wire, and wait for all moving parts to stop before unplugging.
3. Loosen the feed hopper anchor nuts and raise the feed hopper.
4. Remove jammed material from inside the rotor compartment.
5. Clean out the discharge area/rotor.
6. Open the upper rotary housing and clean out the housing.
7. Be sure to turn the rotor by hand to be sure there is nothing jammed between the rotor and stationary blades.
8. Close, install and fold down all components opened to unplug. Tighten fasteners to their specified torque.
9. Check that everyone is clear of machine before restarting engine.
10. Start the engine and resume working.

WARNING!

Machine shown with guards removed for illustrative purposes only. Never operate machine with guards removed.

W001

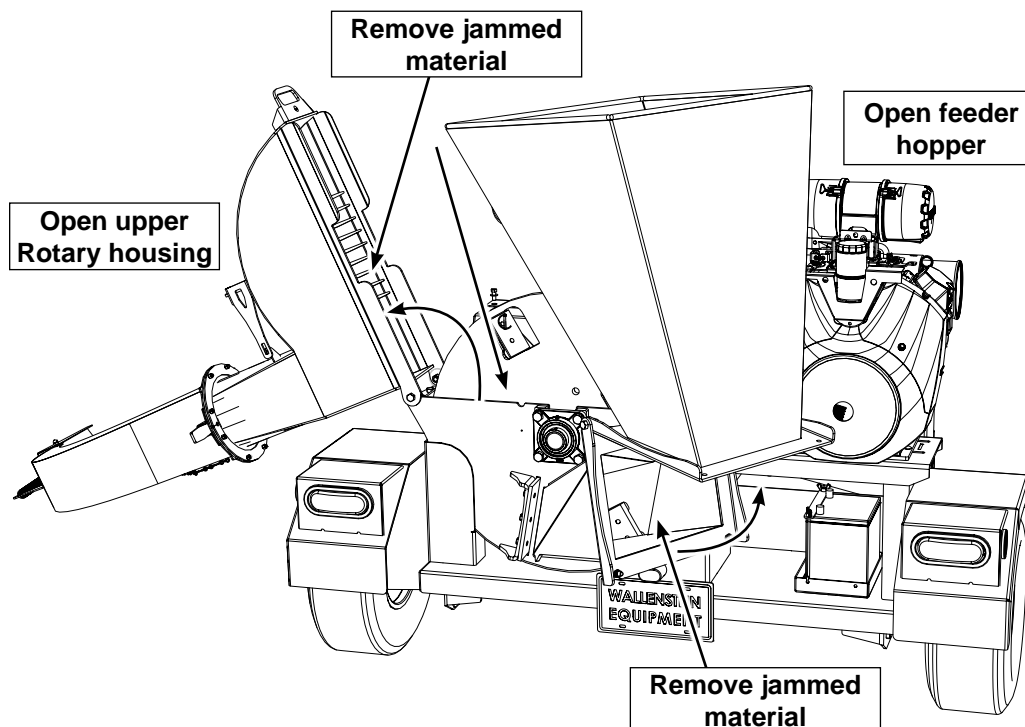


Fig. 23—SEVERE PLUG

6.8.3 4.8.8 Refuelling:

- **BXT4213** models have an engine mounted fuel tank.
- **BXT4224** models have the fuel tank located in the front frame and is accessed by lifting the tool box lid.
- **BXT6224 and BXT6238** models have the fuel tank located in the front frame and is accessed by lifting the rubber flap over the cap. Do not overfill.

Fill the tank to 1/2" (12 mm) below bottom of filler neck to provide space for any fuel expansion. Do not overfill.

! WARNING!



Fuel vapors can explode causing injury or death. Do not smoke while refueling. Keep sparks, flames, and hot components away.

W027

6.8.4 Safety Curtains

Each feed hopper is designed with an internal rubber/belting curtain to prevent chips and debris from coming out of the hopper when working. Check the condition of the curtain each day prior to starting. Replace the curtain if torn, damaged or missing to minimize the chance of material coming out of the feed hopper.

6.8.5 Operating Hints:

- Keep the working area clean and free of debris to prevent slipping or tripping. Operate only on level ground.
- Do not place hands or any body parts into the feed hopper during operation. Use a stick or branch to push material into the rotor when it goes past the curtain in the feed hopper.
- Do not point discharge at people, animals or buildings. Rotor can expel wood chips fast enough to cause injury.
- Use care when feeding material into the chipper. Do not send metal, bottles, cans, rocks, glass or other foreign material into the wood chipper. If foreign material enters chipper, stop machine, turn engine off and place ignition key in your pocket and wait for all moving parts to stop before removing material and/or unplugging. Inspect machine for damaged or loose parts before resuming work.

BXT4213



BXT6224, BXT6238

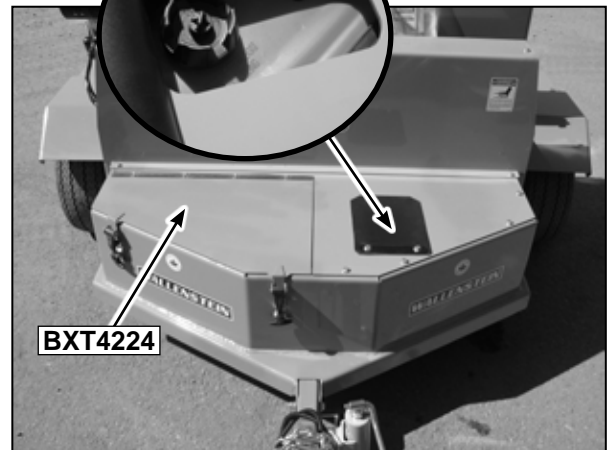


Fig. 24 – FUEL TANK



Fig. 25 – CURTAIN

6.9 Transporting

Transporting Safety

- Do not exceed a safe travel speed.
- Always follow and obey applicable highway rules and regulations.
- Be sure all lights and markers required by the traffic regulations are in place, clean and working.
- Inspect rims for dents or damage, check wheel lugs and tighten if required.
- Always attach the safety chains between the machine and the tow vehicle. Cross the chains under the hitch when connecting.
- Always use a mechanical retainer through the ball hitch mechanism when attaching to tow vehicle.
- Do not drink and drive.
- Plan your route to avoid rough terrain. Slow down when encountering rough conditions or cornering.
- Raise and secure feed hopper before moving or transporting.

When transporting the machine, review and follow these instructions:

1. Clear the area of bystanders, especially small children.
2. Check that all the lights and reflectors required by the highway authorities are in place, clean and working.
3. Insure that the machine is securely attached to the pick-up with a mechanical retainer through the ball hitch mechanism. Always use safety chains crossed between the truck and machine.
4. Do not allow riders.
5. Never exceed a safe travel speed. Slow down when encountering rough road conditions and cornering.
6. Do not drink and drive.
7. Raise the feed hopper, and attach the chute latch bar to the chute latch catch and secure it with the snapper pin before transporting.
8. Turn the discharge hood and point toward the rotor to reduce the width of the machine.
9. Ensure upper rotor housing is securely bolted.

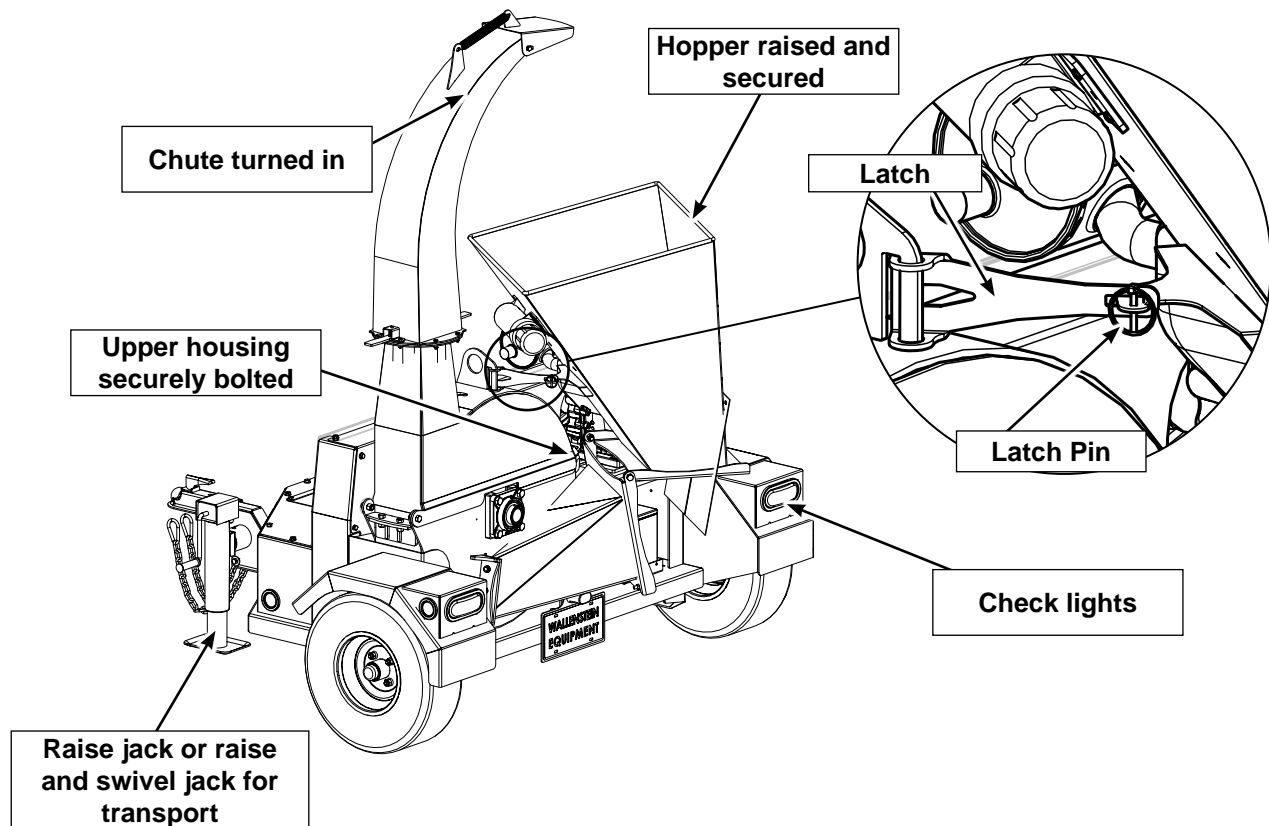


Fig. 26 – TRANSPORT CONFIGURATION

6.10 Storage

6.10.1 Placing In Storage

After the season's use or when the machine will not be used for a period of time, completely inspect all major systems of the Trailer Wood Chipper. Replace or repair any worn or damaged components to prevent any unnecessary down time at the beginning of the next season.

Refer to the engine manual for information on storage.

Follow this procedure before storing:

1. Remove all material from the machine.
2. Thoroughly wash the machine to remove all dirt, mud or debris.
3. Inspect all rotating parts for entangled material. Remove all entangled material.
4. Check the condition of the belts and pulleys. Replace or adjust as required.
5. Add fuel stabilizer to the fuel tank.
6. Run the machine a few minutes to dry the moisture from inside the machine.
7. Turn fuel valve off.
8. Move the feed hopper up and lock.
9. Touch up all paint nicks and scratches to prevent rusting.
10. Remove ignition key and store in a secure place.
11. Remove the battery and store it in a cool, dry area on wooden blocks or a wooden pallet. Charge it monthly to maintain an adequate charge.
12. It is best to store the machine inside. If that is not possible, cover with a waterproof tarp and tie down securely.
13. Store in an area away from human activity.
14. Do not allow children to play around the stored unit.

When removing this machine from storage, follow this procedure:

1. Remove the tarpaulin if covered.
2. Install and connect the battery.
3. Bring the ignition key.

4. Review and follow the pre-operation checklist.

IMPORTANT! If the machine has been stored for more than 6 months, warm the engine by running it for 2-3 minutes and drain the oil. Change the oil while the oil is warm to remove any condensation. Refer to Maintenance section.



Fig. 27– STORED

7. Service and Maintenance

WARNING!

Risk of serious personal injury. Stop engine before performing ANY service or maintenance procedure. Reinstall all covers and guards removed before putting machine back into service.

W033

WARNING!

Shut down the machine and allow it to cool before performing any service, maintenance, or inspection procedure. Engine components and oil may be hot enough to cause injury.

Make sure the machine is in a Safe Condition to work on. Review Maintenance Safety beforehand.

W041

7.1 Maintenance Safety

- Always place the machine in a safe service position before performing any service work, maintenance procedures, or storage preparation. The **Safe Condition** is as follows:

SAFE CONDITION

- Shut off engine. Remove ignition key.
- Make sure all moving parts have stopped.
- Disconnect battery ground (-) cable.
- Block or chock wheels.

- **Good maintenance is your responsibility. Poor maintenance is an invitation to trouble.**
- **Follow good shop practices.**
 - **Keep service area clean and dry.**
 - **Be sure electrical outlets and tools are properly grounded.**
 - **Use adequate light for the job at hand.**
- **Make sure there is plenty of ventilation. Never operate the engine or the towing vehicle in a closed building. The exhaust fumes may cause asphyxiation.**
- **Never work under equipment unless it is blocked securely.**

- **Always use personal protection devices such as eye, hand and hearing protection when performing any service or maintenance work. Use heavy gloves when handling sharp components.**
- **Where replacement parts are necessary for periodic maintenance and servicing, genuine factory replacement parts must be used to restore your equipment to original specifications. The manufacturer cannot be held responsible for injuries or damages caused by use of unapproved parts or accessories.**
- **A fire extinguisher and first aid kit should be kept readily accessible while performing maintenance on this equipment.**
- **Periodically tighten all bolts, nuts and screws and check that all electrical and fuel connections are properly secured to ensure unit is in a safe condition.**
- **When completing service, make sure all safety shields and devices are installed before placing unit in service.**

7.2 Fluids and Lubricants

1. Engine Oil

SAE 10W-30 or 5W-30 motor oil is recommended for general use. **Refer to the engine manufacturer's manual for maintenance and service information.**

2. Grease

Use an SAE multi-purpose high temperature grease with extreme pressure (EP) performance. Also acceptable is an SAE multipurpose lithium-based grease.

3. Engine Fuel

This engine is certified to operate on unleaded gasoline with a pump octane rating of 86 or higher (a research octane rating of 91 or higher).

Fuel Tank Capacity:

Honda GX390 – 1-1/2 US gal (6.5 L)
 Honda GX690 – 4 US gal (25 L)
 Kohler CH980 – 4 US gal (25 L)

4. Storing Lubricants

Your machine can operate at top efficiency only if clean lubricants are used. Use clean containers to handle all lubricants. Store them in an area protected from dust, moisture and other contaminants.

7.3 Maintenance Schedule

Perform maintenance procedures at time shown or hour interval, whichever comes first.

Refer to your engine manual for engine maintenance.

As Required	
Visually check drive belt tension.	
Remove entangled material from chipper.	
Check that all fasteners are tight.	

Every 8 hours or Daily	
Check engine oil level.	See engine manual
Perform pre-operation checks	See page 26

Every 50 hours or Annually	
Clean engine air filter	See engine manual
Check drive belt tension and sheave alignment	See page 38
Check wheel lug nut torque	See page 45
Check rotor blade sharpness.	See page 40
Inspect battery	—
Check ledger knife sharpness	See page 41
Check twig breaker	See page 41
Grease machine	See page 36

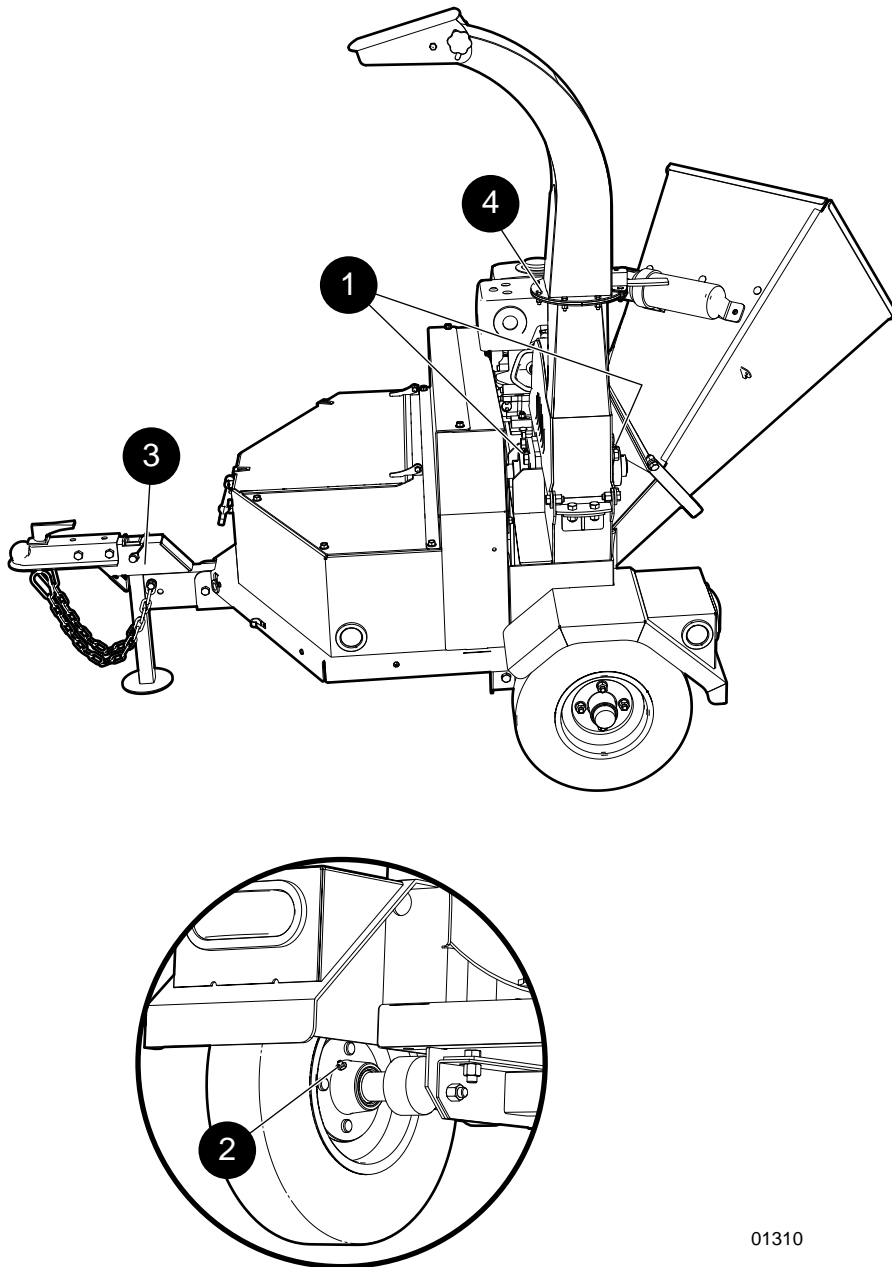
Every 100 hours or Annually	
Change engine oil	See engine manual
Check tire pressure	See rating on tire sidewall
Change engine air filter	See engine manual
Clean machine. Remove debris and entangled material.	—
Change fuel filter	See engine manual

7.4 Grease Points

Use a hand-held grease gun for all greasing. Pump one shot of grease per fitting.

- Wipe grease fitting with a clean cloth before greasing to avoid injecting dirt and grit.
- If fittings do not take grease, remove and clean them thoroughly. Replace grease fittings as necessary.

Location	Grease Points – Every 50 hours of operation or annually
1	Rotor Shaft Bearings
2	Wheel Bearings
3	Trailer Jack
4	Discharge Chute Rotation



01310

Fig. 28–Grease Points (typical of all models)

7.5 Maintenance

By following a careful service and maintenance program for your machine, you will enjoy many years of trouble-free operation. **Review your engine manual for specific instructions / requirements.**

7.5.1 Drive Belt Replacement:

1. Ensure the engine is off (ignition switch is off and the fuel valve is closed).
2. Remove the four bolts that secure the belt guard, and the three bolts that secure the upper belt guard to the chipper. Remove the guards.
3. Loosen (do not remove) the 4 x bolts that hold the engine mount to the main frame (located at the bottom of the motor mount)
4. Turn the belt tensioning bolt counter clockwise, until belt is loose enough to remove, then remove the belt (see illustration).
5. Replace with the new belt
6. Turn the belt tensioning bolt clockwise, to pull the engine mount outwards to tighten the belt
7. Check the tension by pushing on the belt with your fore finger and measure its deflection. Drive belt should deflect no more than 1/2 to 5/8" (13 mm to 16 mm).
8. When tension is correct, check pulley alignment then tighten up all four engine mount bolts, and replace the belt shield and bolts.
9. Recheck tension after 10 hours of use.

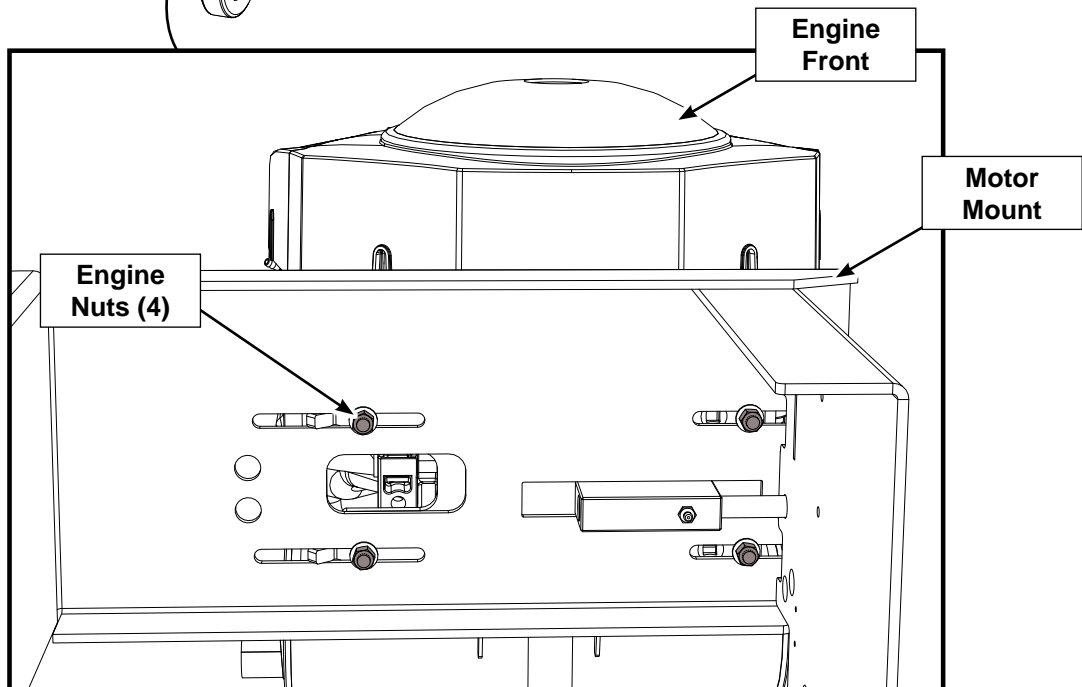
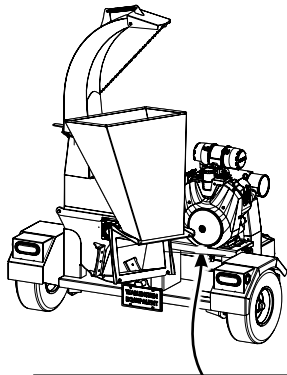


Fig. 29 – BOTTOM VIEW OF MOTOR MOUNT

7.6 Belt Tension

A centrifugal engine clutch drives the rotor sheave. When the belt is in disrepair or loose, the ability to efficiently drive the rotor may be affected.

It is important to periodically check the condition, as well as the tension of the belt. Frayed, cracked, or worn drive belts should be replaced. Drive belt should deflect no more than 1/2 to 5/8" (13 mm to 16 mm). For accurate measurement use a drive belt tension gauge. Contact your dealer for more information on belt tension.

WARNING!

Machine shown with guards removed for illustrative purposes only. Never operate machine with guards removed.

W001

Drive Belt Tension Check and Adjustment:

1. Ensure the engine is off (ignition switch is off and the fuel valve is closed).
2. Remove the 4 bolts that hold the belt guard to the chipper, remove the belt guard.
3. Check the tension by pushing on the belt with your fore finger and measure its deflection. Drive belt should deflect no more than 1/2 to 5/8" (13 mm to 16 mm).
4. If the belt requires adjustment, lift and secure the hopper, loosen (do not remove) the 4 x bolts that hold the engine mount to the main frame, (access from the front of the motor, under the motor mount: see fig 23).
5. Turn the belt tensioning bolt clockwise, to pull the engine mount outwards to tighten the belt or turn the bolt clockwise, to loosen the belt.
6. Snug 1 bolt on each side of the engine mount.
7. Check the tension by pushing on the belt with your fore finger and measure its deflection. Drive belt should deflect no more than 1/2 to 5/8" (13 mm to 16 mm).
8. If the tension is incorrect, loosen the engine mount bolts and adjust the belt tension bolt as required.
9. When tension is correct, tighten up all four engine mount bolts and replace the belt shield and bolts.

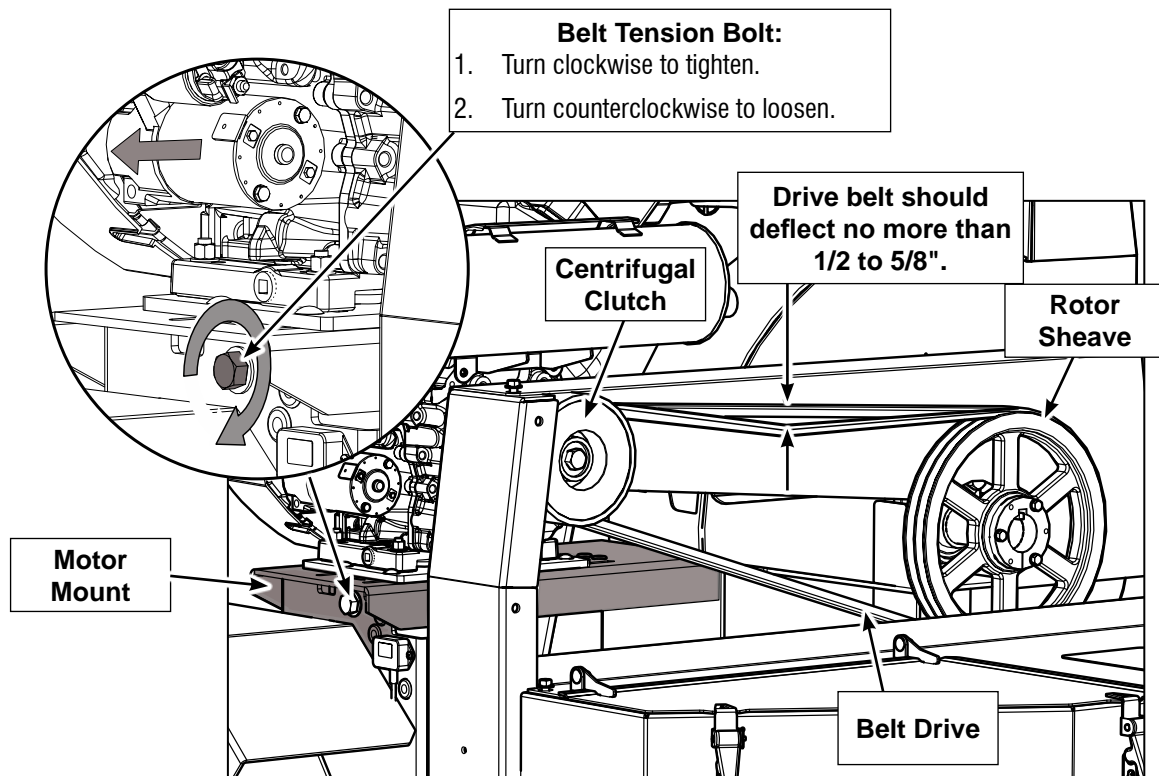


Fig. 30—BELT TENSION

7.6.1 Sheave Alignment

A set of V-belts transmits rotational power to the rotor. They must be kept properly tensioned and the sheaves aligned to obtain the expected performance and life.

For maximum accuracy, have your sheaves aligned with a laser alignment tool. Contact your dealer for information on laser alignment.

Alignment may be carried out using a straight edge, to check the alignment, follow this procedure:

1. Clear the area of bystanders, especially small children.
2. Turn machine off, stop engine, remove ignition key and place in pocket and wait for all moving parts to stop.
3. Remove the belt guard and upper belt guard.
4. Have a straight edge at least 50" (127 cm) in length.
5. Place the straight edge along the face on the back of the clutch, and place the opposite end along the back face of the rotor sheave.
6. Check to see if there is a gap between the straight edge and the clutch or the sheave, measure the gap (A).

7. If there is more than 1/32" (.8 mm) offset, adjustment is required.

8. To adjust alignment:

- Loosen the set screw on the bushing attached to rotor sheave.
- Remove the 3 hex bolts on the bushing, and thread them into the tapped holes on the bushing.
- Tighten the hex bolts progressively with 1/4 turns until bushing is free from the sheave taper.
- Move the sheave to the required position to align the belt.
- If the offset is 1/32 (.8 mm) or less, then no more adjustment is necessary.
- Align drilled holes with tapped holes on the sheave, replace and hand tighten the 3 hex bolts.
- Tighten the set screw and recheck alignment.
- Carefully tighten hex bolts progressively (1/4 turns) and uniformly until firmly seated.
- Recheck belt tension and assemble belt guards.

Note: movement of the sheave may occur when tightening the bushing, some allowance for movement may be required.

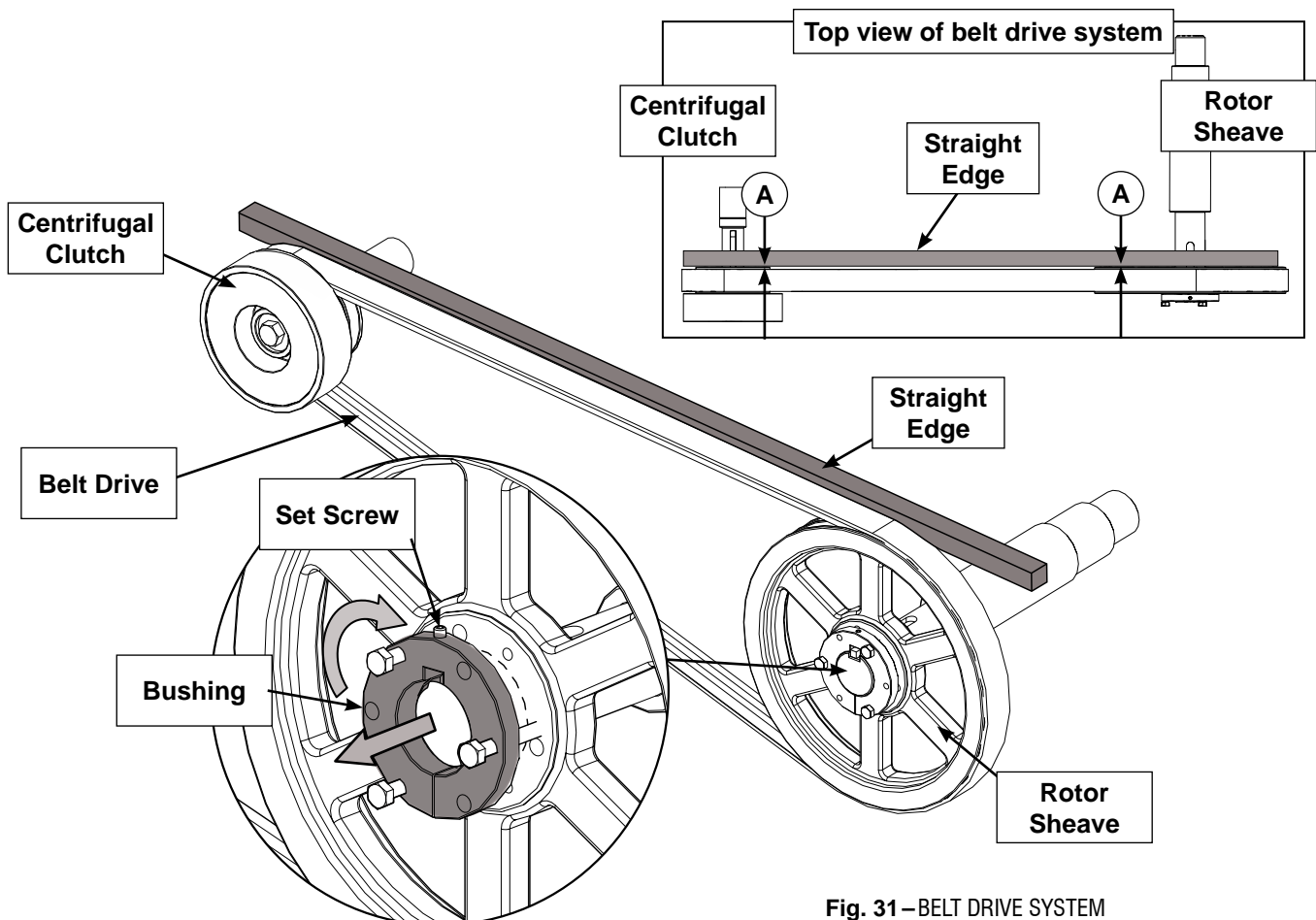


Fig. 31 – BELT DRIVE SYSTEM

7.6.2 Rotor Blade Maintenance:

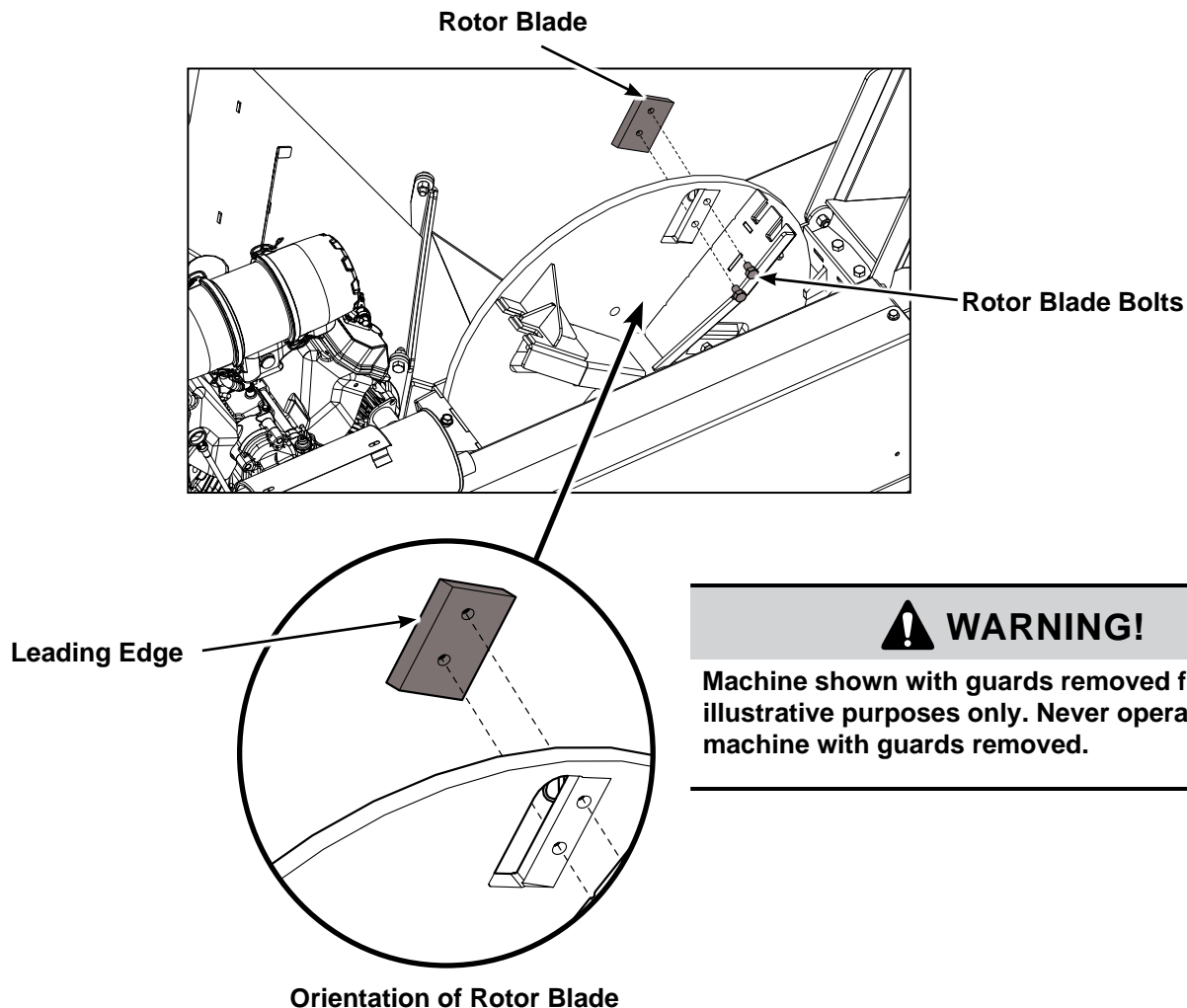
The rotor and ledger blades need to be sharp for the Chipper to perform as expected. Periodic inspection is recommended. Keep the blades sharp to reduce the amount of power required during operation. Watch the sharpness of the blades when processing material with a lot of sand, soil or dirt mixed with it. Reverse or sharpen the blades if the cutting edge becomes dull.

Rotor Blades:

The rotor is equipped with 2 blades (**BXT4213**, **BXT4224**) or 4 blades (**BXT6224**, **BXT6238**) spaced evenly to keep the rotor in balance. If one needs to be changed, the one opposite should also be changed.

It is recommended that the rotor blades be removed from the rotor when sharpening. Always sharpen the blades at a 45° angle to provide the best cutting effect as it meets the stationary blade. Be sure to tighten the blade mounting bolts to their specified torque when re-installing the blades to the rotor.

1. Ensure the engine is off (ignition switch is off and the fuel valve is closed).
2. Remove the bolt that secures the upper rotor housing, and carefully open the rotor housing.
3. Manually rotate chipper rotor plate so that the blade is fully exposed
4. Remove the bolts that hold the rotor blade to the rotor, remove the blade.
5. Rotate the blade and reinstall or replace with new or re-sharpened blade.
6. Ensure the blade is properly oriented, with the leading edge out. The blade is designed to fit into the rotor one way only. See diagram for proper installation.
7. Tighten down bolts as specified in the torque chart
8. Repeat steps for second blade.



WARNING!

Machine shown with guards removed for illustrative purposes only. Never operate machine with guards removed.

W001

Fig. 32–ROTOR BLADE

7.7 Ledger Blades:

Each machine is equipped with a ledger (stationary) blade that acts as a shear for the moving rotor blades.

The ledger blade is designed with 4 usable corners. When the corner facing the rotor blade rounds over, remove the blade and re-install with a different corner facing the rotor blade. It is recommended that the clearance between the rotor and stationary blades be set and maintained at 1/32 to 1/16" (.76 - 1.52 mm) to obtain the best performance.

1. Ensure the engine is off (ignition switch is off and the fuel valve is closed).
2. Remove the 2 bolts that hold the ledger blade to the ledger mount, remove the blade.
3. Rotate the blade and replace or replace with new or re-sharpened blade.
4. Hand tighten the bolts and set the clearance between the ledger and rotor blades at 1/32 - 1/16" (.76 - 1.52 mm). For fast and easy setting, use our chipper clearance setting gauge, available from your dealer (see accessories)
5. Tighten down bolts as specified in the torque chart

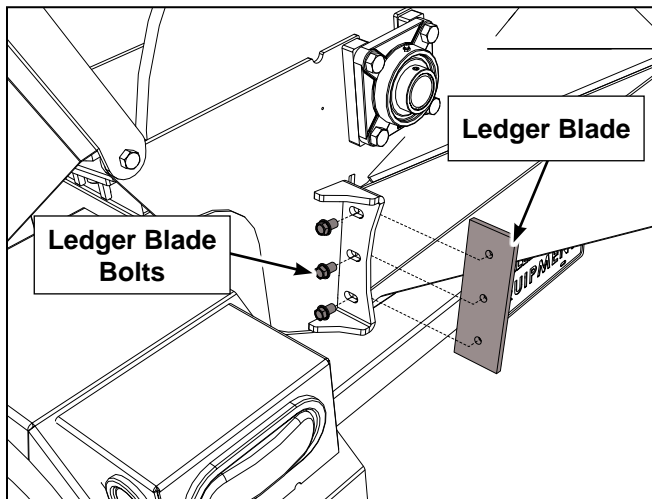


Fig. 33—LEDGER BLADE

WARNING!

Machine shown with guards removed for illustrative purposes only. Never operate machine with guards removed.

W001

7.8 Twig Breaker:

The Twig Breaker is a breaker tab located on side of the lower rotor housing. The discharge paddle passes around the twig breaker and helps to break the material into smaller pieces and turn it into mulch. Inspect the twig breaker for damage such as gouges, a bent, or missing tooth. A damaged twig breaker should be replaced. If the tooth is showing wear, remove and replace the twig breaker.

1. Ensure the engine is off (ignition switch is off and the fuel valve is closed).
2. Remove the 2 bolts and nuts that hold the twig breaker to the housing, remove the twig breaker.
3. Reverse the steps to install the new twig breaker.

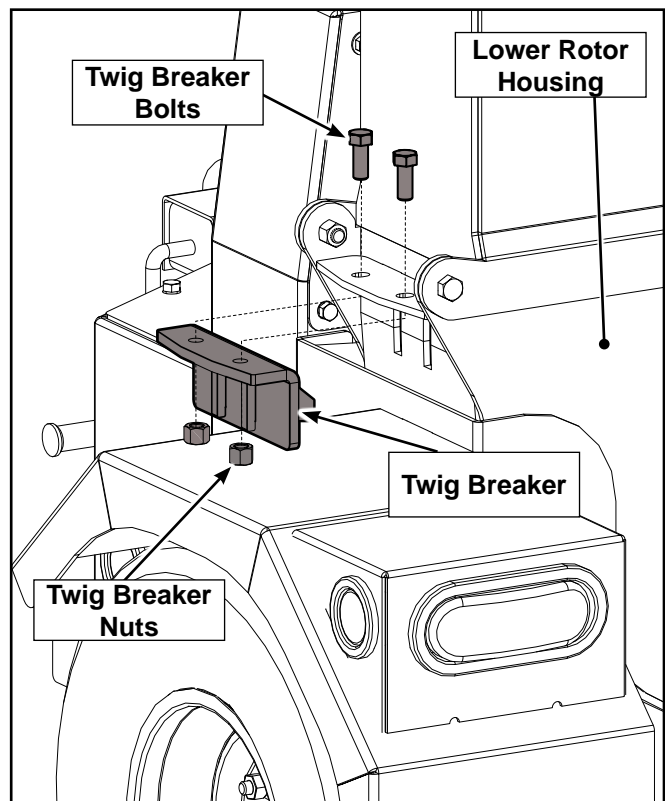














Fig. 34—TWIG BREAKER

8. Trouble Shooting

The Wallenstein Trailer Wood Chipper is designed with blades on a rotor to cut, shear and shred wooden material. It is a simple and reliable system that requires minimal maintenance.

In the following section, we have listed many of the problems, causes and solutions to the problems that you may encounter.

If you encounter a problem that is difficult to solve, even after having read through this trouble shooting section, please call your local distributor or dealer. Before you call, please have this Operator's Manual from your unit and serial number ready.

PROBLEM	CAUSE	SOLUTION	CAUTION	
Rotor does not turn	Obstructed discharge.	Clear debris from discharge chute.		Ensure machine is off
	Rotor plugged.	Inspect and clear chipper hopper lower rotor housing and rotor.		Ensure machine is off
	Broken shear pin	Replace shear pin.		Ensure machine is off
Slow feeding.	Low engine speed.	Throttle is set to specified speed (540 -1000)		
	Blades and/or knives are dull.	Rotate, sharpen or replace blade and/or knives.		Ensure machine is off
	Rotor blade angle wrong, improper angle.	Re-sharpen knives to specified angle and check that blade is installed properly.		Ensure machine is off
	Obstructed discharge.	Clear debris from discharge chute .		Ensure machine is off
Unusual vibration while running.	Broken or missing blade .	Replace broken/missing blade.		Ensure machine is off.
	Rotor may be bent	Check rotor to see if it wobbles. Replace rotor		Ensure machine is off, call technician for repair
Machine requires excessive power or stalls.	Obstructed discharge.	Clear debris from discharge chute .		Ensure machine is off
	Feeding in too much material	Feed smaller amounts into chipper hopper.		
	Feeding material too quickly	Feed larger material slowly into chipper hopper.		
	Rotor plugged.	Inspect and clear chipper hopper lower rotor housing and rotor.		Ensure machine is off
	Green material will not discharge.	Allow material to dry or alternate dry/wet material.		
	Chipper blade clearance too large.	Set clearance to 1/32 to 1/16 " (.76 - 1.52 mm). Use chipper clearance tool (see accessories)		Ensure machine is off.
	Dull blades.	Rotate, sharpen or replace blade		Ensure machine is off.
Engine related issues.	<i>Refer to your engine instruction manual for specific trouble shooting instructions / requirements.</i>			

9. Specifications

9.1 Mechanical

Model	BXT4213	BXT4224	BXT6224 / BXT6238
Drive System	Belt drive, centrifugal clutch		
Engine	13HP Honda	24HP Honda	24HP Honda / 38HP Kohler
Chipper Capacity	4" Dia.(10.1 cm) Max. 10" slab (25.4cm)		6" Dia.(15.2 cm) Max. 12" slab (30.5cm)
Chipper Housing Opening	4" x 10" 10.1cm x 25.4cm		6½" x 12" 16.5cm x 30.5cm
Rotor Size (Dia)	25" 63.5cm		30" 76.2cm
Number of Rotor Knives	2		4 Segmented
Knife Type	Hardened tool steel		
Rotor Weight	74 lb 33.6 kg		197 lb 89.4 kg
Feeding System Feed	Self Feed		
Mounting System	Trailer		
Dimensions (Hopper Folded) L x W x H	72" x 59" x 72" 203cm x 145cm x 183cm		86"L x 75"W x 88"H 203cm x 191cm x 224cm
Hopper Opening	20" x 20" 51cm x 51cm		25" x 25" 64cm x 64cm
Discharge Hood Rotation	360 degrees		
Discharge Hood Height	72" 183cm		88" 224cm
Rated RPM	1280		
Weight	785 lb 356 kg	825 lb 374 kg	1365 lb / 1385 lb 619 kg / 628 kg
Tire Size	4.8 x 8		20.5 x 8 - 10

SPECIFICATIONS SUBJECT TO CHANGE WITHOUT NOTICE


9.2 Common Bolt Torque Values

Checking Bolt Torque

The tables shown give correct torque values for various bolts and capscrews. Tighten all bolts to the torque values specified in the table, unless indicated otherwise. Check tightness of bolts periodically.

IMPORTANT! If replacing hardware, use fasteners of the same grade.

IMPORTANT! Torque figures indicated in the table are for non-greased or non-oiled threads. Do not grease or oil threads unless indicated otherwise. When using a thread locker, increase torque values by 5%.

 **NOTE:** Bolt grades are identified by their head markings.

Imperial Bolt Torque Specifications						
Bolt Diameter	Torque Value					
	SAE Gr. 2		SAE Gr. 5		SAE Gr. 8	
	lbf•ft	N•m	lbf•ft	N•m	lbf•ft	N•m
1/4"	6	8	9	12	12	17
5/16"	10	13	19	25	27	36
3/8"	20	27	33	45	45	63
7/16"	30	41	53	72	75	100
1/2"	45	61	80	110	115	155
9/16"	60	95	115	155	165	220
5/8"	95	128	160	215	220	305
3/4"	165	225	290	390	400	540
7/8"	170	230	420	570	650	880
1"	225	345	630	850	970	1320



Metric Bolt Torque Specifications				
Bolt Diameter	Torque Value			
	Gr. 8.8		Gr. 10.9	
	lbf•ft	N•m	lbf•ft	N•m
M3	0.4	0.5	1.3	1.8
M4	2.2	3	3.3	4.5
M6	7	10	11	15
M8	18	25	26	35
M10	37	50	52	70
M12	66	90	92	125
M14	83	112	116	158
M16	166	225	229	310
M20	321	435	450	610
M30	1,103	1 495	1,550	2 100



9.3 Wheel Lug Torque

It is extremely important safety procedure to apply and maintain proper wheel mounting torque on your trailer axle. Torque wrenches are the best method to assure the proper amount of torque is being applied to a fastener.

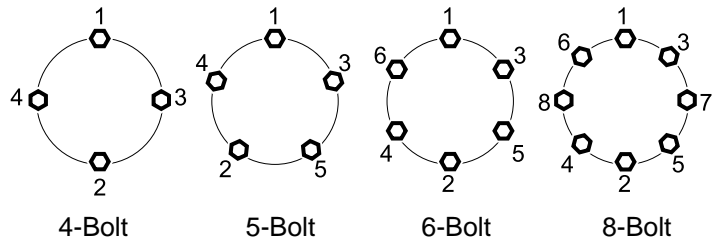
Wheel lugs should be torqued before first road use and after each wheel removal. Check and re torque after the first 10 miles (16 km), 25 miles (40 km), and again at 50 miles (80 km). Check periodically thereafter.

NOTE: *Wheel lugs must be applied and maintained at the proper torque levels to prevent loose wheels, broken studs, and possible dangerous separation of wheels from your axle.*

Wheel Lug Nut Torque				
Wheel Size	Units	1st Stage	2nd Stage	3rd Stage
8"	lbf•ft N•m	12–20 16–26	30–35 39–45.5	45–55 58.5–71.5
12"	lbf•ft N•m	20–25 26–32.5	35–40 45.5–52	50–60 65–78
13"	lbf•ft N•m	20–25 26–32.5	35–40 45.5–52	50–60 65–78
14"	lbf•ft N•m	20–25 26–32.5	50–60 65–78	90–120 117–156
15"	lbf•ft N•m	20–25 26–32.5	50–60 65–78	90–120 117–156
16"	lbf•ft N•m	20–25 26–32.5	50–60 65–78	90–120 117–156

Wheel Lug Torque Pattern

- Start all lugs by hand to prevent cross threading.
- Tighten lugs in sequence, per wheel lug torque sequence chart.
- The tightening of the fasteners should be done in stages. Following the recommended sequence, tighten fasteners per wheel torque requirements chart.



10. Product Warranty



Wallenstein products are warranted to be free of defects in materials and workmanship under normal use and service, for a period of

Five Years for Consumer Use

Two Years for Commercial/Rental Use

from the date of purchase, when operated and maintained in accordance with the operating and maintenance instructions supplied with the unit. Warranty is limited to the repair of the product and/or replacement of parts.

This warranty is extended only to the original purchaser and is not transferable.

Repairs must be done by an authorized dealer. Products will be returned to the dealer at the customer's expense. Include the original purchase receipt with any claim.

This warranty does not cover the following:

- 1) Normal maintenance or adjustments
- 2) Normal replacement of wearable and service parts
- 3) Consequential damage, indirect damage, or loss of profits
- 4) Damages resulting from:
 - Misuse, negligence, accident, theft or fire
 - Use of improper or insufficient fuel, fluids or lubricants
 - Use of parts or aftermarket accessories other than genuine Wallenstein parts
 - Modifications, alteration, tampering or improper repair performed by parties other than an authorized dealer
 - Any device or accessories installed by parties other than an authorized dealer
- 5) Engines. Engines are covered by the manufacturer of the engine for the warranty period they specify. For the details of your engine warranty, see your engine owner's manual. Information about engine warranty and service is also available in the FAQ section at www.wallensteinequipment.com

11. Index

B		L	
Ball hitch	24	Latch	32
Belt Tension.....	38	Ledger Blades.....	41
Bolt torque.....	44	Lubricants	34
BXT4213 Engine Controls	19		
BXT4224 & BXT6224 Engine Controls	21	M	
BXT6238 Engine Controls	22	Machine Break-In.....	26
		Machine Set-Up	27
C		Maintenance Schedule	35
Checking Bolt Torque	44	Manual Start, BXT4213.....	28
Chipping Operation	29		
Choke Knob	21	O	
Choke Lever.....	19	Oil Level Alert.....	22
Common Bolt Torque Values.....	44	Operating Instructions.....	25
Controls		Before Startup	26
BXT4213 Engine Controls	19	Chipping Operation.....	29
BXT4224 & BXT6224 Engine Controls	21	Safety Rules.....	25
BXT6238 Engine Controls	22		
Choke Lever.....	19	P	
Engine.....	19	Personal Protective Equipment (PPE)	8
Engine Controls		Pre-Operation Checklist.....	26
Choke Knob	21	Product Warranty	46
Engine Start Switch.....	22		
Throttle Lever.....	21	R	
Fuel Shut-off Valve.....	20	Rotor Blade	40
Hour Meter	23	Rotor Blade Maintenance	40
		Rotor jam	30
D			
Drive Belt Replacement	37	S	
		Safe Condition	8, 25, 34
E		Safety	7
Emergency.....	28	Battery Safety	9
Engine.....	34	Being Prepared.....	9
Engine Controls	19	Gas Motor Safety.....	10
Fuel Shut-off Valve.....	20	Refueling Safety.....	9
Ignition Switch.....	19	Safe Condition	8
Recoil Starter	20	Safety Alert Symbol.....	7
Throttle Lever.....	20	Safety Rules.....	7
Engine Fuel.....	34	Signal Words.....	7
Engine Hours	22	Tire Safety.....	9
Engine Oil	34	Why Safety is Important.....	7
Engine Start Switch.....	22	Safety Alert Symbol.....	7
Equipment Safety Guidelines.....	8	Safety Rules.....	7, 25
		Safety Sign Explanations	14
F		Safety Sign Locations	12
Fuel Shut-off Valve	20	Safety Signs	12
Fuel supply valve	28	Safety Sign Explanations	14
Fuel tank	31	Safety Sign Locations	12
		Safety Training	8
G		Service and Maintenance	
Gas Motor Safety	10	Maintenance Safety	34
Grease	34	Specifications	43
Grease Points	36	Starter	20
		Swivel jack	32
H			
Honda GX390	34	T	
Honda GX690	34	Throttle Lever.....	20, 21
Hopper latch.....	27	Troubleshooting guide.....	42
Hour Meter	23	Twig Breaker	41
I		W	
Ignition Switch.....	19	Wheel Lug Torque	45
K			
Kohler CH980	34		

WALLENSTEIN