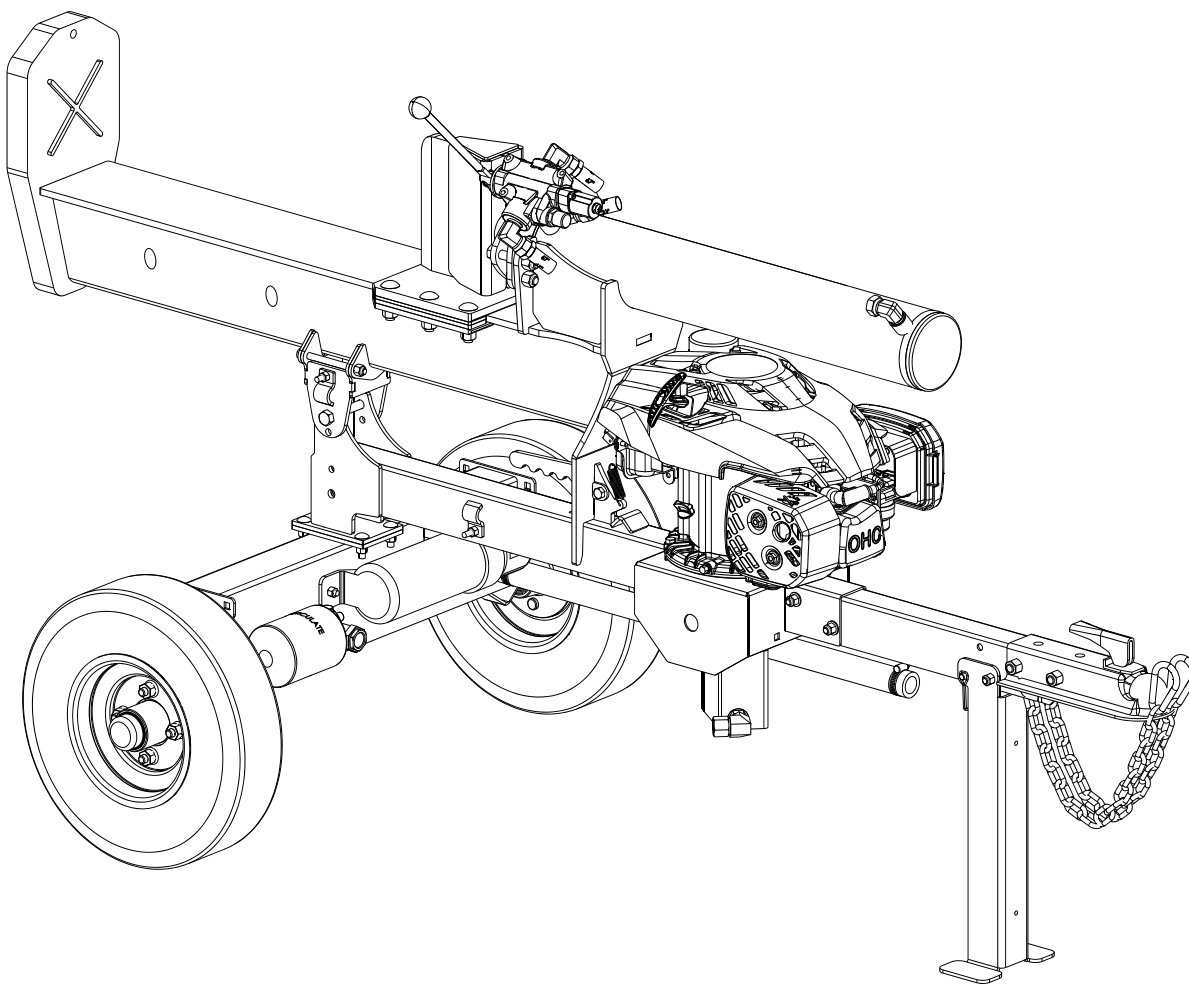




EMB Manufacturing Inc.
4144 Boomer Line · St. Clements, On · N0B 2M0 · Canada
Ph: (519) 699-9283 · Fax: (519) 699-4146
www.embmfg.com

WE230 Trailer Log Splitter Parts Manual

S/N 150254 to 150380



Refer to the operators
manual for safe
operation and
maintainance

2064T800 WE230 RevB1Parts Manual
Rev B1 090915

Foreword

EMB Mfg. has prepared this parts manual to assist customers in ordering quality OEM replacement parts.

Proper and regular service and replacing old, worn or broken parts with the correct OEM parts are essential to prolonging the life of your EMB product. Please refer to this manual before ordering any replacement parts.

All information contained in this parts manual is based on the latest product specification available at the time of printing this manual. If your product differs from the specifications contained within this manual contact EMB Mfg. for information.

EMB reserves the right to alter specifications on their products at any time.

Reproduction of this parts manual of any kind is prohibited without prior written permission from EMB Mfg.

Bolt Torque.....	4
Hydraulic Fitting Torque	5
Main Assembly	6
Horizontal / Vertical Cylinder Assembly	7
Valve Assembly:.....	8
Cylinder Ass'y	9
Engine and Pump Ass'y	10
Label Layout.....	11

Bolt Torque

CHECKING BOLT TORQUE

The tables shown below give correct torque values for various bolts and capscrews. Tighten all bolts to the torques specified in chart unless otherwise noted. Check tightness of bolts periodically, using bolt torque chart as a guide. Replace hardware with the same strength bolt.

Torque figures indicated above are valid for non-greased or non-oiled threads and heads unless otherwise specified. Therefore, do not grease or oil bolts or capscrews unless otherwise specified in this manual. When using locking elements, increase torque values by 5%.

* Torque value for bolts and capscrews are identified by their head markings.

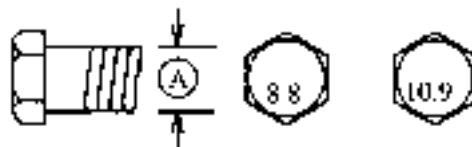
ENGLISH TORQUE SPECIFICATIONS

Bolt Diameter "A"	Bolt Torque*					
	SAE 2 (N.m) (lb-ft)		SAE 5 (N.m) (lb-ft)		SAE 8 (N.m) (lb-ft)	
1/4"	8	6	12	9	17	12
5/16"	13	10	25	19	36	27
3/8"	27	20	45	33	63	45
7/16"	41	30	72	53	100	75
1/2"	61	45	110	80	155	115
9/16"	95	60	155	115	220	165
5/8"	128	95	215	160	305	220
3/4"	225	165	390	290	540	400
7/8"	230	170	570	420	880	650
1"	345	225	850	630	1320	970



METRIC TORQUE SPECIFICATIONS

Bolt Diameter "A"	Bolt Torque*			
	8.8 (N.m) (lb-ft)		10.9 (N.m) (lb-ft)	
M3	.5	.4	1.8	1.3
M4	3	2.2	4.5	3.3
M5	6	4	9	7
M6	10	7	15	11
M8	25	18	35	26
M10	50	37	70	52
M12	90	66	125	92
M14	140	103	200	148
M16	225	166	310	229
M20	435	321	610	450
M24	750	553	1050	774
M30	1495	1103	2100	1550
M36	2600	1917	3675	2710



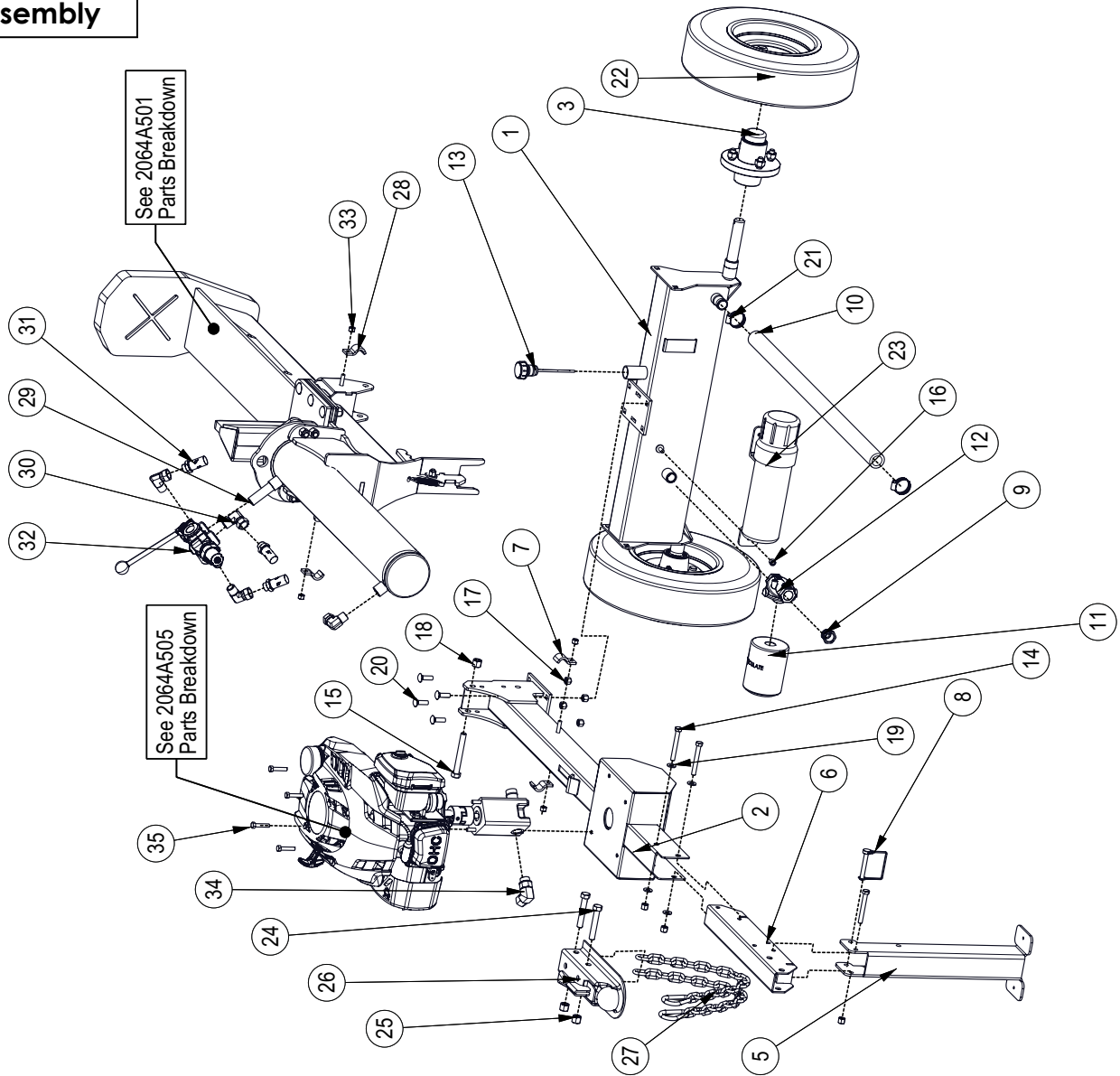
Hydraulic Fitting Torque**Tightening Flare Type Tube Fittings ***

1. Check flare and flare seat for defects that might cause leakage.
2. Align tube with fitting before tightening.
3. Lubricate connection and hand tighten swivel nut until snug.
4. To prevent twisting the tube(s), use two wrenches. Place one wrench on the connector body and with the second tighten the swivel nut to the torque shown.

Tube Size OD	Nut Size Across Flats	Torque Value*		Recommended Turns To Tighten (After Finger Tightening)	
		(N.m)	(lb-ft)	(Flats)	(Turn)
3/16	7/16	8	6	1	1/6
1/4	9/16	12	9	1	1/6
5/16	5/8	16	12	1	1/6
3/8	11/16	24	18	1	1/6
1/2	7/8	46	34	1	1/6
5/8	1	62	46	1	1/6
3/4	1-1/4	102	75	3/4	1/8
7/8	1-3/8	122	90	3/4	1/8

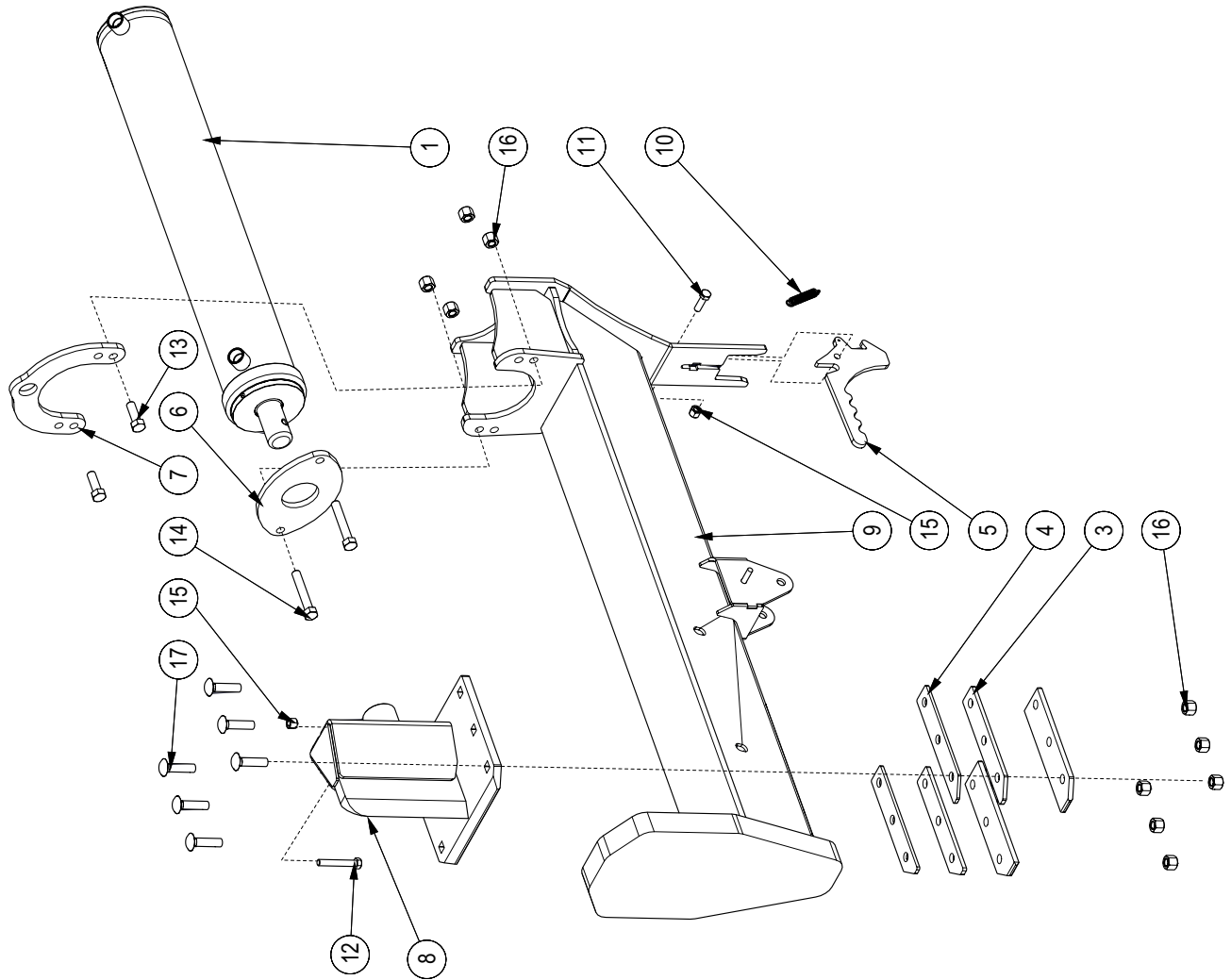
The torque values shown are based on lubricated connections as in reassembly.

Main Assembly



BOM ID	Part Number	Description	Qty
1	2064W502	Tank Weldment	1
2	2064W516	Tongue Weldment	1
3	Z91202	Assembly, 1000# 4-Bolt Hub	2
5	2064L575	Leg	1
6	2064W517	Hitch Beam	1
7	6011L128	Single Hose Clamp	2
8	Z12432	Snap Lock Pin, 3/8" x 2-1/2"	1
9	Z51221	Straight, MP x FP 1208	1
10	Z52407	Suction Hose, 1" x 30"	1
11	Z55301	Oil Filter - 3/4 - Particulate	1
12	Z55302	Filter Cap, 3/4 x 3/4	1
13	Z55402	Vented Plug Dipstick x 5	1
14	Z71330	Hex Bolt, 3/8NC x 3"	3
15	Z71540	Hex Bolt, 1/2NC x 4"	1
16	Z72221	Hex Lock Nut, 5/16NC	9
17	Z72231	Hex Lock Nut, 3/8NC	7
18	Z72251	Hex Lock Nut, 1/2NC	1
19	Z73131	SAE Washer, 3/8"	4
20	Z76232	Carriage Bolt, 3/8NC x 1-1/4"	4
21	Z79401	Hose Clamp, SAE #16 (1-1/2")	2
22	Z91301	4.80-8 LRB SportTrail	2
23	Z96503	Manual Tube 3-1/2 Short	1
24	Z71530	Hex Bolt, 1/2NC x 3"	2
25	Z72251	Hex Lock Nut, 1/2NC	2
26	Z91614	2" Hitch Coupler	1
27	Z92303	Safety Chain 1/4 x 2'	2
28	6011L128	Single Hose Clamp	2
29	Z51113	Pipe Nipple, MP08 x 3"	1
30	Z51331	Elbow 90, MP x FFX 0808	4
31	Z52512	Hose End x MP 0808	3
32	Z56209	Single Spool Valve, OC Tandem SCDK x 18GPM	1
33	Z72221	Hex Lock Nut, 5/16NC	1
34	Z51383	Elbow 90, MORB x FFX 0808	1
35	Z71215	Hex Bolt, 5/16NC x 1-1/2"	4

Horizontal / Vertical Cylinder Assembly



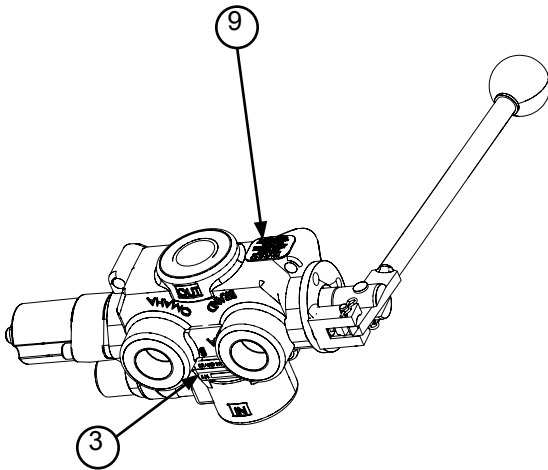
2064A501 PARTS BREAKDOWN

BOM ID	Part Number	Description	Qty
1	2011C101	Cylinder, 4 x 24 x 1-1/2	1
3	2064L511	Spacer, Gibb	2
4	2064L512	Thin Spacer, Gibb	2
5	2064L524	Latch	1
6	2064L563	Gland Clamp Plate	1
7	2064L564	Cylinder Saddle	1
8	2064W503	Weldment, Splitting Wedge	1
9	2064W515	Weldment, Main Splitter Bed	1
10	Z31304	Ext Spring, 1/2" OD x 2-1/2" x .063"	1
11	Z71312	Hex Bolt, 3/8NC x 1-1/4"	1
12	Z71325	Hex Bolt, 3/8NC x 2-1/2"	1
13	Z71515	Hex Bolt, 1/2NC x 1-1/2"	2
14	Z71530	Hex Bolt, 1/2NC x 3"	2
15	Z72231	Hex Lock Nut, 3/8NC	2
16	Z72251	Hex Lock Nut, 1/2NC	10
17	Z76255	Carriage Bolt, 1/2NC x 2"	6

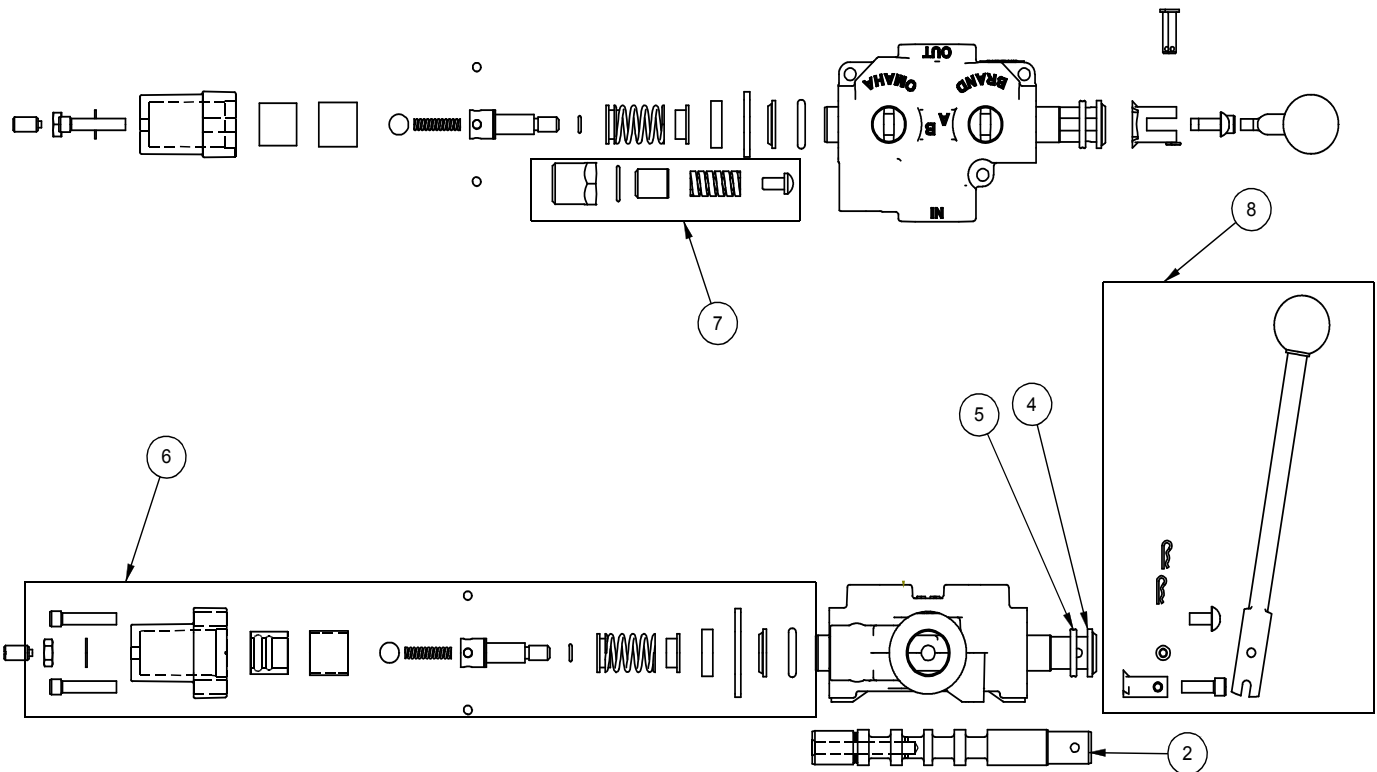
Valve Assembly:

**Single Function, Detent
#Z56209**

Valve & Fittings



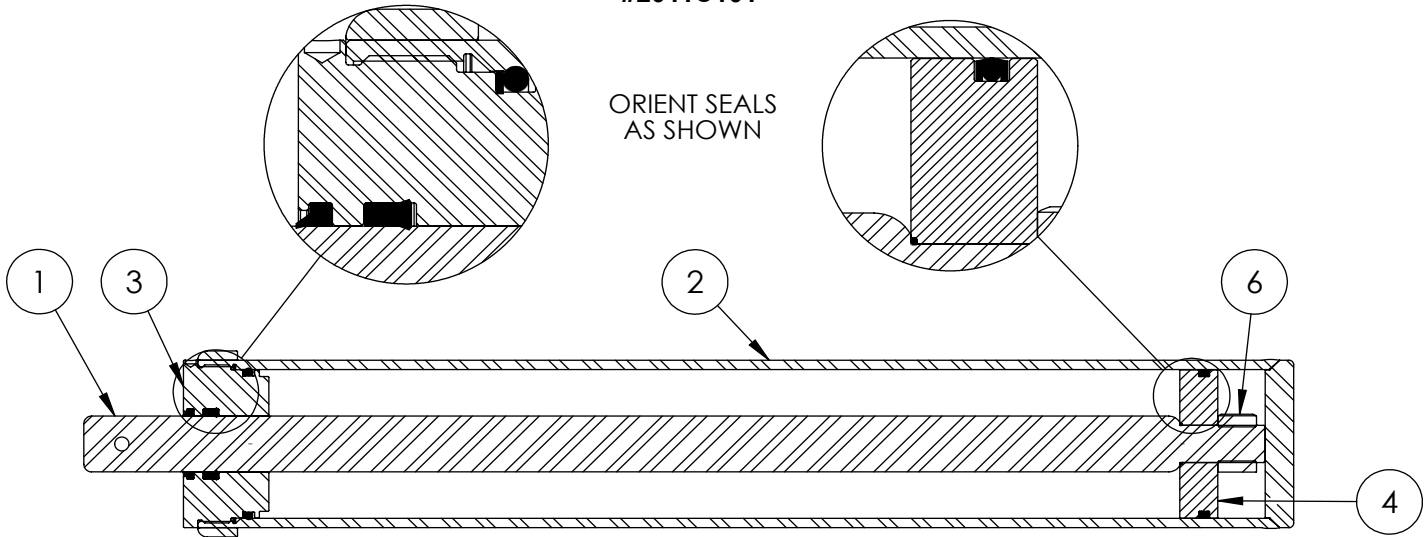
ITEM NO.	QTY.	PART NO.	DESCRIPTION
1	1	AOCASTB	AO CASTING
2	1	LS304T4J	SPOOL
3	1	P1740	NAME TAG
4	1	SF305	WIPER
5	1	SF304	QUAD RING
6	1	SUB-LS	SUB-LS
	1	B5057	7/16 BALL
	4	DC7604	3/16 BALL
	1	SF306	RETAINER
	1	SF477L	SH LS ENDCAP
	1	XDC672	LS SLEEVE
	1	SF483	SPACER
	2	SF486	ALLEN SCREW
	2	SF489	CENTER STOP
	1	SF490	CENTERING SPRING
	1	SF492	HOUSING
	1	SF315	SPACER
	1	LS305	DETENT SPRING
	1	DC7583	O-RING 3-902
	1	SF496	O-RING, BLUE, METRIC
	1	LS306	LS WIPER
	1	SF502	5/16 LOCK WASHER
	1	SF503	PLUNGER, SPRING
	1	SF504	5/16 HEX JAM NUT
7	1	SUB-R	RELIEF
	1	P1603	CAP NUT
	1	SF322	O-RING 2-016
	1	SF364A	ADJ. SCREW
	1	B505	SPRING
	1	SF361A	POPPET
8	1	Z56915	HANDLE KIT
	1	SF377	RETAINER
	1	SF376	SEAL RETAINER
	1	SF367A	CLEVIS
	1	SF368	HANDLE
	2	SF369	PIN
	2	P1767	PIN CLIP
	1	HP5	MACH. SCREW
	1	SF311	KNOB
	1	SF308	CAP SCREW
	1	SF303T4J	SPOOL
9	1	P1654	WARNING TAG



Cylinder Ass'y

**4.00 x 24.00 x 1.50
#2011C101**

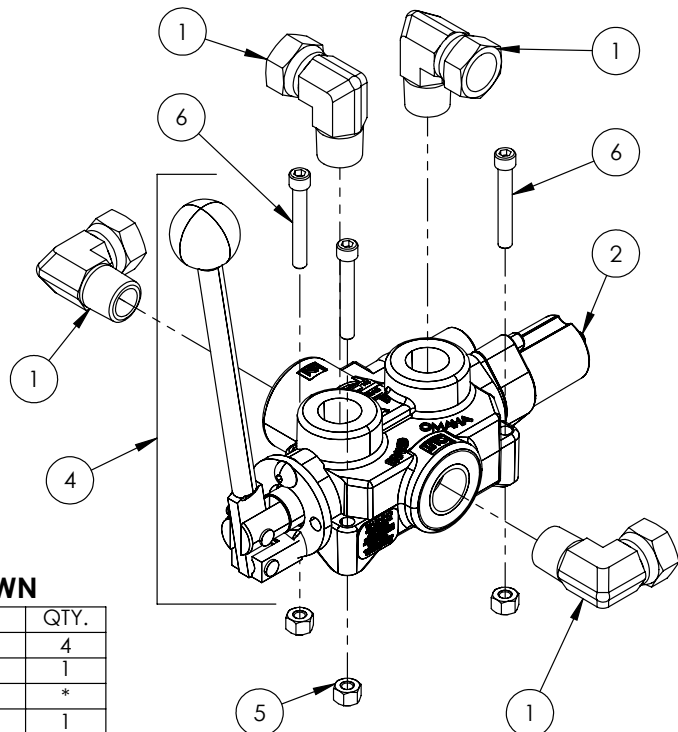
ORIENT SEALS
AS SHOWN



4" x 24" STROKE CYLINDER PARTS

ITEM	PART NO.	Description	QTY.
1	2011C1012	Rod, 1-1/2 x 1	1
2	2011C1014	Barrel, 4"	1
3	G400-150SA	4" Bore x 1-1/2" Rod Gland	1
4	P100-400SA	4" Bore Piston	1
5	SLK-4015	Seal Kit, 4 x 1-1/2	1
6	Z72292G8	Hex Lock Nut 1NF Grade 8	1

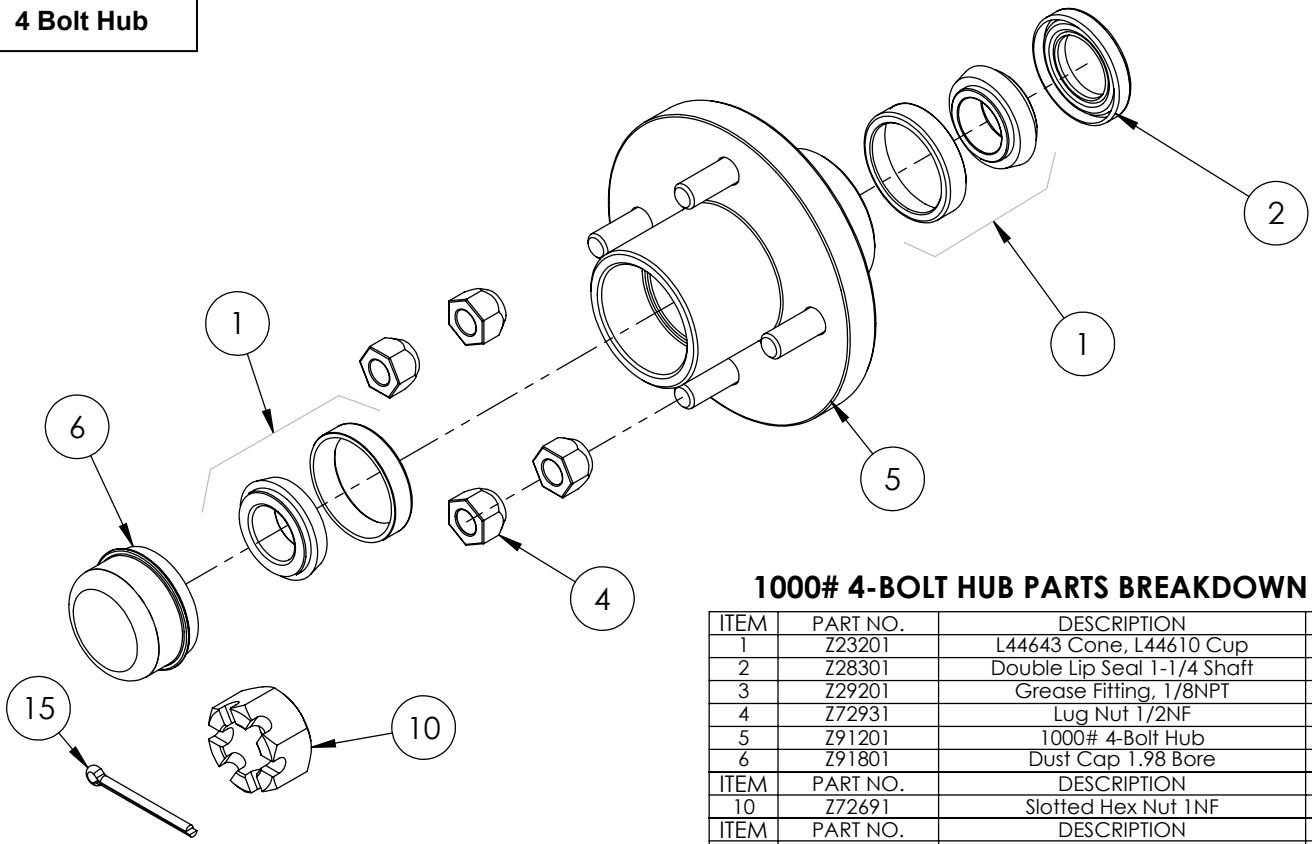
Valve Ass'y



VALVE AND FITTINGS PARTS BREAKDOWN

ITEM	PART NO.	Description	QTY.
1	Z51331	Elbow 90 MP x FPX 0808	4
2	Z56209	Valve, Single Function Detent	1
3	*Z56210*	Valve, Closed Center	*
4	Z56915	Complete Handle Kit for Z56209	1
5	Z72111	Hex Lock Nut 1/4NC	3
6	Z75114	SHCS, 1/4NC x 1-3/4	3

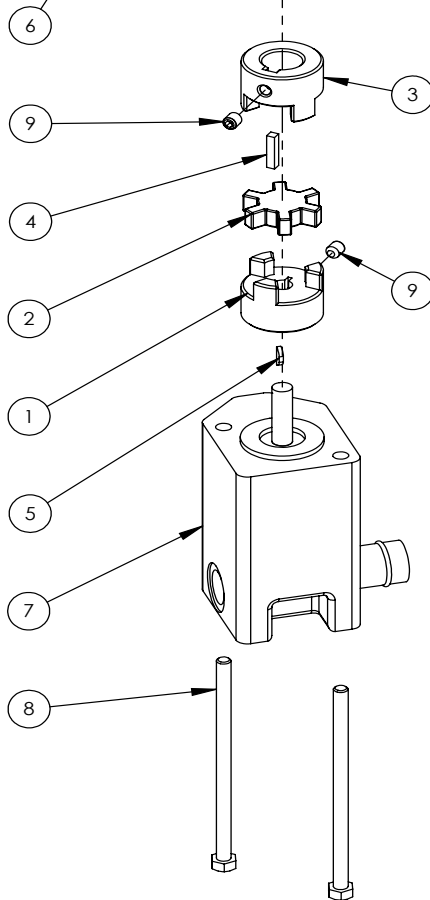
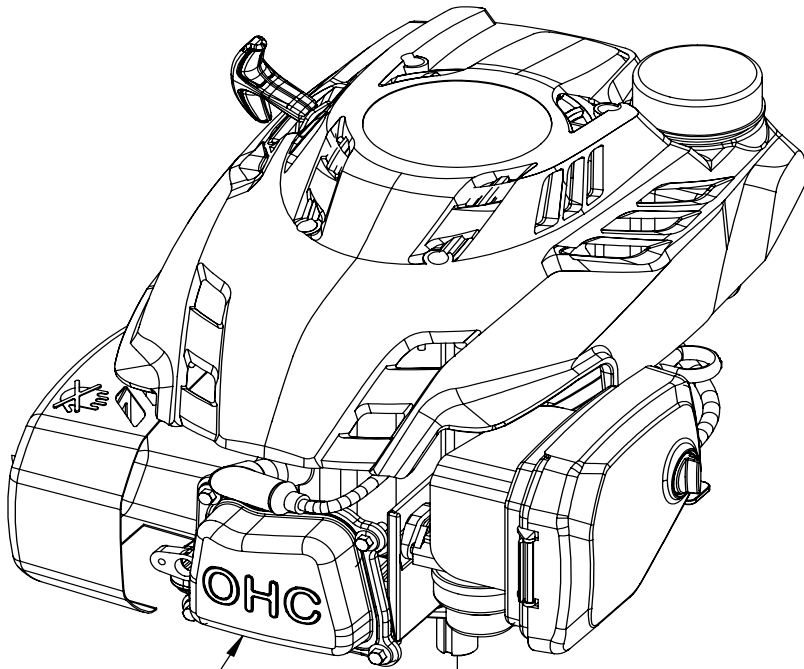
4 Bolt Hub



1000# 4-BOLT HUB PARTS BREAKDOWN

ITEM	PART NO.	DESCRIPTION	QTY
1	Z23201	L44643 Cone, L44610 Cup	2
2	Z28301	Double Lip Seal 1-1/4 Shaft	1
3	Z29201	Grease Fitting, 1/8NPT	1
4	Z72931	Lug Nut 1/2NF	4
5	Z91201	1000# 4-Bolt Hub	1
6	Z91801	Dust Cap 1.98 Bore	1
ITEM	PART NO.	DESCRIPTION	QTY
10	Z72691	Slotted Hex Nut 1NF	1
ITEM	PART NO.	DESCRIPTION	QTY
15	Z12322	Cotter Pin 3/16 X 2	1

Engine and Pump Ass'y



2064A505 PARTS BREAKDOWN

ITEM	PART NO.	DESCRIPTION	QTY
1	Z46407	Shaft Coupler L075 x 7/16	1
2	Z46408	Coupler Spider L075	1
3	Z46433	Lovejoy Coupler, L075 x 7/8"	1
4	Z46521	Key, 3/16 x 3/16 x 7/8	1
5	Z46591	Woodruff Key, 3/32 x 1/2	1
6	Z47711	Subaru EA190V	1
7	Z53201	Pump, Two-Stage 11gpm	1
8	Z71255	Hex Bolt, 5/16NC x 5-1/2	2
9	Z74121	Set Screw 5/16NC	2

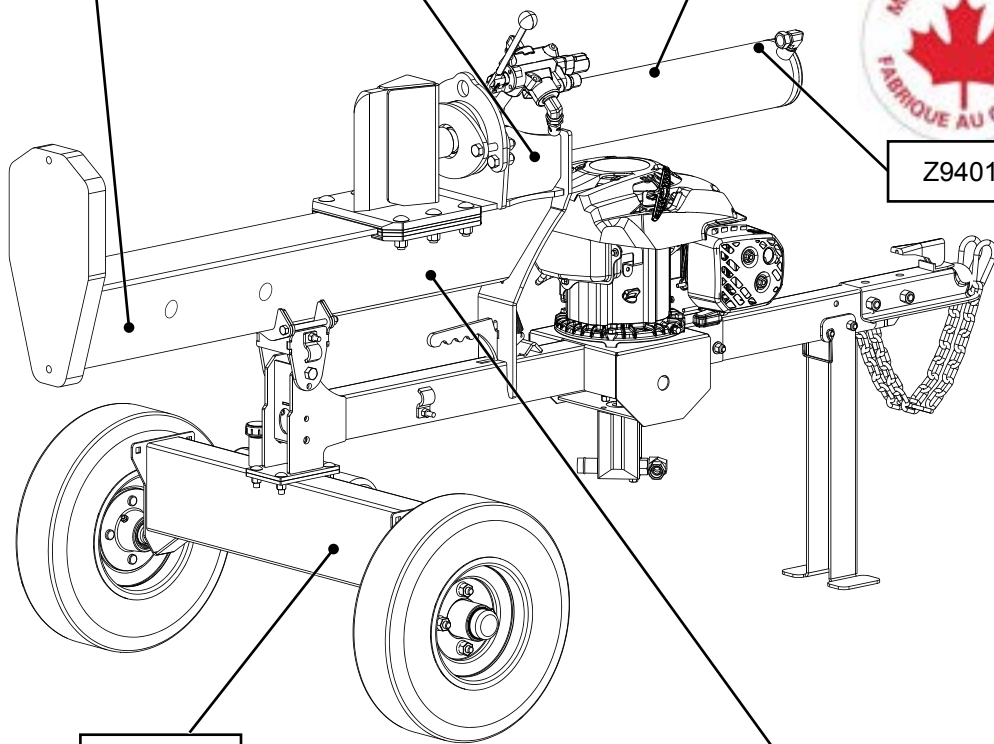
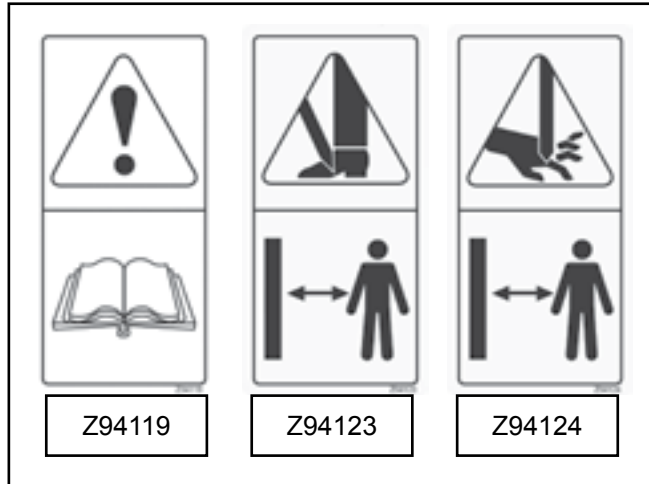
Label Layout



Z94019 x 2



Z94019

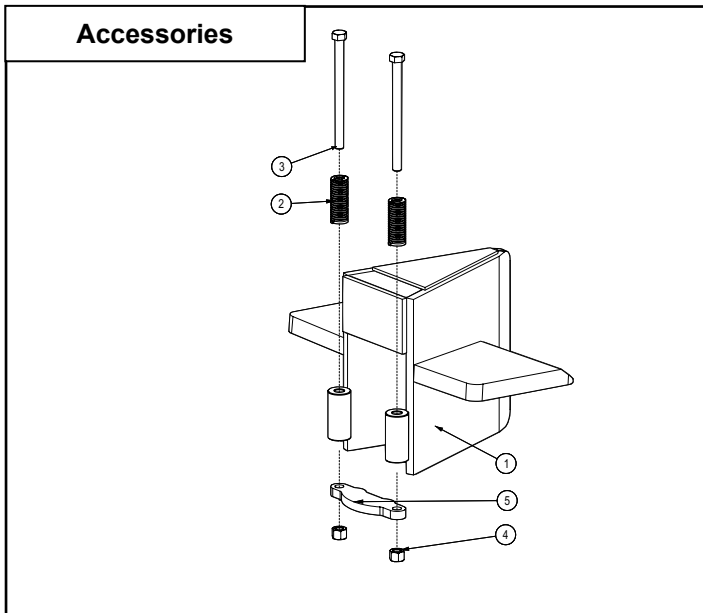


Z94019

Serial Plate Location

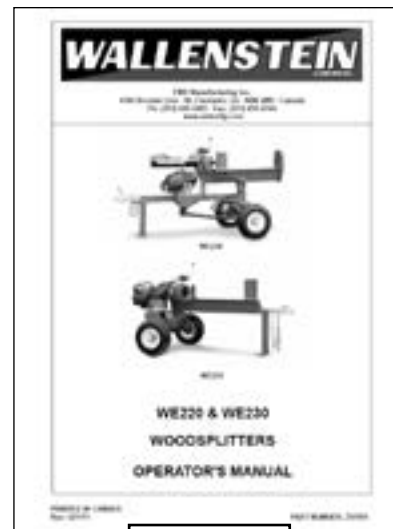
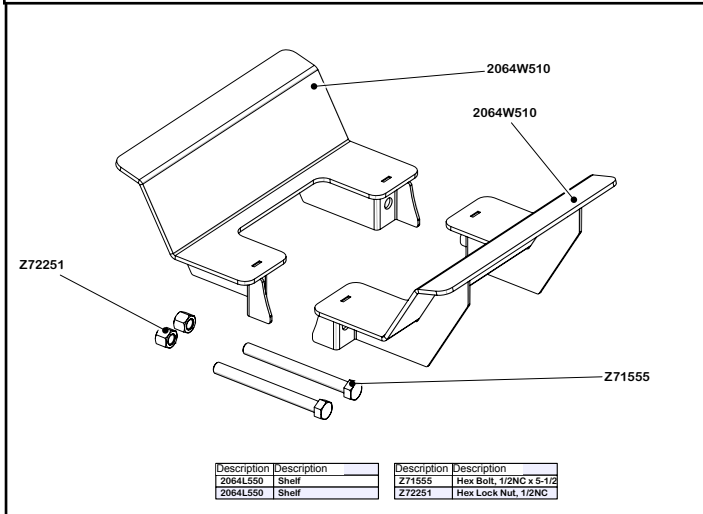


Z94056 x 2



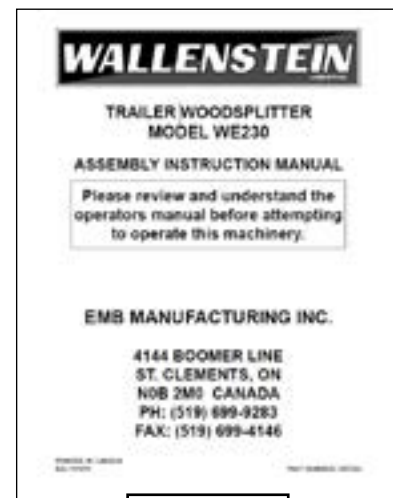
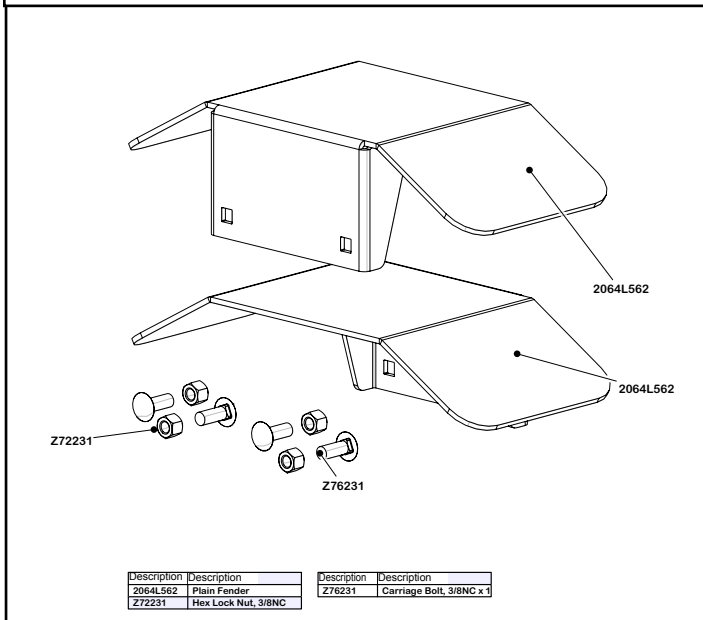
Aerosol Touch-up Paint	
Part No.	Color
Z9011	Kubota Orange
Z9012	John Deere Green
Z9013	Bristol Green
Z9014	Ford Tractor Blue
Z9015	Red
Z9017	Gloss Black
Z9018	Granite Grey
Z9019	Caterpillar Yellow
Z9020	New Holland Blue

#4120 4-Way Wedge
#Z97801 Installation Instructions included



Z97059

#2064A520 Shelf Kit



Z97502

#2064A515 Plain Fender Kit

Available as downloads at www.embmfg.com

