



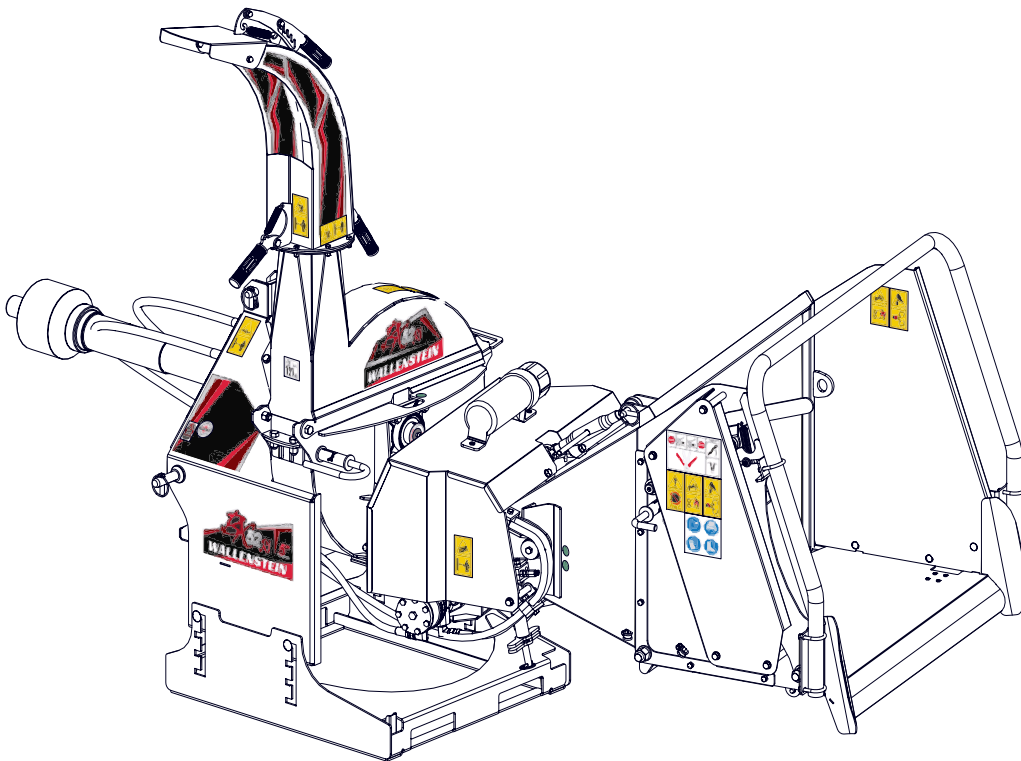
EMB Manufacturing Inc.
4144 Boomer Line · St. Clements, Ontario · N0B 2M0 · Canada
www.wallensteinequipment.com

PARTS MANUAL

BX52R & BX52RI

3 PH Roller Feed Chipper

Serial Number 152R2 to 152R558



Foreword

EMB Manufacturing has prepared this parts manual to assist customers in ordering quality OEM replacement parts.

Regular maintenance, and replacing old, worn or broken parts with the correct OEM parts, is essential in prolonging the life of your EMB product. Please refer to this manual to identify replacement parts.

To order parts, contact your Wallenstein dealer or distributor. Have the product model and serial number handy.

If your dealer is no longer available, please go to our website: <http://www.wallensteinequipment.com> and click on the [Dealer Locator](#) to find the nearest dealer.

All information contained in this parts manual is current as per the revision date at the bottom of the page. EMB reserves the right to change product specifications at any time without notice.

If your product specifications differ from those contained in this manual, contact EMB Manufacturing for information.

Reproduction of this parts manual of any kind is prohibited without prior written permission from EMB Manufacturing.



WARNING!

Refer to the operators manual for safe operation and maintenance.

Maintenance should be performed by trained personnel only.

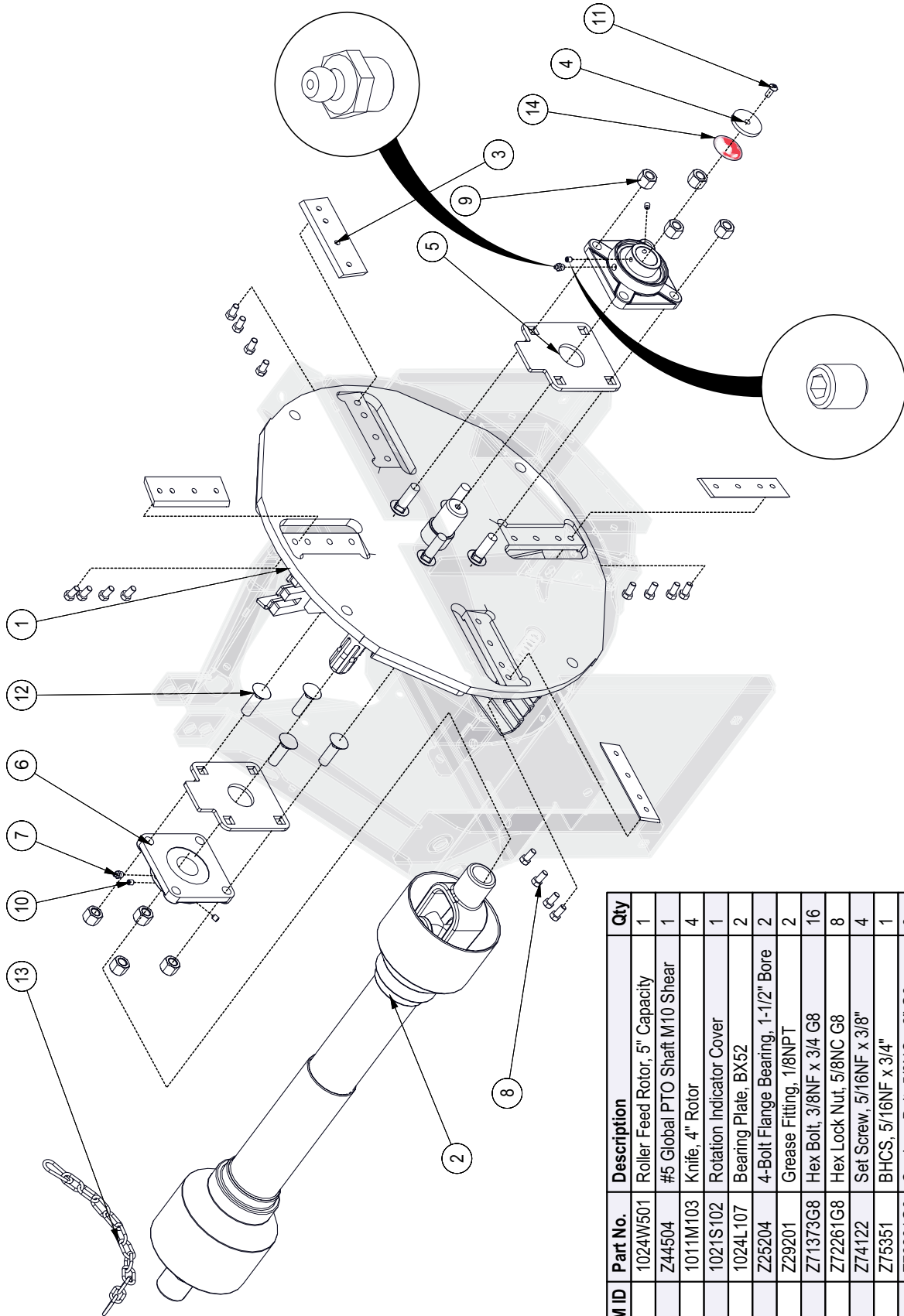
BX52 Variation Chart

| BX Option Cross Reference | | | Option | | | |
|---------------------------|----------|--------|-----------|-------------|-------------|----------------|
| | | | Self Feed | Roller Feed | Intellifeed | Revision Level |
| Model | BX52SEU | BX52S | x | | | # |
| | BX52REU | BX52R | | x | | # |
| | BX52RIEU | BX52RI | | x | x | # |

Contents

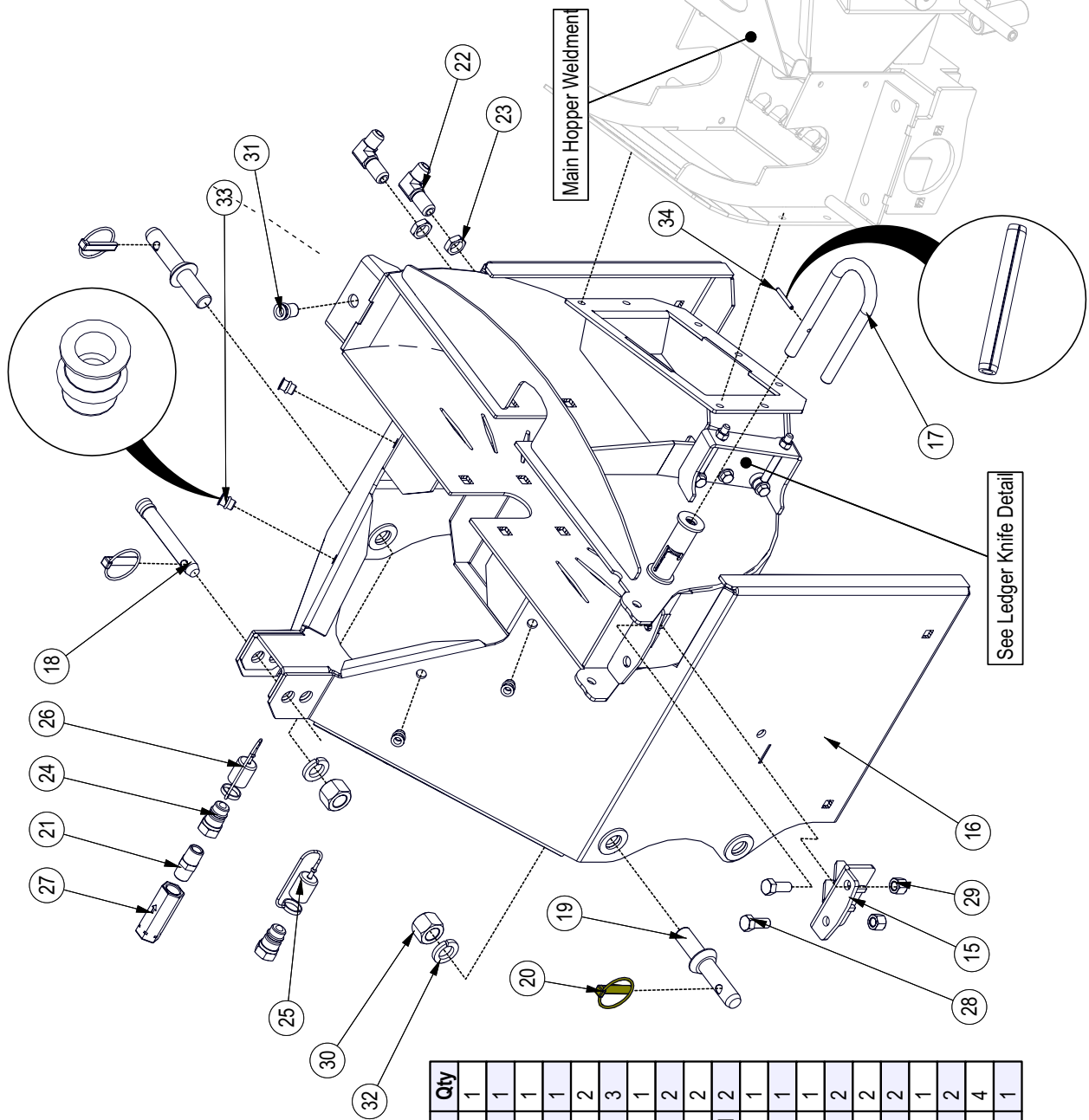
| | |
|--|-----------|
| BX52 Variation Chart | 2 |
| Rotor Assembly..... | 4 |
| Lower Rotor Housing | 5 |
| Ledger Knife Detail | 6 |
| Upper Rotor Housing..... | 6 |
| Discharge Chute | 7 |
| Upper Roller Detail..... | 8 |
| Right Upper Roller Pivot Assembly | 9 |
| Left Upper Roller Pivot Assembly | 10 |
| Lower Roller Assembly | 11 |
| Main Hopper Assembly | 12 |
| Feed Table Assembly | 13 |
| Roller Valve Detail | 14 |
| Feed Roller Control Detail | 14 |
| Intellifeed Roller Control Components | 15 |
| Intellifeed Components | 15 |
| PTO Shaft #Z44504 | 16 |
| Intellifeed Wiring Diagram #Z62109 | 17 |
| Hydraulic Hose Parts List | 18 |
| Hydraulic Plumbing Diagram BX52R | 19 |
| Hydraulic Plumbing Diagram BX52RI | 19 |
| Decals – Left Side View | 20 |
| Decals – Right Side View | 21 |
| Accessories..... | 22 |
| Bolt Torque | 23 |
| Hydraulic Fitting Torque..... | 24 |

Rotor Assembly



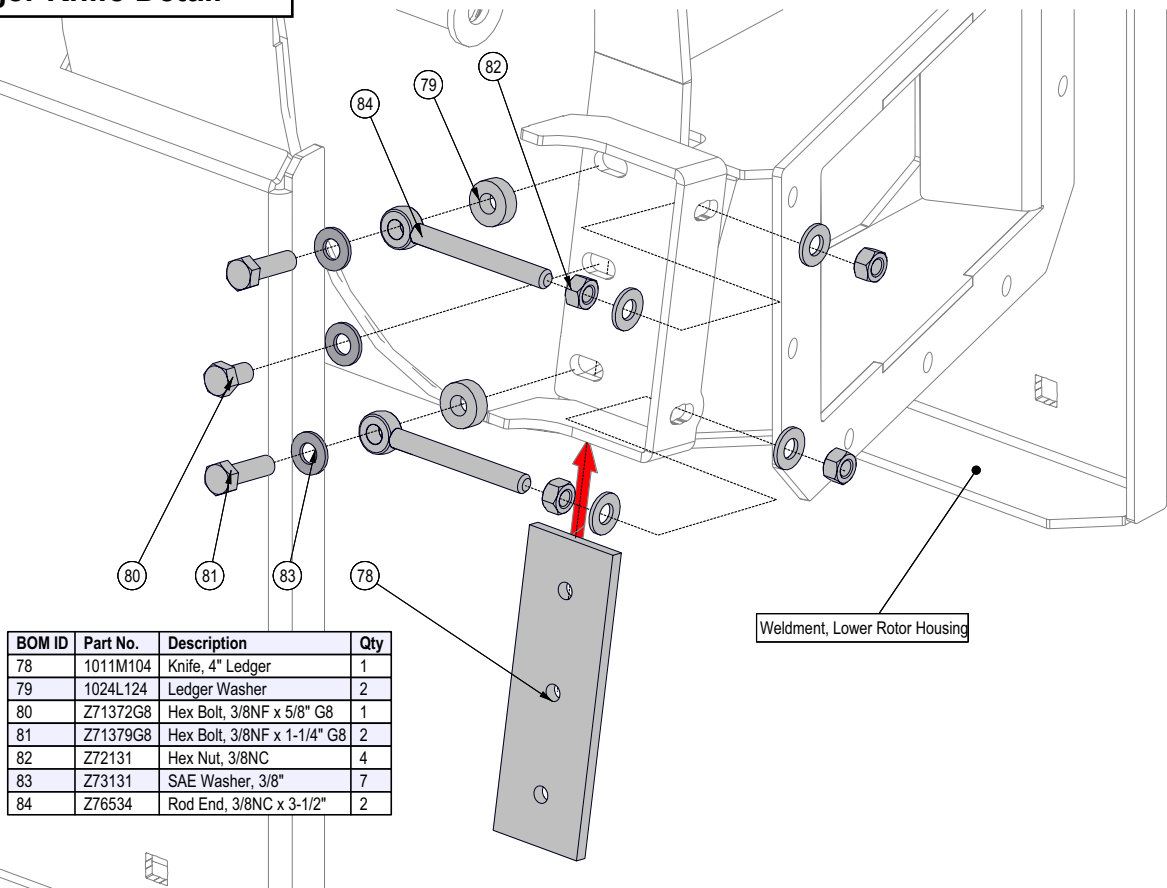
| BOM ID | Part No. | Description | Qty |
|--------|----------|------------------------------------|-----|
| 1 | 1024W501 | Roller Feed Rotor, 5" Capacity | 1 |
| 2 | Z44504 | #5 Global PTO Shaft M10 Shear | 1 |
| 3 | 1011M103 | Knife, 4" Rotor | 4 |
| 4 | 1021S102 | Rotation Indicator Cover | 1 |
| 5 | 1024L107 | Bearing Plate, BX52 | 2 |
| 6 | Z25204 | 4-Bolt Flange Bearing, 1-1/2" Bore | 2 |
| 7 | Z29201 | Grease Fitting, 1/8NPT | 2 |
| 8 | Z71373G8 | Hex Bolt, 3/8NF x 3/4 G8 | 16 |
| 9 | Z72261G8 | Hex Lock Nut, 5/8NC G8 | 8 |
| 10 | Z74122 | Set Screw, 5/16NF x 3/8" | 4 |
| 11 | Z75351 | BHCS, 5/16NF x 3/4" | 1 |
| 12 | Z76261G8 | Carriage Bolt, 5/8NC x 2" G8 | 8 |
| 13 | Z92310 | Chain 3/16" x 12" double hook ends | 1 |
| 14 | Z94208 | Clockwise Rotation Label | 1 |

Lower Rotor Housing



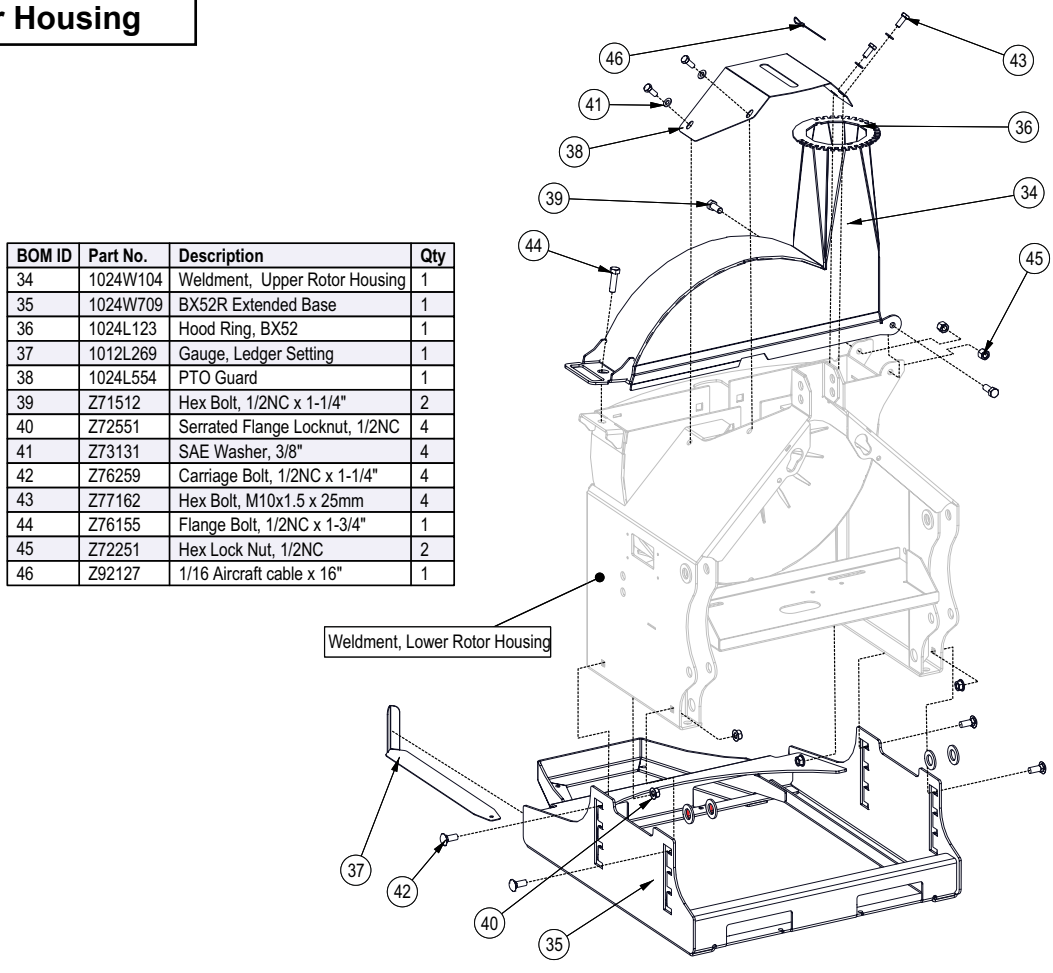
| BOM ID | Part No. | Description | Qty |
|--------|----------|--------------------------------------|-----|
| 15 | 1024W103 | Twig Breaker, BX52 | 1 |
| 16 | 1024W502 | Weldment, Lower Rotor Housing | 1 |
| 17 | 1082M402 | Locking Plunger | 1 |
| 18 | Z11122 | Toplink Pin, 3/4" x 3-7/8" | 1 |
| 19 | Z11431 | Implement Pin, 7/8" x 1-3/4" x 7/8NF | 2 |
| 20 | Z12140 | Lynch Pin, 7/16" | 3 |
| 21 | Z51122 | Straight, MP x MP 0808 | 1 |
| 22 | Z51492 | Elbow 90, MJIC x BH 0808 | 2 |
| 23 | Z51493 | BH Locknut, 08 | 2 |
| 24 | Z51926 | Quick Coupler, FP08 x M ISO 7241-1 | 2 |
| 25 | Z52831 | Nipple Cap, ISO 7241-1 x Red | 1 |
| 26 | Z52832 | Nipple Cap, ISO 7241-1 x Black | 1 |
| 27 | Z56102 | Check Valve, FP08 x 0PSI | 1 |
| 28 | Z71512 | Hex Bolt, 1/2NC x 1-1/4" | 2 |
| 29 | Z72251 | Hex Lock Nut, 1/2NC | 2 |
| 30 | Z72282 | Hex Lock Nut, 7/8NF | 2 |
| 31 | Z72960 | Rivet Nut, 1/2NC x 200 | 1 |
| 32 | Z73381 | Split Lock Washer, 7/8" | 2 |
| 33 | Z77940 | Rivet Nut, M10x1.5 x 313 | 4 |
| 34 | Z14151 | Roll Pin, 3/16" x 1-1/2" | 1 |

Ledger Knife Detail

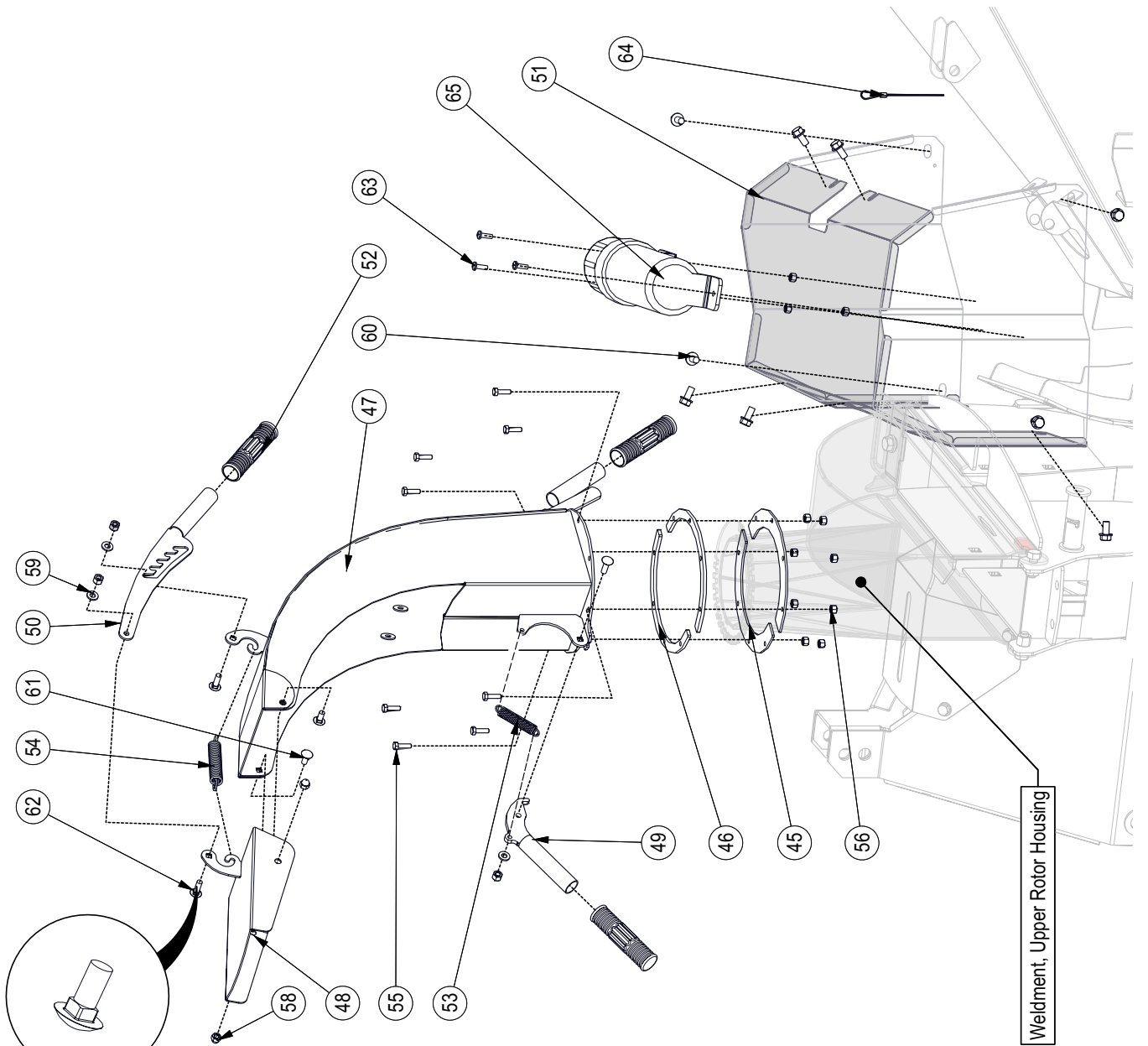


| BOM ID | Part No. | Description | Qty |
|--------|----------|-----------------------------|-----|
| 78 | 1011M104 | Knife, 4" Ledger | 1 |
| 79 | 1024L124 | Ledger Washer | 2 |
| 80 | Z71372G8 | Hex Bolt, 3/8NF x 5/8" G8 | 1 |
| 81 | Z71379G8 | Hex Bolt, 3/8NF x 1-1/4" G8 | 2 |
| 82 | Z72131 | Hex Nut, 3/8NC | 4 |
| 83 | Z73131 | SAE Washer, 3/8" | 7 |
| 84 | Z76534 | Rod End, 3/8NC x 3-1/2" | 2 |

Upper Rotor Housing

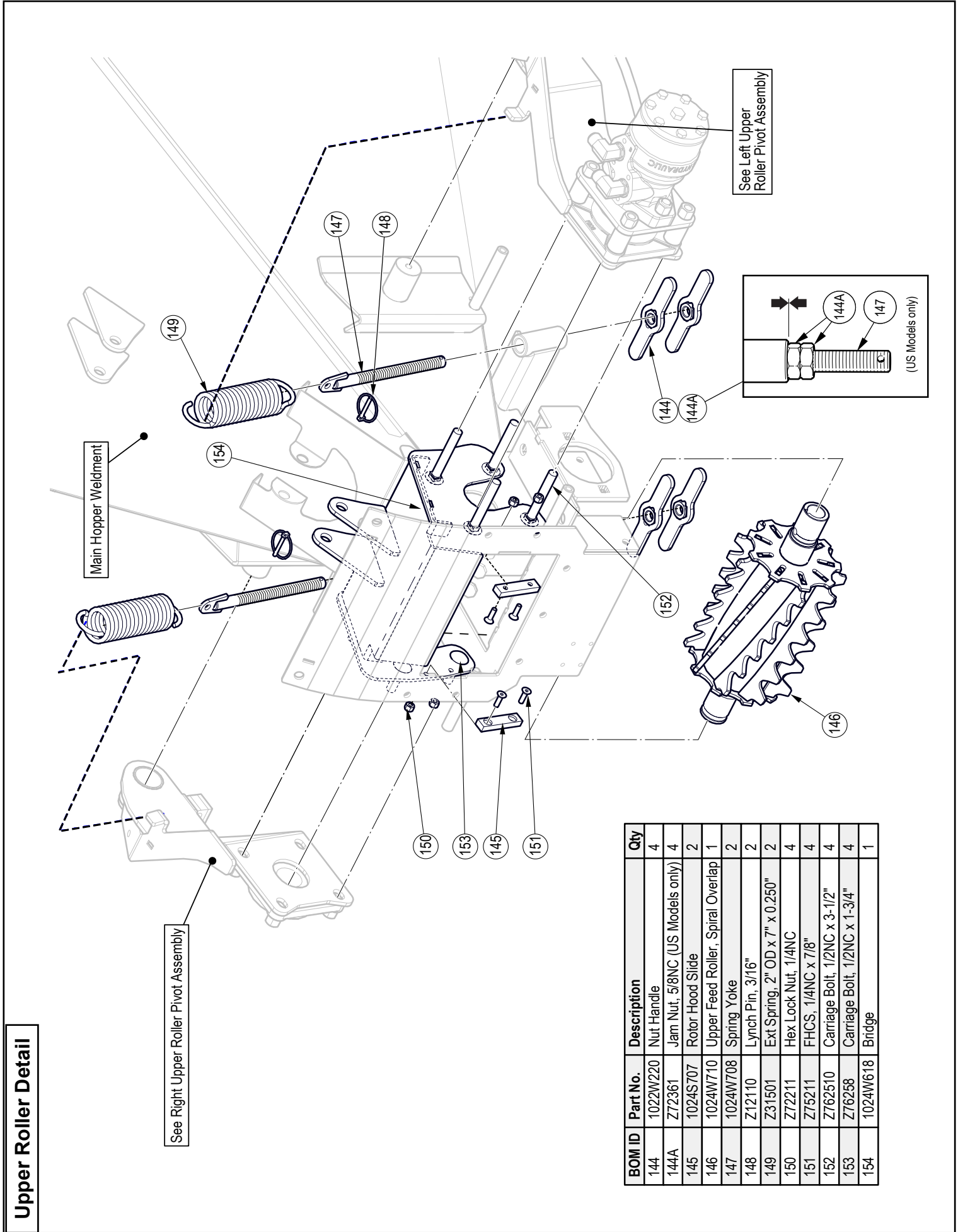


| BOM ID | Part No. | Description | Qty |
|--------|----------|--------------------------------|-----|
| 34 | 1024W104 | Weldment, Upper Rotor Housing | 1 |
| 35 | 1024W709 | BX52R Extended Base | 1 |
| 36 | 1024L123 | Hood Ring, BX52 | 1 |
| 37 | 1012L269 | Gauge, Ledger Setting | 1 |
| 38 | 1024L554 | PTO Guard | 1 |
| 39 | Z71512 | Hex Bolt, 1/2NC x 1-1/4" | 2 |
| 40 | Z72551 | Serrated Flange Locknut, 1/2NC | 4 |
| 41 | Z73131 | SAE Washer, 3/8" | 4 |
| 42 | Z76259 | Carriage Bolt, 1/2NC x 1-1/4" | 4 |
| 43 | Z77162 | Hex Bolt, M10x1.5 x 25mm | 4 |
| 44 | Z76155 | Flange Bolt, 1/2NC x 1-3/4" | 1 |
| 45 | Z72251 | Hex Lock Nut, 1/2NC | 2 |
| 46 | Z92127 | 1/16 Aircraft cable x 16" | 1 |



Discharge Chute

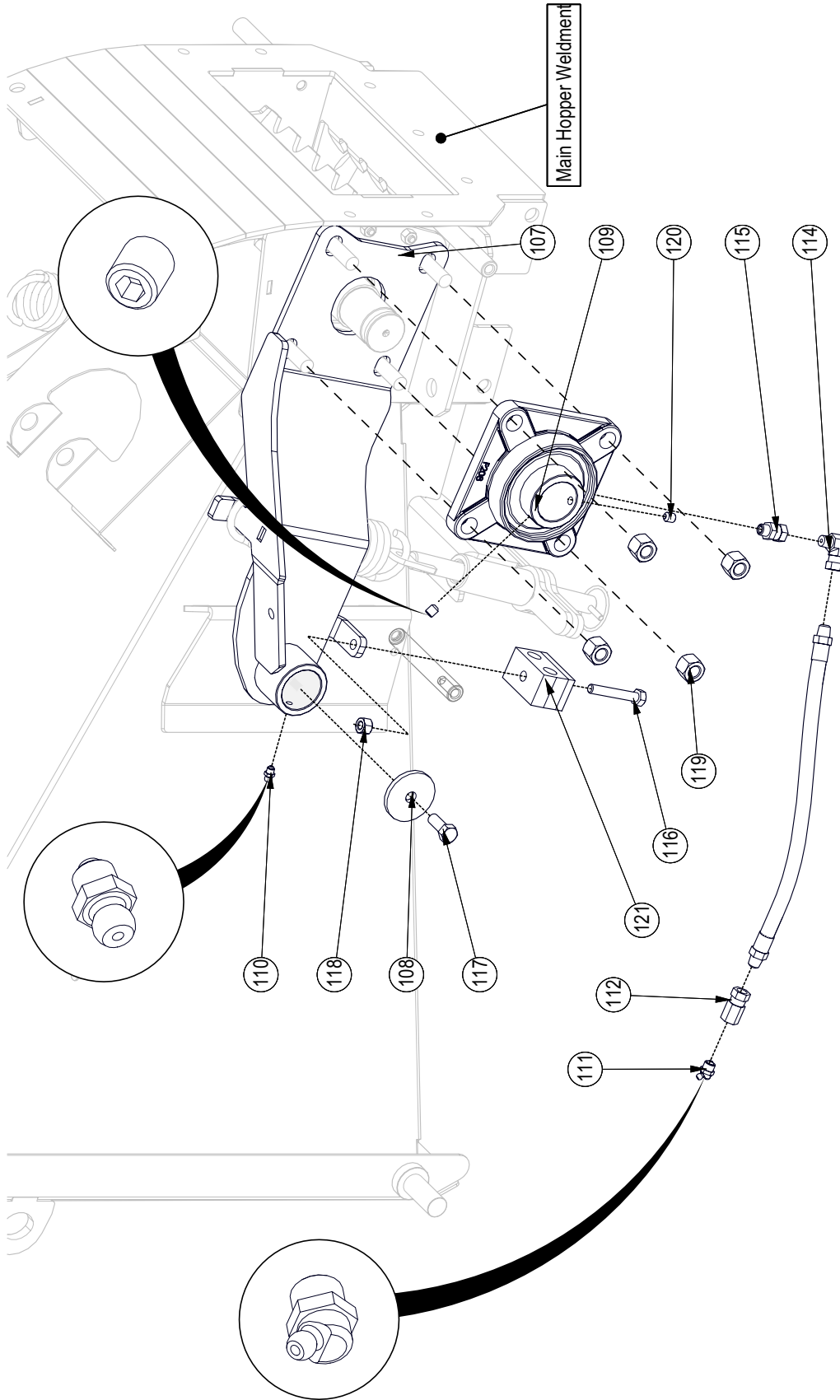
| BOM ID | Part No. | Description | Qty |
|--------|----------|-----------------------------------|-----|
| 45 | 1024L133 | Hood Capture Ring | 2 |
| 46 | 1024L134 | Spacer Ring | 2 |
| 47 | 1024W106 | Weldment, Discharge Chute | 1 |
| 48 | 1024W107 | Weldment, Discharge Deflector | 1 |
| 49 | 1024W108 | Weldment, Discharge Latch | 1 |
| 50 | 1024W109 | Weldment, Discharge Adjustor | 1 |
| 51 | 1024W621 | Bridge Guard | 1 |
| 52 | Z19321 | Grip, 1" x 5" | 3 |
| 53 | Z31305 | Ext Spring, 5/8" OD x 3" x 0.08" | 1 |
| 54 | Z31401 | Ext Spring, 3/4" OD x 4" x 0.105" | 1 |
| 55 | Z71108 | Hex Bolt, 1/4NC x 7/8" | 8 |
| 56 | Z72211 | Hex Lock Nut, 1/4NC | 11 |
| 58 | Z72221 | Hex Lock Nut, 5/16NC | 2 |
| 59 | Z73122 | SAE Washer, 5/16" | 3 |
| 60 | Z76133 | Flange Bolt, 3/8NC x 3/4" | 8 |
| 61 | Z76221 | Carriage Bolt, 5/16NC x 0.75" | 2 |
| 62 | Z76225 | Carriage Bolt, 5/16NC x 1" | 3 |
| 63 | Z78301 | Machine Screw, 1/4NC x 3/4" | 3 |
| 64 | Z92110 | 1/16 Aircraft cable x 2' | 1 |
| 65 | Z96503 | Manual Tube 3-1/2 Short | 1 |



Upper Roller Detail

| BOM ID | Part No. | Description | Qty |
|--------|----------|-----------------------------------|-----|
| 144 | 1022W220 | Nut Handle | 4 |
| 144A | Z72361 | Jam Nut, 5/8NC (US Models only) | 4 |
| 145 | 1024S707 | Rotor Hood Slide | 2 |
| 146 | 1024W710 | Upper Feed Roller, Spiral Overlap | 1 |
| 147 | 1024W708 | Spring Yoke | 2 |
| 148 | Z12110 | Lynch Pin, 3/16" | 2 |
| 149 | Z31501 | Ext Spring, 2" OD x 7" x 0.250" | 2 |
| 150 | Z72211 | Hex Lock Nut, 1/4NC | 4 |
| 151 | Z75211 | FHCS, 1/4NC x 7/8" | 4 |
| 152 | Z762510 | Carriage Bolt, 1/2NC x 3-1/2" | 4 |
| 153 | Z76258 | Carriage Bolt, 1/2NC x 1-3/4" | 4 |
| 154 | 1024W618 | Bridge | 1 |

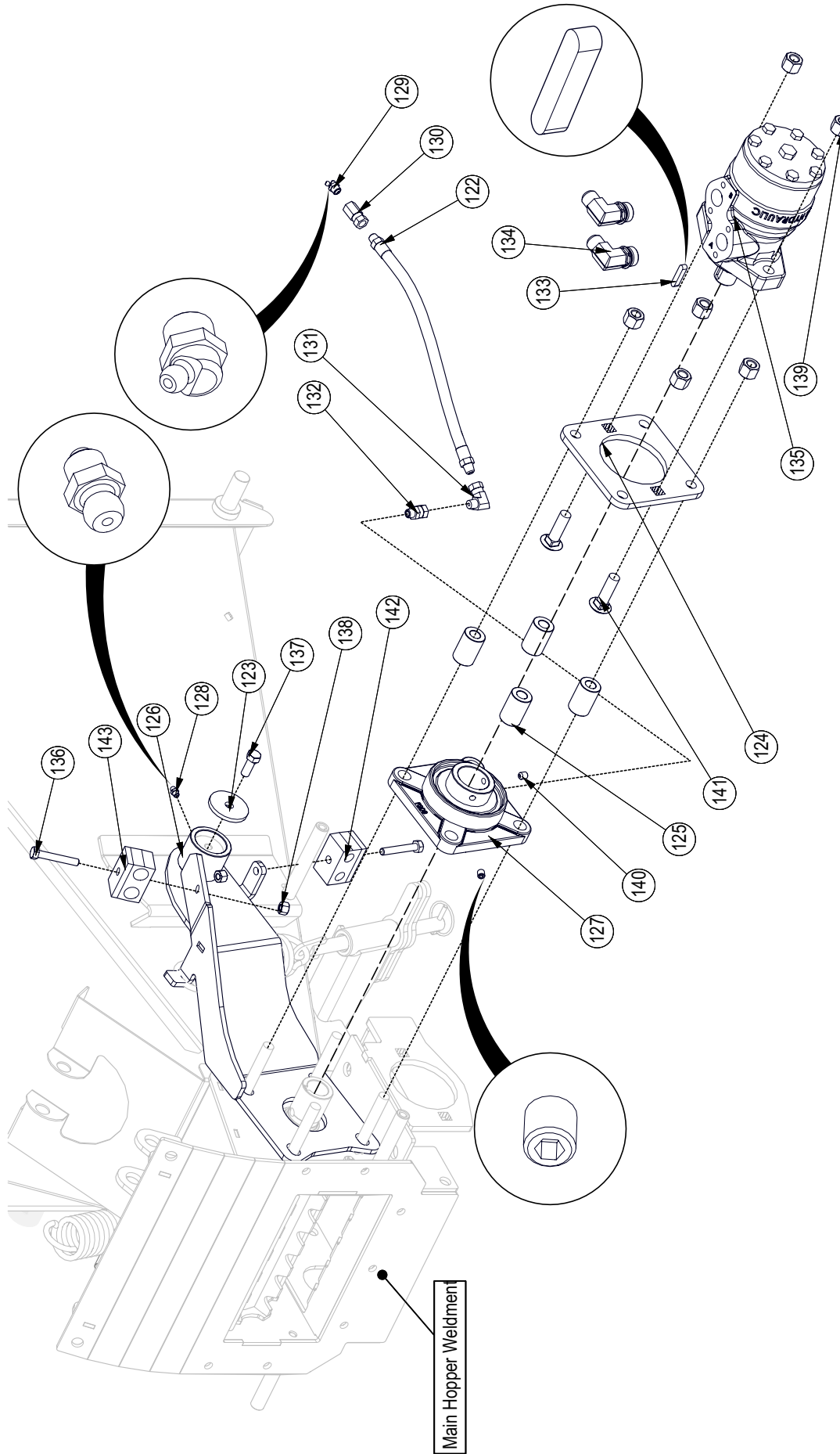
Right Upper Roller Pivot Assembly



| BOM ID | Part No. | Description | Qty |
|--------|----------|----------------------------|-----|
| 116 | Z71220 | Hex Bolt, 5/16NC x 2" | 1 |
| 117 | Z71310 | Hex Bolt, 3/8NC x 1" | 1 |
| 118 | Z72221 | Hex Lock Nut, 5/16NC | 1 |
| 119 | Z72251 | Hex Lock Nut, 1/2NC | 4 |
| 120 | Z74122 | Set Screw, 5/16NF x 3/8" | 2 |
| 121 | Z79462 | Double Hose Clamp, 1/2" OD | 1 |

| BOM ID | Part No. | Description | Qty |
|--------|-----------|------------------------------------|-----|
| 107 | 1024W602H | Weldment, Roller Pivot Arm RH | 1 |
| 108 | 1024L618 | Capture Washer | 1 |
| 109 | Z25204 | 4-Bolt Flange Bearing, 1-1/2" Bore | 1 |
| 110 | Z29202 | Grease Zerk 1/4NF | 1 |
| 111 | Z29204 | Grease Fitting, 1/8NPT x 45 | 1 |
| 112 | Z29302 | Straight, FP x FFX 0202 | 1 |
| 114 | Z29307 | Elbow 90 MP x FFX 0202 | 1 |
| 115 | Z29311 | Straight, MP x FFX 0202 | 1 |

Left Upper Roller Pivot Assembly



Main Hopper Weldment

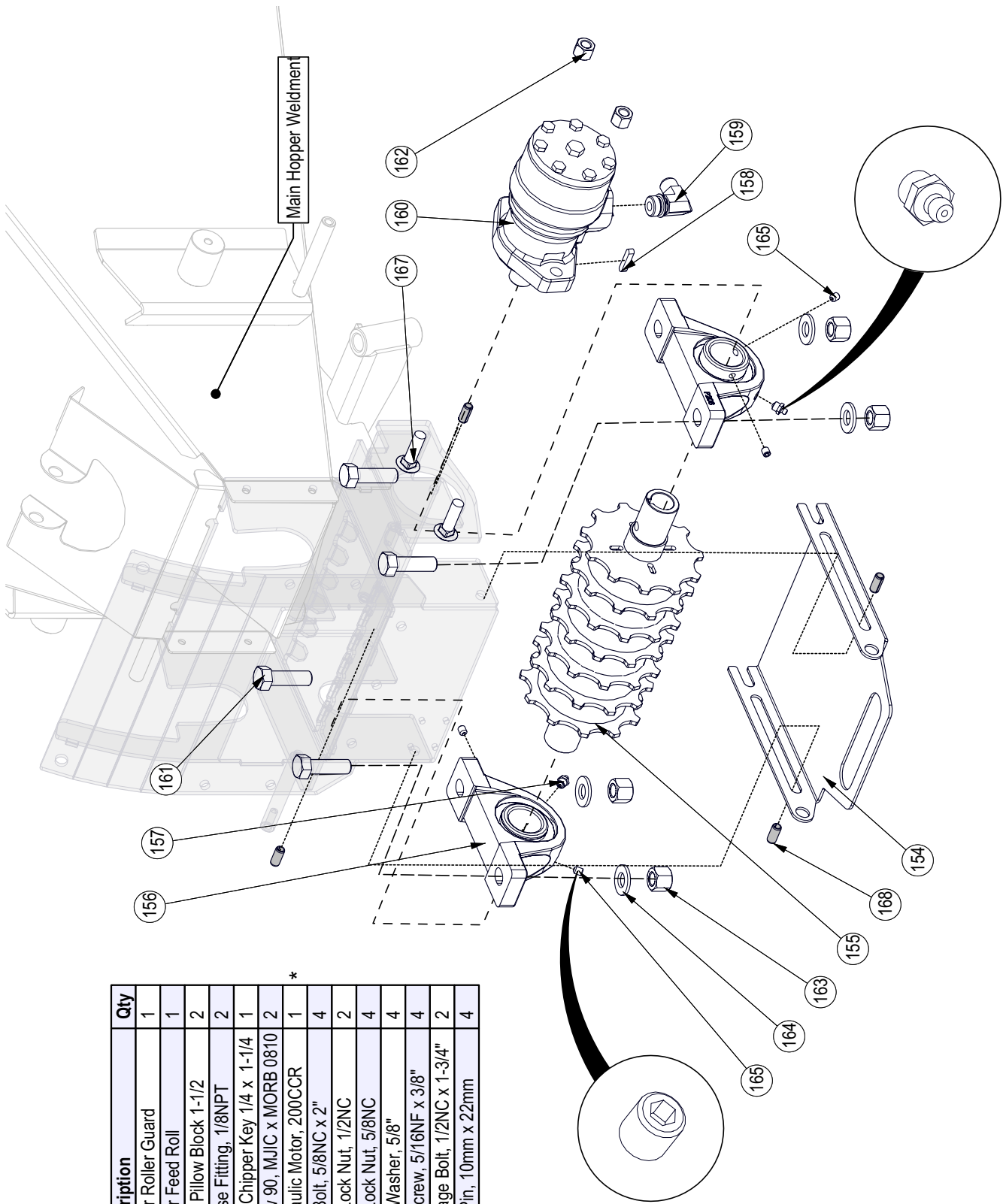
| BOM ID | Part No. | Description | Qty |
|--------|----------|-------------------------------------|-----|
| 122 | 1024F502 | 1/4" Grease Whip, MP02 x MP02 x 11" | 1 |
| 123 | 1024L618 | Capture Washer | 1 |
| 124 | 1024L771 | Motor Bearing Interface | 1 |
| 125 | 1024M505 | Motor Bearing Spacer | 4 |
| 126 | 1024W602 | Weldment, Roller Pivot Arm LH | 1 |
| 127 | Z25204 | 4-Bolt Flange Bearing, 1-1/2" Bore | 1 |
| 128 | Z29202 | Grease Zerk 1/4NF | 1 |
| 129 | Z29204 | Grease Fitting, 1/8NPT x 45 | 1 |

| BOM ID | Part No. | Description | Qty |
|--------|----------|-------------------------------|-----|
| 130 | Z29302 | Straight, FP x FPX 0202 | 1 |
| 131 | Z29307 | Elbow 90 MP x FPX 0202 | 1 |
| 132 | Z29311 | Straight, MP x FPX 0202 | 1 |
| 133 | Z46594 | Blind Chipper Key 1/4 x 1-1/4 | 1 |
| 134 | Z51658 | Elbow 90, MJIC x MORB 0810 | 2 |
| 135 | Z54102 | Hydraulic Motor, 200CCR * | 1 |
| 136 | Z71220 | Hex Bolt, 5/16NC x 2" | 2 |
| 137 | Z71310 | Hex Bolt, 3/8NC x 1" | 1 |

| BOM ID | Part No. | Description | Qty |
|--------|----------|-------------------------------|-----|
| 138 | Z72221 | Hex Lock Nut, 5/16NC | 2 |
| 139 | Z72251 | Hex Lock Nut, 1/2NC | 6 |
| 140 | Z74122 | Set Screw, 5/16NF x 3/8" | 2 |
| 141 | Z76258 | Carriage Bolt, 1/2NC x 1-3/4" | 2 |
| 142 | Z79462 | Double Hose Clamp, 1/2" OD | 1 |
| 143 | Z79463 | Double Hose Clamp, 1/16" OD | 1 |

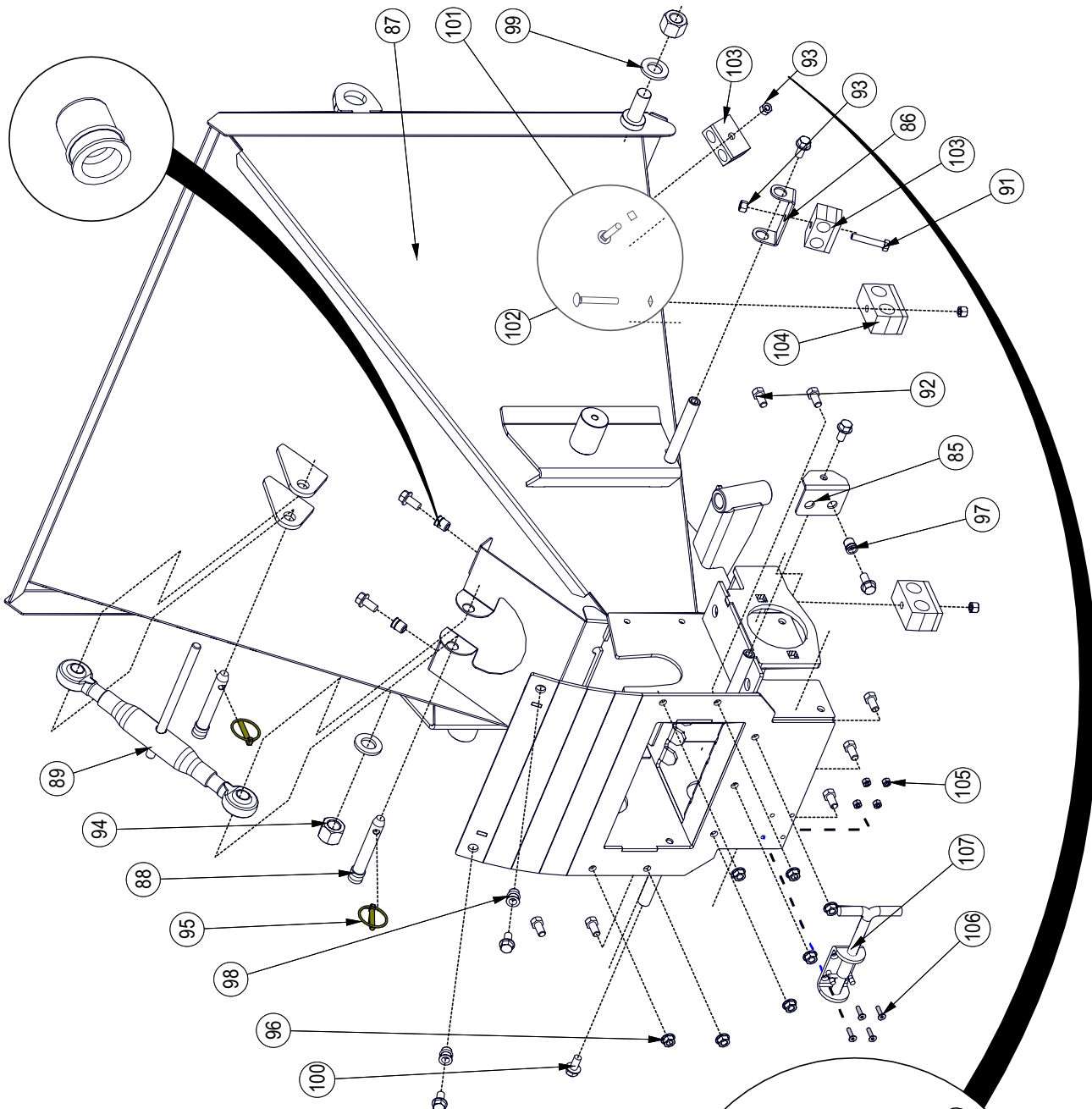
* Seal Kit SKMLHP-U/DE

Lower Roller Assembly



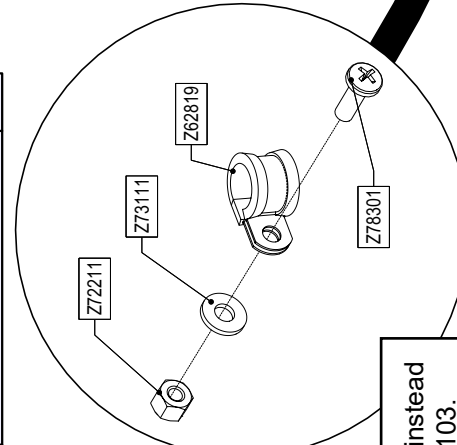
| BOM ID | Part No. | Description | Qty |
|--------|----------|-------------------------------|-----|
| 154 | 1024L774 | Lower Roller Guard | 1 |
| 155 | 1024W605 | Lower Feed Roll | 1 |
| 156 | Z24101 | P208 Pillow Block 1-1/2 | 2 |
| 157 | Z29201 | Grease Fitting, 1/8NPT | 2 |
| 158 | Z46594 | Blind Chipper Key 1/4 x 1-1/4 | 1 |
| 159 | Z51658 | Elbow 90, MJIC x MORB 0810 | 2 |
| 160 | Z54102 | Hydraulic Motor, 200CCR | 1 |
| 161 | Z71620 | Hex Bolt, 5/8NC x 2" | 4 |
| 162 | Z72251 | Hex Lock Nut, 1/2NC | 2 |
| 163 | Z72261 | Hex Lock Nut, 5/8NC | 4 |
| 164 | Z73161 | SAE Washer, 5/8" | 4 |
| 165 | Z74122 | Set Screw, 5/16NF x 3/8" | 4 |
| 167 | Z76258 | Carriage Bolt, 1/2NC x 1-3/4" | 2 |
| 168 | Z14301 | Roll Pin, 10mm x 22mm | 4 |

* Seal Kit SKMLHP-U/DE



Main Hopper Assembly

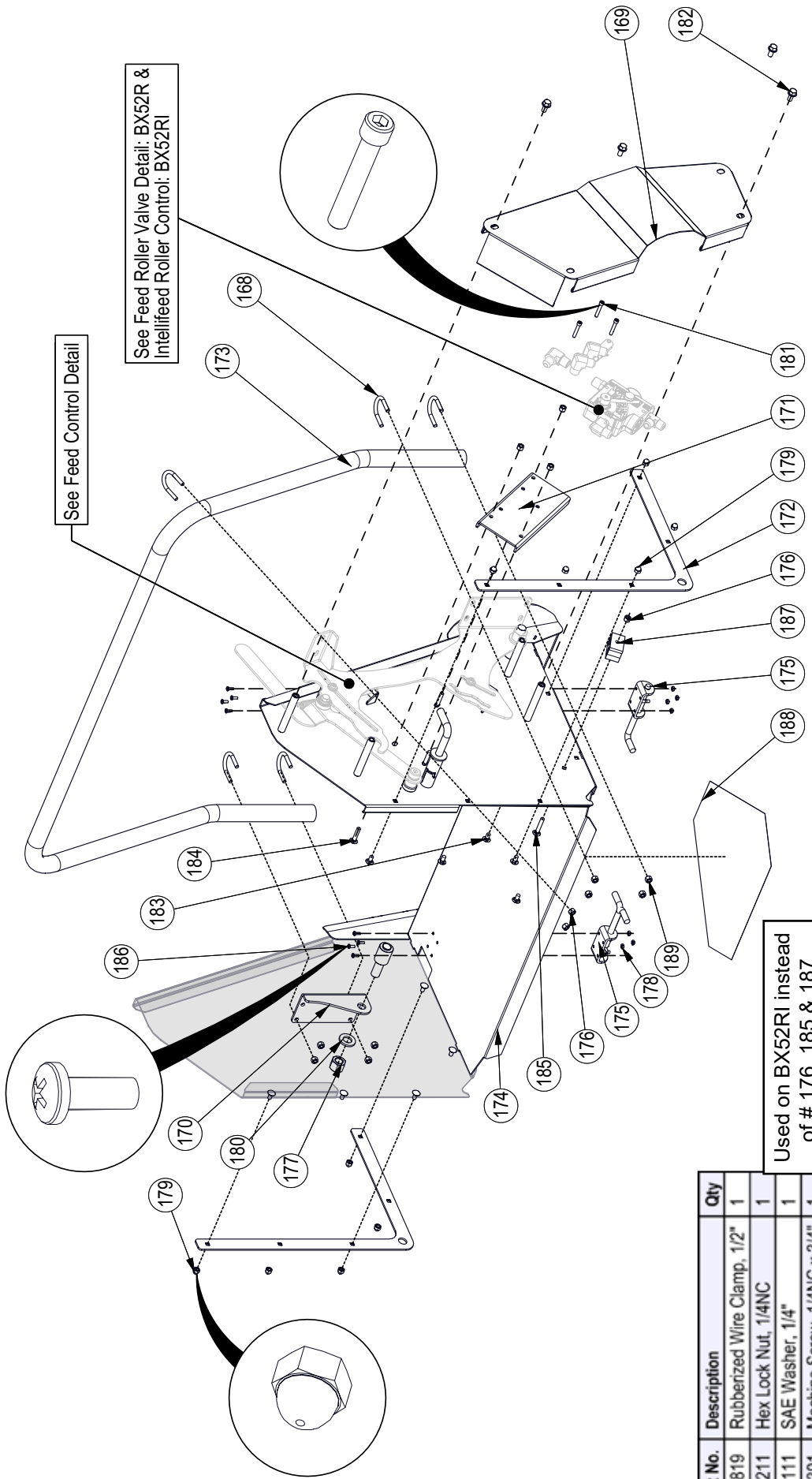
| BOM ID | Part No. | Description | Qty |
|--------|----------|----------------------------------|-----|
| 85 | 1023L300 | Bridge Guard Mount | 1 |
| 86 | 1024L775 | Clamp Mount | 1 |
| 87 | 1024W601 | Main Hopper Weldment | 1 |
| 88 | Z11111 | Toplink Pin, 5/8" x 2-3/4" | 2 |
| 89 | Z11501 | Toplink, Cat 0 x 10-1/2" x 16" | 1 |
| 91 | Z71217 | Hex Bolt, 5/16NC x 1-3/4" | 1 |
| 92 | Z71307 | Hex Bolt, 3/8NC x 3/4" | 7 |
| 93 | Z72221 | Hex Lock Nut, 5/16NC | 4 |
| 94 | Z72271 | Hex Lock Nut, 3/4NC | 2 |
| 95 | Z12120 | Lynch Pin, 1/4" | 2 |
| 96 | Z72531 | Serrated Flange Locknut, 3/8NC | 7 |
| 97 | Z72958 | Rivet Nut, 3/8NC x 150 | 3 |
| 98 | Z72959 | Rivet Nut, 3/8NC x 312 | 2 |
| 99 | Z73171 | SAE Washer, 3/4" | 2 |
| 100 | Z76133 | Flange Bolt, 3/8NC x 3/4" | 9 |
| 101 | Z76227 | Carriage Bolt, 5/16NC x 1-3/4" | 1 |
| 102 | Z76228 | Carriage Bolt, 5/16NC x 2-1/4" | 2 |
| 103 | Z79463 | Double Hose Clamp, 11/16" OD | 2 |
| 104 | Z79464 | Double Hose Clamp, 13/16" OD | 2 |
| 105 | Z72204 | Hex Lock Nut, #10NF | 4 |
| 106 | Z75203 | FHCS, #10NF x 3/4" | 4 |
| 107 | Z18207 | Spring Latch Pin 1/2 x 1" Stroke | 1 |



Used on BX52RI instead of # 93, 101 & 103.

| Part No. | Description | Qty |
|----------|-----------------------------|-----|
| Z62819 | Rubberized Wire Clamp, 1/2" | 1 |
| Z72211 | Hex Lock Nut, 1/4NC | 1 |
| Z73111 | SAE Washer, 1/4" | 1 |
| Z78301 | Machine Screw, 1/4NC x 3/4" | 1 |

Feed Table Assembly



| Part No. | Description | Qty |
|----------|-----------------------------|-----|
| Z62819 | Rubberized Wire Clamp, 1/2" | 1 |
| Z72211 | Hex Lock Nut, 1/4NC | 1 |
| Z73111 | SAE Washer, 1/4" | 1 |
| Z78301 | Machine Screw, 1/4NC x 3/4" | 1 |

Used on BX52RI instead of # 176, 185 & 187.

| BOM ID | Part No. | Description | Qty |
|--------|----------|----------------------------------|-----|
| 168 | 1015S538 | U-bolt, Bearing Adapter | 5 |
| 169 | 1022L256 | Valve Guard | 1 |
| 170 | 1022L271 | Feed Control Pivot | 1 |
| 171 | 1022W217 | Valve Mount Weldment | 1 |
| 172 | 1024L724 | Fold Table Trap Plate | 2 |
| 173 | 1024S703 | Feed Control Handle | 1 |
| 174 | 1024W704 | Feed Table Weldment | 1 |
| 175 | Z18207 | Spring Latch Pin 1/2 x 1" Stroke | 2 |

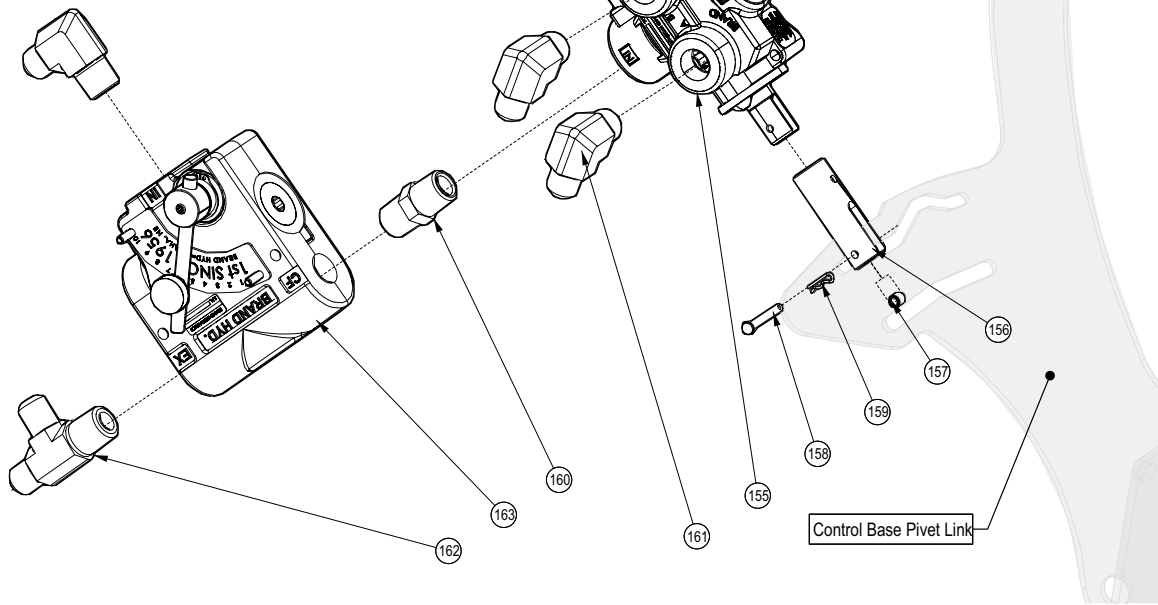
| BOM ID | Part No. | Description | Qty |
|--------|----------|------------------------------|-----|
| 176 | Z72221 | Hex Lock Nut, 5/16NC | 4 |
| 177 | Z72271 | Hex Lock Nut, 3/4NC | 1 |
| 178 | Z72204 | Hex Lock Nut, #10NF | 8 |
| 179 | Z72914 | Acorn Nut, 5/16NC | 10 |
| 180 | Z73171 | SAE Washer, 3/4" | 1 |
| 181 | Z75116 | SHCS, 1/4NC x 1-1/2" | 3 |
| 182 | Z76133 | Flange Bolt, 3/8NC x 3/4" | 3 |
| 183 | Z76222 | Carriage Bolt, 5/16NC x 5/8" | 10 |

| BOM ID | Part No. | Description | Qty |
|--------|----------|---------------------------------|-----|
| 184 | Z76224 | Carriage Bolt, 5/16NC x 1-1/2" | 3 |
| 185 | Z76227 | Carriage Bolt, 5/16NC x 1-3/4" | 1 |
| 186 | Z78316 | Machine Screw, #10NF x 3/4" | 8 |
| 187 | Z79463 | Double Hose Clamp, 1 1/16" OD | 1 |
| 188 | Z94601 | Decal, SMV | 1 |
| 189 | Z72521 | Serrated Flange Locknut, 5/16NC | 10 |

Roller Valve Detail

MODEL BX52R

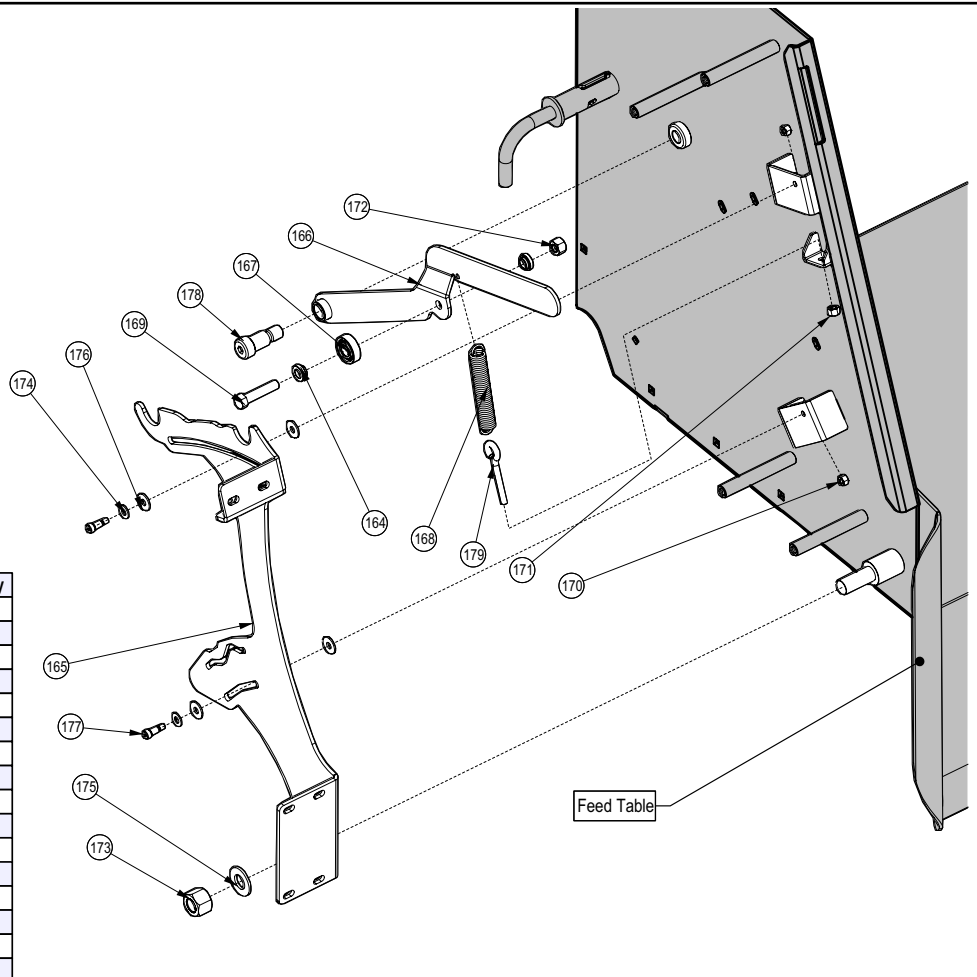
| BOM ID | Description | Description | Qty |
|--------|-------------|--|-----|
| 155 | Z56215 | Spring Ctr Low Force Directional Valve | 1 |
| 156 | 1022M213 | Bearing Yoke | 1 |
| 157 | 1022M217 | Solid Bearing | 1 |
| 158 | Z11301 | Clevis Pin 3/16 x 1-3/8" | 1 |
| 159 | Z12210 | Hitch Pin Clip, 1/16 | 1 |
| 160 | Z51122 | Nipple, MP x MP 0808 | 1 |
| 161 | Z51451 | #8JIC x 1/2NPT 90 Elbow | 4 |
| 162 | Z51487 | Tee MJIC x MP x MJIC 080808 | 1 |
| 163 | Z56305 | Brand PFC 0-8 GPM | 1 |



Feed Roller Control Detail

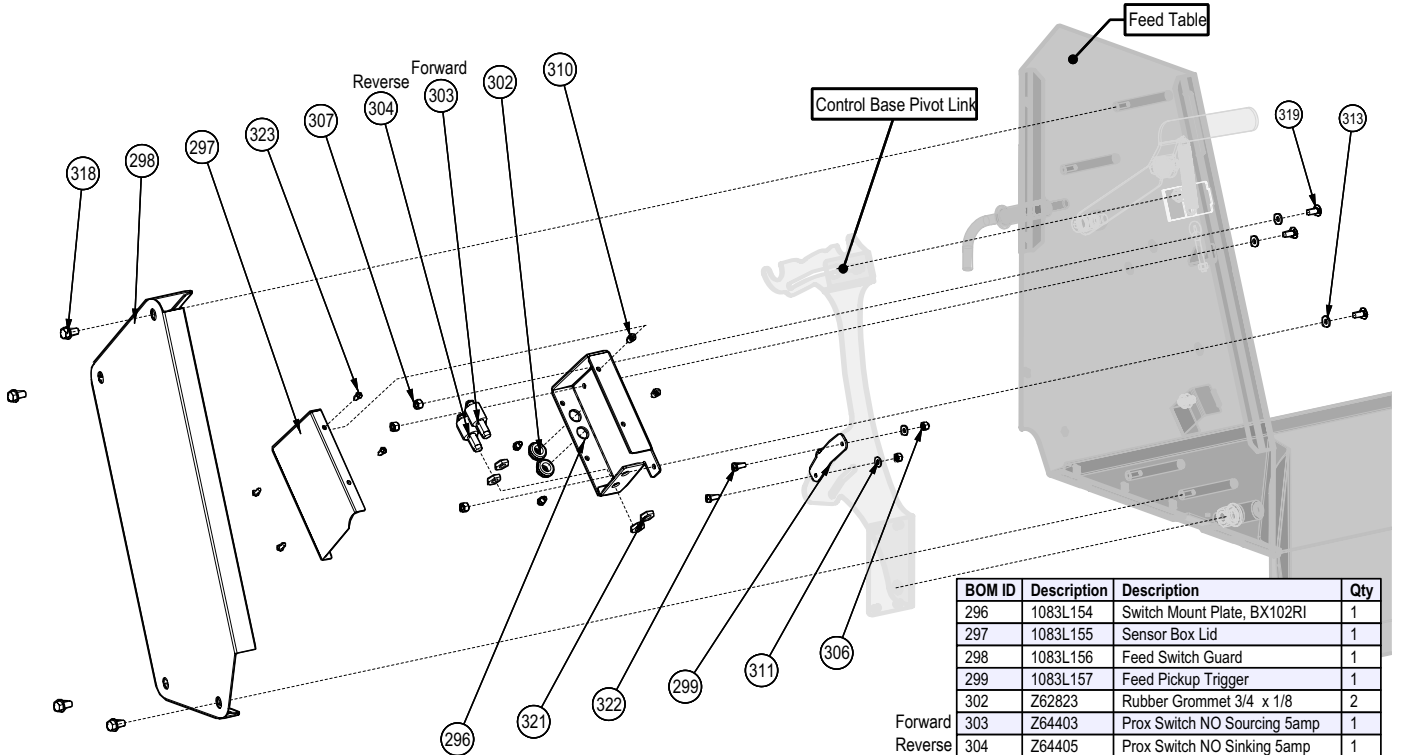
MODELS BX52R, BX52RI

| BOM ID | Description | Description | Qty |
|--------|-------------|---------------------------------|-----|
| 164 | 1015M537 | Bushing, Bearing | 2 |
| 165 | 1022L239 | Control Base Pivot Link | 1 |
| 166 | 1022W224 | Detent Reset Weldment | 1 |
| 167 | Z21203 | Ball Bearing 6202 RS | 1 |
| 168 | Z31401 | Spring 3/4 x 4" Heavy | 1 |
| 169 | Z71420 | Hex Bolt, 7/16NC x 2 | 1 |
| 170 | Z72211 | Hex Lock Nut, 1/4NC | 2 |
| 171 | Z72221 | Hex Lock Nut, 5/16NC | 1 |
| 172 | Z72241 | Hex Lock Nut, 7/16NC | 1 |
| 173 | Z72271 | Hex Lock Nut, 3/4NC | 1 |
| 174 | Z73122 | Flat Washer, 5/16 | 2 |
| 175 | Z73171 | Flat Washer, 3/4" | 1 |
| 176 | Z73222 | PTFE Flat Washer, 5/16 x 0.080" | 4 |
| 177 | Z75522 | Shoulder Bolt, 5/16 x 1/2" | 2 |
| 178 | Z75574 | Shoulder Bolt, 3/4 x 1 | 1 |
| 179 | Z76522 | Eye Bolt 5/16NC x 2 | 1 |



Intellifeed Roller Control Components

MODEL BX52RI

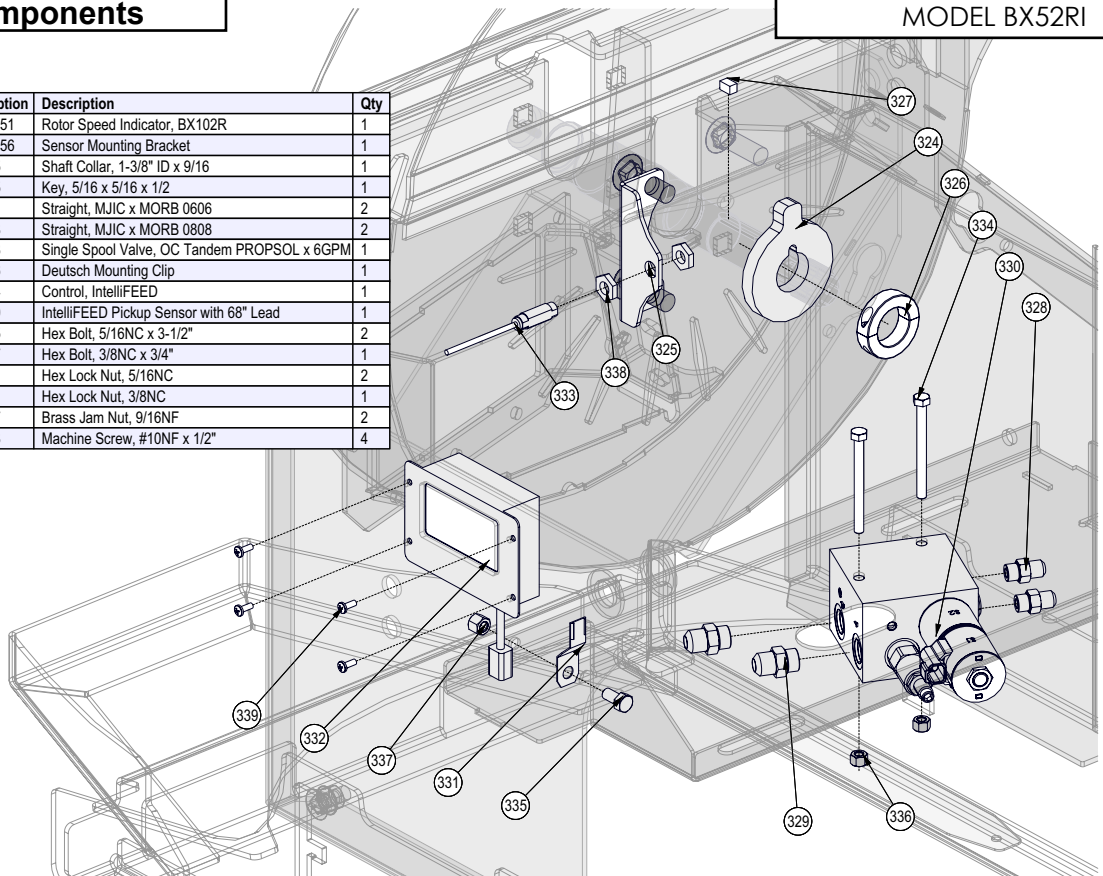


| BOM ID | Description | Description | Qty |
|--------|-------------|-----------------------------------|-----|
| 296 | 1083L154 | Switch Mount Plate, BX102RI | 1 |
| 297 | 1083L155 | Sensor Box Lid | 1 |
| 298 | 1083L156 | Feed Switch Guard | 1 |
| 299 | 1083L157 | Feed Pickup Trigger | 1 |
| 302 | Z62823 | Rubber Grommet 3/4 x 1/8 | 2 |
| 303 | Z64403 | Prox Switch NO Sourcing 5amp | 1 |
| 304 | Z64405 | Prox Switch NO Sinking 5amp | 1 |
| 306 | Z72211 | Hex Lock Nut, 1/4NC | 4 |
| 307 | Z72221 | Hex Lock Nut, 5/16NC | 4 |
| 310 | Z72954 | Riv-Nut #10-32NF - 130 | 4 |
| 311 | Z73111 | Flat Washer, 1/4 | 2 |
| 313 | Z73123 | Rubber Flat Washer, 5/16 x 0.093" | 3 |
| 318 | Z76133 | Flange Bolt, 3/8NC x 3/4 | 4 |
| 319 | Z76221 | Carriage Bolt, 5/16NC x 3/4 | 3 |
| 321 | Z77282 | Jam Nut, M14 x 1.5 | 4 |
| 322 | Z78301 | Machine Screw, 1/4-20NC x 3/4 | 2 |
| 323 | Z78303 | Machine Screw, #10-32NF x 1/2 | 4 |

Intellifeed Components

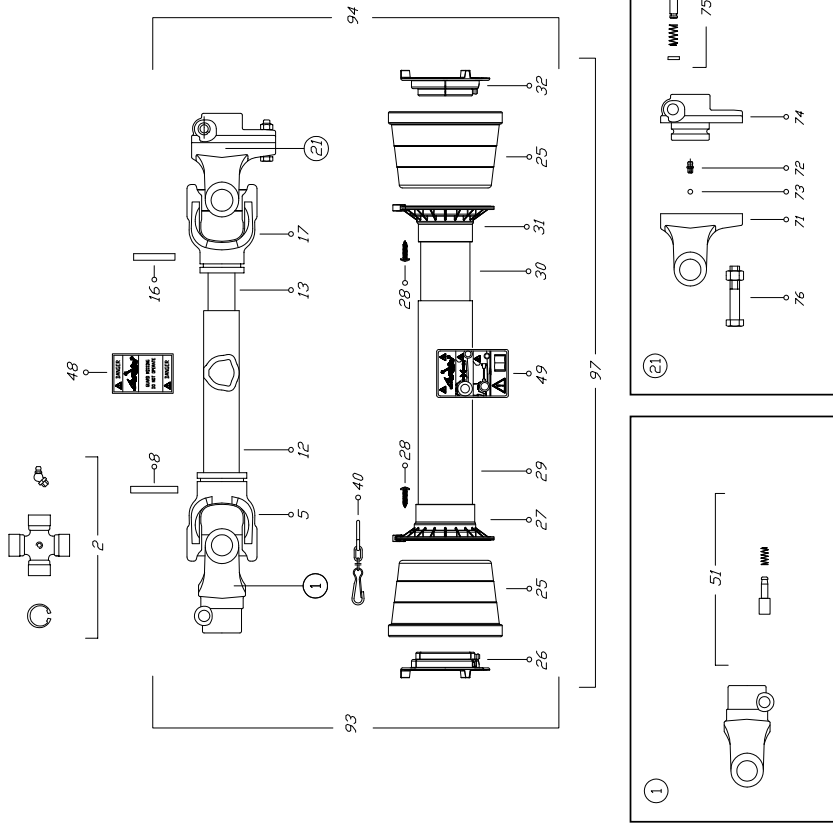
MODEL BX52RI

| BOM ID | Description | Description | Qty |
|--------|-------------|--|-----|
| 324 | 1023L751 | Rotor Speed Indicator, BX102R | 1 |
| 325 | 1024L556 | Sensor Mounting Bracket | 1 |
| 326 | Z46315 | Shaft Collar, 1-3/8" ID x 9/16 | 1 |
| 327 | Z46545 | Key, 5/16 x 5/16 x 1/2 | 1 |
| 328 | Z51641 | Straight, MJIC x MORB 0606 | 2 |
| 329 | Z51643 | Straight, MJIC x MORB 0808 | 2 |
| 330 | Z56508 | Single Spool Valve, OC Tandem PROPSOL x 6GPM | 1 |
| 331 | Z62816 | Deutsch Mounting Clip | 1 |
| 332 | Z66204 | Control, IntellIFEED | 1 |
| 333 | Z66210 | IntelliFEED Pickup Sensor with 68" Lead | 1 |
| 334 | Z71235 | Hex Bolt, 5/16NC x 3-1/2" | 2 |
| 335 | Z71307 | Hex Bolt, 3/8NC x 3/4" | 1 |
| 336 | Z72221 | Hex Lock Nut, 5/16NC | 2 |
| 337 | Z72231 | Hex Lock Nut, 3/8NC | 1 |
| 338 | Z72357 | Brass Jam Nut, 9/16NF | 2 |
| 339 | Z78303 | Machine Screw, #10NF x 1/2" | 4 |



PTO Shaft #Z44504

| Binacchi SPARE PARTS LIST : B5D056US098001 | | | |
|---|----------------------------------|----|-----------------|
| POS. | DESCRIPTION | Q. | Part # |
| 01 | YOKE | 1 | 0800503 |
| 02 | CROSS JOURNAL ASS. | 2 | 082205 |
| 05 | OUTER TUBE YOKE | 1 | 08005021 |
| 08 | FLEXIBLE PIN | 1 | 098701075 |
| 12 | CM. 100 CARDAN TUBE(*) | 1 | 09881523100 |
| 13 | CM. 100 CARDAN TUBE(*) | 1 | 09881454100 |
| 16 | FLEXIBLE PIN | 1 | 0987001065 |
| 17 | INNER TUBE YOKE | 1 | 08005011 |
| 21 | SHEAR BOLT | 1 | 08805A604633 |
| 25 | CONE SHIELD BELL 05-06 | 2 | 021906C001 |
| 26 | OUTER BEARING 05 | 1 | 025505C001 |
| 27 | OUTER BASE CONE 05-06 | 1 | 025406C001 |
| 28 | SCREW | 6 | 0998052242 |
| 29 | OUTER SAFETY TUBE | 1 | 0988981NB5056 |
| 30 | INNER SAFETY TUBE | 1 | 0988975NB5056 |
| 31 | INNER BASE CONE 05-06 | 1 | 025406C002 |
| 32 | INNER BEARING 05 | 1 | 025505C002 |
| 40 | CHAIN | 1 | 0252000001 |
| 48 | LABEL DANGER OUTER DRIVE TUBE | 1 | 09872006 |
| 49 | EXTERNAL SHIELD LABEL | 1 | 09872003 |
| 51 | COMPLETE PUSH BUTTTON | 1 | 0986014047 |
| 71 | YOKE FOR LB5 | 1 | 08896905 |
| 72 | GREASE NIPPLE | 1 | 0984010150 |
| 73 | STEEL BALL | 23 | 098680104 |
| 74 | HUB | 1 | 088965A60 |
| 75 | PUSH PIN SET | 1 | 0986014075 |
| 76 | NUT AND BOLT M10 x 1.5 x 55 10.9 | 1 | Z19407 (5 Pack) |
| 93 | OUTER HALF SHAFT | 1 | B5056US2 |
| 94 | INNER HALF SHAFT | 1 | B5056US1098001 |
| 97 | SAFETY GUARD | 1 | 083US05056 |



PTO Shaft - P/N Z44504

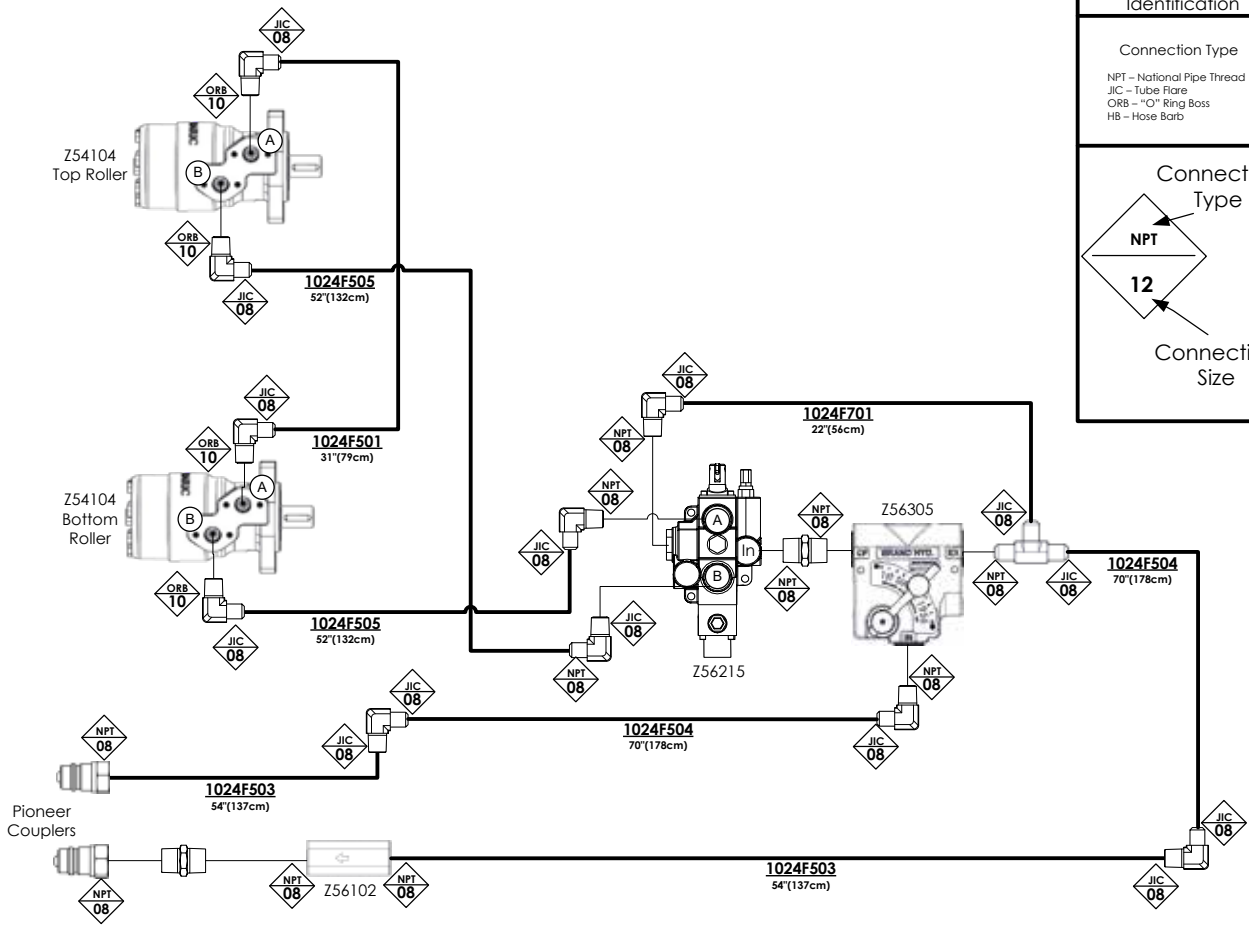
| Item. | Description | Qty. | Part Number |
|-------|----------------------------------|------|-----------------|
| 01 | YOKE | 1 | 0800503 |
| 02 | CROSS JOURNAL ASS. | 2 | 082205 |
| 05 | OUTER TUBE YOKE | 1 | 08005021 |
| 08 | FLEXIBLE PIN | 1 | 098701075 |
| 12 | CM. 100 CARDAN TUBE(*) | 1 | 09881523100 |
| 13 | CM. 100 CARDAN TUBE(*) | 1 | 09881454100 |
| 16 | FLEXIBLE PIN | 1 | 0987001065 |
| 17 | INNER TUBE YOKE | 1 | 08005011 |
| 21 | SHEAR BOLT | 1 | 08805A604633 |
| 25 | CONE SHIELD BELL 05-06 | 2 | 021906C001 |
| 26 | OUTER BEARING 05 | 1 | 025505C001 |
| 27 | OUTER BASE CONE 05-06 | 1 | 025406C001 |
| 28 | SCREW | 6 | 0998052242 |
| 29 | OUTER SAFETY TUBE | 1 | 0988981NB5056 |
| 30 | INNER SAFETY TUBE | 1 | 0988975NB5056 |
| 31 | INNER BEARING 05 | 1 | 025505C002 |
| 32 | INNER BEARING 05 | 1 | 025505C002 |
| 40 | CHAIN | 1 | 0252000001 |
| 48 | LABEL DANGER OUTER DRIVE TUBE | 1 | 09872006 |
| 49 | EXTERNAL SHIELD LABEL | 1 | 09872003 |
| 51 | COMPLETE PUSH BUTTTON | 1 | 0986014047 |
| 71 | YOKE FOR LB5 | 1 | 08896905 |
| 72 | GREASE NIPPLE | 1 | 0984010150 |
| 73 | STEEL BALL | 23 | 098680104 |
| 74 | HUB | 1 | 088965A60 |
| 75 | PUSH PIN SET | 1 | 0986014075 |
| 76 | NUT AND BOLT M10 x 1.5 x 55 10.9 | 1 | Z19407 (5 Pack) |
| 93 | OUTER HALF SHAFT | 1 | B5056US2 |
| 94 | INNER HALF SHAFT | 1 | B5056US1098001 |
| 97 | SAFETY GUARD | 1 | 083US05056 |

Hydraulic Hose Parts List

The table below is a complete list of hydraulic hoses for all models of the BX52R & BX52RI. For information on your model and its hose connections please review the hydraulic schematics on the following pages.

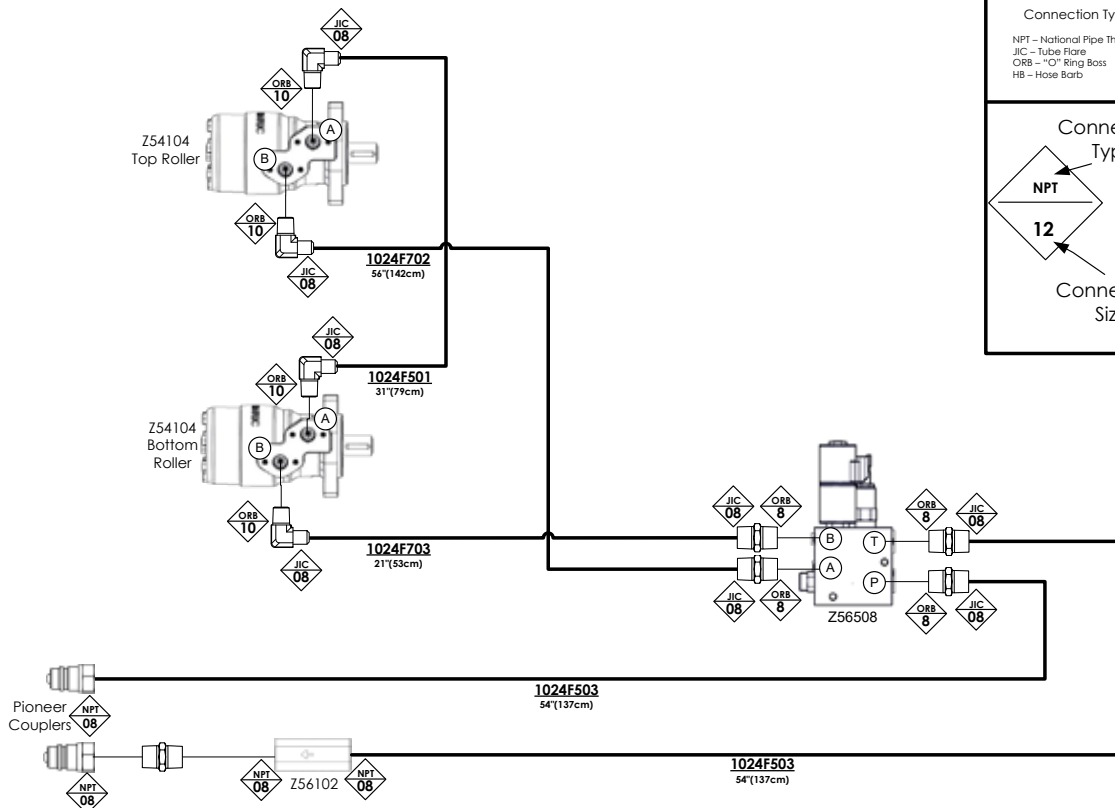
| PARTNUMBER | | Description | QTY | |
|---|----------------------------|------------------------------------|-------|--------|
| With Protective Sleeve | With Out Protective Sleeve | | BX52R | BX52RI |
| 1024F501SC | 1024F501 | 3/8" Hose, FJIC08 x FJIC08 x 31" | 1 | 1 |
| 1024F503SC | 1024F503 | 1/2" Hose, FJIC08 x MP08 x 54" | 2 | 2 |
| 1024F504SC | 1024F504 | 1/2" Hose, FJIC08 x FJIC08 x 70" | 2 | |
| 1024F505SC | 1024F505 | 3/8" Hose, FJIC08 x FJIC08 x 52" | 2 | |
| 1024F703SC | 1024F703 | 3/8" Hose, FJIC08 x 90FJIC06 x 21" | | 2 |
| Hoses with Protective Sleeves are required for EU models | | | | |

Hydraulic Plumbing Diagram BX52R



| | |
|---|--|
| Fitting Identification | |
| Connection Type | |
| NPT - National Pipe Thread JIC - Tube Flare ORB - "O" Ring Boss HB - Hose Barb | |
| Connection Type | |
| | |
| Connection Size | |

Hydraulic Plumbing Diagram BX52RI

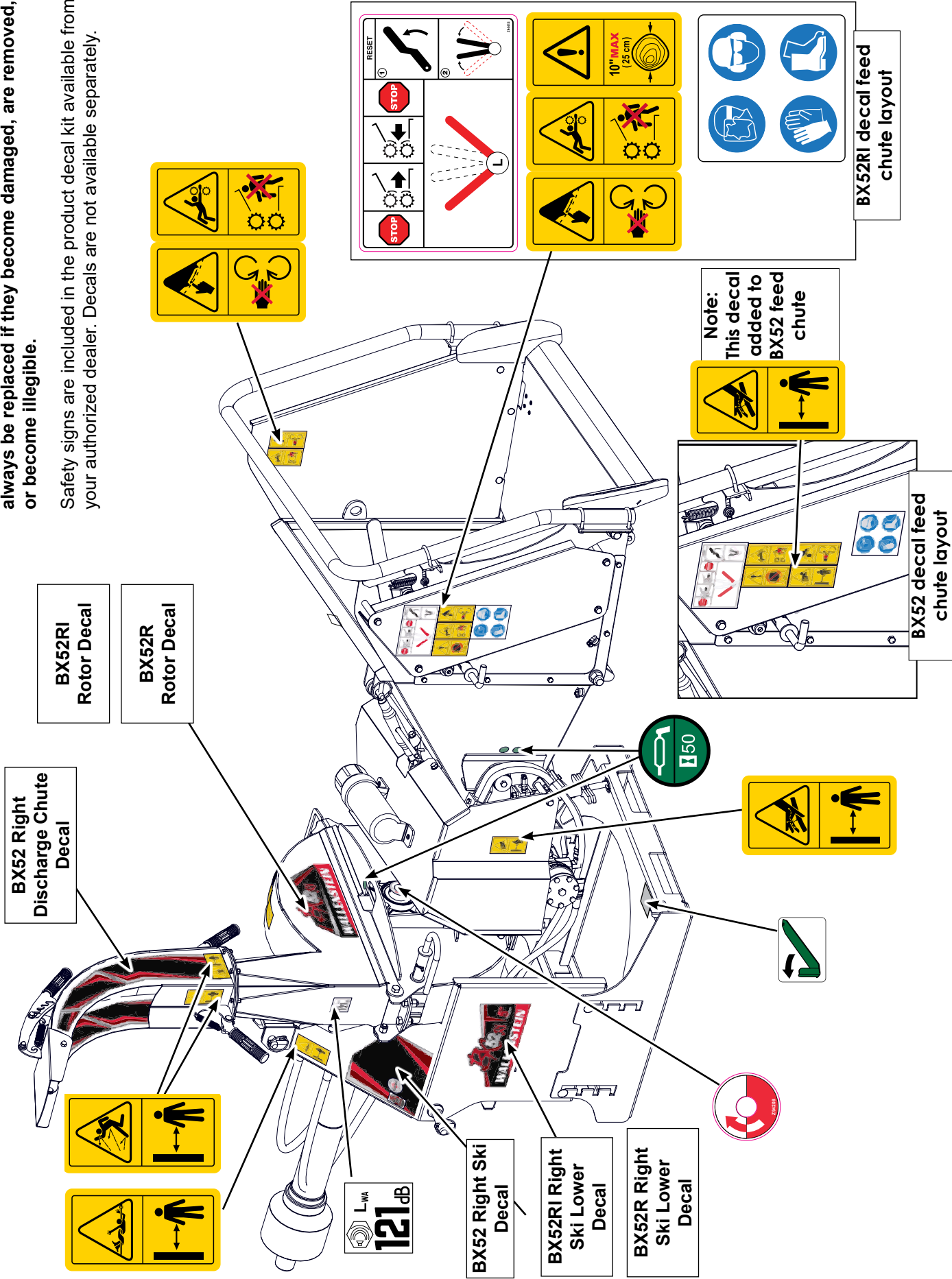


| | |
|---|--|
| Fitting Identification | |
| Connection Type | |
| NPT - National Pipe Thread JIC - Tube Flare ORB - "O" Ring Boss HB - Hose Barb | |
| Connection Type | |
| | |
| Connection Size | |

IMPORTANT! If parts are replaced that have safety signs on them, new signs must be applied. Safety signs must always be replaced if they become damaged, are removed, or become illegible.

Safety signs are included in the product decal kit available from your authorized dealer. Decals are not available separately.

Decals – Left Side View



Accessories

Call your dealer for pricing and availability



**#C3540 SELF CONTAINED PTO
POWER PACK**

For model: **BX52R & BX52RI**

Easy to install

For tractors without available hydraulics, the optional power-pack mounts on the chipper just under the PTO shaft, and provides you with the means to operate the hydraulic feed hopper on model BX52R and BX52RI.


Bolt Torque

Checking Bolt Torque

The tables shown give correct torque values for various bolts and capscrews. Tighten all bolts to the torque values specified in the table, unless indicated otherwise. Check tightness of bolts periodically.

IMPORTANT! If replacing hardware, use fasteners of the same grade.

IMPORTANT! Torque figures indicated in the table are for non-greased or non-oiled threads. Do not grease or oil threads unless indicated otherwise. When using a thread locker, increase torque values by 5%.

 **NOTE:** Bolt grades are identified by their head markings.

Imperial Bolt Torque Specifications

| Bolt Diameter | Torque Value | | | | | |
|---------------|--------------|-----|-----------|-----|-----------|------|
| | SAE Gr. 2 | | SAE Gr. 5 | | SAE Gr. 8 | |
| | lbf•ft | N•m | lbf•ft | N•m | lbf•ft | N•m |
| 1/4" | 6 | 8 | 9 | 12 | 12 | 17 |
| 5/16" | 10 | 13 | 19 | 25 | 27 | 36 |
| 3/8" | 20 | 27 | 33 | 45 | 45 | 63 |
| 7/16" | 30 | 41 | 53 | 72 | 75 | 100 |
| 1/2" | 45 | 61 | 80 | 110 | 115 | 155 |
| 9/16" | 60 | 95 | 115 | 155 | 165 | 220 |
| 5/8" | 95 | 128 | 160 | 215 | 220 | 305 |
| 3/4" | 165 | 225 | 290 | 390 | 400 | 540 |
| 7/8" | 170 | 230 | 420 | 570 | 650 | 880 |
| 1" | 225 | 345 | 630 | 850 | 970 | 1320 |



SAE Gr. 2



SAE Gr. 5



SAE Gr. 8

Metric Bolt Torque Specifications

| Bolt Diameter | Torque Value | | | |
|---------------|--------------|-------|----------|-------|
| | Gr. 8.8 | | Gr. 10.9 | |
| | lbf•ft | N•m | lbf•ft | N•m |
| M3 | 0.4 | 0.5 | 1.3 | 1.8 |
| M4 | 2.2 | 3 | 3.3 | 4.5 |
| M6 | 7 | 10 | 11 | 15 |
| M8 | 18 | 25 | 26 | 35 |
| M10 | 37 | 50 | 52 | 70 |
| M12 | 66 | 90 | 92 | 125 |
| M14 | 83 | 112 | 116 | 158 |
| M16 | 166 | 225 | 229 | 310 |
| M20 | 321 | 435 | 450 | 610 |
| M30 | 1,103 | 1 495 | 1,550 | 2 100 |



8.8



10.9

Hydraulic Fitting Torque

Tightening Flare Type Tube Fittings

1. Check flare and flare seat for defects that might cause leakage.
2. Align tube with fitting before tightening.
3. Hand-tighten swivel nut until snug.
4. To prevent twisting the tube, use two wrenches. Place one wrench on the connector body and tighten the swivel nut with the second. Torque to values shown.

If a torque wrench is not available, use the FFFT (Flats From Finger Tight) method.

| Hydraulic Fitting Torque | | | | | | | |
|--------------------------|-----------------------|--------------|--------|-------------------------|---------|-------|-------|
| Tube Size OD | Hex Size Across Flats | Torque value | | Flats From Finger Tight | | | |
| | | Inches | Inches | lbf•ft | N•m | Flats | Turns |
| 3/16 | 7/16 | | | 6 | 8 | 2 | 1/6 |
| 1/4 | 9/16 | | | 11–12 | 15–17 | 2 | 1/6 |
| 5/16 | 5/8 | | | 14–16 | 19–22 | 2 | 1/6 |
| 3/8 | 11/16 | | | 20–22 | 27–30 | 1-1/4 | 1/6 |
| 1/2 | 7/8 | | | 44–48 | 59–65 | 1 | 1/6 |
| 5/8 | 1 | | | 50–58 | 68–79 | 1 | 1/6 |
| 3/4 | 1-1/4 | | | 79–88 | 107–119 | 1 | 1/8 |
| 1 | 1-5/8 | | | 117–125 | 158–170 | 1 | 1/8 |

Values shown are for non-lubricated connections.