

WALLENSTEIN

BY EMB MFG INC.

EMB Manufacturing Inc.
4144 Boomer Line · St. Clements, On · N0B 2M0 · Canada
Ph: (519) 699-9283 · Fax: (519) 699-4146
www.wallensteinequipment.com

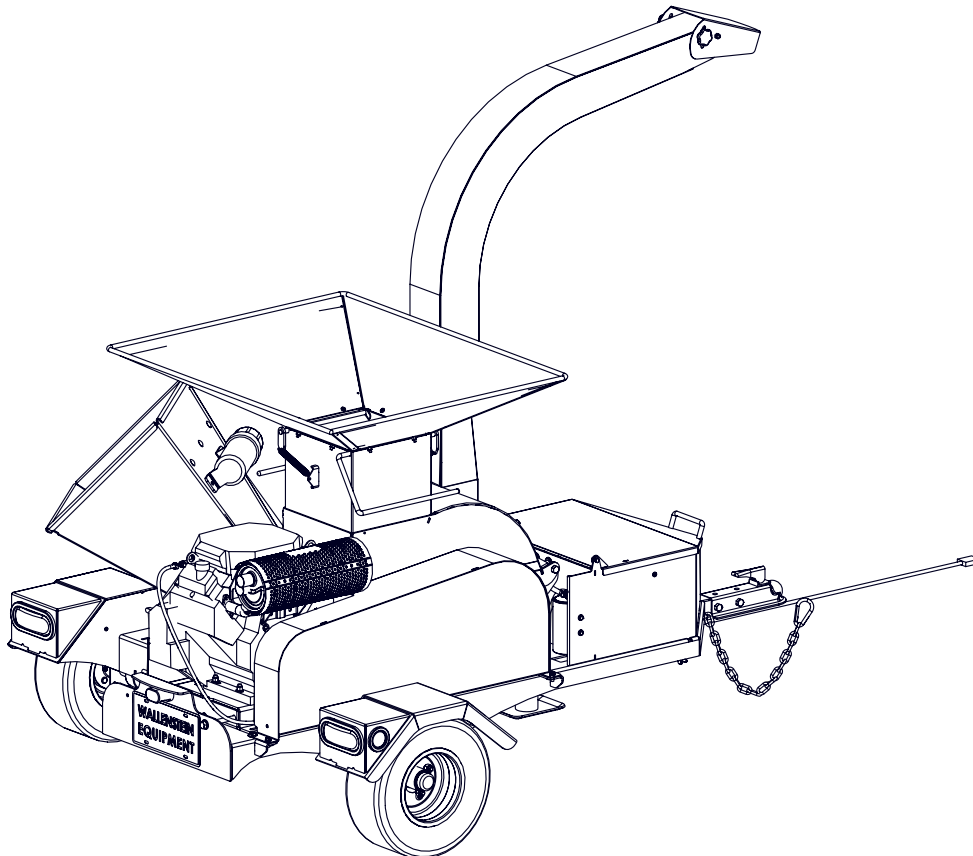
BXMT4224 Chipper-Shredder

S/N 2E9US1117FS040138 & After

BXMT4228su Chipper-Shredder

S/N 2E9US1116FS058016 & After

Parts Manual



Refer to the operators
manual for safe
operation and
maintenance

Foreword

EMB Mfg. has prepared this parts manual to assist customers in ordering quality OEM replacement parts.

Proper and regular service and replacing old, worn or broken parts with the correct OEM parts are essential to prolonging the life of your EMB product. Please refer to this manual before ordering any replacement parts.

All information contained in this parts manual is based on the latest product specification available at the time of printing this manual. If your product differs from the specifications contained within this manual contact EMB Mfg. for information.

EMB reserves the right to alter specifications on their products at any time.

Reproduction of this parts manual of any kind is prohibited without prior written permission from EMB Mfg.

For parts and information please contact your dealer. If your dealer is no longer available please go to our website: <http://www.wallensteinequipment.com> and click on "FIND A DEALER NEAR YOU" for information on a local dealer.

Table of Contents

Bolt Torque.....	4
Hydraulic Fitting Torque	5
Wheel Lug Torque	5
Main Frame, Shield & Battery	6
Blower Parts.....	7
Running Gear.....	8
Idler Hub Assembly	9
Chipper Feed Hopper Flap Detail.....	9
Rotor.....	10
Discharge Chute Assembly.....	10
Engine & Driveline.....	11
Fuel Tank Assembly & Fuel Lines.....	12
Label Layout.....	13
Accessories.....	15

Maintenance should be performed by
trained personnel only.



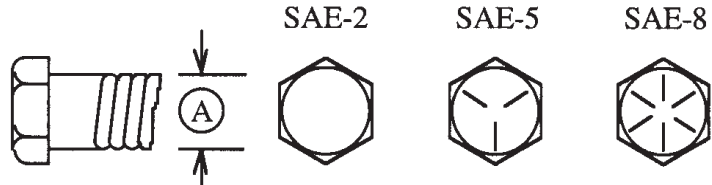
Refer to the operators
manual for safe
operation and
maintenance

Bolt Torque

CHECKING BOLT TORQUE

The tables shown below give correct torque values for various bolts and capscrews. Tighten all bolts to the torques specified in chart unless otherwise noted. Check tightness of bolts periodically, using bolt torque chart as a guide. Replace hardware with the same strength bolt.

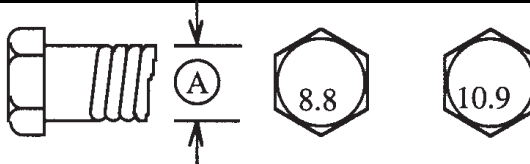
ENGLISH TORQUE SPECIFICATIONS						
Bolt Diameter "A"	Bolt Torque*					
	SAE 2 (N.m) (lb-ft)		SAE 5 (N.m) (lb-ft)		SAE 8 (N.m) (lb-ft)	
1/4"	8	6	12	9	17	12
5/16"	13	10	25	19	36	27
3/8"	27	20	45	33	63	45
7/16"	41	30	72	53	100	75
1/2"	61	45	110	80	155	115
9/16"	95	60	155	115	220	165
5/8"	128	95	215	160	305	220
3/4"	225	165	390	290	540	400
7/8"	230	170	570	420	880	650
1"	345	225	850	630	1320	970



Torque figures indicated above are valid for non-greased or non-oiled threads and heads unless otherwise specified. Therefore, do not grease or oil bolts or capscrews unless otherwise specified in this manual. When using locking elements, increase torque values by 5%.

* Torque value for bolts and capscrews are identified by their head markings.

METRIC TORQUE SPECIFICATIONS				
Bolt Diameter "A"	Bolt Torque*			
	8.8 (N.m) (lb-ft)		10.9 (N.m) (lb-ft)	
M3	0.5	0.4	1.8	1.3
M4	3	2.2	4.5	3.3
M5	6	4	9	7
M6	10	7	15	11
M8	25	18	35	26
M10	50	37	70	52
M12	90	66	125	92
M14	140	103	200	148
M16	225	166	310	229
M20	435	321	610	450
M24	750	553	1050	774
M30	1495	1103	2100	1550
M36	2600	1917	3675	2710



Hydraulic Fitting Torque

Tightening Flare Type Tube Fittings *

1. Check flare and flare seat for defects that might cause leakage.
2. Align tube with fitting before tightening.
3. Lubricate connection and hand tighten swivel nut until snug.
4. To prevent twisting the tube(s), use two wrenches. Place one wrench on the connector body and with the second tighten the swivel nut to the torque shown.

Tube Size OD (in.)	Nut Size Across Flats (in.)	Torque Value*		Recommended Turns To Tighten (After Finger Tightening)	
		(N.m)	(lb-ft)	(Flats)	(Turn)
3/16	7/16	8	6	1	1/6
1/4	9/16	12	9	1	1/6
5/16	5/8	16	12	1	1/6
3/8	11/16	24	18	1	1/6
1/2	7/8	46	34	1	1/6
5/8	1	62	46	1	1/6
3/4	1-1/4	102	75	3/4	1/8
7/8	1-3/8	122	90	3/4	1/8

The torque values shown are based on lubricated connections as in reassembly.

Wheel Lug Torque

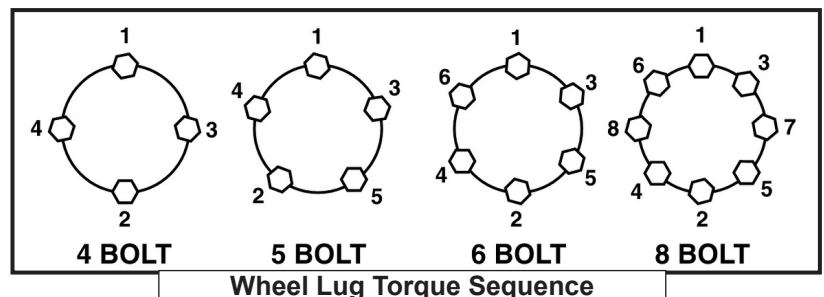
It is extremely important safety procedure to apply and maintain proper wheel mounting torque on your trailer axle. Torque wrenches are the best method to assure the proper amount of torque is being applied to a fastener.

Wheel lugs should be torqued before first road use and after each wheel removal. Check and re torque after the first 16Km (10 miles), 40Km (25 miles), and again at 80Km (50 miles). Check periodically thereafter.

Note: Wheel lugs must be applied and maintained at the proper torque levels to prevent loose wheels, broken studs, and possible dangerous separation of wheels from your axle.

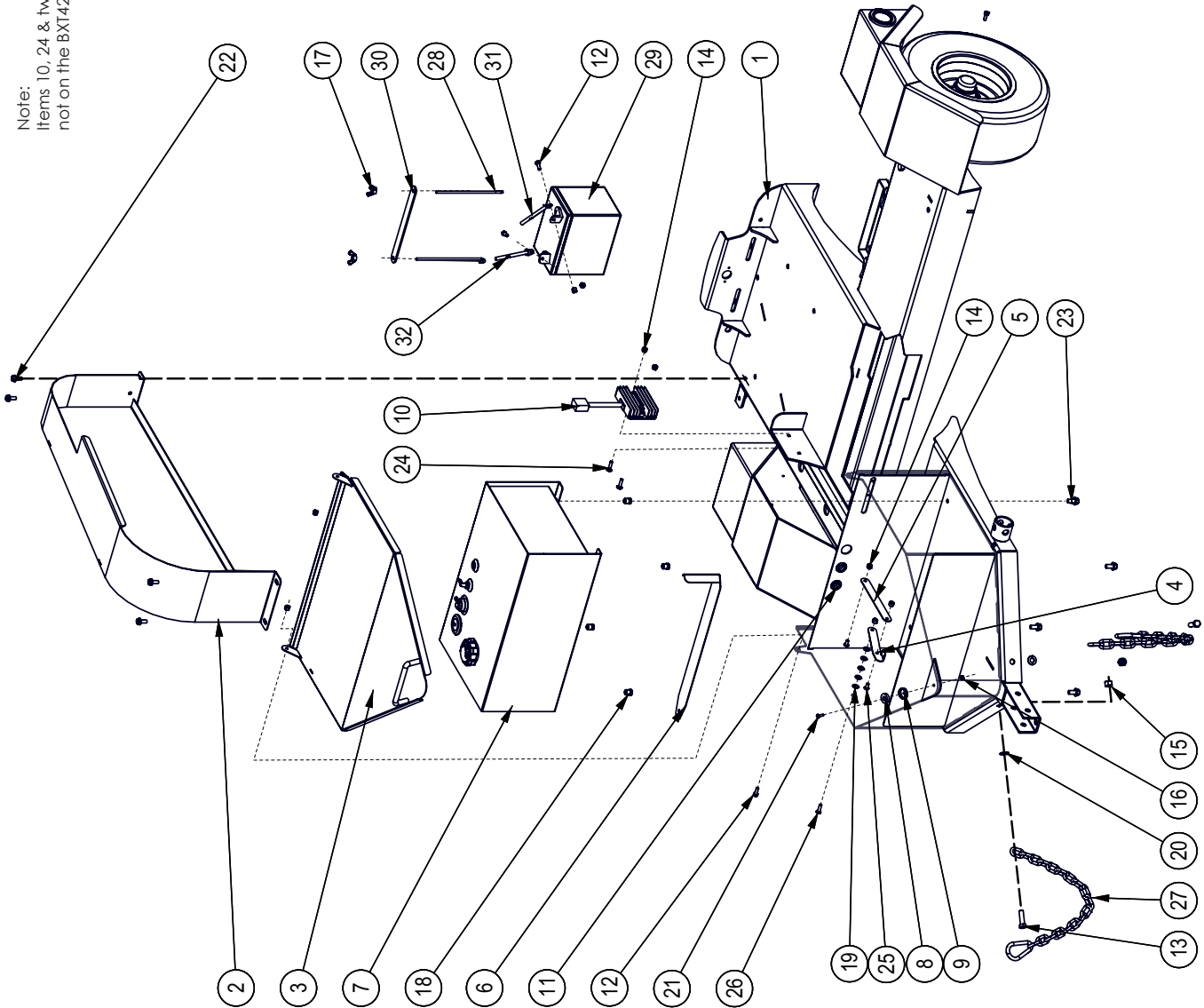
- Start all lugs by hand to prevent cross threading.
- Tighten lugs in sequence, per wheel lug torque sequence chart.
- The tightening of the fasteners should be done in stages. Following the recommended sequence, tighten fasteners per wheel torque requirements chart.

Wheel Torque Requirements				
Wheel Size	Torque Unit	1st Stage	2nd Stage	3rd Stage
8"	ft-lbs	12 - 20	30 - 35	45 - 55
	Nm	16 - 26	39 - 45.5	58.5 - 71.5
12"	ft-lbs	20 - 25	35 - 40	50 - 60
	Nm	26 - 32.5	45.5 - 52	65 - 78
13"	ft-lbs	20 - 25	35 - 40	50 - 60
	Nm	26 - 32.5	45.5 - 52	65 - 78
14"	ft-lbs	20 - 25	50 - 60	90 - 120
	Nm	26 - 32.5	65 - 78	117 - 156
15"	ft-lbs	20 - 25	50 - 60	90 - 120
	Nm	26 - 32.5	65 - 78	117 - 156
16"	ft-lbs	20 - 25	50 - 60	90 - 120
	Nm	26 - 32.5	65 - 78	117 - 156



Main Frame, Shield & Battery

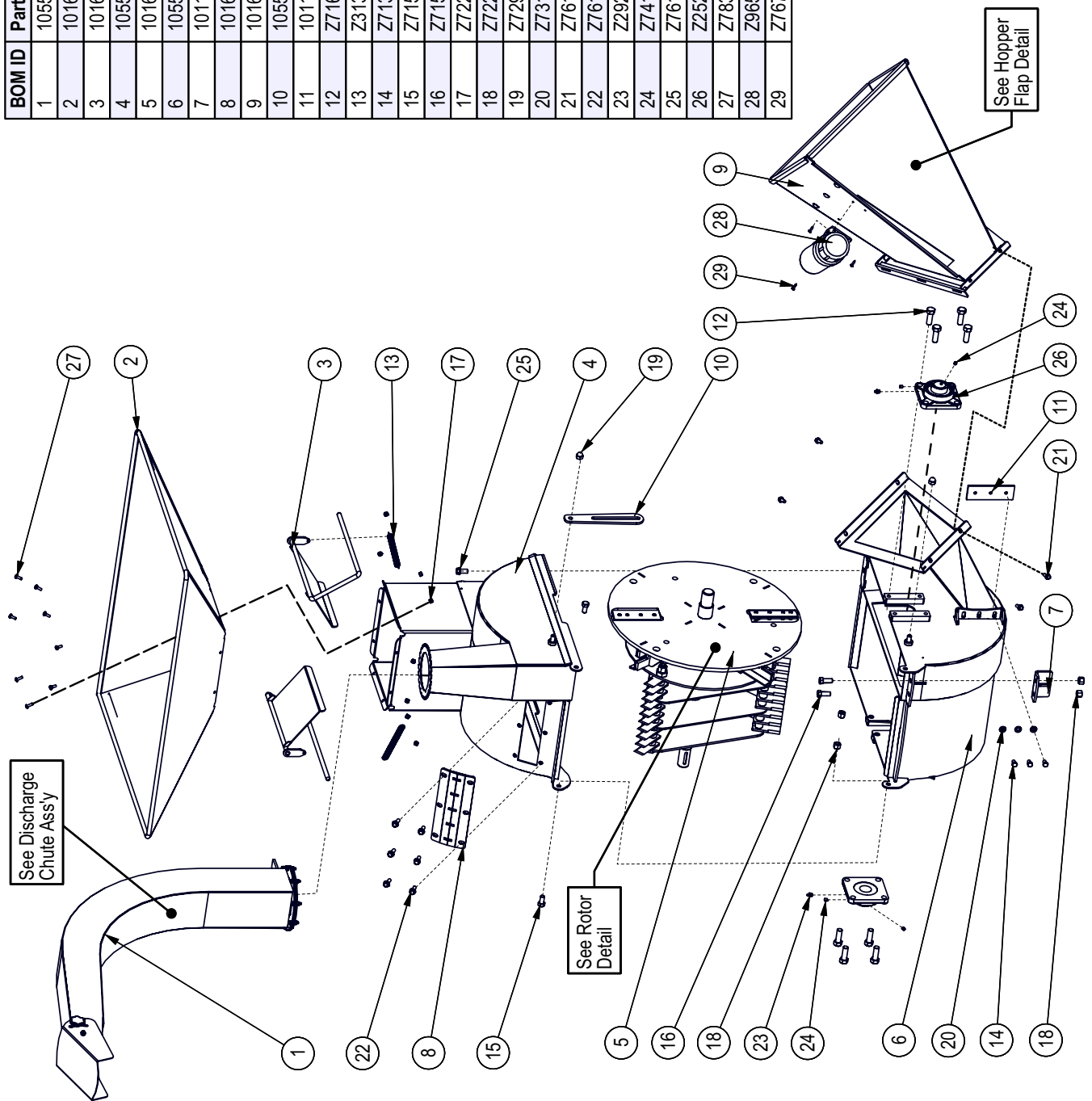
Note:
Items 10, 24 & two of 14 are
not on the BX14228su Model



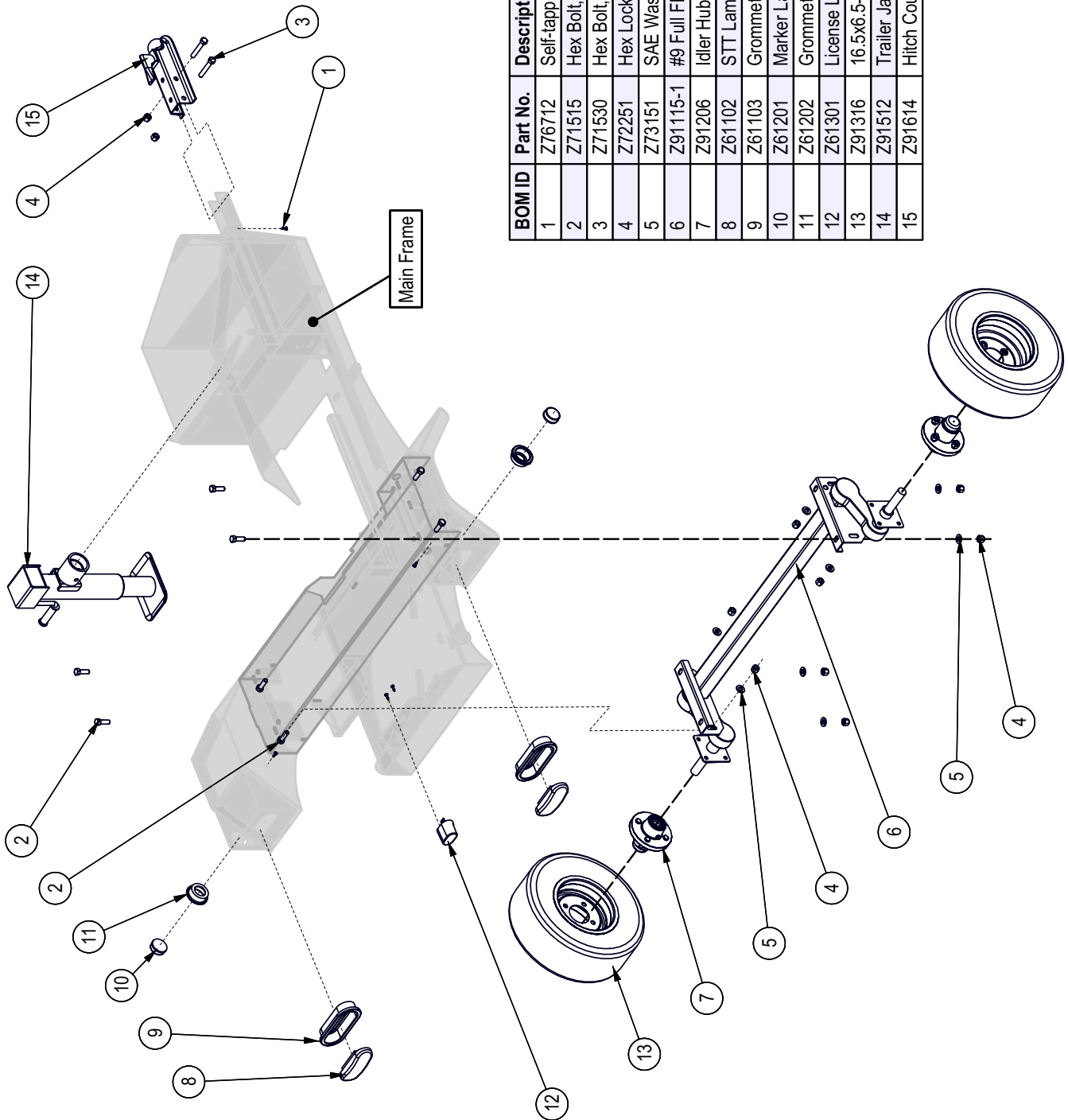
BOM ID	Part No.	Description	Qty
1	1055W503	Main Frame	1
2	1055W510	Belt Shield	1
3	1055W519	Tool Box Lid	1
4	1055L594	Lock Link, Toolbox Lid	1
5	1055L595	Link, Toolbox Lid	1
6	1012L269	Gauge, Ledger Setting	1
7	1052A501	Fuel Tank, Trailer Chippers EPA	1
8	Z19910	Puck Magnet, 1"	1
9	Z19911	Magnet Cup, 1" for Z19910	1
10	Z47901	Regulator Rectifier	1
11	Z62823	Rubber Grommet, 5/8" x 1/8"	2
12	Z71107	Hex Bolt, 1/4NC x 3/4"	4
13	Z71415	Hex Bolt, 7/16NC x 1-1/2"	2
14	Z72211	Hex Lock Nut, 1/4NC	9
15	Z72241	Hex Lock Nut, 7/16NC	2
16	Z72752	Machine Nut, #10NF	1
17	Z72921	Wing Nut, 1/4NC	2
18	Z72958	Rivet Nut, 3/8NC x 150	4
19	Z73111	SAE Washer, 1/4"	5
20	Z73142	SAE Washer, 7/16"	2
21	Z75203	FHCS, #10NF x 3/4"	1
22	Z76121	Flange Bolt, 5/16NC x 3/4"	4
23	Z76133	Flange Bolt, 3/8NC x 3/4"	4
24	Z76212	Carriage Bolt, 1/4NC x 1"	2
25	Z78317	Machine Screw, 1/4NC x 1/2"	2
26	Z78318	Machine Screw, 1/4NC x 7/8"	1
27	Z92303	Safety Chain, 1/4" x 2ft with Snap	2
28	Z93202	J-Hook, 1/4" x 7"	2
29	Z93204	Battery, 325CCA	1
30	Z93207	Hold-Down Strap, 1" x 8-1/2"	1
31	Z93213	Battery Cable, Negative x 36"	1
32	Z93214	Battery Cable, Positive x 36"	1

Blower Parts

BOM ID	Part No.	Description	Qty
1	1055A502	Assembly, Discharge Chute	1
2	1016W627	Hopper, Shredder	1
3	1016W625	Flapper	2
4	1055W517	Housing, Upper Rotor	1
5	1016W603	Rotor	1
6	1055W518	Housing, Bottom Rotor	1
7	1011W104	Twig Breaker	1
8	1016W634	Chop Block	1
9	1016W632	Chipper Feed Hopper	1
10	1055L598	Positive Stop Plate	1
11	1011M104	Knife, 4" Ledger	1
12	Z71672G8	Hex Bolt, 5/8NF x 1-3/4" G8	8
13	Z31301	Ext Spring, 17mm OD x 140mm x 0.080"	2
14	Z71372G8	Hex Bolt, 3/8NF x 5/8" G8	3
15	Z71510	Hex Bolt, 1/2NC x 1"	2
16	Z71512	Hex Bolt, 1/2NC x 1-1/4"	2
17	Z72211	Hex Lock Nut, 1/4NC	8
18	Z72251	Hex Lock Nut, 1/2NC	4
19	Z72915	Acorn Nut, 1/2NC	2
20	Z73131	SAE Washer, 3/8"	3
21	Z76121	Flange Bolt, 5/16NC x 3/4"	4
22	Z76134	Flange Bolt, 3/8NC x 1"	6
23	Z9201	Grease Fitting, MP02	2
24	Z74122	Set Screw, 5/16NF x 3/8"	4
25	Z76153	Flange Bolt, 1/2NC x 1"	1
26	Z5204	4-Bolt Flange Bearing, UCF208-24	2
27	Z78301	Machine Screw, 1/4NC x 3/4"	8
28	Z96503	Manual Tube, 3-1/2" Short	1
29	Z76712	Self-tapping Screw, #10 x 3/4"	3

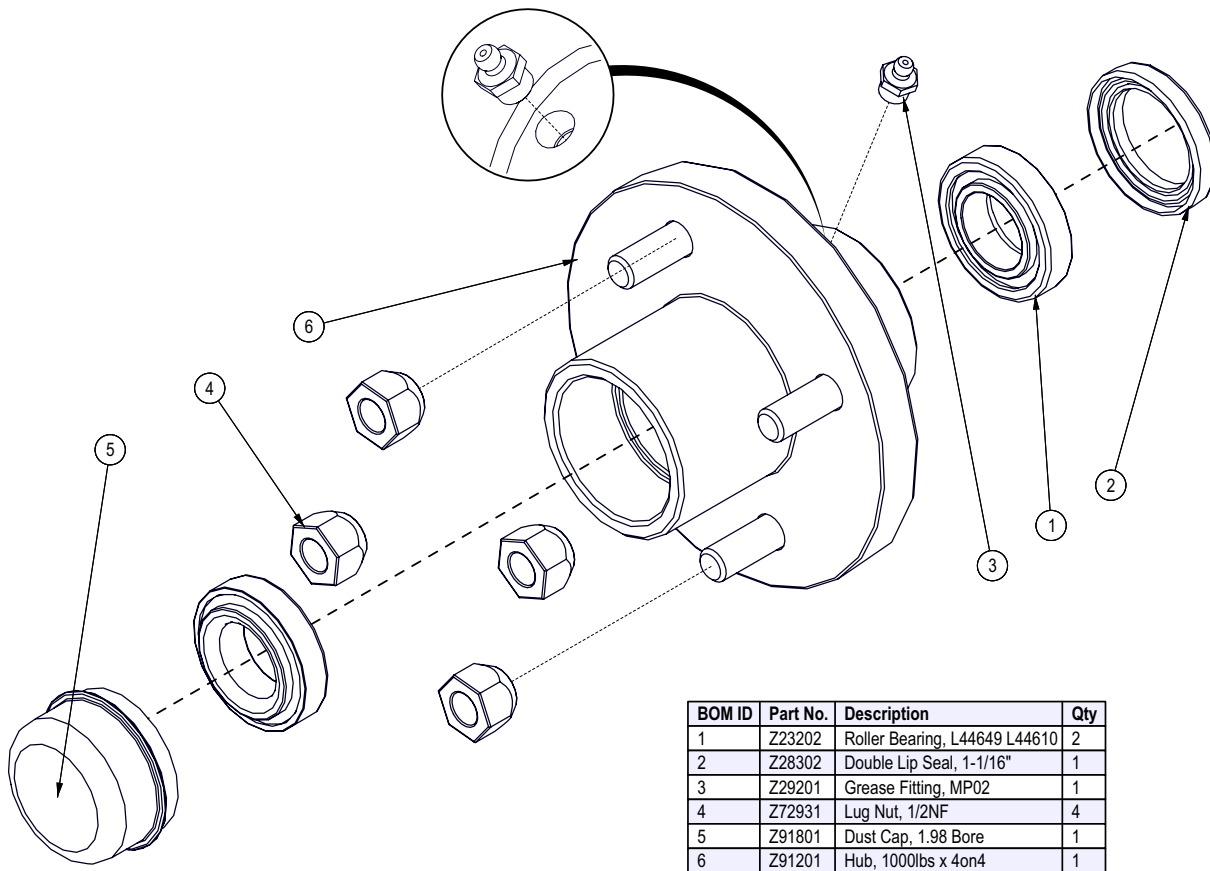


Running Gear

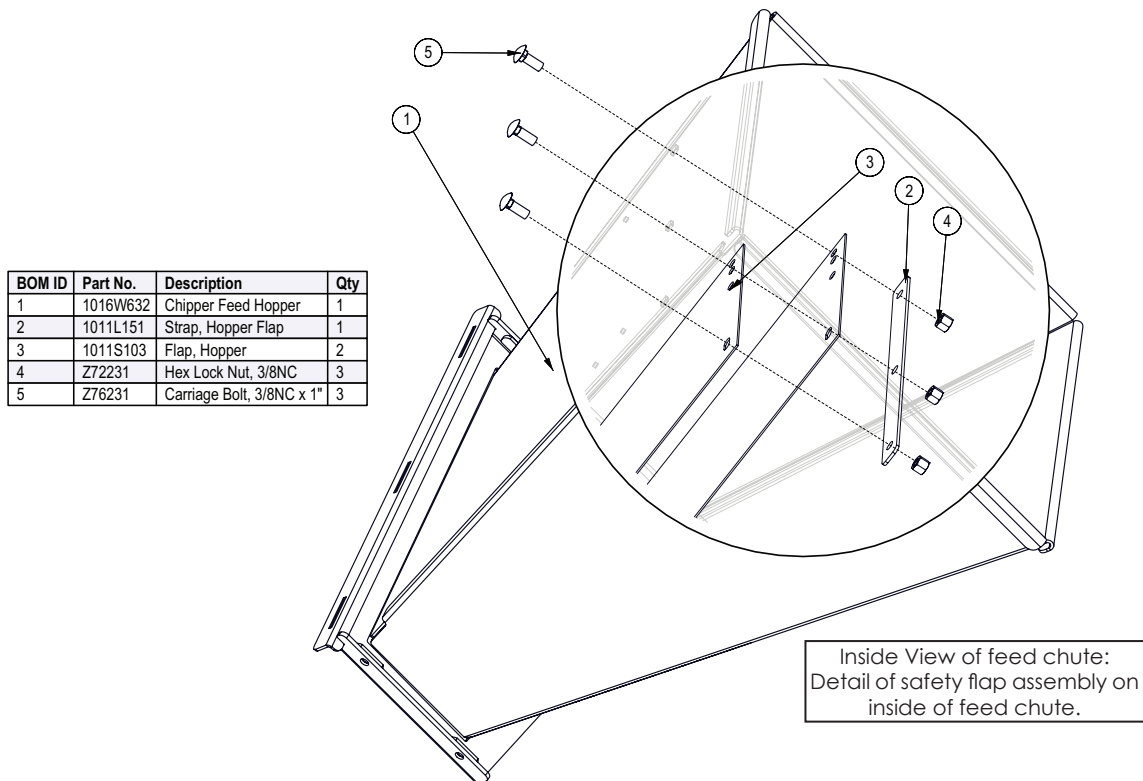


BOM ID	Part No.	Description	Qty
1	Z76712	Self-tapping Screw, #10 x 3/4"	5
2	Z71515	Hex Bolt, 1/2NC x 1-1/2"	8
3	Z71530	Hex Bolt, 1/2NC x 3"	2
4	Z72251	Hex Lock Nut, 1/2NC	10
5	Z73151	SAE Washer, 1/2"	8
6	Z91115-1	#9 Full Flex Axle, 2200lbs x 54" HF Axle Only	1
7	Z91206	Idle Hub Assy, 1000lbs x 4on4" x 1-1/16"	2
8	Z61102	STT Lamp, Oval	2
9	Z61103	Grommet, Oval x Open Back	2
10	Z61201	Marker Lamp, Round x Red	2
11	Z61202	Grommet, Round x Open Back	2
12	Z61301	License Lamp, White	1
13	Z91316	16.5x6.5-8 LRC USA Trail 4on4"	2
14	Z91512	Trailer Jack, Side Wind x 2000lbs	1
15	Z91614	Hitch Coupler, 2" Ball x 2" x 3500lbs	1

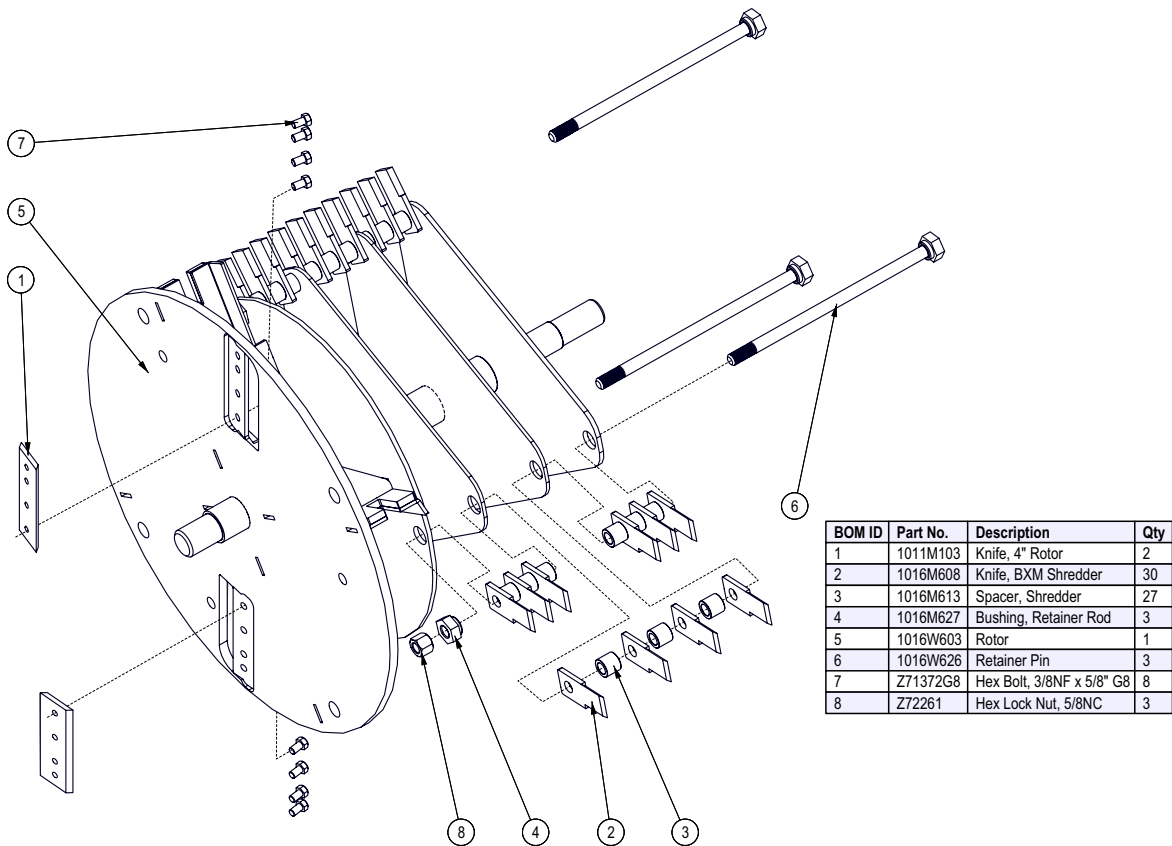
Idler Hub Assembly



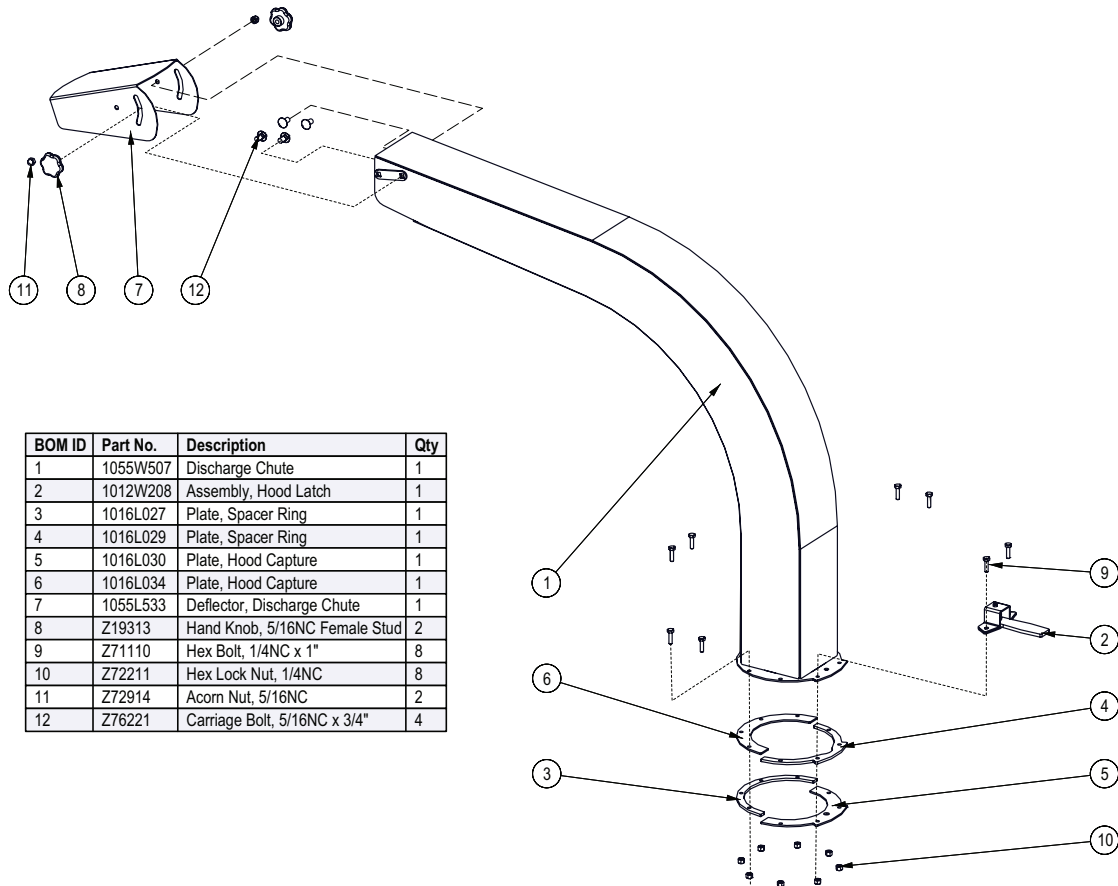
Chipper Feed Hopper Flap Detail



Rotor

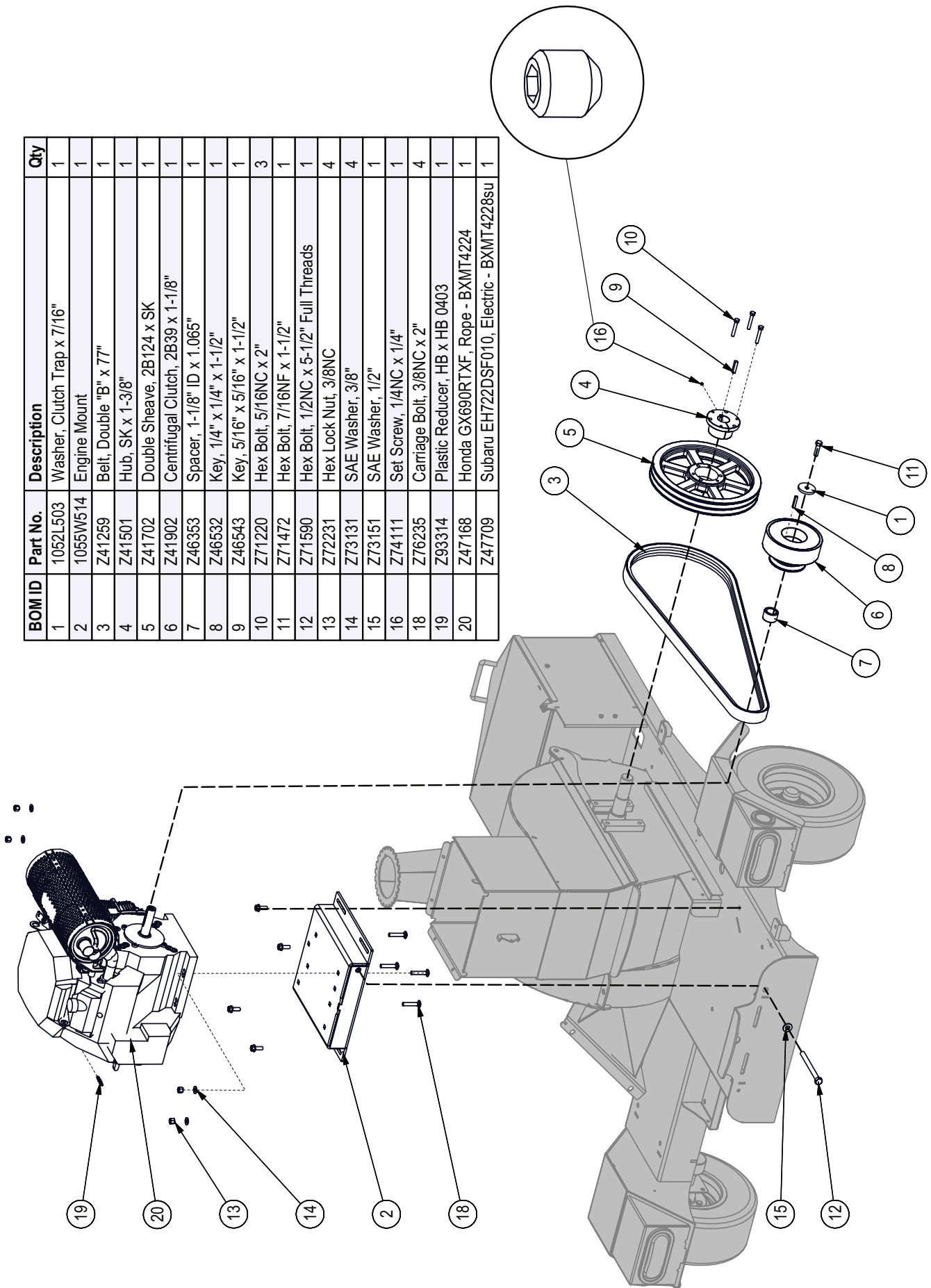


Discharge Chute Assembly



Engine & Driveline

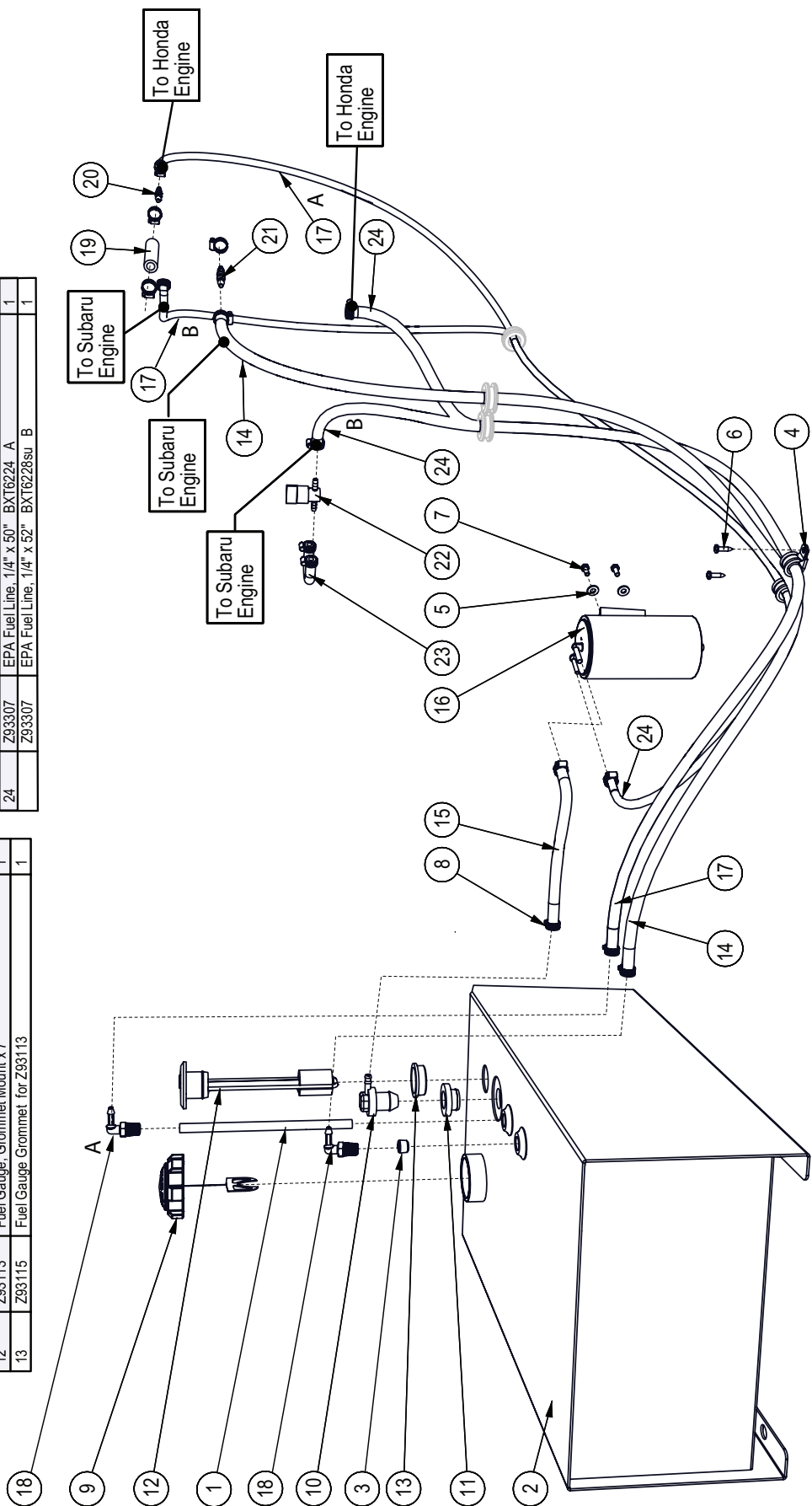
BOM ID	Part No.	Description	Qty
1	1052L503	Washer, Clutch Trap x 7/16"	1
2	1055W514	Engine Mount	1
3	Z41259	Belt, Double "B" x 77"	1
4	Z41501	Hub, SK x 1-3/8"	1
5	Z41702	Double Sheave, 2B124 x SK	1
6	Z41902	Centrifugal Clutch, 2B39 x 1-1/8"	1
7	Z46353	Spacer, 1-1/8" ID x 1.065"	1
8	Z46532	Key, 1/4" x 1/4" x 1-1/2"	1
9	Z46543	Key, 5/16" x 5/16" x 1-1/2"	1
10	Z71220	Hex Bolt, 5/16NC x 2"	3
11	Z71472	Hex Bolt, 7/16NF x 1-1/2"	1
12	Z71590	Hex Bolt, 1/2NC x 5-1/2" Full Threads	1
13	Z72231	Hex Lock Nut, 3/8NC	4
14	Z73131	SAE Washer, 3/8"	4
15	Z73151	SAE Washer, 1/2"	1
16	Z74111	Set Screw, 1/4NC x 1/4"	1
18	Z76235	Carriage Bolt, 3/8NC x 2"	4
19	Z93314	Plastic Reducer, HB x HB 0403	1
20	Z47168	Honda GX690RTXF, Rope - BXMT4224	1
	Z47709	Subaru EHT22DSF010, Electric - BXMT4228su	1

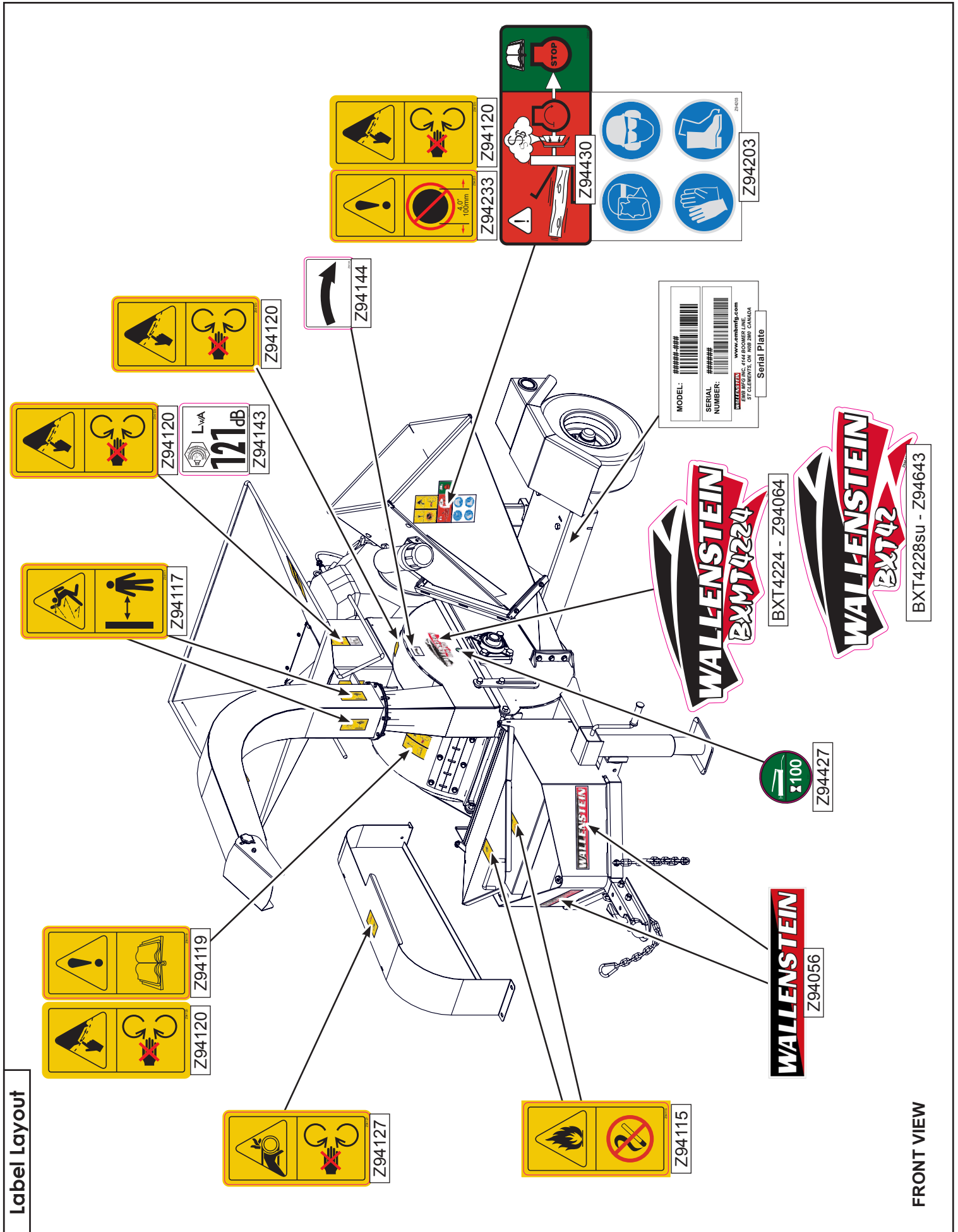


Fuel Tank Assembly & Fuel Lines

BOM ID	Part No.	Description	Qty
1	1062S501	Fuel Pickup Tube	1
2	1052W501	Fuel Tank, Trailer Chipper	1
3	Z51194	Socket Plug, MP 04	1
4	Z62821	Rubberized Wire Clamp, 5/8"	2
5	Z73111	SAE Washer, 1/4"	2
6	Z76712	Self-tapping Screw, #10 x 3/4"	2
7	Z77130	Hex Bolt, M6x1.0 x 14mm	2
8	Z79405	Hose Clamp, SAE #4 (5/8") BXT6224	8
9	Z79405	Hose Clamp, SAE #4 (5/8") BXT6228su	11
10	Z93108	EPA Ratchet Fuel Cap, Unleaded Fuel x Unvented with Teether	1
11	Z93110	EPA Remote Vent, HB04	1
12	Z93111	Vent Grommet For Z93110	1
13	Z93113	Fuel Gauge, Grommet Mount x 7"	1
	Z93115	Fuel Gauge Grommet for Z93113	1

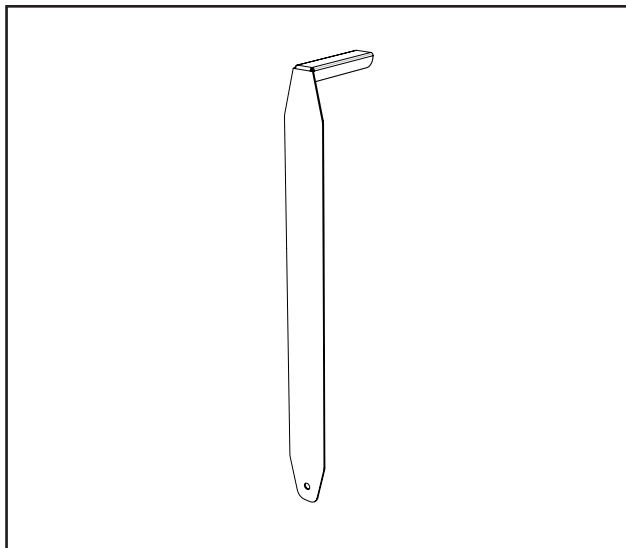
BOM ID	Part No.	Description	Qty
14	Z93307	EPA Fuel Line, 1/4" x 55" BXT6228su	1
15	Z93307	EPA Fuel Line, 1/4" x 8"	1
16	Z93309	EPA Carbon Canister, 652cc	1
17	Z93310	EPA Fuel Line, 3/16" x 68" BXT6224 A	1
	Z93310	EPA Fuel Line, 3/16" x 69" BXT6228su B	1
18	Z93312	Plastic Elbow 90, MP x HB 0404 BXT6224 A	1
	Z93312	Plastic Elbow 90, MP x HB 0404 BXT6228su	2
19	Z93313	Fuel Line, 3/8" ID x 3" BXT6224 Only	1
20	Z93314	Plastic Reducer, HB x HB 0403 BXT6224 Only	1
21	Z93317	Plastic Coupling, HB x HB 0404 BXT6228su Only	1
22	Z93301	Fuel Shut-Off Valve, 1/4" BXT6228su Only	1
23	Z93307	EPA Fuel Line, 1/4" ID x 4" BXT6228su Only	1
24	Z93307	EPA Fuel Line, 1/4" x 50" BXT6224 A	1
	Z93307	EPA Fuel Line, 1/4" x 52" BXT6228su B	1





Accessories

Call your dealer for pricing and availability



#1012L269 LEDGER CLEARANCE SETTING GAUGE

**#Z97027
TRAILER CHIPPER-SHREDDER
OPERATOR'S MANUAL**

Available as a download at
www.wallensteinequipment.com