



BX42S Chipper Parts Manual

Prior to S/N 142S00843



Foreword

EMB Mfg. has prepared this parts manual to assist customers in ordering quality OEM replacement parts.

Proper and regular service and replacing old, worn or broken parts with the correct Wallenstein parts are essential to prolonging the life of your Wallenstein product. Please refer to this manual before ordering any replacement parts.

All information contained in this parts manual is based on the latest product specification available at the time of printing this manual. If your product differs from the specifications contained within this manual contact EMB Mfg. for information.

EMB reserves the right to alter specifications on their products at any time.

Reproduction of this parts manual of any kind is prohibited without prior written permission from EMB Mfg.

Note: Products with factory installed light kits will have a VIN number included. The last six numbers of this VIN number are the splitters serial number

Example: 2E9US1112BSXXXXXX

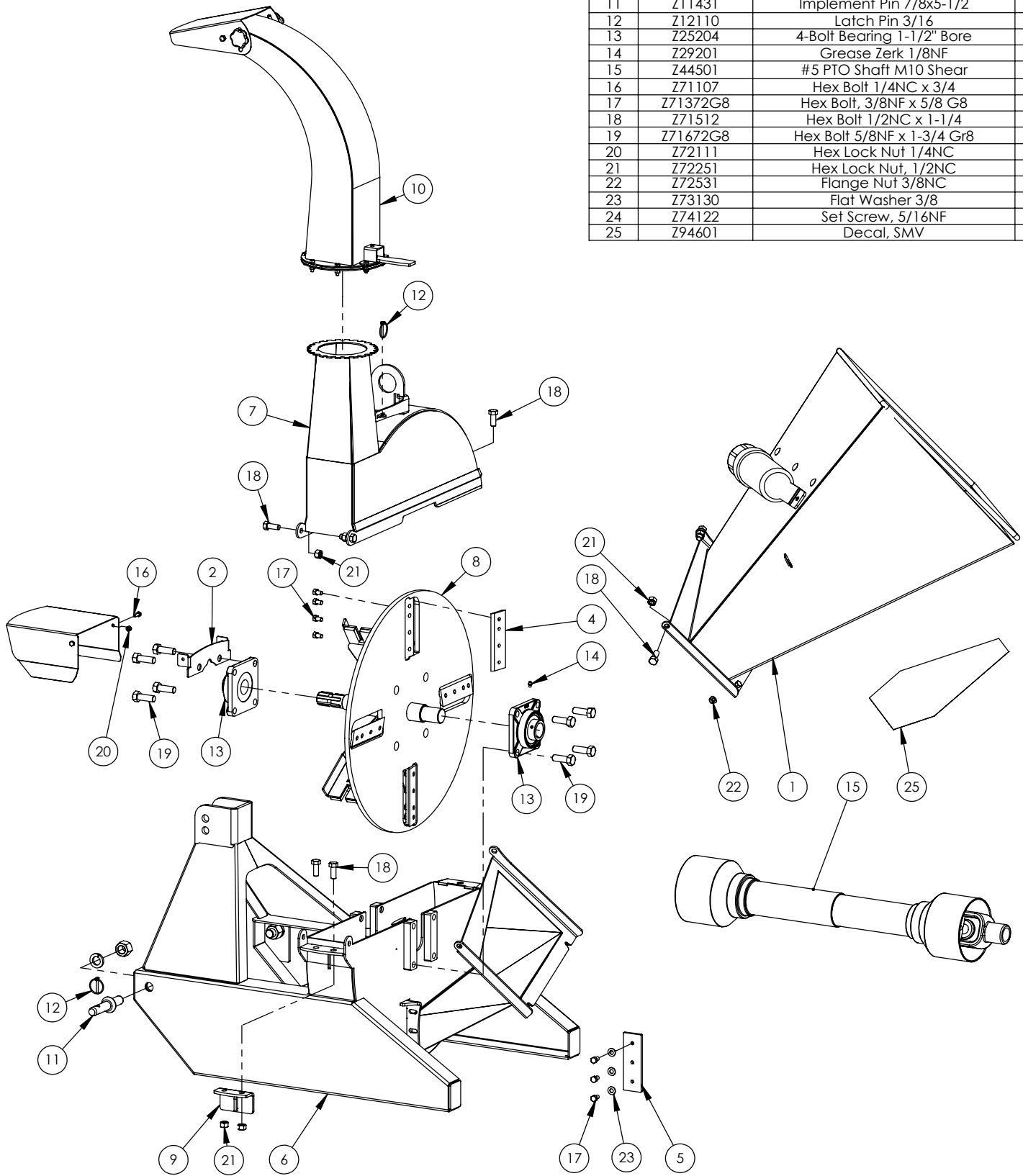
Table of Contents

| | |
|---------------------------------|----|
| Main Parts Breakdown | 5 |
| Discharge Chute Parts Breakdown | 6 |
| Hopper Parts Breakdown | 7 |
| Binacchi PTO Parts Breakdown | 8 |
| Decal Breakdown | 10 |

This Page is Intentionally Blank

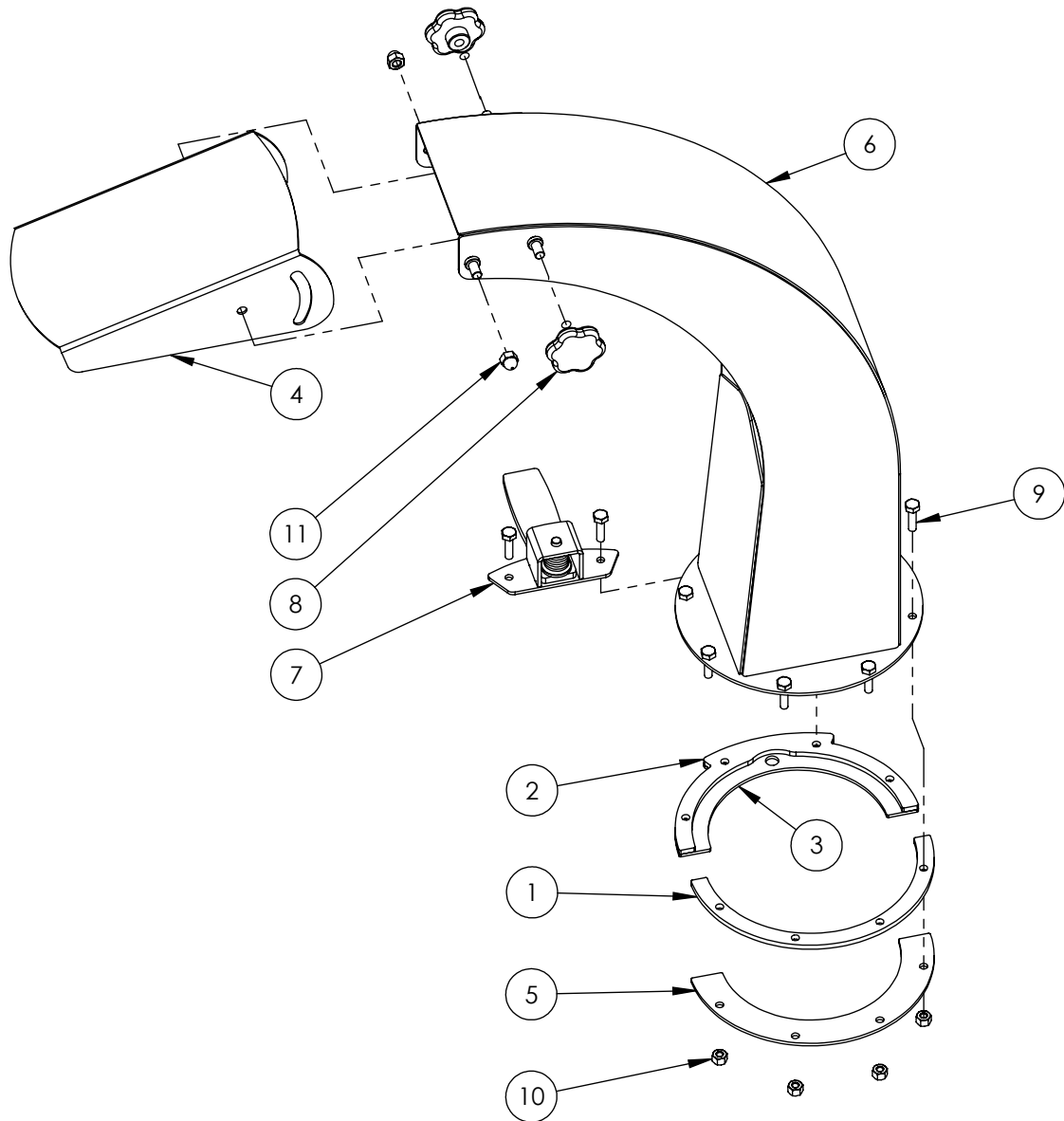
BX42 MAIN PARTS BREAKDOWN

| ITEM | PART NO. | DESCRIPTION | QTY |
|------|----------|----------------------------|-----|
| 1 | 1011A102 | Self-Feed Hopper | 1 |
| 2 | 1011L106 | Bracket, PTO Cover Mount | 1 |
| 3 | 1011L112 | PTO Cover | 1 |
| 4 | 1011M103 | Knife, 4" Rotor | 4 |
| 5 | 1011M104 | Knife, 4" Ledger | 1 |
| 6 | 1011W101 | Housing, Bottom Rotor | 1 |
| 7 | 1011W102 | Housing, Upper Rotor | 1 |
| 8 | 1011W103 | Rotor | 1 |
| 9 | 1011W104 | Twig Breaker | 1 |
| 10 | 1011A101 | Assembly, Discharge Chute | 1 |
| 11 | Z11431 | Implement Pin 7/8x5-1/2 | 2 |
| 12 | Z12110 | Latch Pin 3/16 | 3 |
| 13 | Z25204 | 4-Bolt Bearing 1-1/2" Bore | 2 |
| 14 | Z29201 | Grease Zerk 1/8NF | 2 |
| 15 | Z44501 | #5 PTO Shaft M10 Shear | 1 |
| 16 | Z71107 | Hex Bolt 1/4NC x 3/4 | 2 |
| 17 | Z71372G8 | Hex Bolt, 3/8NF x 5/8 G8 | 19 |
| 18 | Z71512 | Hex Bolt 1/2NC x 1-1/4 | 7 |
| 19 | Z71672G8 | Hex Bolt 5/8NF x 1-3/4 Gr8 | 8 |
| 20 | Z72111 | Hex Lock Nut 1/4NC | 2 |
| 21 | Z72251 | Hex Lock Nut, 1/2NC | 7 |
| 22 | Z72531 | Flange Nut 3/8NC | 2 |
| 23 | Z73130 | Flat Washer 3/8 | 3 |
| 24 | Z74122 | Set Screw, 5/16NF | 4 |
| 25 | Z94601 | Decal, SMV | 1 |



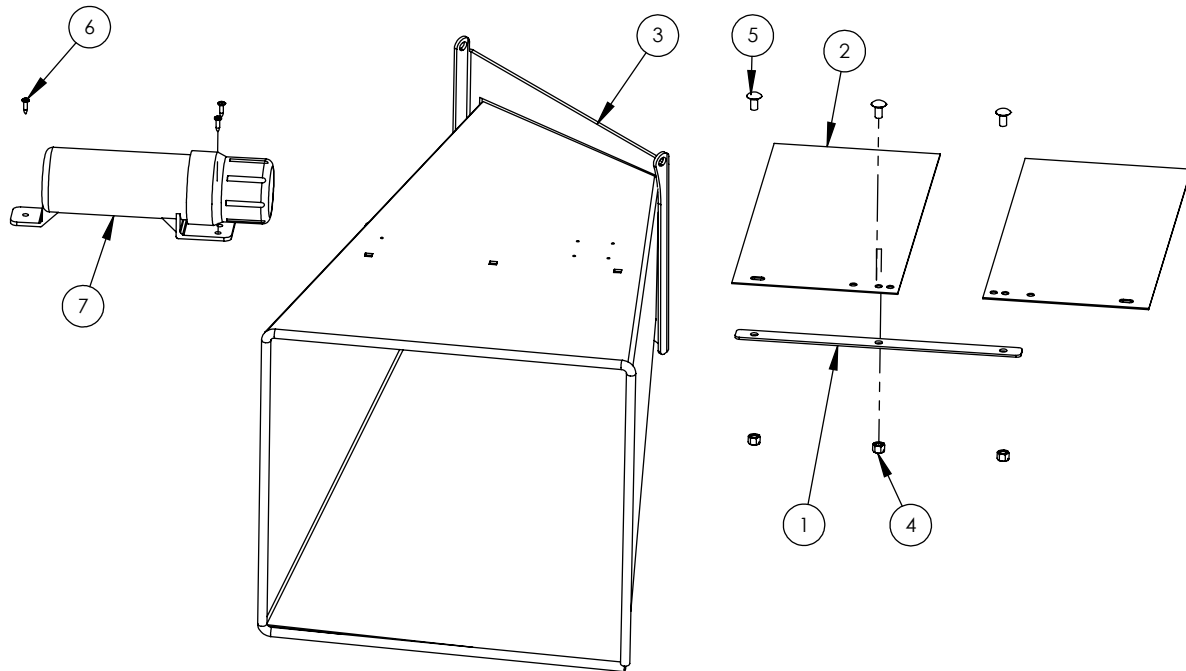
BX42 DISCHARGE CHUTE PARTS BREAKDOWN

| ITEM | PART NO. | DESCRIPTION | QTY |
|------|----------|----------------------------|-----|
| 1 | 1011L127 | Plate, Spacer Ring | 1 |
| 2 | 1011L129 | Plate, Spacer Ring | 1 |
| 3 | 1011L130 | Plate, Hood Capture | 1 |
| 4 | 1011L133 | Deflector, Discharge Chute | 1 |
| 5 | 1011L134 | Plate, Hood Capture | 1 |
| 6 | 1011W106 | Discharge Chute | 1 |
| 7 | 1012W208 | Assembly, Hood Latch | 1 |
| 8 | Z19313 | Knob, 5/16NC Female Stud | 2 |
| 9 | Z71110 | Hex Bolt 1/4NC x 1 | 8 |
| 10 | Z72111 | Hex Lock Nut 1/4NC | 8 |
| 11 | Z72914 | Acorn Nut, 5/16NC | 2 |

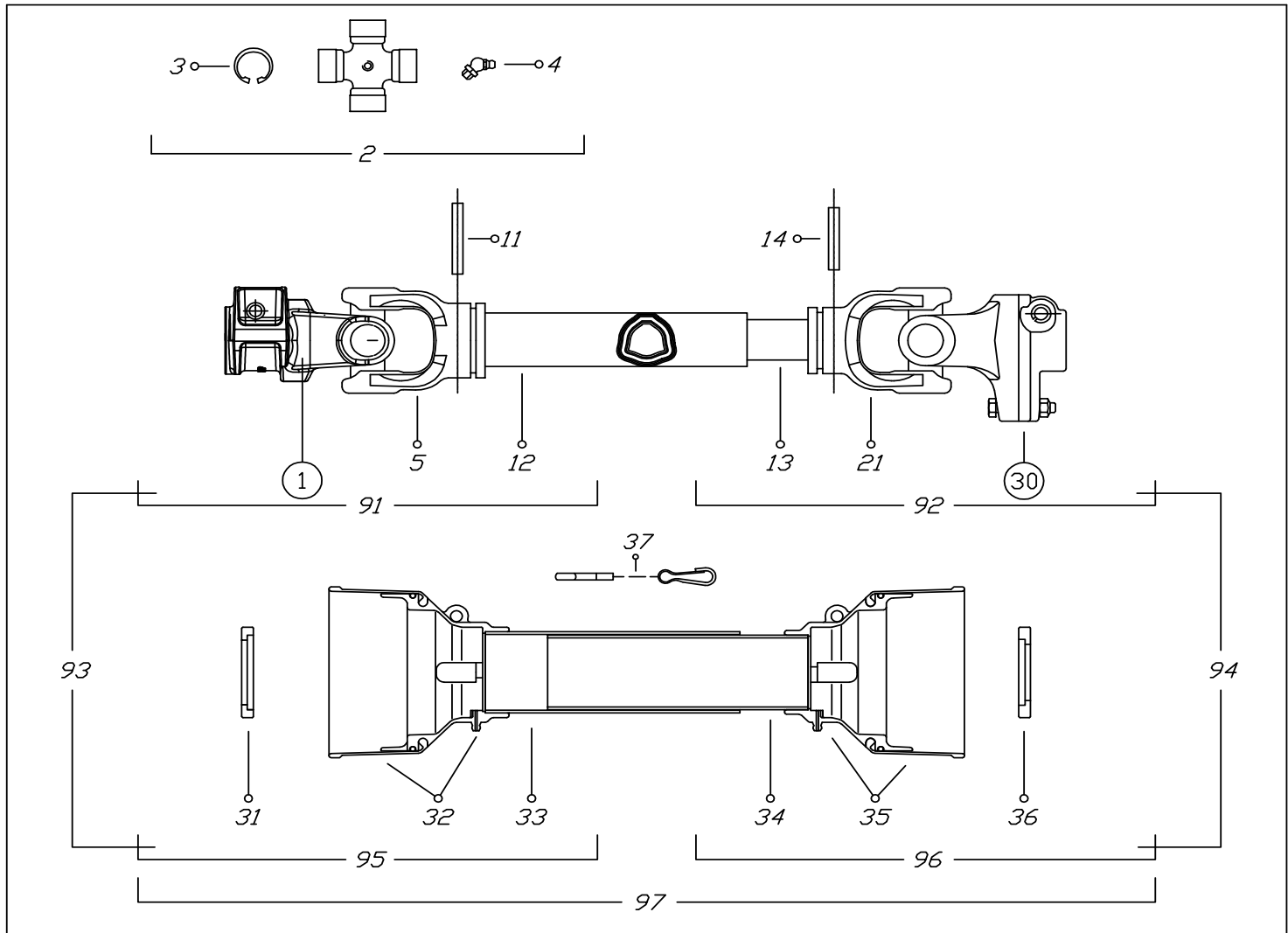


HOPPER PARTS BREAKDOWN

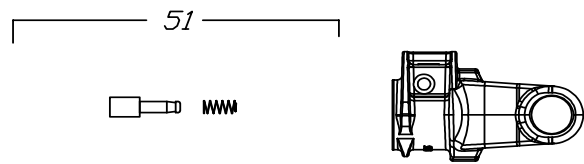
| ITEM | PART NO. | DESCRIPTION | QTY |
|------|----------|---------------------------|-----|
| 1 | 1011L151 | Strap, Hopper Flap | 1 |
| 2 | 1011S103 | Flap, Hopper | 2 |
| 3 | 1011W107 | Weldment, Infeed Hopper | 1 |
| 4 | Z72231 | Hex Lock Nut 3/8NC | 3 |
| 5 | Z76233 | Carriage Bolt 3/8NC x 3/4 | 3 |
| 6 | Z76712 | Self-tapping Screw #10 | 3 |
| 7 | Z96503 | Manual Tube 3-1/2 Short | 1 |



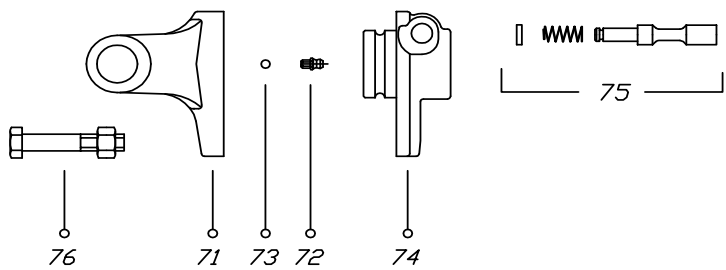
Binacchi PTO Parts Breakdown



①



③①



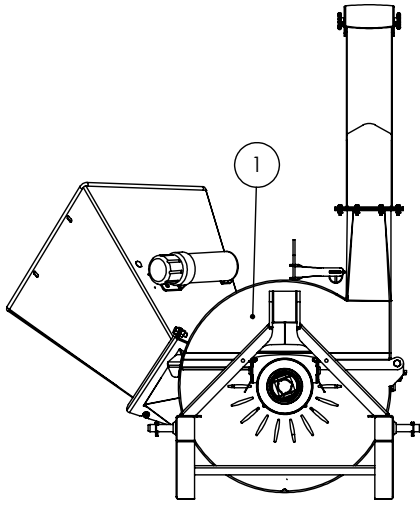
Binacchi PTO Parts List

| BINACCHI PTO SPARE PARTS LIST : B5090E098002 | | | |
|---|----------------------------------|-----------|-----------------|
| POS. | DESCRIPTION | Q. | PART # |
| 01 | YOKE | 1 | 0800503 |
| 02 | CROSS JOURNAL ASSY | 2 | 08205 |
| 03 | CIRCLIP | 8 | 09802030 |
| 04 | GREASE NIPPLE | 2 | 09840081002 |
| 05 | OUTER TUBE YOKE | 1 | 08005021 |
| 11 | FLEXIBLE PIN | 1 | 098700870 |
| 12 | CM. 100 CARDAN TUBE(*) | 1 | 09881523100 |
| 13 | CM. 100 CARDAN TUBE(*) | 1 | 09881454100 |
| 14 | FLEXIBLE PIN | 1 | 098700865 |
| 21 | INNER TUBE YOKE | 1 | 08005011 |
| 30 | SHEAR BOLT | 1 | 08805A604633 |
| 31 | O.BEARING | 1 | 0265150007 |
| 32 | O.BASIC CONE | 1 | 0256050324 |
| 33 | OUTER SAFETY TUBE | 1 | 0988981B5090 |
| 34 | INNER SAFETY TUBE | 1 | 0988975B5090 |
| 35 | I.BASIC CONE | 1 | 0256050325 |
| 36 | I.BEARING | 1 | 0265150008 |
| 37 | CHAIN | 1 | 0252000001 |
| 51 | COMPLETE PUSH BUTTTON | 1 | 0986014047 |
| 71 | YOKE FOR LB5 | 1 | 08896905 |
| 72 | GREASE NIPPLE | 1 | 0984010150 |
| 73 | STEEL BALL | 23 | 098680104 |
| 74 | HUB | 1 | 088965A60 |
| 75 | PUSH PIN SET | 1 | 0986014075 |
| 76 | NUT AND BOLT M10 X 1.5 X 55 10.9 | 1 | Z19407 (5 PACK) |
| 91 | OUTER HALF SHAFT | 1 | B509002 |
| 92 | INNER HALF SHAFT | 1 | B509001098002 |
| 93 | OUTER HALF SHAFT | 1 | B5090E2 |
| 94 | INNER HALF SHAFT | 1 | B5090E1098002 |
| 95 | OUTER HALF SAFETY GUARD | 1 | 083E050902 |
| 96 | INNER HALF SAFETY GUARD | 1 | 083E050901 |
| 97 | SAFETY GUARD | 1 | 083E05090 |

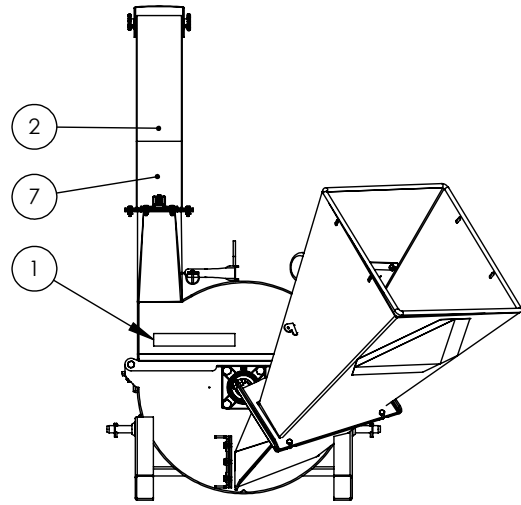
Note: Always check brand of PTO shaft when ordering PTO parts. For other brands then the Binacchi shafts shown above please call the factory @ 877-695-9283.

BX42S DECAL BREAKDOWN

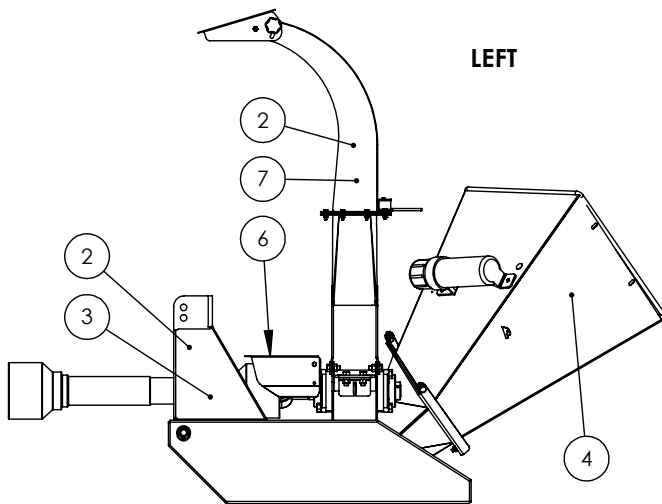
| ITEM | PART NO. | DESCRIPTION | QTY |
|------|----------|------------------------------------|-----|
| 1 | Z94056 | WALLENSTEIN Decal | 2 |
| 2 | Z94019 | 1" Dia. Made In Canada | 5 |
| 3 | Z94170 | BX42S Model | 2 |
| 4 | Z94007 | DANGER - Rotating Blades | 3 |
| 5 | Z94006 | CAUTION - Read Manual | 1 |
| 6 | Z94009 | DANGER - Rotating Driveline Hazard | 1 |
| 7 | Z94008 | DANGER - Thrown Object Hazard | 3 |
| 8 | Z94601 | SMV Decal | 1 |



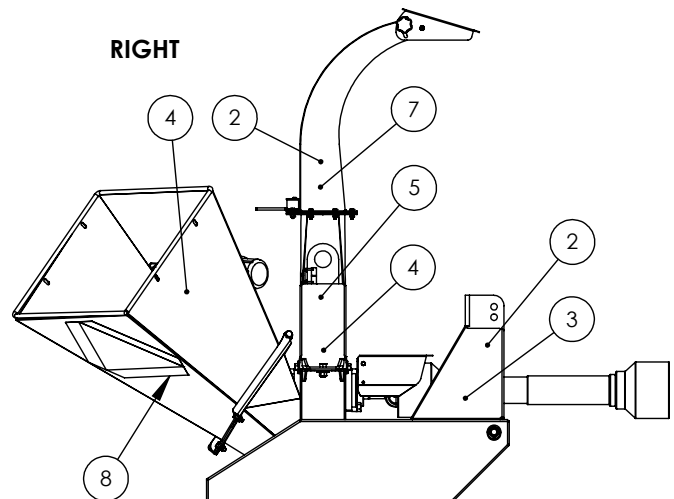
FRONT



BACK



LEFT



RIGHT

Decals BX42S

Z94006

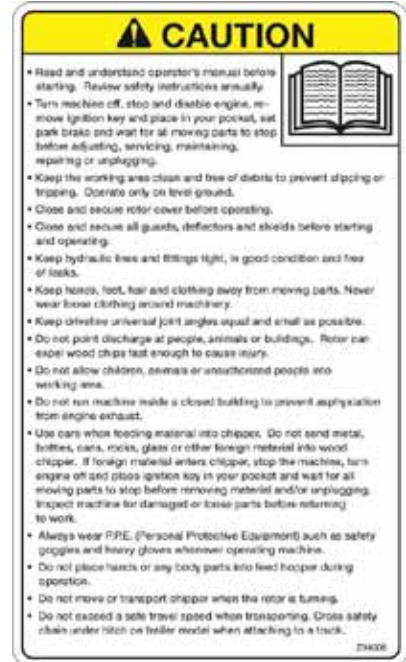
Z94056



Z94170



Z94019



Z94007



Z94601



Z94009



Z94008





WALLENSTEIN Products Manufactured by:

EMB MFG Inc.

4144 Boomer Line
St. Clements, Ontario
Canada N0B 2M0
Phone: 1-877-695-9283
Fax: 519-699-4146
www.embmfg.com